

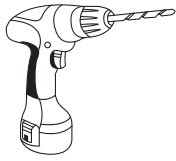
# CORD LOOP Outdoor Blinds

## Manual Installation Guide

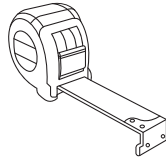
### ◆ TOOLS REQUIRED



Screw Driver



Drill



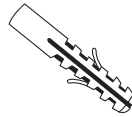
Tape Measure



Pencil

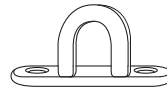


Screws

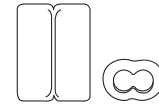


Wall Plug

### ◆ HARDWARE & PARTS INCLUDED



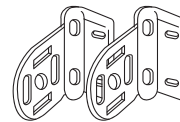
Stainless Steel Brackets



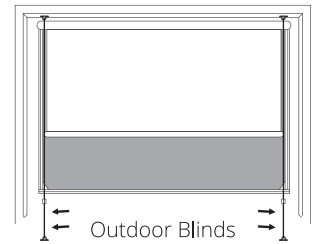
Wire Clips



2 pcs Cables

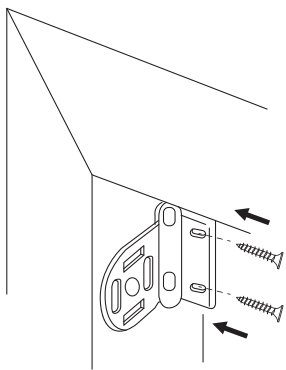


Brackets

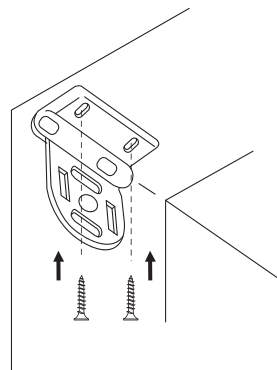


Outdoor Blinds

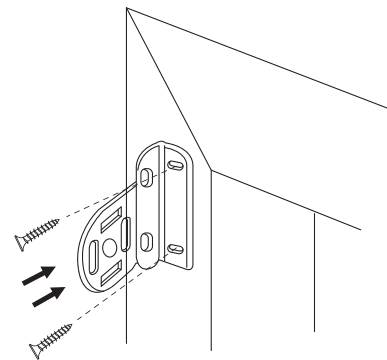
### ◆ STEP 1 - MOUNT THE BRACKETS



**Inside Mount  
(Side Mount)**



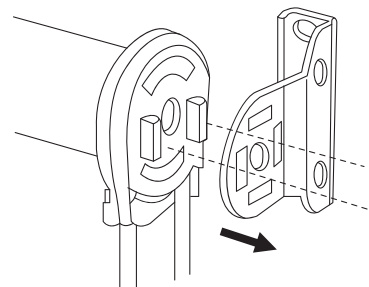
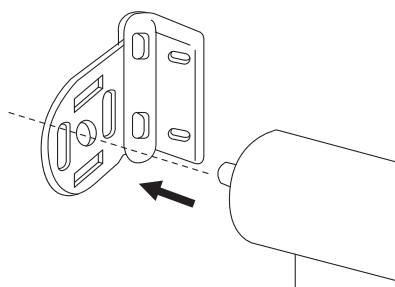
**Inside Mount  
(Top Mount)**



**Outside Mount**

Attach the brackets to the window frame, molding or ceiling as shown. The brackets are "universal" - there are no "right" and "left" brackets. Mark the screw locations with a pencil - pre-drill the screw holes using a 0.2cm drill bit.

### ◆ STEP 2 - INSTALL THE SHADE



Put the spring loaded pin into the round hole of the bracket, push the spring loaded tip into the bracket, and then insert the hook arms on the opposite side of the shade into the two hook arm receiver holes of the bracket.

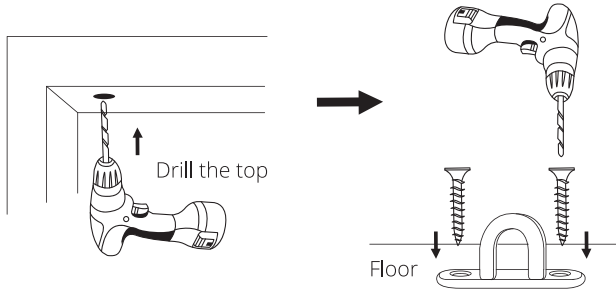
Once the two hook arms are through the holes, gently pull down until the two hook arms have locked securely to the bracket.

For cord control shades, the bottom of the clutch should always point straight down.

# CORD LOOP Outdoor Blinds

## Manual Installation Guide

### ◆ STEP 3 - DRILL AND SCREWS BRACKETS



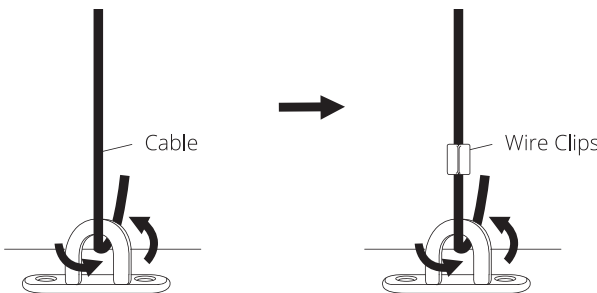
Drill the top

Floor

Setup the location and install the brackets at the right spot of the floor and ceiling where you have decide to install your blinds.

Do marking properly, then drill holes and screws on the stainless steel bracket.

### ◆ STEP 4 - DRILL AND SCREWS BRACKETS

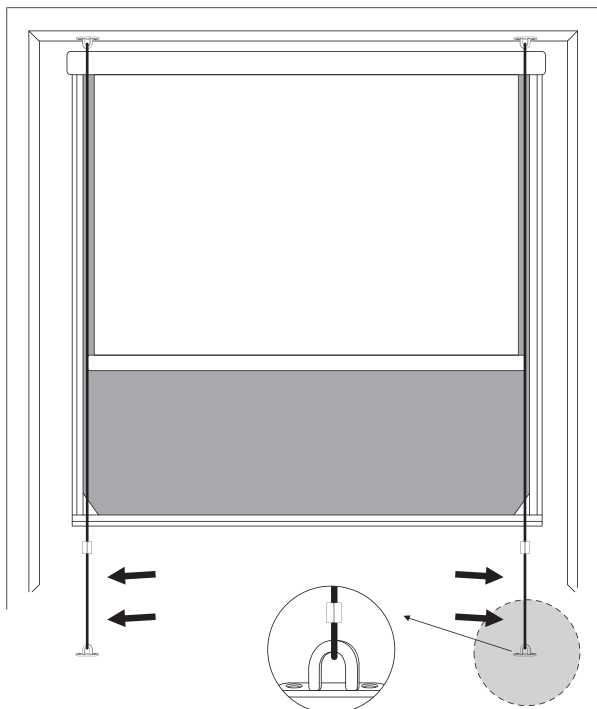


Cable

Wire Clips

Screw the bracket to the floor and ceiling and make sure the bracket is installed properly. Tie up the cable tightly and add one wire clips to fix it.

### ◆ STEP 5 - HOLD DOWN BRACKETS FOR OUTDOOR SHADES

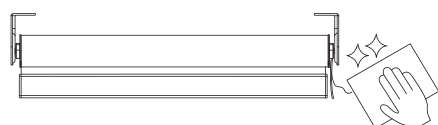


Outdoor Blinds

Pulling gently on the cord in one direction raises the shade; pulling it in the other direction lowers it. On shades where the fabric rolls against the window, the front cord lifts the shade.

On shades where the fabric rolls toward the room, the rear cord lifts the shade.


### ◆ CLEANING INSTRUCTIONS



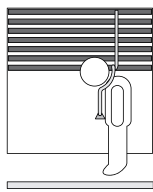
For regular maintenance, use a duster or a vacuum with a brush attachment and run it over the front and back of the shade.

To spot clean stains, use a damp rag with a very mild, gentle detergent or soap. Dab at the affected spots. Let the dampened area air-dry and repeat as necessary.

### ◆ CHILD SAFETY WARNING



**WARNING**



Corded window blinds and shades can be a strangulation risk or cause serious injury to young children and pets.

- Keep cords up and away from your child's reach.
- Always use cord cleats with corded products.
- Secure child-safe tensioners for continuous cord loop chains to the wall or window encasement.