

Full Color RGB Controller (FCC-5)



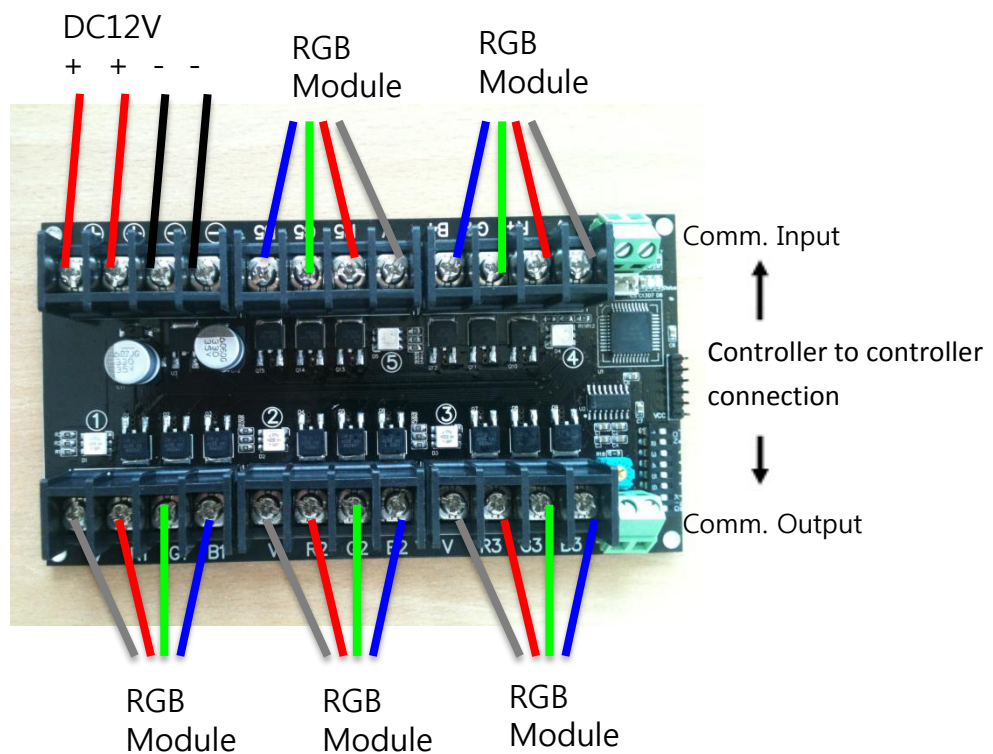
1. Features

- 12VDC using reverse damage protection circuit
- Easy connection up to 24 channels
- Enter through dedicated program, writing and directing
- 7 Fixed Modes
- Easy connection with large terminal blocks
- On board RGB simulator

2. Specification

- Input : 12~15VDC
- Output : PWM
- Capacity : Max 1000W (200W/Channel)

3. Wiring



4. Built in Effects

Refer to the numbers marked on controller.

Y: Yellow
R: Red
B: Blue
G: Green
M: Magenta
C: Cyan

- All Off : Rainbow effect 1
- MODE 1 : Steady White or Green (need to power off to reset)
- MODE 2 : Rainbow effect 2
- MODE 3 : Rainbow effect 3
- MODE 4 : Rainbow effect 4
- MODE 5 : Rainbow effect 5
- MODE 6 : Flashing effect in order of Y-R-B-G-M-C
and chasing by port
- MODE 7 : Rainbow effect 6
- MODE 8 : Switch Main/Sub
OFF (Down): Main
ON (Up): Sub

