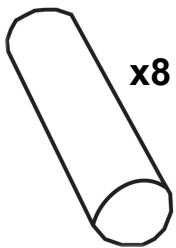


## Children's Chair Assembly Instructions

Please read these instructions carefully upon receiving your chair to ensure that the chair is assembled correctly and is safe to use.

### You will need:



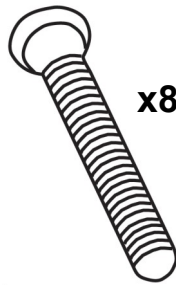
x8

Wooden Dowels



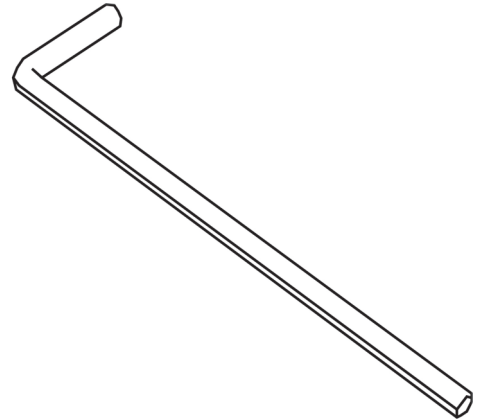
x8

Hollow Nuts

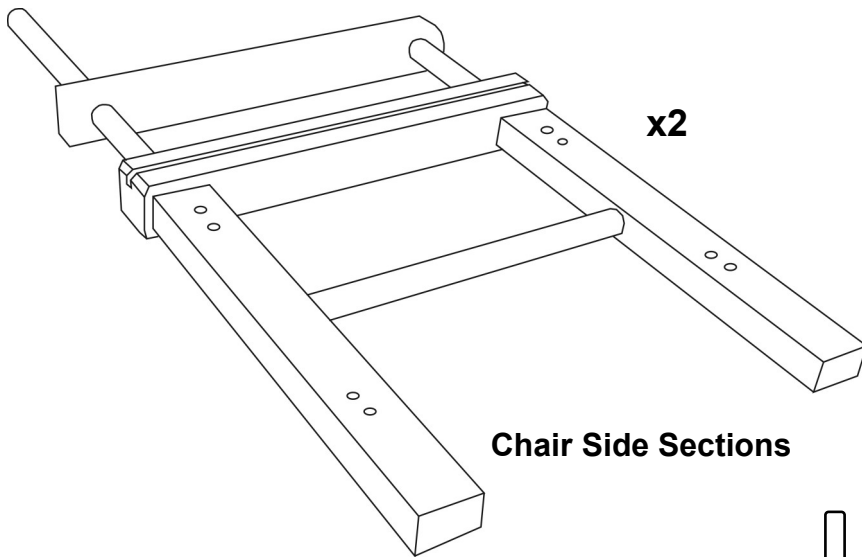


x8

Screws

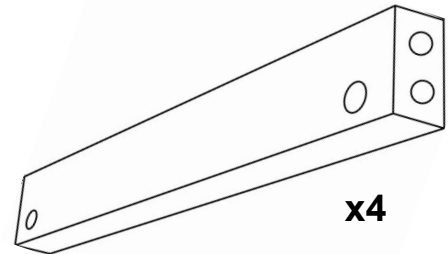


Allen Key



x2

Chair Side Sections

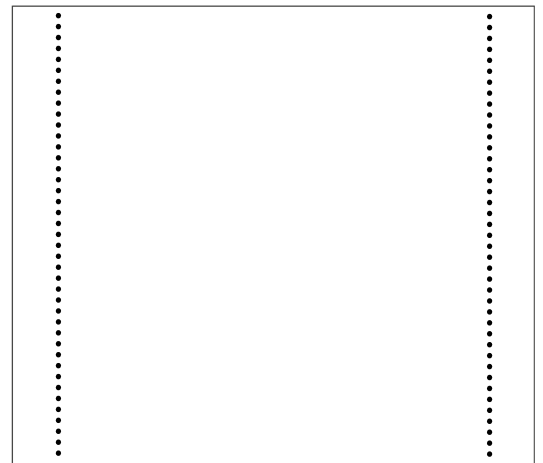
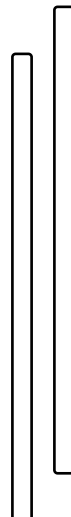


x4

Rectangular Supports



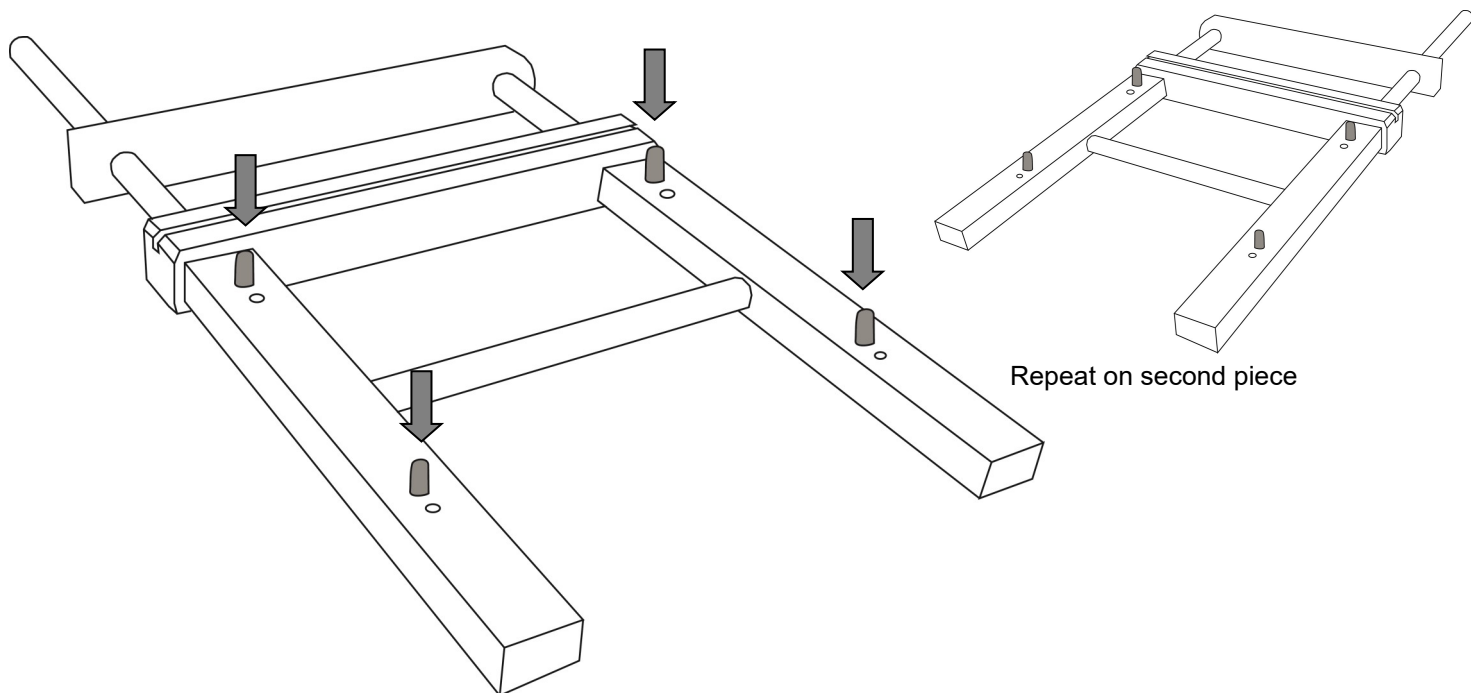
Back Canvas



Seat Canvas + 2x Sticks

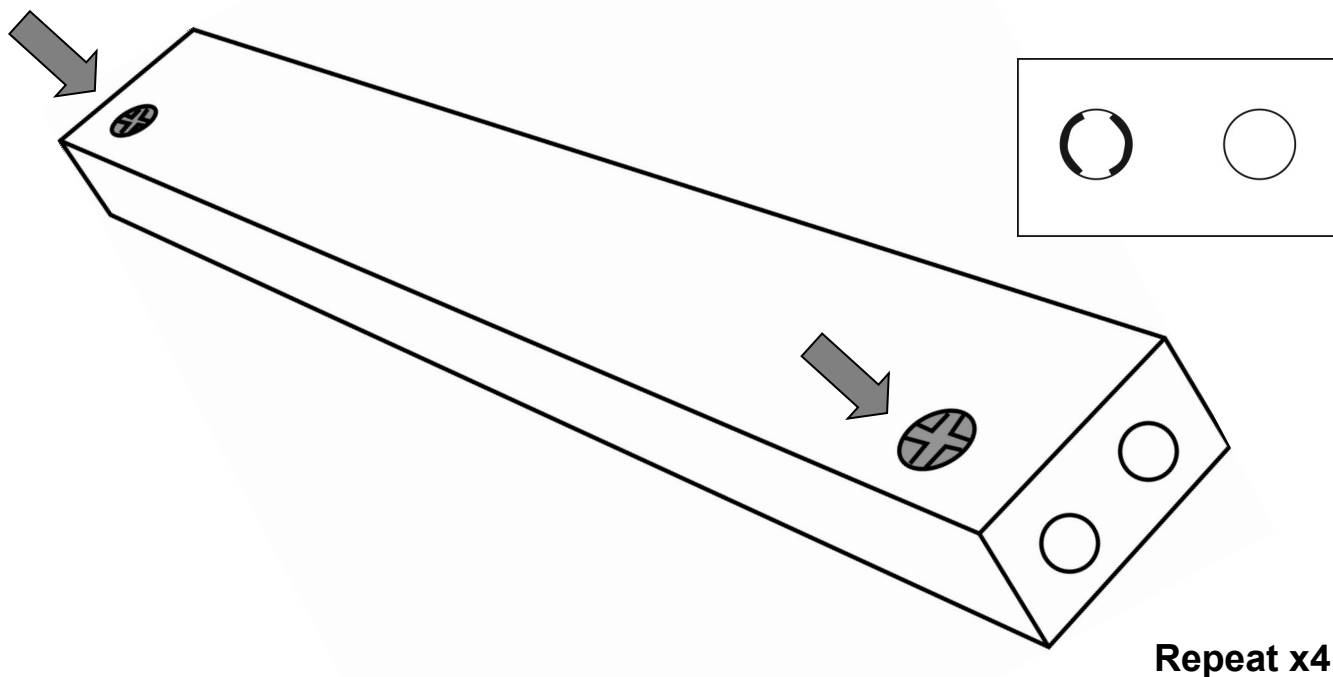
### Step 1:

Insert the wooden dowels into the exact holes shown. Repeat on both pieces so that each has 4 dowels.



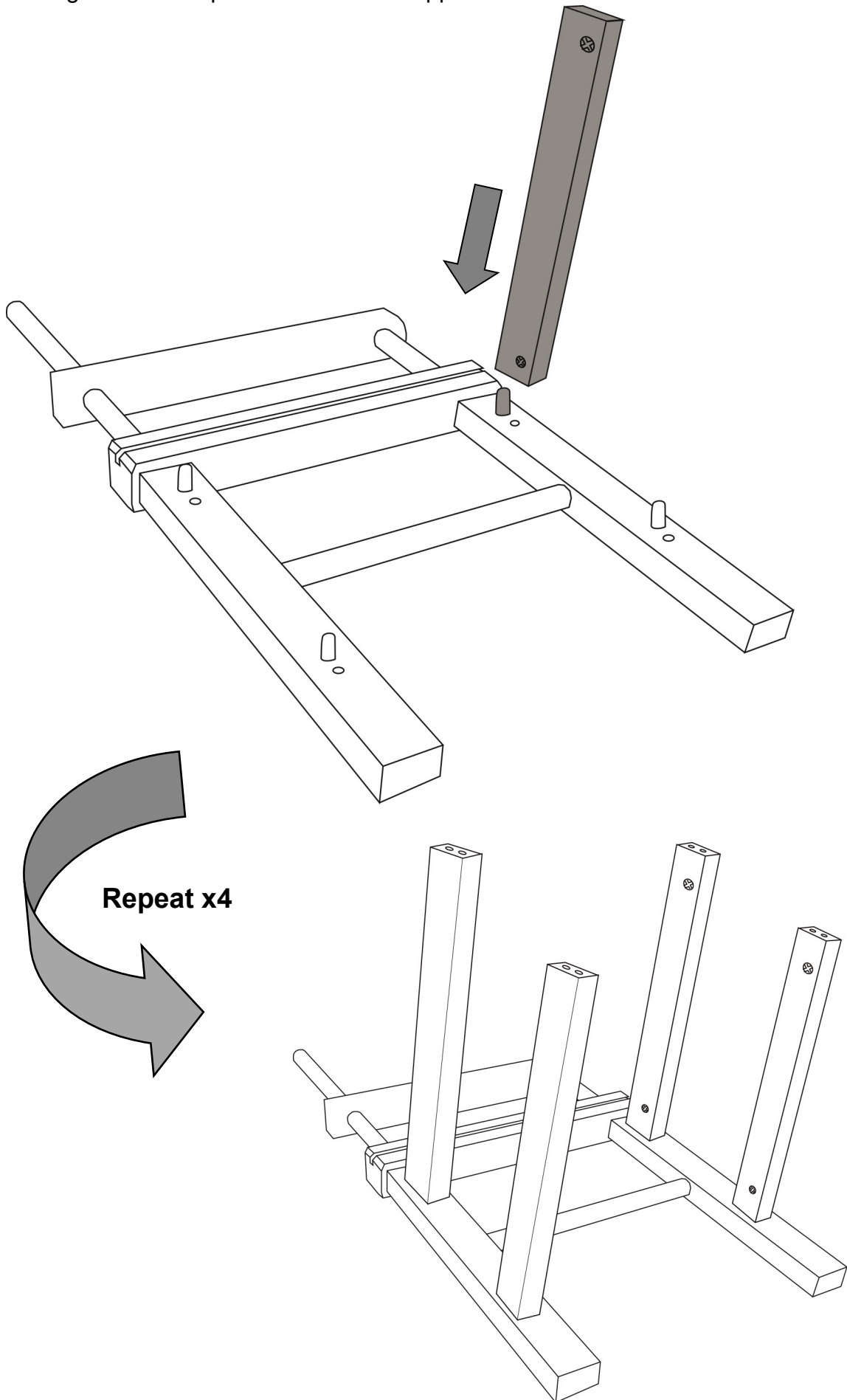
### Step 2:

Insert the hollow nuts into the holes on the rectangular supports as shown. Repeat on all 4 supports. **IMPORTANT:** Ensure that the hollow sections of the nuts are aligned with the holes on either end of the rectangular supports, so that a screw can be inserted later.



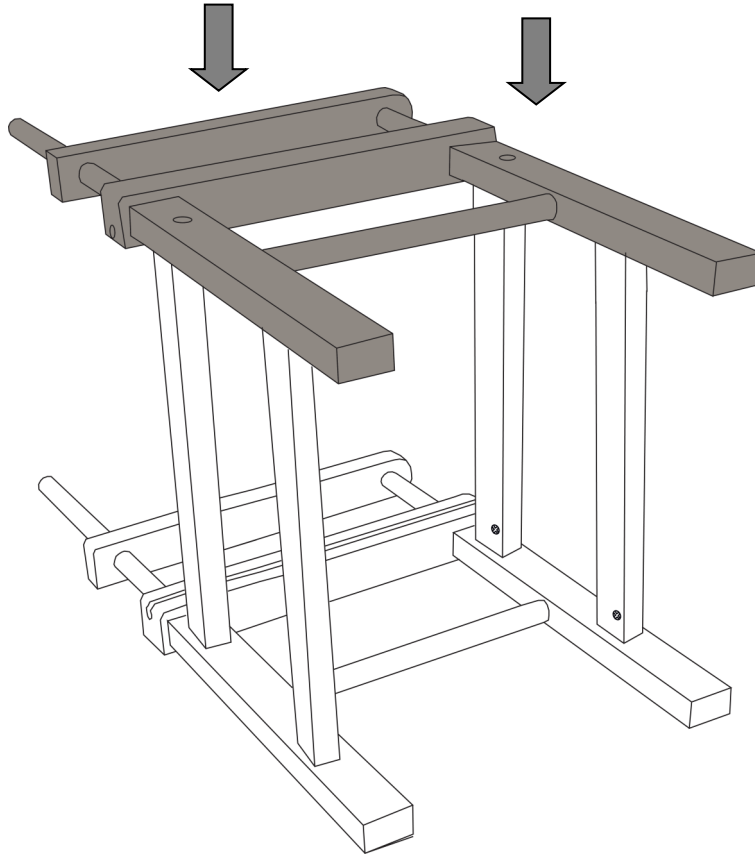
### Step 3:

Slot the rectangular support onto one of the side sections, with the nuts on the rectangular support facing inwards. Repeat with the all 4 supports.



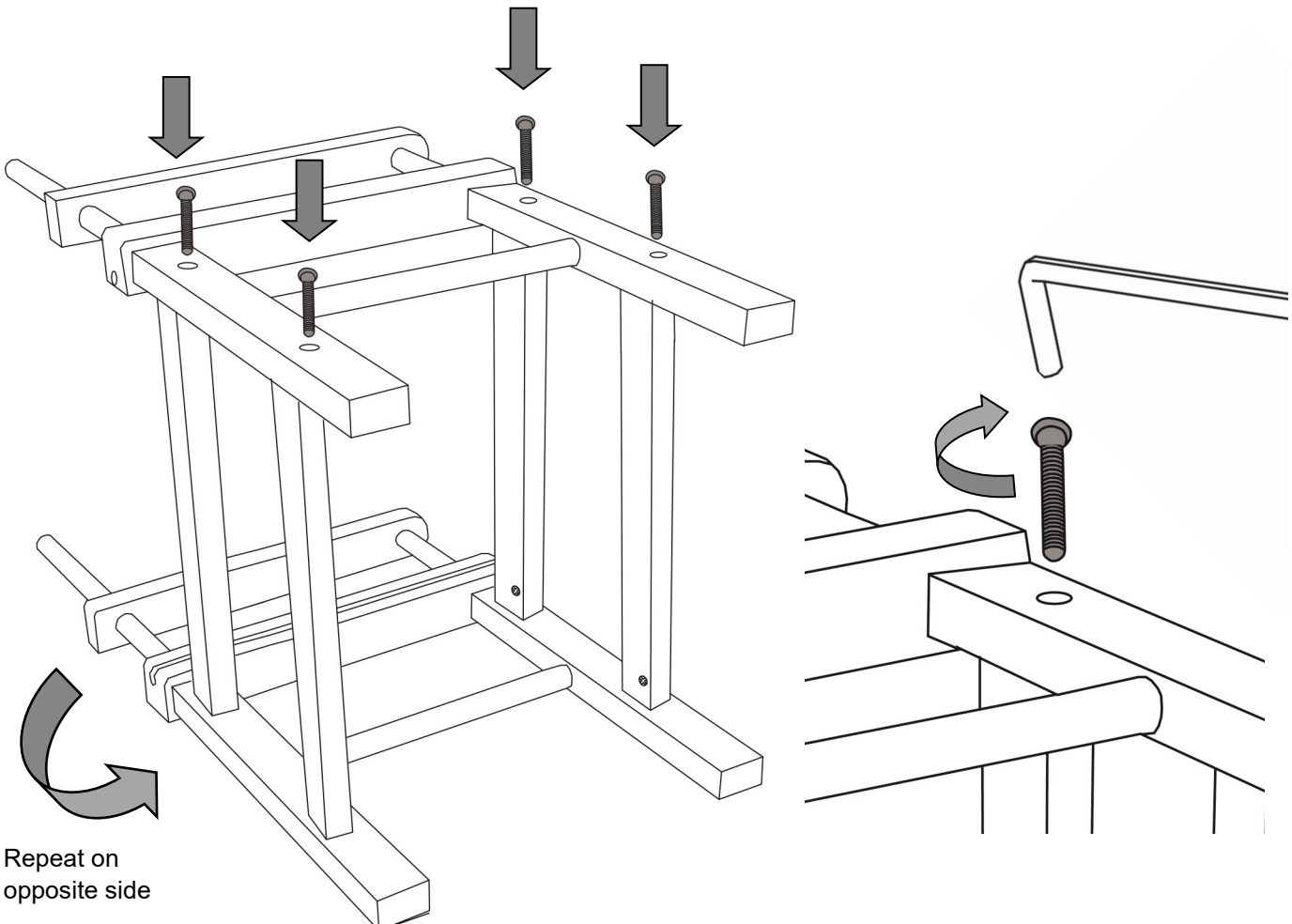
### Step 5:

Firmly slot the second side section on top (as shown), ensuring that all dowels are aligned correctly.



### Step 6:

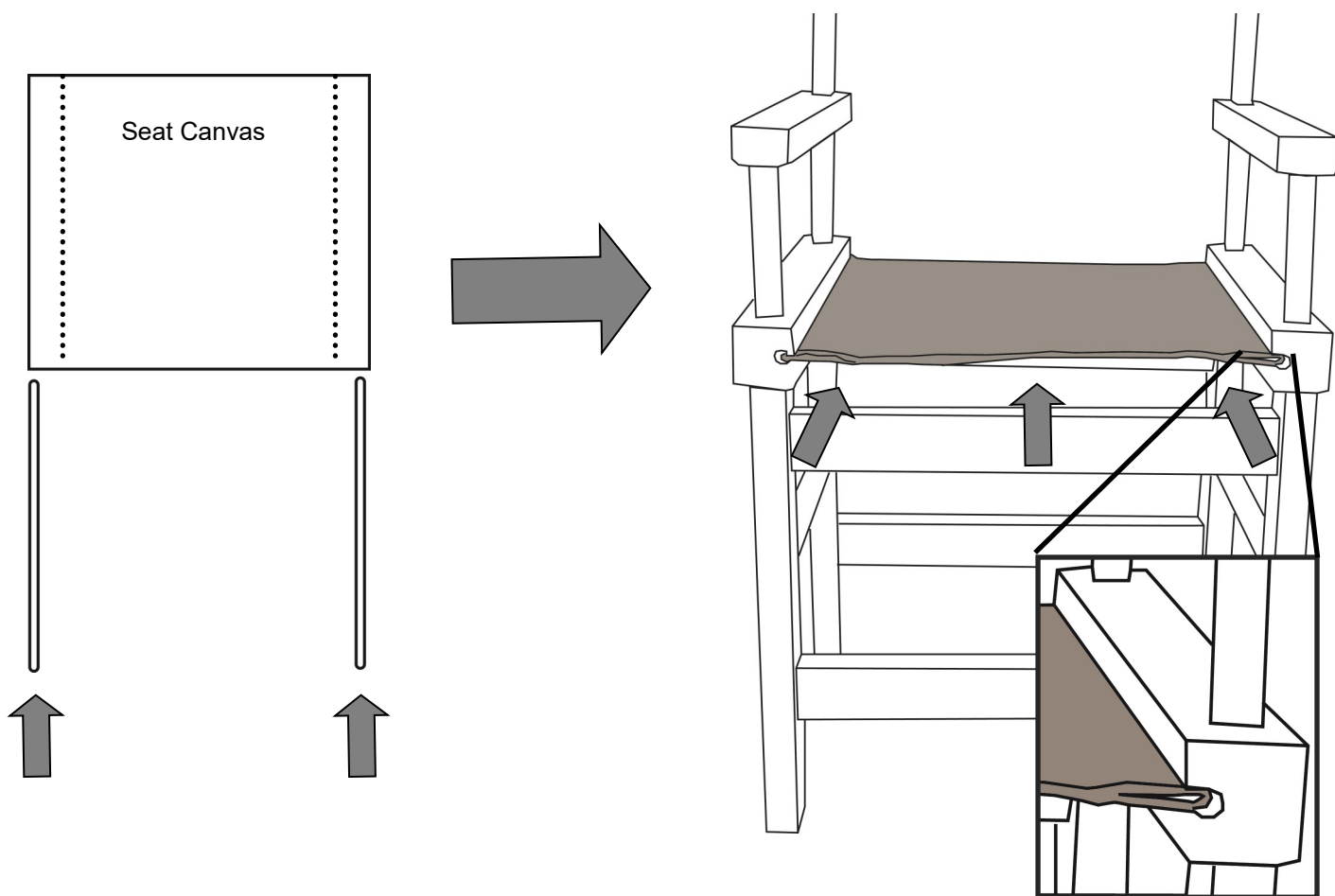
Using the allen key, screw the 8 screws into the remaining holes on the corners of the chair as shown. Ensure that they are tightened securely.



Repeat on  
opposite side

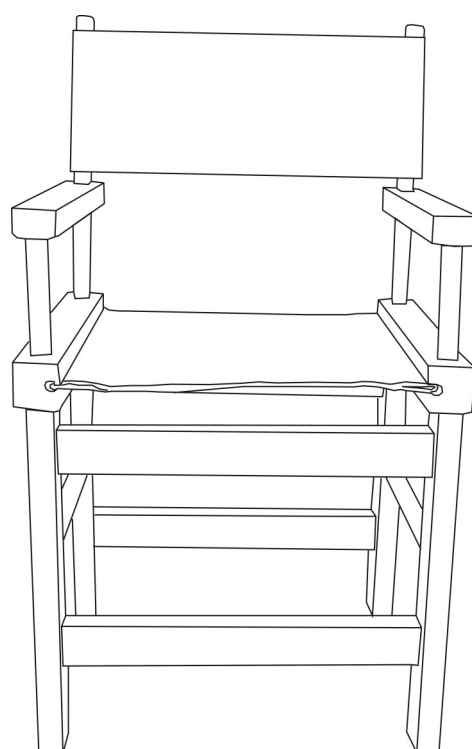
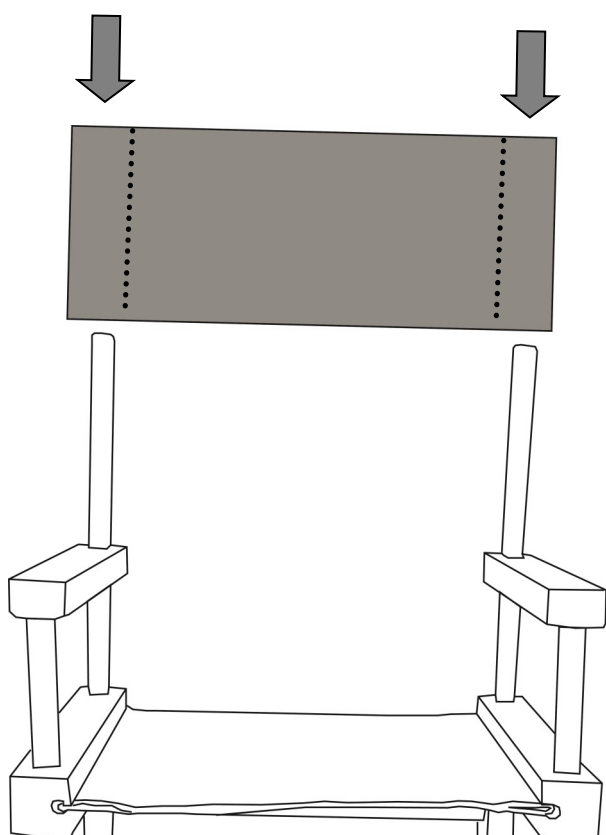
### Step 7:

Place the chair in its upright position. Take the seat canvas and insert the canvas sticks into either side. Then carefully slot the seat section in place within the seat ridges as shown.



### Step 8:

Slide the back canvas onto the chair as shown.



Your finished chair should look like this!

## **IMPORTANT INFORMATION**

- This chair is intended for occasional use only.
- Never allow children to assemble the chairs unless supervised by a responsible adult.
- This chair has been specially reinforced for the use of children. However, please do not tilt or rock the chair backwards or sideways when seated. Doing so may damage the chair or cause it to collapse.
- Avoid storing outside or in damp conditions, as this can cause the canvas to deteriorate.
- The canvas seat and back have a limited weight capacity.
- Hand wash canvas parts only. Small marks can be removed with a mild soap solution.
- Bright or dark canvas colours may transfer onto light coloured surfaces if rubbing occurs during use.

