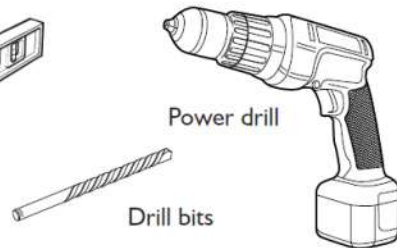
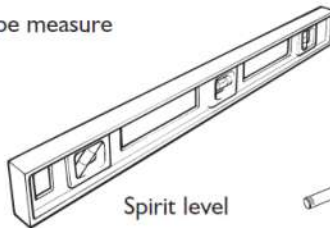
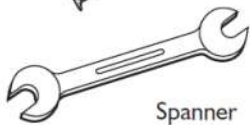
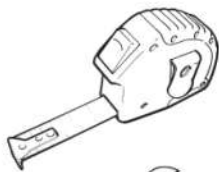
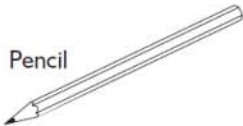
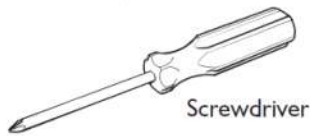
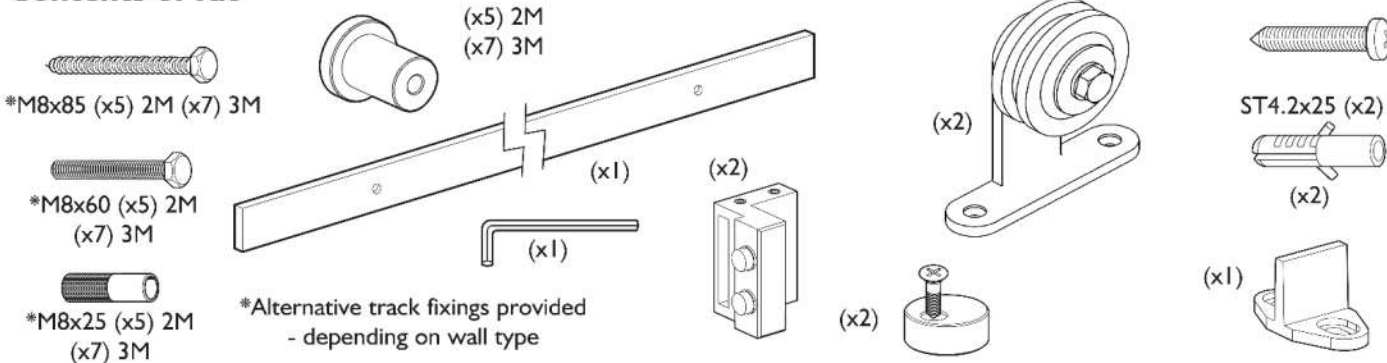


FITTING INSTRUCTIONS

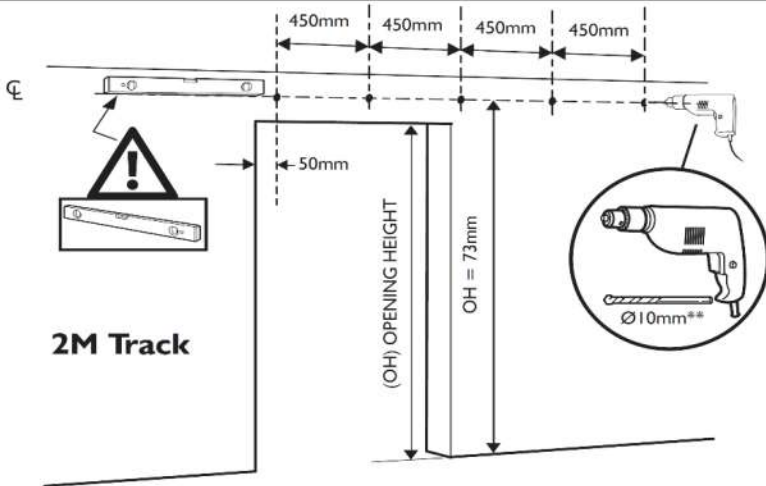
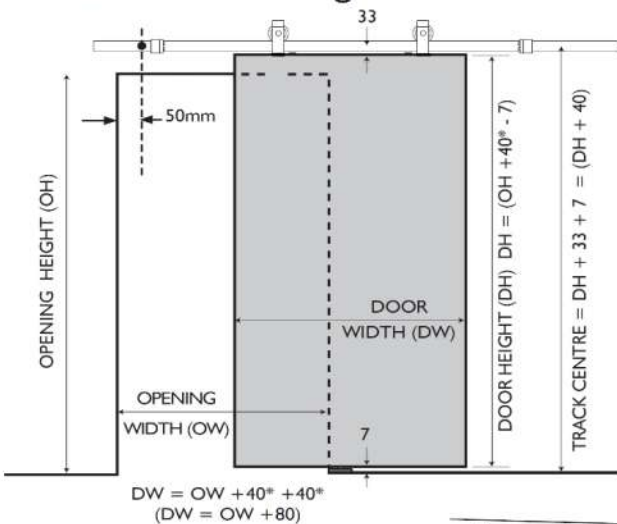
Tools Required



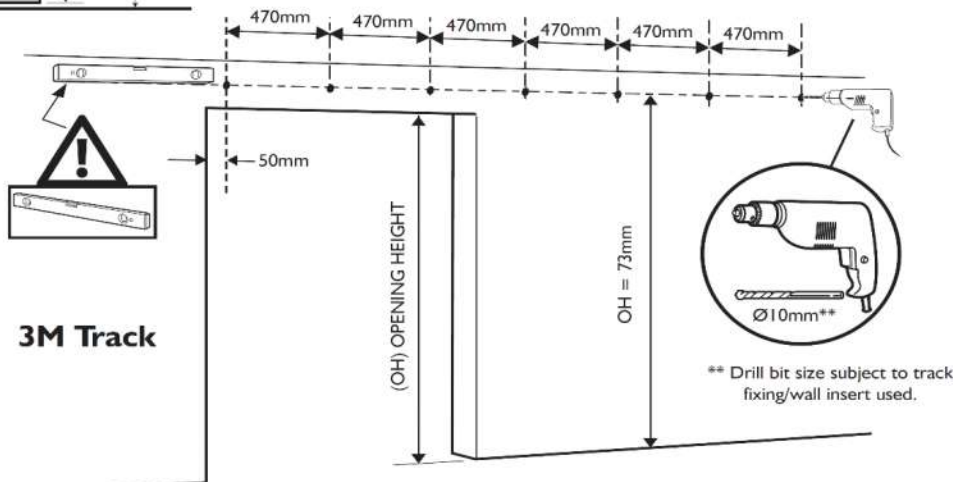
Contents of Kit



I. Mark and drill fixing holes

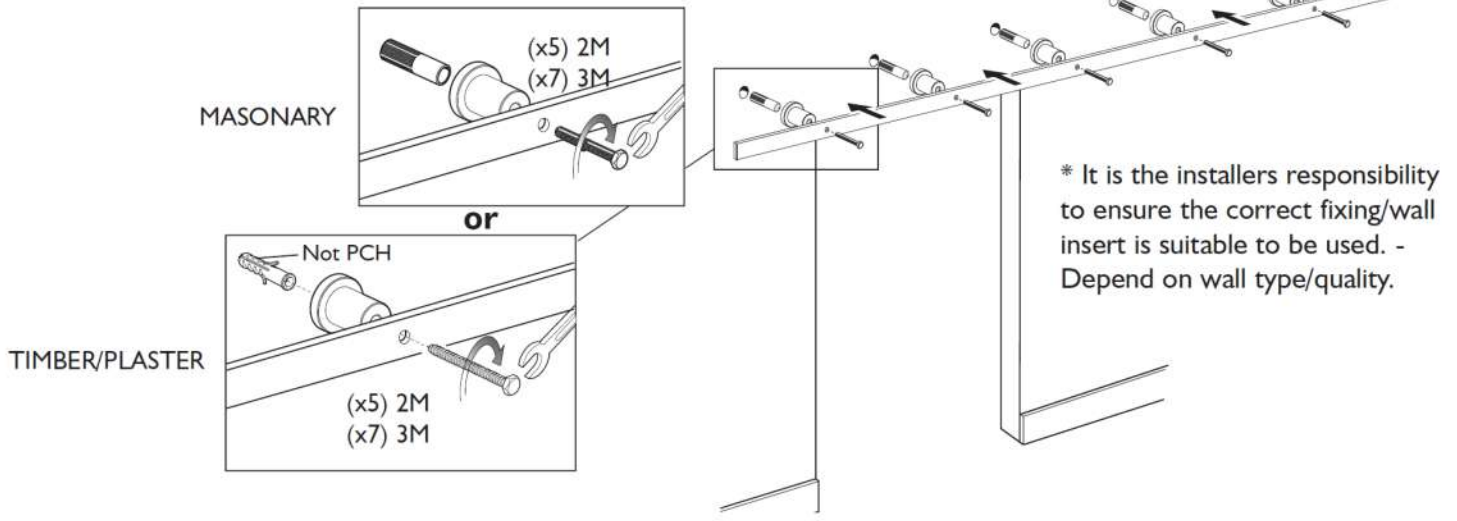


*PCH Suggests 40mm overlap of the door to the opening.

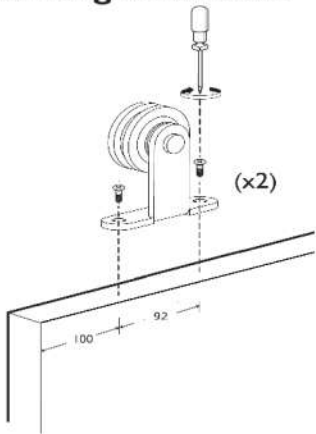


** Drill bit size subject to track fixing/wall insert used.

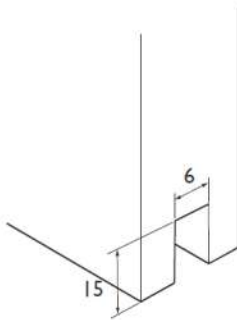
2. Fix M8 screw inserts, spacers and track to wall



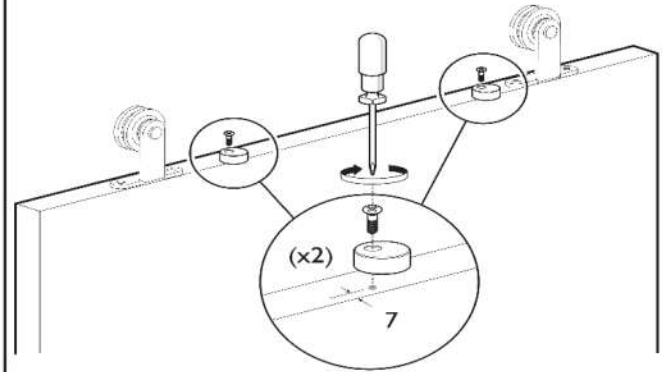
3. Fix hangers to door



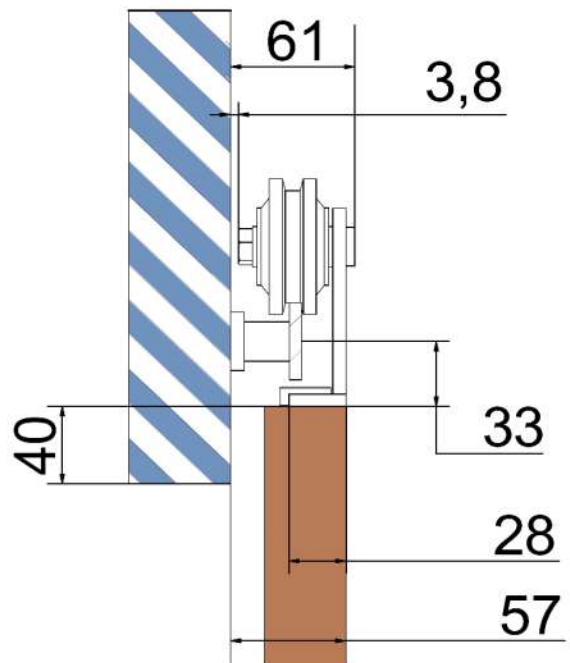
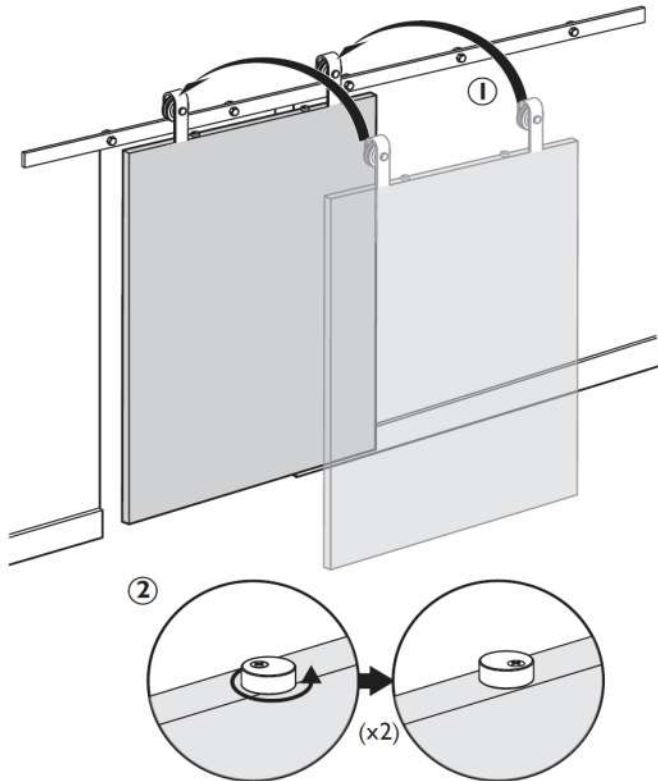
4. Floor guide routing detail



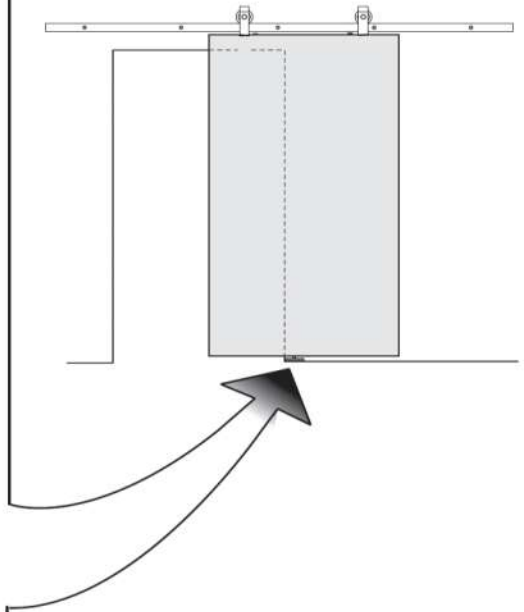
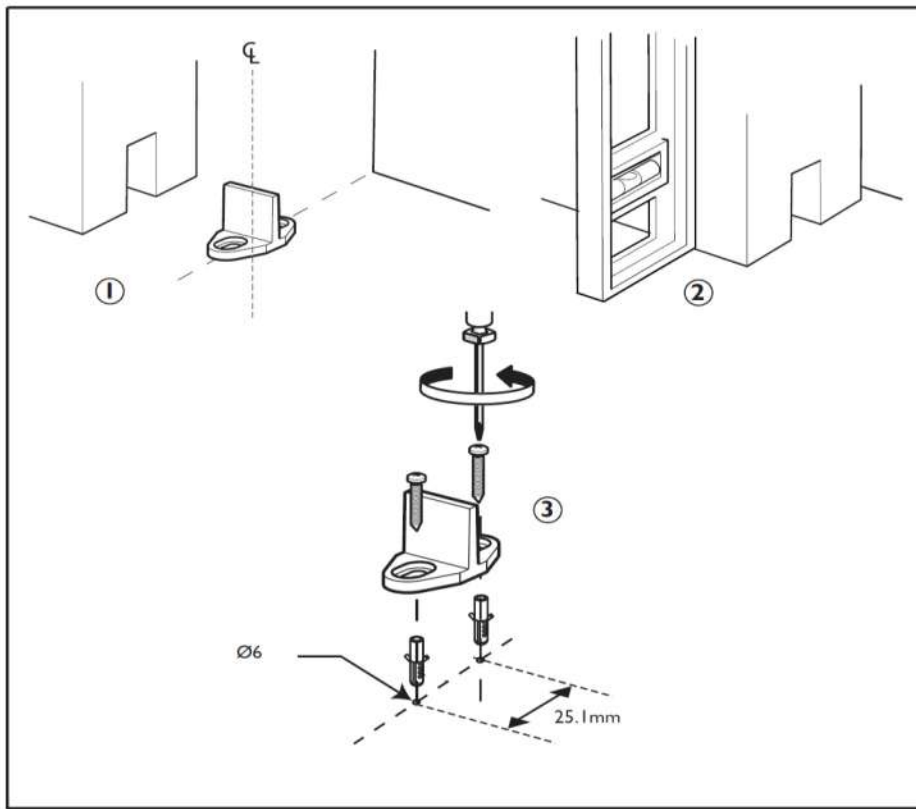
5. Fit anti-jump cams



6. Hang door and adjust anti-jump cams



7. Fit floor guide



8. Fit and adjust door stops

