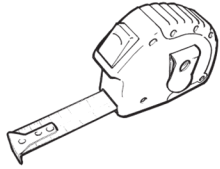
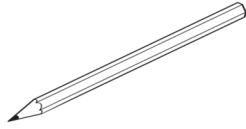


FITTING INSTRUCTIONS - NOTICE DE POSE - MONTAGE HANDLEIDING - MONTAGEANLEITUNG ISTRUZIONI DI MONTAGGIO - INSTUCCIONES DE MONTAJE

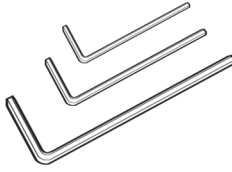
Tools Required



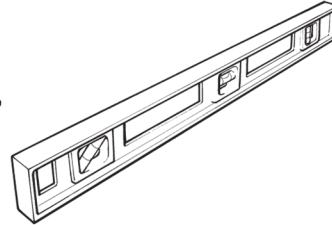
Tape measure



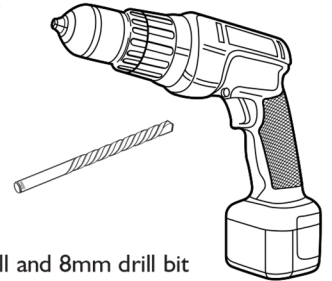
Pencil



Allen keys 3, 4 and 5mm

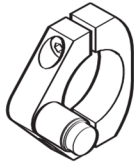


Spirit Level



Drill and 8mm drill bit

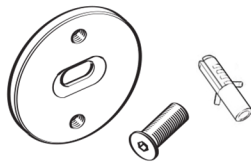
Contents of Kit



Rail stop x 2

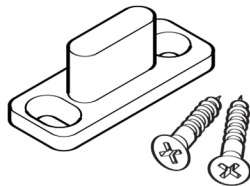


End Plug x 2

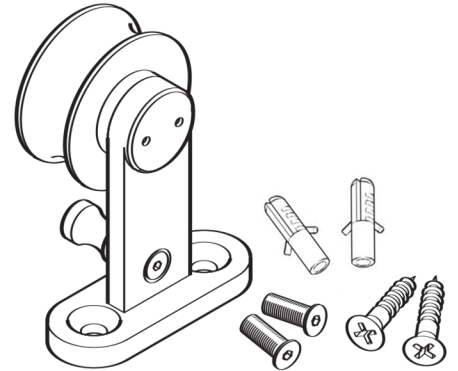


Fixing Plate

(Quantity dependent on bar length)

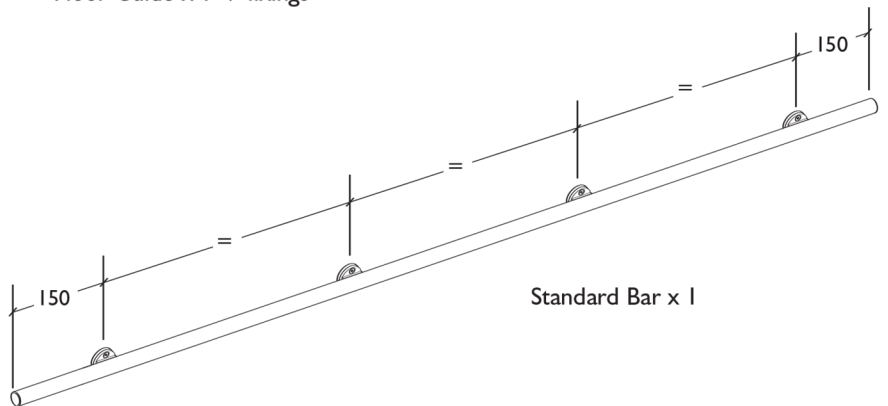


Floor Guide x 1 + fixings



Hanger x 2 + fixings

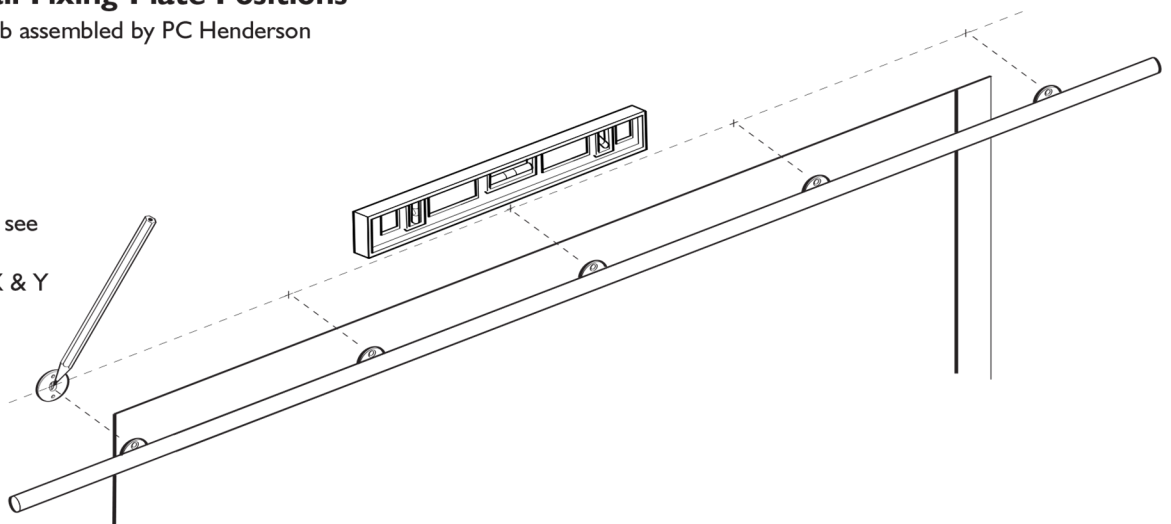
Standard Bar	No. of Fixing Plates / Brackets
2000mm	4
2500mm	5
3000mm	6
3500mm	7
4000mm	8
5000mm	11



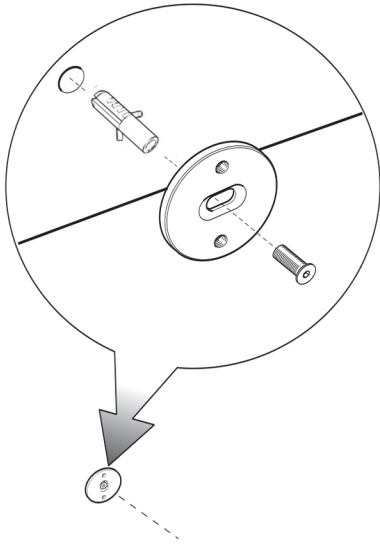
I Mark Rail Fixing Plate Positions

*Brackets sub assembled by PC Henderson

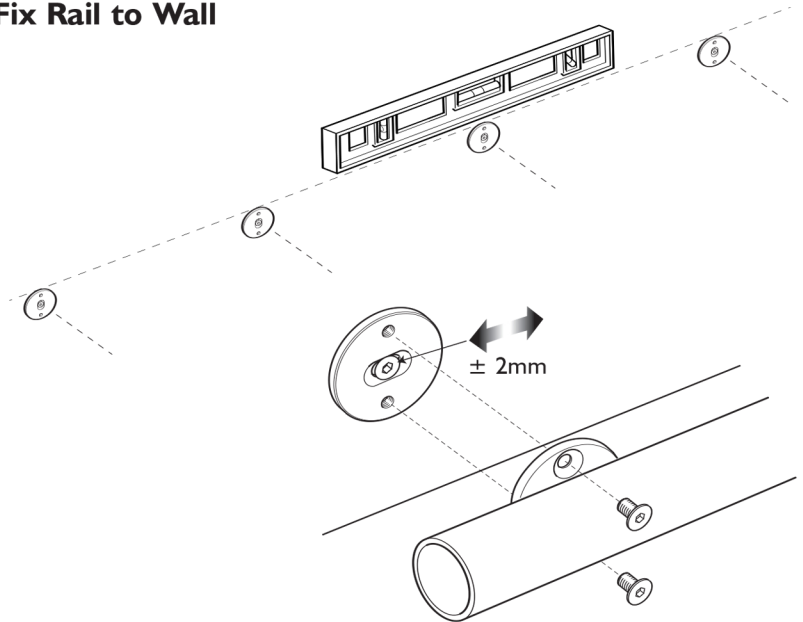
For position see figure 9 dimensions X & Y



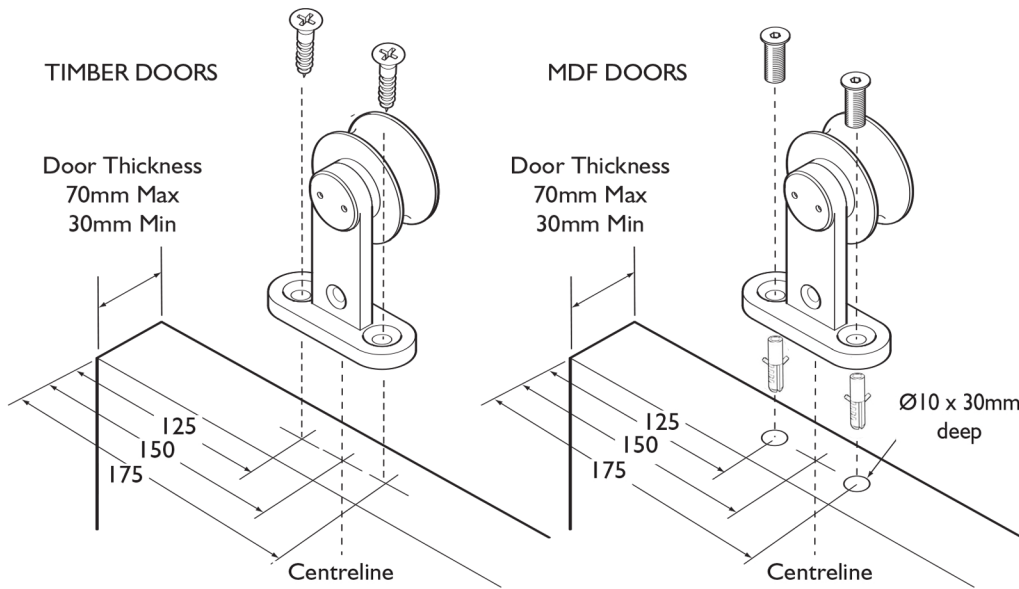
2 Fix Wall Plates



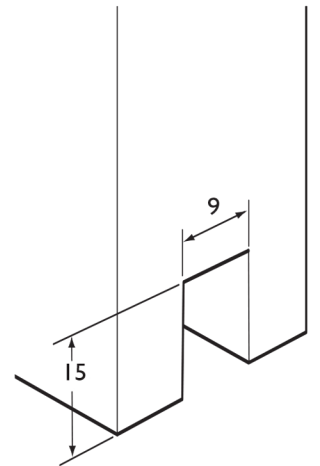
3 Fix Rail to Wall



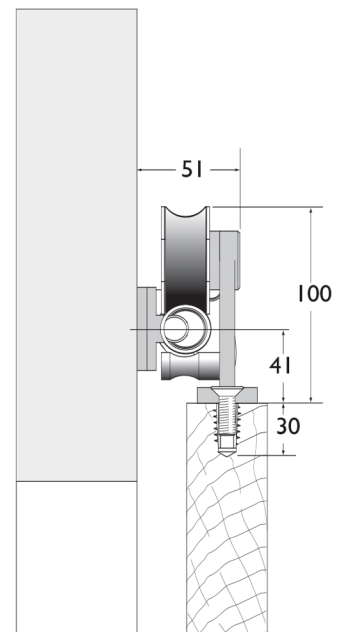
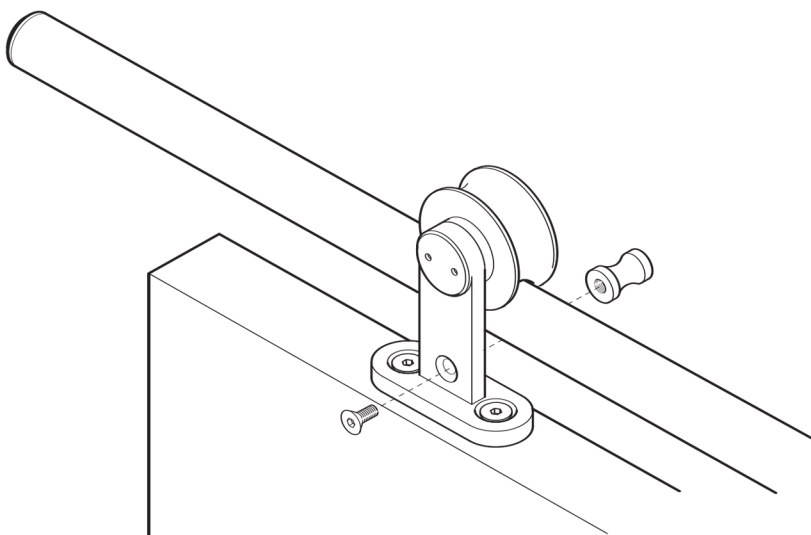
4 Fit Door Hangers



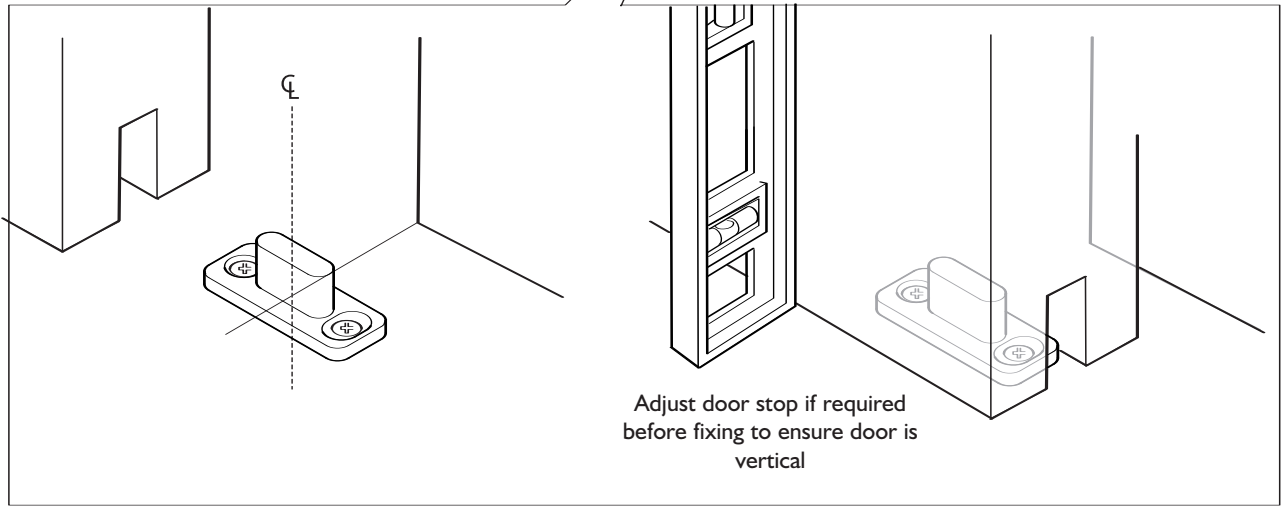
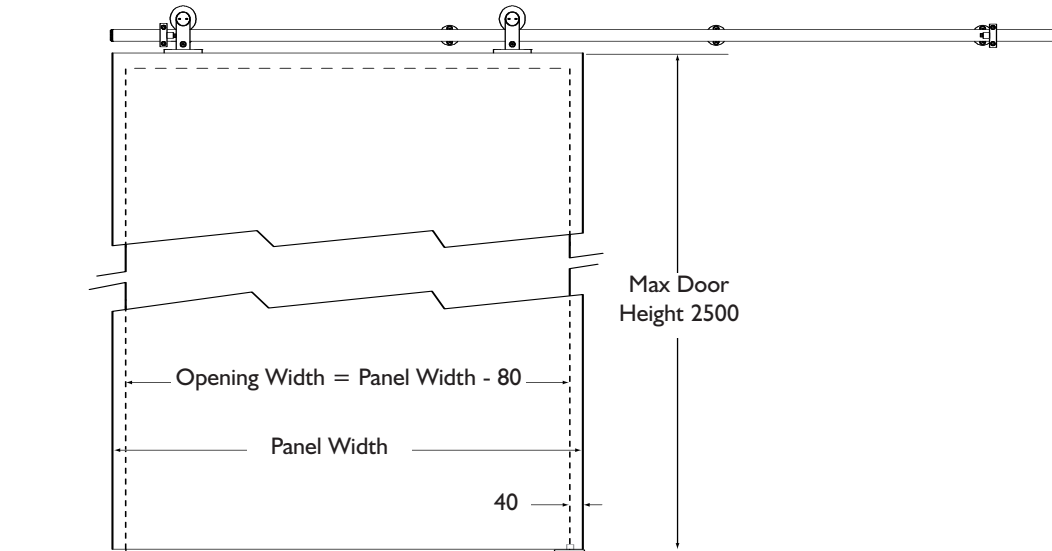
5 Routing Detail for Floor Guide



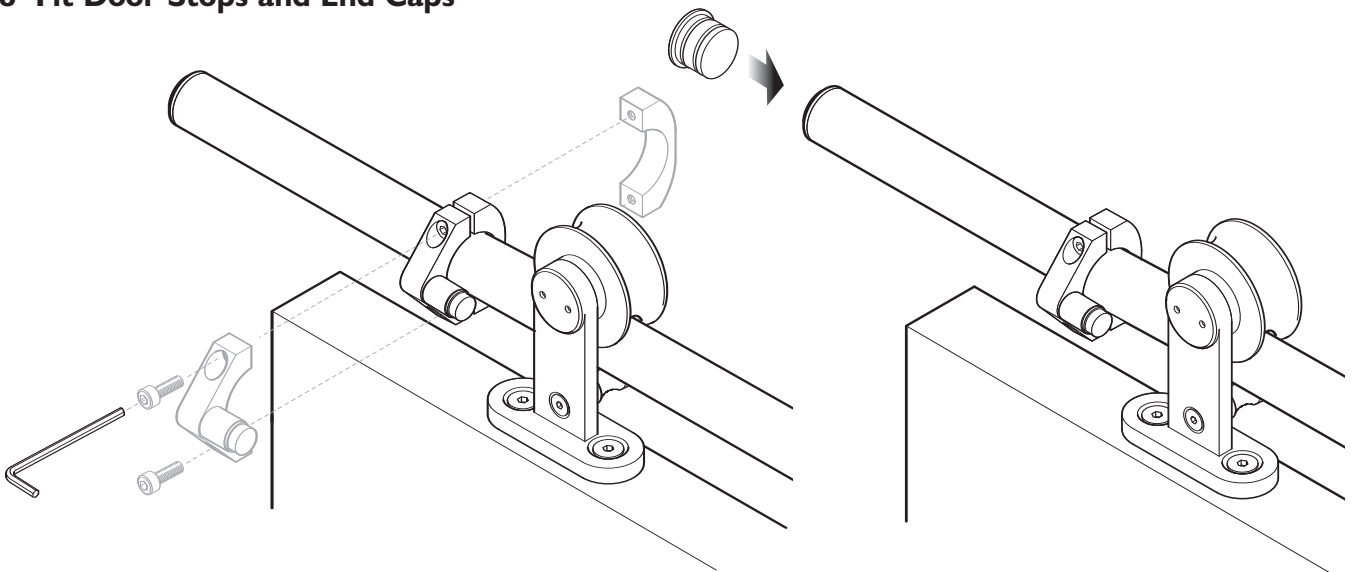
6 Hang Door and fit Anti Jump Pins



7 Fit Floor Guide



8 Fit Door Stops and End Caps



Once stop fitted - Ensure movement of door is not out of the floor guide

9 Dimensions

