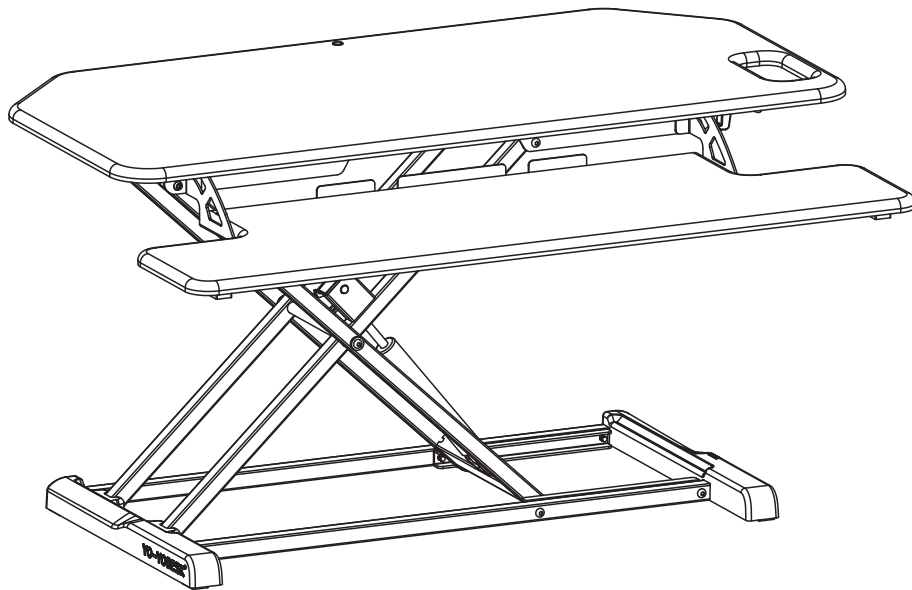


YO-YODESK® SLIM

Assembly Manual

CUBE S



CAUTION

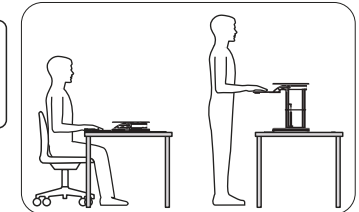
Please read all instructions carefully before using this product. Retain this manual for future reference. The specifications of this product may vary slightly from the illustrations and are subject to change without notice.

TECHNICAL DATA



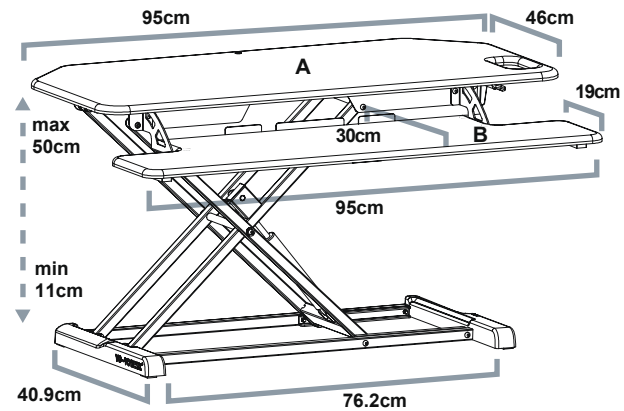
WARNING

The Desktop and Keyboard Tray have a defined weight tolerance level. Do not exceed the maximum bearing weight.



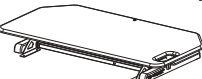









WEIGHT TOLERANCE LEVEL

- A 15kg
- B Maximum 1.8kg



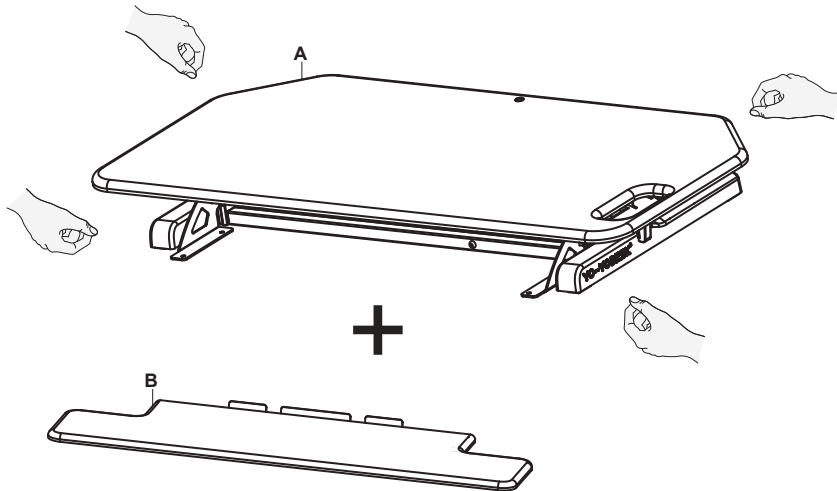
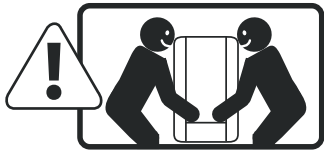
ASSEMBLY KIT

You will find the following items inside your package, please check them. If there are any tools or components missing, please contact customer services on +44 01793 575 082

 1 x Desktop & Frame	2 x  Cable Management Clip	5 x  Cable Tie (small size)
	3 x  Keyboard Pads	1 x  Cable Tie (large size)
 1 x Keyboard Tray	1 x  Screwdriver	2 x  Frame Protector (A)
	4 x  Screws & Caps (4 each)	2 x  Frame Protector (B)

ASSEMBLY STEP 1

Please take the Yo-Yo DESK® out of the packaging, and place it on your table/desk.

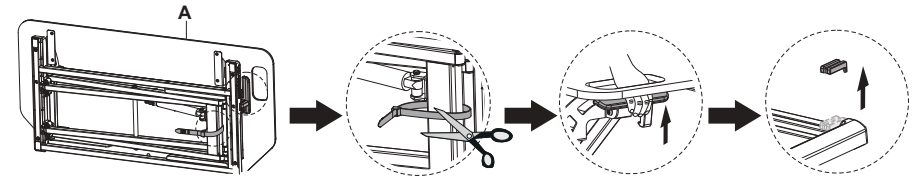


CAUTION

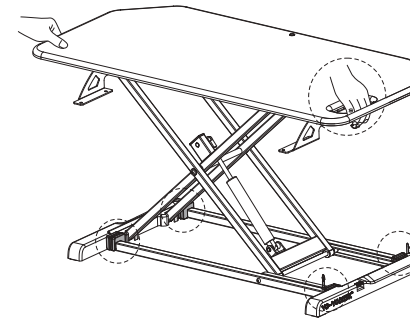
Please place the Yo-Yo DESK® on a surface suitable to hold the entire base of the Yo-Yo DESK® otherwise you may cause damage when operating the Yo-Yo DESK®.

ASSEMBLY STEP 2

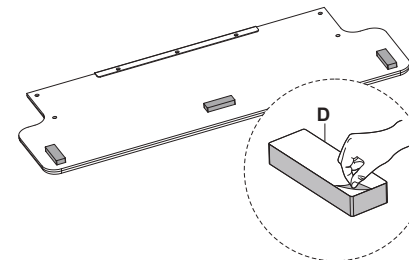
1 Cut the plastic strip locks and remove the Frame Protectors (see picture).



2 Press the lever on the right side and the desk will rise.

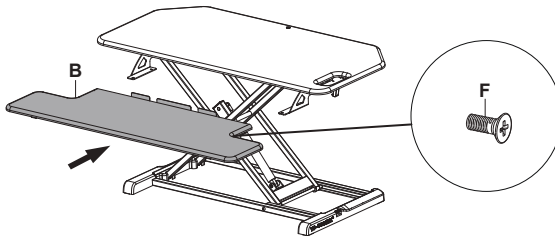


3 Attach the Keyboard Pads onto the Keyboard Tray (see picture for location).

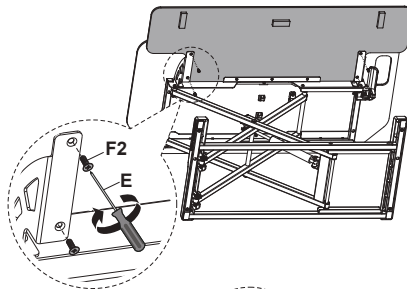


ASSEMBLY STEP 3

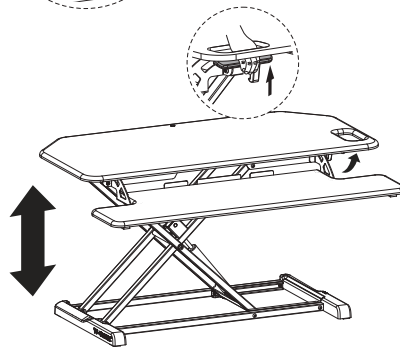
- 1** Place the Keyboard Tray onto the keyboard rack.



- 2** Put the screw cap on top of the Keyboard Tray, place your finger on top of the Screw Cap while you are tightening each screw through the bottom with the use of a Philips screwdriver. Do one at a time.



- 3** Adjust the desk to your appropriate sitting/standing heights, by **LIFTING THE LEVER** (on the right side).



CAUTION

Please don't place your hands on the supporting bars, as they move during adjustment, and may cause injury.

ASSEMBLY STEP 4

Please put your equipment on top of the Yo-Yo DESK®.

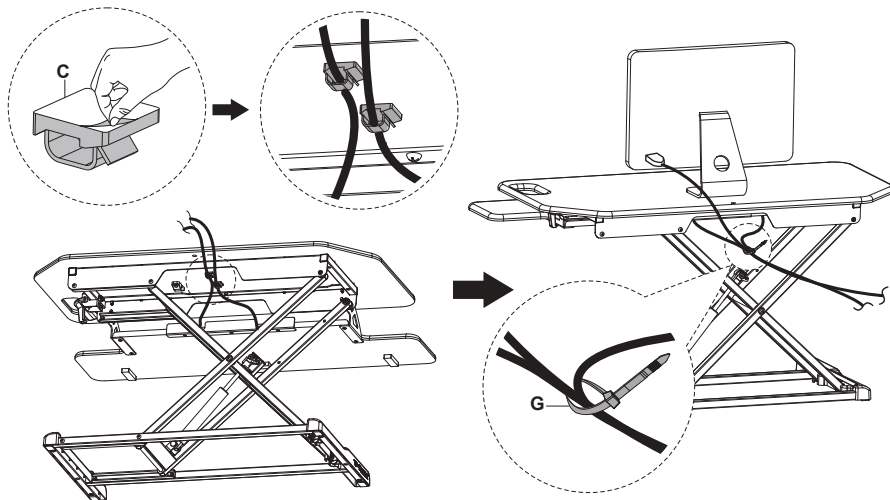


CAUTION

Please make sure that all equipment is fully on top of the Yo-Yo DESK®. It should not hang over the edges, as this may result in a fall and cause harm/get damaged.

ASSEMBLY STEP 5

Use the Cable Management Clips & Cable Ties to manage the cables.

**CAUTION**

When using the adhesive Cable Ties, make sure that you leave enough length in the cable to allow for the full range of height adjustment, otherwise your equipment may get damaged.

CAUTION**WARNING**

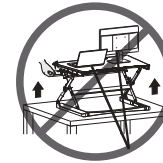
Hands Pinching
Do not place your hand near the strut. Strut's angle will change during the desktop lifts and it may hurt you.



Please don't put your hands on the supporting bars, as they move during adjustment and may cause injury.

CAUTION

Please make sure that all equipment is fully on top of the Yo-Yo DESK®, not hanging over the edges, as it may fall and cause harm/get damaged.

CAUTION

When using the adhesive Cable Ties, make sure that you leave enough length in the cable to allow for the full range of height adjustment, otherwise your equipment may get damaged.

CAUTION

When first using your desk, please carefully set it to its maximum height, to check that you can raise the desk without causing damage to your equipment or yourself.

CAUTION

Please ask someone to assist you when lifting the desk to prevent causing harm or injury.