

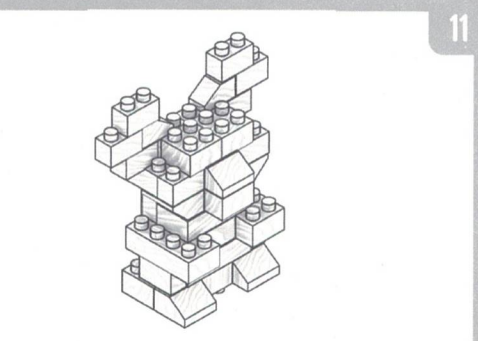
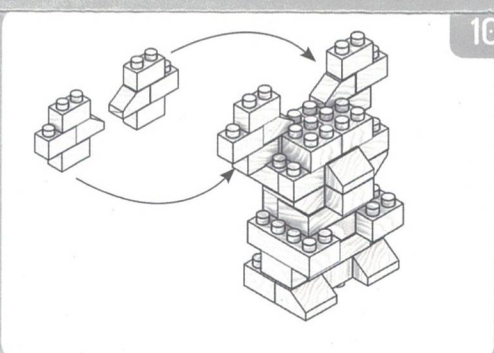
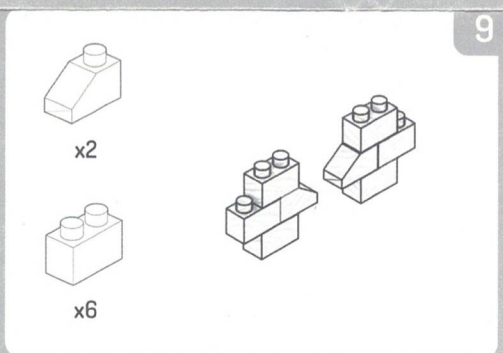
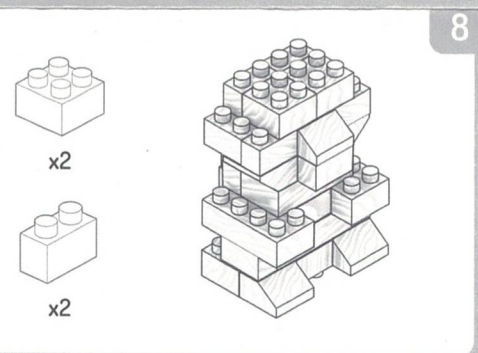
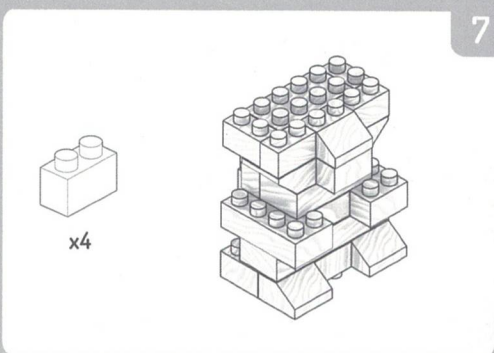
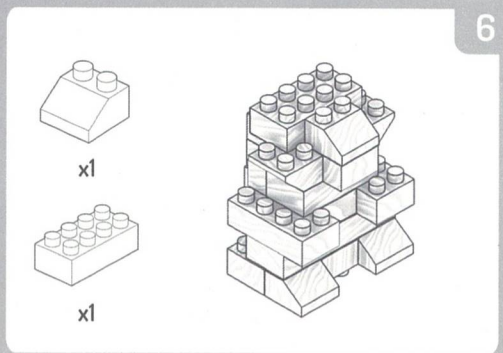
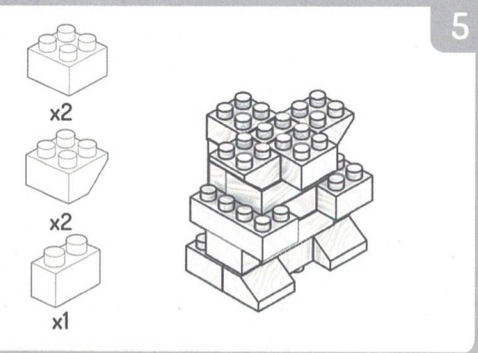
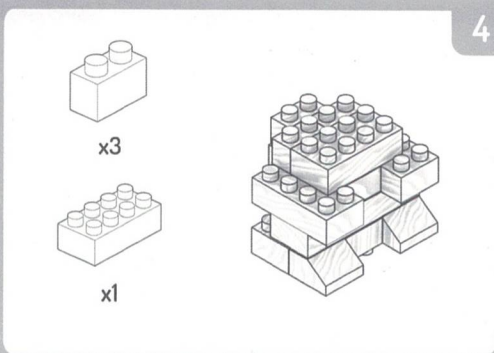
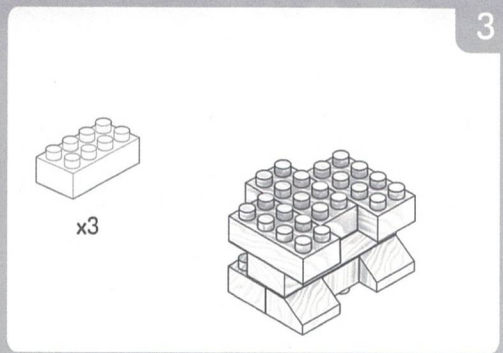
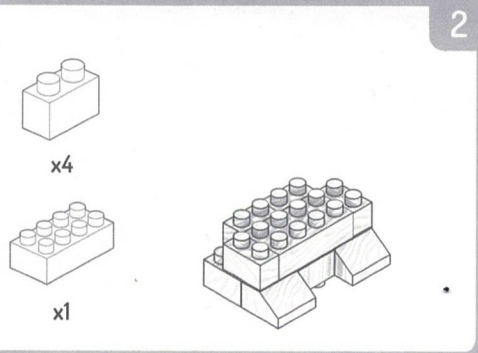
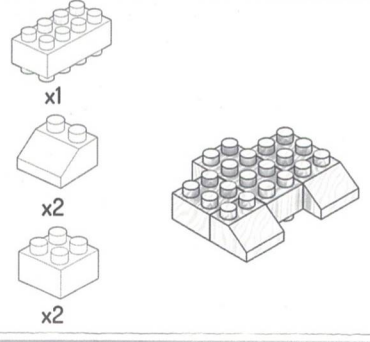
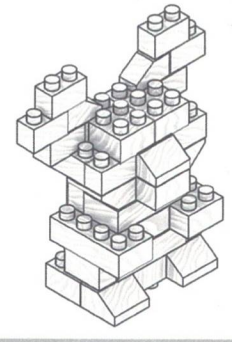
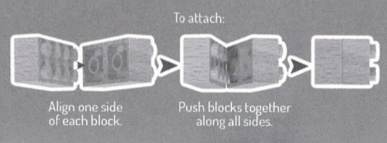
**FAB BRIX**  
**INSTRUCTION MANUAL**  
**KOALA**

**WWF**  
**ANIMAL & STICKERS**



**100%**  
**COMPATIBLE**  
**WITH MAJOR**  
**BRANDS**

FabBrix™ pieces are made of wood. If placed in water or very high moisture is present in the air, bricks can lose or alter function. Important Notice: Due the high precision wood cutting techniques, at first the bricks may have a tight fit. This may make it harder to connect and disconnect them. This will subside after a few uses. Do not get them wet. Keep away from water and fire.  
**WARNING: CHOKING HAZARD - Small parts.**  
 Not for children under 3 years.



contact@loop-toys.com  
 Loop Toys Ltd  
 3/F, Jonsim Place, 228, Queen's Road East  
 Wanchai - Hong Kong

Made in China  
 © Loop Toys 2018. All rights reserved.  
 FabBrix and Loop Toys logos are registered trademarks of Loop Toys.  
 CONFORMS TO THE SAFETY REQUIREMENTS OF ASTM F963 &  
 EN71 Retain this carton for future reference.

