

THERMO-HYGROMETER

USER MANUAL

MODE: B0323H

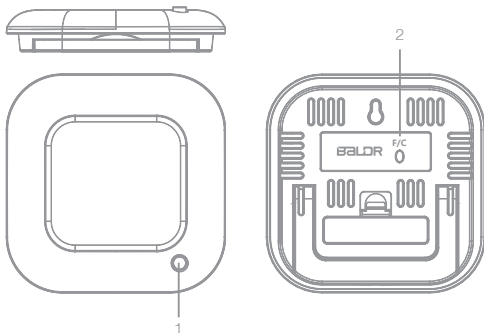
We hereby thank you for the purchase of Baldr Digital Thermo-hygrometer. We design and manufacture the item using innovative components and techniques to enable the perfect display of temperature and humidity by this device. Please read the instructions carefully and get familiar with the functions properly before using it.

For the start-up of this device you require:

1x AAA battery (not included)

OVERVIEW

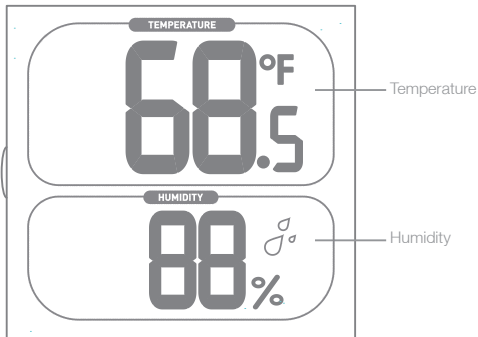
Main Unit



1. Max/Min record of temperature and humidity

2. °F/°C switch

LCD SCREEN DISPLAY



FEATURES

1. Big temperature & humidity display with cute outlook
2. Temperature range: 14°F-122°F (-10°C~50°C)
3. Humidity range: 10%RH-99%RH
4. With Max & Min records
5. Wall hanging or table standing

GETTING STARTED

POWER ON

1. Remove the battery compartment cover,
2. Insert 1x AAA battery matching the polarity (+and-).

TEMPERATURE & HUMIDITY

1. The indoor temperature and humidity will display automatically after setting up.
2. Press and release the "MAX/MIN" key on the front panel repeatedly, the current indoor temperature /humidity will alternate between MAX/MIN temperature/humidity records and the current value.

Press and hold the "MAX/MIN" key for 2 seconds to clear the MAX and MIN data.

3. For switching from °F and °C, press the button on the back.

POSITIONED METHOD

The thermometer can be positioned in 2 ways as desired.

- A. Pull out the table stand bracket from the rear of the thermo-hygrometer and place it on table or desk as desired.
- B. Hang on the wall by hanging hole.

PRECAUTIONS

Do not clean any part of the product with benzene, thinner or other solvent chemicals.

When necessary, clean it with a soft cloth.

Never immerse the product in water. This will damage the product.

Do not subject the product to extreme force, shock, or fluctuations in temperature or humidity.

Do not tamper with the internal components.

Remove the batteries if storing this product for a long period of time.

Do not dispose of this product as unsorted municipal waste. Collection of such waste separately for special treatment is necessary.

WARRANTY

BALDR provides a 1-year limited warranty on this product against manufacturing defects in materials and workmanship.

Warranty service can only be performed by our authorized service center. The original dated bill of sale must be presented upon request as proof of purchase to us, or our authorized service center.

The warranty covers all defects in material and workmanship with the following specified exceptions: (1) damage caused by accident, unreasonable use or neglect (including the lack of reasonable and necessary maintenance); (2) damage occurring during shipment (claims must be presented to the carrier); (3) damage to, or deterioration of any accessory or decorative surface; (4) damage resulting from failure to follow instructions contained in your owner's manual.

This warranty covers only actual defects within the product itself, and does not cover the cost of installation or removal from a fixed installation, normal set-up or adjustments, claims based on misrepresentation by the seller or performance variations resulting from installation-related circumstances.

To receive warranty service, the purchaser must contact with BALDR nominated service center for the problem determination and service procedure.

Thank you for your choice of BALDR products!

BALDR

www.baldr.com

66-BALDRB0323-001