



Item No. \_\_\_\_\_

# 336

## Soft Serve Freezer

Twin Twist

336



### Features

Offer all the popular soft serve variations from low or non-fat ice creams to custards, yogurt and sorbet. Serve two separate soft serve flavors, or an equal combination of both in a twist.

### Freezing Cylinder

Two, 2.8 quart (2.7 liter).

### Mix Hopper

Two, 8 quart (7.6 liter). Separate hopper refrigeration (SHR) maintains mix below 41°F (5°C) in Auto and Standby modes.

### Indicator Lights

Mix Low light alerts the operator to add mix.

### Electronic Controls

Finished product quality is monitored by Softech™ controls that measure viscosity.

### Standby

During long no-use periods, the standby feature maintains safe product temperatures in the mix hopper and freezing cylinder.



Standard 6



SA2650

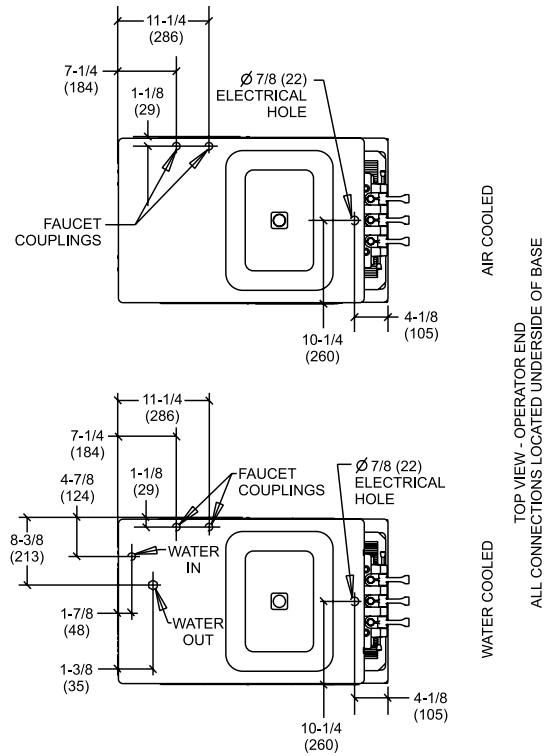
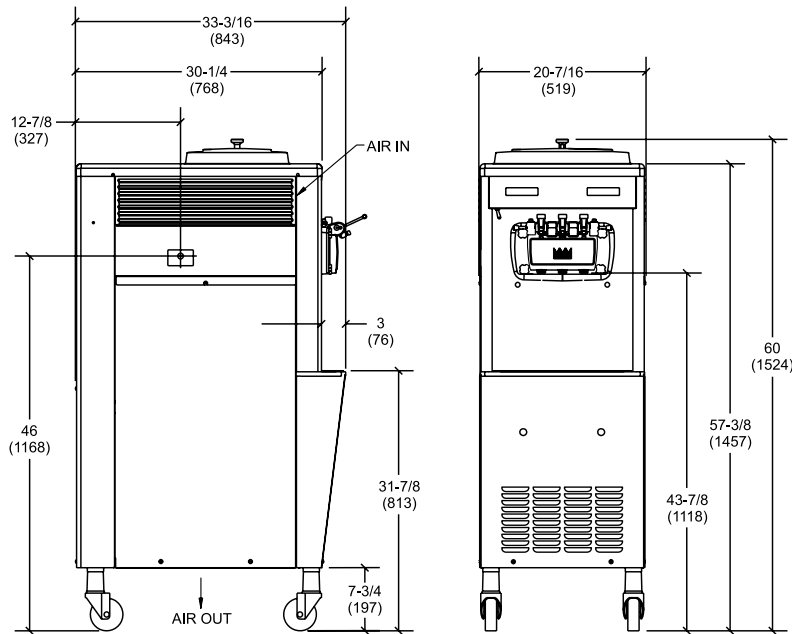


Selected 50  
Hz. Models

Reconditioned Taylor 336's  
from [www.softserveparts.com](http://www.softserveparts.com)



# 336 Soft Serve Freezer



NOTE:  
FIGURES IN PARENTHESES INDICATE MILLIMETERS.

Weights	lbs.	kgs.
Net	575	260.8
Crated	628	284.9
Volume	cu. ft.	cu. m.
Volume	39.1	1.1

Dimensions	in.	mm.
Width	20-7/16	519
Depth	33-3/16	843
Height	60	1524
Floor Clearance	7-3/4	197

\*Mounted on standard casters

Electrical	Maximum Fuse Size	Minimum Circuit Ampacity	Poles (P) Wires (W)
208-230/60/1 Air	35	28	2P 3W
208-230/60/1 Water	35	25	2P 3W
208-230/60/3 Air	25	20	3P 4W
208-230/60/3 Water	20	16	3P 4W
220-240/50/1 Air	30	25	2P 3W
380-415/50/3N~ Air	12	12	4P 5W

This unit may be manufactured in other electrical characteristics. Refer to the local Taylor Distributor for availability.  
(For exact electrical information, always refer to the data label of the unit.)

## Bidding Specs

Electrical: Volt \_\_\_\_\_ Hz \_\_\_\_\_ ph \_\_\_\_\_  
Neutral:  Yes  No **Cooling:**  Air  Water  NA

Options: \_\_\_\_\_

## Specifications

### Electrical

One dedicated electrical connection is required. See the Electrical chart for the proper electrical requirements. Manufactured to be permanently connected. Consult your local Taylor distributor for cord & receptacle specifications as local codes allow.

### Beater Motor

Two, 1.0 HP.

### Refrigeration System

One, 9,500 BTU/hr. R404A.

Separate Hopper Refrigeration (SHR), One, 400 BTU/hr. R134a.  
(BTUs may vary depending on compressor used.)

### Air Cooled

Minimum 3" (76 mm) around all sides. Install the deflector provided to prevent recirculation of warm air. Minimum air clearances must be met to assure adequate air flow for optimum performance.

### Water Cooled

Water inlet and drain connections under side of base 3/8" FPT.

## Options

- Cone Dispenser
- Draw Valve Lock Kit
- Faucet
- Mix Low Chime
- Sneeze Guard
- Syrup Rail Kit (side mount)

Continuing research results in steady improvements; therefore, these specifications are subject to change without notice.

Reconditioned Taylor 336's  
from [www.softserveparts.com](http://www.softserveparts.com)

