



Outlaw XP MODEL

ZERO-TURN MOWER OWNER'S, SERVICE & PARTS MANUAL

For additional information, please see us at
www.badboymowers.com

Bad Boy, Inc.
102 Industrial Drive
Batesville, Arkansas 72501
(870) 698-0090

TABLE OF CONTENTS

Basic Information..... Section 1 (pages 4–5)

Bad Boy Safety Guidelines Section 2 (pages 5–6)

Operation Section 3 (pages 6–7)

Maintenance Section 4 (page 7)

Storage and Transportation Section 5 (page 8)

Troubleshooting and FAQ..... Section 6 (pages 8–9)

Controls Section 7 (page 9)

Moving Inoperable Mower Section 8 (page 10)

Instrumentation Section 9 (page 10)

Mower Blade Maintenance Section 10 (page 11)

Greasing Bearings..... Section 11 (pages 11)

How to choose the right blade Page 12

Mowing Tips Page 21

SERVICE SECTION BEGINS ON PAGE 13
PARTS SECTION BEGINS ON PAGE 22
LIMITED WARRANTY PAGE 42



This manual applies to the following equipment:

Bad Boy Outlaw XP Series

Outlaw XP 5400 54" 852cc Kawasaki
Outlaw XP 6100 61" 852cc Kawasaki
Outlaw XP 7200 72" 852cc Kawasaki
Outlaw XP 6100 61" 36hp Vanguard
Outlaw XP 7200 72" 36hp Vanguard

COMMONLY USED ITEMS AND PART NUMBERS

72" Blade	Hi-Lift Fusion 038-7230-00	Gator Blade 038-5400-00	Wave Blade 038-7215-00
61" Blade	Hi-Lift Fusion 038-6080-00	Gator Blade 038-6081-00	Wave Blade 038-6090-00
54" Blade	Hi-Lift Fusion 038-0001-00	Gator Blade 038-0003-00	Wave Blade 038-5220-00
Deck Belt	72" 041-0202-00	61" 041-0178-00	54" 041-1650-00
Pump Belt	041-5048-00		
Vanguard 36hp	Oil Filter 063-8018-00	Air Filter Inner 063-8020-00	Air Filter Outer 063-8019-00
Kawasaki 852cc	Oil Filter 063-8017-00	Air Filter Inner 063-8020-00	Air Filter Outer 063-8019-00
Motor Oil	10w30 (2 quarts)		
Hydro Oil	20w50 (9 quarts)		
Hydraulic Filters	063-8014-00		

SECTION 1: BASIC INFORMATION

Congratulations on the purchase of your new Bad Boy Mower! The purpose of this manual is to assist operators in maintaining and operating their machine. The information and instructions in this manual can help you attain years of performance from your new Bad Boy. Also, check out our website to learn more about the Bad Boy family.

- 1.1 All Bad Boy engines use 10W30 engine oil. Conventional or Synthetic may be used.
- 1.2 All Bad Boy hydraulic systems use 20W50 engine oil. Conventional or Synthetic may be used.
- 1.3 All Bad Boy Mowers use hi-temp multi-purpose grease. NLGI No. 2 for the grease fittings.
- 1.4 Outlaw models have 12 psi in front tires and 8-10 psi in rear tires.
- 1.5 Most Briggs, Kohler, Kawasaki, and Vanguard engines hold two (2) quarts of motor oil.

Warranty Registration

The Warranty Registration form must be completed and signed to validate your warranty. As the new equipment owner, you are expected to see that the form is completed and forwarded to Bad Boy, Inc., at time of delivery. Warranty is non transferable.

Model/Serial Number

Your Outlaw model serial numbers are found on the SIN plate underneath seat. The serial numbers are necessary on the warranty registration form. Also, these numbers can assist you in the ordering of new parts when replacements become necessary.

Parts/Service

Only Bad Boy replacement parts are to be used on your mower. Replacement parts are available through your local Bad Boy Mower Dealer. Remember to always provide the following information when ordering parts:

1. Correct part number
2. Correct serial number

All warranty repair and service must be handled through your authorized Bad Boy Mowers dealer. To locate the nearest dealer, go to our website and click on Locate a Dealer.



SECTION 2: MOWER SAFETY GUIDELINES

Never allow untrained people to operate this machine. It is the owner's responsibility to get training and see to it that anyone who has permission to use your machine receives the proper training.

Do not mow around people. The factory discharge chute is designed to deflect debris downward, but it could be possible for debris to be thrown in a way that can cause damage to people or property.

Seek additional training when possible to learn more about safety techniques and practices.

SAFETY PRECAUTIONS

- 2.2 Always remain seated while operating machine.
- 2.3 Always maintain a safe distance from people and pets while mowing.
- 2.4 Always disengage blades, place steering controls in neutral, engage parking brake, and remove ignition key when leaving operators seat.
- 2.5 Always operate machine in daylight or with adequate working lights.
- 2.6 Be alert of surroundings. Watch for rocks, stumps, and mounds or depressions while mowing.
- 2.7 Always wear eye protection while mowing and servicing.
- 2.8 Always wear ear protection, such as earplugs, while mowing.
- 2.9 If you strike something with the mower turn the blades and mower off, engage the parking brake, and inspect the machine for damage before resuming.
- 2.10 Be aware of low hanging limbs or objects that could potentially be hazardous while mowing.
- 2.11 Never operate a poorly maintained machine.
- 2.12 Never carry passengers.
- 2.13 Always buckle seat belt, if provided one.
- 2.14 Never attempt high speed maneuvering, especially around people or property.
- 2.15 Never put hands or feet under the machine while ignition is on.
- 2.16 Never refuel machine when engine is running.
- 2.17 Never leave key in ignition, especially around children.
- 2.18 Never run engine in enclosed area.
- 2.19 Do not touch hot parts of machine.
- 2.20 Do not remove deck wheels.
- 2.21 Conditions that can affect traction resulting in the loss of control of machine: Wet terrain, Hills or extreme angles, Depressions in the ground, Mounds of dirt, Extremely dry grass, Soil type (gravel, sand, clay), Tire pressure
- 2.22 Be aware of what is located at the bottom of slopes. For example, Rocks, Water, Cliffs, Roads and Highways

2.23 Safety warning decals are located on the mower and should always be observed and followed.

- 2.24 Never operate the mower with the discharge chute open.
- 2.25 Prevent Fires—Remove grass and debris from engine compartment and muffler area, before and after operating machine, especially after mowing or mulching in dry conditions.
- 2.26 Do not store machine near open flame or source of ignition, such as a water heater or furnace.
- 2.27 Do not attempt to mount a tire without the proper equipment and experience to perform the job.
- 2.28 Always maintain the correct tire pressure. Do not inflate the tires above the recommended pressure. Never weld or heat a wheel and tire assembly. The heat can cause an increase in air pressure resulting in a tire explosion. Welding can structurally weaken or deform the wheel.
- 2.29 Never operate machine in a closed area where dangerous carbon monoxide fumes can collect.
- 2.30 Let engine cool before storing!!!
- 2.31 Hydraulic hoses and lines can fail due to physical damage, kinks, age, and exposure. Check hoses and lines regularly. Replace damaged hoses and lines.
- 2.32 Park machine on level ground. Never allow untrained personnel to service machine. Understand service procedure before doing work.

SECTION 3: MOWER OPERATION

Never operate the machine with faulty equipment. Always be alert of sudden changes in landscape, as the mower will react differently on slopes or embankments than it will on flat surfaces. Never operate the mower with the discharge chute open. Do not cross terrain, other than grass, with blades turning. This could cause damage to property or bystanders.

- 3.1 Place parking brake in up position
- 3.2 Drive arms must be in the “open” position. While sitting on the machine, each arm is positioned away from the operator, to the right and left. Drive arms will lock into place and must be in this position to start machine.
- 3.3 Put PTO switch in the OFF position.
- 3.4 If your machine has been equipped with a ROPS (Roll Over Protection System) then you must fasten seatbelt.
- 3.5 If machine has not been started recently, engage the choke.
- 3.6 Make sure nothing is under or around machine.
- 3.7 Place key in ignition and turn.
- 3.8 Once machine is started, disengage the choke.



- 3.9 Increase RPM by sliding the throttle to fast position, toward the rabbit.
- 3.10 Owners must become familiar with the controls before operating a zero-turn radius vehicle.
- 3.11 Start slowly and build your skill level. Have ample practice before using the machine at full capabilities.
- 3.12 Be comfortable with machine before engaging blades. Know what each component controls before using machine.
- 3.13 Your mower will perform differently on an incline /decline. Be cautious, slow down, and do not make any sudden jerking movements with control arms. The machine could lose traction on a decline or tip backwards on an incline.
- 3.14 Once you become comfortable with your Bad Boy Mower you will notice your overall mowing time will decrease.

Avoid operating your mower on side hills of over 5 degrees, inclines of over 10 degrees, and declines of over 15 degrees.

SECTION 4: MOWER MAINTENANCE

*****Check each and provide maintenance when needed.***

DAILY

- 4.1 Check Engine Oil
- 4.2 Check Engine Air Filter
- 4.3 Tire Pressure
- 4.4 Inspect Blades

Within FIRST five hours of usage, change engine oil and filter

EVERY 30 HOURS OF USAGE

- 4.5 Grease Machine

EVERY 50 HOURS OF USAGE

- 4.6 Change Engine Oil and Filters

Check filters once a year if under 50 hours

Check air and fuel filters more often in dry, dusty conditions

Within FIRST 50 hours of usage, change hydraulic oil and filters

EVERY 250 HOURS OF USAGE

- 4.7 Change Hydraulic Fluid and Filters
- 4.8 Refer to manufacturer manual for specific information on maintenance schedules.

SECTION 5: MOWER STORAGE & TRANSPORTATION

- 5.1 Keep machine from collecting debris by storing in a covered area while not in use.
- 5.2 Fuel can harm your machine if left for more than 30 days without changing, especially if the fuel contains ethanol. Never use fuel with more than 10% ethanol by volume. E-15 is not permitted.
- 5.3 Disconnect the negative battery cable when machine will be stored for more than 30 days.
- 5.4 Always secure machine properly when transporting machine.
- 5.5 Do not load machine on trailer with blades engaged.
- 5.6 Do not use ramps to load the machine.
- 5.7 Make sure Parking Brake is in “up” position.
- 5.8 In wet conditions tires may spin while loading / unloading. If necessary, wait for dry conditions before loading / unloading.
- 5.9 Make sure mode of transportation is suitable to bear the weight of mower.
- 5.10 Deck height should be set at maximum before attempting to load.
- 5.11 Secure mower with at least two straps capable of securing weight of mower.

SECTION 6: TROUBLESHOOTING

- 6.1 **Q: *How do I prevent an uneven cutting pattern and increase the quality of cut?***
- 6.1 **A:** Check tire pressure, check blade sharpness (replace blades or sharpen at least once per year or when needed), make sure blades are tightened properly, check spring and belt tension, check the underside of the deck to ensure the mower deck is free of grass build-up and debris, make sure your machine is at full throttle, and vary your mowing pattern each time you cut your grass.
- 6.2 **Q: *What should I do if my mower won't start?***
- 6.2 **A:** Check battery charge and connection (grounds), check your fuel (make sure fuel is less than 30 days old and contains no water), make sure your spark plug is in good condition and spark plug wire is attached, and make sure air filter is clean (a dirty filter makes it more difficult for the engine to draw air). Check for broken wires or bad connections.
- 6.3 **Q: *What should I do if the blades won't engage?***
- 6.3 **A:** Make sure the safety switch is plugged in on the bottom of seat. Check the underside of the PTO engager to ensure the plug is secure at switch.
- 6.4 **Q: *What type of fuel is recommended for my mower?***
- 6.4 **A:** We recommend that you use a name brand fuel to ensure quality. Use fuel with an octane rating near 87. Higher octane fuels offer no benefit. Only fuels with an ethanol content of 10% or less may be used. E-15 is not permitted.



6.5 **Q: Do you offer touch-up paint for your mowers?**

6.5 **A:** Touch-up paint is available. Contact your local dealer for more information.

6.6 **Q: How durable is the electric deck lift?**

6.6 **A:** The actuator which controls the deck height is designed for moving loads of up to 1000 pounds and has a static holding capability which exceeds 3,000 pounds. Our 1/4" deck weighs approximately 250 pounds which is only 25% of working capability.

SECTION 7: CONTROLS

7.1 **Ignition Switch**—Bad Boy Mowers have a three position ignition switch: off, run, and start. With key inserted, rotate it clockwise to START position and release key when engine starts, and switch will automatically return to the RUN position.

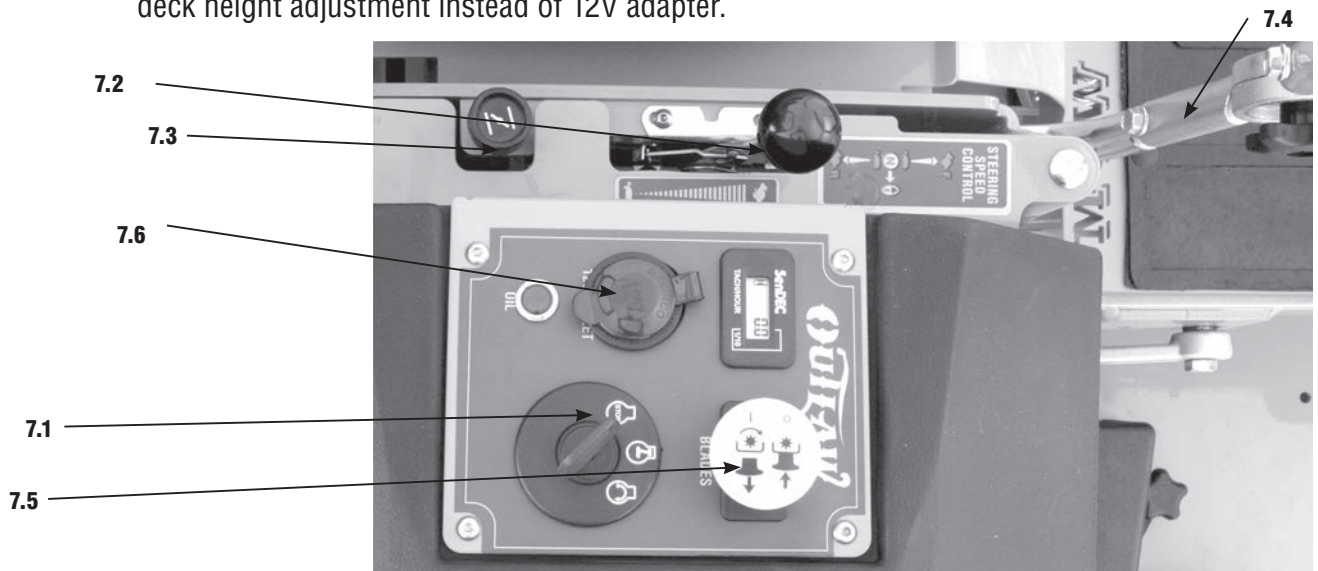
7.2 **Throttle Control**—A cable is connected to the engine throttle for controlling engine speed. Move lever forward to increase engine rpm, move lever backward to decrease engine rpm.

7.3 **Choke Control**—A cable is linked to manually operate the engine choke. When the lever is in the down position, the choke is in the off (run) position. When the lever is pulled up, the choke is in the on (start) position. Do not operate the machine in the on (start) position. The choke lever is behind the throttle control.

7.4 **Control Levers**—These levers control the mower's speed, direction, and neutral lock. These levers are used to steer, accelerate, decelerate and change direction. (Drive Arms)

7.5 **Blade Engage Switch**—This switch engages the blades. Pull the switch up to engage the blades and push the switch down to disengage the blades.

7.6 **12V Charger**—Charge MP3 players or Phones while working. XP has a rocker switch for deck height adjustment instead of 12V adapter.



SECTION 8: MOVING INOPERABLE MOWER

- 8.1 Do not tow machine. Use a winch to load on a trailer for transporting.
- 8.2 **ATTENTION:** RETURN BYPASS VALVES TO OPERATING POSITION BEFORE RUNNING MOWER FOLLOWING REPAIRS.
- 8.3 If it is necessary to move mower when the engine is inoperable, the hydraulic drive pumps are equipped with bypass valves. Before moving the mower, turn the bypass valves counterclockwise one-half to one revolution. The valve stems on each pump are located near the top and are identified as a hex stud.
- 8.4 Your Bad Boy Mower Weighs: **OUTLAW SERIES:** **1180—1310 lbs**
**** Weights fluctuate with the addition of accessories.*
- 8.5 As you can see by the weights of the machines, you shouldn't ever try to push or pull a Bad Boy Mower by hand. This could cause serious bodily injury.
- 8.6 Hopefully, you'll never need to use this section of the manual. However, if you do, use extreme caution when moving machine!

SECTION 9: INSTRUMENTATION

- 9.1 **Electronic Hour Meter**—Registers Hour increments up to 9,999.9 total hours. This meter records the cumulative time the engine is running.



SECTION 10: MOWER BLADE MAINTENANCE

- 10.1 Check mower blades after each use. This is essential for maintaining well-groomed turf. Keep the blades sharp. If a dull blade is used for cutting, the grass will tear rather than cut. This could damage the grass leaving a brown frayed top on the grass within a few hours. A dull blade will also require more power from the engine.
- 10.2 NEVER attempt to straighten a bent blade by heating. NEVER attempt to weld a cracked blade. The blades can break and cause serious injury or death.
- 10.3 NEVER work with blades while engine is running or deck clutch is engaged.
- 10.4 ALWAYS place deck clutch in DISENGAGE position while performing maintenance.
- 10.5 Use blocks when you MUST work under mower.
- 10.6 ALWAYS wear thick gloves when handling blades.
- 10.7 ALWAYS check for blade damage if mower strikes rock, branch, or other objects that could potentially damage the blade. **(REMEMBER: NEVER CHECK BLADE WHILE ENGINE IS ON! NEVER CHECK BLADES WHILE BLADES ARE ENGAGED!)**

SECTION 11: GREASING THE BEARINGS

- 11.1 Park the machine on a level surface and disengage the blade control switch.
- 11.2 Move the motion control levers outward to the neutral position, engage parking brake, stop the engine, remove the key, and wait for all moving parts to stop before leaving the operating position.
- 11.3 Grease Type: NLGI grade #2 multi-purpose gun grease. Grease the front caster pivots. 11.4 Clean the grease fittings with a cloth. Scrape any paint off the front of the fitting(s).
- 11.5 Connect a grease gun to each fitting. Pump grease in fittings until grease begins to seep out of the bearings. Wipe up excess grease.
- 11.6 Refer to service manual section for grease fitting locations.

HOW TO CHOOSE THE RIGHT BLADE

Essentially there are only TWO basic styles of mowing blades used or approved for use on our current products:

- 1) The standard style of mowing blade is essentially designed for cutting grass and effectively discharging the clippings out from the deck to fall onto the lawn or to be captured in a grass collection system. Standard blades are also referred to as “2-in-1” (discharging & bagging) or “high-lift” blades (because they are designed to create a higher-lifting airflow).
- 2) Mulching blades generally have a more curved style surface and frequently include extra cutting surfaces along the blade edges. These blades may also come in a “+” design (which is actually two individual blades arranged in a perpendicular fashion to enhance mulching). The “+” blades are usually found on older style mowers; newer ones utilize blades with more advanced mulching technology. Mulching blades may also be referred to as “3-in-1” (mulching, discharging & bagging) or “all-purpose” blades.

Bear in mind that the re-circulating airflow design of 3/1 blades makes them less efficient at discharging grass clippings than a standard 2/1 blade. As with most all-purpose tools, there is some give and take as opposed to using a tool designed for a more specific purpose.

If you’re experiencing less-than-desired cutting or discharging performance with a 3/1 blade, you may want to check into using a 2/1 blade. Conversely, if you’re using a 2/1 blade and want to mulch clippings, you should see about the availability of mulching blades or a mulching kit.*

The type of blade installed on a new mower is a decision the retailer makes for each model of mower, based on the expected needs of most customers. If you’re unsure of which blade is on a particular model, inspect the blade. Blades have part numbers stamped into them. Then compare these part numbers with the unit’s Operator’s Manual or Parts List.

It is true there are many other styles of blades available. But since we don’t manufacture or recommend using these other aftermarket styles, we will leave them out of this discussion. Should you want more information on special application or aftermarket blades, you should contact the companies that make these products. NOTE: Customers using non-OEM blades do so at their own risk. The use of unapproved (non-OEM) blades may void any or all of the mower and engine factory warranties.

* **MULCHING KITS** – These generally consist of mulching blades and a mulching plug (which closes off the discharge opening to keep the clippings contained under the deck for re-cutting) plus any necessary hardware for installation. Please check with your parts distributor regarding the contents of a particular mulching kit.



SERVICE SECTION

SECTION 1: HYDROSTATIC SYSTEM

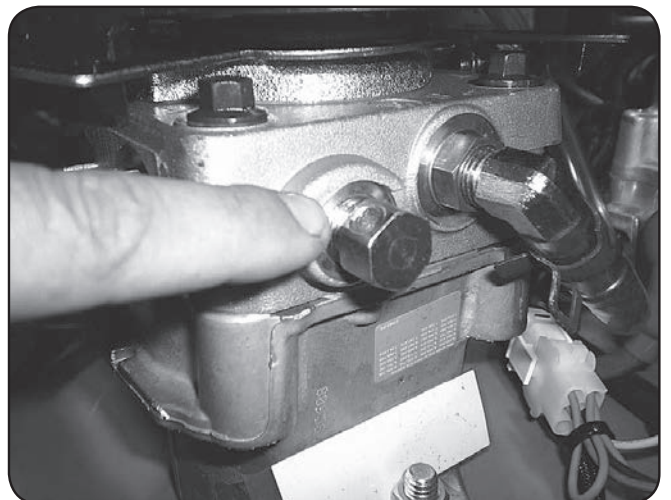
To change hydro oil on the Outlaw XP, remove oil return lines from side of hydro tank and place them in a disposable oil container. Start and run mower until oil level is reduced down to about 2" of oil remaining in the tank. Do not allow air to enter the oil lines in the bottom of the tank. Keep in mind that only about 75% of the hydro oil can be changed at a time. Use only 20w50 motor oil in the hydro system. (Conventional or synthetic oil may be used) Bad Boy recommends that the hydro oil and filters be changed within the first 50 hours of usage and every 500 hours thereafter or once a year.



Change hydro oil filters by unscrewing them from the filter head. Fill new filters with 20w50 motor oil before installing. Use only Bad Boy replacement filters. Using any other filter will result in damage to the hydro system and void the warranty.

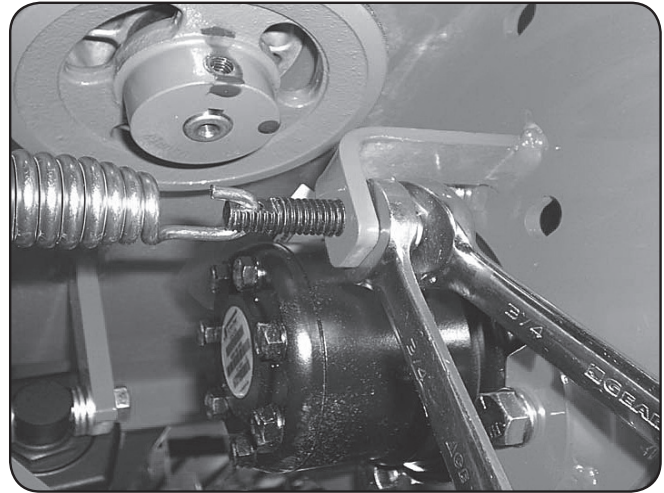


Once the system is refilled with oil, lift rear of mower until tires are off the ground. Start engine, release parking brake, stay clear of moving rear tires, loosen bypass bolt $\frac{1}{2}$ to $\frac{3}{4}$ turns, move drive arms forward and backward 4 to 6 times slowly. This will purge the air from the system. (the bypass bolt has a hole drilled through the side of the bolt head). This valve also serves as a neutral for moving the mower without the engine running.

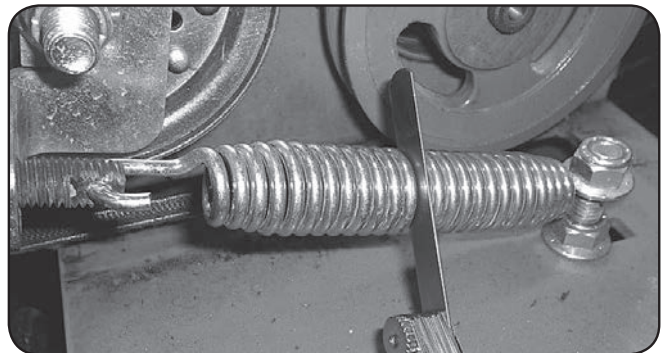


SECTION 2: DRIVE BELT

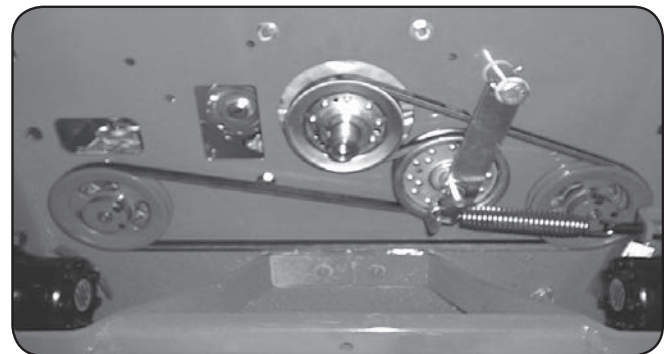
Shown above is a typical pump belt tensioner for Outlaw models.



Factory setting is about .030" (about the thickness of a credit card) between coils as shown.

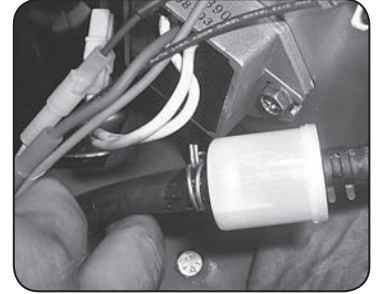


Shown to the right is a typical pump belt layout for most models.

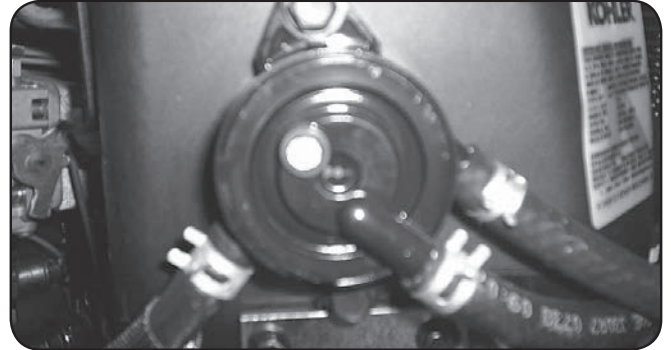


SECTION 3: ENGINE

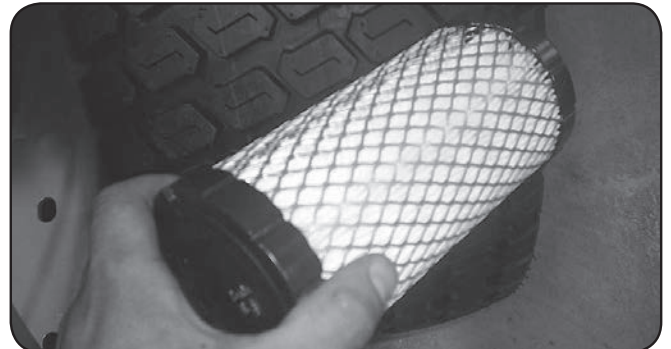
Most models have a drain hose installed on the engine, for easier oil changes. All gas engines used by Bad Boy use 10w30 and have an oil capacity of 2 quarts. Bad Boy recommends that the oil and filter be changed every 50 hours of usage.



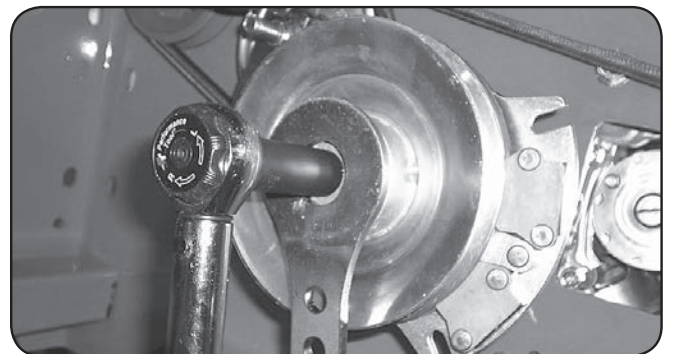
The fuel filter is located in the fuel line about 12" from the carburetor on the side of the engine. Note the direction of flow on the side of the filter. Replace once a year.



Most all models have a vacuum operated fuel pump bolted to the side or top of the engine. The pump has a "fuel in," a "fuel out," and a vacuum line coming from the engine block. Fuel flow can be checked here if the pump is suspected to be defective.



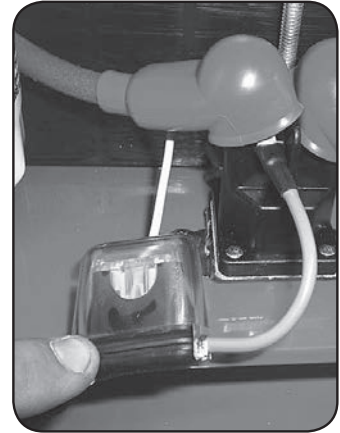
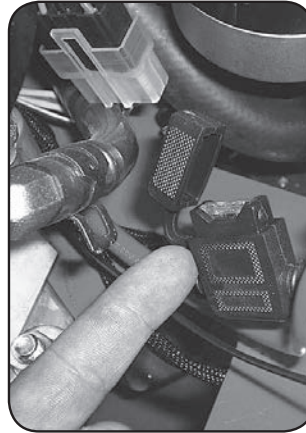
Remove and inspect air cleaner weekly. (More often in dusty conditions). Do not blow filter out with air pressure, this will cause the filter to be filled with tiny holes that will allow dirt to enter. Instead, tap filter on side to remove any debris. Replace at least once a year, more often in dusty conditions.



Torque the clutch bolt to 50 ft. lbs. on all models. Retorque at every oil change. (All Models)

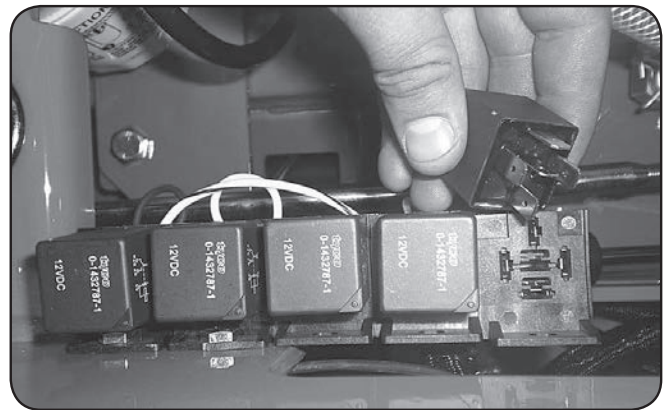
SECTION 4: ELECTRICAL SYSTEM

On most larger commercial engines (27 hp and up), the 25 amp main fuse is located about 3" from the starter on the engine. (shown in first image on right). On smaller commercial and light duty commercial mowers, the 25 amp main fuse is located just behind the battery connected to the starter solenoid. (Shown in second image on right).

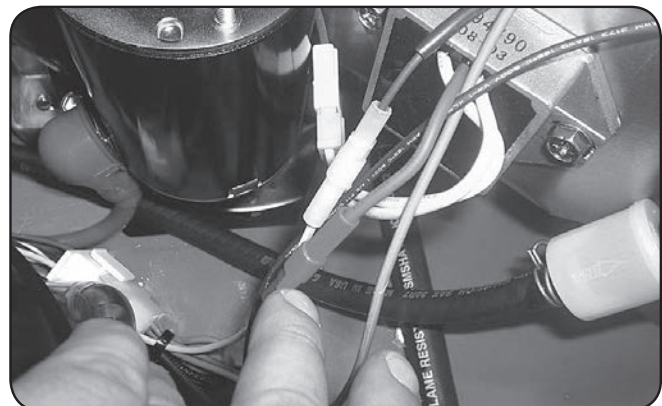


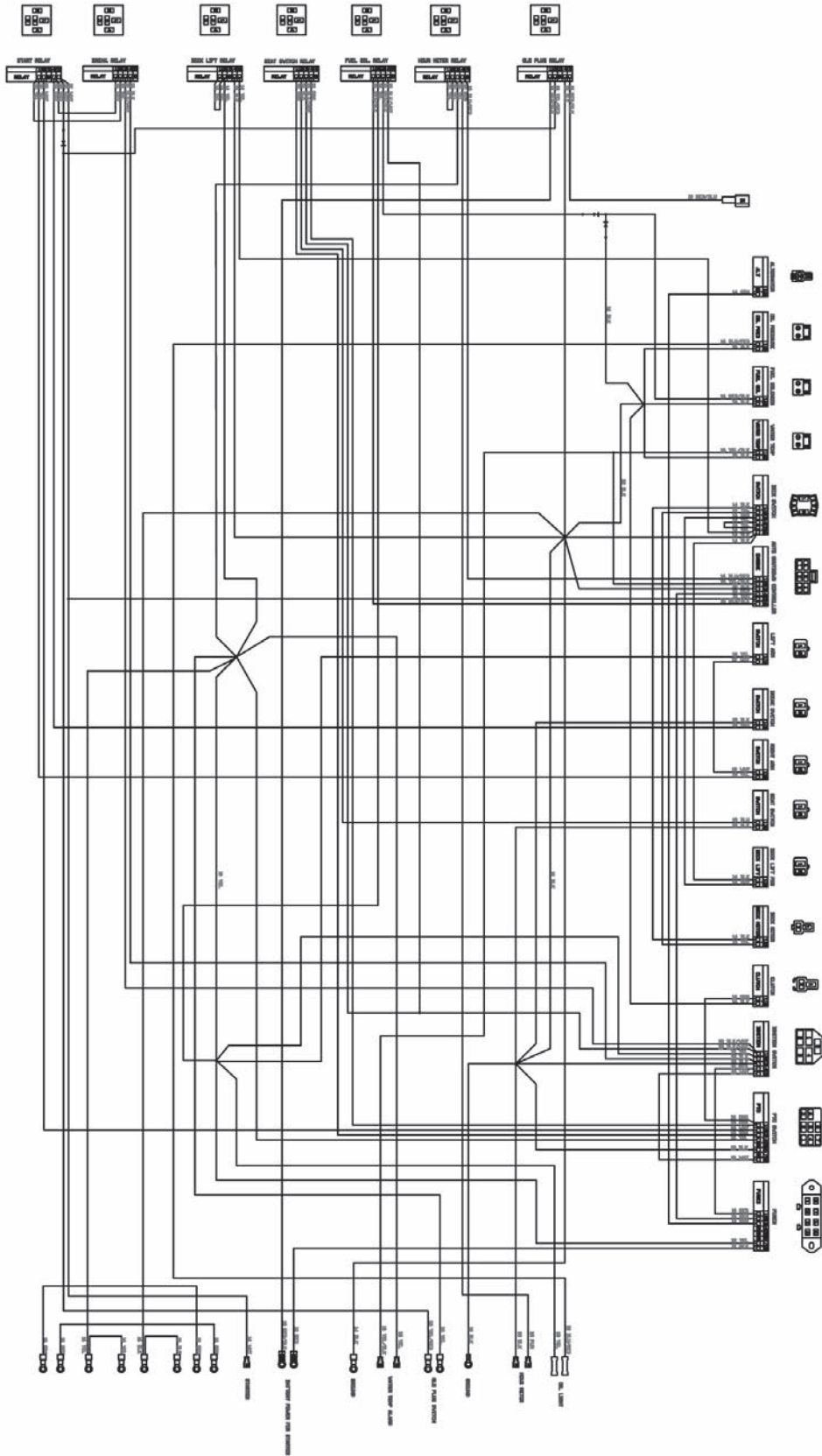
Always check the condition of the wiring harness ground cable. Ensure that the ground is connected, clean, and tight. On most models, the ground wire is connected to the negative side of the battery.

Check the condition and connection of the relays located under the seat. Ensure that they are clean and connected. Make sure that wire terminal ends have not been pushed out of the relay block.



On most models, the red wire coming out of the engine is the charging wire from the alternator. Check for 13.6—14.2 volts DC at this wire with engine at full throttle.





TELEPHONE LISTINGS
 1700 WASHINGTON ST.
 WILMINGTON, DE
 302-439-1234
 302-439-1235
 302-439-1236
 302-439-1237
 302-439-1238
 302-439-1239
 302-439-1240
 302-439-1241
 302-439-1242
 302-439-1243
 302-439-1244
 302-439-1245
 302-439-1246
 302-439-1247
 302-439-1248
 302-439-1249
 302-439-1250

ELECTREX, INC.
 WILMINGTON, DE
 302-439-1234
 302-439-1235
 302-439-1236
 302-439-1237
 302-439-1238
 302-439-1239
 302-439-1240
 302-439-1241
 302-439-1242
 302-439-1243
 302-439-1244
 302-439-1245
 302-439-1246
 302-439-1247
 302-439-1248
 302-439-1249
 302-439-1250

SECTION 5: FRAME

For non-suspension models, torque front fork castle nut to 40 ft. lbs. Be sure to spin the fork while torquing the nut to ensure that no bearing damage is done. The torque for suspension forks should be 50 ft. lbs.



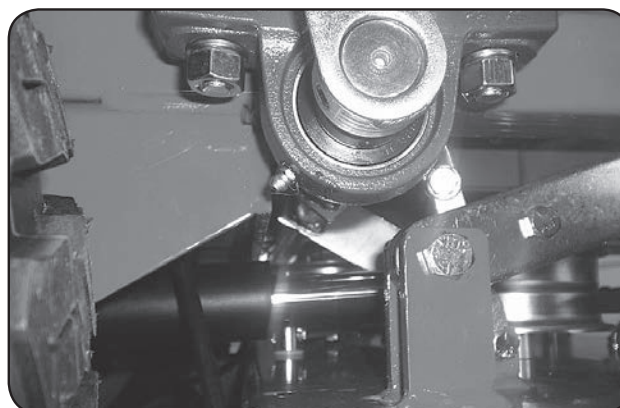
Torque rear wheel lugs to 65-75 ft.lbs.
Re-torque at every oil change.



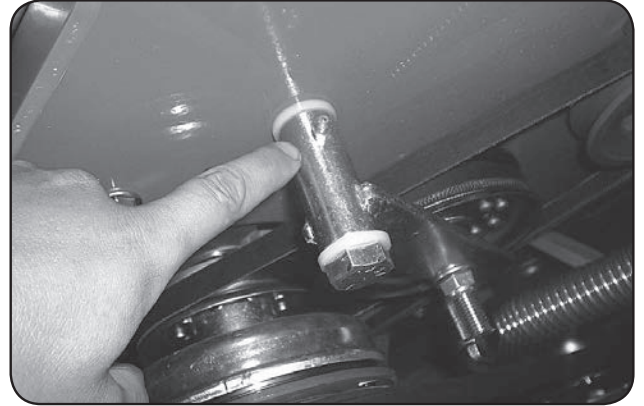
There is one grease fitting in each front wheel and one in each front caster bearing housing. Grease at every engine oil change.



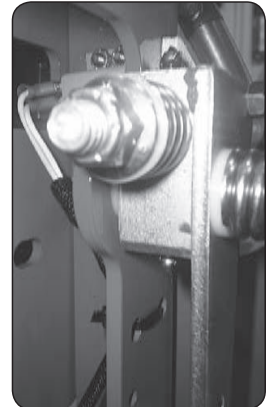
There is one grease fitting on each of the actuator bar pillow blocks located under the fuel tanks. Grease twice a season.



The pump belt tensioner is located under the engine and has a grease fitting at its pivot point. Grease at every engine oil change.



The deck belt tensioner is located at the rear of the deck and has a grease fitting on its pivot point. Grease at every engine oil change.



The control arm blocks have grease fittings located on the top and bottom of each block. Grease one time a year.

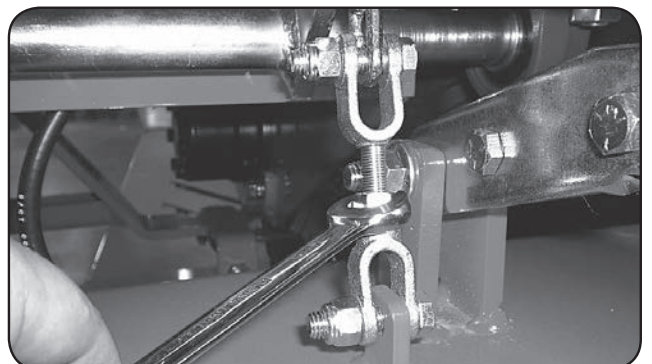
SECTION 6: CUTTING DECK

To remove the deck belt, lift up on the belt while rotating the pulley to roll the belt up and off of the pulley. (be sure not to get your fingers between belt and pulley).



To check the level of the deck, start on a flat surface and set the air pressure in all four tires. Raise the deck up, and measure all four corners of the deck to see if it is level from left to right and front to back. All decks should be level from left to right and have a 1/8" pitch down in the front.

If deck adjustments are necessary, start with the chain length adjusters. These adjusters affect the overall height of the deck and the level from left to right.



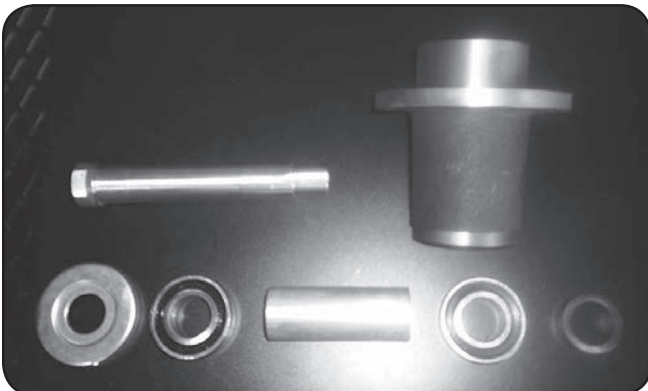
The deck spring tension is critical. If the tension is too much, it will cause the spring to break. If too loose, the belt can jump off or slip on the pulleys and cause a cut quality issue. With the deck up, the spring coil gap should be about .025" - .030" (about the thickness of a credit card). Spring tension adjustments can be made by sliding the bolt shown above forward or backward in the slot of the deck.



The condition of the blades can drastically affect the cut quality of the mower deck. Replace as necessary. These blades were used considerably too long. Resharpenering is recommended by professionals only to determine when the blade needs to be replaced and because of the need for rebalancing.



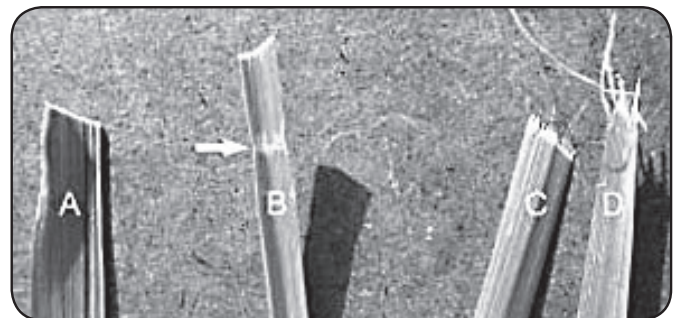
To change blades, it may be easier to use a piece of wood to keep the blade from turning so that the bolt can be loosened. Re-torque the blade bolts to 90-110 lbs. The blade spindles contain a sealed ball bearing in the top and bottom of the spindle. The bearings are replaceable for a more cost effective repair.





MOWING TIPS:

- Mow header strips at the ends of the lawn and around flower beds first. Make them wide enough that you can turn the mower around in the already mown section. Then mow back and forth between these header strips overlapping each lap by about 1/8 the width of the mower's deck.
- Don't cut your grass too short, particular for cool season grasses. Higher heights usually provide for a deeper root system, looks better, and is less likely to have weeds invading, particularly crabgrass.
- Don't remove any more than one third of the grass leaf at any one cutting. If circumstances arise that a lawn gets too tall and you just have to lop off a bunch to get caught up, bite the bullet and break it down into several mowings to get caught up with 3 or so days between cuttings.
- **NEVER SCALP YOUR LAWN.** Scalping severely damages the root system to such a degree that it may die.
- Avoid mowing when the grass is wet or when it's dark
- Avoid throwing grass clippings into the street and driveway where they can be washed into the sewer system. After mowing, clean up driveway and walkways.
- When mowing remove only a third with each cutting (except for the first mowing of the season when it's ok to remove more). You can safely leave clippings that will quickly decompose and add nutrients back into the soil. Contrary to popular opinion, grass clippings do not add to thatch buildup. Grass blades are made up of about 75% water.
- Mow your lawn in a different direction with each mowing, especially with lawns of shorter grass types. Altering the direction ensures a more even cut since grass blades will grow more erect and less likely to develop into a set pattern.
- Keep your mower's blade sharp, which means having it sharpened several times during the mowing season. Keep several blades around so you'll always have a sharp one on hand. Sharp blades cut the grass cleanly and help mulch clippings into small pieces which break down quickly.
- Don't forget to change your mower's oil at least once during the mowing season. For brand new mowers, change the oil after about 5 hours of operation during the initial break-in period.
- At the end of the mowing season use a fuel stabilizer in the remaining gasoline
- In the spring, don't use that old gas unless you properly used a fuel stabilizer, it can cause a number of problems. Better to use fresh gasoline to begin the new mowing season.
- **Leaf blade A** demonstrates what a leaf blade should look like after mowing with a sharp blade.
- **Leaf blade B** demonstrates a leaf blade that was injured by a dull mower blade.
- **Leaf blade C** was cut by the mower but indicates that the mower blade is not sharp enough. The shredded white tissue protruding from the leaf blades C and D is the vascular tissue of the plant.
- **Leaf blade D** has been mown for quite some time with a dull mower blade.



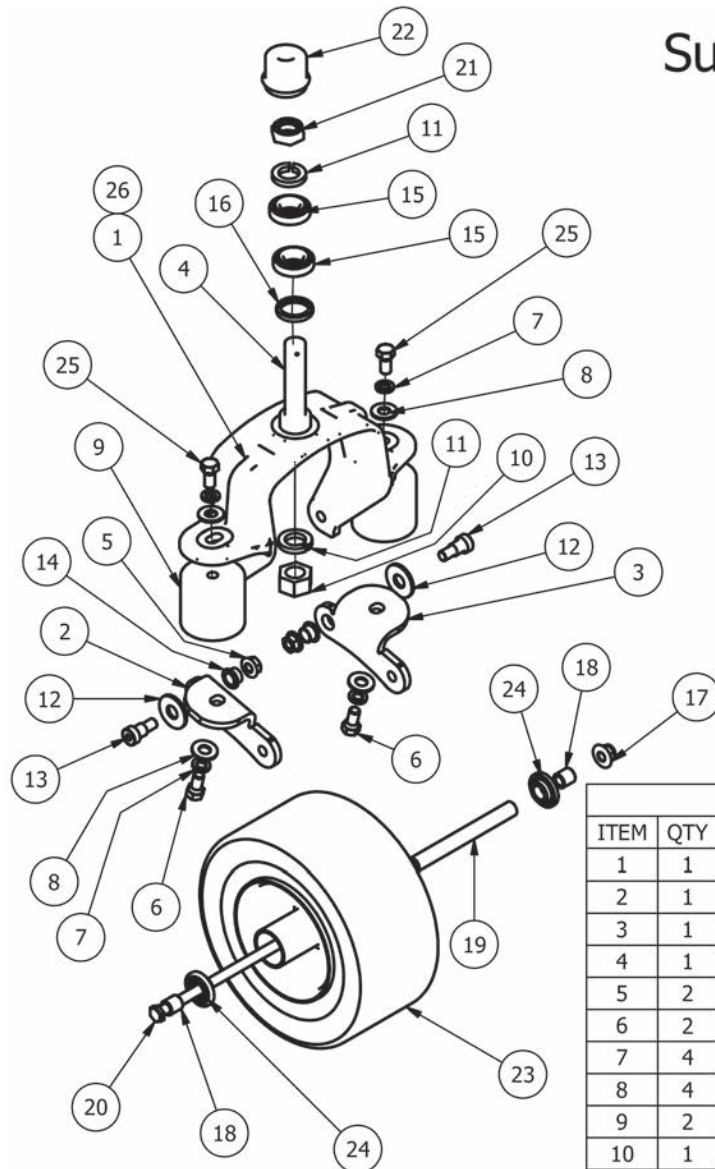
To bag or mulch?

Grass clippings do not contribute to thatch buildup or increase the chances of disease. If you mow your lawn at the right height, without removing any more than 1/3 of it's total height, clippings will quickly breakdown without a trace. These clippings contribute additional nitrogen and other nutrients to the soil and supply it with additional organic materials. Clippings from a 1000 sq. ft. lawn can add as much as 1 - 2 pounds of nitrogen back into the soil.

If you have a compost pile, then you may want to bag your clippings occasionally to add much needed green-matter to the compost pile. Make sure it is mixed thoroughly with brown matter to avoid a strong ammonia odor. **DO NOT COMPOST CLIPPINGS** after applying any weed control or weed-feed type product. Before adding clippings to the compost pile wait at least 3 mowings after these products have been applied.

PARTS SECTION

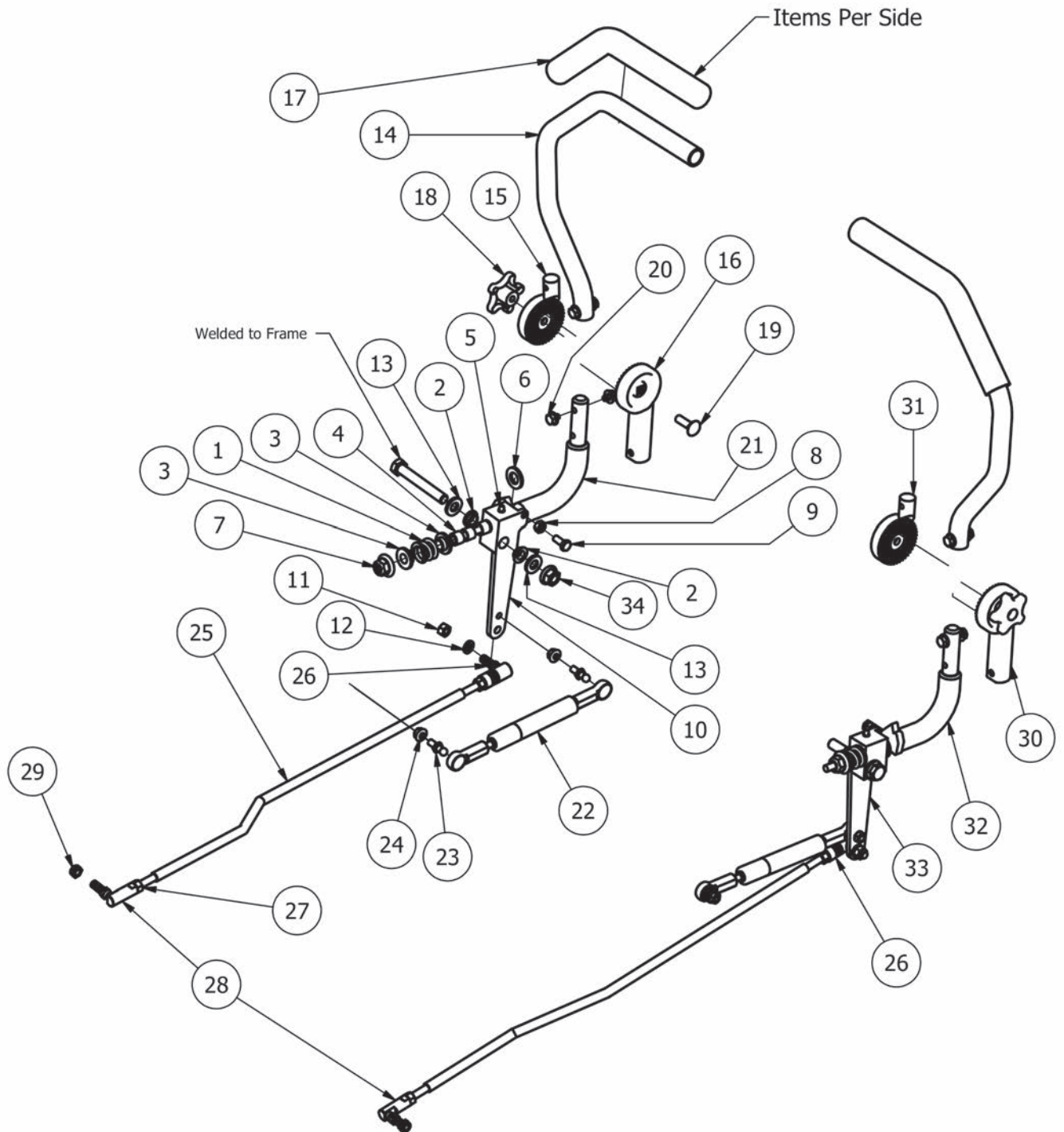
Suspension Fork Assembly



Suspension Fork Assembly			
ITEM	QTY	PART NUMBER	DESCRIPTION
1	1	023-0020-00	Suspension Fork Top/Side Combo
2	1	023-0012-00	Suspension Fork - Bottom Left
3	1	023-0013-00	Suspension Fork - Bottom Right
4	1	037-0010-00	Front Suspension Fork Spindle
5	2	013-5300-00	1/2" Flange Nut
6	2	018-2030-00	1/2" x 1" Hex Bolt
7	4	019-5007-00	1/2" Lock Washer
8	4	019-5702-00	1/2" Washer (Grade 8)
9	2	032-9002-00	Vibration Mount- Red Dot
10	1	013-6016-00	1" Fine Thread Nut
11	2	019-3000-00	1" Lock Washer
12	2	019-5038-00	5/8" Flat Washer
13	2	018-3001-00	5/8" x 5/8" Shoulder Bolt
14	2	032-5052-00	Bronze Bushing - SF - 2024-8
15	2	010-7001-00	Bearing
16	1	012-7003-00	Seal
17	1	013-8050-00	1/2-13 Nylon Flange Nut-Orange
18	2	025-5203-00	3/4 OD x 1/2 ID x 3\4 Length
19	1	025-5202-00	Front Wheel Spanner
20	1	018-3002-00	1/2" x 10" Bolt
21	1	013-9004-00	1" Fine Thread 1/2 Nut
22	1	014-7005-00	Dust Cover
23	1	022-3060-00	Tire and wheel assembly
24	2	022-7010-00	1-3/4" Bearing Large Bore Front Rim
25	2	018-2080-00	1/2-13 x 1-1/4 Hex Bolt
26	1	023-7915-98	Suspension Fork Assembly



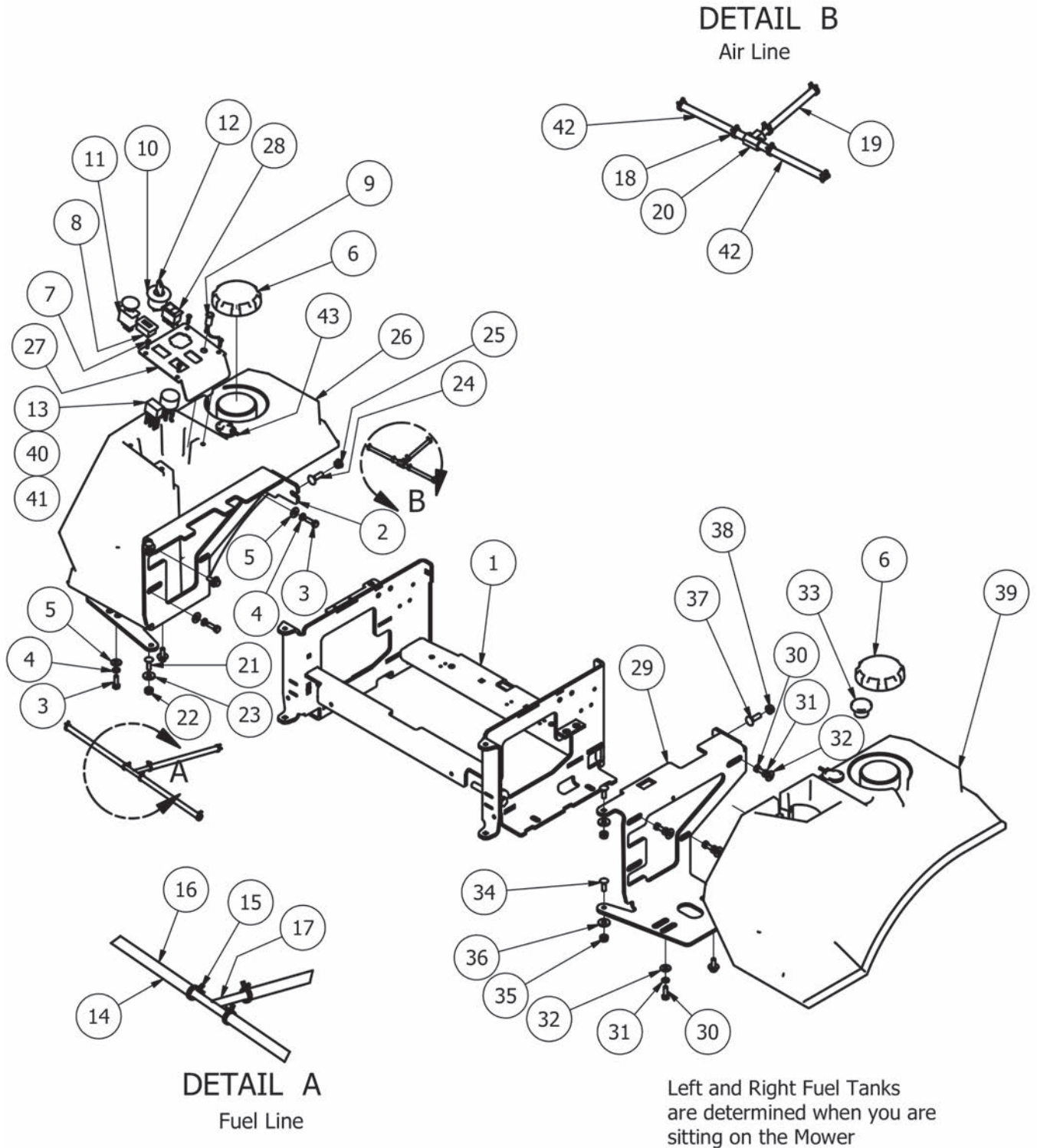
Outlaw XP Drive Arms



Outlaw XP Drive arms			
ITEM	QTY	PART NUMBER	DESCRIPTION
1	1	034-8025-00	Drive Lever Spring
2	2	032-5055-00	Bushing for 2012 Drive Arms
3	2	019-8027-00	.515 ID Nylon Shoulder Washer
4	3	032-8024-00	.507 ID Nylon Bushing
5	2	024-6034-00	1/4" Drive in Grease Fitting
6	1	019-6017-00	.635 ID Plastic Washer
7	1	013-8050-00	1/2-13 Nylon Flange Nut-Orange
8	1	013-8043-00	5/16" Nut
9	1	018-8063-00	5/16" x 3/4" Hex Bolt
10	1	027-8819-00	Drive Arm Lever Housing (Left)
11	1	013-6051-00	3/8" Fine Threaded Jam Nut
12	1	019-5037-00	3/8" Lock Washer
13	2	019-7000-00	.505x1x .125 Oil Impregnated washer
14	1	031-9010-00	Upper Tube-Adjustable Steering
15	1	031-9017-00	Upper adjuster-Steering Arm- Left
16	1	031-9014-00	Lower Adjuster - Steering Arm- Left
17	1	069-4010-00	Black Steering Grip
18	1	045-5000-00	Black Knob for Adjustable Steering Arm
19	1	018-5043-00	3/8" x 1 1/4" Carriage Bolt
20	4	018-2020-00	5/16-18 1/2 HWH Bolt-Steering
21	1	031-9020-00	Steering Arm Elbow - Left
22	1	087-3000-00	Steering Damper for Outlaw
23	2	018-2050-00	10mm Damper Ball Stud-Steering
24	2	013-9002-00	5/16" Flange Nut
25	1	035-5350-00	outlaw XP Push Rod
26	1	099-2009-00	Quick Release Ball Joint
27	2	013-6051-00	3/8" Fine Threaded Jam Nut
28	1	099-6046-00	3/8-24 Ball Joint
29	1	018-4011-00	3/8-24 Nylon Insert jam locknut
30	1	031-9015-00	Lower Adjuster - Steering Arm- Right
31	1	031-9016-00	Upper Adjust Steering Arm- Right
32	1	031-9025-00	Steering Arm Elbow - Right
33	1	027-8820-00	Drive Arm Lever Housing Right
34	1	013-0085-00	1/2-13 Hex Flange (GR.G) ZC



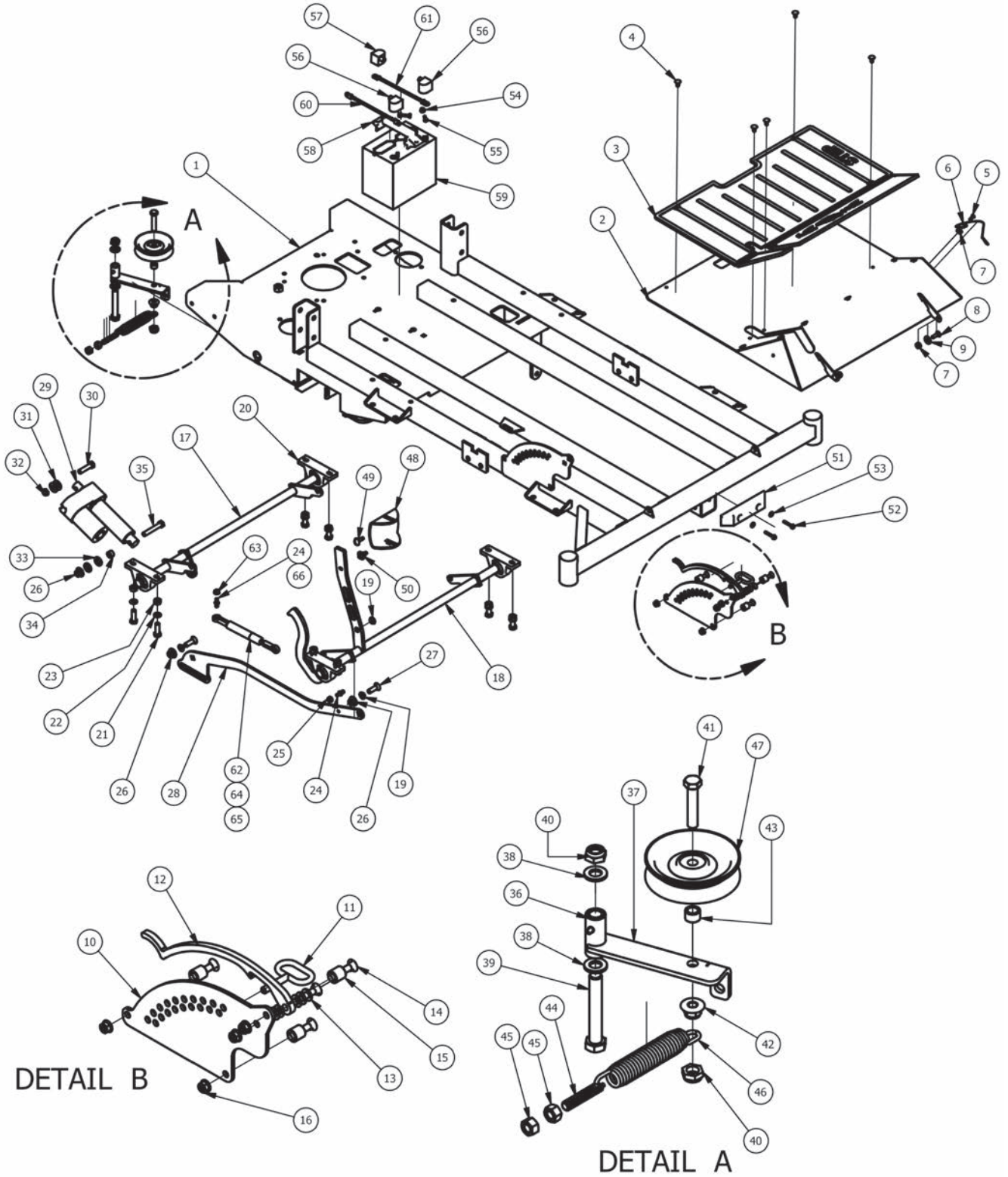
Outlaw XP Fuel Tanks & Control Panel Assemblies



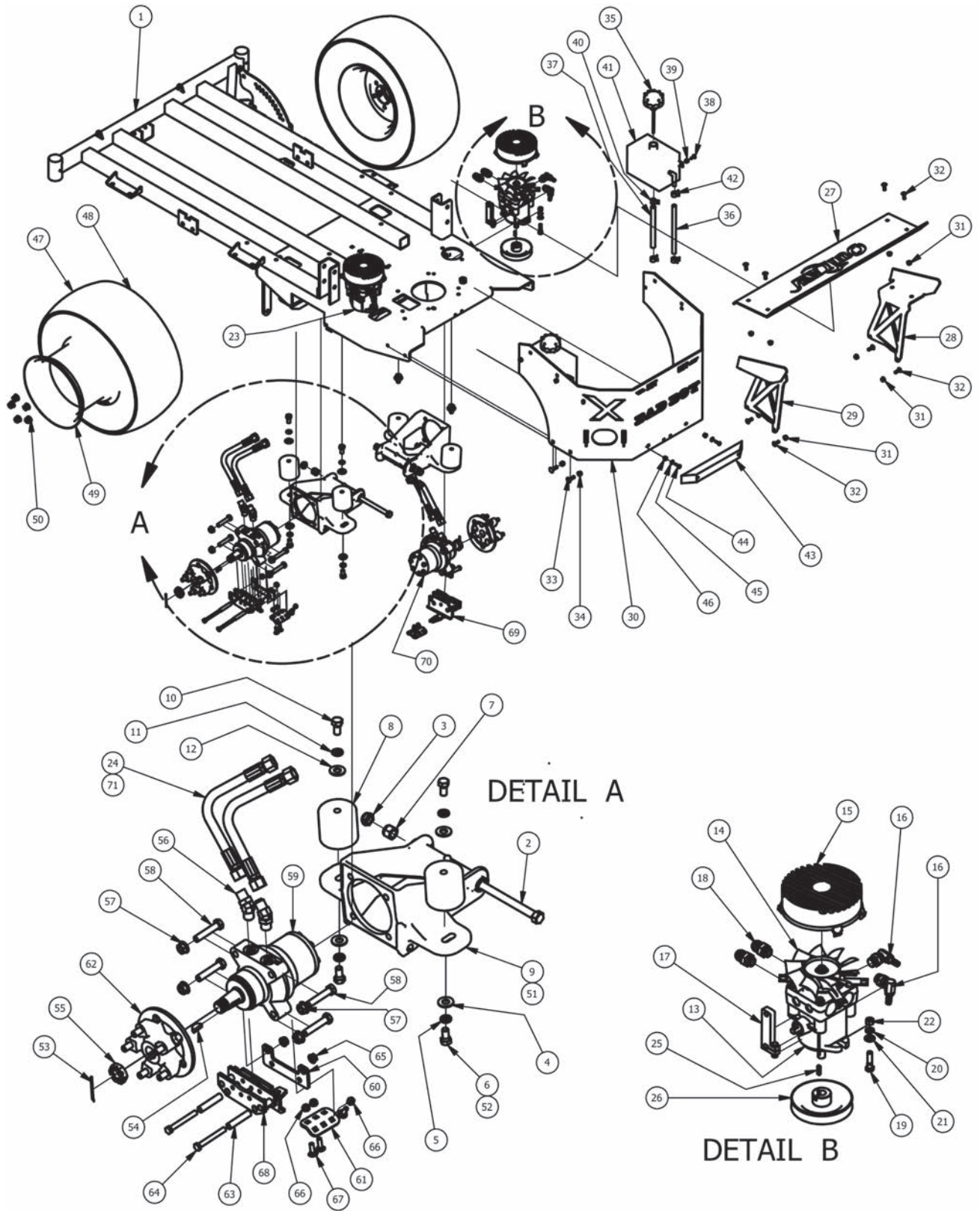
Outlaw XP Fuel Tanks & Control Panel Assemblies			
ITEM	QTY	PART NUMBER	DESCRIPTION
1	1	080-5000-00	Outlaw Seat Bracket 2012
2	1	031-2030-00	Outlaw Tank Support 2012 (Right)
3	5	018-2007-00	5/16" x 1" Bolt
4	5	019-8051-00	5/16" Lock Washer
5	5	019-8044-00	5/16" Flat Washer
6	2	066-8083-00	3.5" Tethered Fuel Cap
7	4	018-2010-00	10-32 x 3/8" Button Socket Head Bolt
8	1	083-4013-00	Tachometer
9	1	089-1000-00	Oil Light
10	1	077-8076-00	Ignition Switch
11	1	056-8058-00	PTO Engager
12	1	042-9000-00	Ignition Key
13	1	086-0045-00	Wiring Harness- FX-850V kawasaki Outlaw
14	1	051-7070-00	Fuel line Assembly -31 Outlaw
15	6	072-8069-00	1/4 fuel clamp
16	3	051-8067-00	1/4" fuel line hose
17	1	073-8068-00	fuel line T
18	6	072-8070-00	3/16 vinyl clamp
19	3	051-8073-00	3/16 vinyl tubing
20	1	073-2000-00	Brass fuel line T
21	2	018-8065-00	5/16" x 1" Carriage Bolt
22	2	013-8049-00	5/16-18 Nylon Flange Nut
23	2	019-6042-00	.360 ID Plastic Washer
24	1	018-5043-00	3/8" x 1 1/4" Carriage Bolt
25	1	013-5202-00	3/8" Nylock Flange Nut
26	1	067-8001-50	2012 EPA Fuel Tank - XP-XTRM - Right
27	1	079-3350-00	Outlaw Control Panel (Rocker Switch)
28	1	078-3000-00	Rocker Deck Lift Switch - 2011
29	1	031-2031-00	Tank Support 2012 Outlaw (Left)
30	5	018-2007-00	5/16" x 1" Bolt
31	5	019-8051-00	5/16" Lock Washer
32	5	019-8044-00	5/16" Flat Washer
33	1	067-4050-00	Fuel Gauge-Tanks w/downtube
34	2	018-8065-00	5/16" x 1" Carriage Bolt
35	2	013-8049-00	5/16-18 Nylon Flange Nut
36	2	019-6042-00	.360 ID Plastic Washer
37	1	018-5043-00	3/8" x 1 1/4" Carriage Bolt
38	1	013-5202-00	3/8" Nylock Flange Nut
39	1	067-8000-50	2012 EPA Fuel Tank- XP-XTRM- Left
40	1	086-0032-00	Wiring Harness 36hp Vanguard Outlaw
41	1	086-1201-00	Relay Terminal
42	1	051-8072-00	1/4" Vinyl Tubing - Black
43	1	067-6052-00	Rollover Valve-White



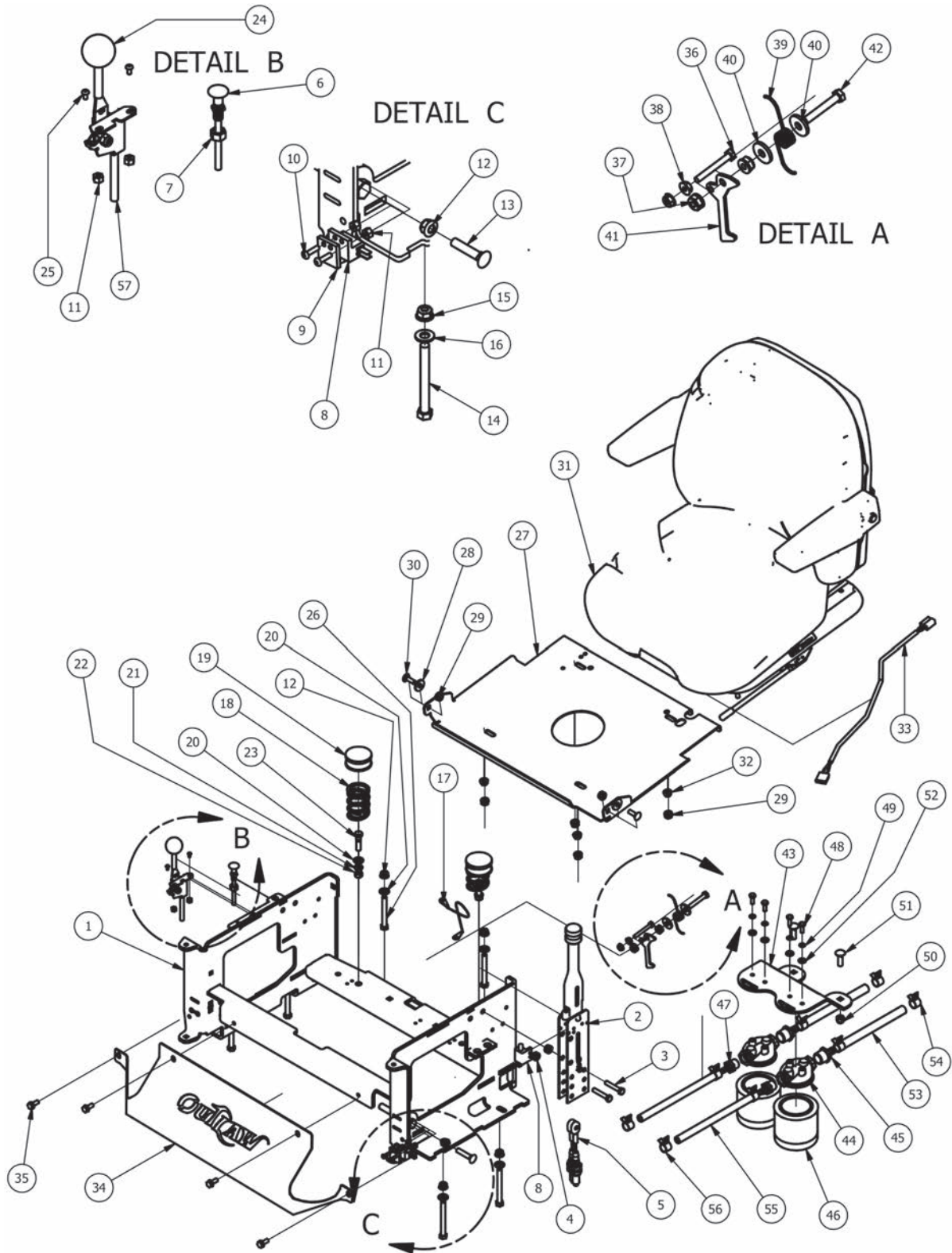
Outlaw XP



Outlaw XP Frame, Actuator, Floor Board, Height Indicator, and Pump Idler Assemblies			
ITEM	QTY	PART NUMBER	DESCRIPTION
1	1	070-5360-00	Outlaw XP Frame
2	1	079-3100-00	Outlaw Floor Panel
3	1	081-2008-00	Foot Assist Floor Mat
4	11	040-6080-00	Ratchet Fastener
5	1	018-8064-00	1/4" x 5/8" BS C/S 18-8 SS
6	1	064-2006-00	Floor board Cable W/ Swivel Ends
7	3	013-8049-00	5/16-18 Nylon Flange Nut
8	2	018-8065-00	5/16" x 1" Carriage Bolt
9	2	019-6042-00	.360 ID Plastic Washer
10	1	026-2100-00	Outlaw Height Indicator Plate (Outer)
11	1	040-4000-00	Deck height lever pin
12	1	031-0100-00	Outlaw Deck Lever Lock
13	5	019-2003-00	.390 x .750 x .062 Nylon Washer
14	4	018-0009-00	3/8 x 1 3/4 Carriage Bolt
15	3	025-5203-00	3/4 OD x 1/2 ID x 3/4 Length
16	4	013-5202-00	3/8" Nylock Flange Nut
17	1	028-6020-00	Outlaw Actuator Bar (Rear)
18	1	028-6010-00	Outlaw Front Actuator Bar Assembly
19	2	032-3000-00	Bushing- SF-1620-4
20	4	017-7008-00	pillow block 2bolt sealmaster
21	8	018-5006-00	1/2" x 1 1/2" Hex Bolt
22	8	019-5007-00	1/2" Lock Washer
23	8	013-7018-00	1/2" Hex Nut
24	2	018-2050-00	10mm Damper Ball Stud-Steering
25	1	013-9002-00	5/16" Flange Nut
26	3	013-8050-00	1/2-13 Nylon Flange Nut-Orange
27	2	018-0008-00	1/2 x 1-1/2 Carriage Bolt
28	1	028-6055-00	Outlaw Susp Frame Linkage Bar
29	1	035-7033-00	Actuator
30	1	018-5049-00	1/2-13x2 GR 5 Hex Bolt
31	2	019-5702-00	1/2" Washer (Grade 8)
32	1	018-4010-00	1/2" Nylcock Nut (1/2 Jam)
33	2	019-6017-00	.635 ID Plastic Washer
34	1	025-7036-00	1/2 x 1/2 Spacer
35	1	018-7016-00	1/2-13 x GR 5 Hex Bolt Zinc
36	1	039-5944-98	Pump Idler assembly Componets 37,41,42,43,47
37	1	039-5944-00	Pump Idler Bracket
38	2	019-6017-00	.635 ID Plastic Washer
39	1	018-5311-00	5/8" x 4" Hex Bolt
40	2	013-5301-00	5/8" Nylock (1/2 Jam)
41	1	018-6036-00	1/2-13 x 2 3/4 GR 5 Bolt
42	1	013-8050-00	1/2-13 Nylon Flange Nut-Orange
43	1	025-7036-00	1/2 x 1/2 Spacer
44	1	018-2004-00	All Thread-pump Idler Tensioner
45	2	013-7018-00	1/2" Hex Nut
46	1	034-2009-00	Pump Idler Spring
47	1	033-6001-00	4 3/4" Idler Pulley
48	1	026-0013-00	Outlaw Deck Lift Pedal
49	1	030-0010-00	5/16-18 x1 Thumb Screw Zinc
50	1	040-5000-00	Pull Pin
51	1	029-7038-00	8" Rubber Bumper
52	2	030-7039-00	1/4" x 1 1/2" Self Tapping Screw
53	2	019-7040-00	1/4" Flat Washer
54	2	013-9001-00	1/4-20 Hex Flange Nuts Zinc w/Serrations
55	2	018-8052-00	1/4-20 x 3/4 GR 5 Hex Bolts Zinc
56	2	103-5400-00	Black Boot For ground cable
57	1	103-5300-00	Red Boot
58	1	043-8929-00	Hold Down Assembly
59	1	068-8049-00	Battery
60	1	086-0005-00	Starter to chassis cable
61	1	064-5300-00	Red battery cable
62	1	087-5400-00	200 lb Gas Spring- 54" Deck outlaw
63	1	013-9002-00	5/16" Flange Nut
64	1	087-7200-00	300 lb Gas Spring 72" Deck Outlaw
65	1	087-6100-00	250 lb Gas Spring 61" Deck outlaw
66	2	018-2049-00	13mm Ball Stud for 72" Deck Only



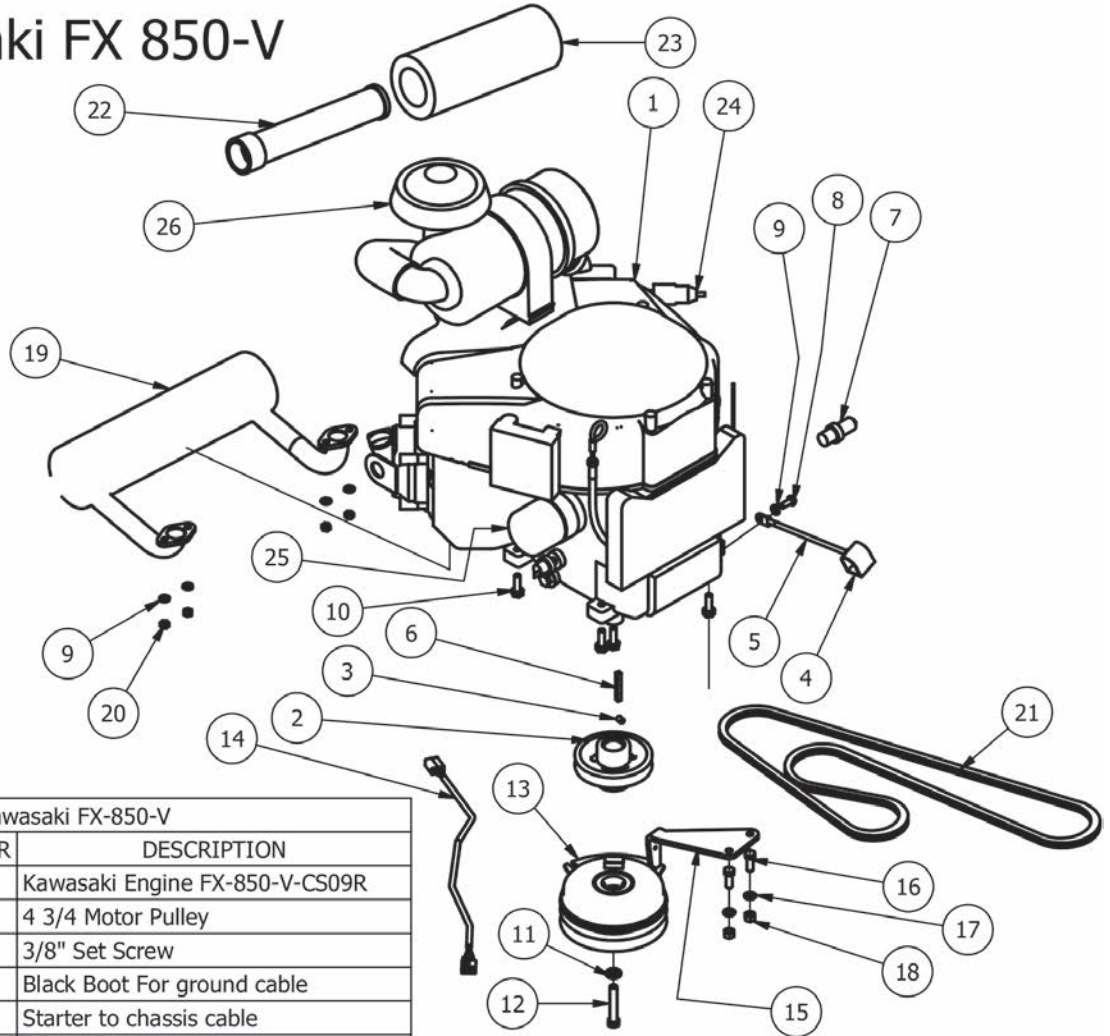
Outlaw XP Frame Assembly			
ITEM	QTY	PART NUMBER	DESCRIPTION
1	1	070-5360-00	2012 Suspension Outlaw
2	2	018-2051-00	5/8"x10" Hex Bolt (Grade8)
3	2	013-5301-00	5/8" Nylock (1/2 Jam)
4	4	019-5702-00	1/2" Washer (Grade 8)
5	4	019-5007-00	1/2" Lock Washer
6	4	018-2030-00	1/2" x 1" Hex Bolt
7	2	013-7021-00	5/8 Std NC Nylock Nut
8	4	032-9000-00	Vibration Mount-Green Dot
9	2	070-8000-00	60" Suspension Kit Wheel Motor
10	4	018-2030-00	1/2" x 1" Hex Bolt
11	4	019-5007-00	1/2" Lock Washer
12	4	019-5702-00	1/2" Washer (Grade 8)
13	1	050-3000-00	Left Pump 12cc
14	1	015-9999-00	Hydraulic Fan
15	1	014-5500-00	Fan Guard for 10A
16	2	024-5206-00	3/8" X 9/16"-18 ORB Male Fitting (S,A-2 P-4)
17	1	031-5333-00	Pump Arm
18	2	024-5343-00	Hydraulic Pump Fitting 6400-10
19	2	018-6012-00	3/8" x 1 1/2" Hex Bolt
20	2	019-5037-00	3/8" Lock Washer
21	2	019-5029-00	3/8" Flat Washer
22	2	013-6014-00	3/8" Hex Nut
23	1	050-3050-00	Right Pump 12cc
24	4	051-2000-00	18" hose Assembly W/forged 45 Degrees
25	2	042-5301-00	5MM X 1 Square Key Stock
26	2	033-5003-00	5" Pump Pulley
27	1	026-1040-00	Outlaw Spoiler Plate
28	1	201-1040-00	Outlaw Susp Spoiler Bracket (Right)
29	1	201-1041-00	Outlaw Susp Spoiler Bracket (Left)
30	1	026-2200-00	Outlaw Rear Cover Plate Susp Frame
31	8	013-9002-00	5/16" Flange Nut Zinc W/Serrations
32	8	018-8065-00	5/16" x 1" Carriage Bolt
33	4	018-5043-00	3/8" x 1 1/4" Carriage Bolt
34	4	013-5041-00	3/8 Nylock Nut
35	1	066-8050-00	Hydraulic Tank Cap W/Dipstick
36	1	051-8063-00	3/8 clear hose price per foot
37	1	051-8064-00	1/2 Clear Braided Hose Priced/Foot
38	2	019-8040-00	1/4" x 3/4" Carriage Bolt
39	2	013-2050-00	1/4-20 Nylon Insert flange Nut
40	2	072-8066-00	1/2 Hose Clamp
41	1	067-8050-00	Outlaw Hydraulic Tank
42	2	072-8065-00	3/8 hose clamp
43	1	029-7037-00	14" Rubber Bumper
44	2	018-4702-00	1/4-20 x 1-1/4 GR 5 Hex Bolt
45	2	019-7040-00	1/4" Flat Washer
46	2	013-2050-00	1/4-20 Nylon Insert flange Nut
47	2	022-4000-00	24 x 12.00-10 Tire and Wheel assembly
48	1	022-4005-00	24 x 12.00 - 10 outlaw Tire
49	1	022-4010-00	10" Wheel For Outlaw
50	10	013-3000-00	Acorn Lug Nut
51	1	070-8001-00	72" Suspension Kit Wheel Motor
52	2	018-2080-00	1/2-13 x 1/1/4 Hex Bolt Only on 60" Suspension kit wheel Motor
53	1	020-7022-00	1/8x2-1/4 cotter pin Zinc
54	1	042-7041-00	Woodruff Key
55	1	013-7050-00	1" Castle Nut for Wheel Motor
56	2	024-0050-00	45 Degree Fitting 31704-10-10
57	4	013-5300-00	1/2" Flange Nut
58	4	018-6036-00	1/2" x 2 1/2" Hex Bolt
59	1	015-4501-00	15cc Parker Wheel Motor- Left
60	1	039-2140-00	Ausco Caliper Mounting Bracket
61	1	039-2141-00	Ausco Brake Cable Bracket
62	1	092-1075-00	Drum Brake Hub & Rotor Assembly
63	2	025-0006-00	Ausco Brake Spacer
64	2	018-4700-00	3/8-16x3 grade 5 hex bolt
65	2	013-5201-00	3/8" Flange Nut
66	3	013-8047-00	3/8 Std NC Nylock Nut
67	3	018-8065-00	5/16" x 1" Carriage Bolt
68	1	092-1050-00	Left Brake Caliper
69	1	092-1000-00	Right Brake Caliper
70	1	015-4500-00	15cc Parker Wheel Motor- Right
71	4	051-6005-00	18" Hydraulic Hose Only



ITEM	QTY	PART NUMBER	DESCRIPTION
1	1	080-5000-00	Outlaw Seat Bracket 2012
2	1	069-8054-00	Hand Brake
3	2	018-8059-00	5/16" x 1 3/4" Hex Bolt
4	2	013-8049-00	5/16-18 Nylon Flange Nut
5	2	064-8056-00	Long Brake Cable
6	1	054-8017-00	Choke
7	1	013-6051-00	3/8" Fine Threaded Jam Nut
8	3	077-8073-00	Safety Switch
9	2	025-6041-00	Switch Block Plastic
10	4	018-8056-00	10-24 x 1 BS C/S 18-8 SS
11	6	013-5019-00	10-24 Nylon Insert Locknut
12	4	013-5202-00	3/8" Nylock Flange Nut
13	2	018-0009-00	3/8 x 1 3/4 Carriage Bolt
14	4	018-1010-00	3/8-16x3-1/2 grade 5 hex bolt
15	4	013-5202-00	3/8" Nylock Flange Nut
16	4	019-5029-00	3/8" Flat Washer
17	1	064-8081-00	Seat Cable
18	2	034-8045-00	Seat Spring
19	2	014-8047-00	Spring Cap Cover
20	4	019-5029-00	3/8" Flat Washer
21	2	019-5037-00	3/8" Lock Washer
22	2	013-6014-00	3/8" Hex Nut
23	2	018-6012-00	3/8" x 1 1/2" Hex Bolt
24	1	055-2012-00	Universal Throttle Head - 2012
25	2	018-5200-00	10-24 X 5/8 BS C/S 18-8 SS
26	2	018-4700-00	3/8-16x3 grade 5 hex bolt
27	1	026-2006-00	2006 Seat Plate
28	2	019-6042-00	.360 ID Plastic Washer
29	6	013-8049-00	5/16-18 Nylon Flange Nut
30	2	018-8065-00	5/16" x 1" Carriage Bolt
31	1	071-5000-00	2010 Outlaw Seat
32	4	013-9002-00	5/16" Flange Nut
33	1	036-5300-00	Seat Switch Adapter
34	1	014-2100-00	Outlaw Cooler Cover
35	4	030-7042-00	5/16 x 3/4 washer head type F screw
36	1	018-0011-00	1/4-20 x 2 Hex Bolt
37	2	013-8049-00	5/16-18 Nylon Flange Nut
38	2	013-9001-00	1/4-20 Hex Flange Nuts Zinc w/Serrations
39	1	034-1075-00	Torsion Spring for Seat latch
40	3	019-6042-00	.360 ID Plastic Washer
41	1	031-0200-00	Seat Latch Lever
42	1	018-0012-00	5/16-18 X 2 Hex C/S (GR.5) ZC
43	1	039-2130-00	Outlaw Filter Bracket
44	2	062-8013-00	Filter Head-Hydraulic Filter
45	2	024-5050-00	Filter Head Fitting 1/2 x 1/2
46	2	063-8014-00	Hydraulic filter
47	2	024-5342-00	1/2" Pipe to 3/8" Barb
48	4	018-8052-00	1/4" x 3/4" Hex Bolt
49	4	019-4008-00	1/4" Lock Washer
50	2	013-5041-00	3/8 Nylock Nut
51	2	018-5043-00	3/8" x 1 1/4" Carriage Bolt
52	4	019-7040-00	1/4" Flat Washer
53	2	051-8064-00	1/2 Clear Braded Hose Priced/Foot
54	4	072-8066-00	1/2 Hose Clamp
55	2	051-8063-00	3/8 clear hose price per foot
56	4	072-8065-00	3/8 hose clamp
57	1	055-8021-75	Outlaw Throttle Cable Only

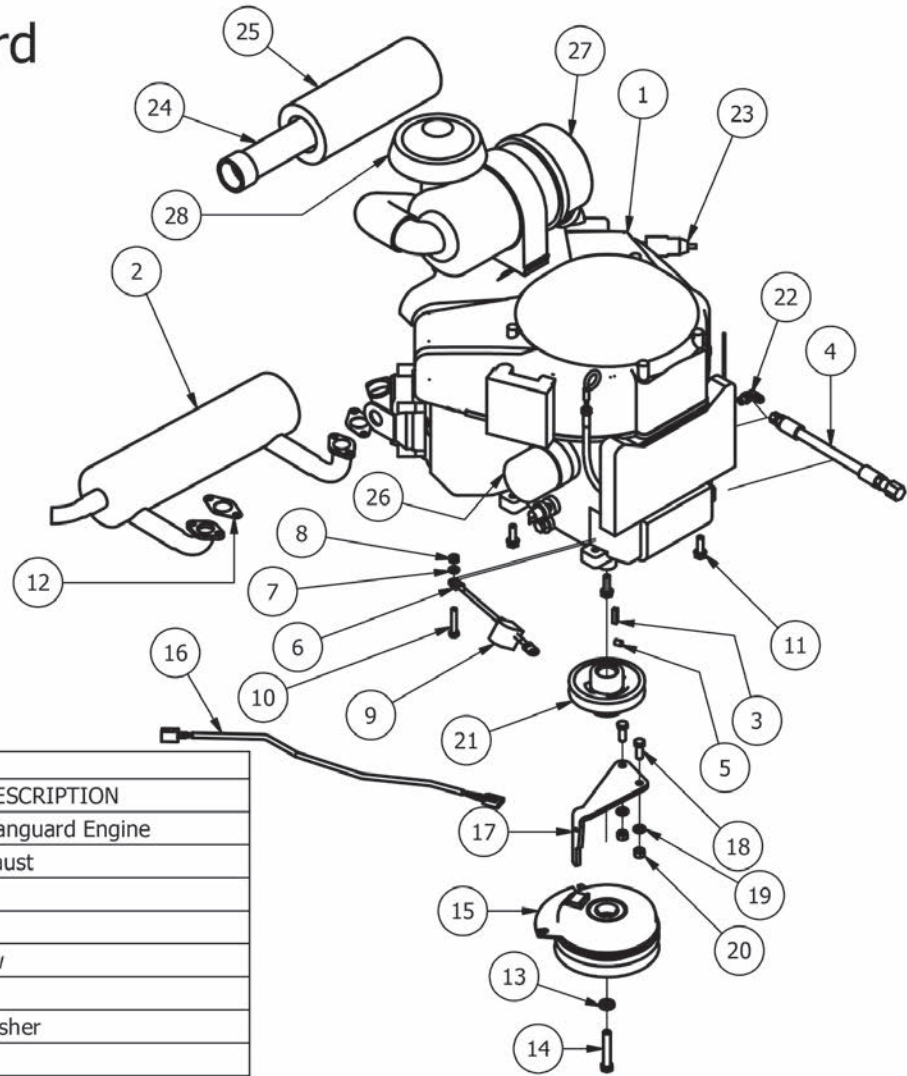


Kawasaki FX 850-V



Kawasaki FX-850-V			
ITEM	QTY	PART NUMBER	DESCRIPTION
1	1	015-0031-00	Kawasaki Engine FX-850-V-CS09R
2	1	033-5035-00	4 3/4 Motor Pulley
3	1	030-6029-00	3/8" Set Screw
4	1	103-5400-00	Black Boot For ground cable
5	1	086-0005-00	Starter to chassis cable
6	1	042-5020-00	1/4 x 2 Square key Stock
7	1	015-5404-00	oil drain
8	1	018-5321-00	M8x1.20x20MM Hex head bolt
9	5	019-8051-00	5/16" Lock Washer
10	4	018-1075-00	3/8 x 1 1/8 bolt
11	1	019-8053-00	7/16" Lock Washer
12	1	018-5300-00	7/16" x 2 1/2" Hex Bolt
13	1	070-1000-00	Clutch Assembly
14	1	070-2000-00	Clutch Pigtail
15	1	057-5906-00	PTO Engager Holder
16	2	018-6049-00	3/8" x 1" Hex Bolt
17	2	019-5037-00	3/8" Lock Washer
18	2	013-6014-00	3/8" Hex Nut
19	1	015-0035-00	Kawasaki Exhaust
20	4	013-0075-00	M8-1.25 Zinc Nut
21	1	041-5048-00	Pump Belt
22	1	063-8020-00	Canister Air Filter- Inner
23	1	063-8019-00	Canister Air Filter- Outer
24	1	063-6000-00	Universal inline Fuel Filter
25	1	063-8017-00	Kawasaki Oil Filter
26	1	063-2045-00	Rain Cap-Fits all Canisters

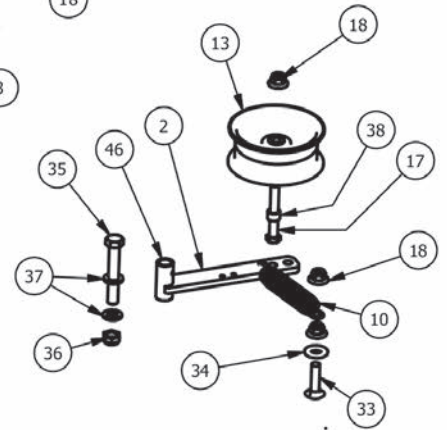
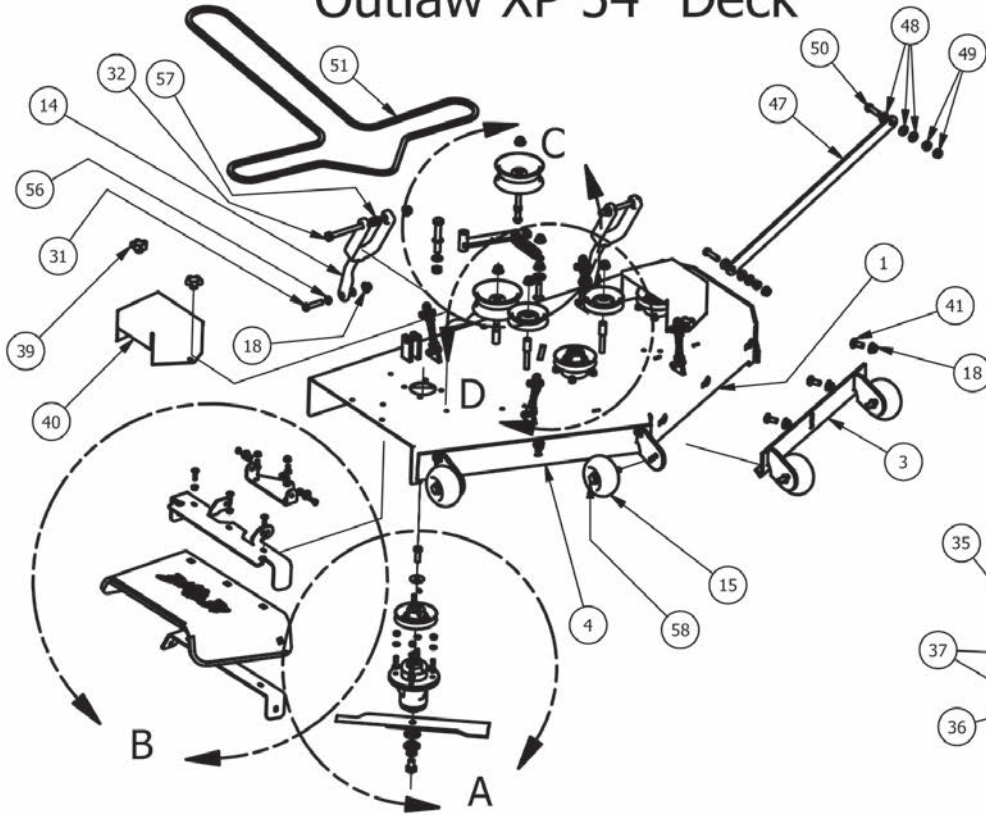
36HP Vanguard



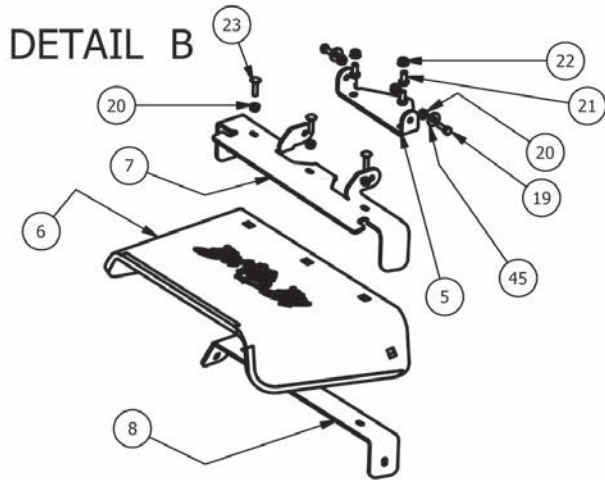
36HP Vanguard			
ITE	QTY	PART NUMBER	DESCRIPTION
1	1	015-3600-00	36Hp Briggs Vanguard Engine
2	1	015-0034-00	Vanguard Exhaust
3	1	042-6030-00	1/4" x 1" Key
4	1	051-5400-00	Oil drain Hose
5	1	030-0050-00	5/16 Set Screw
6	1	064-8061-00	Ground Cable
7	1	019-8051-00	5/16" Lock Washer
8	1	013-8043-00	5/16" Nut
9	1	103-5400-00	Black Boot For ground cable
10	1	018-8059-00	5/16" x 1 3/4" Hex Bolt
11	3	018-1075-00	3/8 x 1 1/8 bolt
12	2	015-0025-00	Exhaust Gasket
13	1	019-8053-00	7/16" Lock Washer
14	1	018-5300-00	7/16" x 2 1/2" Hex Bolt
15	1	070-1000-00	Clutch Assembly
16	1	070-2000-00	Clutch Pigtail
17	1	057-5906-00	PTO Engager Holder
18	2	018-6049-00	3/8" x 1" Hex Bolt
19	2	019-5037-00	3/8" Lock Washer
20	2	013-6014-00	3/8" Hex Nut
21	1	033-5035-00	4 3/4 Motor Pulley
22	1	036-5400-00	Adaptor For Briggs oil drain
23	1	063-6000-00	Universal inline Fuel Filter
24	1	063-8020-00	Canister Air Filter- Inner
25	1	063-8019-00	Canister Air Filter- Outer
26	1	063-8018-00	Briggs Oil Filter
27	1	015-2705-00	Complete Canister
28	1	063-2045-00	Rain Cap Fits all Canisters



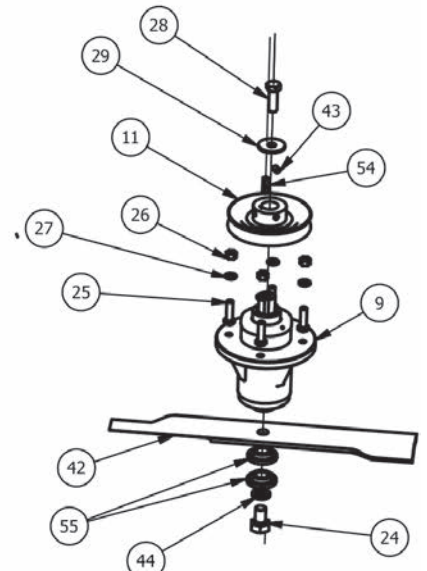
Outlaw XP 54" Deck



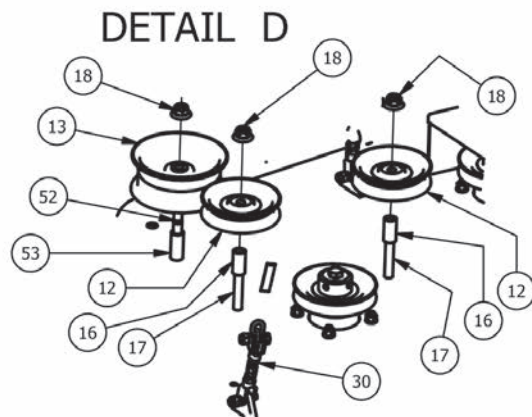
DETAIL C



DETAIL B



DETAIL A



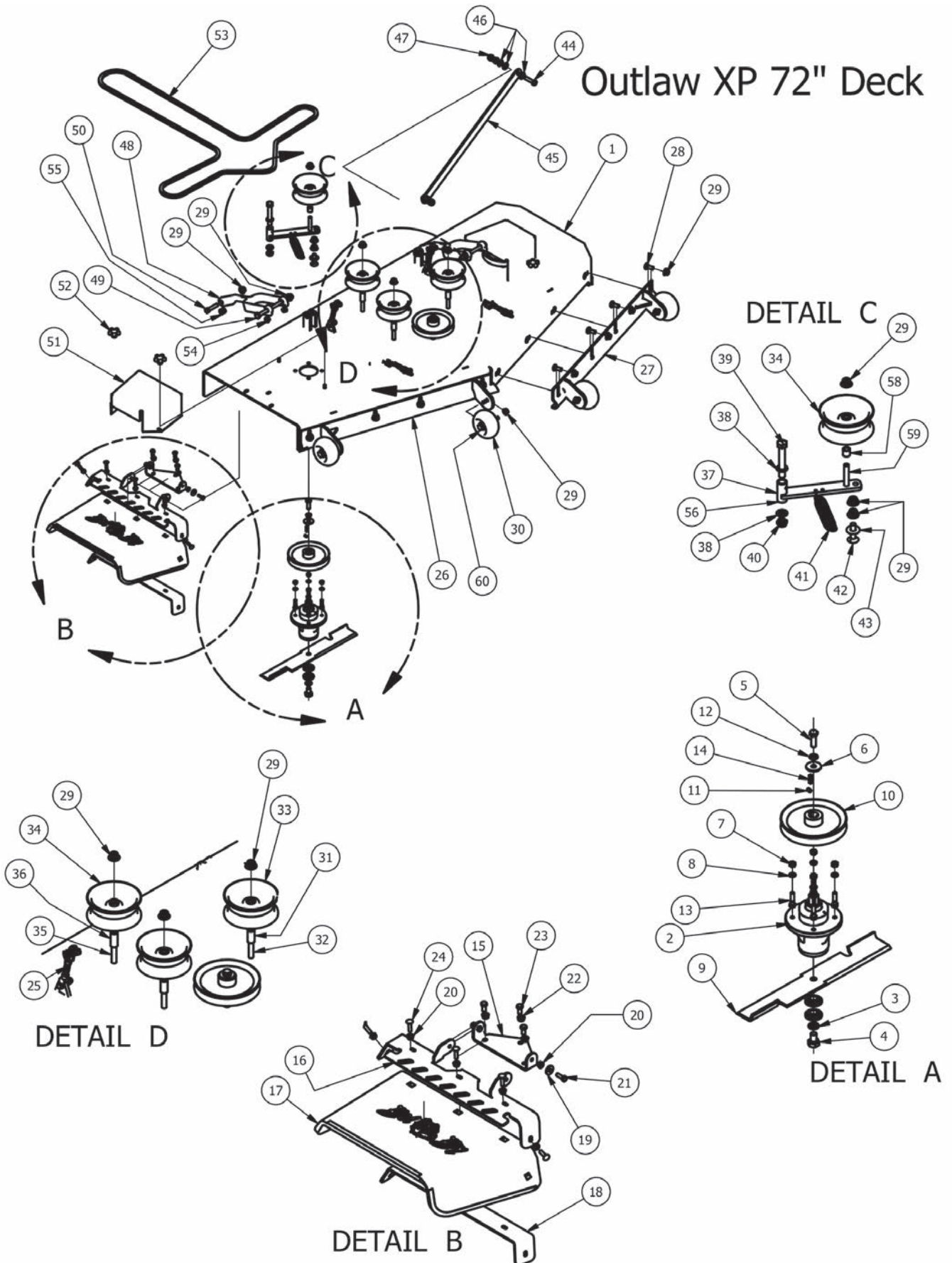
DETAIL D

Outlaw XP 54" Deck			
ITEM	QTY	PART NUMBER	DESCRIPTION
1	1	060-5500-00	54" Outlaw (Deck Only)
2	1	039-6945-00	Deck Idler Bracket
3	1	060-5520-00	54 Outlaw Adjustable Deck Front (Right)
4	1	060-5530-00	54 Outlaw Adjustable Deck Front (left)
5	1	206-6017-00	Discharge Chute Hanger (deck mounted)
6	1	210-6005-00	Rubber Discharge Chute
7	1	039-4864-00	Discharge Chute Upper Hanger
8	1	039-4863-00	60" Lower Hanger
9	3	037-8000-50	Double Bearing Spindle Assembly
10	1	034-2009-00	2009 Deck/Pump Idler Spring
11	3	033-6003-00	5" Deck Pulley
12	2	033-6001-00	4 3/4" Idler Pulley
13	2	033-5001-00	5 3/4 Flat Idler-32FI-92-008
14	2	031-6010-00	Deck Hanger
15	6	022-1000-00	Deck Wheel
16	2	025-5338-00	Pulley Spacer
17	3	018-2018-00	1/2 x 3 1/2 Flange Bolt Grade 8
18	16	013-8050-00	1/2-13 Nylon Flange Nut-Orange
19	2	018-2007-00	5/16" x 1" Bolt
20	5	013-9002-00	5/16" Flange Nut
21	3	018-5250-00	3/8" x 3/4" Hex Bolt
22	3	013-5201-00	3/8" Flange Nut
23	3	018-4703-00	5/16" x 1 1/4" Carriage Bolt
24	3	018-6020-00	5/8" x 1 1/2" Grade 8 Bolt
25	12	018-5040-00	3/8" x 1 1/4" Hex Bolt
26	12	013-6014-00	3/8-16 Hex Nuts Zinc
27	12	019-5037-00	3/8" Lock Washer
28	3	018-6019-00	1/2"-20 x 1 1/2 - Grade 5 Fine Thread Bolt
29	3	019-6020-00	1/2 Belleville Washer
30	4	047-6047-98	3- Link Adjustable Deck Hange
31	2	018-6037-00	1/2-13X 2-1/4 GR Hex Bolts
32	2	018-1090-00	1/2" x 5 1/2" Bolt
33	1	018-1050-00	1/2 x 2" Carriage Bolt
34	1	019-2040-00	1/2" Flat Washer
35	1	018-5311-00	5/8" x 4" Hex Bolt
36	1	013-5301-00	5/8" Nylock (1/2 Jam)
37	2	019-6017-00	.635 ID Plastic Washer
38	1	025-5203-00	Spacer 3/4 OD x 1/2 ID x .75
39	4	045-6043-00	5/16" Knob
40	2	014-6010-00	Pulley Cover
41	6	018-3003-00	1/2" x 1 1/4 Carriage Bolt
42	3	038-0001-00	54" Deck Fusion Blade For Outlaw
43	3	030-6029-00	3/8" Set Screw
44	3	019-4807-00	5/8" Lock Washer
45	2	019-6042-00	.360 ID Plastic Washer
46	1	039-6945-98	Deck Idler Assembly Componets13,18,17,38,2
47	1	028-6060-00	Panhard Linkage Bar
48	6	019-8054-00	.505 Nylon Spacer
49	4	013-5300-00	1/2" Flange Nut
50	2	018-5049-00	1/2-13x2 GR 5 Hex Bolt
51	1	041-1650-00	B165 Belt-60 54" deck Outlaw
52	1	018-5019-00	1/2" x 4" Bolt (Grade 8)
53	1	025-5339-00	1 3/4" Pulley Spacer
54	3	042-6030-00	1/4" x 1" Key
55	6	037-8001-00	Double Bearing For Spindle
56	4	032-5057-00	Flange for Lower Deck Arm
57	4	032-5056-00	Flange Bushing for Deck Arm Upper
58	6	018-0010-00	Deck Wheel Bolt-2011 Outlaw

Outlaw XP 61" Deck			
ITEM	QTY	PART NUMBER	DESCRIPTION
1	1	060-6100-00	61" Outlaw (Deck Only)
2	2	031-6010-00	Deck Arm Assembly
3	2	033-5001-00	5 3/4 Flat Idler-32FI-92-008 Pulley
4	2	033-6001-00	4 3/4" Idler Pulley
5	3	033-6004-00	6 1/4" Drive Pulley
6	1	034-2009-00	2009 Deck/Pump Idler Spring
7	1	039-4863-00	60" Lower Hanger
8	1	039-6945-00	Deck Idler Bracket
9	3	018-2018-00	1/2 x 3 1/2 Flange Bolt Grade 8
10	2	025-5338-00	Pulley Spacer
11	24	013-8050-00	1/2-13 Nylon Insert Flange Nut
12	1	210-6005-00	Rubber Discharge Chute
13	1	060-6220-00	61 Outlaw Adjustable Deck Front (Left)
14	1	060-6210-00	61 Outlaw Adjustable Deck Front (Right)
15	1	206-6017-00	Discharge Chute Hanger (deck mounted)
16	12	018-5040-00	3/8" x 1 1/4" Hex Bolt
17	12	013-6014-00	3/8-16 Hex Nuts Zinc
18	12	019-5037-00	3/8 Lockwasher Zinc
19	3	019-6020-00	1/2 Belleville Washer
20	3	018-5250-00	3/8" x 3/4" Hex Bolt
21	3	013-5201-00	3/8" Flange Nut
22	2	018-2007-00	5/16" x 1" Bolt
23	7	013-9002-00	5/16" Flange Nut Zinc W/Serrations
24	3	018-6019-00	1/2"-20 x 1 1/2 - Grade 5 Fine Thread Bolt
25	1	018-5311-00	5/8" x 4" Hex Bolt
26	2	019-6017-00	.635 ID Plastic Washer
27	3	018-6020-00	5/8" x 1 1/2" Grade 8 Bolt
28	3	019-4807-00	5/8" Lock Washer
29	1	018-5019-00	1/2" x 4" Bolt (Grade 8)
30	5	018-4703-00	5/16" x 1 1/4" Carriage Bolt
31	1	013-5301-00	5/8" Nylock (1/2 Jam)
32	8	018-3003-00	1/2" x 1 1/4 Carriage Bolt
33	1	025-5203-00	Spacer 3/4 OD x 1/2 ID x .75
34	1	018-1050-00	1/2 x 2" Carriage Bolt
35	1	019-2040-00	1/2" Flat Washer
36	2	018-1090-00	1/2" x 5 1/2" Bolt
37	1	025-5339-00	1 3/4" Pulley Spacer
38	4	047-6047-98	3- Link Adjustable Deck Hange
39	6	022-1000-00	Deck Wheel
40	1	041-0178-00	B178 Belt For 61 Inch Outlaw
41	2	014-6010-00	Pulley Cover
42	4	045-6043-00	5/16" Knob
43	3	037-8000-50	Double Bearing Spindle
44	3	038-6080-00	61 inch Fusion Blade
45	2	018-6037-00	1/2-13X 2-1/4 GR Hex Bolts
46	3	030-0050-00	5/16 Set Screw
47	3	042-6030-00	1/4" x 1" Key
48	2	019-6042-00	.360 ID Plastic Washer
49	1	039-4864-00	60" Upper Hanger Plate
50	1	039-6945-98	Deck Idler Assembly-parts of Assembly 8,11,3,33,9
51	2	018-5049-00	1/2" x 13-2" GR 5 Hex Bolt
52	1	028-6060-00	Panhard Linkage Bar
53	6	019-8054-00	.505 Nylon Spacer
54	4	013-5300-00	1/2" Flange Nut
55	4	032-5056-00	Flange Bushing For Deck Arm upper
56	4	032-5057-00	Flange for Lower Deck Arm
57	6	037-8001-00	Double Bearing For Spindle
58	6	018-0010-00	Deck Wheel Bolt-2011 Outlaw



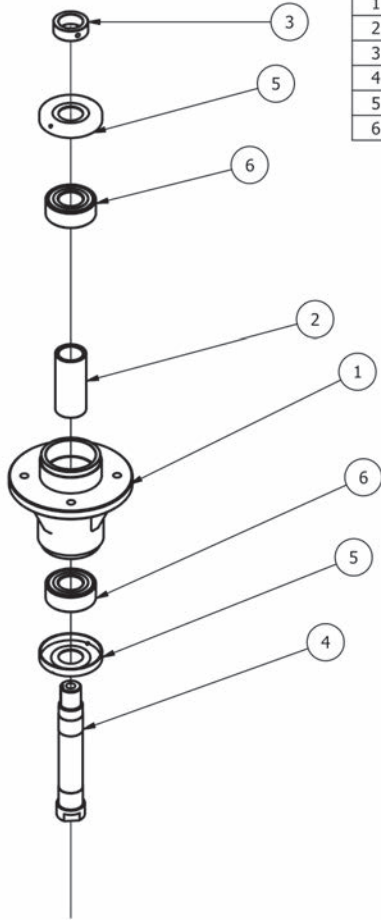
Outlaw XP 72" Deck



Outlaw XP 72" Deck			
ITEM	QTY	PART NUMBER	DESCRIPTION
1	1	060-7230-00	72" Outlaw (Deck Only)
2	3	037-8000-50	Double Bearing Spindle
3	3	019-4807-00	5/8" Lock Washer
4	3	018-6020-00	5/8" x 1 1/2" Grade 8 Bolt
5	3	018-6019-00	1/2"-20 x 1 1/2 - Grade 5 Fine Thread Bolt
6	3	019-6020-00	1/2 Belleville Washer
7	12	013-6014-00	3/8-16 Hex Nuts Zinc
8	12	019-5037-00	3/8 Lockwasher Zinc
9	3	038-7230-00	72" High Lift Fusion Blade
10	3	033-7203-00	7" Deck Pulley
11	3	030-6029-00	3/8" Set Screw
12	3	019-5007-00	1/2" Lock Washer
13	12	018-6012-00	3/8" x 1 1/2" Hex Bolt
14	3	042-6030-00	1/4" x 1" Key
15	1	206-6017-00	Discharge Chute Hanger (deck mounted)
16	1	039-4864-00	60" Upper Discharge Chute Bracket
17	1	210-6005-00	Rubber Discharge Chute
18	1	039-4863-00	60" Lower Discharge Bracket
19	2	019-6042-00	.360 ID Plastic Washer
20	7	013-9002-00	5/16" Flange Nut Zinc W/Serrations
21	2	018-2007-00	5/16" x 1" Bolt
22	3	013-5201-00	3/8" Flange Nut
23	3	018-5250-00	3/8" x 3/4" Hex Bolt
24	5	018-4703-00	5/16" x 1 1/4" Carriage Bolt
25	4	047-6047-98	3- Link Adjustable Deck Hange
26	1	060-7211-00	72" Deck Adustable Front (Right)
27	1	060-7210-00	72" Deck Adjustable Front (Left)
28	8	018-3003-00	1/2" x 1 1/4 Carriage Bolt
29	22	013-8050-00	1/2-13 Nylon Insert Flange Nut
30	6	022-1000-00	Deck Wheel
31	2	025-5338-00	.502 ID X .75 OD X 1.500 Leng
32	2	018-2018-00	1/2 x 3 1/2 Flange Bolt Grade 8
33	2	033-7201-00	5 3/4" Deck Idler Pulley
34	2	033-5001-00	5 3/4 Flat Idler-32FI-92-008 Pulley
35	1	018-5019-00	1/2" x 4" Bolt (Grade 8)
36	1	025-5339-00	1 3/4" Pulley Spacer
37	1	039-6945-00	Deck Idler Bracket
38	2	019-6017-00	.635 ID Plastic Washer
39	1	018-5311-00	5/8" x 4" Hex Bolt
40	1	013-5301-00	5/8" Nylock (1/2 Jam)
41	1	034-2009-00	2009 Deck/Pump Idler Spring
42	1	018-1050-00	1/2 x 2" Carriage Bolt
43	1	019-2040-00	1/2" Flat Washer
44	2	018-5049-00	1/2-13x2 GR 5 Hex Bolt
45	1	028-6060-00	Panhard Linkage Bar
46	6	019-8054-00	.505 Nylon Spacer
47	4	013-5300-00	1/2" Flange Nut
48	2	031-6010-00	Deck Arm Assembly
49	2	018-1090-00	1/2" x 5 1/2" Bolt
50	2	018-6037-00	1/2-13X 2-1/4 GR Hex Bolts
51	2	014-7204-00	72 Spindle Cover
52	4	045-6043-00	5/16" Knob
53	1	041-0202-00	B202 Belt for 72" Outlaw
54	4	032-5056-00	Flange Bushing For Deck Arm upper
55	4	032-5057-00	Flange for Lower Deck Arm
56	1	039-6945-98	Deck Idler Complete Assembly- Componets 29,34,37,58,59
57	6	037-8001-00	Double Bearing For Spindle
58	1	025-5203-00	3/4 OD x 1/2 ID x 3\4 Length
59	1	018-7016-00	1/2-13 x GR 5 Hex Bolt Zinc
60	6	018-0010-00	Deck Wheel Bolt-2011 Outlaw



037-8000-50 Double Bearing Spindle



037-8000-50			
ITEM	QTY	PART NUMBER	DESCRIPTION
1	1	037-8005-50	Aluminum Spindle Housing
2	1	037-8003-00	Tube Spacer Double Bearing Spindle
3	1	037-9050-00	Collar Spacer - Top of Spindle
4	1	037-6026-00	Short Spindle Shaft w/Locking
5	2	037-8002-00	Dust Cover
6	2	037-8001-00	Double Bearing for spindle



091-0852-00
Z 852cc Pro Series Decal



091-0036-00
Z 36hp Pro Series Decal



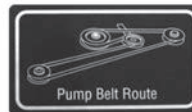
091-4000-00
Domed Label



091-1051-00
54" ARMORTEK Deck Decal



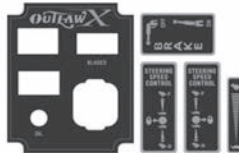
091-3309-00
Deck Belt Route Decal



091-3017-00
Pump Belt Route Decal



091-1050-00
61" ARMORTEK 5 Deck



091-3090-00
Outlaw Cluster



091-3012-00
Danger Decal- Spindle/Discharge



091-8000-00
EZ Ride Patent Decal



091-1052-00
72" ARMORTEK Deck Decal



091-3100-00
Outlaw Deck Height Decal



091-3060-00
Swing-Away Patent Decal-



091-3150-00
Outlaw Warning Decal



091-1020-00
hydraulic tank

**2013 LIMITED WARRANTY
FOR
BAD BOY COMMERCIAL MOWER SERIES
(CZT ELITE, DIESEL, OUTLAW, OUTLAW EXTREME, OUTLAW STAND ON
and OUTLAW XP)**

1. WHAT THIS WARRANTY COVERS, AND FOR HOW LONG:

Bad Boy, Inc. will, at its option, repair or replace, without charge, any part covered by the warranty which is found to be defective in material and/or workmanship within two (2) years* after date of sale to the original retail purchaser unless the product is used for rental purposes, in which case this warranty is limited to ninety (90) days.

Labor for all warranted parts will also be covered for 2 years from the date of sale to the original purchaser.

The leading edge of the deck shell will be warranted for the entire lifetime of the machine to the original purchaser against defects in materials and workmanship. Labor required to repair or replace the leading edge of the deck shell will be covered by Bad Boy, Inc for the first two years and at the unit owner's expense during the balance of the lifetime of the machine.

Belts are warranted for a period of ninety (90) days against materials or workmanship defects.

At Bad Boy, Inc.'s request, the customer will make the defective part available for inspection by Bad Boy, Inc. and/or return the defective part to Bad Boy, Inc., transportation charges prepaid.

2. WHAT THIS WARRANTY DOES NOT COVER:

- A. This warranty does not cover defects caused by depreciation or damage caused by normal wear, accidents, improper maintenance, improper use or abuse of the product, alterations, or failure to follow the instruction contained in the Owner's Manual for operation and maintenance.
- B. The customer shall pay any charges for making service calls and/or for transporting the mower to and from the place where the inspection and/or warranty work is performed.
Bad Boy Inc will not be responsible for the pickup and delivery of a machine for warranty purposes.
- C. **Engines** are warranted separately by their respective manufacturer. The available warranties covering this item are furnished with each mower. Bad Boy, Inc. does not assume any warranty obligation, liability or modification for this item, which is covered exclusively by the stated warranty of the respective manufacturers.
- D. **Tires, blades, deck anti-scalping wheels and hoses** are considered to be consumable wear items and are therefore not warranted.
- E. **Batteries** are warranted for six months (**free replacement**) from the retail purchase date against materials or workmanship defects. *The battery warranty must be obtained through the battery manufacturer.*

3. HOW TO OBTAIN SERVICE UNDER THIS WARRANTY:

- A. Warranty service can be arranged by contacting the dealer where you purchased the mower or by contacting Bad Boy, Inc. Proof of the date of purchase may be required to verify warranty coverage.

B. Warranty claims will not be reviewed or paid unless the warranty registration is received by Bad Boy, Inc. within 30 days of the retail purchase date.

4. WARRANTY LIMITATION:

- A. **THERE IS NO OTHER EXPRESS WARRANTY. ANY WARRANTY THAT MAY BE IMPLIED FROM THIS PURCHASE INCLUDING MERCHANTABILITY AND FITNESS FOR A PARTICULAR PURPOSE IS HEREBY LIMITED TO THE DURATION OF THIS WARRANTY AND TO THE EXTENT PERMITTED BY LAW ANY AND ALL IMPLIED WARRANTIES ARE EXCLUDED.** Some states do not allow limitations on how long an implied warranty lasts, so the above limitations may not apply to you.
- B. **BAD BOY, INC. WILL NOT BE LIABLE FOR ANY INCIDENTAL, CONSEQUENTIAL, OR SPECIAL DAMAGES AND/OR EXPENSES IN CONNECTION WITH THE PURCHASE OR USE OF THE MOWER.** Some states do not allow the exclusion or limitation of incidental or consequential damages, so the above limitation(s) or exclusion(s) may not apply to you.
- C. Only the warranty expressed in this limited warranty shall apply and no dealer, distributor, or individual is authorized to amend, modify, or extend this warranty in any way. Accordingly, additional statements such as dealer advertising or presentations, whether oral or written, do not constitute warranties by Bad boy, Inc., and should not be relied on.
- D. This warranty extends only to turf equipment operated under normal conditions and properly serviced and maintained. The warranty expressly does not cover (i) any defects, damage or deterioration due to normal use, wear and tear, or exposure; (ii) normal maintenance services such as oil change, cleaning, lubrication, adjustment; (iii) replacement of services, items, such as oil, lubricants, spark plugs, belts, rubber hoses or other items subject to normal service replacement; (iv) damage or defects arising out of or relating to misuse, neglect, alteration, negligence or accident; (v) repair or replacement arising from operation of or use of the turf equipment which is not in accordance with operating instructions as specified in the operator's manual or other operational instructions provided by Bad Boy Inc.; (vi) repair or replacement arising as a result of any operation from turf equipment that has been altered or modified so as to, indetermination of Bad Boy, Inc., adversely affect the operation, performance or durability of the equipment or that has altered, modified or affected the turf equipment so as to change the intended use of the product; (vii) repair or replacement necessitated by use of parts, accessories or supplies, including gasoline, oil or lubricants, incompatible with the turf equipment or other than as recommended in the operator's manual or other operational instructions provided by Bad Boy, Inc.; (viii) repairs or replacements resulting from parts or accessories which have adversely affected the operation, performance or durability of the turf equipment; or (ix) damage or defects due to or arising out of repair of turf equipment by person or persons other than an authorized Bad Boy, Inc., service dealer or the installation of parts other than genuine Bad Boy, Inc., recommended parts.
As a condition to this warranty, customer shall have read the operator's manual and shall have returned to Bad Boy, Inc., within the prescribed time, the enclosed warranty registration card.
- E. This warranty gives you specific legal rights, and you may also have other rights, which vary from state to state.



Bad Boy, Inc.
102 Industrial Drive
Batesville, AR 72501
1.866.622.3269
www.badboymowers.com

Technical Support:

Brad Covington brad.covington@badboymowers.com
 Taylor Prince taylor.prince@badboymowers.com
 James Russell james.russell@badboymowers.com

Warranty:

Dustin Tissiere dustin@badboymowers.com

Parts:

Chris Epperson chris.epperson@badboymowers.com
 Robert Patterson robert.patterson@badboymowers.com

Cut and Mail or Fill Out Online under 'Owners' at www.badboymowers.com

WARRANTY REGISTRATION

Full Name _____

Address _____

City _____

State _____ Zip _____

SERIAL #

Purchase Date _____ Telephone _____

Purchased From _____

"I certify that I have been properly instructed on operating this machine."



For additional information, please see us at
www.badboymowers.com

Bad Boy, Inc.
102 Industrial Drive
Batesville, Arkansas 72501
(870) 698-0090

Cut and Mail or Fill Out Online under 'Owners' at www.badboymowers.com

*Place Stamp
Here*

*POST OFFICE
WILL NOT DELIVER
WITHOUT POSTAGE*



BAD BOY MOWERS

102 Industrial Drive
Batesville, AR 72501