



MZ MODEL MOWER

OWNER'S & PARTS MANUAL

2010 Edition

For additional information, please see us at
www.badboymowers.com

Bad Boy, Inc.
102 Industrial Drive
Batesville, Arkansas 72501
(870) 698-0090



TABLE OF CONTENTS

Basic Information..... Section 1 (pages 3, 4)

Bad Boy Safety Guidelines Section 2 (pages 5, 6)

Operation Section 3 (pages 6, 7)

Maintenance Section 4 (page 7)

Storage and Transportation Section 5 (page 8)

Adjustments..... Section 6 (pages 8, 9)

Troubleshooting and FAQSection 7 (pages 9, 10)

Controls Section 8 (pages 10, 11)

Moving Inoperable Mower Section 9 (page 12)

InstrumentationSection 10 (page 13)

Blade Maintenance and Cutting TipsSection 11 (page 14)

Greasing Bearings..... Section 12 (pages 14)

PARTS MANUAL BEGINS ON PAGE 15



This manual applies to the following equipment:

Bad Boy MZ Series

MZ 42" 21 hp Briggs

MZ 48" 26 hp Briggs

**ALL INFORMATION IN THIS MANUAL
MAY NOT APPLY TO YOUR MOWER!**



SECTION 1: BASIC INFORMATION

Congratulations on the purchase of your new Bad Boy Mower! The purpose of this manual is to assist operators in maintaining and operating their machine. The information and instructions in this manual can help you attain years of performance from your new Bad Boy. Also, check out our website to learn more about the Bad Boy family.

- 1.1 All Bad Boy engines use 10W30 engine oil.
- 1.2 All Bad Boy hydraulic systems use 20W50 engine oil.
- 1.3 All Bad Boy Mowers use hi-temp multi-purpose grease. NLGI No. 2 for the grease fittings.
- 1.4 ZT & MZ models have 12 psi in both front and rear tires.
- 1.5 Pups, AOS, and Diesel models have 12 psi in front tires and 10 psi rear tires.
- 1.6 Most Briggs, Kohler, Kawasaki, and Vanguard engines hold one (1) quart of motor oil.
- 1.7 3 Cylinder Caterpillar engines hold four (4) quarts of motor oil and 4 Cylinder Caterpillar Engines Hold five (5) quarts.

Warranty Registration

The Warranty Registration form must be completed and signed to validate your warranty. As the new equipment owner, you are expected to see that the form is completed and forwarded to Bad Boy, Inc., at time of delivery.

Model/Serial Number

Lightning, Pup, AOS, Diesel model serial numbers are found on the SIN plate, located underneath the floor panel. ZT and MZ model serial numbers are found on the SIN plate underneath seat. The serial numbers are necessary on the warranty registration form. Also, these numbers can assist you in the ordering of new parts when replacements become necessary.

Parts/Service

Only Bad Boy replacement parts are to be used on your mower.

Replacement parts are available through your local Bad Boy Mower Dealer. Remember to always provide the following information when ordering parts:

1. Correct part number
2. Correct serial number

All warranty repair and service must be handled through your authorized Bad Boy Mowers dealer. To locate the nearest dealer, go to our website and click on Locate a Dealer.



SECTION 2: MOWER OPERATION

Never allow untrained people to operate this machine. It is the owner's responsibility to get training and see to it that anyone who has permission to use your machine receives the proper training.

Do not mow around people. The factory discharge chute is designed to deflect debris downward, but it could be possible for debris to be thrown in a way that can cause damage to people or property.

Seek additional training when possible to learn more about safety techniques and practices.

SAFETY PRECAUTIONS

- 2.2 Always remain seated while operating machine.
- 2.3 Always maintain a safe distance from people and pets while mowing.
- 2.4 Always disengage blades, place steering controls in neutral, engage parking brake, and remove ignition key when leaving operators seat.
- 2.5 Always operate machine in daylight or with adequate working lights.
- 2.6 Be alert of surroundings. Watch for rocks, stumps, and mounds or depressions while mowing.
- 2.7 Always wear eye protection while mowing and servicing.
- 2.8 Always wear ear protection, such as earplugs, while mowing.
- 2.9 If you strike something with the mower turn the blades and mower off, engage the parking brake, and inspect the machine for damage before resuming.
- 2.10 Be aware of low hanging limbs or objects that could potentially be hazardous while mowing.
- 2.11 Never operate a poorly maintained machine.
- 2.12 Never carry passengers.
- 2.13 Always buckle seat belt, if provided one.
- 2.14 Never attempt high speed maneuvering, especially around people or property.
- 2.15 Never put hands or feet under the machine while ignition is on.
- 2.16 Never refuel machine when engine is running.
- 2.17 Never leave key in ignition, especially around children.
- 2.18 Never run engine in enclosed area.
- 2.19 Do not touch hot parts of machine.
- 2.20 Do not remove deck wheels.
- 2.21 Conditions that can affect traction resulting in the loss of control of machine: Wet terrain, Hills or extreme angles, Depressions in the ground, Mounds of dirt, Extremely dry grass, Soil type (gravel, sand, clay), Tire pressure
- 2.22 Be aware of what is located at the bottom of slopes. For example, Rocks, Water, Cliffs, Roads and Highways



2.23 Safety warning decals are located on the mower and should always be observed and followed.

- 2.24 Never operate the mower with the discharge chute open.
- 2.25 Prevent Fires—Remove grass and debris from engine compartment and muffler area, before and after operating machine, especially after mowing or mulching in dry conditions.
- 2.26 Do not store machine near open flame or source of ignition, such as a water heater or furnace.
- 2.27 Do not attempt to mount a tire without the proper equipment and experience to perform the job.
- 2.28 Always maintain the correct tire pressure. Do not inflate the tires above the recommended pressure. Never weld or heat a wheel and tire assembly. The heat can cause an increase in air pressure resulting in a tire explosion. Welding can structurally weaken or deform the wheel.
- 2.29 Never operate machine in a closed area where dangerous carbon monoxide fumes can collect.
- 2.30 Let engine cool before storing!!!
- 2.31 Hydraulic hoses and lines can fail due to physical damage, kinks, age, and exposure. Check hoses and lines regularly. Replace damaged hoses and lines.
- 2.32 Park machine on level ground. Never allow untrained personnel to service machine. Understand service procedure before doing work.

SECTION 3: MOWER OPERATION

Never operate the machine with faulty equipment. Always be alert of sudden changes in landscape, as the mower will react differently on slopes or embankments than it will on flat surfaces. Never operate the mower with the discharge chute open. Do not cross terrain, other than grass, with blades turning. This could cause damage to property or bystanders.

- 3.1 Place parking brake in up position
- 3.2 Drive arms must be in the “open” position. While sitting on the machine, each arm is positioned away from the operator, to the right and left. Drive arms will lock into place and must be in this position to start machine.
- 3.3 Put PTO switch in the OFF position.
- 3.4 If your machine has been equipped with a ROPS (Roll Over Protection System) then you must fasten seatbelt.
- 3.5 If machine has not been started recently, engage the choke.
- 3.6 Make sure nothing is under or around machine.
- 3.7 Place key in ignition and turn.
- 3.8 Once machine is started, disengage the choke.



-
- 3.9 Increase RPM by sliding the throttle to fast position, toward the rabbit.
 - 3.10 Owners must become familiar with the controls before operating a zero-turn radius vehicle.
 - 3.11 Start slowly and build your skill level. Have ample practice before using the machine at full capabilities.
 - 3.12 Be comfortable with machine before engaging blades. Know what each component controls before using machine.
 - 3.13 Your mower will perform differently on an incline /decline. Be cautious, slow down, and do not make any sudden jerking movements with control arms. The machine could lose traction on a decline or tip backwards on an incline.
 - 3.14 Once you become comfortable with your Bad Boy Mower you will notice your overall mowing time will decrease.

SECTION 4: MOWER MAINTENANCE

***Check each and provide maintenance when needed.*

DAILY

- 4.1 Check Engine Oil
- 4.2 Check Engine Air Filter
- 4.3 Tire Pressure
- 4.4 Radiator Screen (Screen should be cleaned frequently during heavy use)
- 4.5 Radiator Anti-Freeze
- 4.6 Inspect Blades

EVERY 30 HOURS OF USAGE

- 4.7 Grease Machine

EVERY 100 HOURS OF USAGE

- 4.8 Check All Filters

Check filters once a year if under 100 hours

Check air and fuel filters more often in dry, dusty conditions

EVERY 100 HOURS OF USAGE

- 4.9 Change Hydraulic Fluid
- 4.10 Refer to manufacturer manual for specific information on maintenance schedules.



SECTION 5: MOWER STORAGE

- 5.1 Keep machine from collecting debris by storing in a covered area while not in use.
- 5.2 Fuel can harm your machine if left for more than 30 days without changing.
- 5.3 Disconnect the negative battery cable when machine will be stored for more than 30 days.
- 5.4 Always secure machine properly when transporting machine.
- 5.5 Do not load machine on trailer with blades engaged.
- 5.6 Do not use ramps to load the machine.
- 5.7 Make sure Parking Brake is in “up” position.
- 5.8 In wet conditions tires may spin while loading / unloading. If necessary, wait for dry conditions before loading / unloading.
- 5.9 Make sure mode of transportation is suitable to bear the weight of mower.
- 5.10 Deck height should be set at maximum before attempting to load.
- 5.11 Secure mower with at least two straps capable of securing weight of mower.

SECTION 6: MAINTAINING YOUR MOWER

DECK LEVELING

- 6.1 Put mower on flat, level surface
- 6.2 Check tire air pressure
- 6.3 Put deck on highest setting
- 6.4 Measure all four corners of the deck. Deck level should be the same from front left to right.
- 6.5 Set front corners to 1/8” lower than rear corners. (This is the distance from the bottom of mower deck to the ground).
- 6.6 Use the deck hanger chains to raise or lower entire deck.
- 6.7 Use turnbuckles for raising and lowering the front of the deck.

BRAKE ADJUSTMENT

- 6.8 Locate set screw on top of brake handle knob
- 6.9 Turn knob on top of brake lever clockwise to loosen brake cable.
- 6.10 DO NOT OVER ADJUST – CABLE BREAKAGE MAY OCCUR.

DRIVE ARM ADJUSTMENT

- 6.11 Due to the sensitive nature of drive arm adjustments visit an Authorized Bad Boy Dealer and they'll be happy to help you with this.



STANDARD HYDRAULIC/ OIL/FILTER SERVICING PROCEDURE

- 6.12 On all Bad Boy ZT and MZ Models, the hydraulic oil filters need to be initially changed when the mower has reached 50 hours of usage. Each subsequent changing of the hydraulic oil and filters needs to occur every 250 hours or once a year. The required hydraulic oil is 20W50 motor oil. On all Bad Boy commercial models, the hydraulic oil and filters need to be initially changed when mower has reached 50 hours of usage. Each subsequent changing of the hydraulic oil and filters needs to occur 500 hours or once a year. The required hydraulic oil is 20W50 motor oil.

SECTION 7: TROUBLESHOOTING

7.1 **Q:** *How do I sharpen my blades?*

7.1 **A:** We recommend that sharpening be done by an authorized Bad Boy dealer.

7.2 **Q:** *How should I prepare my Bad Boy Mower for the off season?*

7.2 **A:** When preparing for any down period of 90 days or more, the most important thing is proper fuel preparation. Use a fuel stabilizer in your final tank of fuel or run dry. Choke and repeatedly crank engine until it will not start. This will decrease the potential for varnish or gum deposits forming in your system. Also, make sure your machine has plenty of antifreeze. You can get an antifreeze tester at your local hardware store to ensure your machine is ready for winter.

7.3 **Q:** *How do I prevent an uneven cutting pattern and increase the quality of cut?*

7.3 **A:** Check tire pressure, check blade sharpness (replace blades or sharpen at least once per year or when needed), make sure blades are tightened properly, check spring and belt tension, check the underside of the deck to ensure the mower deck is free of grass build-up and debris, make sure your machine is at full throttle, and vary your mowing pattern each time you cut your grass.

7.4 **Q:** *What should I do if my mower won't start?*

7.4 **A:** Check battery charge and connection (grounds), check your fuel (make sure fuel is less than 30 days old and contains no water), make sure your spark plug is in good condition and spark plug wire is attached, and make sure air filter is clean (a dirty filter makes it more difficult for the engine to draw air). Check for broken wires or bad connections.

7.5 **Q:** *What should I do if the blades won't engage?*

7.5 **A:** Make sure the safety switch is plugged in on the bottom of seat. Check the underside of the PTO engager to ensure the plug is secure at switch.

7.6 **Q:** *What should I do if mower arms are in neutral position and mower still creeps?*

7.6 **A:** Contact authorized Bad Boy Mower Dealer.



7.7 **Q: What is the difference between a liquid-cooled engine and an air cooled-engine?**

7.7 **A:** A liquid-cooled engine gives you a constant operating temperature which will increase fuel economy, decrease oil breakdown, and may last up to 50% longer. In addition, a cooler engine also means a cooler operator because the cooling fan draws hot air through the radiator, past the engine and away from the operator. An air-cooled engine is much simpler with fewer working parts which means a lower purchase price and less maintenance

7.8 **Q: What type of fuel is recommended for my mower?**

7.8 **A:** We recommend that you use a name brand fuel to ensure quality. Use fuel with an octane rating near 87. Higher octane fuels offer no benefit.

7.9 **Q: Does the Bad Boy warranty cover multiple owners?**

7.9 **A:** The warranty applies only the original registered owner and is non-transferable.

7.10 **Q: Do you offer touch-up paint for your mowers?**

7.10 **A:** Touch-up paint is available. Contact your local dealer for more information.

7.11 **Q: On average, how long should a Bad Boy mower last?**

7.11 **A:** Maintenance, mowing conditions, temperature, and hours of operations play a huge role in the life of a mower. However, Bad Boy Mowers are without a doubt the strongest, most durable zero-turn mower available. With proper care, your Bad Boy will deliver many years of reliability, productivity, and comfort.

7.12 **Q: How durable is the electric deck lift?**

7.12 **A:** The actuator which controls the deck height is designed for moving loads of up to 1000 pounds and has a static holding capability which exceeds 3,000 pounds. Our ¼" deck weighs approximately 250 pounds which is only 25% of working capability.

SECTION 8: CONTROLS

8.1 **Ignition Switch**—Bad Boy Mowers have a three position ignition switch: off, run, and start. With key inserted, rotate it clockwise to START position and release key when engine starts, and switch will automatically return to the RUN position.

8.2 **Throttle Control**—A cable is connected to the engine throttle for controlling engine speed. Move lever forward to increase engine rpm, move lever backward to decrease engine rpm.



SECTION 9: MOVING INOPERABLE MOWER

- 9.1 If it is necessary to move mower when the engine is inoperable, the hydraulic drive pumps are equipped with bypass valves. Before moving the mower, turn the bypass valves counter-clockwise one-half to one revolution. The valve stems on each pump are located near the top and are identified as a hex stud.
- 9.2 Do not tow machine. Move it by hand or use a winch to load on a trailer for transporting.
- 9.3 **ATTENTION:** RETURN BYPASS VALVES TO OPERATING POSITION BEFORE RUNNING MOWER FOLLOWING REPAIRS.
- 9.4 ZT Models are equipped with two neutral engage/disengage arms, located at the rear of the mower protruding from the frame and under the muffler. By pulling the arms out the mower can be put in a neutral position. Return the arms to the “forward position for normal operation.
- 9.5 Your Bad Boy Mower Weighs: ***MZ SERIES:*** ***585—602 lbs***

**** Weights fluctuate with the addition of accessories.*

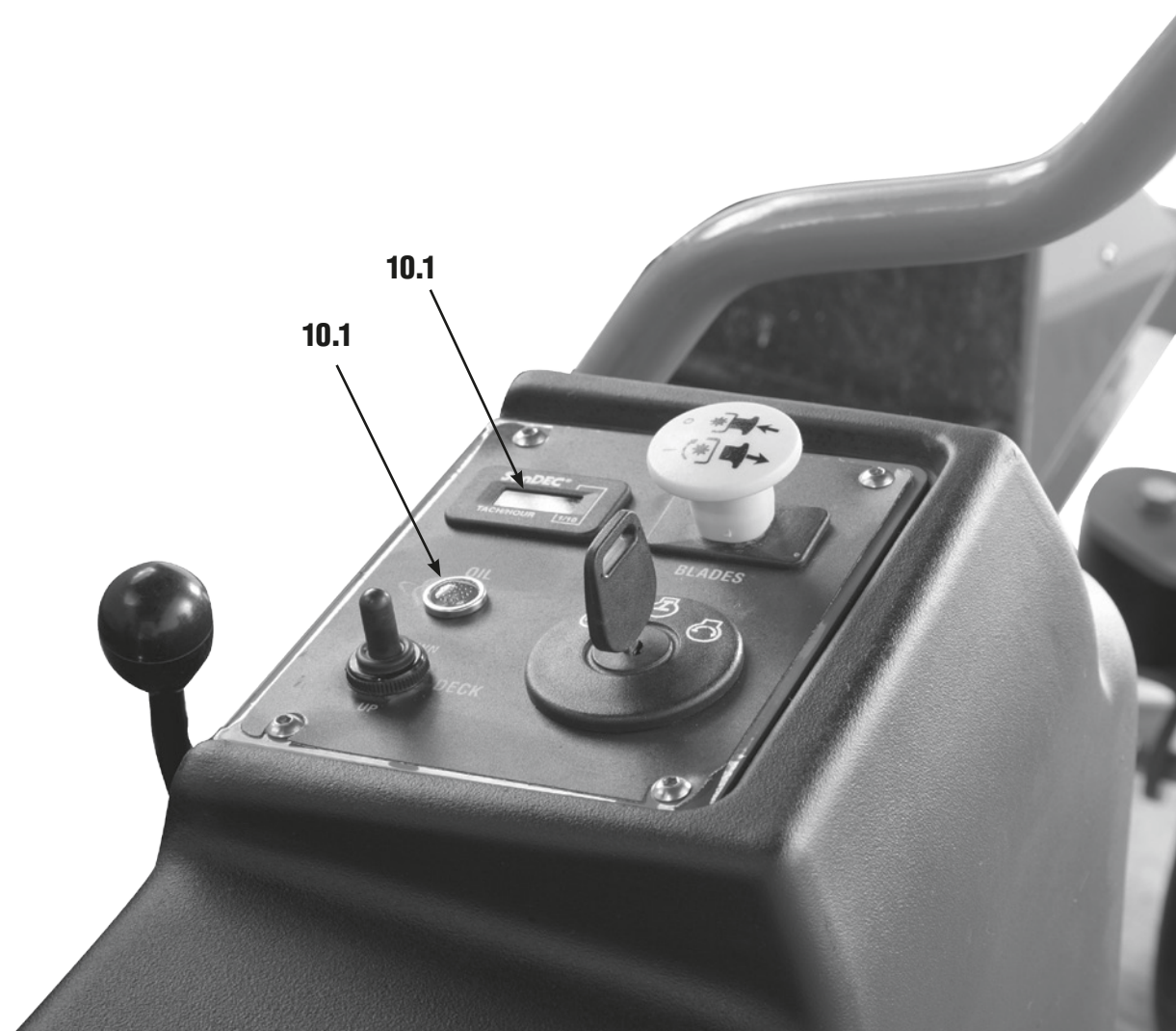
- 9.6 As you can see by the weights of the machines, you shouldn't ever try to push or pull a Bad Boy Mower by hand. This could cause serious bodily injury.
- 9.7 Hopefully, you'll never need to use this section of the manual. However, if you do, use extreme caution when moving machine!



SECTION 10: INSTRUMENTATION

- 10.1 **Electronic Hour Meter**—Registers Hour increments up to 9,999.9 total hours. This meter records the cumulative time the engine is running.
- 10.2 **Oil Pressure Light**—**NOT ON ZT or MZ MODELS**—This light comes on upon placing the ignition switch in the RUN position and stays lit until the engine is running and a safe oil pressure is built up. If the light comes on during operation, shut the engine off immediately and locate the problem or contact authorized Bad Boy Mower dealer.
- 10.3 **High Temperature Buzzer**—**NOT ON ZT or MZ MODELS**—Liquid-Cooled models are equipped with a buzzer that will sound in the event of high water temperature.

IF THIS HAPPENS SHUT ENGINE OFF IMMEDIATELY! Allow engine to cool. Check for obstructions in or around radiator or contact your local Bad Boy Mower Authorized Dealer.





SECTION 11: MOWER BLADE MAINTENANCE

- 11.1 Check mower blades after each use. This is essential for maintaining well-groomed turf. Keep the blades sharp. If a dull blade is used for cutting, the grass will tear rather than cut. This could damage the grass leaving a brown frayed top on the grass within a few hours. A dull blade will also require more power from the engine.
- 11.2 NEVER attempt to straighten a bent blade by heating. NEVER attempt to weld a cracked blade. The blades can break and cause serious injury or death.
- 11.3 NEVER work with blades while engine is running or deck clutch is engaged.
- 11.4 ALWAYS place deck clutch in DISENGAGE position while performing maintenance.
- 11.5 Use blocks when you MUST work under mower.
- 11.6 ALWAYS wear thick gloves when handling blades.
- 11.7 ALWAYS check for blade damage if mower strikes rock, branch, or other objects that could potentially damage the blade. **(REMEMBER: NEVER CHECK BLADE WHILE ENGINE IS ON! NEVER CHECK BLADES WHILE BLADES ARE ENGAGED!)**
- 11.8 Cut 1/3 of the height GRASS BLADE. Cutting more than that is not recommended unless grass is sparse, or it is late fall when grass grows slowly.
- 11.9 Alternate mowing direction to keep grass standing straight. This also helps disperse clippings which enhance decomposition and fertilization.
- 11.10 Mow in intervals. Usually, you should mow every four days. However, grass grows at different rates at different times of the year. Maintain the same cutting height and mow often in early spring. As grass growth slows in the summer, mow less frequently.
- 11.11 Mowing too fast will tend to leave grass stems standing, if this occurs, slow down you mowing speed. (Oftentimes, leaving streaks depends on the composition of the grass being cut, the sharpness of mower blades, and the moisture of the grass).

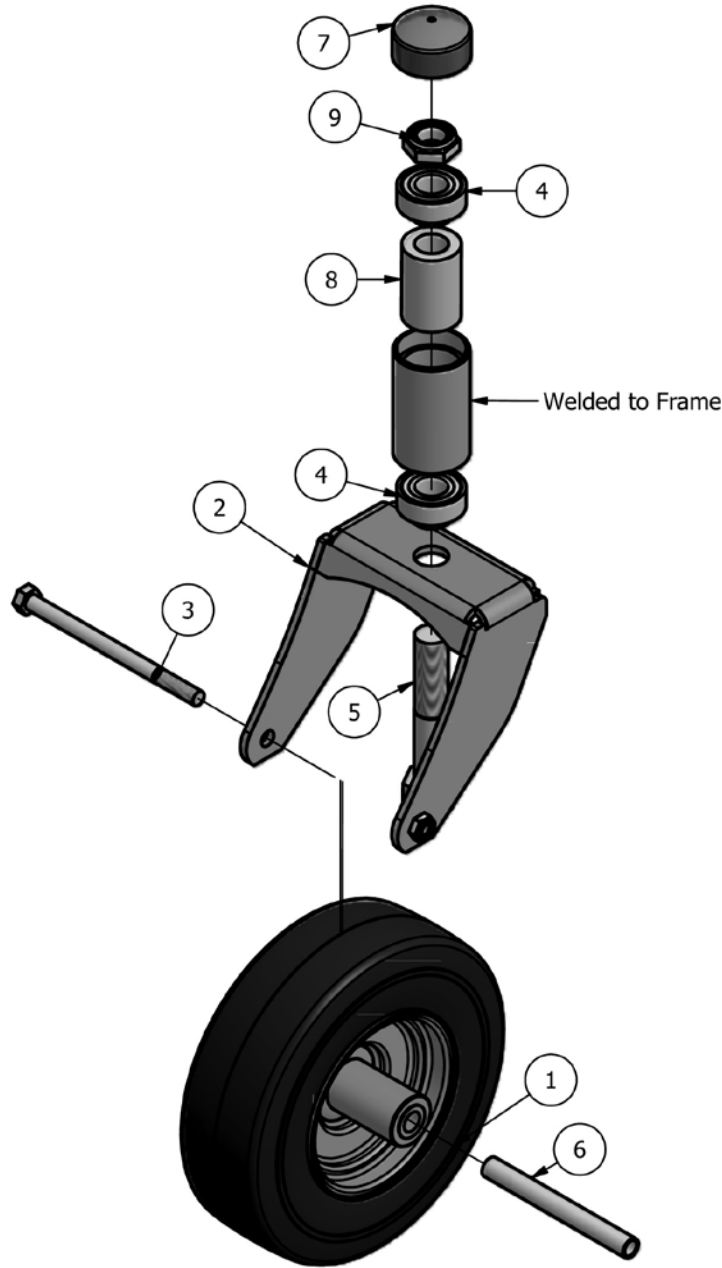
SECTION 12: GREASING THE BEARINGS

- 12.1 Park the machine on a level surface and disengage the blade control switch.
- 12.2 Move the motion control levers outward to the neutral position, engage parking brake, stop the engine, remove the key, and wait for all moving parts to stop before leaving the operating position.
- 12.3 Grease Type: NLGI grade #2 multi-purpose gun grease. Grease the front cater pivots.
- 12.4 Clean the grease fittings with a cloth. Scrape any paint off the front of the fitting(s).
- 12.5 Connect a grease gun to each fitting. Pump grease in fittings until greases begins to seep out of the bearings. Wipe up excess grease.
- 12.6 Total Number of fittings for most models is 14.

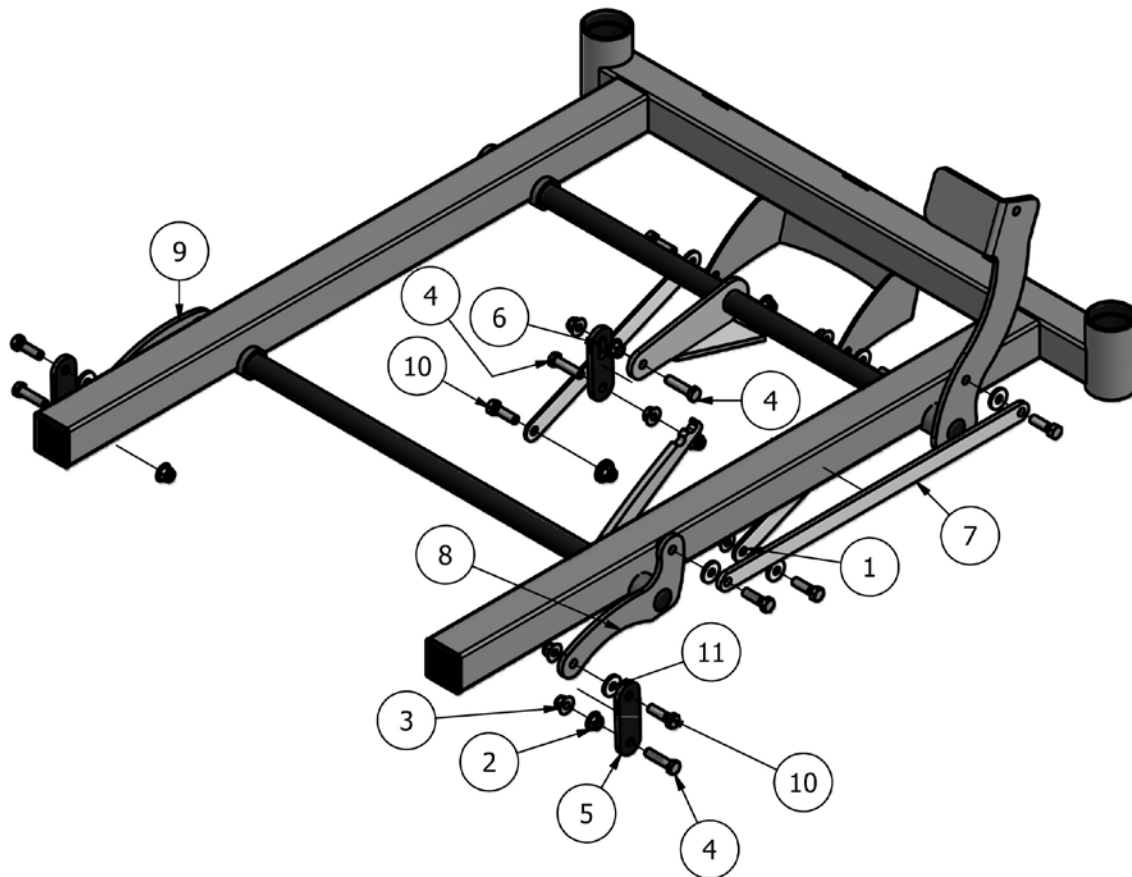


PARTS MANUAL FOR YOUR

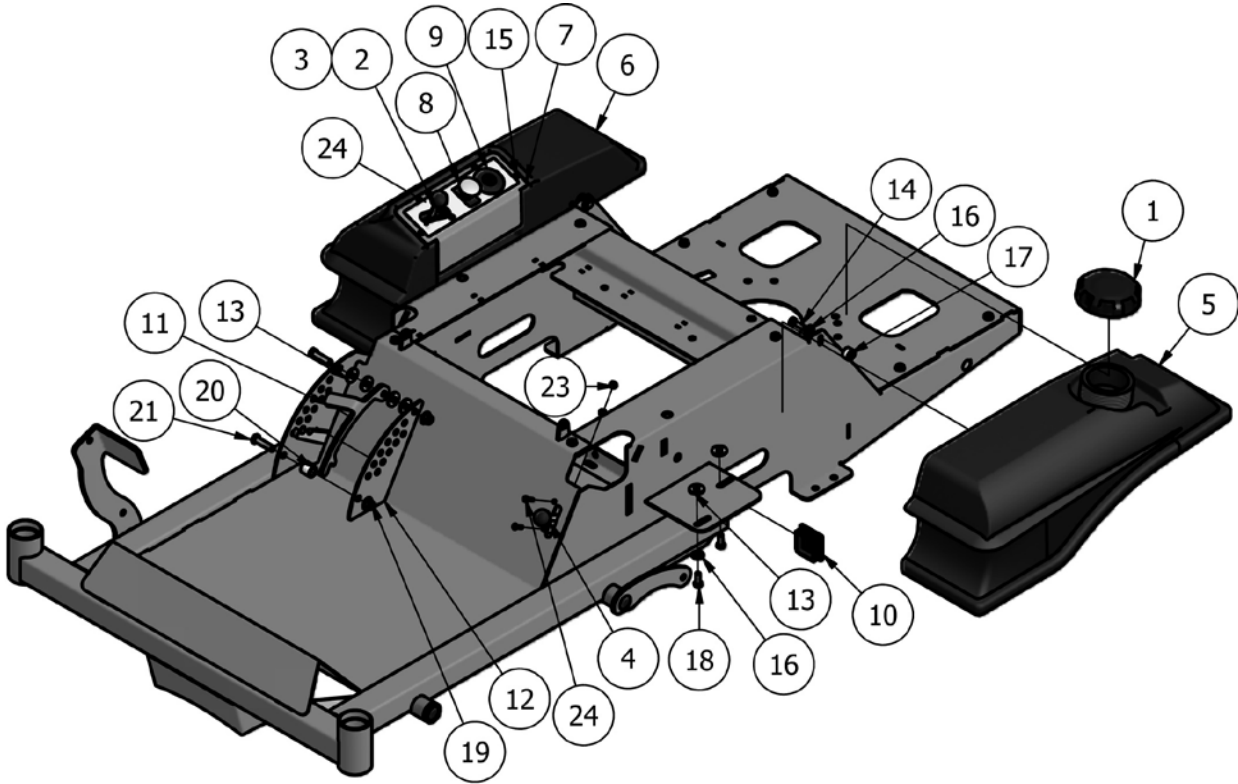
MZ Model
Zero Turn Mower



Parts List			
ITEM	QTY	PART NUMBER	DESCRIPTION
1	2	022-8051-00	11 x 4.00 - 5 Front tire (Smooth) & Wheel Assembly
2	2	023-1000-00	Front Fork
3	2	018-0004-00	1/2 x 7 Hex Bolt Grade 5
4	4	010-2000-00	Mini Z Bearing
5	2	018-0005-00	1-14 x 5 Hex Bolt Grade 8 Zinc Yellow
6	2	025-0008-00	Front Wheel Spanner
7	2	014-2050-00	Rubber Bearing Cap
8	2	025-0005-00	MZ Caster Bearing Spacer
9	2	013-0005-00	1-14 Nylock Jam Nut
10	2	013-6052-00	1/2-20 Nylon Insert Jam Locknut Zinc Orange Zinc
11	1	022-2011-00	Wheel Bearing MZ
12	1	022-2012-00	11 x 4.00 - 5 Tire Only MZ
13	1	022-2013-00	Front Wheel Only MZ

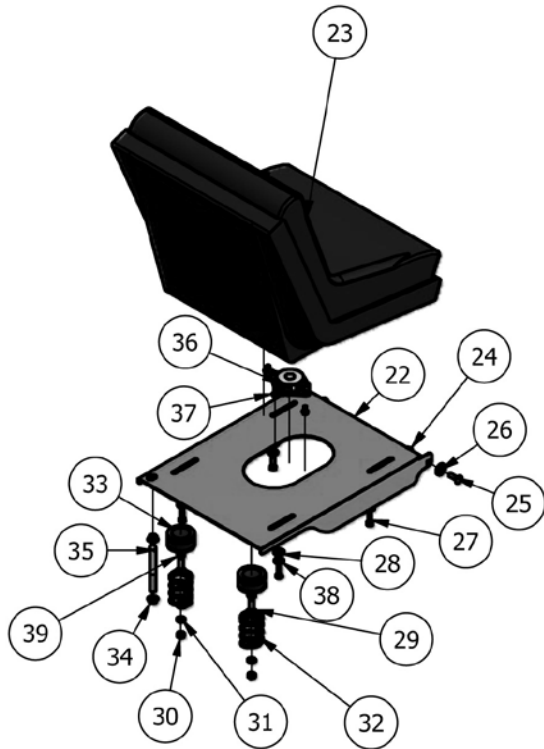


Parts List			
ITEM	QTY	PART NUMBER	DESCRIPTION
1	2	031-1010-00	MZ Front Arms
2	4	013-5201-00	3/8-16 Hex flange Nut Zinc w/Serrations
3	12	013-5202-00	3/8 Nylock Flange Nut
4	4	018-6012-00	3/8-16 x 1-1/2 GR5 Hex Bolt
5	2	025-0010-00	Deck Spacer (Rear)
6	1	025-0020-00	Deck Spacer (Front)
7	1	028-0050-00	Deck Linkage Rod
8	1	031-1020-00	MZ Deck Pivot Lever
9	1	031-1030-00	MZ Deck Pivot Support
10	8	018-5040-00	3/8-16 x 1-1/4 GR 5 Hex Bolt Zinc
11	8	019-6042-00	.360 ID Plastic Washer

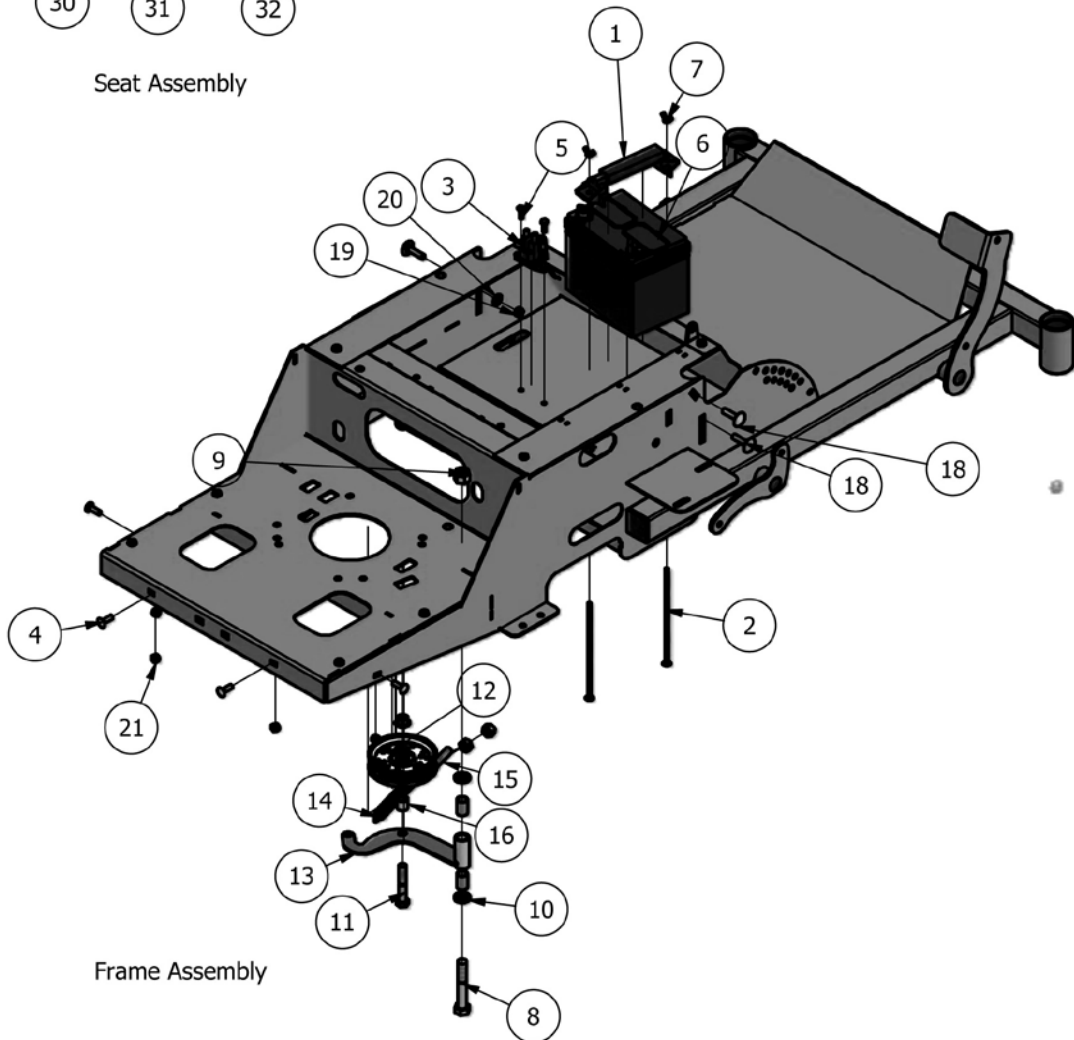


Parts List

ITEM	QTY	PART NUMBER	DESCRIPTION
1	1	066-8076-00	Fuel Cap
2	1	055-3000-00	Throttle Lever W/Choke 26Hp
3	1	055-3021-00	Throttle Lever W/Choke 21Hp
4	1	064-8057-00	Brake Lever
5	1	067-2000-00	3 Gallon Fuel Tank
6	1	067-2001-00	Fender Console
7	1	079-0050-00	MZ Control Panel
8	1	056-8058-00	PTO Engager
9	1	077-8076-00	Ignition Switch
9A	1	042-9000-00	Ignition Key
10	2	014-9000-00	2x2 Square Plug
11	1	031-1050-00	Deck Level Lock
12	1	026-2020-00	MZ Height Indicator Plate
13	8	019-6042-00	.360ID Plastic Washer
14	2	018-2007-00	5/16-18 x 1 Grade 5 Hex bolt Zinc
15	4	018-2010-00	10-32 x 3/8 Button Socket C/S 18-8 SS
16	6	019-8051-00	5/16 Lock Washer Zinc
17	2	025-2025-00	MZ Tank Spacer
18	4	018-8063-00	5/16-18 x 3/4 Grade 5 Hex bolt Zinc
19	2	013-5202-00	3/8 Nylock Flange Nut
20	1	025-5203-00	3/4OD x 1/2ID x 3/4 Spacer
21	2	018-6012-00	3/8-16 x 1-1/2 GR5 Hex Bolt
23	4	013-5019-00	10-24 Nylon Insert Locknut Zinc Orange Nylon
24	4	018-8057-00	10-24 x 3/4 Button Socket C/S 18-8 SS



Seat Assembly



Frame Assembly

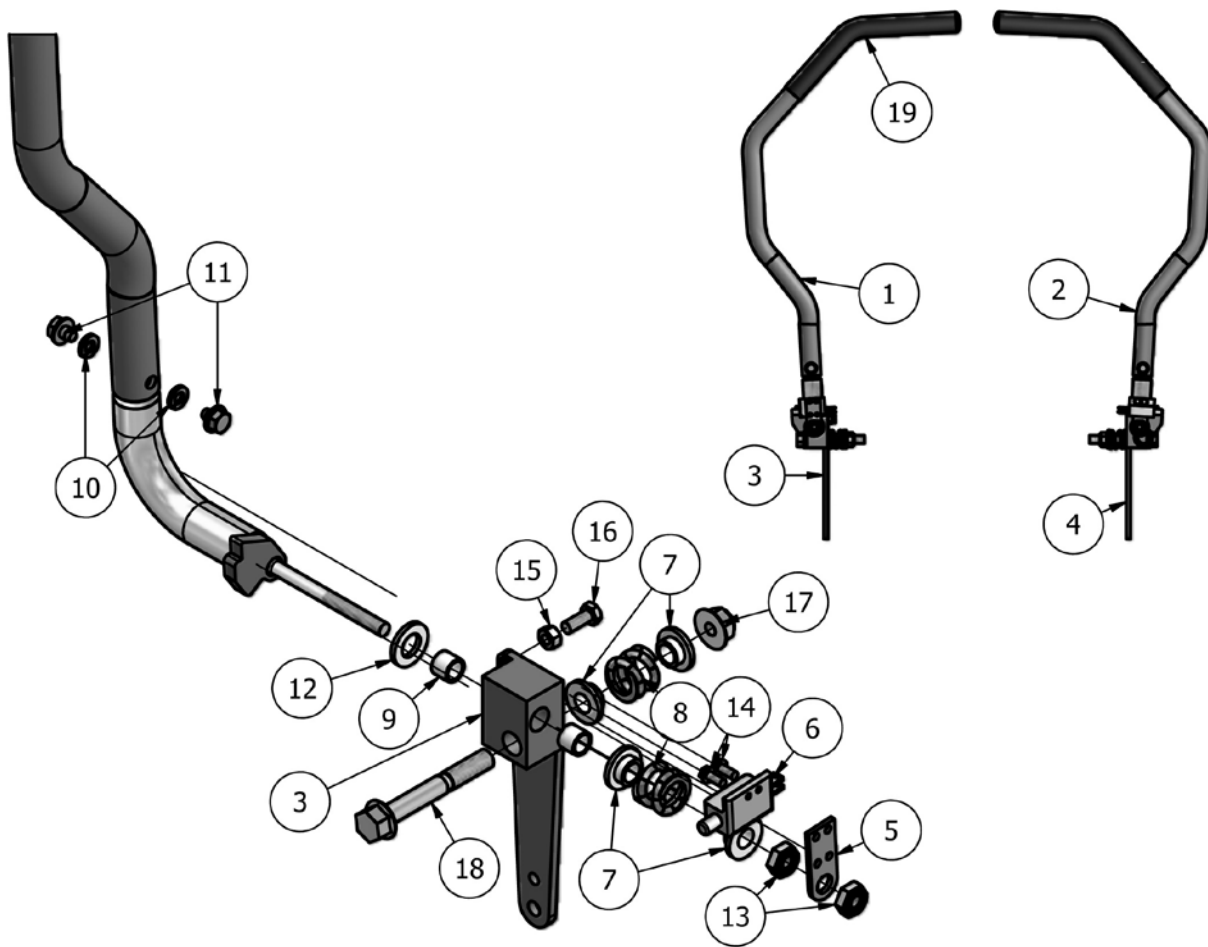


Frame Assembly Parts List

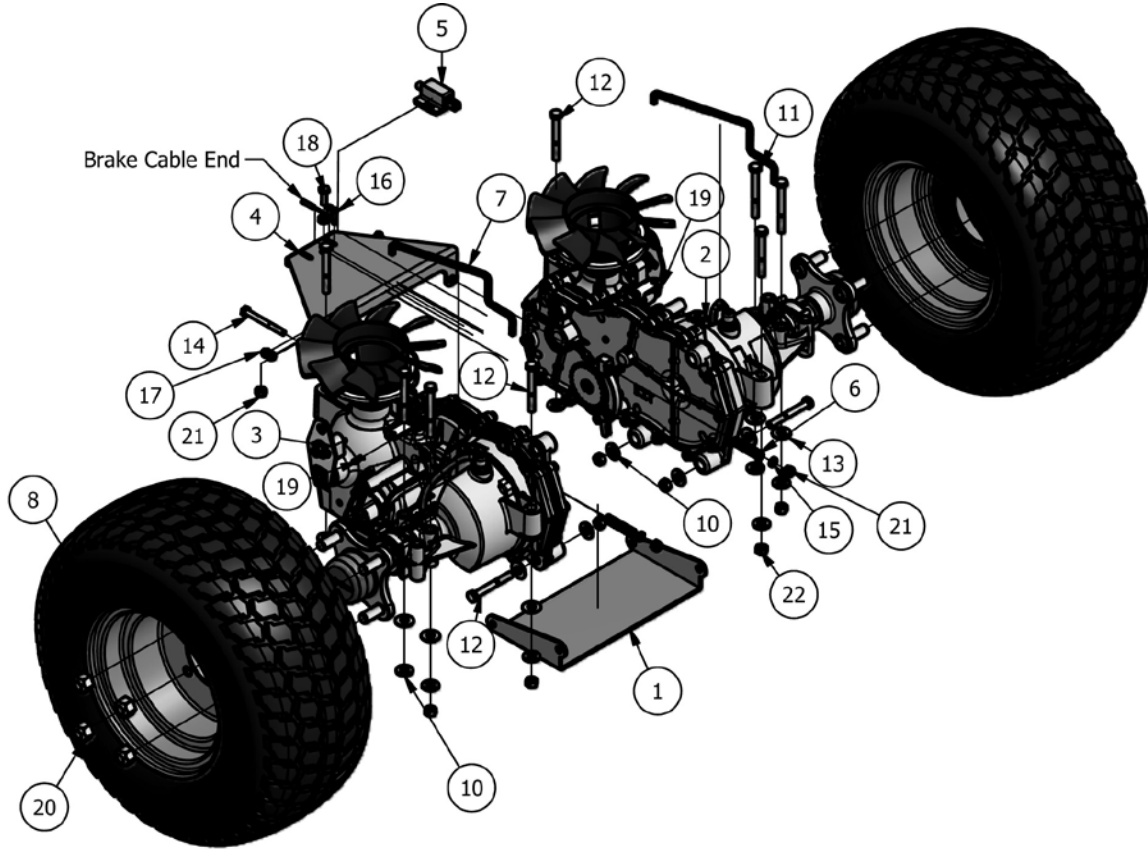
Parts List			
ITEM	QTY	PART NUMBER	DESCRIPTION
1	1	043-8929-98	Battery Hold Down
2	2	018-8050-00	1/4-20 x 8 Carriage Bolt Zinc
3	1	108-5349-00	ZT Solenoid
4	4	018-8065-00	5/16-18 x 1 Carriage Bolts Zinc
5	4	018-8052-00	1/4-20 x 3/4 Grade 5 Hex bolts Zinc
6	1	068-2000-00	Battery (MZ)
7	2	013-8051-00	1/4-20 Wing Nut Zinc
8	1	018-5311-00	5/8-11 X 4 GR 5 Hex Bolts Zinc
9	1	013-7021-00	5/8-11 Nylon Insert Locknut Zinc Orange Nylon
10	2	019-6017-00	.630 ID X 1.122 OD X .142 THK Flat Washer Nylon
11	1	018-6036-00	1/2 x 2-1/2 Hex Bolt
12	1	033-6001-00	4-3/4 Idler Pulley
13	1	039-7000-00	MZ Idler Arm Bracket
14	1	034-9050-00	Deck Idler Spring MZ
15	1	018-2004-00	Spring Tensioner
16	2	025-5203-00	3/4OD x 1/2ID x 3/4 Spacer
17	1	024-6034-00	1/4" Drive in Grease Fitting
18	4	018-4706-00	3/8 x 1-1/2 Carriage Bolt
19	4	013-6014-00	3/8-16 Hex Nuts Zinc
20	4	019-5029-00	3/8 USS Flat Washer Zinc
21	4	013-8047-00	5/16-18 Nylon Insert Locknut Zinc Orange Nylon

Seat Assembly Parts List

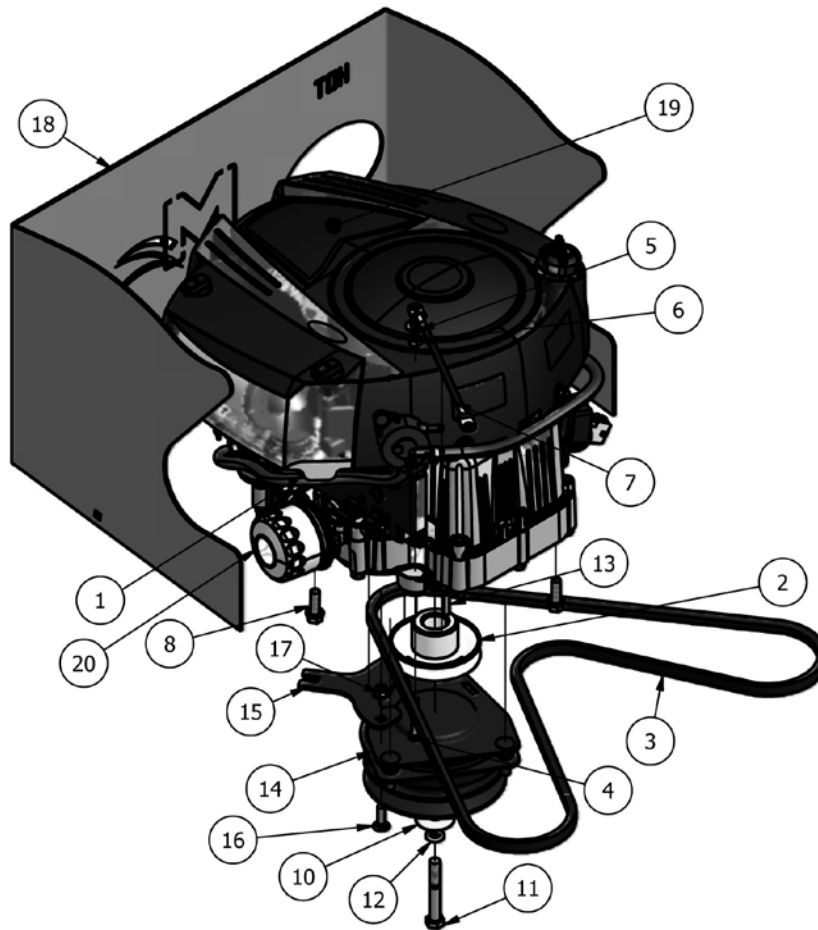
Parts List			
ITEM	QTY	PART NUMBER	DESCRIPTION
22	1	026-2010-00	MZ Seat Plate
23	1	071-8095-00	Gray Bucket Seat with no Arms/Sides
24	2	013-8049-00	5/16-18 Nylon Insert Flange Nut Zinc Orange Nylon
25	2	018-8065-00	5/16-18 x 1 Carriage Bolts Zinc
26	2	019-6042-00	.360ID Plastic Washer
27	4	018-2007-00	5/16-18 x 1 Grade 5 Hex bolt Zinc
28	4	019-8044-00	5/16 USS Flat Washer Zinc
29	2	019-5029-00	3/8 USS Flat Washer Zinc
30	2	013-6014-00	3/8-16 Hex Nuts Zinc
31	2	019-5037-00	3/8 Lockwasher Zinc
32	2	034-8045-00	Seat Spring
33	2	014-8047-00	Seat Bumper
34	2	013-5300-00	1/2-13 Hex flange Nut Zinc w/Serrations
35	1	044-4000-00	Seat Post
36	1	071-8061-00	Seat Saftey Switch
37	2	030-7041-00	1/4-20 x 1/4 Hex Washer Head Bolt Slot Type
38	4	019-8051-00	5/16 Lock Washer Zinc
39	2	018-5040-00	3/8-16 x 1-1/4 GR 5 Hex Bolt Zinc



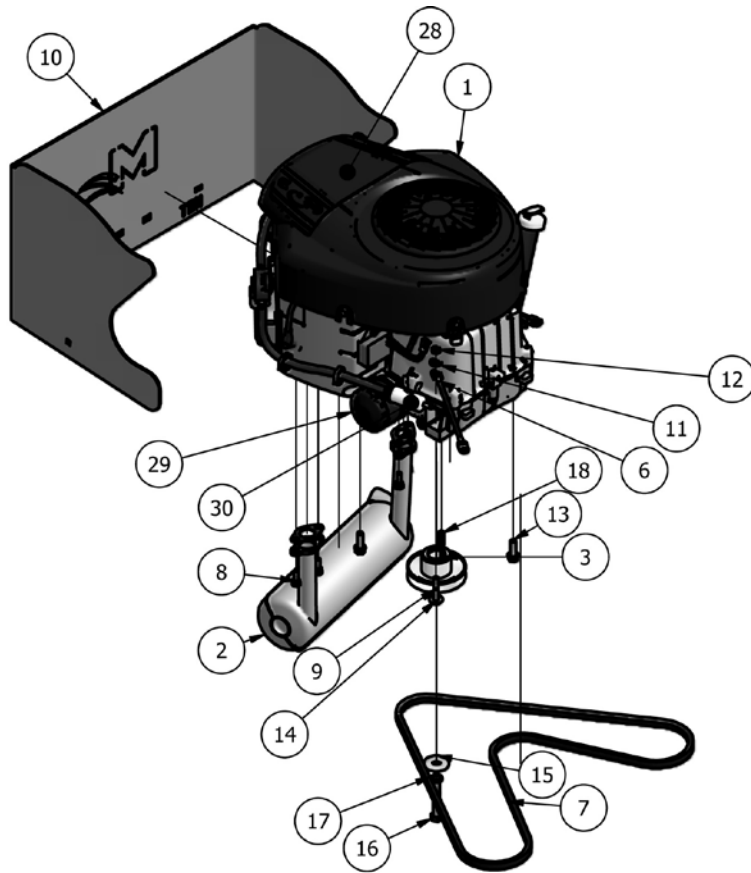
Parts List			
ITEM	QTY	PART NUMBER	DESCRIPTION
1	1	031-8821-00	ZT Direction Steering Arm (Left)
2	1	031-8822-00	Direction Steering Arm (Right)
3	1	027-9000-00	Drive Arm Lever Housing (Left)
4	1	027-9001-00	Drive Arm Lever Housing (Right)
5	2	039-1125-00	MZ Switch Bracket
6	2	077-8073-00	Safety Switch
7	8	019-8027-00	.515 ID Nylon Shoulder Washer
8	4	034-8025-00	Drive Lever Spring
9	8	032-8024-00	.507 ID Nylon Bushing
10	4	019-8051-00	5/16" Lock Washer
11	4	018-2007-00	5/16" x 1/2" Flange Bolt
12	6	019-6017-00	.635 ID Plastic Washer
13	4	013-6052-00	1/2-20 Nylon Insert Jam Locknut Zinc Orange Zinc
14	4	018-1080-00	12-24 x 1/2 Hex Washer Head bolt
15	2	013-8043-00	5/16-18 Hex Nuts Zinc
16	2	018-8063-00	5/16-18 x 3/4 Grade 5 Hex bolt Zinc
17	2	013-8050-00	1/2-13 Nylon Insert Flangenut Zinc Orange Nylon
18	2	018-2018-00	1/2 x 3-1/2 Flange Bolt - Grade 8
19	1	069-4007-00	Rubber Steering Arm



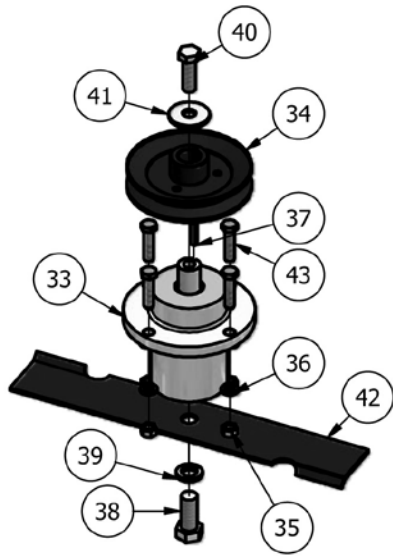
Parts List			
ITEM	QTY	PART NUMBER	DESCRIPTION
1	1	201-2020-00	Trans Axle Support Lower
2	1	050-4000-00	EZT - Right
3	1	050-4050-00	EZT (Left)
4	1	039-1124-00	Brake Lock Bracket
5	1	077-8073-00	Safety Switch
6	2	034-3050-00	Brake Spring
7	2	028-0060-00	Brake Bar
8	2	022-8050-00*	18 x 9.5-8 Tire and Wheel Assembly 48" Deck Only
9	1	022-2050-00*	18 x 7.5 - 8 Tire and Wheel Assembly 42" Deck Only
10	12	019-8051-00	5/16 Lock Washer Zinc
11	4	018-0003-00	5/16-18 X 2-3/4 Hex Bolt - Grade 5
12	8	018-5344-00	5/16 x 2 1/2 Bolt
13	12	019-8044-00	5/16 USS Flat Washer Zinc
14	2	618-1075-00	1/4-20 x 2-1/2 Grade 5 Hex bolts Zinc
15	2	019-7040-00	1/1 USS Flat Washer Zinc
16	2	018-8057-00	10-24 x 3/4 Button Socket C/S 18-8 SS
17	2	013-5019-00	10-24 Nylon Insert Locknut Zinc Orange Nylon
18	1	018-8052-00	1/4-20 x 3/4 Grade 5 Hex bolts Zinc
19	2	025-2025-00	Cotter Pin
20	8	013-3000-00	Acorn Lug Nut
21	3	013-8073-00	1/4-20 Nylon Insert Locknut Zinc Orange Nylon
22	12	013-8043-00	5/16-18 Hex Nuts Zinc
23	1	022-8025-00	18 x 9.50 - 8 Rear Tire Only 48 MZ
24	1	022-8026-00	Rear Wheel 48 MZ
25	1	022-8027-00	18 x 7.50 - 8 Rear Tire Only 42 MZ
26	1	022-8028-00	Rear Wheel 42 MZ



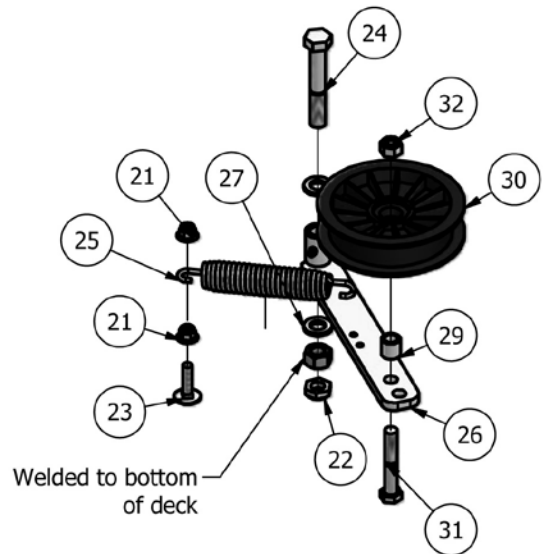
Parts List			
ITEM	QTY	PART NUMBER	DESCRIPTION
1	1	015-0021-00	21Hp Briggs Intek
2	1	033-2010-00	3-3/4" Motor Pulley
3	1	041-6400-00	Pump Belt for ZT
4	1	018-8059-00	5/16-18 x 1-3/4 Grade 5 Hex Bolt
5	1	019-8051-00	5/16 Lock Washer Zinc
6	1	013-8043-00	5/16-18 Hex Nuts Zinc
7	1	064-0030-00	Ground Cable
8	3	018-5051-00	3/8 x 1-1/8 Hex Washer Head Engine Bolt
9	1	019-8044-00	5/16 USS Flat Washer Zinc
10	1	019-6019-00	Spring Blade Cupped Washer
11	1	018-0006-00	MZ Crank Shaft Bolt
12	1	019-8053-00	7/16 Lock Washer Zinc
13	1	042-6030-00	1/4 x 1 Square Key
14	1	070-3000-00	MZ Clutch
15	1	057-5920-00	MZ Clutch Holder
16	2	018-8065-00	5/16-18 x 1 Carriage Bolts Zinc
17	2	013-8049-00	5/16-18 Nylon Insert Flange Nut Zinc Orange Nylon
18	1	026-0100-00	Engine Rear Plate
19	1	063-4026-00	Air Filter 21Hp MZ
20	1	063-4025-00	Oil Filter 21Hp MZ



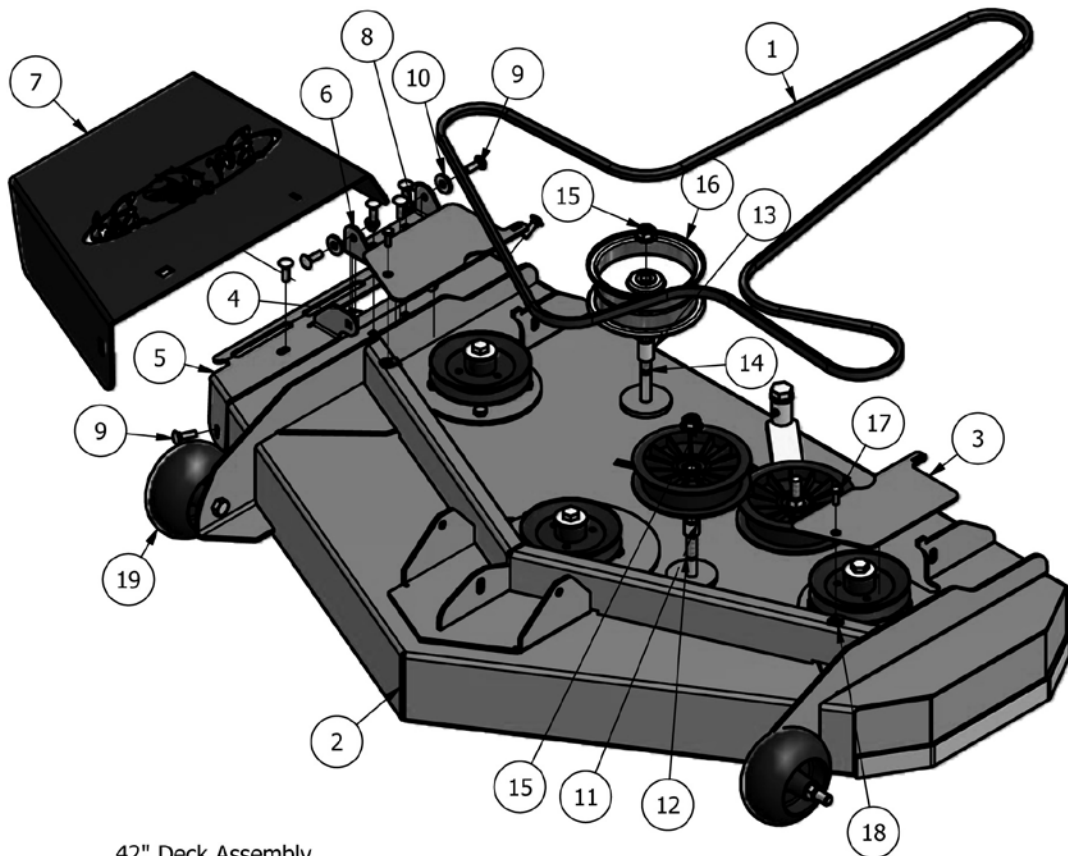
Parts List			
ITEM	QTY	PART NUMBER	DESCRIPTION
1	1	015-2010-00*	26hp Briggs Pro Series W/1in Shaft and Gasket
2	1	015-0002-00	MZ 26Hp Exhaust W/Gasket
3	1	033-2010-00	3-3/4" Motor Pulley
6	1	064-0030-00	Ground Cable
7	1	041-6400-00	Pump Belt for ZT
8	4	018-8067-00	5/16-18 X 3/4 SOCKET C/S
9	1	018-8059-00	5/16-18 x 1-3/4 Grade 5 Hex Bolt
10	1	026-0110-00	Engine Rear Plate 26hp
11	1	019-8051-00	5/16 Lock Washer Zinc
12	1	013-8043-00	5/16-18 Hex Nuts Zinc
13	3	018-5051-00	3/8 x 1-1/8 Hex Washer Head Engine Bolt
14	1	019-8044-00	5/16 USS Flat Washer Zinc
15	1	019-6019-00	Spring Blade Cupped Washer
16	1	018-0006-00	MZ Crank Shaft Bolt
17	1	019-8053-00	7/16 Lock Washer Zinc
18	1	042-6030-00	1/4 x 1 Square Key
19	2	018-8065-00	5/16-18 x 1 Carriage Bolts Zinc
28	1	063-4000-00	Air Filter and Precleaner for MZ 26Hp
29	1	063-8018-00	Briggs Oil Filter
30	1	063-6000-00	Briggs Fuel Filter



Spindle Assembly



Idler Assembly



42" Deck Assembly



42" Deck Parts List

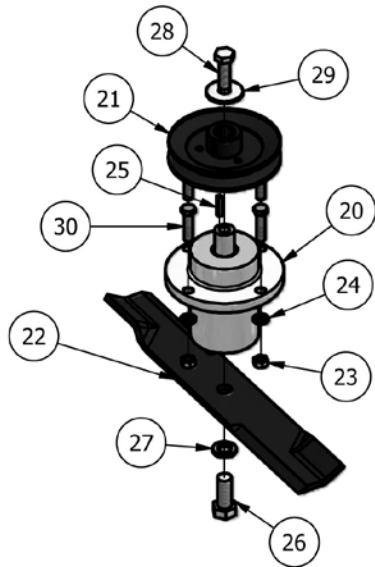
Parts List			
ITEM	QTY	PART NUMBER	DESCRIPTION
1	1	041-0120-00	B120 Deck Belt
2	1	060-2300-00	Mz 42 Deck
3	2	014-4200-00	MZ42 Pulley Cover
4	1	039-4890-00	MZ Discharge Chute Bracket (Bottom)
5	1	039-4891-00	MZ Discharge Chute Bracket (Top)
6	1	206-6020-00	MZ Discharge Chute Hanger
7	1	210-6015-00	Discharge Chute MZ
8	9	013-8049-00	5/16-18 Nylon Insert Flange Nut Zinc Orange Nylon
9	9	018-8065-00	5/16-18 x 1 Carriage Bolts Zinc
10	2	019-6042-00	.360ID Plastic Washer
11	2	025-5203-00	3/4OD x 1/2ID x 3/4 Spacer
12	2	018-6036-00	1/2 x 2-1/2 Hex Bolt
13	1	025-5337-00	1-1/8 Spacer
14	1	018-2018-00	1/2 x 3-1/2 Flange Bolt - Grade 8
15	2	013-8050-00	1/2-13 Nylon Insert Flangenut Zinc Orange Nylon
16	1	033-5001-00	5 3/4" Deck Idler Pulley
17	2	018-8052-00	1/4-20 x 3/4 Grade 5 Hex bolts Zinc
18	2	013-0054-00	1/4-20 Cage Nut
19	2	022-5234-00	Anti-Scalp Rollers
20	1	022-5234-98	Anti-Scalp Roller Assembly

Idler Assembly

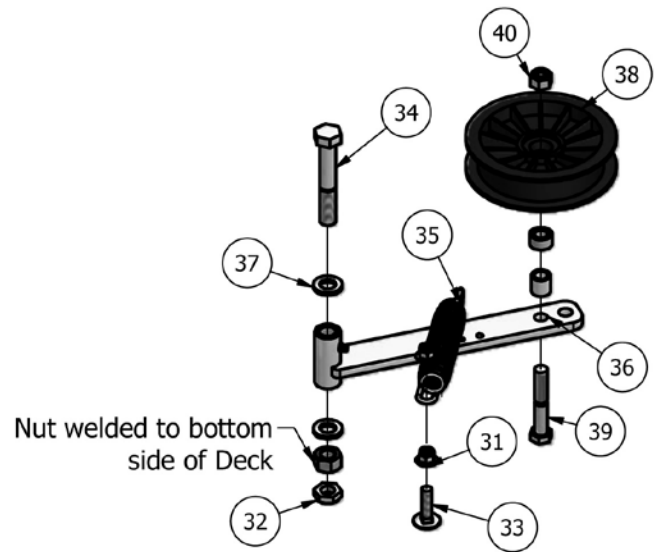
Parts List			
ITEM	QTY	PART NUMBER	DESCRIPTION
21	2	013-5202-00	3/8 Nylock Flange Nut
22	1	013-5301-00	5/8-11 Nylon Insert Jam Locknut Zinc
23	1	018-4706-00	3/8 x 1-1/2 Carriage Bolt
24	1	018-5311-00	5/8-11 X 4 GR 5 Hex Bolts Zinc
25	1	034-2009-00	Deck Idler Spring MZ
26	1	039-6945-00	Deck Idler Bracket
27	2	019-6017-00	.630 ID X 1.122 OD X .142 THK Flat Washer Nylon
28	1	024-6034-00	1/4" Drive in Grease Fitting
29	1	025-5203-00	3/4 OD x 1/2 ID x 3\4 Length
30	1	033-2000-00	Plastic Idler Pulley (Mini Z Models)
31	1	018-6036-00	1/2 x 2-1/2 Hex Bolt
32	1	013-6037-00	1/2-12 Nylon Locknut Zinc Orange Nylon

Spindle Assembly

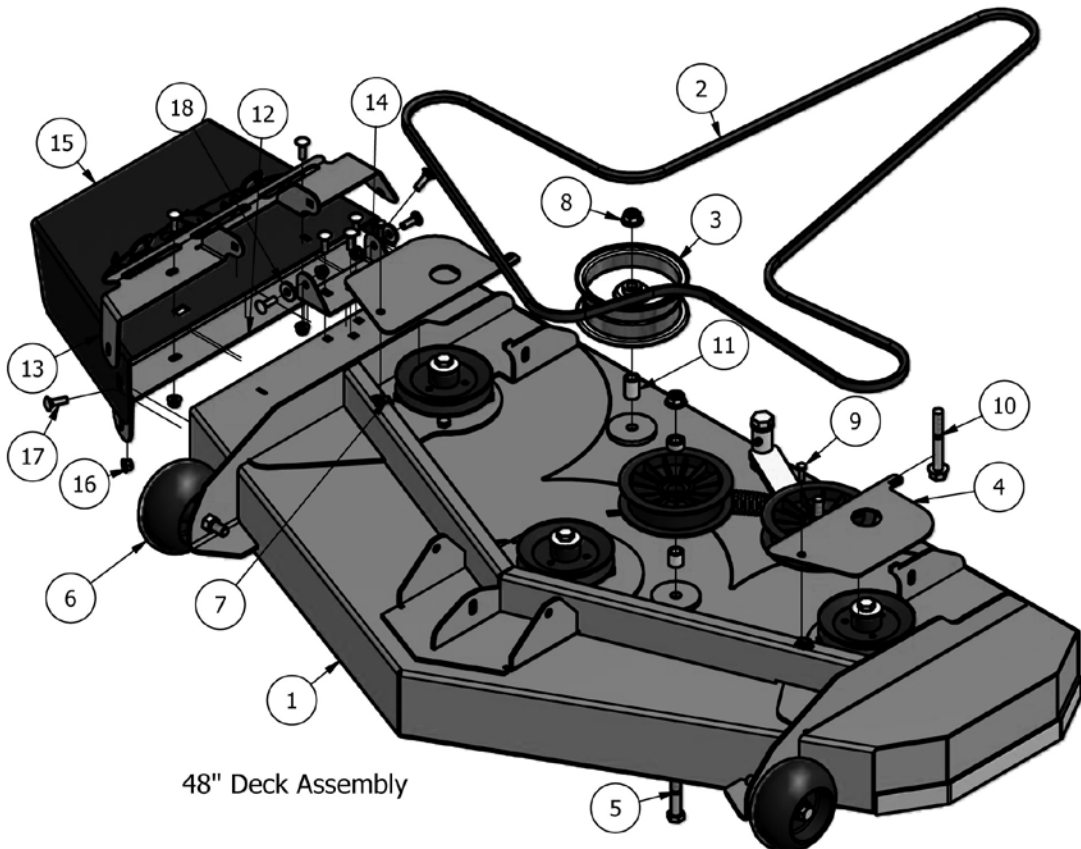
Parts List			
ITEM	QTY	PART NUMBER	DESCRIPTION
33	1	037-2000-00	Spindle and Pulley Assembly MZ Model
34	1	033-4820-00	MZ Deck Pulley
35	4	013-6014-00	3/8-16 Hex Nuts Zinc
36	4	019-5037-00	3/8 Lockwasher Zinc
37	1	042-0010-00	3/16 x 1 Square Key
38	1	018-6020-00	5/8-11 X 1-1/2 GR 8 Hex Bolts Zinc
39	1	019-5007-00	5/8 Lock Washer Zinc
40	1	018-6019-00	1/2-20 x 1-1/2 Grade 5 Hex Bolt Zinc
41	1	019-6019-00	Spring Blade Cupped Washer
42	1	038-4221-00	MZ 42 Blade
43	4	018-6012-00	3/8-16 x 1-1/2 GR5 Hex Bolt



Spindle Assembly



Idler Arm Assembly



48" Deck Assembly



Deck Parts List

Parts List			
ITEM	QTY	PART NUMBER	DESCRIPTION
1	1	060-2100-00	Mz 48" Deck
2	1	041-6027-00	B128 Deck Belt
3	1	033-5001-00	5 3/4" Deck Idler Pulley
4	2	014-4850-00	MZ Pulley Cover
5	2	018-6036-00	1/2 x 2-1/2 Hex Bolt
6	2	022-5234-00	Anti-Scalp Rollers
7	2	013-0054-00	1/4-20 Cage Nut
8	2	013-8050-00	1/2-13 Nylon Insert Flangenut Zinc Orange Nylon
9	2	018-8052-00	1/4-20 x 3/4 Grade 5 Hex bolts Zinc
10	1	018-2018-00	1/2 x 3-1/2 Flange Bolt - Grade 8
11	1	025-5337-00	1-1/8 Spacer
12	1	039-4890-00	MZ Discharge Chute Bracket (Bottom)
13	1	039-4891-00	MZ Discharge Chute Bracket (Top)
14	1	206-6020-00	MZ Discharge Chute Hanger
15	1	210-6015-00	Discharge Chute MZ
16	9	013-8049-00	5/16-18 Nylon Insert Flange Nut Zinc Orange Nylon
17	9	018-8065-00	5/16-18 x 1 Carriage Bolts Zinc
18	2	019-6042-00	.360ID Plastic Washer
19	2	022-5234-98	Anti-Scalp Roller Assembly

Spindle Assembly Parts List

Parts List			
ITEM	QTY	PART NUMBER	DESCRIPTION
20	3	037-2000-00	Spindle and Pulley Assembly MZ Model
21	3	033-4820-00	MZ Deck Pulley
22	3	038-4826-00	48" High Lift Fusion Blade MZ
23	12	013-6014-00	3/8-16 Hex Nuts Zinc
24	12	019-5037-00	3/8 Lockwasher Zinc
25	3	042-0010-00	3/16 x 1 Square Key
26	3	018-6020-00	5/8-11 X 1-1/2 GR 8 Hex Bolts Zinc
27	3	019-5007-00	5/8 Lock Washer Zinc
28	3	018-6019-00	1/2-20 x 1-1/2 Grade 5 Hex Bolt Zinc
29	3	019-6019-00	Spring Blade Cupped Washer
30	12	018-6012-00	3/8-16 x 1-1/2 GR5 Hex Bolt

Idler Arm Parts List

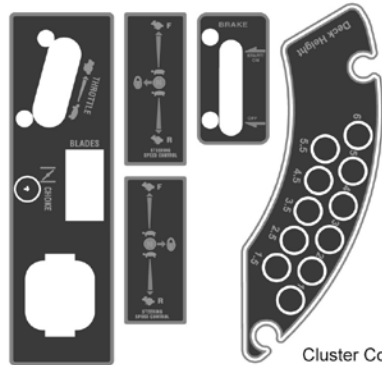
Parts List			
ITEM	QTY	PART NUMBER	DESCRIPTION
31	2	013-5202-00	3/8 Nylock Flange Nut
32	1	013-5301-00	5/8-11 Nylon Insert Jam Locknut Zinc
33	1	018-4706-00	3/8 x 1-1/2 Carriage Bolt
34	1	018-5311-00	5/8-11 X 4 GR 5 Hex Bolts Zinc
35	1	034-2009-00	Deck Idler Spring MZ
36	1	039-6945-00	Deck Idler Bracket
37	2	019-6017-00	.630 ID X 1.122 OD X .142 THK Flat Washer Nylon
38	1	033-2000-00	Plastic Idler Pulley (Mini Z Models)
39	1	018-6036-00	1/2 x 2-1/2 Hex Bolt
40	1	013-6037-00	1/2-12 Nylon Locknut Zinc Orange Nylon



Bad Boy, Inc.
MZ Mower Decal List



091-1035-00
MZ Bad Boy Front Domed Decal



091-1000-00
MZ Control Decal Cluster

Cluster Contains:
Ignition/Master Control Decal
Left Steer Speed Decal
Right Steer Speed Decal
Brake Decal
Deck Height Decal



091-1030-00
MZ Logo Domed Front Decal



091-1025-00
MZ Logo Rear Decal



091-3310-00
MZ Pro Series 42" Decal



091-3044-00
MZ Pro Series 48" Decal



091-1015-00
MZ 21hp Z Pro Decal



091-3048-00
MZ 26hp Z Pro Decal



091-3309-00
MZ Belt Route Decal



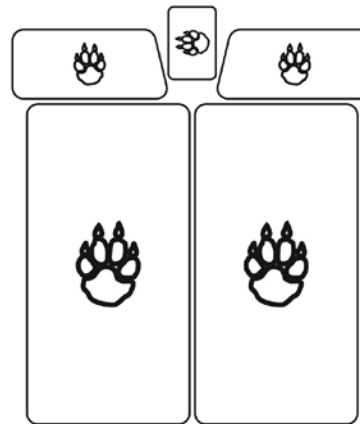
091-3300-00
MZ Operator Warning Decal



091-1010-00
MZ Danger Blade Decal

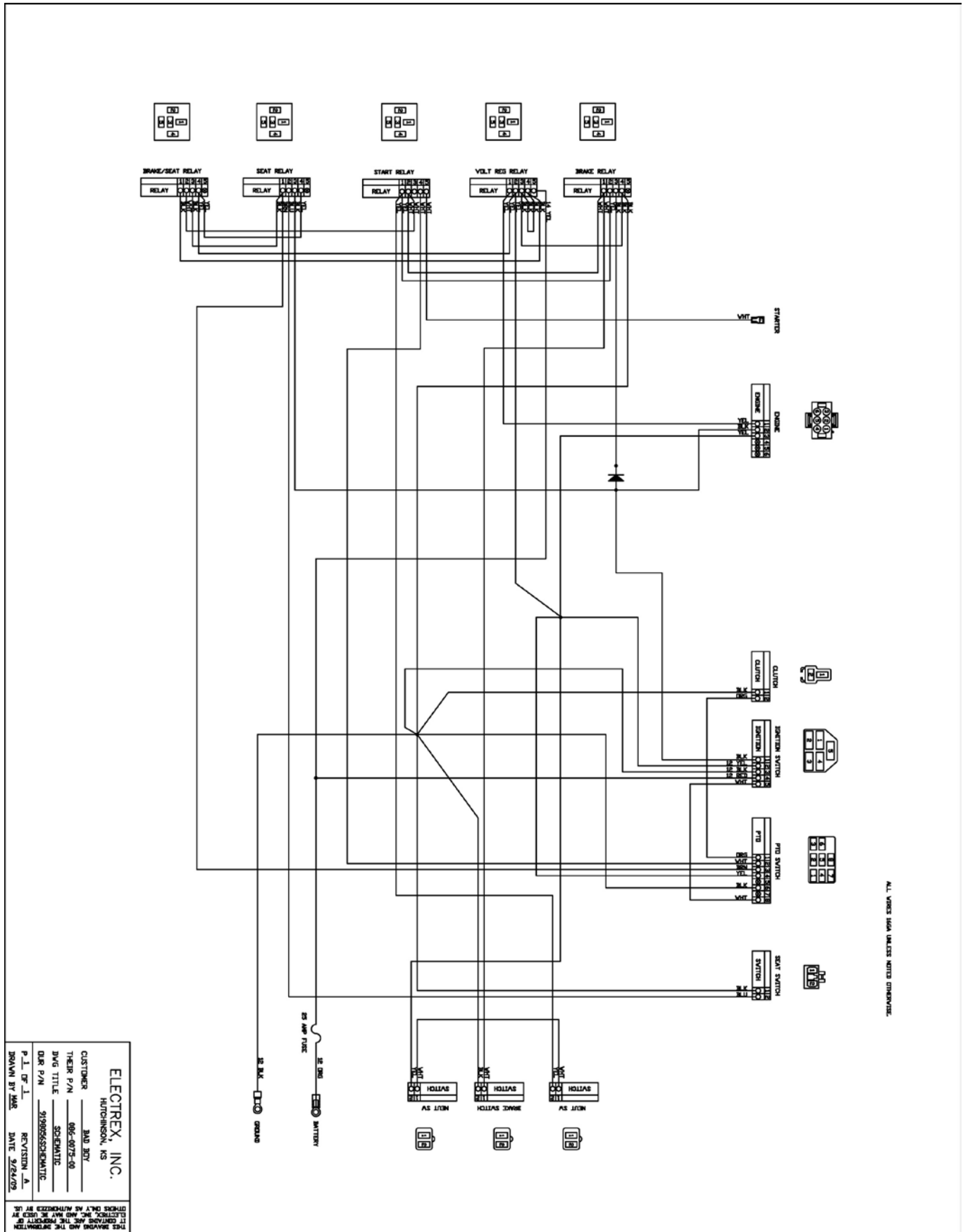


091-1020-00
MZ Caution Hydraulic Decal



091-1040-00
MZ Floor Panel Cluster

Parts List			
ITEM	QTY	PART NUMBER	DESCRIPTION
1	1	091-1000-00	MZ Control Decal Cluster
2	1	091-1035-00	MZ Bad Boy Front Domed Decal
3	1	091-1030-00	MZ Logo Domed Front Decal
4	1	091-1025-00	MZ Logo Rear Decal
5	1	091-3310-00	MZ Pro Series 42" Decal
6	1	091-3044-00	MZ Pro Series 48" Decal
7	1	091-1015-00	MZ 21hp Z Pro Decal
8	1	091-3048-00	MZ 26hp Z Pro Decal
9	1	091-3309-00	MZ Belt Route Decal
10	1	091-3300-00	MZ Operator Warning Decal
11	1	091-1010-00	MZ Danger Blade Decal
12	1	091-1020-00	MZ Caution Hydraulic Decal
13	1	091-1040-00	MZ Floor Panel Cluster



ELECTREX, INC.
 HITCHKINSON, MS
 CUSTOMER: BOB BOY
 THEIR P/N: 096-0075-00
 DWG TITLE: SCHEMATIC
 OUR P/N: 91292655SCHEMATIC
 P. 1 OF 1 REVISION: A
 DRAWN BY: MMR DATE: 2/24/09

THIS DRAWING AND THE INFORMATION
 CONTAINED HEREIN ARE THE PROPERTY OF
 ELECTREX, INC. AND MAY BE USED BY
 OTHERS ONLY AS AUTHORIZED BY US.



Bad Boy, Inc.
102 Industrial Drive
Batesville, AR 72501
1.866.622.3269
www.badboymowers.com

Technical Support:

James Russell Extension 6638
Bill Hurst (bill@badboymowers.com) Extension 6617
Brad Covington Extension 6648

Warranty:

Dustin Tissiere (dustin@badboymowers.com) Extension 6613
Bill Hurst (bill@badboymowers.com) Extension 6617

Parts:

Brad Foree (brad@badboymowers.com) Extension 6637
Robert Patterson (robert.patterson@badboymowers.com) Extension 6649



For additional information, please see us at

www.badboymowers.com

Bad Boy, Inc.

102 Industrial Drive

Batesville, Arkansas 72501

(870) 698-0090