



Commercial ZT MODEL MOWER OWNER'S & PARTS MANUAL

2010 Edition

For additional information, please see us at

www.badboymowers.com

Bad Boy, Inc.

102 Industrial Drive

Batesville, Arkansas 72501

(870) 698-0090



TABLE OF CONTENTS

Basic Information..... Section 1 (pages 3, 4)

Bad Boy Safety Guidelines Section 2 (pages 5, 6)

Operation Section 3 (pages 6, 7)

Maintenance Section 4 (page 7)

Storage and Transportation Section 5 (page 8)

Adjustments..... Section 6 (pages 8, 9)

Troubleshooting and FAQ.....Section 7 (pages 9, 10)

Controls Section 8 (pages 10, 11)

Moving Inoperable Mower Section 9 (page 12)

InstrumentationSection 10 (page 13)

Blade Maintenance and Cutting Tips.....Section 11 (page 14)

Greasing Bearings..... Section 12 (pages 14, 15)

PARTS MANUAL BEGINS ON PAGE 15



This manual applies to the following equipment:

Bad Boy Commercial CZT Series

CZT 42" 23 hp Vanguard

CZT 50" 23 hp Vanguard

CZT 60" 23 hp Vanguard

**ALL INFORMATION IN THIS MANUAL
MAY NOT APPLY TO YOUR MOWER!**



SECTION 1: BASIC INFORMATION

Congratulations on the purchase of your new Bad Boy Mower! The purpose of this manual is to assist operators in maintaining and operating their machine. The information and instructions in this manual can help you attain years of performance from your new Bad Boy. Also, check out our website to learn more about the Bad Boy family.

- 1.1 All Bad Boy engines use 10W30 engine oil.
- 1.2 All Bad Boy hydraulic systems use 20W50 engine oil.
- 1.3 All Bad Boy Mowers use hi-temp multi-purpose grease. NLGI No. 2 for the grease fittings.
- 1.4 ZT & CZT models have 12 psi in both front and rear tires.
- 1.5 Pups, AOS, and Diesel models have 12 psi in front tires and 10 psi rear tires.
- 1.6 Most Briggs, Kohler, Kawasaki, and Vanguard engines hold one (1) quart of motor oil.
- 1.7 3 Cylinder Caterpillar engines hold four (4) quarts of motor oil and 4 Cylinder Caterpillar Engines Hold five (5) quarts.

Warranty Registration

The Warranty Registration form must be completed and signed to validate your warranty. As the new equipment owner, you are expected to see that the form is completed and forwarded to Bad Boy, Inc., at time of delivery.

Model/Serial Number

Lightning, Pup, AOS, Diesel model serial numbers are found on the SIN plate, located underneath the floor panel. CZT and ZT model serial numbers are found on the SIN plate underneath seat. The serial numbers are necessary on the warranty registration form. Also, these numbers can assist you in the ordering of new parts when replacements become necessary.

Parts/Service

Only Bad Boy replacement parts are to be used on your mower. Replacement parts are available through your local Bad Boy Mower Dealer. Remember to always provide the following information when ordering parts:

1. Correct part number
2. Correct serial number

All warranty repair and service must be handled through your authorized Bad Boy Mowers dealer. To locate the nearest dealer, go to our website and click on Locate a Dealer.



SECTION 2: MOWER OPERATION

Never allow untrained people to operate this machine. It is the owner's responsibility to get training and see to it that anyone who has permission to use your machine receives the proper training.

Do not mow around people. The factory discharge chute is designed to deflect debris downward, but it could be possible for debris to be thrown in a way that can cause damage to people or property.

Seek additional training when possible to learn more about safety techniques and practices.

SAFETY PRECAUTIONS

- 2.2 Always remain seated while operating machine.
- 2.3 Always maintain a safe distance from people and pets while mowing.
- 2.4 Always disengage blades, place steering controls in neutral, engage parking brake, and remove ignition key when leaving operators seat.
- 2.5 Always operate machine in daylight or with adequate working lights.
- 2.6 Be alert of surroundings. Watch for rocks, stumps, and mounds or depressions while mowing.
- 2.7 Always wear eye protection while mowing and servicing.
- 2.8 Always wear ear protection, such as earplugs, while mowing.
- 2.9 If you strike something with the mower turn the blades and mower off, engage the parking brake, and inspect the machine for damage before resuming.
- 2.10 Be aware of low hanging limbs or objects that could potentially be hazardous while mowing.
- 2.11 Never operate a poorly maintained machine.
- 2.12 Never carry passengers.
- 2.13 Always buckle seat belt, if provided one.
- 2.14 Never attempt high speed maneuvering, especially around people or property.
- 2.15 Never put hands or feet under the machine while ignition is on.
- 2.16 Never refuel machine when engine is running.
- 2.17 Never leave key in ignition, especially around children.
- 2.18 Never run engine in enclosed area.
- 2.19 Do not touch hot parts of machine.
- 2.20 Do not remove deck wheels.
- 2.21 Conditions that can affect traction resulting in the loss of control of machine: Wet terrain, Hills or extreme angles, Depressions in the ground, Mounds of dirt, Extremely dry grass, Soil type (gravel, sand, clay), Tire pressure
- 2.22 Be aware of what is located at the bottom of slopes. For example, Rocks, Water, Cliffs, Roads and Highways



2.23 Safety warning decals are located on the mower and should always be observed and followed.

- 2.24 Never operate the mower with the discharge chute open.
- 2.25 Prevent Fires—Remove grass and debris from engine compartment and muffler area, before and after operating machine, especially after mowing or mulching in dry conditions.
- 2.26 Do not store machine near open flame or source of ignition, such as a water heater or furnace.
- 2.27 Do not attempt to mount a tire without the proper equipment and experience to perform the job.
- 2.28 Always maintain the correct tire pressure. Do not inflate the tires above the recommended pressure. Never weld or heat a wheel and tire assembly. The heat can cause an increase in air pressure resulting in a tire explosion. Welding can structurally weaken or deform the wheel.
- 2.29 Never operate machine in a closed area where dangerous carbon monoxide fumes can collect.
- 2.30 Let engine cool before storing!!!
- 2.31 Hydraulic hoses and lines can fail due to physical damage, kinks, age, and exposure. Check hoses and lines regularly. Replace damaged hoses and lines.
- 2.32 Park machine on level ground. Never allow untrained personnel to service machine. Understand service procedure before doing work.

SECTION 3: MOWER OPERATION

Never operate the machine with faulty equipment. Always be alert of sudden changes in landscape, as the mower will react differently on slopes or embankments than it will on flat surfaces. Never operate the mower with the discharge chute open. Do not cross terrain, other than grass, with blades turning. This could cause damage to property or bystanders.

- 3.1 Place parking brake in up position
- 3.2 Drive arms must be in the “open” position. While sitting on the machine, each arm is positioned away from the operator, to the right and left. Drive arms will lock into place and must be in this position to start machine.
- 3.3 Put PTO switch in the OFF position.
- 3.4 If your machine has been equipped with a ROPS (Roll Over Protection System) then you must fasten seatbelt.
- 3.5 If machine has not been started recently, engage the choke.
- 3.6 Make sure nothing is under or around machine.
- 3.7 Place key in ignition and turn.
- 3.8 Once machine is started, disengage the choke.



-
- 3.9 Increase RPM by sliding the throttle to fast position, toward the rabbit.
 - 3.10 Owners must become familiar with the controls before operating a zero-turn radius vehicle.
 - 3.11 Start slowly and build your skill level. Have ample practice before using the machine at full capabilities.
 - 3.12 Be comfortable with machine before engaging blades. Know what each component controls before using machine.
 - 3.13 Your mower will perform differently on an incline /decline. Be cautious, slow down, and do not make any sudden jerking movements with control arms. The machine could lose traction on a decline or tip backwards on an incline.
 - 3.14 Once you become comfortable with your Bad Boy Mower you will notice your overall mowing time will decrease.

SECTION 4: MOWER MAINTENANCE

***Check each and provide maintenance when needed.*

DAILY

- 4.1 Check Engine Oil
- 4.2 Check Engine Air Filter
- 4.3 Tire Pressure
- 4.4 Radiator Screen (Screen should be cleaned frequently during heavy use)
- 4.5 Radiator Anti-Freeze
- 4.6 Inspect Blades

EVERY 30 HOURS OF USAGE

- 4.7 Grease Machine

EVERY 100 HOURS OF USAGE

- 4.8 Check All Filters

Check filters once a year if under 100 hours

Check air and fuel filters more often in dry, dusty conditions

EVERY 100 HOURS OF USAGE

- 4.9 Change Hydraulic Fluid
- 4.10 Refer to manufacturer manual for specific information on maintenance schedules.



SECTION 5: MOWER STORAGE

- 5.1 Keep machine from collecting debris by storing in a covered area while not in use.
- 5.2 Fuel can harm your machine if left for more than 30 days without changing.
- 5.3 Disconnect the negative battery cable when machine will be stored for more than 30 days.
- 5.4 Always secure machine properly when transporting machine.
- 5.5 Do not load machine on trailer with blades engaged.
- 5.6 Do not use ramps to load the machine.
- 5.7 Make sure Parking Brake is in “up” position.
- 5.8 In wet conditions tires may spin while loading / unloading. If necessary, wait for dry conditions before loading / unloading.
- 5.9 Make sure mode of transportation is suitable to bear the weight of mower.
- 5.10 Deck height should be set at maximum before attempting to load.
- 5.11 Secure mower with at least two straps capable of securing weight of mower.

SECTION 6: MAINTAINING YOUR MOWER

DECK LEVELING

- 6.1 Put mower on flat, level surface
- 6.2 Check tire air pressure
- 6.3 Put deck on highest setting
- 6.4 Measure all four corners of the deck. Deck level should be the same from front left to right.
- 6.5 Set front corners to 1/8” lower than rear corners. (This is the distance from the bottom of mower deck to the ground).
- 6.6 Use the deck hanger chains to raise or lower entire deck.
- 6.7 Use turnbuckles for raising and lowering the front of the deck.

BRAKE ADJUSTMENT

- 6.8 Locate set screw on top of brake handle knob
- 6.9 Turn knob on top of brake lever clockwise to loosen brake cable.
- 6.10 DO NOT OVER ADJUST – CABLE BREAKAGE MAY OCCUR.

DRIVE ARM ADJUSTMENT

- 6.11 Due to the sensitive nature of drive arm adjustments visit an Authorized Bad Boy Dealer and they'll be happy to help you with this.



STANDARD HYDRAULIC/ OIL/FILTER SERVICING PROCEDURE

- 6.12 On all Bad Boy ZT Models, the hydraulic oil filters need to be initially changed when the mower has reached 50 hours of usage. Each subsequent changing of the hydraulic oil and filters needs to occur every 250 hours or once a year. The required hydraulic oil is 20W50 motor oil. On all Bad Boy commercial models, the hydraulic oil and filters need to be initially changed when mower has reached 50 hours of usage. Each subsequent changing of the hydraulic oil and filters needs to occur 500 hours or once a year. The required hydraulic oil is 20W50 motor oil.

SECTION 7: TROUBLESHOOTING

- 7.1 **Q:** *How do I sharpen my blades?*
7.1 **A:** We recommend that sharpening be done by an authorized Bad Boy dealer.
- 7.2 **Q:** *How should I prepare my Bad Boy Mower for the off season?*
7.2 **A:** When preparing for any down period of 90 days or more, the most important thing is proper fuel preparation. Use a fuel stabilizer in your final tank of fuel or run dry. Choke and repeatedly crank engine until it will not start. This will decrease the potential for varnish or gum deposits forming in your system. Also, make sure your machine has plenty of antifreeze. You can get an antifreeze tester at your local hardware store to ensure your machine is ready for winter.
- 7.3 **Q:** *How do I prevent an uneven cutting pattern and increase the quality of cut?*
7.3 **A:** Check tire pressure, check blade sharpness (replace blades or sharpen at least once per year or when needed), make sure blades are tightened properly, check spring and belt tension, check the underside of the deck to ensure the mower deck is free of grass build-up and debris, make sure your machine is at full throttle, and vary your mowing pattern each time you cut your grass.
- 7.4 **Q:** *What should I do if my mower won't start?*
7.4 **A:** Check battery charge and connection (grounds), check your fuel (make sure fuel is less than 30 days old and contains no water), make sure your spark plug is in good condition and spark plug wire is attached, and make sure air filter is clean (a dirty filter makes it more difficult for the engine to draw air). Check for broken wires or bad connections.
- 7.5 **Q:** *What should I do if the blades won't engage?*
7.5 **A:** Make sure the safety switch is plugged in on the bottom of seat. Check the underside of the PTO engager to ensure the plug is secure at switch.
- 7.6 **Q:** *What should I do if mower arms are in neutral position and mower still creeps?*
7.6 **A:** Contact authorized Bad Boy Mower Dealer.



7.7 **Q: What is the difference between a liquid-cooled engine and an air cooled-engine?**

7.7 **A:** A liquid-cooled engine gives you a constant operating temperature which will increase fuel economy, decrease oil breakdown, and may last up to 50% longer. In addition, a cooler engine also means a cooler operator because the cooling fan draws hot air through the radiator, past the engine and away from the operator. An air-cooled engine is much simpler with fewer working parts which means a lower purchase price and less maintenance

7.8 **Q: What type of fuel is recommended for my mower?**

7.8 **A:** We recommend that you use a name brand fuel to ensure quality. Use fuel with an octane rating near 87. Higher octane fuels offer no benefit.

7.9 **Q: Does the Bad Boy warranty cover multiple owners?**

7.9 **A:** The warranty applies only the original registered owner and is non-transferable.

7.10 **Q: Do you offer touch-up paint for your mowers?**

7.10 **A:** Touch-up paint is available. Contact your local dealer for more information.

7.11 **Q: On average, how long should a Bad Boy mower last?**

7.11 **A:** Maintenance, mowing conditions, temperature, and hours of operations play a huge role in the life of a mower. However, Bad Boy Mowers are without a doubt the strongest, most durable zero-turn mower available. With proper care, your Bad Boy will deliver many years of reliability, productivity, and comfort.

7.12 **Q: How durable is the electric deck lift?**

7.12 **A:** The actuator which controls the deck height is designed for moving loads of up to 1000 pounds and has a static holding capability which exceeds 3,000 pounds. Our ¼" deck weighs approximately 250 pounds which is only 25% of working capability.

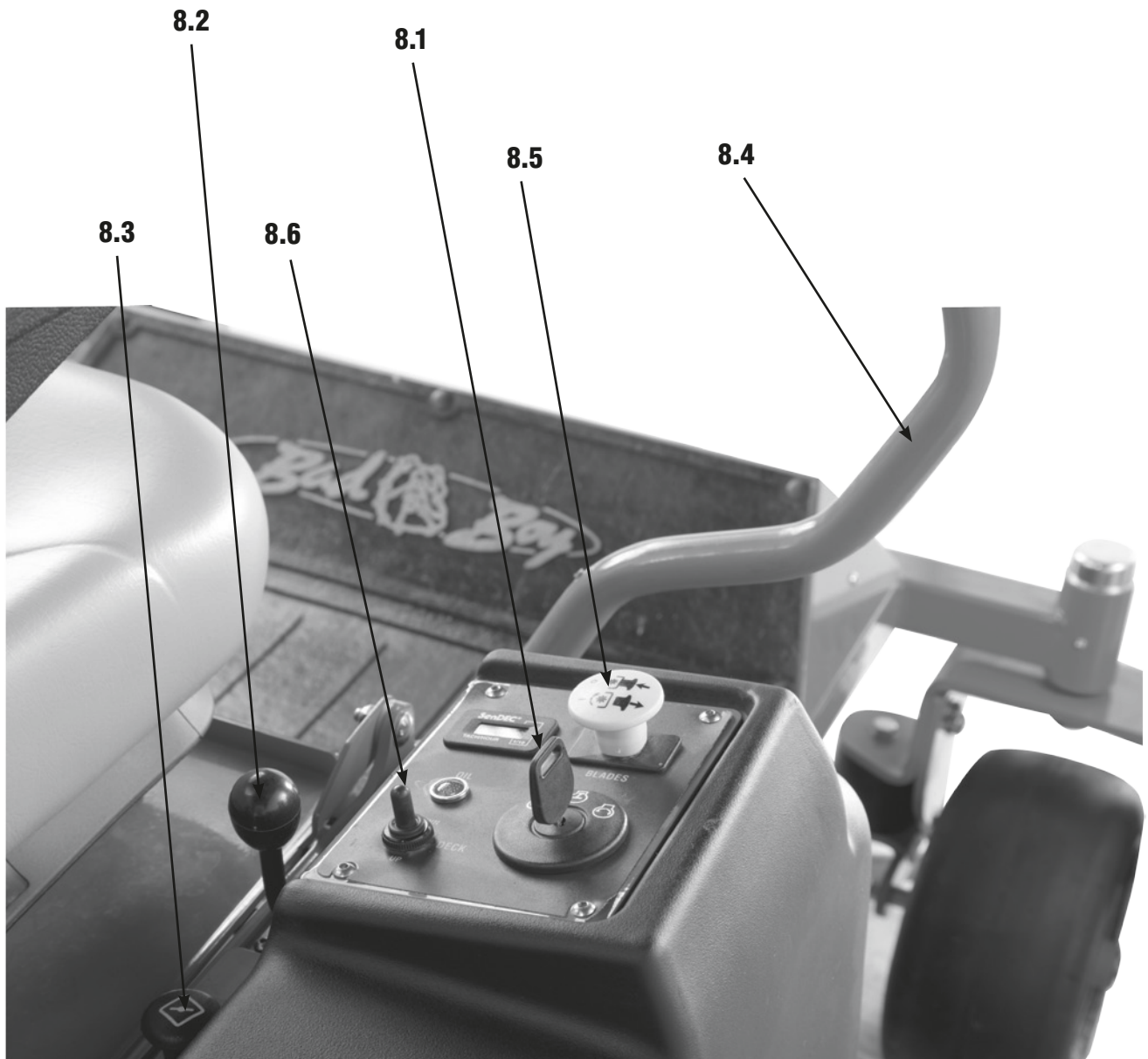
SECTION 8: CONTROLS

8.1 **Ignition Switch**—Bad Boy Mowers have a three position ignition switch: off, run, and start. With key inserted, rotate it clockwise to START position and release key when engine starts, and switch will automatically return to the RUN position.

8.2 **Throttle Control**—A cable is connected to the engine throttle for controlling engine speed. Move lever forward to increase engine rpm, move lever backward to decrease engine rpm.



- 8.3 **Choke Control**—A cable is linked to manually operate the engine choke. When the lever is in the down position, the choke is in the off (run) position. When the lever is pulled up, the choke is in the on (start) position. Do not operate the machine in the on (start) position. The choke lever is behind the throttle control.
- 8.4 **Control Levers**—These levers control the mower's speed, direction, and neutral lock. These levers are used to steer, accelerate, decelerate and change direction. (Drive Arms)
- 8.5 **Blade Engage Switch**—This switch engages the blades. Pull the switch up to engage the blades and push the switch down to disengage the blades.
- 8.6 **Deck Lift Control**—The deck lift switch is used to raise and lower the deck. Pull the switch backwards to raise the deck and push the switch forward to lower the deck.





SECTION 9: MOVING INOPERABLE MOWER

- 9.1 If it is necessary to move mower when the engine is inoperable, the hydraulic drive pumps are equipped with bypass valves. Before moving the mower, turn the bypass valves counter-clockwise one-half to one revolution. The valve stems on each pump are located near the top and are identified as a hex stud.
- 9.2 Do not tow machine. Move it by hand or use a winch to load on a trailer for transporting.
- 9.3 **ATTENTION:** RETURN BYPASS VALVES TO OPERATING POSITION BEFORE RUNNING MOWER FOLLOWING REPAIRS.
- 9.4 ZT Models are equipped with two neutral engage/disengage arms, located at the rear of the mower protruding from the frame and under the muffler. By pulling the arms out the mower can be put in a neutral position. Return the arms to the “forward position for normal operation.
- 9.5 Your Bad Boy Mower Weighs: **ZT SERIES:** **862—871 lbs**

**** Weights fluctuate with the addition of accessories.*

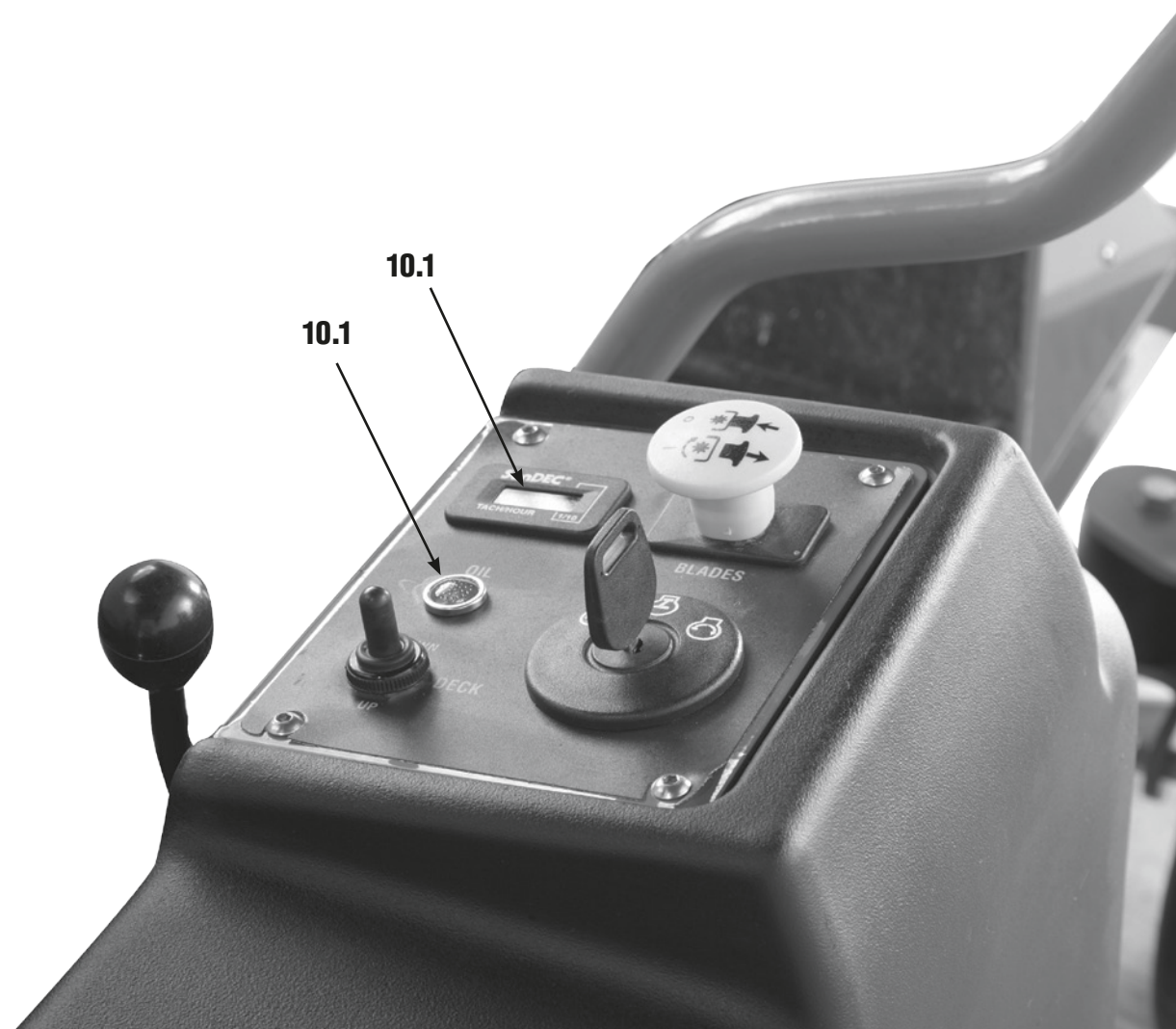
- 9.6 As you can see by the weights of the machines, you shouldn't ever try to push or pull a Bad Boy Mower by hand. This could cause serious bodily injury.
- 9.7 Hopefully, you'll never need to use this section of the manual. However, if you do, use extreme caution when moving machine!



SECTION 10: INSTRUMENTATION

- 10.1 **Electronic Hour Meter**—Registers Hour increments up to 9,999.9 total hours. This meter records the cumulative time the engine is running.
- 10.2 **Oil Pressure Light**—This light comes on upon placing the ignition switch in the RUN position and stays lit until the engine is running and a safe oil pressure is built up. If the light comes on during operation, shut the engine off immediately and locate the problem or contact authorized Bad Boy Mower dealer.
- 10.3 **High Temperature Buzzer**—Liquid-Cooled models are equipped with a buzzer that will sound in the event of high water temperature.

IF THIS HAPPENS SHUT ENGINE OFF IMMEDIATELY! Allow engine to cool. Check for obstructions in or around radiator or contact your local Bad Boy Mower Authorized Dealer.





SECTION 11: MOWER BLADE MAINTENANCE

- 11.1 Check mower blades after each use. This is essential for maintaining well-groomed turf. Keep the blades sharp. If a dull blade is used for cutting, the grass will tear rather than cut. This could damage the grass leaving a brown frayed top on the grass within a few hours. A dull blade will also require more power from the engine.
- 11.2 NEVER attempt to straighten a bent blade by heating. NEVER attempt to weld a cracked blade. The blades can break and cause serious injury or death.
- 11.3 NEVER work with blades while engine is running or deck clutch is engaged.
- 11.4 ALWAYS place deck clutch in DISENGAGE position while performing maintenance.
- 11.5 Use blocks when you MUST work under mower.
- 11.6 ALWAYS wear thick gloves when handling blades.
- 11.7 ALWAYS check for blade damage if mower strikes rock, branch, or other objects that could potentially damage the blade. **(REMEMBER: NEVER CHECK BLADE WHILE ENGINE IS ON! NEVER CHECK BLADES WHILE BLADES ARE ENGAGED!)**
- 11.8 Cut 1/3 of the height GRASS BLADE. Cutting more than that is not recommended unless grass is sparse, or it is late fall when grass grows slowly.
- 11.9 Alternate mowing direction to keep grass standing straight. This also helps disperse clippings which enhance decomposition and fertilization.
- 11.10 Mow in intervals. Usually, you should mow every four days. However, grass grows at different rates at different times of the year. Maintain the same cutting height and mow often in early spring. As grass growth slows in the summer, mow less frequently.
- 11.11 Mowing too fast will tend to leave grass stems standing, if this occurs, slow down your mowing speed. (Oftentimes, leaving streaks depends on the composition of the grass being cut, the sharpness of mower blades, and the moisture of the grass).

SECTION 12: GREASING THE BEARINGS

- 12.1 Park the machine on a level surface and disengage the blade control switch.
- 12.2 Move the motion control levers outward to the neutral position, engage parking brake, stop the engine, remove the key, and wait for all moving parts to stop before leaving the operating position.
- 12.3 Grease Type: NLGI grade #2 multi-purpose gun grease. Grease the front cater pivots.
- 12.4 Clean the grease fittings with a cloth. Scrape any paint off the front of the fitting(s).
- 12.5 Connect a grease gun to each fitting. Pump grease in fittings until greases begins to seep out of the bearings. Wipe up excess grease.
- 12.6 Total Number of fittings for most models is 14.



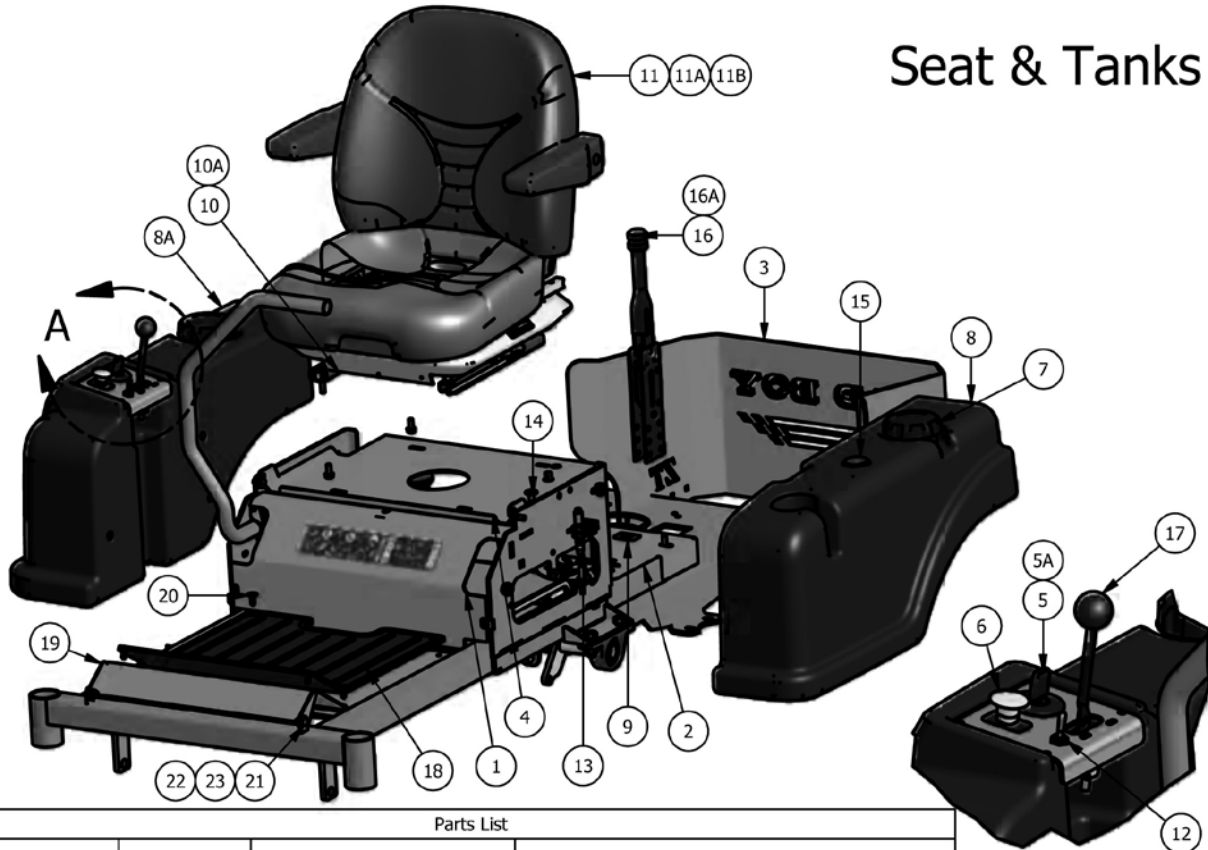
PARTS MANUAL FOR YOUR

CZT Model

Zero Turn Mower



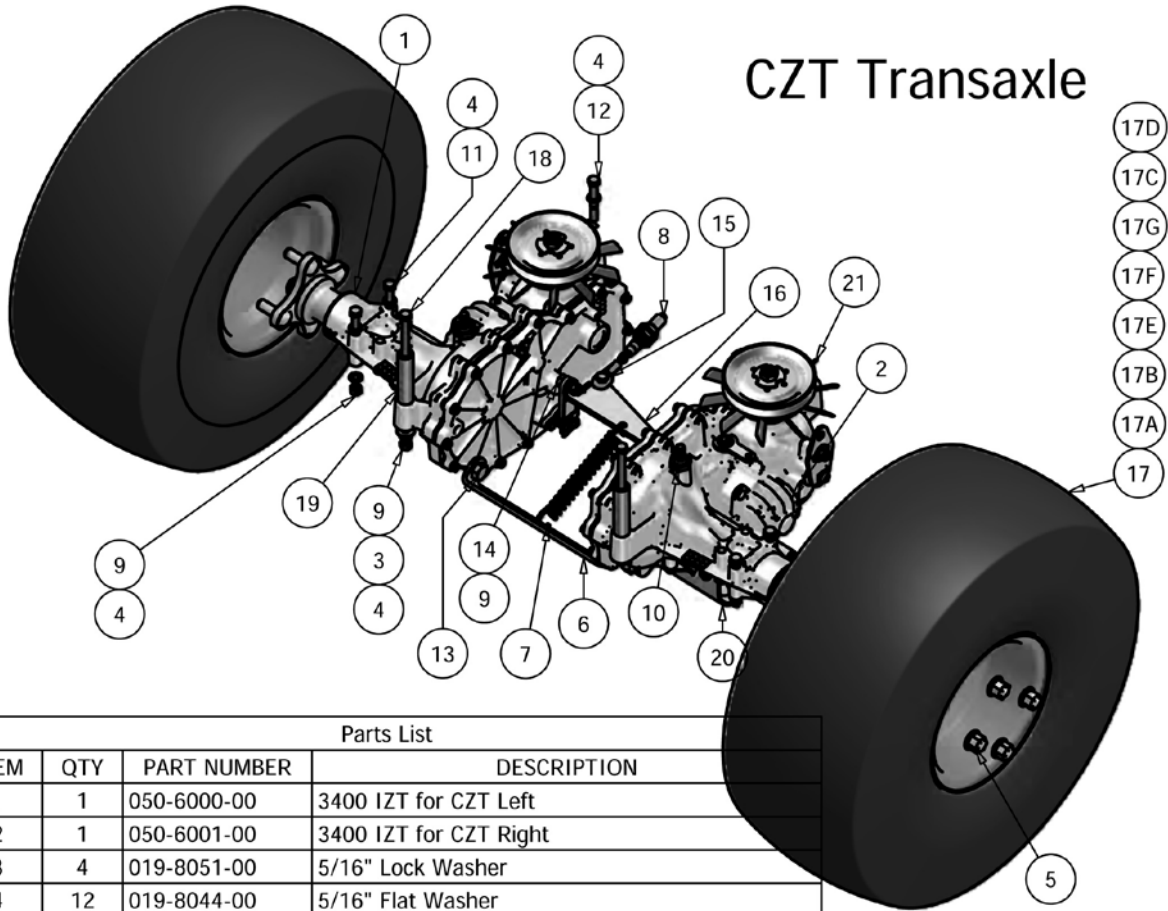
Seat & Tanks



DETAIL A

Parts List

ITEM	QTY	PART NUMBER	DESCRIPTION
1	1	014-3410-00	Cooler Cover
2	1	026-0052-00	Fan Cover
3	1	026-0053-00	ZT Rear Plate
4	1	026-1010-00	ZT Seat Plate
5	1	042-9000-00	Ignition Key
5A	1	077-8076-00	Ignition
6	1	056-8058-00	PTO Engager
7	2	066-8076-00	Fuel Cap
8	1	067-7001-00	Left Tank for all CZT and 60" ZT
8A	1	067-7000-00	Right Tank for all CZT and 60" ZT
9	1	083-4013-00	Tachometer
10	1	071-8061-00	Seat Safety Switch
10A	1	036-5300-00	Seat Safety Switch Pigtail
11	1	071-2010-00	Seat Assembly for all CZT and 60" ZT
11A	1	071-8090-00	Seat Assembly for 50" 26HP ZT
11B	1	071-3000-00	Suspension Seat (Upgrade, and Shown)
12	1	078-8077-00	Deck Lift
13	1	064-8055-00	Brake Cable
14	1	054-8017-00	Choke
15	1	067-4025-00	Fuel Gauge
16	1	069-8054-00	Hand Brake
16A	1	077-8073-00	Safety Switch
17	1	055-8020-00	Throttle
18	1	081-2010-00	Zt Floorboard Mat
19	1	079-3410-00	ZT Floor Panel
20	6	040-6080-00	Ratchet Fastener-Floorboard
21	2	019-8040-00	1/4" x 3/4" Carriage Bolt
22	3	013-8073-00	1/4" Nylock Nut
23	2	019-6042-00	.360 ID Plastic Washer

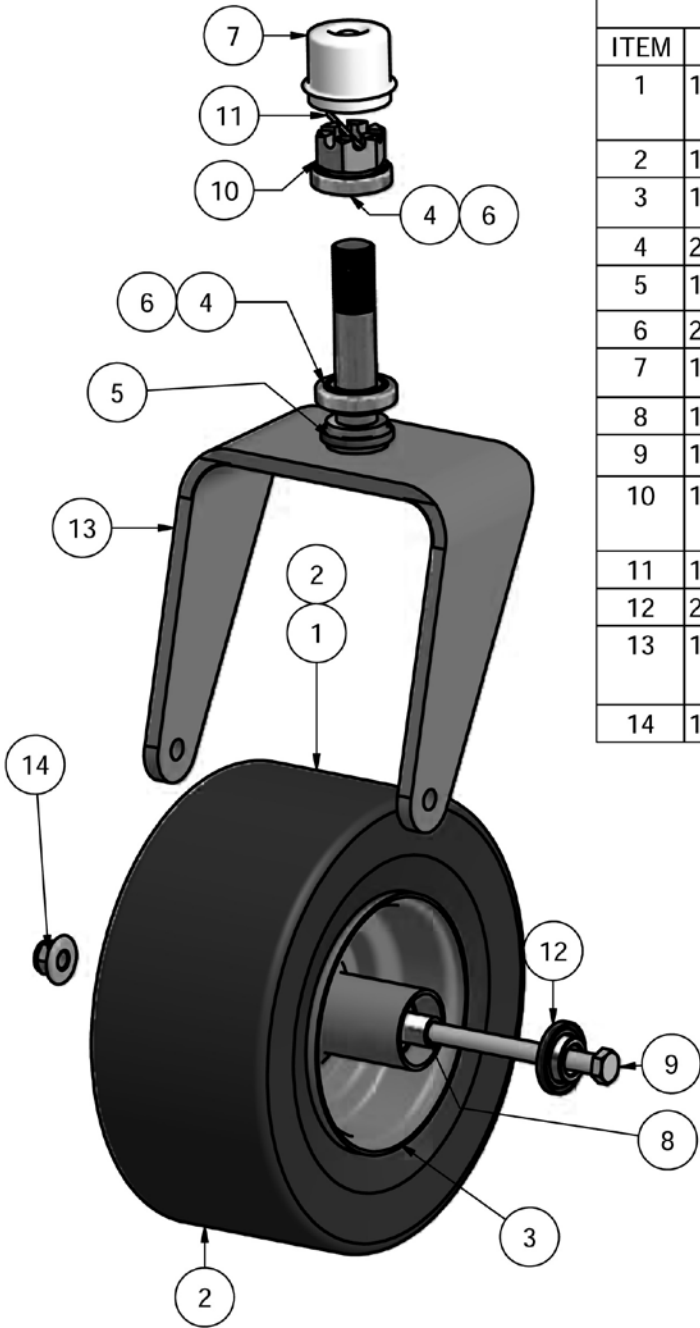


Parts List

ITEM	QTY	PART NUMBER	DESCRIPTION
1	1	050-6000-00	3400 IZT for CZT Left
2	1	050-6001-00	3400 IZT for CZT Right
3	4	019-8051-00	5/16" Lock Washer
4	12	019-8044-00	5/16" Flat Washer
5	8	013-3000-00	1/2" Lug Nut
6	1	028-4801-00	Transaxle Support
7	1	034-9000-00	Spring
8	1	064-8055-00	Brake Cable
9	9	013-8043-00	5/16" Hex Nut
10	2	024-1200-00	45 Degree Fitting
11	4	018-4701-00	5/16" x 3" Hex Bolt
12	2	018-5344-00	5/16" x 2 1/2" Hex Bolt
13	2	018-3000-00	3/8" x 2" Hex Bolt
14	2	018-4007-00	1/4" x 1" Hex Bolt
15	1	018-8052-00	1/4" x 3/4" Hex Bolt
16	1	039-0053-00	Crossover Brake Bracket
17	2	022-5460-00	23 x 10.50-12 Tire & Wheel (60" Only)
17A	2	022-5351-00	23 x 10.50-12 Tire
17B	2	022-7061-00	23 x 10.50-12 Wheel (60" Only)
17C	2	022-5352-00	23 x 10.50-12 Tire & Wheel (50" Only)
17D	2	022-7062-00	23 X 10.5-12 Wheel (50" Only)
17E	2	022-3000-00	23 x 8.50-12 Tire & Wheel (42" Only)
17F	2	022-3025-00	23 x 8.50-12 Tire (42" Only)
17G	2	022-3026-00	23 x 8.50-12 Wheel (42" Only)
18	2	018-5355-00	5/16" x 6" Bolt
19	2	025-5340-00	3 1/4" Transaxle Spacer
20	2	063-1050-00	Transaxle Filter
21	2	050-2075-00	Fan/Pulley Kit



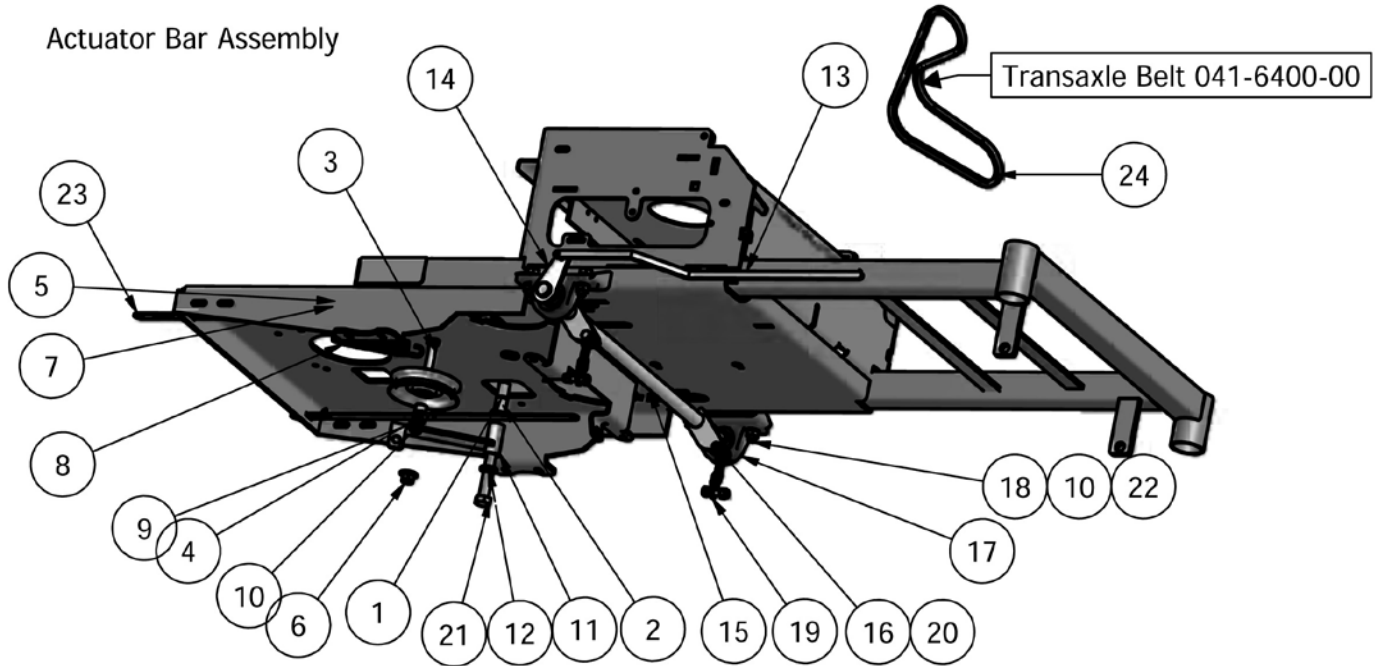
Front Wheel & Spindle



Parts List		
ITEM	PART NUMBER	DESCRIPTION
1	022-2006-00	13 x 6.5- 6" Tire and Wheel Assembly
2	022-5347-00	13 x 6.5-6" Tire ONLY
3	022-7002-00	6" Wheel ONLY
4	010-7001-00	Bearing
5	012-7003-00	Seal
6	011-7002-00	Race
7	014-7005-00	Dust Cover
8	025-5202-00	Wheel Spacer
9	018-7010-00	1/2" x 9" Bolt
10	013-7004-00	1" Fine Threaded Castle Nut
11	020-7022-00	Cotter Pin
12	022-7009-00	Wheel Bearing
13	023-7913-00	Front Fork with Spindle
14	013-8050-00	1/2-13 Nylon Flange Nut



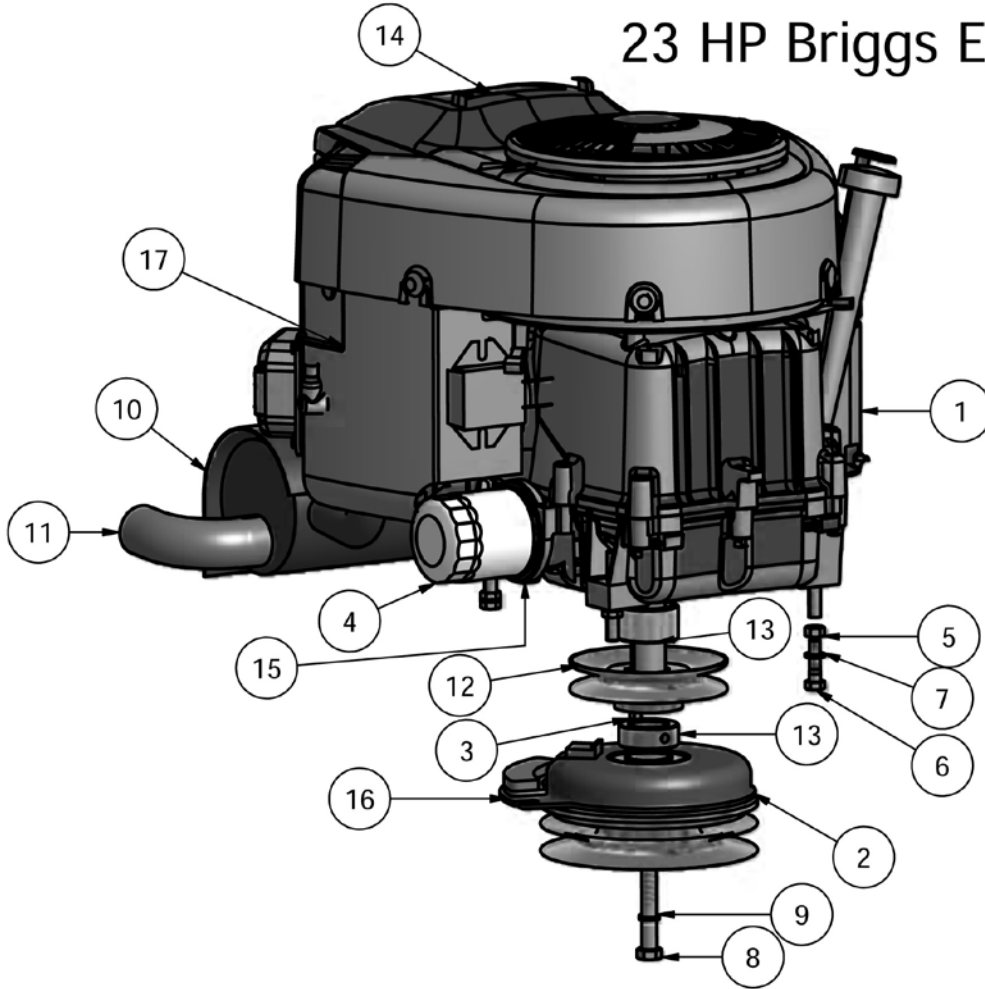
Actuator Bar Assembly



Parts List			
ITEM	QTY	PART NUMBER	DESCRIPTION
1	2	032-6033-00	Bronze Bushing
2	1	024-6034-00	Grease Fitting
3	1	018-7016-00	1/2-13 x 3" Bolt
4	1	025-7036-00	1/2" x 1/2" Spacer
5	1	018-2004-00	Spring Tensioner
6	1	013-8050-00	1/2" Flange Lock Nut
7	2	013-7018-00	1/2" Hex Jam Nut
8	1	034-5039-00	Pump Idler Spring
9	1	033-6001-00	4 3/4" Idler Pulley
10	5	019-5007-00	1/2" Lock Washer
11	1	039-5944-00	Pump Idler Bracket
12	2	019-6017-00	5/8" Nylon Washer
13	1	028-2502-00	Height Indicator Bar
14	1	031-7000-00	Height Indicator Lever
15	1	028-4020-00	Actuator Bar
16	4	013-5041-00	3/8" Nylock Nut
17	2	017-7008-00	Pillow Block Bearing
18	4	018-5006-00	1/2" x 1 1/2" Hex Bolt
19	2	047-6050-00	ZT Deck Hanger Assembly
20	4	018-6047-00	3/8" x 1 1/2" Bolt
21	1	018-5311-00	5/8" x 4" Bolt
22	4	013-6037-00	1/2" Nylock Hex Nut
23	2	031-0052-00	Transaxle Neutral Lever
24	1	041-6400-00	Transaxle Pump Belt



23 HP Briggs Engine

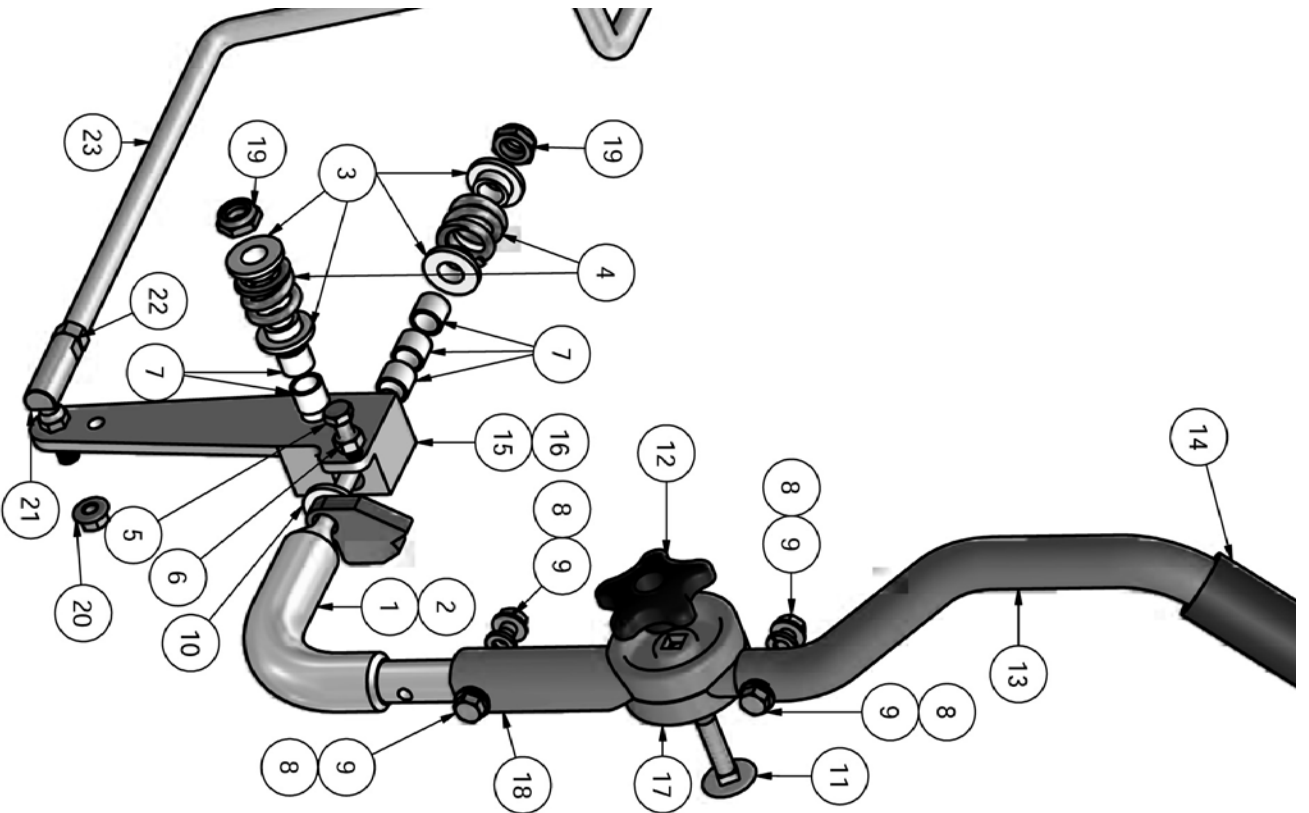


Parts List

ITEM	QTY	PART NUMBER	DESCRIPTION
1	1	015-0023-00	23 HP Briggs Vanguard
2	1	070-1000-00	Clutch
3	1	042-6030-00	1/4" x 1" Key
4	1	063-2004-00	23 HP Briggs Oil Filter
5	3	013-8043-00	5/16" Hex Nut
6	3	018-5025-00	5/16" x 1 1/4" Hex Bolt
7	3	019-8051-00	5/16" Lock Washer
8	1	018-5300-00	7/16" x 2 1/2" Hex Bolt
9	2	019-8051-00	5/16" Lock Washer
10	1	015-0033-00	23 HP Exhaust Briggs
11	1	015-5400-00	Exhaust Extension
12	1	033-5034-00	4 3/4" Motor Pulley
13	2	025-5000-00	1 1/8" Pulley Spacer
14	1	063-8050-00	23 HP Briggs Air Filter
15	1	015-5401-00	Oil Drain Valve
16	1	070-2000-00	Clutch Pigtail
17	1	063-6000-00	Fuel Filter



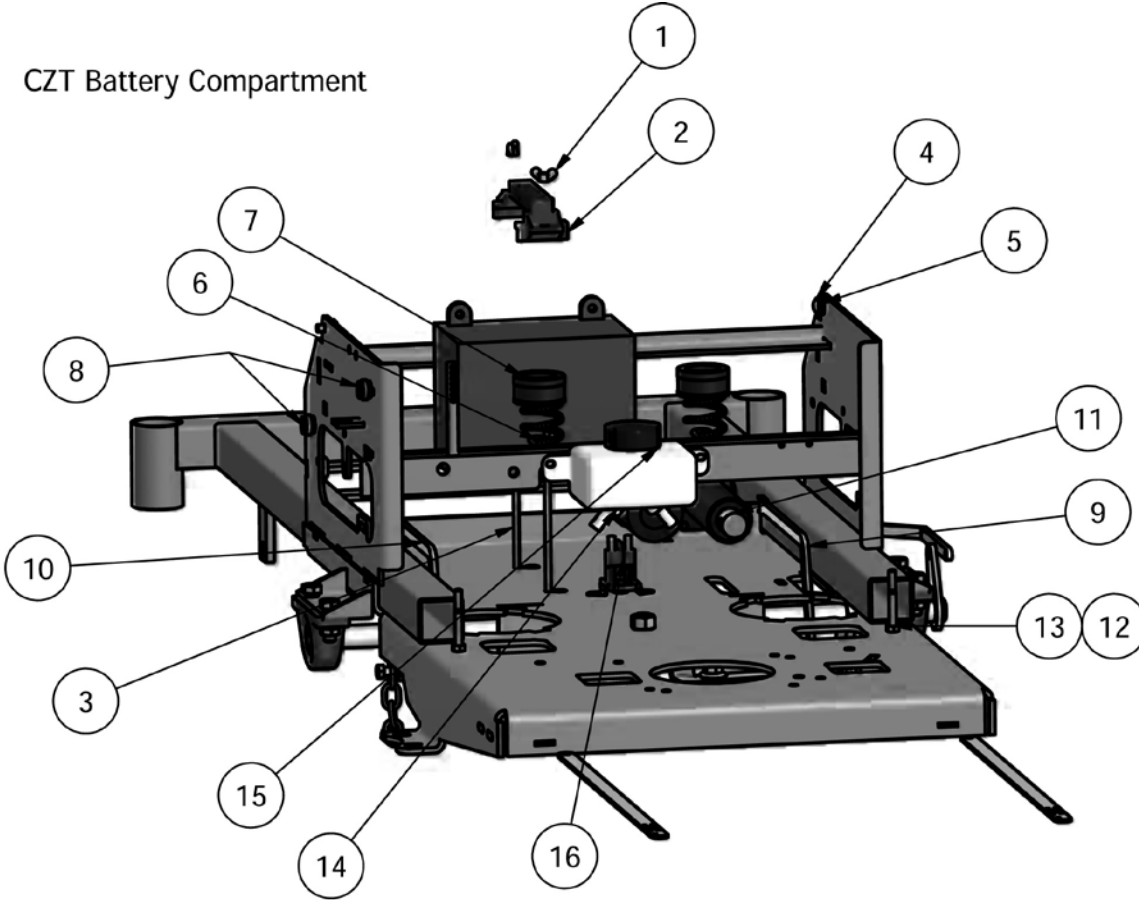
CZT Adjustable Drive Arm



Parts List			
ITEM	QTY	PART NUMBER	DESCRIPTION
1	2	031-9025-00	Steering Arm Base-Right
2	1	031-9020-00	Steering Arm Base-Left
3	4	019-8027-00	.515 ID Nylon Shoulder Washer
4	2	034-8025-00	Drive Lever Spring
5	1	018-8063-00	5/16" x 3/4" Hex Bolt
6	1	013-8043-00	5/16" Nut
7	5	032-8024-00	.507 ID Nylon Bushing
8	4	019-8051-00	5/16" Lock Washer
9	4	018-2007-00	5/16" x 1/2" Flange Bolt
10	1	019-6017-00	.635 ID Plastic Washer
11	1	018-5043-00	3/8" x 1-1/4" Carriage Bolt
12	1	045-5000-00	Black Knob for Adjustable Steering Arm
13	1	031-9010-00	Upper Steering Arm Tubing-Adjustable
14	1	069-4010-00	Black Steering Grips
15	1	027-9000-00	Drive Arm Lever Housing (Left)
16	1	027-9001-00	Drive Arm Lever Housing (Right)
17	1	031-9015-00	Lower Adjuster for Steering Arm
18	1	031-9016-00	Upper Adjuster for Steering Arm
19	2	018-4010-00	1/2" Nyloncock Nut (1/2 Jam)
20	1	013-9002-00	5/16" Flange Nut
21	1	099-2009-00	3/8-24 Ball Joint
22	2	013-6051-00	3/8" Fine Threaded Jam Nut
23	1	035-5400-00	Transaxle Drive Rod (Right)
24	1	099-6046-00	3/8-24 Ball joint (female/male)



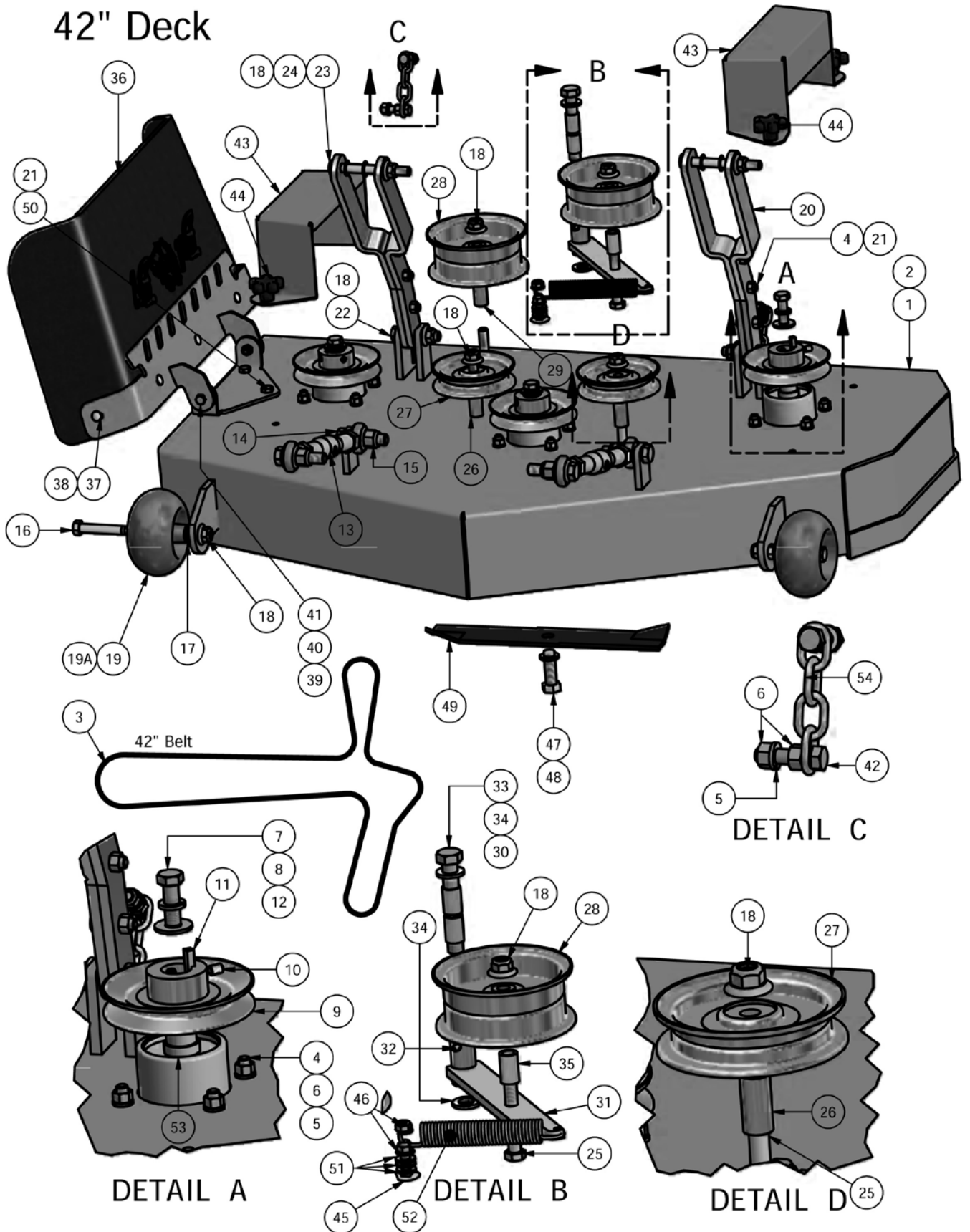
CZT Battery Compartment



Battery / Actuator			
ITEM	QTY	PART NUMBER	DESCRIPTION
1	2	013-8051-00	1/4" Wing Nut
2	1	043-8929-00	Battery Holder
3	2	018-8050-00	Stove Bolt
4	2	018-8062-00	5/16" x 3/4" Carriage bolt
5	2	019-6042-00	.360 ID Plastic Washer
6	2	034-8045-00	Seat Spring
7	2	014-8047-00	Seat Bumper
8	6	025-2000-00	1/2" Tank Spacer
9	1	035-5400-00	Transaxle Drive Rod (Right)
10	1	035-5401-00	Transaxle Drive Rod (Left)
11	1	035-7033-00	Actuator ZT
12	2	018-4701-00	5/16" x 3" Hex Bolt
13	2	013-8043-00	5/16" Nut
14	1	067-8080-00	ZT Hydraulic Tank
15	1	066-5050-00	ZT Hydraulic Tank Cap
16	1	108-5349-00	ZT Solenoid



42" Deck

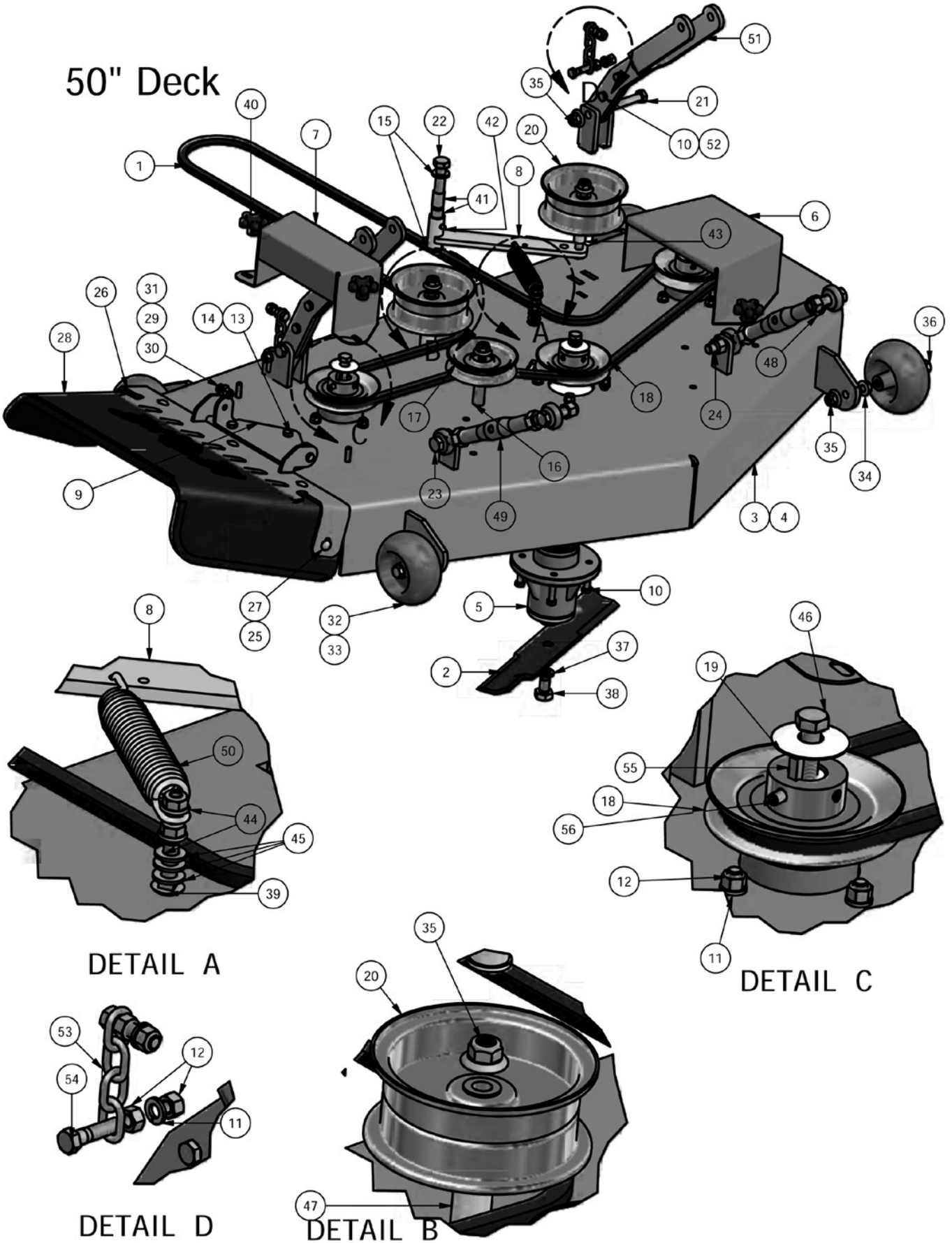




Parts List			
ITEM	QTY	PART NUMBER	DESCRIPTION
1	1	060-4200-00	42 Commercial ZT Deck
2	1	060-4200-98	42 Commercial ZT Deck-Complete with Spindles
3	1	041-0120-00	42" Deck Belt-B120
4	18	018-5040-00	3/8" x 1 1/4" Hex Bolt
5	16	019-5037-00	3/8" Lock Washer
6	23	013-6014-00	3/8" Hex Nut
7	3	018-5600-00	1/2" x 1 1/2" Hex Bolt
8	3	019-5007-00	1/2" Lock Washer
9	3	033-6003-00	5" Deck Pulley
10	3	030-6029-00	3/8" Set Screw
11	3	042-6030-00	1/4" x 1" Key
12	3	019-6020-00	5/8" Belleville Washer #K2000-G-150
13	2	048-6056-00	Turnbuckle
14	4	018-6059-00	5/8" x 2 1/2" Hex Bolt
15	4	013-7021-00	5/8 Std NC Nylock Nut
16	4	018-5019-00	1/2" x 4" Bolt (Grade 8)
17	4	013-5300-00	1/2" Flange Nut
18	12	013-8050-00	1/2-13 Nylon Flange Nut-Orange
19	4	022-5234-00	Anti-Scalp Rollers
19A	4	022-5234-98	Deck Wheel Complete Assembly
20	2	021-6000-00	Deck Support Arm
21	6	013-6014-00	3/8" Hex Nut
22	2	018-6036-00	1/2" x 2 1/2" Hex Bolt
23	2	018-7050-00	1/2" x 4 1/2" Bolt
24	4	019-5010-00	1/2" Brass Washer
25	3	018-2018-00	1/2 x 3 1/2 Flange Bolt Grade 8
26	2	025-5338-00	Pup Pulley Spacer
27	2	033-6001-00	4 3/4" Idler Pulley
28	2	033-5001-00	5 3/4" Deck Idler Pulley
29	1	025-5339-00	1 3/4" Pulley Spacer
30	2	032-6033-00	5/8" ID x 1 1/8" Brass Bushing
31	1	039-6936-00	Deck Idler Arm
32	1	024-6034-00	1/4" Drive in Grease Fitting
33	1	018-5311-00	5/8" x 4" Hex Bolt
34	2	019-6017-00	.635 ID Plastic Washer
35	1	025-5337-00	1.25" Pulley Spacer
36	1	210-6004-10	Rubber Side Discharge
37	5	019-8040-00	1/4" x 34" Carriage Bolt
38	5	013-9001-00	1/4-20 Hex Flange Nuts Zinc w/Serrations
39	2	013-5041-00	3/8" Nylock Nut
40	2	019-6042-00	.360 ID Plastic Washer
41	2	018-5015-00	5/16" x 1" Hex Bolt
42	4	018-6012-00	3/8" x 1 1/2" Hex Bolt
43	2	014-4801-00	48" Spindle Cover
44	4	045-6043-00	5/16" Knob
45	1	018-4706-00	3/8 x 1-1/2 Carriage Bolt
46	2	013-5202-00	3/8" Nylock Flange Nut
47	3	018-6020-00	5/8" x 1 1/2" Hex Bolt
48	3	019-4807-00	5/8" Lock Washer
49	3	038-4221-00	42 inch High Lift Fusion Blade
50	3	018-5250-00	3/8" x 3/4" Hex Bolt
51	3	019-5029-00	3/8" Flat Washer
52	1	034-2008-00	Deck Idler Spring
53	3	037-6015-00	Spindle
54	2	047-6050-00	Deck Hanger Assembly



50" Deck

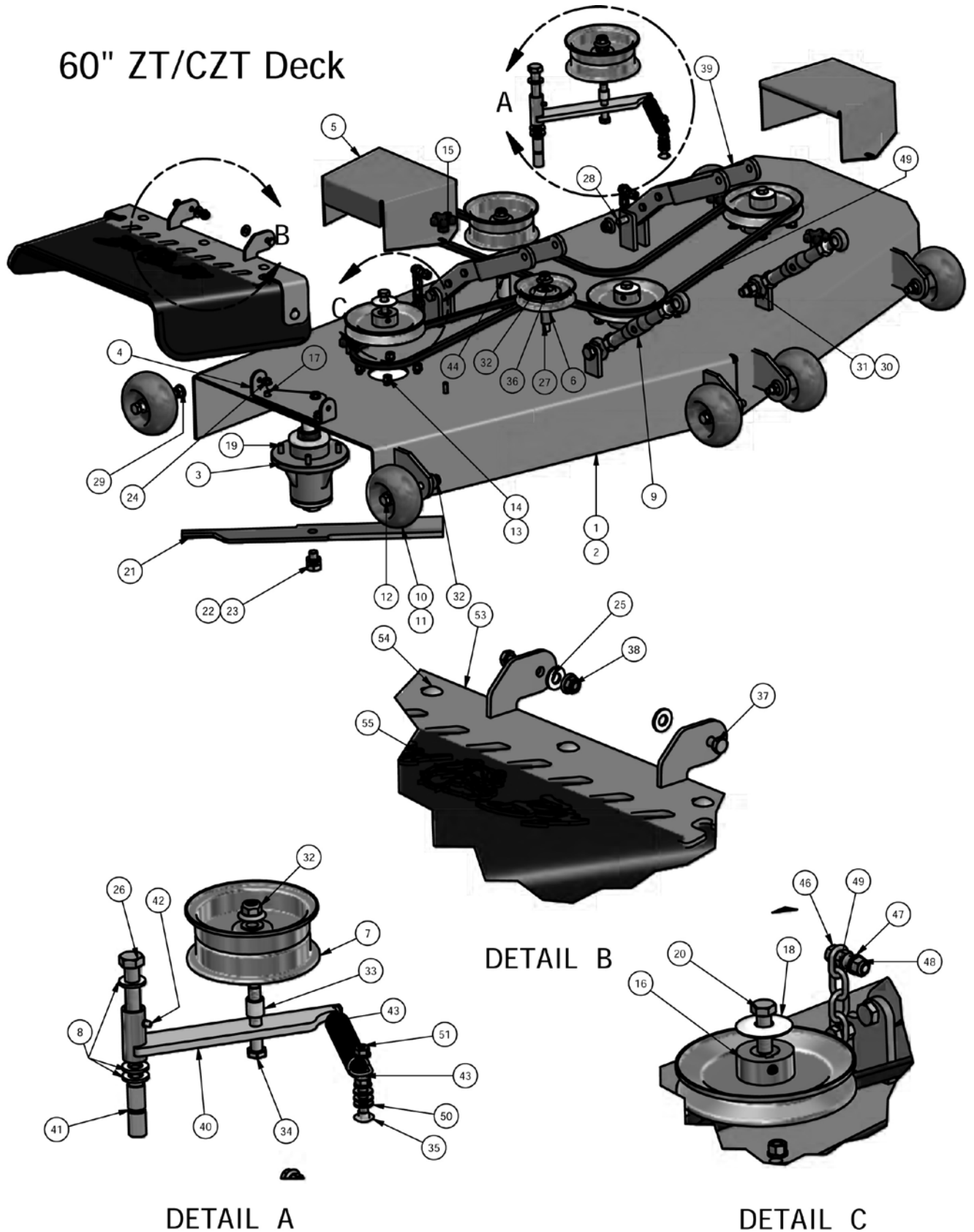




Parts List			
ITEM	QTY	PART NUMBER	DESCRIPTION
1	1	041-1470-00	50" Deck Belt
2	3	038-5350-00	50" Fusion Blade
3	1	060-4800-00	50" Deck
4	1	060-4800-00	50" Deck Complete
5	3	037-6015-00	Spindle
6	1	014-6004-00	Spindle Cover
7	1	014-4801-00	Spindle Cover (Smaller)
8	1	039-6936-00	Deck Idler Arm
9	1	206-6017-00	Discharge Chute Hanger (deck mounted)
10	18	018-5040-00	3/8" x 1 1/4" Hex Bolt
11	16	019-5037-00	3/8" Lock Washer
12	20	013-6014-00	3/8" Hex Nut
13	3	018-5250-00	3/8" x 3/4" Hex Bolt
14	3	013-5201-00	3/8" Flange Nut
15	2	019-6017-00	.635 ID Plastic Washer
16	1	025-5338-00	Pup Pulley Spacer
17	1	033-6001-00	4 3/4" Idler Pulley
18	3	033-6003-00	5" Deck Pulley
19	3	019-6019-00	Cup Washer
20	2	033-5001-00	5 3/4" Deck Idler Pulley
21	2	018-6036-00	1/2" x 2 1/2" Hex Bolt
22	1	018-5311-00	5/8" x 4" Hex Bolt
23	4	018-6059-00	5/8" x 2 1/2" Hex Bolt
24	4	013-7021-00	5/8" Nylock Nut
25	5	013-9002-00	5/16" Flange Nut
26	1	039-4864-00	60" Upper Hanger Plate
27	5	018-4703-00	5/16" x 1 1/4" Carriage Bolt
28	1	210-6005-00	Rubber Discharge Chute
29	2	019-6042-00	.360 ID Plastic Washer
30	2	018-5015-00	5/16" x 1" Hex Bolt
31	2	013-5041-00	3/8 Nylock Nut
32	4	022-5234-00	Anti-Scalp Rollers
33	4	022-5234-98	Deck Wheel Assembly
34	4	013-5300-00	1/2" Flange Nut
35	9	013-8050-00	1/2-13 Nylon Flange Nut-Orange
36	4	018-5019-00	1/2" x 4" Bolt (Grade 8)
37	3	019-4807-00	5/8" Lock Washer
38	3	018-6020-00	Heavy Hex Bolt
39	1	018-5043-00	3/8" x 1 1/4" Carriage Bolt
40	4	045-6043-00	5/16" Knob
41	2	032-6033-00	5/8" x 1 1/8" Brass Bushing
42	1	024-6034-00	1/4" Drive in Grease Fitting
43	1	025-5337-00	1 1/4" Pulley Spacer
44	2	013-5202-00	3/8" Nylock Flange Nut
45	3	019-5029-00	3/8" Flat Washer
46	3	018-6019-00	1/2"-20 x 1 1/2 - Grade 5 Fine Thread Bolt
47	1	025-5339-00	1 3/4" Pulley Spacer
48	4	013-6058-00	3/4" Left Handed Nut
49	2	048-6056-00	Turnbuckle
50	1	034-9035-00	Deck Idler Spring
51	2	031-6000-00	Deck Support Arm
52	6	013-6014-00	3/8" Hex Nut
53	2	047-6050-00	ZT Deck Hanger Chain Assembly
54	4	018-6012-00	3/8" x 1 1/2" Hex Bolt
55	1	042-6030-00	1/4" x 1" Key
56	1	030-6054-00	Set Screw



60" ZT/CZT Deck



DETAIL A

DETAIL B

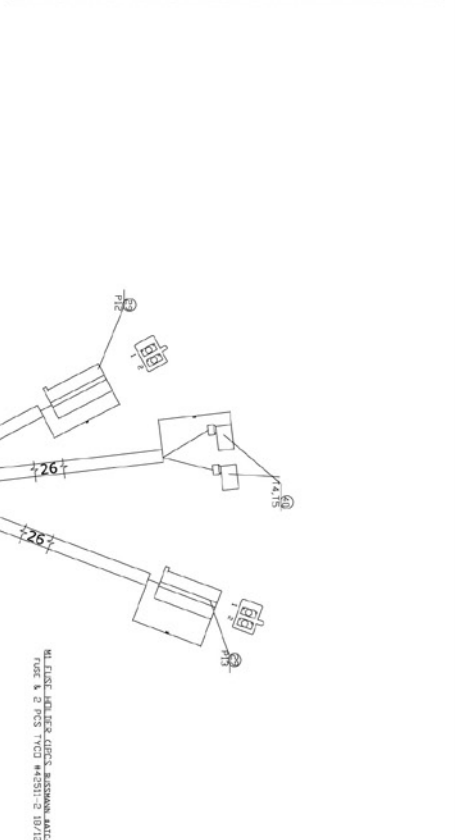
DETAIL C



60" ZT Deck Parts List			
ITEM	QTY	PART NUMBER	DESCRIPTION
1	1	060-6005-00	60" ZT Deck
2	1	060-6005-98	60" ZT Deck (Complete with Spindle)
3	3	037-6015-00	Short Spindle
4	1	206-6017-00	Discharge Chute Hanger (deck mounted)
5	2	014-6010-00	Plastic Pulley Cover
6	1	033-6001-00	4 3/4" Idler Pulley
7	2	033-5001-00	5 3/4" Deck Idler Pulley
8	3	019-6017-00	.635 ID Plastic Washer
9	2	048-6056-00	Turnbuckle (Top Link)
10	6	022-5234-00	Anti-Scalp Rollers
11	6	022-5234-98	Deck Wheel Assembly
12	6	018-5019-00	1/2" x 4" Bolt (Grade 8)
13	12	019-5037-00	3/8" Lock Washer
14	12	013-6014-00	3/8" Hex Nut
15	4	045-6043-00	5/16" Knob
16	3	033-6004-00	6 1/4" Drive Pulley
17	3	018-5250-00	3/8" x 3/4" Hex Bolt
18	3	019-6019-00	Cup Washer
19	12	018-5040-00	3/8" x 1 1/4" Hex Bolt
20	3	018-5600-00	1/2" x 1 1/2" Hex Bolt
21	3	038-6060-00	60 Inch Fusion Blade
22	3	019-4807-00	5/8" Lock Washer
23	3	018-6020-00	5/8" x 1 1/2" Heavy Hex Bolt
24	3	013-5201-00	3/8" Flange Nut
25	2	019-6042-00	.360 ID Plastic Washer
26	1	018-5311-00	5/8" x 4" Hex Bolt
27	1	025-5338-00	Pup Pulley Spacer
28	2	018-6036-00	1/2" x 2 1/2" Hex Bolt
29	2	013-5300-00	1/2" Flange Nut
30	2	018-6059-00	5/8" x 2 1/2" Hex Bolt
31	2	013-7021-00	5/8" Std NC Nylock Nut
32	11	013-8050-00	1/2-13 Nylon Flange Nut-Orange
33	1	025-5203-00	3/4" OD x 1/2" ID x 3 1/4" Length
34	1	018-7016-00	1/2" x 3" Hex Bolt
35	1	018-5050-00	3/8" x 2" Carriage Bolt
36	2	018-2018-00	1/2" x 3 1/2" Flange Bolt Grade 8
37	2	018-5015-00	5/16" x 1" Hex Bolt
38	7	013-8049-00	5/16" Nylock Flange Nut
39	2	031-6000-00	Deck Arm Assembly
40	1	039-6936-00	Deck Idler Bracket
41	2	032-6033-00	5/8" ID x 1 1/8" Brass Bushing
42	1	024-6034-00	1/4" Drive in Grease Fitting
43	1	034-2008-00	Deck Idler Spring
44	1	025-5341-00	1.75" x .5" O.D. Spacer
45	2	047-6050-00	ZT Deck Hanger Chain Assembly
46	2	018-6012-00	3/8" x 1 1/2" Hex Bolt
47	2	019-5037-00	3/8" Lock Washer
48	4	013-6014-00	3/8" Hex Nut
49	1	041-1650-00	60" ZT Deck Belt
50	3	019-5029-00	3/8" Flat Washer
51	2	013-5202-00	3/8" Nylock Flange Nut
52	1	039-4863-00	60" Lower Hanger
53	1	039-4864-10	60" Discharge Chute Upper Hanger Plate
54	5	018-4703-00	5/16" x 1 1/4" Carriage Bolt
55	1	210-6005-00	Rubber Discharge Chute



WIRE LIST	NO.	DESCRIPTION	QTY	UNIT
1	40	WIRE 12 GA 15' (12-15-15)	40	LINEAR
2	40	WIRE 12 GA 15' (12-15-15)	40	LINEAR
3	40	WIRE 12 GA 15' (12-15-15)	40	LINEAR
4	40	WIRE 12 GA 15' (12-15-15)	40	LINEAR
5	40	WIRE 12 GA 15' (12-15-15)	40	LINEAR
6	40	WIRE 12 GA 15' (12-15-15)	40	LINEAR
7	40	WIRE 12 GA 15' (12-15-15)	40	LINEAR
8	40	WIRE 12 GA 15' (12-15-15)	40	LINEAR
9	40	WIRE 12 GA 15' (12-15-15)	40	LINEAR
10	40	WIRE 12 GA 15' (12-15-15)	40	LINEAR
11	40	WIRE 12 GA 15' (12-15-15)	40	LINEAR
12	40	WIRE 12 GA 15' (12-15-15)	40	LINEAR
13	40	WIRE 12 GA 15' (12-15-15)	40	LINEAR
14	40	WIRE 12 GA 15' (12-15-15)	40	LINEAR
15	40	WIRE 12 GA 15' (12-15-15)	40	LINEAR
16	40	WIRE 12 GA 15' (12-15-15)	40	LINEAR
17	40	WIRE 12 GA 15' (12-15-15)	40	LINEAR
18	40	WIRE 12 GA 15' (12-15-15)	40	LINEAR
19	40	WIRE 12 GA 15' (12-15-15)	40	LINEAR
20	40	WIRE 12 GA 15' (12-15-15)	40	LINEAR
21	40	WIRE 12 GA 15' (12-15-15)	40	LINEAR
22	40	WIRE 12 GA 15' (12-15-15)	40	LINEAR
23	40	WIRE 12 GA 15' (12-15-15)	40	LINEAR
24	40	WIRE 12 GA 15' (12-15-15)	40	LINEAR
25	40	WIRE 12 GA 15' (12-15-15)	40	LINEAR
26	40	WIRE 12 GA 15' (12-15-15)	40	LINEAR
27	40	WIRE 12 GA 15' (12-15-15)	40	LINEAR
28	40	WIRE 12 GA 15' (12-15-15)	40	LINEAR
29	40	WIRE 12 GA 15' (12-15-15)	40	LINEAR
30	40	WIRE 12 GA 15' (12-15-15)	40	LINEAR
31	40	WIRE 12 GA 15' (12-15-15)	40	LINEAR
32	40	WIRE 12 GA 15' (12-15-15)	40	LINEAR
33	40	WIRE 12 GA 15' (12-15-15)	40	LINEAR
34	40	WIRE 12 GA 15' (12-15-15)	40	LINEAR
35	40	WIRE 12 GA 15' (12-15-15)	40	LINEAR
36	40	WIRE 12 GA 15' (12-15-15)	40	LINEAR
37	40	WIRE 12 GA 15' (12-15-15)	40	LINEAR
38	40	WIRE 12 GA 15' (12-15-15)	40	LINEAR
39	40	WIRE 12 GA 15' (12-15-15)	40	LINEAR
40	40	WIRE 12 GA 15' (12-15-15)	40	LINEAR



- NOTES:
 1. ALL WIRES PER SAE J1128 GXL. INSULATION COLOR AS INDICATED.
 2. ALL DIMENSIONS ARE IN INCHES.
 3. RELAY CONNECTORS MUST HAVE MOUNTING HOLE OF 1/4".

NO.	DESCRIPTION	QTY	UNIT
1	WIRE 12 GA 15' (12-15-15)	40	LINEAR
2	WIRE 12 GA 15' (12-15-15)	40	LINEAR
3	WIRE 12 GA 15' (12-15-15)	40	LINEAR
4	WIRE 12 GA 15' (12-15-15)	40	LINEAR
5	WIRE 12 GA 15' (12-15-15)	40	LINEAR
6	WIRE 12 GA 15' (12-15-15)	40	LINEAR
7	WIRE 12 GA 15' (12-15-15)	40	LINEAR
8	WIRE 12 GA 15' (12-15-15)	40	LINEAR
9	WIRE 12 GA 15' (12-15-15)	40	LINEAR
10	WIRE 12 GA 15' (12-15-15)	40	LINEAR
11	WIRE 12 GA 15' (12-15-15)	40	LINEAR
12	WIRE 12 GA 15' (12-15-15)	40	LINEAR
13	WIRE 12 GA 15' (12-15-15)	40	LINEAR
14	WIRE 12 GA 15' (12-15-15)	40	LINEAR
15	WIRE 12 GA 15' (12-15-15)	40	LINEAR
16	WIRE 12 GA 15' (12-15-15)	40	LINEAR
17	WIRE 12 GA 15' (12-15-15)	40	LINEAR
18	WIRE 12 GA 15' (12-15-15)	40	LINEAR
19	WIRE 12 GA 15' (12-15-15)	40	LINEAR
20	WIRE 12 GA 15' (12-15-15)	40	LINEAR
21	WIRE 12 GA 15' (12-15-15)	40	LINEAR
22	WIRE 12 GA 15' (12-15-15)	40	LINEAR
23	WIRE 12 GA 15' (12-15-15)	40	LINEAR
24	WIRE 12 GA 15' (12-15-15)	40	LINEAR
25	WIRE 12 GA 15' (12-15-15)	40	LINEAR
26	WIRE 12 GA 15' (12-15-15)	40	LINEAR
27	WIRE 12 GA 15' (12-15-15)	40	LINEAR
28	WIRE 12 GA 15' (12-15-15)	40	LINEAR
29	WIRE 12 GA 15' (12-15-15)	40	LINEAR
30	WIRE 12 GA 15' (12-15-15)	40	LINEAR
31	WIRE 12 GA 15' (12-15-15)	40	LINEAR
32	WIRE 12 GA 15' (12-15-15)	40	LINEAR
33	WIRE 12 GA 15' (12-15-15)	40	LINEAR
34	WIRE 12 GA 15' (12-15-15)	40	LINEAR
35	WIRE 12 GA 15' (12-15-15)	40	LINEAR
36	WIRE 12 GA 15' (12-15-15)	40	LINEAR
37	WIRE 12 GA 15' (12-15-15)	40	LINEAR
38	WIRE 12 GA 15' (12-15-15)	40	LINEAR
39	WIRE 12 GA 15' (12-15-15)	40	LINEAR
40	WIRE 12 GA 15' (12-15-15)	40	LINEAR

PCA INDUSTRIES	ENG. (DATE)	DATE	BY
RELEASED	BD	5/15/06	PDL
UNLESS OTHERWISE SPECIFIED, TITLE	PCA PRECISION CABLE ASSEMBLIES BROOKFIELD, WISCONSIN		
CUSTOMER	PART P/N	QTY REV	
BAD BOY	086-2050-006	A	
PCA DWG	P-6002-FG-DWG	PCA DWG REV	A
DESIGNED BY	DATE	APPlicable SPECIFICATIONS	
PDL	5/15/06		
CHECKED BY	DATE		
LW	5/15/06		

WIRE HARNESS

UNLESS OTHERWISE SPECIFIED, TITLE

PCA PRECISION CABLE ASSEMBLIES
BROOKFIELD, WISCONSIN

CUSTOMER: BAD BOY
PART P/N: 086-2050-006
QTY REV: A

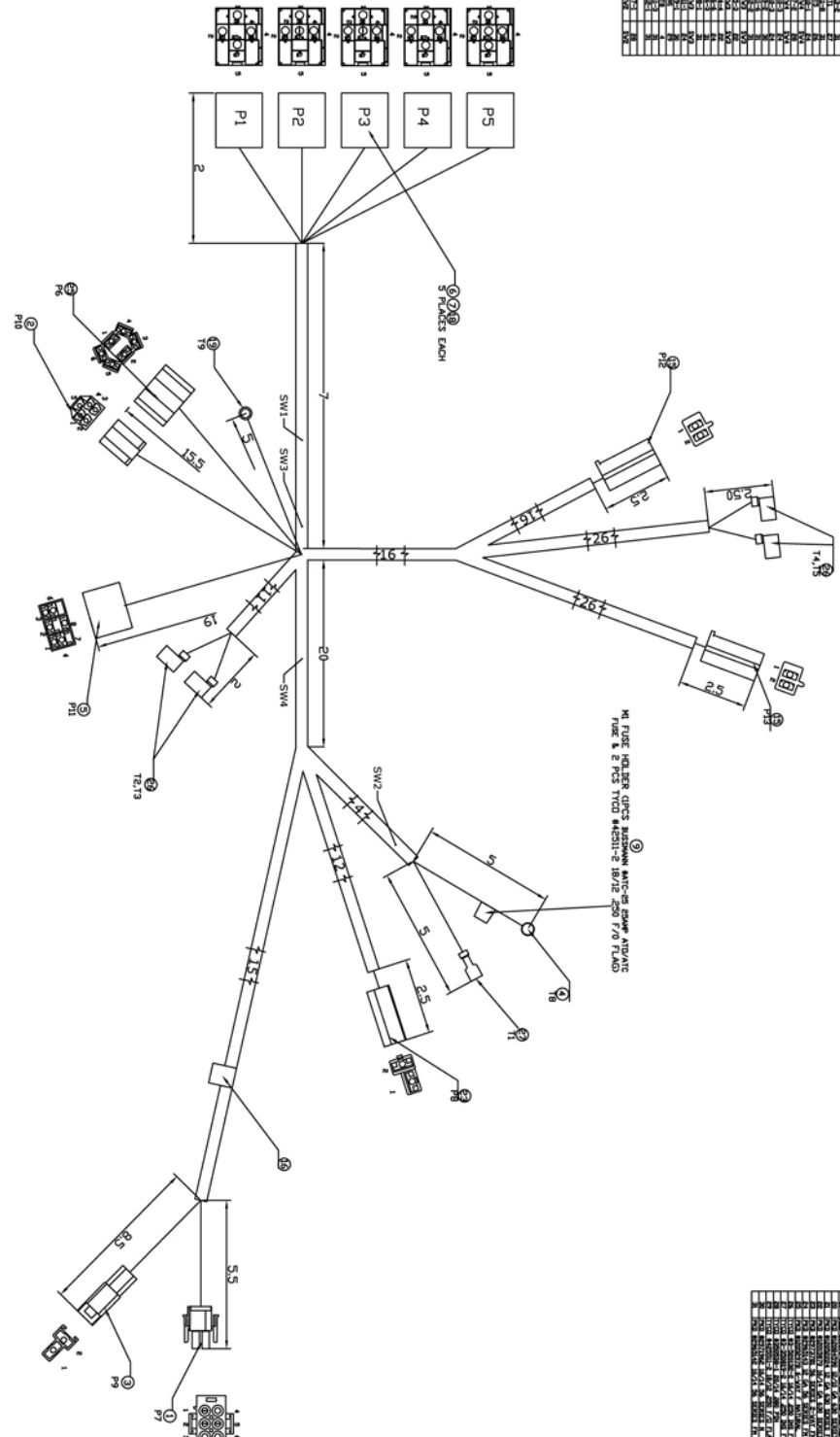
DESIGNED BY: PDL
DATE: 5/15/06

CHECKED BY: LW
DATE: 5/15/06

APPLICABLE SPECIFICATIONS:



WIRE #	START	END	WIRE	LENGTH	REV
1					
2					
3					
4					
5					
6					
7					
8					
9					
10					
11					
12					
13					
14					
15					
16					
17					
18					
19					
20					
21					
22					
23					
24					
25					
26					
27					
28					
29					
30					
31					
32					
33					
34					
35					
36					
37					
38					
39					
40					
41					
42					
43					
44					
45					
46					
47					
48					
49					
50					
51					
52					
53					
54					
55					
56					
57					
58					
59					
60					
61					
62					
63					
64					
65					
66					
67					
68					
69					
70					
71					
72					
73					
74					
75					
76					
77					
78					
79					
80					
81					
82					
83					
84					
85					
86					
87					
88					
89					
90					
91					
92					
93					
94					
95					
96					
97					
98					
99					
100					



- NOTES:
1. ALL WIRES PER SAE J1128 GXL INSULATION COLOR
 2. AS INDICATED.
 3. ALL DIMENSIONS ARE IN INCHES.
 4. RELAY CONNECTORS HOUSING
 5. ALL LENGTHS ARE FROM THE END OF THE CONNECTOR OR O OF THE RING TO BREAKOUT.

REV	DESCRIPTION	DATE	BY
A	RELEASED	5/04/07	LW
B	CIRCUITS 40 AND 40A ARE CHGD FROM 16 GA TO 14 GA.	5/23/07	KS
C	ADDED PCA DWG# AND PCA/PN#S	7/16/07	PL

PCA DWG#	P-6301-FG-DWG
PCA P/N	P-6301-FG
PCA DWG REV	C

PCA DWG#	P-6301-FG-DWG
PCA P/N	P-6301-FG
PCA DWG REV	C

REV	DESCRIPTION	DATE	BY
1			
2			
3			
4			
5			
6			
7			
8			
9			
10			
11			
12			
13			
14			
15			
16			
17			
18			
19			
20			
21			
22			
23			
24			
25			
26			
27			
28			
29			
30			
31			
32			
33			
34			
35			
36			
37			
38			
39			
40			
41			
42			
43			
44			
45			
46			
47			
48			
49			
50			
51			
52			
53			
54			
55			
56			
57			
58			
59			
60			
61			
62			
63			
64			
65			
66			
67			
68			
69			
70			
71			
72			
73			
74			
75			
76			
77			
78			
79			
80			
81			
82			
83			
84			
85			
86			
87			
88			
89			
90			
91			
92			
93			
94			
95			
96			
97			
98			
99			
100			



NOTES: _____



Technical Support:

James Russell Extension 6638
Bill Hurst (bill@badboymowers.com)..... Extension 6617
Brad Covington..... Extension 6648

Warranty:

Dustin Tissiere (dustin@badboymowers.com) Extension 6613
Bill Hurst (bill@badboymowers.com)..... Extension 6617

Parts:

Brad Foree (brad@badboymowers.com) Extension 6637
Robert Patterson (robert.patterson@badboymowers.com)..... Extension 6649

For additional information, please see us at

www.badboymowers.com

Bad Boy, Inc.
102 Industrial Drive
Batesville, Arkansas 72501
(870) 698-0090