

OUTLAW/EXTREME MODEL **ZERO-TURN MOWER** **OWNER'S, SERVICE & PARTS MANUAL**

For additional information, please see us at
www.badboymowers.com

Bad Boy, Inc.
102 Industrial Drive
Batesville, Arkansas 72501



TABLE OF CONTENTS

Basic Information	Section 1	Page 4
Bad Boy Safety Guidelines.....	Section 2	Page 5
Operation	Section 3	Page 9
Maintenance.....	Section 4	Page 10
Storage and Transportation.....	Section 5	Page 10
Troubleshooting and FAQ	Section 6	Page 12
Controls.....	Section 7	Page 13
Moving In-operable Mower.....	Section 8	Page 14
Instrumentation	Section 9	Page 14
Mower Blade Maintenance.....	Section 10	Page 15
Greasing Bearings.....	Section 11	Page 15
How To Choose the Right Blade		Page 16
Mowing Tips		Page 17
Service Section		Page 18
Parts Section.....		Page 48
Limited Warranty		Page 72



THIS MANUAL APPLIES TO THE FOLLOWING EQUIPMENT:

BAD BOY OUTLAW SERIES

- Outlaw 5400 54" 275 Yamaha
- Outlaw 6100 61" 275 Yamaha
- Outlaw 5400 54" 747cc Kohler Confidant
- Outlaw 6100 61" 747cc Kohler Confidant
- Outlaw 5400 54" 726cc Kawasaki FX751v
- Outlaw 6100 61" 726cc Kawasaki FX751v

BAD BOY OUTLAW EXTREME SERIES

- Outlaw Extreme 5400 54" 852cc Kawasaki FX850v
- Outlaw Extreme 6100 61" 852cc Kawasaki FX850v
- Outlaw Extreme 7200 72" 852cc Kawasaki FX850v
- Outlaw Extreme 6100 61" 993cc Vanguard
- Outlaw Extreme 7200 72" 993cc Vanguard

COMMONLY USED ITEMS AND PART NUMBERS

54" Blade	Hi-Lift Fusion 038-0001-00	Gator Blade 038-0003-00	Wave Blade 038-5220-00
61" Blade	Hi-Lift Fusion 038-6080-00	Gator Blade 038-6081-00	Wave Blade 038-6090-00
72" Blade	Hi-Lift Fusion 038-7230-00	Gator Blade 038-5400-00	Wave Blade 038-7215-00
Hydraulic Filter	275 Yamaha Kawasaki FX751v Kohler Confidant 063-1070-00		Vanguard 993cc Kawasaki FX850v 063-8014-00
54" Deck Belt	041-1650-00		
61" Deck Belt	041-0178-00		
72" Deck Belt	041-0202-00		
Pump Belt	041-8411-00		
Oil Filter	Vanguard 993cc 063-8018-00	275 Yamaha 015-0053-02	Kawasaki FX751v Kawasaki FX850v 063-8017-00
			Kohler Confidant 063-5004-00
Air Filter	Vanguard 993cc Kawasaki FX751v Inner Filter 063-8020-00	275 Yamaha Kawasaki FX850v Outer Filter 063-8019-00	Kohler Confidant Paper Element 063-5005-00
			Pre-cleaner 063-5006-00
Spark Plug	Vanguard 993cc 015-8000-00	Kawasaki FX751v Kawasaki FX850v 015-8001-00	Kohler Confidant 018-8000-00
			275 Yamaha 015-0056-06
Motor Oil	10W-30 Motor Oil - Bad Boy Synthetic Blend Motor Oil Recommended. 085-6015-00		
Hydraulic Oil	20W-50 Motor Oil - Bad Boy Hydrostatic Oil Recommended (Approximately 2.5 Quarts/Transaxle) 085-6000-00		



SECTION 1: BASIC INFORMATION

Congratulations on the purchase of your new Bad Boy Mower! The purpose of this manual is to assist operators in maintaining and operating their machine. The information and instructions in this manual can help you attain years of performance from your new Bad Boy. Also, check out our website to learn more about the Bad Boy family.

- 1.1 All Bad Boy engines use 10W-30 engine oil. For maximum protection, Bad Boy synthetic blend engine oil is recommended.
- 1.2 All Bad Boy hydraulic systems use 20W-50 engine oil (Conventional or Synthetic). Bad Boy Hydrostatic oil is recommended.
- 1.3 All Bad Boy Mowers use hi-temp multi-purpose grease. NLGI No. 2 for the grease fittings.
- 1.4 Outlaw models have 12 psi in both front and rear tires.
- 1.5 Most Briggs, Kohler, Kawasaki, and Vanguard engines hold approximately two (2) quarts of motor oil. Be careful not to over fill engine oil. Refer to engine's service manual.

WARRANTY REGISTRATION

The Warranty Registration form must be completed within 30 days to validate your warranty. As the new equipment owner, you are expected to see that the form is completed and forwarded to Bad Boy Inc. at time of delivery. Warranty is nontransferable. **Warranty registration should be completed by the selling dealership using the on-line registration site.**

MODEL/SERIAL NUMBER

Your Outlaw model serial numbers are found on the SIN plate underneath the seat. These numbers can assist you in the ordering of new parts when replacements become necessary.

PARTS/SERVICE

Only Bad Boy replacement parts are to be used on your mower. Replacement parts are available through your local Bad Boy Mowers Dealer. Remember to always provide the following information when ordering parts:

1. Correct part number
2. Correct serial number

All warranty repair and service must be handled through your authorized Bad Boy Mowers Dealer. To locate the nearest dealer, go to our website and click on Locate a Dealer.

EVAPORATIVE EMISSION CONTROL WARRANTY STATEMENT

Federal Evaporative Emission Control Warranty: Your Warranty Rights and Obligations

The Environmental Protection Agency (EPA), and Bad Boy Inc. are pleased to explain the evaporative emission control system's warranty on your 2018 equipment. New equipment that uses spark ignition engines for off-road use must meet stringent anti-smog standards. The evaporative emission control system on your equipment is designed, built, and equipped so it conforms at the time of sale to the ultimate purchaser with the requirements of 40 CFR 1060. The evaporative emission control system is free from defects in materials and workmanship that may keep it from meeting said requirements. Bad Boy Inc. must warrant the evaporative emission control system on your equipment for two years provided there has been no abuse, neglect, or improper maintenance. If an evaporative emission control system component does fail in a manner that would cause the equipment to no longer meet the requirements of 40 CFR 1060 within the first two years Bad Boy Inc. will replace the defective component. Your evaporative emission control system may include parts such as fuel tanks, fuel lines, carbon canisters, fuel caps, valves, vapor hoses, clamps, or connectors.



SECTION 2: MOWER SAFETY GUIDELINES

Never allow untrained people to operate this machine. It is the owner's responsibility to get training and see to it that anyone who has permission to use your machine receives the proper training. Do not mow around people. The factory discharge chute is designed to deflect debris downward, but it could be possible for debris to be thrown in a way that can cause damage to people or property. Seek additional training when possible to learn more about safety techniques and practices. **This cutting machine is capable of amputating hands and feet and throwing objects. Failure to observe the following safety instructions could result in serious injury or death.**

GENERAL OPERATION

- 2.1 Read, understand, and follow all instructions on the machine and in the manual before starting.
- 2.2 Do not put hands or feet near rotating parts or under the machine. Keep clear of the discharge opening at all times.
- 2.3 Always remain seated while operating the machine. If the machine is equipped with Roll Over Protection (ROPs), **make sure the ROPs are in the upright and locked position and always buckle your seat belt.**
- 2.4 Only allow responsible adults who are familiar with the instructions to operate this machine.
- 2.5 Clear the area of objects such as rocks, wire, toys etc., which could be thrown by the blades
- 2.6 Always maintain a safe distance from people and pets just prior to, and during, operation. Stop the machine if anyone enters the area.
- 2.7 Never carry passengers.
- 2.8 Do not mow in reverse unless absolutely necessary. Always look down and behind before and while backing.
- 2.9 Never direct discharged material toward anyone. Avoid discharging material against a wall or obstruction as material may ricochet back toward the operator. Stop the blades when crossing gravel surfaces.
- 2.10 Never operate the machine without the discharge chute, grass catcher, or other safety devices correctly in place and functioning properly.
- 2.11 Slow down before turning.
- 2.12 Always disengage blades, place steering controls in neutral, engage parking brake, and remove ignition key when leaving operators seat. Never leave a running machine unattended.
- 2.13 Disengage blades when not mowing. Shut off engine and wait for all parts to come to a complete stop before cleaning the machine, inspecting the machine for damage, removing the grass catcher, or unclogging the discharge guard.
- 2.14 Always operate machine in daylight or with adequate working lights.
- 2.15 Do not operate the machine while under the influence of alcohol or drugs.
- 2.16 Watch for traffic when operating near or crossing roadways.
- 2.17 Always wear eye protection when operating or servicing the machine.
- 2.18 Always wear ear protection, such as earplugs, while mowing.
- 2.19 Use extra care when loading or unloading the machine into a trailer or truck.
- 2.20 Be alert of surroundings. Watch for rocks, stumps, mounds, depressions, and low hanging limbs or objects that could be potentially hazardous while mowing.
- 2.21 Data indicates that operators 60 years of age and above are involved in a large percentage of riding mower related injuries. These operators should periodically evaluate their ability to operate the riding mower safely enough to protect themselves and others from serious injury.



SETTING DECK HEIGHT

- 2.22 If your machine is equipped with an actuator motor, raise the deck using the raise /lower switch. Refer to section 7 (Controls). When deck is raised, set desired height with the deck height control dial, then lower deck with the raise / lower switch.
- 2.23 If your machine is equipped with a foot pedal, press foot pedal to raise deck, select your desired deck height with the deck height dial, then slowly release foot pedal.

SLOPE OPERATION

Slopes are a major factor related to loss of control and tip over accidents, which can result in severe injury or death. Operation on all slopes requires extra caution. If you cannot back up the slope, or you feel uneasy on it, do not mow it.

- 2.24 Mow up and down slopes, not across.
- 2.25 Watch for holes, ruts, bumps, rocks, or other hidden objects that tall grass can obscure. Uneven terrain could overturn the machine.
- 2.26 Choose a low ground speed when operating the machine on a slope.
- 2.27 Do not mow on wet grass, the tires may lose traction.
- 2.28 Do not attempt to coast down a slope in the neutral position.
- 2.29 Avoid starting, stopping, or turning on a slope. If the tires lose traction, disengage the blades and proceed slowly, straight down the slope.
- 2.30 Keep all movement on slopes slow and gradual. Sudden changes in speed or direction could cause the machine to roll over.
- 2.31 Use extra care while operating machine with grass catchers or other attachments: they can affect the stability of the machine. Do not use on steep slopes.
- 2.32 Do not try to stabilize the machine by putting your foot on the ground.
- 2.33 Do not mow near drop offs, ditches or embankments. The machine could suddenly roll over if a wheel goes over the edge or the edge caves in.
- 2.34 Be aware of what is located at the bottom of slopes. For example: rocks, water, cliffs, and roadways.

CHILDREN

Tragic accidents can occur if the operator is not alert to the presence of children. Children are often attracted to the machine and the mowing activity. NEVER assume that children will remain where you last saw them.

- 2.35 Keep children out of the mowing area and in the watchful care of a responsible adult other than the operator.
- 2.36 Maintain Alertness and turn machine off if a child enters the area.
- 2.37 Before and while backing, look behind and down for small children.
- 2.38 Never carry children, even with blades shut off. They may fall off and be seriously injured or interfere with safe machine operation. Children who have been given rides in the past may suddenly appear in the mowing area for another ride and be run over or backed over by the machine.
- 2.39 Never allow children to operate the machine.
- 2.40 Never leave the key in the ignition, especially around children.
- 2.41 Use extreme care when approaching blind corners, shrubs, trees, or other objects that may block your view of a child



TOWING

OUTLAW Series

Max. pulling weight: 500 lbs.

Max. at 5°: 440 lbs.

Max tongue weights: 54" = 75 lbs.; 61" = 80 lbs.

OUTLAW EXTREME Series

Max. pulling weight: 550lbs.

Max. at 5°: 480lbs.

Max tongue weights: 54" = 75 lbs.; 61" = 80 lbs.; 72" = 90 lbs.

- 2.40 Tow only with a machine that has a hitch specifically designed for towing. Do not attach towed equipment except at the hitch point.
- 2.41 Follow the manufacturer's recommendation for weight limits for towed equipment and towing on slopes.
- 2.42 Never allow children or others in or on towed equipment.
- 2.43 On slopes, the weight of the towed equipment may cause loss of traction and loss of control.
- 2.44 Travel slowly and allow extra distance to stop.

SERVICE

SAFE HANDLING OF GASOLINE

To avoid personal injury or property damage, use extreme care in handling gasoline. Gasoline is extremely flammable and the vapors are explosive.

- 2.45 Extinguish all cigarettes, cigars, pipes, and all other sources of ignition.
- 2.46 Use only an approved gasoline container.
- 2.47 Never remove gas cap or add fuel with the engine running.
- 2.48 Allow engine to cool before refueling.
- 2.49 Never fuel the machine indoors.
- 2.50 Do not store machine near open flame or source of ignition, such as a water heater or furnace.
- 2.51 Remove gas powered equipment from the truck or trailer and refuel it on the ground. If this is not possible, then refuel such equipment with a portable container, rather than from a gasoline dispenser nozzle.
- 2.52 Never fill gasoline containers inside a vehicle or on a truck or trailer bed with a plastic liner. Always place containers on the ground away from your vehicle before filling.
- 2.53 Keep the nozzle in contact with the rim of the fuel tank or container opening at all times until the fueling is complete. Do not use a nozzle lock-open device.
- 2.54 If fuel is spilled on clothing, change clothing immediately.
- 2.55 Never overfill fuel tank. Replace gas cap and tighten securely. **Tank is full when level reaches bottom of fill tube.**

GENERAL SERVICE

- 2.56 Never operate machine in a closed area where dangerous carbon monoxide fumes can collect.
- 2.57 Keep all nuts and bolts tight to be sure the equipment is in safe working condition. Never operate a poorly maintained machine.
- 2.58 Do not touch hot areas of the machine.
- 2.59 Never interfere with the intended function of a safety device or reduce the protection provided by a safety device. Check their proper operation regularly.



- 2.60 Keep the entire machine free of grass, leaves, or other debris build up. Clean up oil or fuel spillage and remove any fuel soaked debris. Failure to do so can affect the safety and functionality of the machine, as well as increase the danger of a fire due to contact with the hot surfaces of the machine.
- 2.61 Allow machine to cool before storing.
- 2.62 If you strike something with the mower, turn the mower and blades off, engage the parking brake, and inspect the machine for damage. Repair, if necessary, before resuming.
- 2.63 Never make any adjustments or repairs with the engine running.
- 2.64 Check grass catcher components and the discharge guard frequently and replace with manufacturer's recommended parts, when necessary.
- 2.65 Mower blades are sharp. Wrap the blade or wear gloves before servicing them.
- 2.66 Check parking brake operation frequently. Adjust and service as required.
- 2.67 Maintain or replace safety and instruction labels, as necessary.
- 2.68 Do not attempt to mount a tire without the proper equipment and experience to perform the job.
- 2.69 Always maintain the correct tire pressure. Do not inflate the tires above the recommended pressure. Never weld or heat a wheel and tire assembly. The heat can cause an increase in air pressure resulting in a tire explosion. Welding can structurally weaken or deform the wheel.
- 2.70 Park machine on level ground. Never allow untrained personnel to service machine. Understand service procedure before doing work.
- 2.71 Mower deck, frame, and engine compartment should remain free of debris to prevent premature parts failures or fire hazards.

SAFETY INTERLOCK SYSTEM

Your Bad Boy mower is equipped with a safety interlock system. This system is designed to prevent serious injury or death to the operator and other people or property damage. The system consists of an operator presence switch in the seat, the parking brake, drive lever neutral position, the mower blade engagement switch, and the ignition switch. These interlocks are vitally important and must be tested frequently. Following are instructions to test these very important safety precautions. **Note: the operator must be seated properly on the machine during these tests and the engine should have been previously allowed to warm to operating temperature.**

- 2.72 With the parking brake engaged, bring lever arms to their inward position Attempt to start the machine with the blade actuator in off position. The engine should not start.
- 2.73 On a level surface, disengage the parking brake and place lever arms to their outward position. Then, attempt to start the machine with the blade actuator in off position. The engine should not start.
- 2.74 Engage parking brake and leave lever arms in outward position. Put blade actuator in the on position, then attempt to start the machine. The engine should not start.
- 2.75 Next, start the engine as stated in the Mower Operation Section. Disengage parking brake and, Very Slowly, begin to rise from the seat. The engine should stop.

If any of these tests fail to produce the results indicated and the problem cannot be identified, contact your Bad Boy Mower dealer or the support contacts in the rear of this manual.

ROLL OVER PROTECTION STRUCTURES (ROPS)

This machine is not equipped with ROPS from the factory. If ROPS are added as an option, it is vital that the rules below are adhered to. ROPS, when used correctly, dramatically decrease the fatality rate in roll-over instances.

- 2.76 Periodically ensure the bolts that attach the ROPS to the machine are securely fastened.
- 2.77 Always operate the machine with the ROPS secured in the upright position.
- 2.78 If the surrounding environment (e.g. low-lying limbs, signage, etc.) makes it impossible to mow with the ROPS upright, lower the ROPS at the hinge point, mow the area, then immediately secure the ROPS upright.
- 2.79 Upright ROPS are taller than the operators head. Be aware of this and your surrounding environment, as referenced above. The mower and operator may clear low lying items, but the ROPS may not.
- 2.80 Always wear the provided seat belt when ROPS are utilized. Failure to use the seat belt severely handicaps the safety benefits of the ROPS.
- 2.81 In the event of a roll-over, replace the ROPS before resuming use of the machine.



SECTION 3: MOWER OPERATION

Never operate the machine with faulty equipment. Always be alert of sudden changes in landscape, as the mower will react differently on slopes or embankments than it will on flat surfaces. Never operate the mower with the discharge chute open. Do not cross terrain, other than grass, with blades turning. This could cause damage to property or bystanders.

- 3.1 Place parking brake in up position.
- 3.2 Drive arms must be in the "open" position. While sitting on the machine, each arm is positioned away from the operator, to the right and left. Drive arms will lock into place and must be in this position to start machine.
- 3.3 Put PTO switch in the OFF position.
- 3.4 If your machine has been equipped with a ROPS (Roll Over Protection System) then you must fasten seatbelt.
- 3.5 If machine has not been started recently, engage the choke.
- 3.6 Make sure nothing is under or around machine.
- 3.7 Place key in ignition and turn.
- 3.8 Once machine is started, disengage the choke.
- 3.9 Increase RPM by sliding the throttle to fast position, toward the rabbit.
- 3.10 Owners must become familiar with the controls before operating a zero-turn radius vehicle.
- 3.11 Start slowly and build your skill level. Have ample practice before using the machine at full capabilities.
- 3.12 Be comfortable with machine before engaging blades. Know what each component controls before using machine.
- 3.13 Your mower will perform differently on an incline /decline. Be cautious, slow down, and do not make any sudden jerking movements with control arms. The machine could lose traction on a decline or tip backwards on an incline.
- 3.14 Once you become comfortable with your Bad Boy Mower you will notice your overall mowing time will decrease.

*Avoid operating your mower on side hills of over 5 degrees,
inclines of over 10 degrees,
and declines of over 15 degrees.*



SECTION 4: MOWER MAINTENANCE

Maintenance	Interval							Section
	Daily	First 5 Hours	Every 25 Hours	Every 50 Hours or Annually*	Every 100 Hours or Annually*	Every 200 Hours	Every 250 Hours	
Check and add engine oil	●							Section 3
Check all belts for proper alignment	●							Section 2 (Pump) 6 (Deck)
Check tire pressure and wheel lug nuts	●							Section 5
Check battery terminal connections	●							Section 4
Check condition of blades	●							Section 6
Check for fuel and oil leakage	●							Section 3
Initial oil change		●						Section 3
Tighten nuts and screws				●				
Change engine oil and filter				●				Section 3
Initial change of hydraulic oil and filter				●				Section 1
Grease mower					●			Section 5
Replace air element and pre-cleaner♦					●			Section 3
Replace fuel filter♦					●			Section 3
Clean or replace spark plugs and set gap					●			Section 3
Change hydraulic oil and filter							●	Section 1
Clean combustion chamber ^{Dealer}							●	
Check and adjust valve clearance ^{Dealer}							●	
Clean and lap valve seating surface ^{Dealer}							●	

*Maintenance by hour or annually whichever comes first

♦Check air and fuel filter more often in dusty conditions

^{Dealer}Get maintenance performed at a registered dealership

SECTION 5: MOWER STORAGE & TRANSPORTATION

- 5.1 Keep machine from collecting debris by storing in a covered area while not in use.
- 5.2 Fuel can harm your machine if left for more than 30 days without changing, especially if the fuel contains ethanol. Never use fuel with more than 10% ethanol by volume. E-15 is not permitted.
- 5.3 Disconnect the negative battery cable when machine will be stored for more than 30 days.
- 5.4 Always secure machine properly when transporting machine.
- 5.5 Do not load machine on trailer with blades engaged.
- 5.6 Do not use ramps to load the machine.
- 5.7 Make sure Parking Brake is in "up" position.
- 5.8 In wet conditions tires may spin while loading / unloading. If necessary, wait for dry conditions before loading/unloading.
- 5.9 Make sure mode of transportation is suitable to bear the weight of mower.
- 5.10 Deck height should be set at maximum before attempting to load.
- 5.11 Secure mower with at least two straps capable of securing weight of mower.



SECTION 6: TROUBLESHOOTING

6.1 **Q: *How do I prevent an uneven cutting pattern and increase the quality of cut?***

A: Check tire pressure, check blade sharpness (replace blades or sharpen at least once per year or when needed), make sure blades are tightened properly, check spring and belt tension, check the underside of the deck to ensure the mower deck is free of grass build-up and debris, make sure your machine is at full throttle, and vary your mowing pattern each time you cut your grass.

6.2 **Q: *What should I do if my mower won't start?***

A: Check battery charge and connection (grounds), check your fuel (make sure fuel is less than 30 days old and contains no water), make sure your spark plug is in good condition and spark plug wire is attached, and make sure air filter is clean (a dirty filter makes it more difficult for the engine to draw air). Check the integrity of the 25-amp main fuse; also check for any bare wires and/or bad connections.

6.3 **Q: *What should I do if the blades won't engage?***

A: Make sure the safety switch is plugged in on the bottom of seat. Check the underside of the PTO engager to ensure the plug is secure at switch. Also check PTO fuse underneath operator console (10-amps)

6.4 **Q: *What type of fuel is recommended for my mower?***

A: We recommend that you use a name brand fuel to ensure quality. Use fuel with an octane rating near 87. Higher octane fuels offer no benefit. Only fuels with an ethanol content of 10% or less may be used. By law, E-15 fuel is not permitted. Usage of E-15 will result in premature engine failure.

6.5 **Q: *Do you offer touch-up paint for your mowers?***

A: Touch-up paint is available. Contact your local dealer for more information.

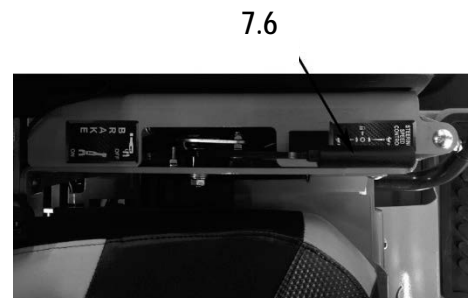
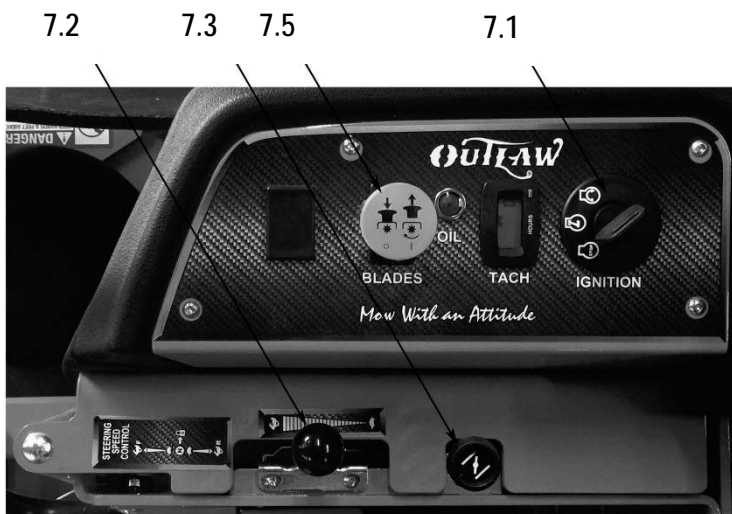
6.6 **Q: *How do I clean my mower?***

A: It is recommended that you use an air hose or blower to remove dust and debris from the mower, to ensure there is not a buildup of grass on the mower deck and engine compartment, which could become a fire hazard. If you must wash the mower, ensure you run the engine to operating temp to dry water and engage the blades to spin off any standing water on the pulleys. Avoid spraying water onto electrical components and bearings to prevent premature failure of these parts.



SECTION 7: CONTROLS

- 7.1 **Ignition Switch:** Bad Boy mowers have a three-position ignition switch: off, run, and start. With key inserted, rotate it clockwise to START position and release key when engine starts, and switch will automatically return to the RUN position.
- 7.2 **Throttle Control:** A cable is connected to the engine throttle for controlling engine speed. Move lever forward to increase engine rpm, move lever backward to decrease engine rpm.
- 7.3 **Choke Control:** The choke control, located to the right of the operator's left, is a 'push-pull' type. When the choke knob is pushed in, the choke is in the off (run) position. When the choke is pulled out it is in the on (start) position. **Do not operate the machine in the on (start) position.**
- 7.4 **Control Levers:** (Not Shown) These levers control the mower's speed, direction, and neutral lock. These levers are used to steer, accelerate, decelerate and change direction.
- 7.5 **Blade Engage Switch:** This switch engages the blades. Pull the switch up to engage the blades and push the switch down to disengage the blades.
- 7.6 **Parking Brake:** This lever engages the parking brake. Pull back fully to engage the parking brake; push forward to disengage.





SECTION 8: MOVING INOPERABLE MOWER

- 8.1 Do not tow machine. Use a winch to load on a trailer for transporting.
- 8.2 If it becomes necessary to move an inoperable mower, the drive transaxles are equipped with bypass valves that allow the drive tires to rotate freely. These bypass valves are located on top of the Outlaw's transaxles and on the inner side of the Outlaw Extreme's transaxles. Each require a quarter turn to allow for proper bypass.

Your Bad Boy Mower Weighs: **OUTLAW SERIES: 1180-1310 lbs.**

****Weights fluctuate with the addition of accessories.*

- 8.3 As you can see by the weights of the machines, you shouldn't ever try to push or pull a Bad Boy Mower by hand. This could cause serious bodily injury.
- 8.4 Hopefully, you'll never need to use this section of the manual. However, if you do, use extreme caution when moving machine!

SECTION 9: INSTRUMENTATION

- 9.1 **Electronic Hour Meter:** Displays total operating hours (0.1 hour increments, up to 9,999.9 hours), resettable timers, oil change reminders (5 hour break-in reminder followed by 50 hour interval reminders), air filter cleaning reminder, and RPM gauge. Press button to cycle between functions. To reset a timer, depress and hold button for 2 seconds.
- 9.2 **Oil Light:** Alerts the user of a low oil level situation when lit.



SECTION 10: MOWER BLADE MAINTENANCE

- 10.1 Check mower blades after each use. This is essential for maintaining well-groomed turf. Keep the blades sharp. If a dull blade is used for cutting, the grass will tear rather than cut. This could damage the grass leaving a brown frayed top on the grass within a few hours. A dull blade will also require more power from the engine.
- 10.2 NEVER attempt to straighten a bent blade by heating. NEVER attempt to weld a cracked blade. The blades can break and cause serious injury or death.
- 10.3 NEVER work with blades while engine is running or deck clutch is engaged.
- 10.4 ALWAYS place deck clutch in DISENGAGE position while performing maintenance.
- 10.5 Use blocks when you MUST work under mower.
- 10.6 ALWAYS wear thick gloves when handling blades.
- 10.7 ALWAYS check for blade damage if mower strikes rock, branch, or other objects that could potentially damage the blade.

***(REMEMBER: NEVER CHECK BLADE WHILE ENGINE IS ON!
NEVER CHECK BLADES WHILE BLADES ARE ENGAGED!)***

SECTION 11: EQUIPMENT LUBRICATION

- 11.1 Park the machine on a level surface and disengage the blade control switch.
- 11.2 Move the motion control levers outward to the neutral position, engage parking brake, stop the engine, remove the key, and wait for all moving parts to stop before leaving the operating position.
- 11.3 Grease Type: NLGI grade #2 multi-purpose gun grease.
- 11.4 Clean the grease fittings with a cloth. Scrape any paint off the front of the fitting(s).
- 11.5 Connect a grease gun to each fitting. Pump grease into the fitting until grease seepage is observed. Be mindful of over-pressurization. Do not force the lever arm if there is strong back pressure as this can lead to reduced life of the component(s). Wipe up excess grease.
- 11.6 Refer to service manual section for grease fitting locations.



HOW TO CHOOSE THE RIGHT BLADE

Essentially there are only TWO basic styles of mowing blades used or approved for use on our current products:

1. The standard style of mowing blade is essentially designed for cutting grass and effectively discharging the clippings out from the deck to fall onto the lawn or to be captured in a grass collection system. Standard blades are also referred to as "2-in-1" (discharging & bagging) or "high-lift" blades (because they are designed to create a higher-lifting airflow).
2. Mulching blades generally have a more curved style surface and frequently include extra cutting surfaces along the blade edges. These blades may also come in a "+" design (which is actually two individual blades arranged in a perpendicular fashion to enhance mulching). The "+" blades are usually found on older style mowers; newer ones utilize blades with more advanced mulching technology. Mulching blades may also be referred to as "3-in-1" (mulching, discharging & bagging) or "all-purpose" blades.

Bear in mind that the re-circulating airflow design of 3/1 blades makes them less efficient at discharging grass clippings than a standard 2/1 blade. As with most all-purpose tools, there is some give and take as opposed to using a tool designed for a more specific purpose.

If you're experiencing less-than-desired cutting or discharging performance with a 3/1 blade, you may want to check into using a 2/1 blade. Conversely, if you're using a 2/1 blade and want to mulch clippings, you should see about the availability of mulching blades or a mulching kit. *

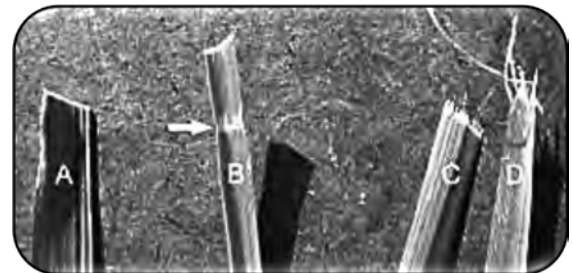
The type of blade installed on a new mower is a decision the retailer makes for each model of mower, based on the expected needs of most customers. If you're unsure of which blade is on a particular model, inspect the blade. Blades have part numbers stamped into them. Then compare these part numbers with the unit's Operator's Manual or Parts List.

It is true there are many other styles of blades available. But since we don't manufacture or recommend using these other aftermarket styles, we will leave them out of this discussion. Should you want more information on special application or aftermarket blades, you should contact the companies that make these products. NOTE: Customers using non-OEM blades do so at their own risk. The use of unapproved (non-OEM) blades may void any or all of the mower and engine factory warranties.

* **MULCHING KITS** – These generally consist of mulching blades and a mulching plug (which closes off the discharge opening to keep the clippings contained under the deck for re-cutting) plus any necessary hardware for installation. Please check with your parts distributor regarding the contents of a particular mulching kit.

MOWING TIPS:

- Mow header strips at the ends of the lawn and around flower beds first. Make them wide enough that you can turn the mower around in the already mown section. Then mow back and forth between these header strips overlapping each lap by about 1/8 the width of the mower's deck.
- Don't cut your grass too short, particular for cool season grasses. Higher heights usually provide for a deeper root system, looks better, and is less likely to have weeds invading, particularly crabgrass.
- Don't remove any more than one third of the grass leaf at any one cutting. If circumstances arise that a lawn gets too tall and you just have to lop off a bunch to get caught up, bite the bullet and break it down into several mowings to get caught up with 3 or so days between cuttings.
- NEVER SCALP YOUR LAWN.** Scalping severely damages the root system to such a degree that it may die.
- Avoid mowing when the grass is wet or when it's dark
- Avoid throwing grass clippings into the street and driveway where they can be washed into the sewer system. After mowing, clean up driveway and walkways.
- When mowing remove only a third of the height of the grass with each cutting (except for the first mowing of the season when it's ok to remove more). You can safely leave clippings that will quickly decompose and add nutrients back into the soil. Contrary to popular opinion, grass clippings do not add to thatch buildup. Grass blades are made up of about 75% water.
- Mow your lawn in a different direction with each mowing, especially with lawns of shorter grass types. Altering the direction ensures a more even cut since grass blades will grow more erect and less likely to develop into a set pattern.
- Keep your mower's blade sharp, which means having it sharpened several times during the mowing season. Keep several blades around so you'll always have a sharp one on hand. Sharp blades cut the grass cleanly and help mulch clippings into small pieces which break down quickly.
- Don't forget to change your mower's oil at least once during the mowing season. For brand new mowers, change the oil after about 5 hours of operation during the initial break-in period.
- At the end of the mowing season use a fuel stabilizer in the remaining gasoline
- In the spring, don't use that old gas unless you properly used a fuel stabilizer, it can cause a number of problems. Better to use fresh gasoline to begin the new mowing season.
- Leaf blade A** demonstrates what a leaf blade should look like after mowing with a sharp blade.
- Leaf blade B** demonstrates a leaf blade that was injured by a dull mower blade.
- Leaf blade C** was cut by the mower but indicates that the mower blade is not sharp enough. The shredded white tissue protruding from the leaf blades C and D is the vascular tissue of the plant.
- Leaf blade D** has been mown for quite some time with a dull mower blade.



The leading edge of the blade enclosure is equipped with an adjustable guard. When the guard is set to a higher position, it allows incoming grass to remain in a more upright position just prior to being cut. The result is a higher quality cut.



TO BAG OR TO MULCH?

Grass clippings do not contribute to thatch buildup or increase the chances of disease. If you mow your lawn at the right height, without removing any more than 1/3 of its total height, clippings will quickly breakdown without a trace. These clippings contribute additional nitrogen and other nutrients to the soil and supply it with additional organic materials. Clippings from a 1000 sq. ft. lawn can add as much as 1 - 2 pounds of nitrogen back into the soil. If you have a compost pile, then you may want to bag your clippings occasionally to add much needed green-matter to the compost pile. Make sure it is mixed thoroughly with brown matter to avoid a strong ammonia odor. **DO NOT COMPOST CLIPPINGS** after applying any weed control or weed-feed type product. Before adding clippings to the compost pile wait at least 3 mowings after these products have been applied.



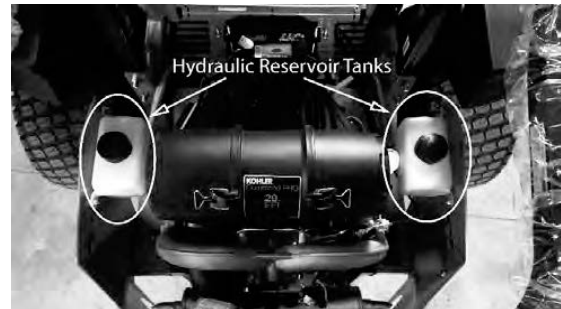
SERVICE SECTION

SECTION 1: HYDROSTATIC SYSTEM

The hydro reservoir tank on the Outlaw model is located on each side of rear cover. Notice the "full cold" line at the bottom of the tank. Use only 20W-50 motor oil in this tank. Conventional or synthetic oil may be used.

THE FOLLOWING MAINTENANCE IS TO BE PERFORMED ON A LEVEL SURFACE.

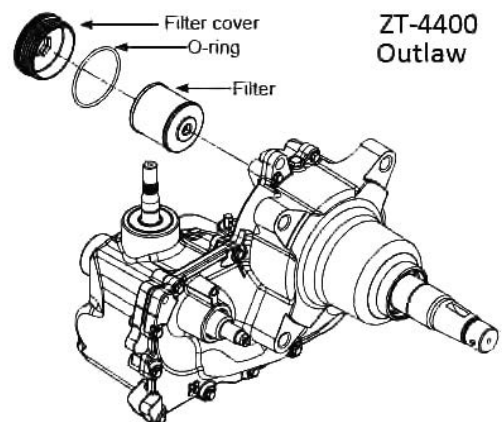
Outlaw transaxles hold 4 quarts of 20W-50 motor oil each. Bad Boy Hydrostatic Oil is recommended. Transaxle service is recommended after the first 75 hours of use; then at intervals of 250 usage hours. Use only Hydro-Gear® brand oil filters. Use of other brands could void the warranty.



CHANGING YOUR HYDRAULIC OIL AND FILTER

OUTLAW 4400

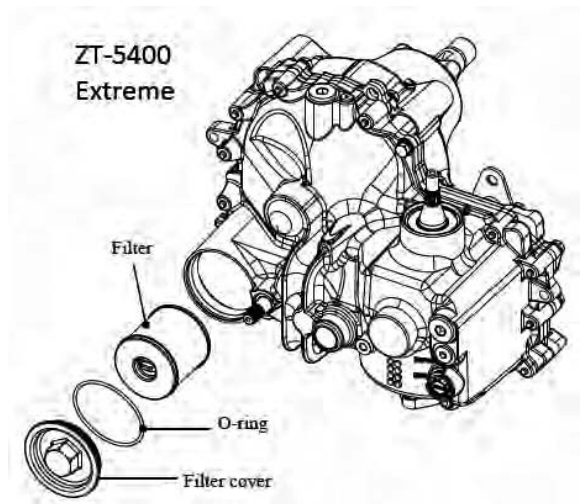
1. Place an oil drain pan (12" or more in diameter and 8 qt. capacity is optimal) beneath the oil filter. Remove the oil filter cover from the transaxle to drain the oil. Remove the O-ring from the cover and discard the O-ring.
2. After the oil has drained from the transaxle, remove the oil filter from the transaxle housing.
3. Install a new filter and a new O-ring onto the filter cover and install the filter cover. Torque the filter cover to 200-300 in-lbs.
4. Fill the transaxle with new 20W-50 motor oil through the hydraulic reservoir until it reaches the cold fill line on the tank.
5. Drain the old oil filter of all free-flowing oil prior to disposal. Place used oil in appropriate containers and deliver to an approved recycling collection facility.
6. Proceed to the purge procedure on the page 20.
7. Recheck oil level and fill as necessary.



CHANGING YOUR HYDRAULIC OIL AND FILTER

EXTREME 5400

1. Place an oil drain pan (12" or more in diameter and 8 qt. capacity is optimal) beneath the oil filter. Remove the oil filter cover from the transaxle to drain the oil. Remove the O-ring from the cover and discard the O-ring.
2. After the oil has drained from the transaxle, remove the oil filter from the transaxle housing.
3. Install a new filter and a new O-ring onto the filter cover and install the filter cover. Torque the filter cover to 200-300 in.-lbs.
4. Remove the top oil fill vent port plug as seen in the picture to the right. Fill the transaxle with new 20W-50 through the hydraulic reservoir tank until the oil reaches the oil fill vent port.
5. Install the top oil fill vent port plug and continue filling the system with oil until the fill line is reached in the expansion tank.
6. Drain the old oil filter of all free-flowing oil prior to disposal. Place used oil in appropriate containers and deliver to an approved recycling collection facility.
7. Proceed to the purge procedure on page 20.
8. Recheck oil level and fill as necessary.



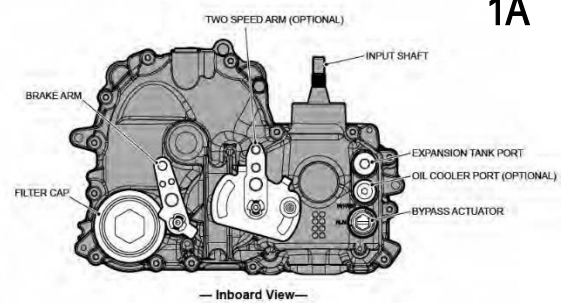
Outlaw Extreme transaxles hold 4.75 quarts each. Bad Boy Hydrostatic Oil is recommended. Transaxle service is recommended after the first 75 hours of use; then at intervals of 250 usage hours. Use only Hydro-Gear® brand oil filters. Use of other brands could void the warranty.



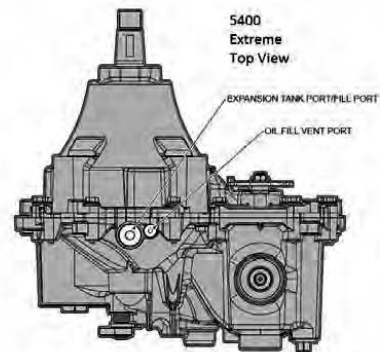
PURGING PROCEDURE

Due to the effects air has on the efficiency in hydrostatic drive applications, it is critical that the air is purged from the system. These purge procedures should be implemented any time a hydrostatic system has been opened to facilitate maintenance or any additional oil has been added to the system.

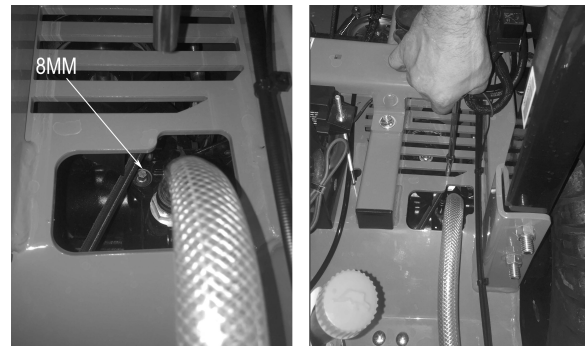
1. Lift the rear tires of the mower off of the ground using a floor jack or similar device. Chock the front tires to keep the mower from moving.
2. Locate the bypass valve on the transaxle. On the Outlaw extreme with 5400 transaxles, the bypass valve is located towards the front inside lower portion of the unit as shown in 1A. On the standard Outlaw with 4400 transaxles, the bypass valve is located on top of the unit next to the expansion tank port as shown in 1B.
3. The bypass valves on either model are opened by turning the valve a quarter of a turn. With the valves open, start the mower, release the parking brake, and move the drive arms forward and backward 10-12 times slowly. Turn off engine, close bypass valves, and recheck oil level. Add oil as necessary.
4. It may be necessary to repeat these steps to completely purge all air from the system if performance is lacking. When the unit moves forward and backward evenly at normal speed, the purging is complete.



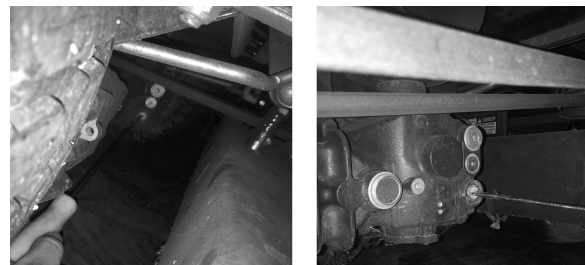
1A



1B

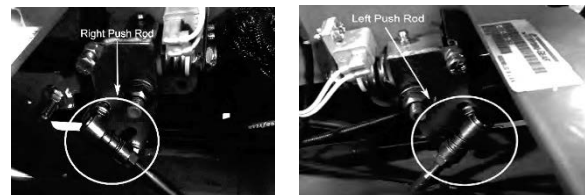


4400



5400

When adjusting the tracking on the mower, the length of the pushrods can be changed by screwing the pivot joint in or out on the ends of the rods. Shortening the overall length of the rod slows the pump down. Lengthening the rod will increase the speed of the pump.

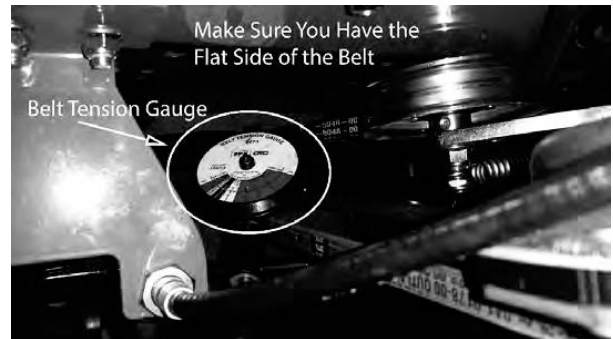


SECTION 2: DRIVE BELT

Shown on the right is the tensioner for your pump belt. Adjusting this will either increase or decrease tension on the belt. Use a 3/4" wrench to loosen the jam nuts and either tighten for more belt tension or loosen for less belt tension.



The tension should be adjusted so that there is between 60 to 65 lbs. of tension on the belt. This can be checked with a belt tension gauge as shown to the right.



Use a belt tension gauge to ensure the proper tension. Your or service center will have a belt tension gauge or you can buy one by calling the Bad Boy Parts Department at 866-622-3269 and asking for the Parts Department (Part Number 041-9999-00).

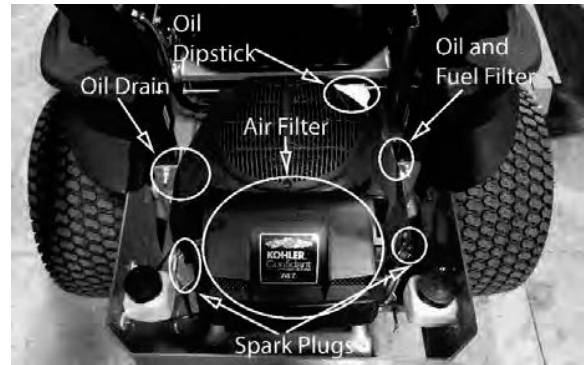




SECTION 3: ENGINE

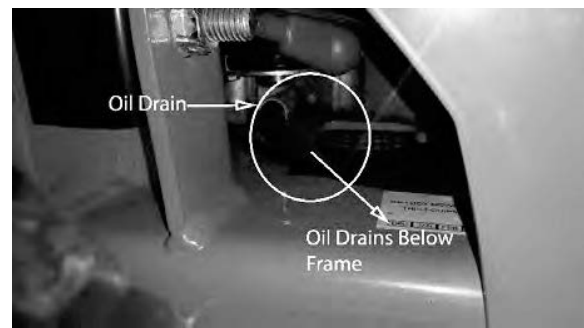
KOHLER CONFIDANT 747CC

This machine has an oil drain hose installed on the engine to allow for easier oil changes. Bad Boy recommends that the oil and filter be changed after the initial 8hrs. of use, and at intervals of 50 usage hours or yearly, whichever occurs first after that. The oil capacity is 2 quarts. Bad Boy 10W-30 synthetic blend engine oil is recommended for maximum protection.



CHANGING YOUR ENGINE OIL AND OIL FILTER

1. Remove oil dipstick and open oil drain. Allow oil to completely drain. (Make sure to have an oil pan ready to capture old oil and properly dispose old oil.)
2. The oil filter is located on the right side of the engine. Clean area around oil filter. Place a container under the oil filter to capture any oil and remove filter. Wipe off mounting surface and reinstall drain plug. Torque to 10 ft.*lbs.
3. Place new filter in shallow pan with open end up. Fill with new oil until oil reaches the bottom of the threads. Allow two minutes for oil to be absorbed by filter material.
4. Apply a thin film of clean oil to rubber gasket on new filter.
5. Refer to instruction on oil filter for proper installation.
6. Fill crankcase with approximately 2 quarts of new oil. Level should reach top of indicator on dipstick.
7. Reinstall oil filter dipstick and tighten securely.
8. Start engine; check for oil leaks. Stop Engine; correct oil leaks. Recheck oil level.
9. Dispose of used oil and filter in accordance with local ordinances.

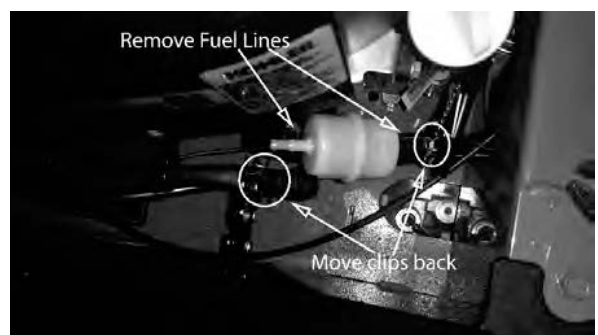
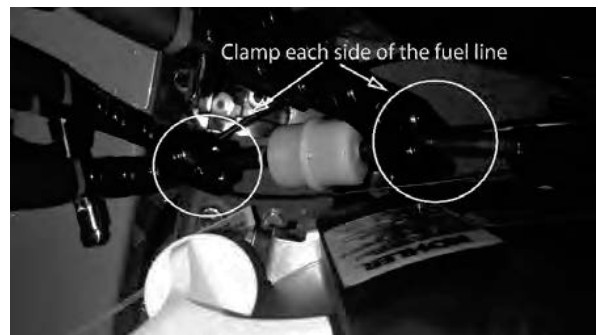


KOHLER CONFIDANT 747CC (CONTINUED)

The fuel filter is approximately 12" from the carburetor, in the fuel line. Replace the filter yearly. Prior to the removal of the old filter, note the direction of fuel flow as indicated on the filter. Have towels readily available in order to quickly remove any fuel leakage. Always use new hose clamps and ensure the security of the new filter by lightly pulling on each hose. Always perform maintenance outdoors or in a well-ventilated area. Do not smoke or allow any open flames in the vicinity of any maintenance activities.

CHANGING YOUR FUEL FILTER

1. Locate your fuel filter and mark the direction it is facing.
2. Clamp each side of the fuel filter to minimize any gas spills.
3. Remove the clips from each side of the fuel filter and remove the fuel filter.
4. Place the new fuel filter in the same direction as the old and place clips back into place.
5. Remove clamps.



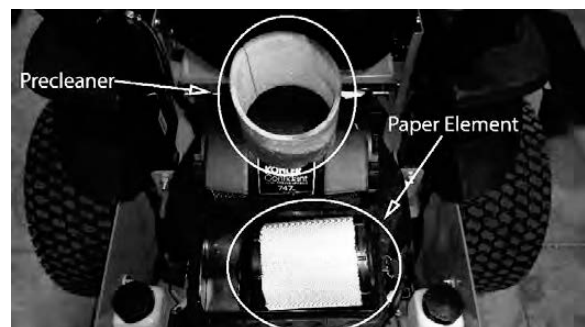
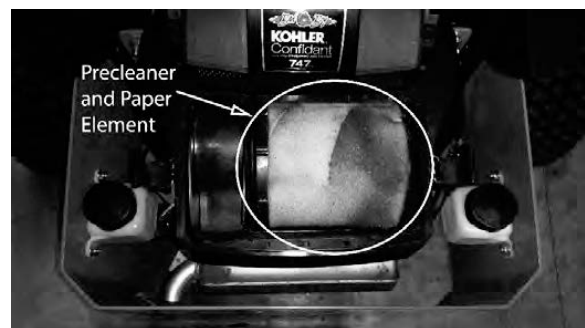


KOHLER CONFIDANT 747 CC (CONTINUED)

The air cleaner is the engine's only defense against damaging foreign particles. It is very important that the air cleaner element is inspected prior to each use. Remove the element and tap its sides in order to remove debris. Do not blow the filter out using compressed air. Doing so will greatly reduce the air cleaner's effectiveness. Replace yearly; more often in dusty environments. Adhering to these practices will help prevent loss of power and premature engine failure.

CHANGING THE AIR CLEANER

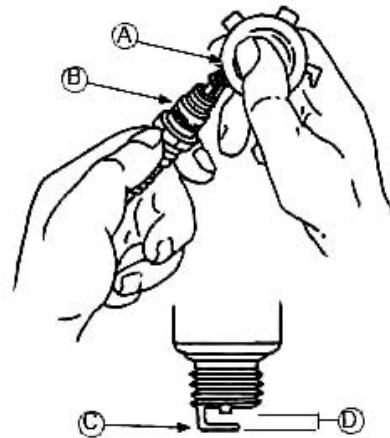
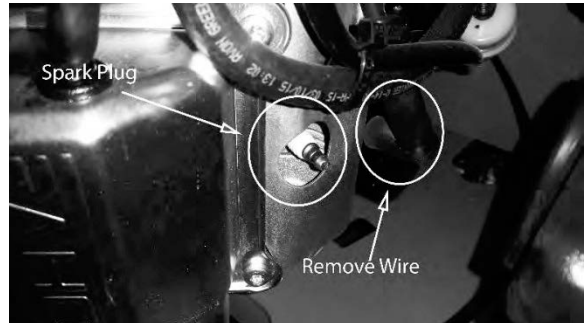
1. Unlock the air cleaner cover and remove to access the air cleaner.
2. Remove the paper element and pre-cleaner.
3. Replace or wash pre-cleaner in warm water with detergent. Rinse and allow to air dry.
4. Lightly oil pre-cleaner with new engine oil; squeeze out excess oil.
5. Replace paper element and place pre-cleaner onto new paper element.
6. Install onto base and place cover back on and lock into place.



KOHLER CONFIDANT 747CC (CONTINUED)

CHANGING THE SPARK PLUGS AND CHECKING THE SPARK PLUG GAP

1. Remove the wire on the spark plug and use a 5/8" socket to remove the spark plug.
2. Check the gap on the spark plug to verify that it is 0.03 in using a feeler gauge.
3. If the spark plug is worn, overheated, wet or carbon fouled replace the spark plug.
4. Install the plug into cylinder head and torque to 20 ft.-lbs. Be careful not to overtighten the spark plug.



A	Wire Gauge	B	Spark Plug
C	Ground Electrode	D	Gap

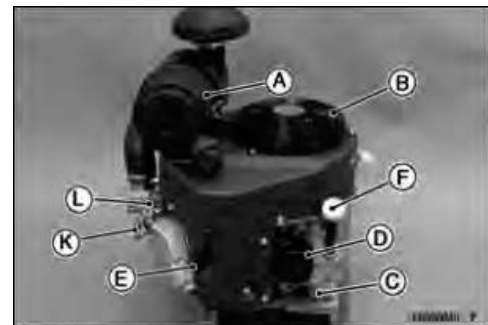
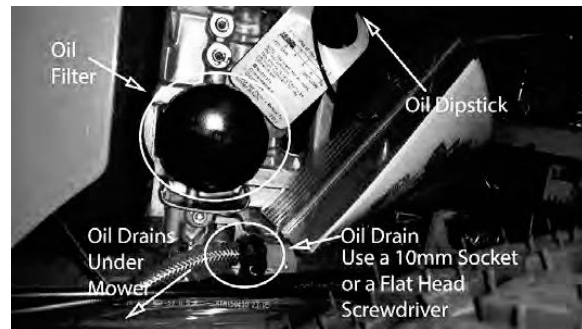
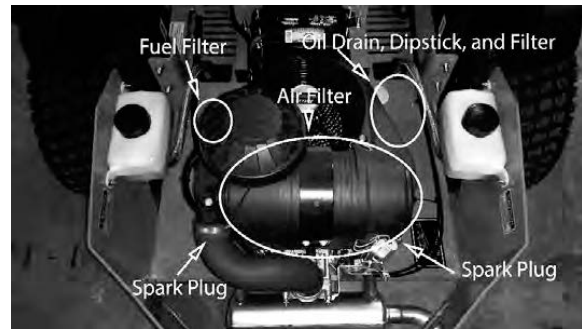


KAWASAKI FX751V

This machine has an oil drain hose installed on the engine to allow for easier oil changes. Bad Boy recommends that the oil and filter be changed after the initial 8 hrs. of use, and at intervals of 50 usage hours or yearly, whichever occurs first after that. The oil capacity is 2 quarts. Bad Boy 10W-30 synthetic blend engine oil is recommended for maximum protection.

CHANGING YOUR ENGINE OIL AND OIL FILTER

1. Remove oil dipstick and open oil drain using a 10-mm socket or a flat head screwdriver until oil begins flowing. Allow oil to completely drain. (Make sure to have an oil pan ready to capture old oil and properly dispose old oil.)
2. The oil filter is located on the right side of the engine. Clean area around oil filter. Place a container under the oil filter to capture any oil and remove filter. Wipe off mounting surface and reinstall drain plug. Torque to 10 ft*lb.
3. Place new filter in shallow pan with open end up. Fill with new oil until oil reaches the bottom of the threads. Allow 2 minutes for oil to be absorbed by filter material.
4. Apply a thin film of clean oil to rubber gasket on new filter
5. Refer to instructions on oil filter for proper installation.
6. Fill crankcase with approximately 2 quarts of new oil. Level should top of indicator on dipstick.
7. Reinstall oil fill/dipstick and tighten securely.
8. Start engine; check for oil leaks. Stop Engine; correct oil leaks. Recheck oil level
9. Dispose of used oil and filter in accordance with local ordinances.



- A. Air Cleaner
- B. Air Inlet Guard
- C. Oil Drain Plug
- D. Oil Filter
- E. Spark Plugs/Spark Plug Caps
- F. Oil Gauge
- K. Control Panel
- L. Carburetor



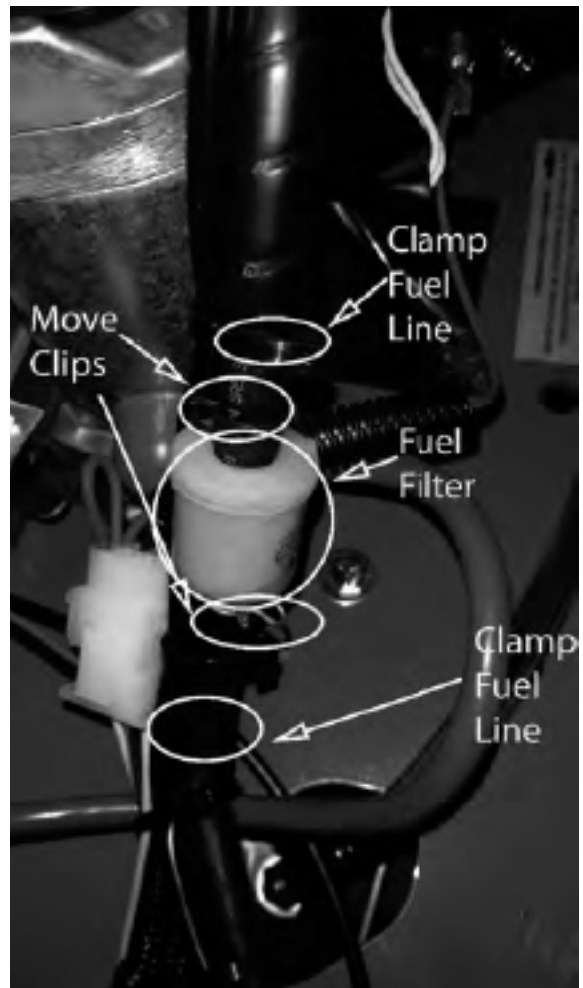
- G. Fuel Pump
- H. Fuel Filter
- I. Electric Starter
- J. Voltage Regulator

KAWASAKI FX751V (CONTINUED)

The fuel filter is located in the fuel line on the left side of the engine by the starter motor. Replace the filter yearly. Prior to the removal of the old filter, note the direction of fuel flow as indicated on the filter. Have towels readily available in order to quickly remove any fuel leakage. Always use new hose clamps and ensure the security of the new filter by lightly pulling on each hose. Always perform maintenance outdoors or in a well-ventilated area. Do not smoke or allow any open flames in the vicinity of any maintenance activities.

CHANGING YOUR FUEL FILTER

1. Locate your fuel filter and mark the direction it is facing.
2. Clamp each side of the fuel filter to minimize any gas spills.
3. Remove the claps from each side of the fuel filter and remove the filter.
4. Place the new fuel filter in the same direction as the old one and place the clips back into place and remove clamps.



The air cleaner is the engines only defense against damaging foreign particles. It is very important that the air cleaner element is inspected prior to each use. Remove the element and tap its sides in order to remove debris. Do not blow the filter out using compressed air. Doing so will greatly reduce the air cleaner's effectiveness. Replace yearly; more often in dusty environments. Adhering to these practices will help prevent loss of power and premature engine failure.

CHANGING THE AIR CLEANER

1. Locate the air filter and unbuckle the air filter cover.
2. Remove the cover and take out the outer white element and the inner blue element.
3. Clean or replace elements.
4. Reattach the cover making sure the air intake is facing down.

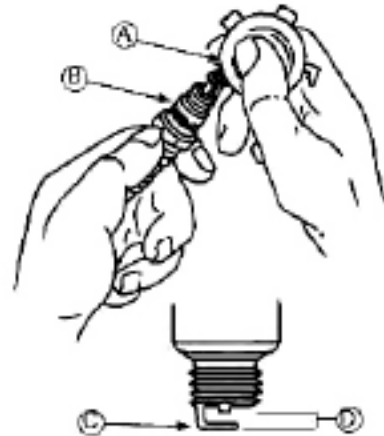




KAWASAKI FX751V (CONTINUED)

CHANGING THE SPARK PLUGS AND CHECKING THE SPARK PLUG GAP

1. Remove the wire on the spark plug and use a 13/16" socket to remove the spark plug.
2. Check the gap on the spark plug to verify that it is 0.03 in using a feeler gauge.
3. If the spark plug is worn, overheated, wet or carbon fouled replace the spark plug.
4. Install the plug into cylinder head and torque to 16 ft.-lbs. Be careful not to overtighten the spark plug.



A	Wire Gauge	B	Spark Plug
C	Ground Electrode	D	Gap

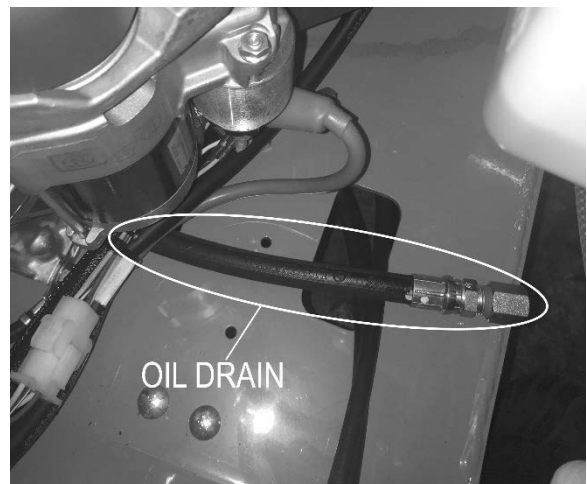
275 YAMAHA

This machine has an oil drain hose installed on the engine to allow for easier oil changes. Bad Boy recommends that the oil and filter be changed after the initial 8 hrs. of use, and at intervals of 50 usage hours or yearly, whichever occurs first after that. The oil capacity is 2 quarts. Bad Boy 10W-30 synthetic blend engine oil is recommended for maximum protection.



CHANGING YOUR ENGINE OIL AND OIL FILTER

1. Remove oil dipstick and open oil drain. Allow oil to completely drain. (Make sure to have an oil pan ready to capture old oil and properly dispose old oil.)
2. The oil filter is located on the right side of the engine. Clean area around oil filter. Place a container under the oil filter to capture any oil and remove filter. Wipe off mounting surface and reinstall drain plug. Torque to 10ft.-lb. Place new filter in shallow pan with open end up. Fill with new oil until oil reaches the bottom of the threads. Allow 2 minutes for oil to be absorbed by filter material.
3. Apply a thin film of clean oil to rubber gasket on new filter
4. Refer to instructions on oil filter for proper installation.
5. Fill crankcase with approximately 2 quarts of new oil. Level should top of indicator on dipstick.
6. Reinstall oil fill/dipstick and tighten securely.
7. Start engine; check for oil leaks. Stop Engine; correct oil leaks. Re-check oil level
8. Dispose of used oil and filter in accordance with local ordinances.



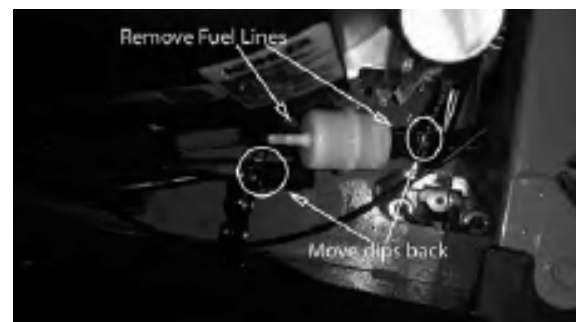


275 YAMAHA (CONTINUED)

The fuel filter is located in the fuel line about 12" from the carburetor on the side of the engine. Replace the filter yearly. Prior to the removal of the old filter, note the direction of fuel flow as indicated on the filter. Have towels readily available in order to quickly remove any fuel leakage. Always use new hose clamps and ensure the security of the new filter by lightly pulling on each hose. Always perform maintenance outdoors or in a well-ventilated area. Do not smoke or allow any open flames in the vicinity of any maintenance activities.

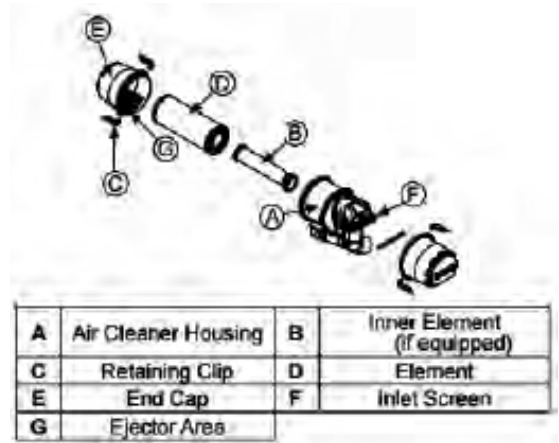
CHANGING YOUR FUEL FILTER

1. Locate your fuel filter and mark the direction it is facing.
2. Clamp each side of the fuel filter to minimize and gas spills.
3. Remove the clips from each side of the fuel filter and remove the fuel filter.
4. Place the new fuel filter in the same direction as the old and place clips back into place and remove clamps.



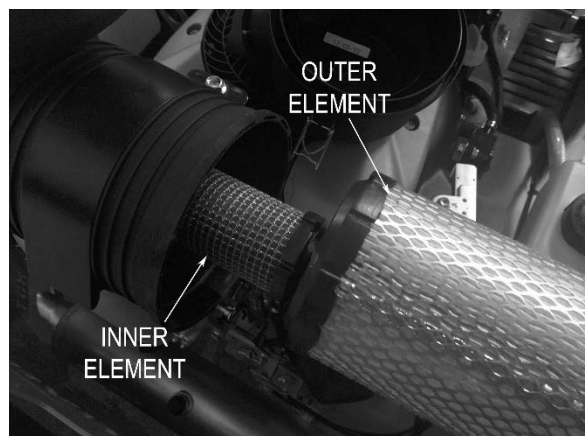
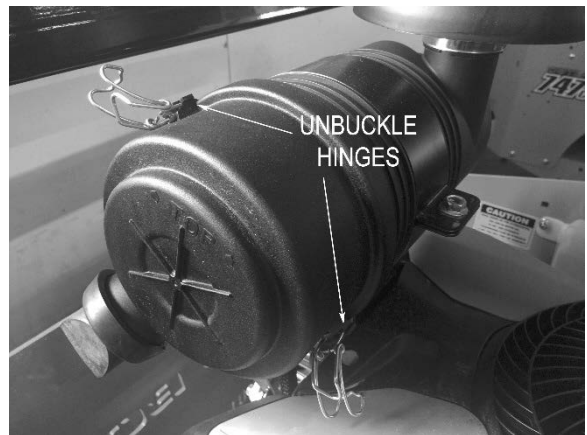
275 YAMAHA (CONTINUED)

The air cleaner is the engine's only defense against damaging foreign particles. It is very important that the air cleaner element is inspected prior to each use. Remove the element and tap its sides in order to remove debris. Do not blow the filter out using compressed air. Doing so will greatly reduce the air cleaner's effectiveness. Replace yearly; more often in dusty environments. Adhering to these practices will help prevent loss of power and premature engine failure.



CHANGING THE AIR CLEANER

1. Unlock the air cleaner cover and remove to access the air cleaner.
2. Remove the outer and inner air filters.
3. Replace inner and outer filter then place the inner filter into the air intake followed by fitting the outer filter over the inner filter.
4. Install onto base and place cover back on and lock into place.

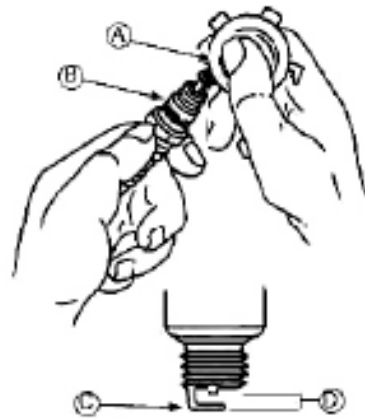




275 YAMAHA (CONTINUED)

CHANGING THE SPARK PLUGS AND CHECKING THE SPARK PLUG GAP

1. Remove the wire on the spark plug and use a 5/8" socket to remove the spark plug.
2. Check the gap on the spark plug to verify that it is 0.03 in using a feeler gauge.
3. If the spark plug is worn, overheated, wet or carbon fouled replace the spark plug. The Kohler Command Pro EFI ECV870 has a different spark plug than all other Kohlers. The part number is 015-8002-00.
4. Install the plug into cylinder head and torque to 20 ft.*lbs. Be careful not to overtighten the spark plug.



A	Wire Gauge	B	Spark Plug
C	Ground Electrode	D	Gap

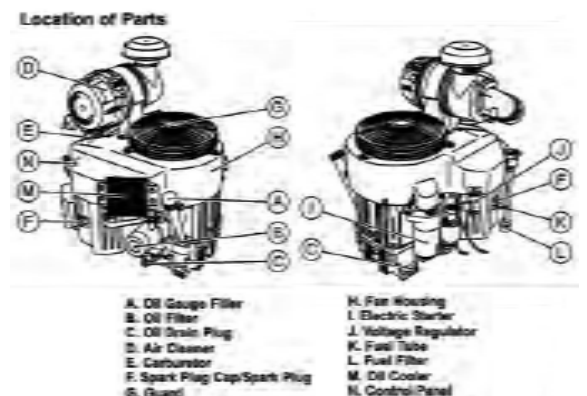
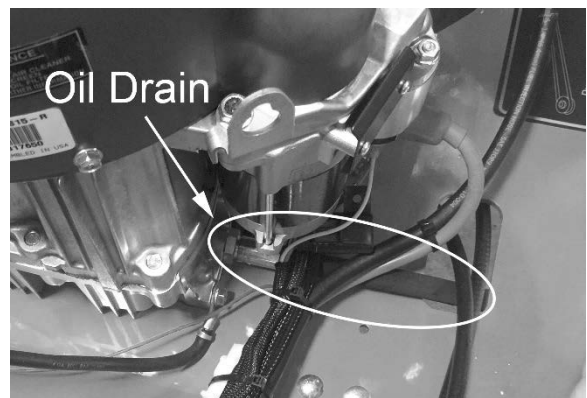
KAWASAKI FX850V

This machine has an oil drain hose installed on the engine to allow for easier oil changes. Bad Boy recommends that the oil and filter be changed after the initial 8 hrs. of use, and at intervals of 50 usage hours or yearly, whichever occurs first after that. The oil capacity is 2 quarts. Bad Boy 10W-30 synthetic blend engine oil is recommended for maximum protection.



CHANGING YOUR ENGINE OIL AND OIL FILTER

1. Remove oil dipstick and open oil drain using a 10 mm socket or a flat head screwdriver until oil begins flowing. Allow oil to completely drain. (Make sure to have an oil pan ready to capture old oil and properly dispose old oil.)
2. The oil filter is located on the right side of the engine. Clean area around oil filter. Place a container under the oil filter to capture any oil and remove filter. Wipe off mounting surface and reinstall drain plug. Torque to 10 ft.-lb.
3. Place new filter in shallow pan with open end up. Fill with new oil until oil reaches the bottom of the threads. Allow 2 minutes for oil to be absorbed by filter material.
4. Apply a thin film of clean oil to rubber gasket on new filter.
5. Refer to instructions on oil filter for proper installation.
6. Fill crankcase with approximately 2 quarts of new oil. Level should top of indicator on dipstick.
7. Reinstall oil fill/dipstick and tighten securely.
8. Start engine; check for oil leaks. Stop Engine; correct oil leaks. Recheck oil level.
9. Dispose of used oil and filter in accordance with local ordinances.

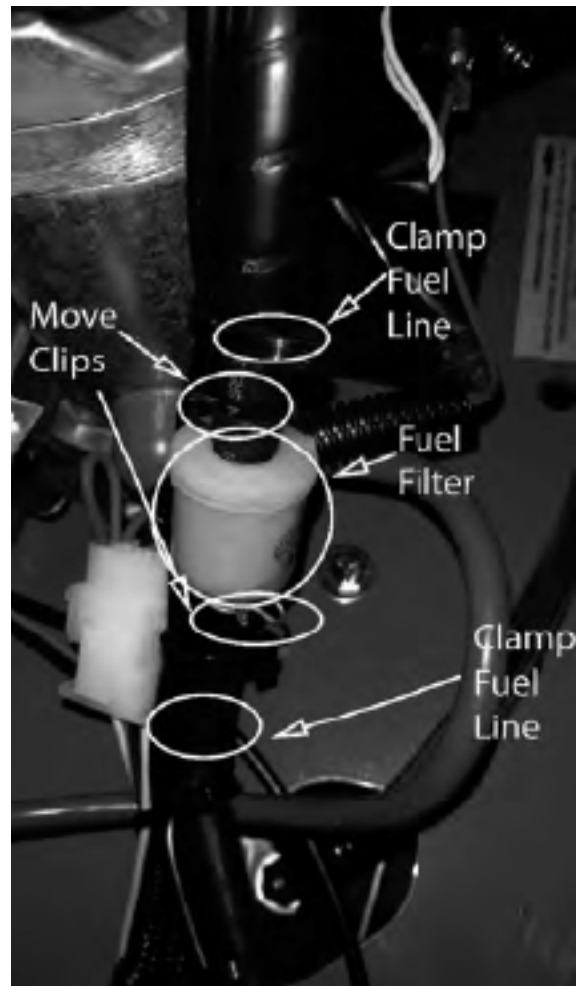


KAWASAKI FX850V (CONTINUED)

The fuel filter is located in the fuel line on the left side of the engine by the starter motor. Replace the filter yearly. Prior to the removal of the old filter, note the direction of fuel flow as indicated on the filter. Have towels readily available in order to quickly remove any fuel leakage. Always use new hose clamps and ensure the security of the new filter by lightly pulling on each hose. Always perform maintenance outdoors or in a well-ventilated area. Do not smoke or allow any open flames in the vicinity of any maintenance activities.

CHANGING YOUR FUEL FILTER

1. Locate your fuel filter and mark the direction it is facing.
2. Clamp each side of the fuel filter to minimize any gas spills.
3. Remove the clamps from each side of the fuel filter and remove the filter.
4. Place the new fuel filter in the same direction as the old one and place the clips back into place and remove clamps.



The air cleaner is the engine's only defense against damaging foreign particles. It is very important that the air cleaner element is inspected prior to each use. Remove the element and tap its sides in order to remove debris. Do not blow the filter out using compressed air. Doing so will greatly reduce the air cleaner's effectiveness. Replace yearly; more often in dusty environments. Adhering to these practices will help prevent loss of power and premature engine failure.

CHANGING THE AIR CLEANER

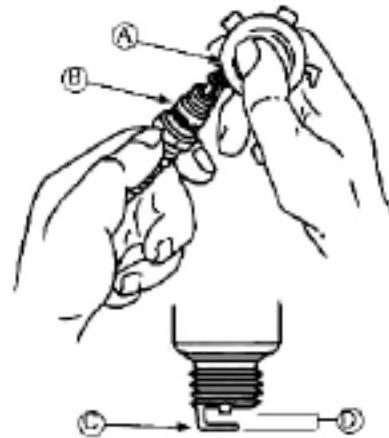
1. Locate the air filter and unbuckle the air filter cover.
2. Remove the cover and take out the outer white element and the inner blue element.
3. Clean or replace elements.
4. Reattach the cover making sure the air intake is facing down.



KAWASAKI FX850V (CONTINUED)

CHANGING THE SPARK PLUGS AND CHECKING THE SPARK PLUG GAP

1. Remove the wire on the spark plug and use a 13/16" socket to remove the spark plug.
2. Check the gap on the spark plug to verify that it is 0.03 in using a feeler gauge.
3. If the spark plug is worn, overheated, wet or carbon fouled replace the spark plug.
4. Install the plug into cylinder head and torque to 16 ft.-lbs. Be careful not to overtighten the spark plug.



A	Wire Gauge	B	Spark Plug
C	Ground Electrode	D	Gap



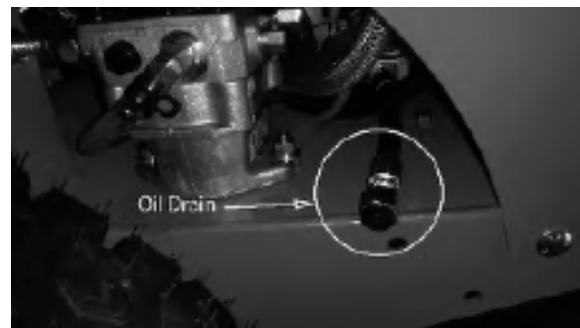
VANGUARD 993CC

This machine has an oil drain hose installed on the engine to allow for easier oil changes. Bad Boy recommends that the oil and filter be changed after the initial 8 hrs. of use, and at intervals of 50 usage hours or yearly, whichever occurs first after that. The oil capacity is 2 quarts. Bad Boy 10W-30 synthetic blend engine oil is recommended for maximum protection.



CHANGING YOUR ENGINE OIL AND OIL FILTER

1. Remove oil fill cap and open oil drain. Allow oil to completely drain. (Make sure to have an oil pan ready to capture old oil and properly dispose old oil.)
2. The oil filter is located on the right side of the engine. Clean area around oil filter. Place a container under the oil filter to capture any oil and remove filter. Wipe off mounting surface and reinstall drain plug. Torque to 10 ft.*lb.
3. Place new filter in shallow pan with open end up. Fill with new oil until oil reaches the bottom of the threads. Allow 2 minutes for oil to be absorbed by filter material.
4. Apply a thin film of clean oil to rubber gasket on new filter
5. Refer to instructions on oil filter for proper installation.
6. Fill crankcase with approximately 2 quarts of new oil. Level should top of indicator on dipstick.
7. Reinstall oil fill/dipstick and tighten securely.
8. Start engine; check for oil leaks. Stop Engine; correct oil leaks. Recheck oil level
9. Dispose of used oil and filter in accordance with local ordinances.

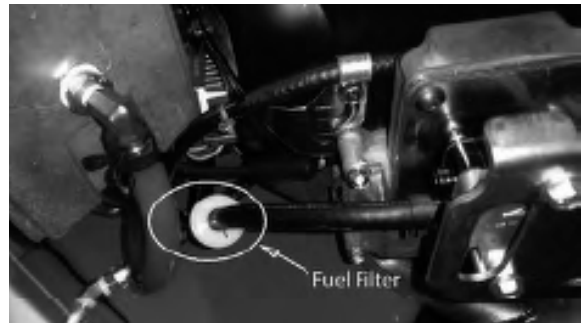


VANGUARD 993CC (CONTINUED)

The fuel filter is located in the fuel line about 12" from the carburetor on the side of the engine. Replace the filter yearly. Prior to the removal of the old filter, note the direction of fuel flow as indicated on the filter. Have towels readily available in order to quickly remove any fuel leakage. Always use new hose clamps and ensure the security of the new filter by lightly pulling on each hose. Always perform maintenance outdoors or in a well-ventilated area. Do not smoke or allow any open flames in the vicinity of any maintenance activities.

CHANGING YOUR FUEL FILTER

1. Locate your fuel filter and mark the direction it is facing.
2. Clamp each side of the fuel filter to minimize and gas spills.
3. Remove the clips from each side of the fuel filter and remove the fuel filter.
4. Place the new fuel filter in the same direction as the old and place clips back into place and remove clamps.

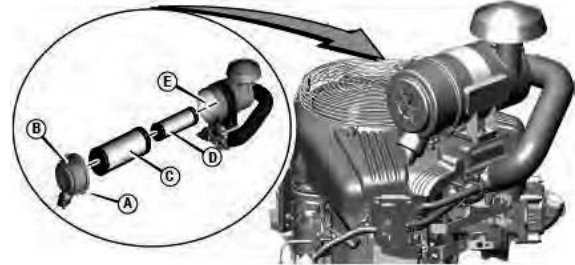




VANGUARD 993CC (CONTINUED)

The air cleaner is the engine's only defense against damaging foreign particles. It is very important that the air cleaner element is inspected prior to each use. Remove the element and tap its sides in order to remove debris. Do not blow the filter out using compressed air. Doing so will greatly reduce the air cleaner's effectiveness. Replace yearly; more often in dusty environments. Adhering to these practices will help prevent loss of power and premature engine failure.

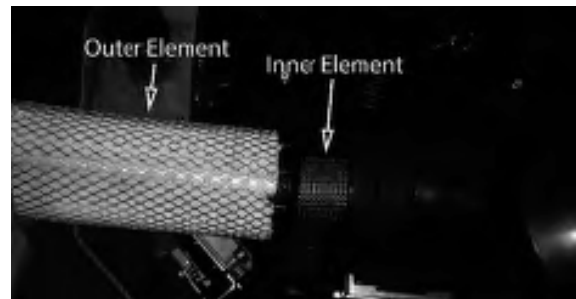
993 Vanguard Air Cleaner Component List



- A. Latches
- B. Cap
- C. Outer Air Filter
- D. Inner Air Filter
- E. Air Intake

CHANGING YOUR AIR CLEANER

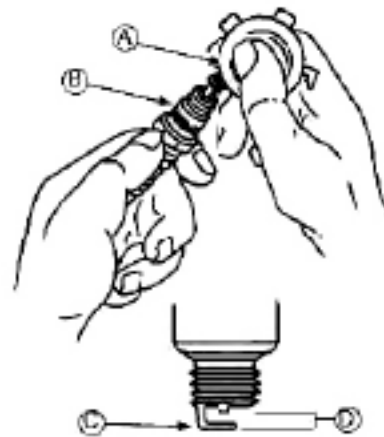
1. Unlock the air cleaner cover and remove to access the air cleaner.
2. Remove the outer and inner air filters.
3. Replace inner and outer filter then place the inner filter into the air intake followed by fitting the outer filter over the inner filter.
4. Place cap back on and close the latches.



VANGUARD 993CC (CONTINUED)

CHANGING THE SPARK PLUGS AND CHECKING THE SPARK PLUG GAP

1. Remove the wire on the spark plug and use a 5/8" socket to remove the spark plug.
2. Check the gap on the spark plug to verify that it is 0.03 in using a feeler gauge.
3. If the spark plug is worn, overheated, wet, or carbon fouled replace the spark plug.
4. Install the plug into cylinder head and torque to 20ft.-lbs. Be careful not to overtighten the spark plug.

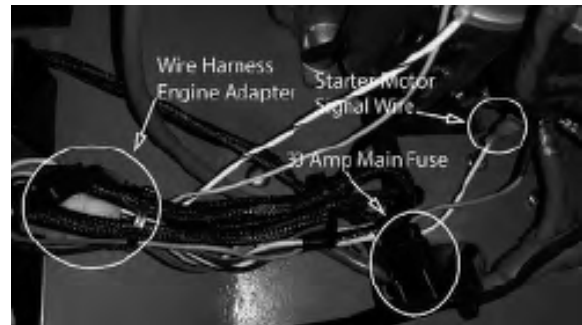


A	Wire Gauge	B	Spark Plug
C	Ground Electrode	D	Gap



SECTION 4: ELECTRICAL SYSTEM

This mower is equipped with one protective fuse: a 30-amp main fuse (pictured to the right).

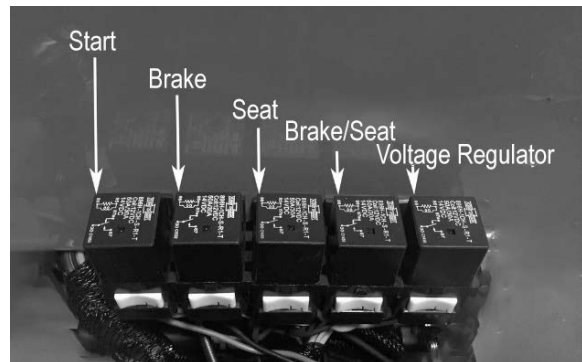


A blown fuse usually indicates a problem within the electrical system or an electrical component. Ensure the battery terminals are tightly fastened. Never replace a fuse with one of a higher amperage rating or 'bypass' a fuse in any way. Doing so creates a significant fire hazard and can cause severe damage to the mowers electrical components. If a fuse is repeatedly blowing, contact your Bad Boy dealer.

On most models, the red wire coming out of the engine is the charging wire from the alternator. Check for 13.6 - 14.2 volts dc at this wire with engine at full throttle.



If you are having issues starting your mower ensure the signal wire is connected to your starter solenoid.

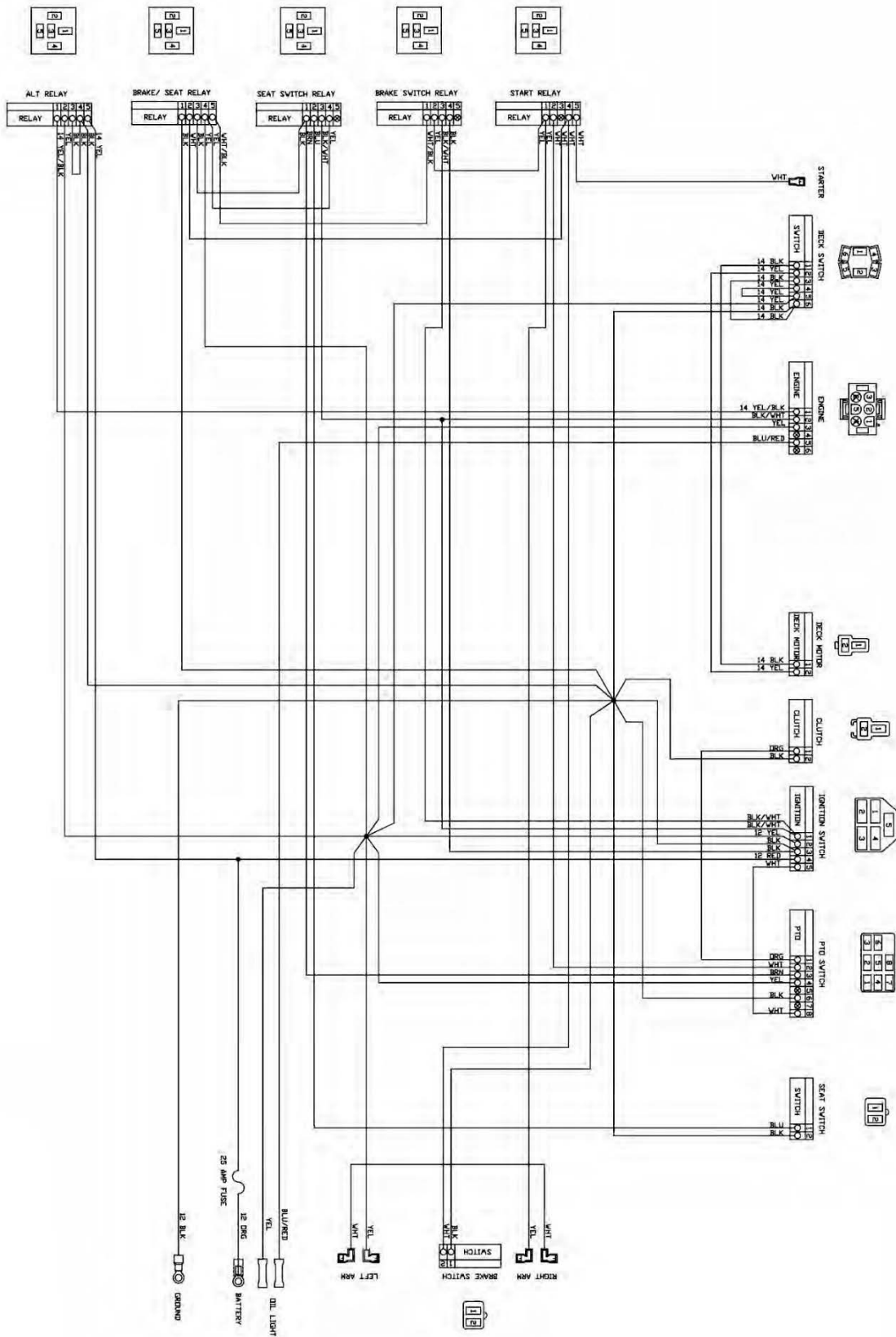


Check the condition and connection of the relays located under the control panel. Ensure that they are clean and connected. Make sure that wire terminal ends have not been pushed out of the relay block.



ELECTRICAL SYSTEM (CONTINUED)

WIRING DIAGRAM



ALL WIRES 16GA UNLESS NOTED OTHERWISE.



SECTION 5: FRAME

The front fork nuts require a torque of 40ft-lbs. While applying this torque, turn the fork itself to ensure no damage is done to the bearing. This operation is only necessary if a repair requires it.



Torque rear wheel lugs to 65-75 ft. lbs. Re-torque at every oil change and check at every mowing.



There are two grease zerks located on each of the two turnbuckles (4 Total). Grease at every oil change.

The pump belt tensioner is located under the engine and has a grease fitting at its pivot point. Grease at every engine oil change.



The deck belt tensioner is located at the rear of the deck and has a grease fitting on its pivot point. Grease at every engine oil change.



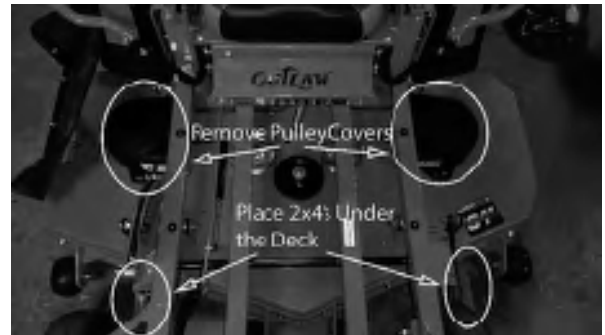
The control arm blocks have grease fittings located on the top of each block. Grease one time a year.



SECTION 6: CUTTING DECK

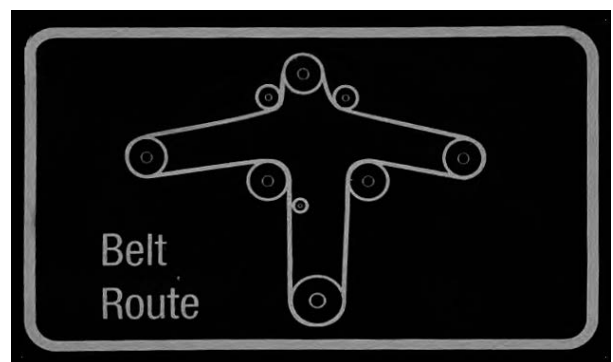
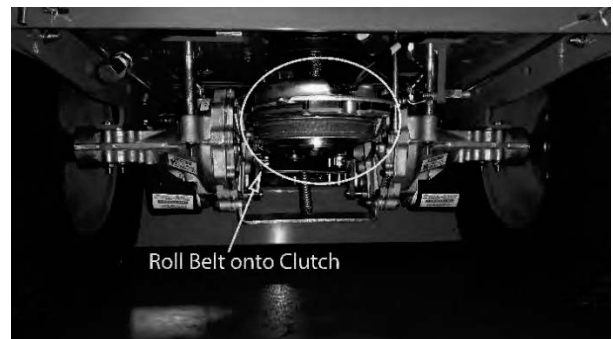
DECK BELT REMOVAL

1. Use proper safety precaution when performing procedures.
2. Raise the deck to its highest position.
3. Remove the right pulley cover.
4. While lifting up on the belt (as shown in the photograph), rotate the pulley until the belt is free of the pulley. Exercise caution while performing this step as fingers can easily become caught between the belt and pulley.



DECK BELT INSTALLATION

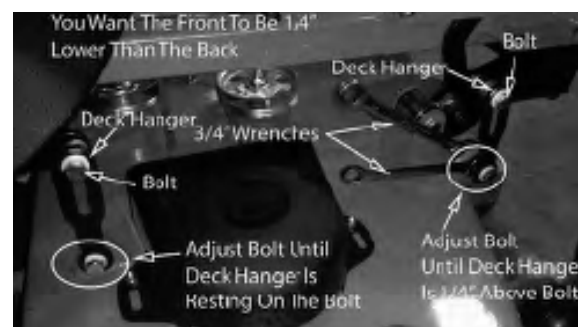
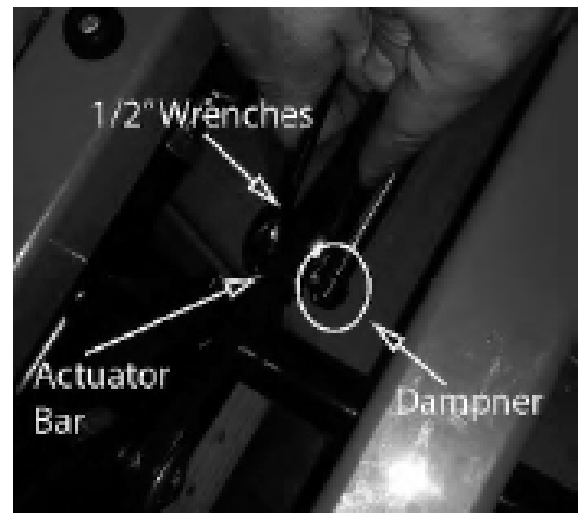
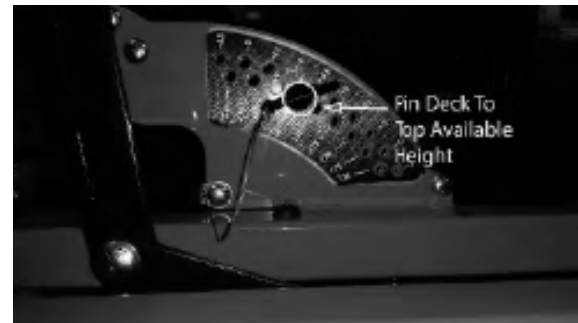
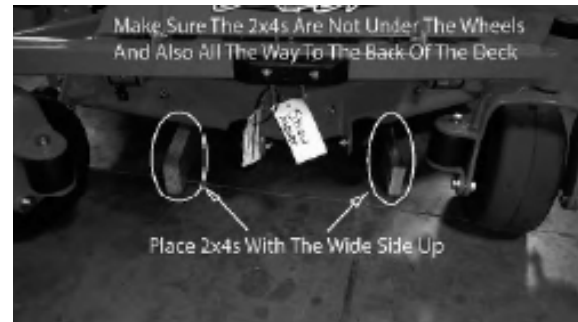
1. Use proper safety precaution when performing procedures.
2. Raise the deck to its highest position.
3. Take off both pulley covers and route the belt by following the belt route decal. (The easiest way to finish running the belt is routing the belt through the deck pulleys and carefully slipping the belt onto the clutch in the rear of the engine.)
4. Verify that the belt is routed properly as improper routing can damage the spindles as well as the engine.





LEVELING THE DECK

1. Start on a flat level surface and set the air pressure in all four tires to 12 psi. Measure the deck at all four corners. The deck should be level from left to right but 1/4" lower in the front than in the rear. adjustments can be made by adjusting the deck hangers in their slots.
2. Using a pair of approximately 3 ft. long 2x4's, stand the boards on edge and slide them under the deck from front to back as shown.
3. Remove the foot pedal and raise the floor plate. Remove one end of the deck lift spring assist dampener using a pair of 1/2" wrenches as shown
4. Lower the deck down onto the 2x4's and install the deck height pin into its highest available hole. This should be relatively close to the width of the 2x4 boards.
5. Using a pair of 3/4" wrenches, loosen all deck hanger bolts on the top of the deck. These are the lower bolts in the slots of the deck as shown. Do not loosen the upper bolts that attach the deck hangers to the actuator lift bars.
6. The deck is now loose from the frame and movement of the lift pedal should only move the hanger bolts up and down in the deck slots. at this point a different deck height adjustment pin location may be chosen. choosing a lower number will raise the decks cutting height. choosing a higher number will decrease the decks overall cutting height. Remember, you should be approximately in the 3.5" range on your selection.
7. You may now tighten all of the deck hanger bolts in the deck slots starting with the rear first, then the front. Lift the deck to the highest position. measure all four corners of the deck again to ensure that no further adjustments are necessary. reattach the deck lift assist dampener with the pedal pressed to its maximum travel. this may require assistance from another person to achieve.
8. Close the floor plate and reattach the foot pedal. check belt tension before mowing.



ADJUST DECK BELT TENSION

The deck spring tension is critical. If the tension is too high, premature failure of the deck belt and blade spindles can occur. If the tension is too low, the belt can "jump off" or slip on the pulleys. This results in reduced cut quality and early belt failure.

Spring tension adjustments can be made by sliding the bolt shown above forward or backward in the slot of the deck. Belt tension should be 60-65 lbs. with the deck at its lowest setting.

Use a belt tension gauge to ensure the proper tension. Your dealer or service center will have a belt tension gauge or you can buy one from the Bad Boy Parts Department by calling 866-622-3269 and asking for the Parts Department. (Part Number 041-9999-00).

BLADE SHARPENING

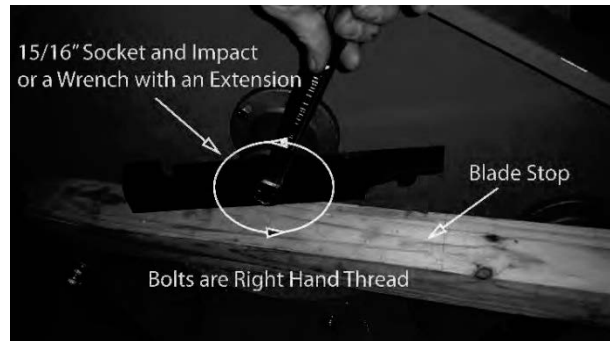
The blade on the top (see photo) was utilized long after replacement was required. In addition to a decline in cut quality, failure to replace a worn or damaged blade creates a major safety hazard. Bad Boy recommends that blade sharpening be performed by a professional.





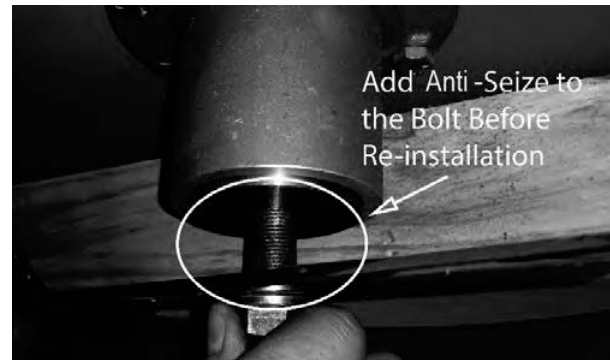
BLADE REMOVAL

To change blades, it may be easier to use a piece of wood to keep the blade from turning so that the bolt can be loosened. Use a 15/16" socket and impact drill, or a wrench and an extension to gain more leverage. You might need to put a 3/4" wrench on top of the pulley bolt to keep the blade from spinning. Bolts used have right-handed threads.



Re-torque the blade bolts to 90-110 lbs.

The blade spindles contain a sealed ball bearing inside the top and bottom of the spindle. The bearings are replaceable for a more cost-effective repair.

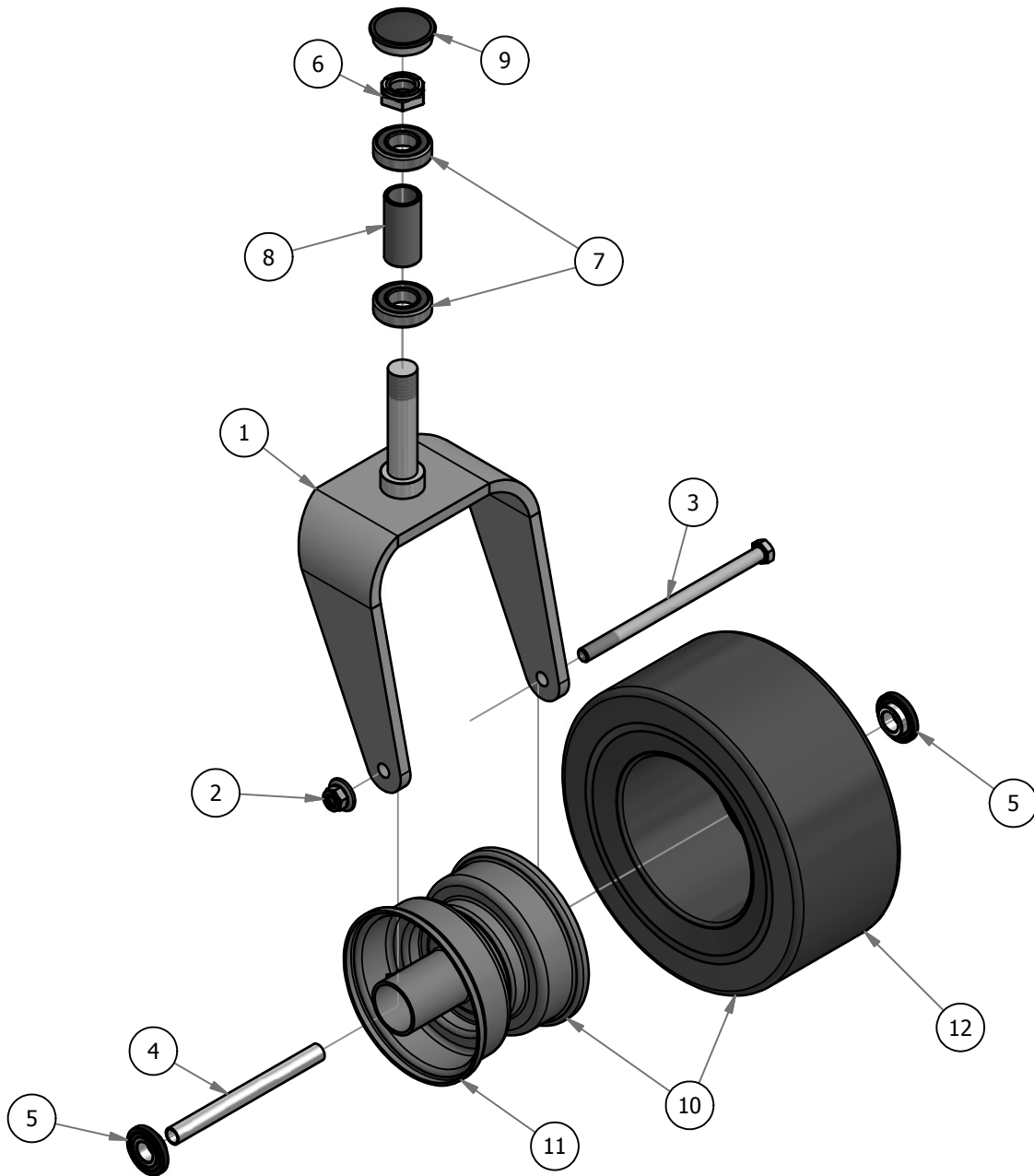






PARTS SECTION: OUTLAW FORK ASSEMBLY

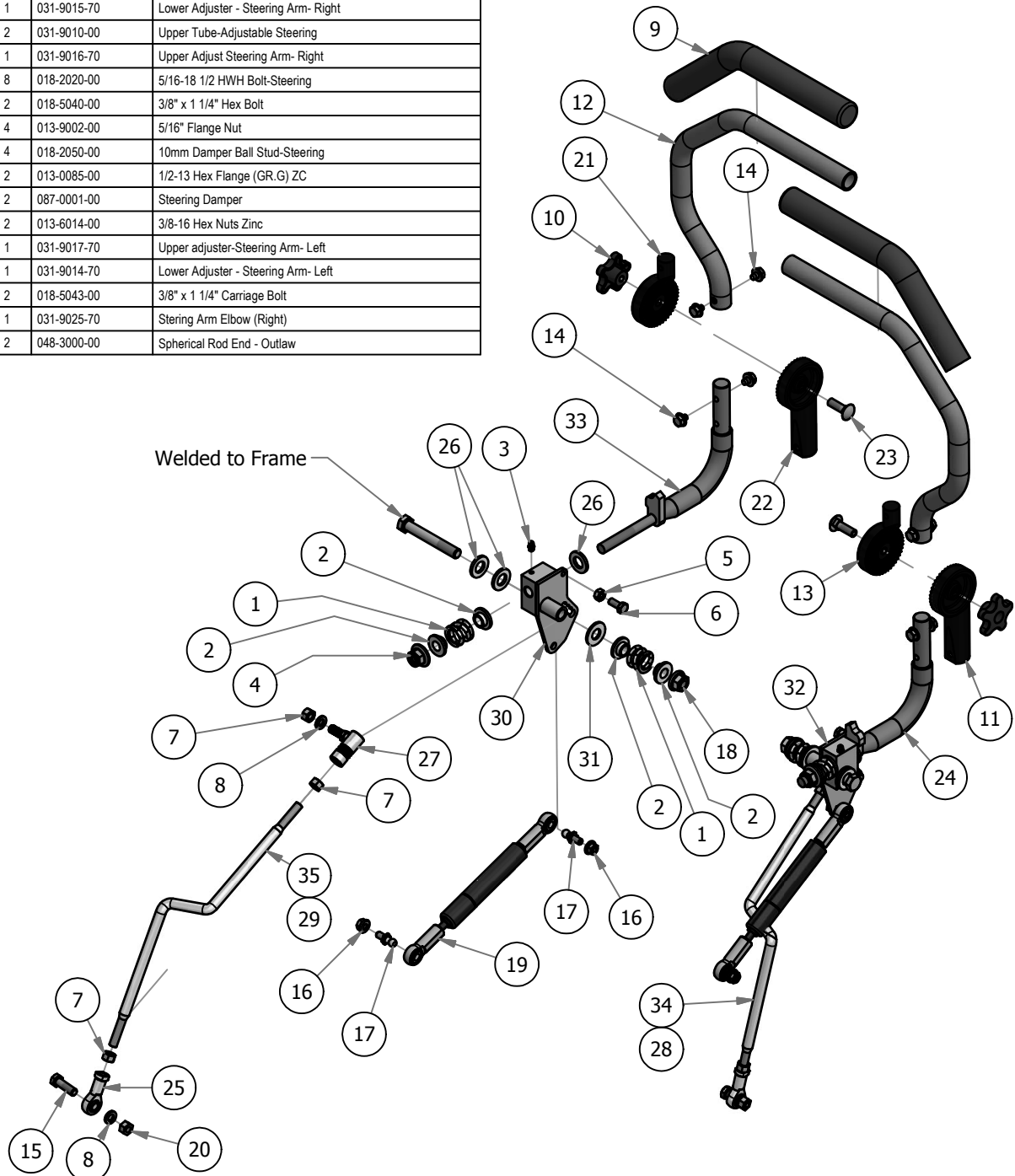
Parts List				Parts List			
ITEM	QTY	PART NUMBER	DESCRIPTION	ITEM	QTY	PART NUMBER	DESCRIPTION
1	1	023-7913-00	Front Fork	7	2	010-1050-00	Caster Bearing 2016 - 1641 Bearing
2	1	013-8050-00	1/2-13 Nylon Flange Nut	8	1	025-0003-00	2016 Front Bearing Spacer
3	1	018-7010-00	1/2" x 9" GR 5 Hex Bolt	9	1	014-2025-00	2017 Bearing Cover
4	1	025-5202-00	Front Wheel Spanner	10	1	022-3085-00	Tire and black wheel assembly
5	2	022-7010-00	1-3/4" Bearing-Large Bore Front Rim	11	1	022-3090-00	6" Front Black Wheel
6	1	013-9004-00	1" Fine Thread 1/2 Nylock Nut	12	1	022-5347-00	13 x 6.50 - Tire





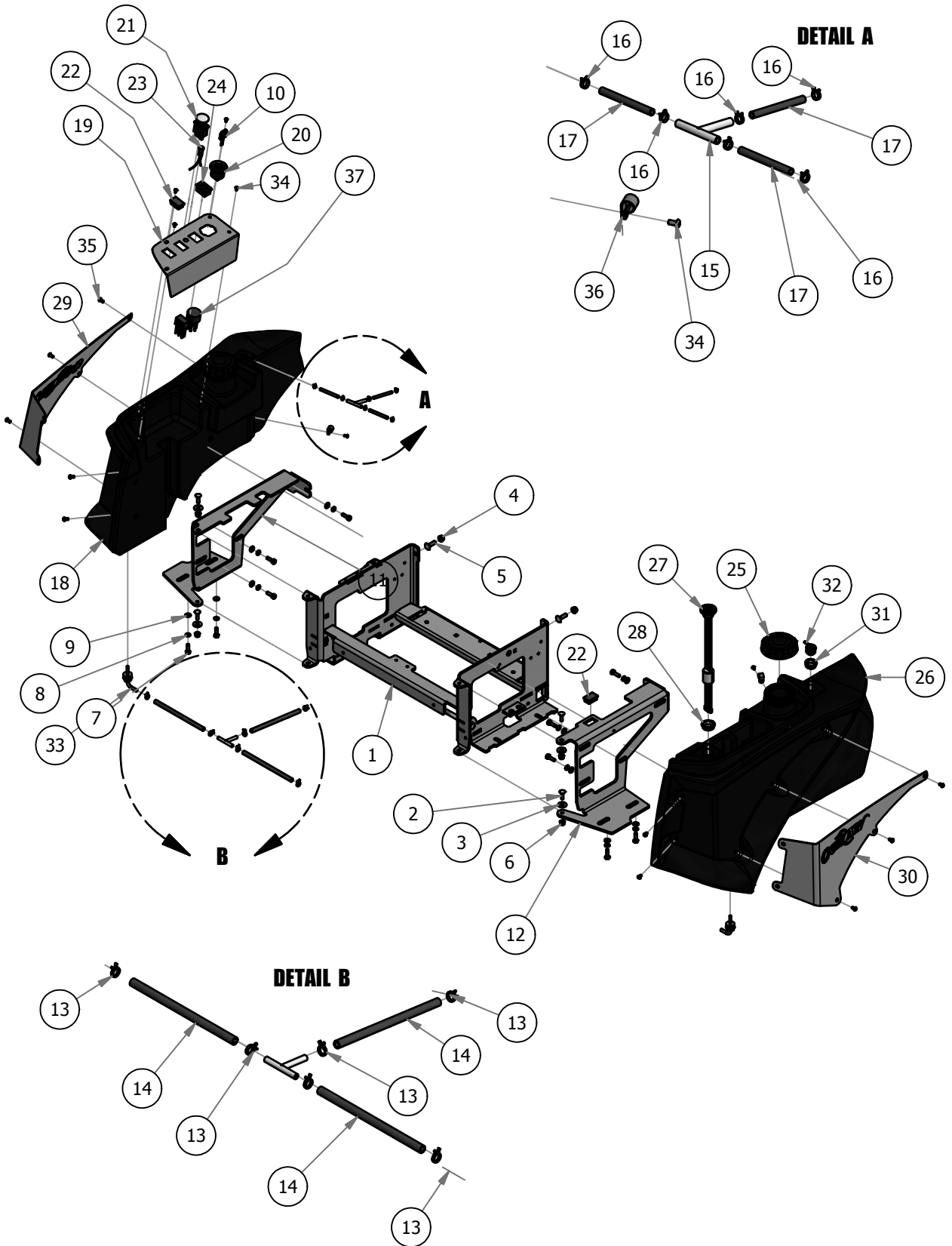
PARTS SECTION: OUTLAW DRIVE ARMS

Parts List				Parts List			
ITEM	QTY	PART NUMBER	DESCRIPTION	ITEM	QTY	PART NUMBER	DESCRIPTION
1	4	034-8025-00	Drive Lever Spring	26	6	019-6017-00	.630 ID Plastic Washer
2	8	019-8027-00	.515 ID Nylon Shoulder Washer	27	2	099-2009-00	Quick Release Ball Joint
3	2	024-6034-00	1/4" Press in Grease Fitting	28	1	035-2110-00	Push Rod for Outlaw - Right
4	2	013-8050-00	1/2-13 Nylon Flange Nut	29	1	035-2100-00	Push Rod for Outlaw - Left
5	2	013-8043-00	5/16" Nut	30	1	031-0017-98	2017 Drive Lever Housing - Left
6	2	018-8063-00	5/16" x 3/4" Hex Bolt	31	2	019-5702-00	1/2" Washer (Grade 8)
7	6	013-6051-00	3/8" Fine Threaded Jam Nut	32	1	031-0018-98	2017 Drive Lever Housing - Right
8	4	019-5037-00	3/8" Lock Washer	33	1	031-9020-70	Stering Arm Elbow (Left)
9	2	069-4010-00	Black Steering Grip	34	1	035-0075-00	2015 Base Outlaw Push Rod - Right
10	2	045-5000-00	Black Knob for Adjustable Steering Arm	35	1	035-0050-00	2015 Base Outlaw Push Rod - Left
11	1	031-9015-70	Lower Adjuster - Steering Arm- Right				
12	2	031-9010-00	Upper Tube-Adjustable Steering				
13	1	031-9016-70	Upper Adjust Steering Arm- Right				
14	8	018-2020-00	5/16-18 1/2 HWH Bolt-Steering				
15	2	018-5040-00	3/8" x 1 1/4" Hex Bolt				
16	4	013-9002-00	5/16" Flange Nut				
17	4	018-2050-00	10mm Damper Ball Stud-Steering				
18	2	013-0085-00	1/2-13 Hex Flange (GR.G) ZC				
19	2	087-0001-00	Steering Damper				
20	2	013-6014-00	3/8-16 Hex Nuts Zinc				
21	1	031-9017-70	Upper adjuster-Steering Arm- Left				
22	1	031-9014-70	Lower Adjuster - Steering Arm- Left				
23	2	018-5043-00	3/8" x 1 1/4" Carriage Bolt				
24	1	031-9025-70	Stering Arm Elbow (Right)				
25	2	048-3000-00	Spherical Rod End - Outlaw				





PARTS SECTION: OUTLAW GAS TANK ASSEMBLIES





PARTS SECTION: OUTLAW GAS TANK ASSEMBLIES

Parts List			
ITEM	QTY	PART NUMBER	DESCRIPTION
1	1	080-5116-17	2017 Outlaw Seat Bracket
2	4	018-8065-00	5/16-18 x 1 Carriage Bolts Zinc
3	4	019-6042-00	.360 ID Plastic Washer
4	2	013-5202-00	3/8" Nylock Flange Nut
5	2	018-5043-00	3/8" x 1 1/4" Carriage Bolt
6	4	013-8049-00	5/16-18 Nylon Insert Flange Nut Zinc Orange Nylon
7	10	018-2007-00	5/16" x 1" Bolt
8	10	019-8051-00	5/16" Lock Washer
9	10	019-8044-00	5/16" Flat Washer
10	1	042-9000-00	Ignition Key
11	1	031-2040-00	Outlaw 2015 Tank Support (Right)
12	1	031-2045-00	Outlaw 2016 Tank Support (Left)
13	6	072-8069-00	1/4 Fuel Hose Clamp
14	3	051-8067-00	1/4" Fuel Line Hose
15	2	073-8068-00	fuel line T
16	6	072-8070-00	3/16 Vinyl Clamp
17	3	051-8072-00	1/4" Vinyl Tubing
18	1	067-1180-50	Outlaw 2015 Fuel Tank (Right)
19	1	079-3360-00	Analog Control Panel Outlaw
20	1	077-8076-00	Ignition Switch
21	1	056-8058-00	PTO Switch
22	2	018-1040-00	Light Plug
23	1	089-1000-00	Oil Light
24	1	083-4013-00	Tachometer
25	2	066-8076-00	Fuel Cap (Kelch)
26	1	067-1190-50	Outlaw 2015 Fuel Tank (Left)
27	1	067-4080-00	Fuel Gauge w/Grommet
28	1	067-6054-00	Grommet for Fuel Gauge
29	1	079-3280-00	Outlaw Tank Panel (Right)
30	1	079-3281-00	Outlaw Tank Panel (Left)
31	2	067-6054-00	ROV Grommet
32	2	067-6070-00	Rollover Valve - Black
33	2	067-6055-00	Fuel Tank Hose Nipple w/Filter
34	6	018-2010-00	10-32 x 3/8" Button Socket Head Bolt
35	10	018-2012-00	1/4" x 1/2" BS C/S 18-8 SS
36	2	072-0001-00	3/8 Cable Clamp-Black Nylon
37	1	086-2050-00	Wiring Harness



PARTS SECTION: OUTLAW SEAT ASSEMBLY

Parts List				Parts List			
ITEM	QTY	PART NUMBER	DESCRIPTION	ITEM	QTY	PART NUMBER	DESCRIPTION
1	1	080-5116-17	2017 Outlaw Seat Bracket	35	1	069-1000-00	Brake Handle Cam Over
2	1	014-2100-00	Outlaw Cooler Cover	36	1	069-7000-00	Rubber Brake Grip-cZT/ZT 2013
3	1	026-2016-00	2016 Seat Plate Outlaw	37	1	032-5053-00	Bronze Bushing SF-1220-8
4	10	018-8065-00	5/16-18 x 1 Carriage Bolts Zinc	38	1	013-0009-00	3/8-16 Hex Flange Top L/N
5	8	019-6042-00	.360 ID Plastic Washer	39	1	031-2045-00	Outlaw 2016 Tank Support (Left)
6	10	013-5202-00	3/8" Nylock Flange Nut	40	1	031-2040-00	Outlaw 2015 Tank Support (Right)
7	2	018-5043-00	3/8" x 1 1/4" Carriage Bolt	41	1	014-2000-00	Black Plug - 5/8" Head (EFI Engines Only)
8	4	030-7042-00	5/16 x 3/4 washer head type F screw	42	1	018-2007-00	5/16" x 1" Bolt
9	14	013-8049-00	5/16" Nylock Flange Nut Zinc	43	4	018-1010-00	3/8-16x3-1/2 grade 5 hex bolt
10	1	071-5060-00	2015 Outlaw Seat (Extreme Outlaw Only)	44	1	025-0001-00	2015 Brake Lever Spacer
11	4	013-9002-00	5/16" Flange Nut	45	1	018-4706-00	3/8 x 1 1/2 Carriage Bolt
12	1	036-5300-00	Seat Switch Adapter	46	2	034-8045-00	Seat Spring
13	1	064-8081-00	Seat Cable	47	2	018-5040-00	3/8" x 1 1/4" Hex Bolt
14	3	077-8073-00	Safety Switch	48	2	019-5037-00	3/8" Lock Washer
15	4	018-8058-00	10-24 x 1 BS C/S 18-8 SS	49	2	013-6014-00	3/8" Hex Nut
16	6	013-5019-00	10-24 Nylon Insert Locknut	50	2	014-8047-00	Spring Cap Cover
17	2	025-6041-00	Switch Block Plastic	51	2	034-1025-00	Brake Spring
18	2	064-8056-00	Long Brake Cable	52	1	028-0085-00	Seat Latch Rod Assembly 2016 Models
19	1	054-8017-00	Choke	53	1	055-2013-00	Throttle Knob
20	1	013-6051-00	3/8" Fine Threaded Jam Nut	54	1	071-5055-00	2016 Outlaw Seat (Base Outlaw Only)
21	2	018-0009-00	3/8 x 1 3/4 Carriage Bolt	55	1	055-8021-75	Outlaw Throttle Cable (Cable Only)
22	1	055-2012-00	Universal Throttle	56	1	071-5056-00	Base Outlaw Seat Arm Left
23	2	018-5200-00	10-24 X 5/8 BS Button Head Bolt	57	1	071-5057-00	Base Outlaw Seat Arm Right
24	2	018-4700-00	3/8-16x3 grade 5 hex bolt	58	1	071-2020-50	Base Outlaw Seat Rails (Pair)
25	9	019-5029-00	3/8" Flat Washer	59	1	071-5063-00	Extreme/XP Outlaw Seat Cushion - Bottom
26	2	018-0024-00	M6-1.0 X 16MM Hex Bolt	60	1	071-5064-00	Extreme/XP Outlaw Seat Cushion - Back
27	1	067-0020-00	Carbon Canister	61	1	071-5062-00	Extreme/XP Outlaw Seat Arm Pads Only (Pair)
28	1	051-8072-00	1/4" Vinyl Tubing	62	1	071-5061-00	Extreme/XP Outlaw Seat Arm Rest (Pair)
29	1	051-8073-00	3/16 Vinyl Tubing	63	1	071-5015-00	Extreme/XP Outlaw Seat Rails (Pair)
30	2	072-8073-00	3/16" Vinyl Hose Clamp	64	1	071-8061-00	Seat Switch
31	2	072-8070-00	3/16 Vinyl Clamp	65	1	054-8016-00	FX850 & FX730 Kawasaki Choke Cable
32	1	039-0150-00	Brake Cable Adapter Bracket	66	1	071-5058-00	Back Seat Cover (Base Outlaw)
33	2	018-1080-00	12-24x 1/2 HWH Bolt	67	1	071-5059-00	Bottom Seat Cover (Base Outlaw)
34	2	013-9005-00	5/16-18 Nylock Jam Nut 1/2 Nut	68	1	071-2013-00	Seat Belt Kit (Not Shown)

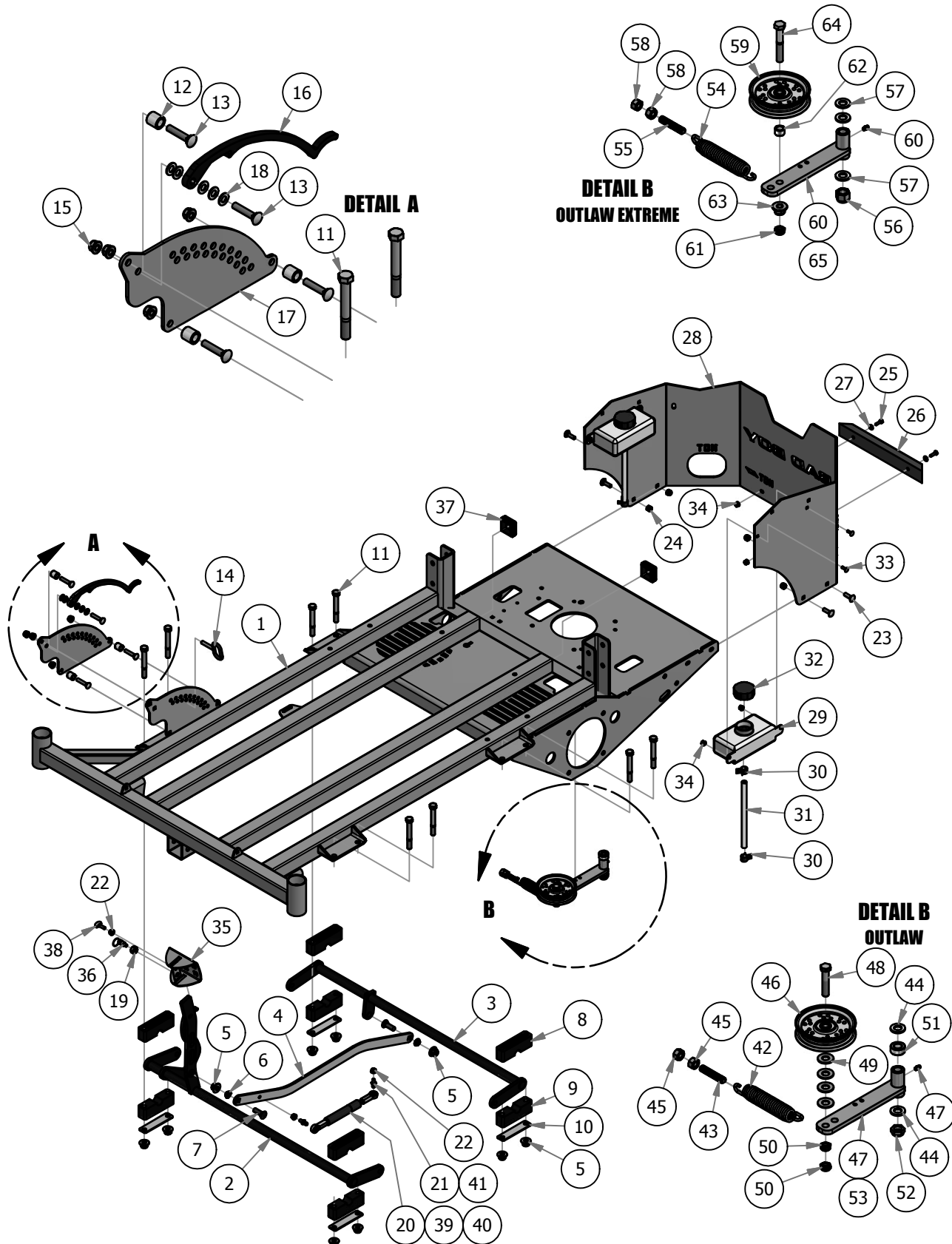


PARTS SECTION: OUTLAW FLOORBOARD & BATTERY

Parts List			
ITEM	QTY	PART NUMBER	DESCRIPTION
1	1	070-5370-17	2017 Standard/Extreme Outlaw Frame
2	6	013-8049-00	5/16" Nylock Flange Nut Zinc
3	6	018-8065-00	5/16" x 1" Carriage Bolt
4	2	019-6042-00	.360 ID Plastic Washer
5	6	030-3050-00	#10 x 1/2" Self Tapping Screw
6	6	029-4010-00	Button Bumper
7	1	029-7038-00	8" Rubber Bumper
8	2	030-7039-00	1/4" x 1 1/2" Self Tapping Screw
9	2	019-7040-00	1/4" Flat Washer
10	1	039-2113-00	Outlaw Brake Cable Mount Bracket (Right)
11	1	039-2110-00	Outlaw Brake Cable Mounting Bracket (left)
12	2 (4 Kohler Engine)	013-9001-00	1/4-20 Hex Flange Nuts Zinc w/Serrations
13	2 (4 Kohler Engine)	018-8052-00	1/4-20 x 3/4 GR 5 Hex Bolts Zinc
14	1	086-0003-00	Red Battery Cable Alternator to Starter Cable (Kohler Engine Only)
15	1	064-5301-00	12 in red battery cable
16	1	068-8049-00	Battery
17	2	103-5400-00	Black Boot For Ground Cable
18	1 (3 Kohler Engine)	103-5300-00	Red Boot
19	1	043-8929-00	Hold Down Assembly
19.1	1	043-8929-00	Battery Hold Down
19.2	2	018-8050-00	1/4"-20 x 8" Carriage Bolt
19.3	2	013-8051-00	1/4" Wing Nut
20	1	086-0005-00	Ground Cable
21	1	089-0002-00	2015 Outlaw 2x2 Folding ROPS
22	4	013-0005-00	1/2" Center Lock Nut
23	4	018-0050-00	1/2-13 X 3.25 Hex Bolt - Grade 5
24	1	079-3130-00	2016 Outlaw Floor Panel
25	1	081-2050-00	Outlaw Floor Mat
26	12	040-6080-00	Ratchet Fastener
27	1	108-0001-00	Solenoid (Kohler Engine Only)
28	1	018-8064-00	1/4" x 5/8" BS C/S 18-8 SS
29	1	064-2006-00	Floor board Cable W/ Swivel Ends
30	1	013-8039-00	1/4" Hex Nut



PARTS SECTION: OUTLAW ACTUATOR BAR & REAR COVER





PARTS SECTION: OUTLAW ACTUATOR BAR & REAR COVER

Parts List				Parts List			
ITEM	QTY	PART NUMBER	DESCRIPTION	ITEM	QTY	PART NUMBER	DESCRIPTION
1	1	070-5370-17	2017 Standard/Extreme Outlaw Frame	22	3	013-9002-00	5/16" Flange Nut
2	1	028-6030-00	2015 Outlaw Act Bar Assembly (Front)	23	4	018-5043-00	3/8" x 1 1/4" Carriage Bolt
3	1	028-6040-00	2015 Outlaw Act Bar Assembly (Rear)	24	4	013-5041-00	3/8 Nylock Nut
4	1	028-6050-00	Outlaw Deck Linkage Rod	25	2	018-4702-00	1/4-20 x 1-1/4 GR 5 Hex Bolt
5	10	013-8050-00	1/2-13 Nylon Flange Nut	26	1	029-7037-00	14" Rubber Bumper
6	2	032-3000-00	Bushing- SF-1620-4	27	2	019-7040-00	1/4" Flat Washer
7	2	018-0008-00	1/2 x 1-1/2 Carriage Bolt	28	1	026-2190-00	Outlaw Rear Plate
8	4	017-9000-00	Two Piece Pillow Block (Male)	29	2	067-8085-00	Expansion Tank Outlaw
9	4	017-9050-00	Two Piece Pillow Block (Female)	30	4	072-8074-00	5/8 Wire Clamp-Outlaw Only
10	4	017-9025-00	Two Piece Pillow Block Strap	31	2	051-9000-00	5/8 Braided Hose
11	8	018-5019-00	1/2" x 4" Bolt (Grade 8)	32	2	066-5050-00	Hydraulic Tank Cap
12	3	025-5203-00	Spacer 3/4 OD x 1/2 ID x 3/4 Length	33	4	019-8040-00	1/4" x 3/4" Carriage Bolt
13	4	018-0009-00	3/8 x 1 3/4 Carriage Bolt	34	6	013-2050-00	1/4-20 Nylon Insert flange Nut
14	1	040-4000-00	Deck height lever pin	35	1	026-0013-00	Outlaw Deck Lift Pedal
15	4	013-5202-00	3/8" Nylock Flange Nut	36	1	040-5000-00	Pull Pin
16	1	031-0100-00	Outlaw Deck Lever Lock	37	2	014-9000-00	2X2 Frame Plug
17	1	026-2100-00	Outlaw Height Indicator Plate (Outer)	38	1	030-0010-00	5/16-18 x1 Thumb Screw Zinc
18	5	019-2003-00	.390 x .750 x .062 Nylon Washer	39	1	087-6100-00	250 lb Gas Spring - 61" Deck Outlaw
19	1	013-7018-00	1/2" Hex Nut	40	1	087-7200-00	300 lb Gas Spring - 72" Deck Outlaw
20	1	087-5400-00	200 lb Gas Spring- 54" Deck outlaw	41	2	018-2049-00	13mm Damper Ball Stud for 72" Deck only
21	2	018-2050-00	10mm Damper Ball Stud-Steering				

DETAIL B: OUTLAW EXTREME				DETAIL B: OUTLAW			
ITEM	QTY	PART NUMBER	DESCRIPTION	ITEM	QTY	PART NUMBER	DESCRIPTION
54	1	034-2009-00	2009 Deck/Pump Idler Spring	42	1	034-2009-00	2009 Deck/Pump Idler Spring
55	1	018-2004-00	All Thread-Pump Idler Tensioner	43	1	018-2004-00	All Thread-Pump Idler Tensioner
56	1	013-7021-00	5/8 Std NC Nylock Nut	44	2	019-6017-00	.630 ID Plastic Washer
57	3	019-6017-00	.630 ID Plastic Washer	45	2	013-7018-00	1/2" Hex Nut
58	2	013-7018-00	1/2" Hex Nut	46	1	033-6001-00	4 3/4 Idler Pulley - ABFI-76
59	1	033-6001-00	4 3/4 Idler Pulley - ABFI-76	47	1	039-6945-00	Deck Idler
60	1	039-6945-00	Deck Idler	48	1	018-0015-00	1/2" x 3" Hex Bolt
61	1	018-4010-00	1/2" Nylock Nut (1/2 Jam)	49	4	019-5010-00	1/2" Brass Washer
62	1	025-7036-00	1/2 x 1/2 Spacer	50	2	018-4010-00	1/2" Nylock Nut (1/2 Jam)
63	1	013-8050-00	1/2-13 Nylon Flange Nut	51	1	025-7020-00	5/8" x 1" Collar W/One Set Screw
64	1	018-6036-00	1/2 x 2-3/4 Hex Bolt	52	1	013-5301-00	5/8" Nylock (1/2 Jam)
65	1	039-6945-03	Pump Idler Assembly-Components:59,60,62,63,64	53	1	039-6945-04	Pump Idler Assembly-Components:46,47,48,49,50

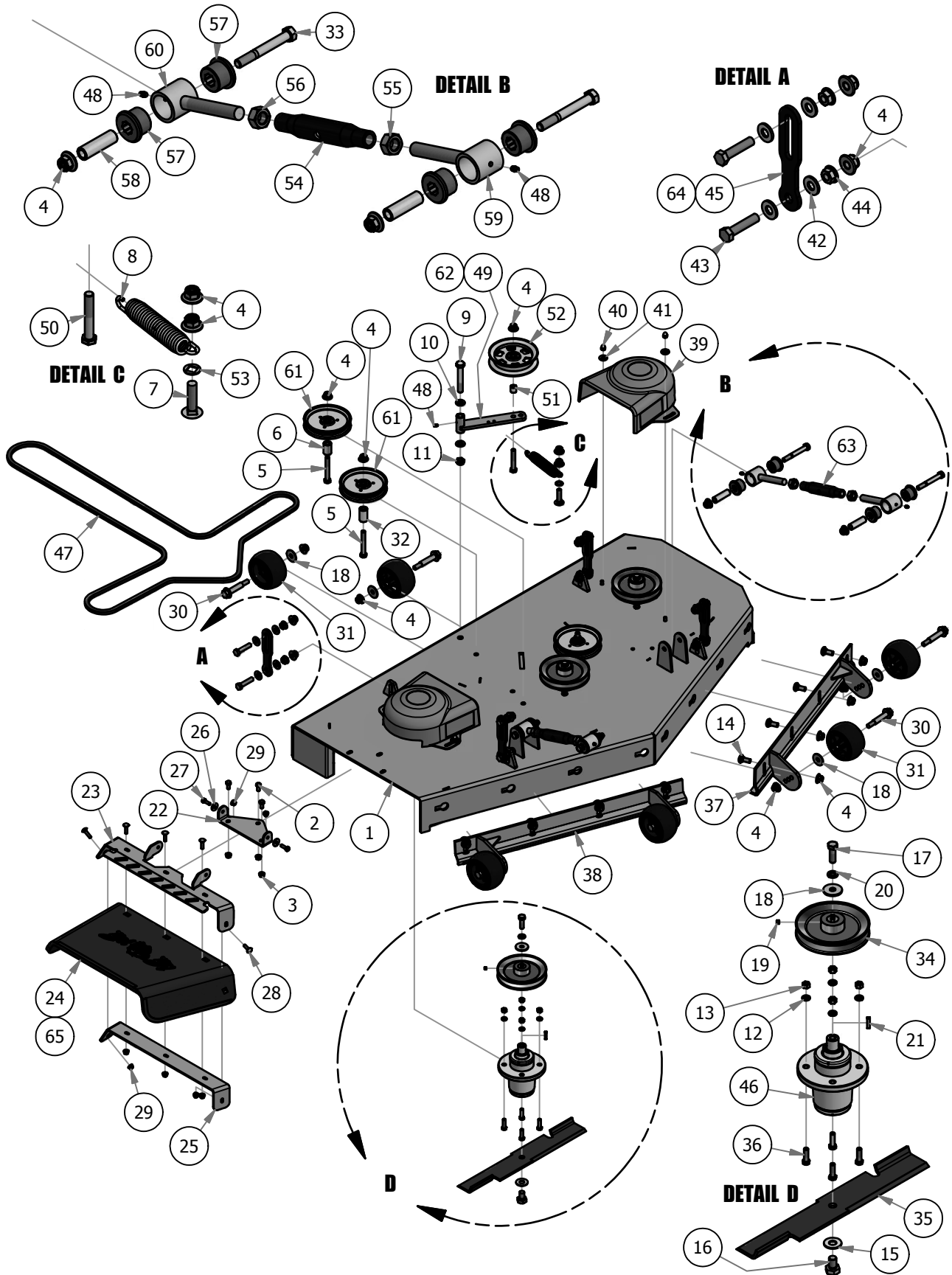


PARTS SECTION: OUTLAW 54" DECK

Parts List				Parts List			
ITEM	QTY	PART NUMBER	DESCRIPTION	ITEM	QTY	PART NUMBER	DESCRIPTION
1	1	060-5550-00	2015 54" Deck	34	12	018-5040-00	3/8" x 1 1/4" Hex Bolt
2	3	018-5250-00	3/8" x 3/4" Hex Bolt	35	3	038-0001-00	54" Deck Fusion Blade For Outlaw
3	3	013-5201-00	3/8" Flange Nut	36	1	060-5520-00	54 Deck Adjustable Front (Left)
4	30	013-8050-00	1/2-13 Nylon Flange Nut	37	1	060-5530-00	54 Deck Adjustable Front (Right)
5	3	018-2018-00	1/2 x 3 1/2 Flange Bolt Grade 8	38	2	014-5000-00	Pulley Cover
6	2	025-5338-00	Idler Pulley Standoff	39	4	013-0004-00	Acorn nut-pulley Cover
7	1	018-1050-00	1/2 x 2" Carriage Bolt	40	4	019-6050-00	.360 ID Plastic Washer-Black
8	1	034-2020-00	Deck Idler Spring	41	16	019-8054-00	.505 Nylon Spacer
9	1	018-5311-00	5/8" x 4" Hex Bolt	42	8	018-6037-00	1/2-13X 2-1/4 GR Hex Bolts
10	2	019-6017-00	.630 ID Plastic Washer	43	8	013-5300-00	1/2" Flange Nut
11	1	013-5301-00	5/8-11 Nylon Insert Jam Half Nut	44	4	039-2125-00	Deck_Hanging_Tab
12	12	019-5037-00	3/8 Lockwasher Zinc	45	3	037-4000-00	OUTLAW SPINDLE ASSEMBLY
13	12	013-6014-00	3/8-16 Hex Nuts Zinc	46	1	041-1650-00	60" ZT Deck Belt
14	6	018-3003-00	1/2" x 1 1/4 Carriage Bolt	47	5	024-6034-00	1/4" Press in Grease Fitting
15	3	019-5038-00	5/8" Flat Washer	48	1	039-6945-00	Deck Idler
16	3	018-6020-00	5/8" x 1 1/2" Grade 8 Hex Bolt (Fine)	49	1	025-5203-00	Spacer 3/4 OD x 1/2 ID x 3/4 Length
17	3	018-6019-00	1/2"-20 x 1 1/2 - Grade 5 Fine Thread Bolt	50	1	033-8050-00	5" Idler Pulley
18	9	019-6020-00	1/2" Belleville Washer	51	1	019-0007-00	.517 Square Hole Round Washer
19	3	030-0050-00	5/16 Set Screw	52	3	019-5007-00	1/2" Lock Washer
20	3	042-6030-00	1/4" x 1" Key	53	3	033-7201-25	5-3/4 Idler Pulley-Capitol Stampings
21	1	206-6017-00	Discharge Chute Hanger (deck mounted)	54	2	048-7020-00	2015 Outlaw Toplink Body
22	1	039-4864-00	60" Discharge Chute Upper Hanger	55	2	013-0008-00	3/4-10 Left-Handed Hex Nuts Zinc
23	1	210-6005-00	Rubber Discharge Chute	56	2	013-0007-00	3/4-10 Hex Nuts Zinc
24	1	039-4863-00	60" Discharge Lower Bracket	57	8	032-2000-00	Bushing
25	2	019-6042-00	.360 ID Plastic Washer	58	4	032-2001-00	Sleeve
26	2	018-2007-00	5/16" x 1" Bolt	59	2	048-7022-00	Turn Left-Handed
27	5	018-4703-00	5/16" x 1 1/4" Carriage Bolt	60	2	048-7021-00	Right-Handed End
28	7	013-8049-00	5/16" Nylock Flange Nut Zinc	61	1	018-7016-00	1/2-13 x GR 5 Hex Bolt Zinc
29	6	018-0010-00	Deck Wheel Bolt	62	1	039-6945-01	Deck Idler Assembly - Includes parts:4, 47, 48, 49, 50, 61
30	6	022-1000-00	Anti-Scalp Roller	63	2	048-7000-00	Turnbuckle Assembly
31	1	025-5339-00	1 3/4" Pulley Spacer	64	1	039-2125-17	Outlaw Deck Hanger Assembly - Includes Parts:4,41,42,43,44
32	4	018-5019-00	1/2" x 4" Bolt (Grade 8)	65	1	210-6005-98	Chute Assembly - Includes Parts:22,23,24,27,28
33	3	033-6006-00	5.25" Deck Spindle Pulley				



PARTS SECTION: OUTLAW 61" DECK





PARTS SECTION: OUTLAW 61" DECK

Parts List				Parts List			
ITEM	QTY	PART NUMBER	DESCRIPTION	ITEM	QTY	PART NUMBER	DESCRIPTION
1	1	060-6150-00	2015 61" Deck	34	3	033-6004-00	6 1/4" Drive Pulley
2	3	018-5250-00	3/8" x 3/4" Hex Bolt	35	3	038-6080-00	61 inch Fusion Blade
3	3	013-5201-00	3/8" Flange Nut	36	12	018-5040-00	3/8" x 1 1/4" Hex Bolt
4	32	013-8050-00	1/2-13 Nylon Flange Nut	37	1	060-6220-00	61 Deck Adjustable Front (Left)
5	3	018-2018-00	1/2 x 3 1/2 Flange Bolt Grade 8	38	1	060-6210-00	61 Deck Adjustable Front (Right)
6	2	025-5338-00	Idler Pulley Standoff	39	2	014-5000-00	Pulley Cover
7	1	018-1050-00	1/2 x 2" Carriage Bolt	40	4	013-0004-00	Acorn nut-pulley Cover
8	1	034-2020-00	Deck Idler Spring	41	4	019-6050-00	.360 ID Plastic Washer-Black
9	1	018-5311-00	5/8" x 4" Hex Bolt	42	16	019-8054-00	.505 Nylon Spacer
10	2	019-6017-00	.630 ID Plastic Washer	43	8	018-6037-00	1/2-13X 2-1/4 GR Hex Bolts
11	1	013-5301-00	5/8-11 Nylon Insert Jam Half Nut	44	8	013-5300-00	1/2" Flange Nut
12	12	019-5037-00	3/8 Lockwasher Zinc	45	4	039-2125-00	Deck_Hanging_Tab
13	12	013-6014-00	3/8-16 Hex Nuts Zinc	46	3	037-4000-00	OUTLAW SPINDLE ASSEMBLY
14	8	018-3003-00	1/2" x 1 1/4 Carriage Bolt	47	1	041-0178-00	B178 Belt For 61 Inch Outlaw
15	3	019-5038-00	5/8" Flat Washer	48	5	024-6034-00	1/4" Press in Grease Fitting
16	3	018-6020-00	5/8" x 1 1/2" Grade 8 Hex Bolt (Fine)	49	1	039-6945-00	Deck Idler
17	3	018-6019-00	1/2"-20 x 1 1/2 - Grade 5 Fine Thread Bolt	50	1	018-7016-00	1/2-13 x GR 5 Hex Bolt Zinc
18	9	019-6020-00	1/2" Belleville Washer	51	1	025-5203-00	Spacer 3/4 OD x 1/2 ID x 3/4 Length
19	3	030-0050-00	5/16 Set Screw	52	1	033-8050-00	5" Idler Pulley
20	3	019-5007-00	1/2" Lock Washer	53	1	019-0007-00	.517 Square Hole Round Washer
21	3	042-6030-00	1/4" x 1" Key	54	2	048-7020-00	2015 Outlaw Toplink Body
22	1	206-6017-00	Discharge Chute Hanger (deck mounted)	55	2	013-0008-00	3/4-10 Left-Handed Hex Nuts Zinc
23	1	039-4864-00	60" Discharge Chute Upper Hanger	56	2	013-0007-00	3/4-10 Hex Nuts Zinc
24	1	210-6005-00	Rubber Discharge Chute	57	8	032-2000-00	Bushing
25	1	039-4863-00	60" Discharge Lower Bracket	58	4	032-2001-00	Sleeve
26	2	019-6042-00	.360 ID Plastic Washer	59	2	048-7022-00	Turn Left-Handed
27	2	018-2007-00	5/16" x 1" Bolt	60	2	048-7021-00	Right-Handed End
28	5	018-4703-00	5/16" x 1 1/4" Carriage Bolt	61	3	033-7201-25	5-3/4 Idler Pulley-Capitol Stampings
29	7	013-8049-00	5/16" Nylock Flange Nut Zinc	62	1	039-6945-01	Deck Idler Assembly - Includes parts: 4, 49, 48, 50, 51, 52,
30	6	018-0010-00	Deck Wheel Bolt	63	2	048-7000-00	Turnbuckle Assembly
31	6	022-1000-00	Anti-Scalp Roller	64	1	039-2125-17	Outlaw Deck Hanger Assembly - Includes Parts:4,42,43,44,45
32	1	025-5339-00	1 3/4" Pulley Spacer	65	1	210-6005-98	Chute Assembly - Includes Parts:23,24,25,28,29
33	4	018-5019-00	1/2" x 4" Bolt (Grade 8)				

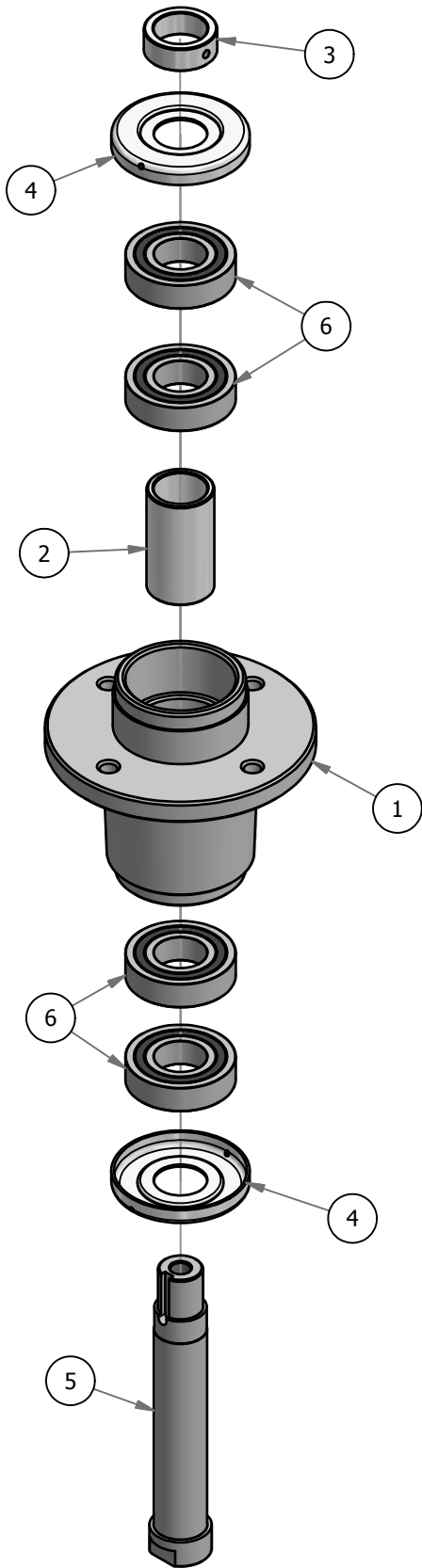


PARTS SECTION: OUTLAW 72" DECK

Parts List				Parts List			
ITEM	QTY	PART NUMBER	DESCRIPTION	ITEM	QTY	PART NUMBER	DESCRIPTION
1	1	060-7250-00	2015 72" Deck	34	6	018-0010-00	Deck Wheel Bolt
2	1	033-8050-00	5" Idler Pulley	35	6	022-1000-00	Anti-Scalp Roller
3	32	013-8050-00	1/2-13 Nylon Flange Nut	36	1	025-5339-00	1 3/4" Pulley Spacer
4	3	018-2018-00	1/2 x 3 1/2 Flange Bolt Grade 8	37	4	018-5019-00	1/2" x 4" Bolt (Grade 8)
5	2	025-5338-00	Idler Pulley Standoff	38	4	013-0004-00	Acorn nut-pulley Cover
6	1	018-1050-00	1/2 x 2" Carriage Bolt	39	4	019-6050-00	.360 ID Plastic Washer-Black
7	1	034-2020-00	Deck Idler Spring	40	16	019-8054-00	.505 Nylon Spacer
8	1	018-5311-00	5/8" x 4" Hex Bolt	41	8	018-6037-00	1/2-13X 2-1/4 GR Hex Bolts
9	2	019-6017-00	.630 ID Plastic Washer	42	8	013-5300-00	1/2" Flange Nut
10	1	013-5301-00	5/8-11 Nylon Insert Jam Half Nut	43	4	039-2125-00	Deck_Hanging_Tab
11	3	018-5250-00	3/8" x 3/4" Hex Bolt	44	3	037-4000-00	OUTLAW SPINDLE ASSEMBLY
12	3	013-5201-00	3/8" Flange Nut	45	1	041-0202-00	B202 Belt for 72" Outlaw
13	12	019-5037-00	3/8 Lockwasher Zinc	46	5	024-6034-00	1/4" Press in Grease Fitting
14	12	013-6014-00	3/8-16 Hex Nuts Zinc	47	1	039-6945-00	Deck Idler
15	1	060-7211-00	72" Deck Adustable Front (Right)	48	1	018-7016-00	1/2-13 x GR 5 Hex Bolt Zinc
16	1	060-7210-00	72" Deck Adjustable Front (Left)	49	1	025-5203-00	Spacer 3/4 OD x 1/2 ID x 3/4 Length
17	8	018-3003-00	1/2" x 1 1/4" Carriage Bolt	50	2	014-7204-00	72 Outlaw Spindle Pulley Cover
18	2	018-2007-00	5/16" x 1" Bolt	51	12	058-6000-00	Black, Round Stick-On Rubber Bumper
19	3	019-5038-00	5/8" Flat Washer	52	1	019-0007-00	.517 Square Hole Round Washer
20	3	018-6020-00	5/8" x 1 1/2" Grade 8 Hex Bolt (Fine)	53	3	019-5007-00	1/2" Lock Washer
21	3	038-7230-00	72" High Lift Fusion Blade	54	2	048-7020-00	2015 Outlaw Toplink Body
22	3	018-6019-00	1/2"-20 x 1 1/2 - Grade 5 Fine Thread Bolt	55	2	013-0008-00	3/4-10 Left-Handed Hex Nuts Zinc
23	9	019-6020-00	1/2" Belleville Washer	56	2	013-0007-00	3/4-10 Hex Nuts Zinc
24	3	033-7203-00	7" Deck Pulley	57	8	032-2000-00	Bushing
25	3	030-0050-00	5/16 Set Screw	58	4	032-2001-00	Sleeve
26	3	042-6030-00	1/4" x 1" Key	59	2	048-7022-00	Turn Left-Handed
27	1	206-6017-00	Discharge Chute Hanger (deck mounted)	60	2	048-7021-00	Right-Handed End
28	1	039-4864-00	60" Discharge Chute Upper Hanger	61	12	018-6012-00	3/8" x 1 1/2" Hex Bolt
29	1	210-6005-00	Rubber Discharge Chute	62	3	033-7201-25	5-3/4 Idler Pulley-Capitol Stampings
30	1	039-4863-00	60" Discharge Lower Bracket	63	1	039-6945-01	Deck Idler Assembly - Includes parts: 2,3,46,47,48,49
31	2	019-6042-00	.360 ID Plastic Washer	64	2	048-7000-00	Turnbuckle Assembly
32	5	018-4703-00	5/16" x 1 1/4" Carriage Bolt	65	1	039-2125-17	Outlaw Deck Hanger Assembly - Includes Parts:3,40,41,42,43
33	7	013-8049-00	5/16" Nylock Flange Nut Zinc	66	1	210-6005-98	Chute Assembly - Includes Parts:28,29,30,32,33



PARTS SECTION: 037-4000-00 DOUBLE BEARING SPINDLE

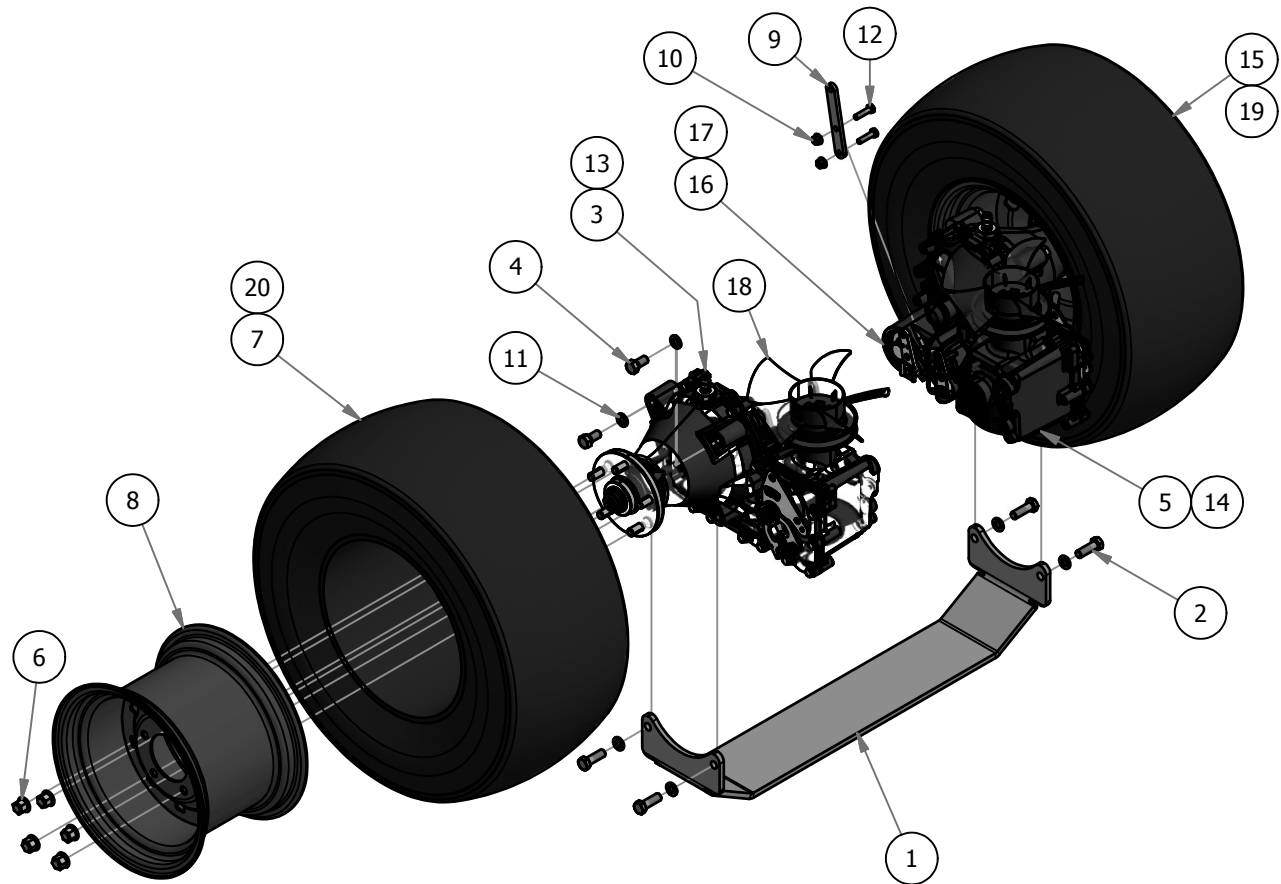


Parts List			
ITEM	QTY	PART NUMBER	DESCRIPTION
1	1	037-4000-01	4000 Series Spindle Housing
2	1	037-4002-00	4000 Series Spindle Spacer
3	1	037-9050-00	Locking Collar w/ 1/4"-20 Set Screw
4	2	037-8002-00	Spindle Dust Cap
5	1	037-6026-00	Spindle Shaft
6	4	037-6029-00	Bearing - Peer 6206



PARTS SECTION: OUTLAW DRIVETRAIN

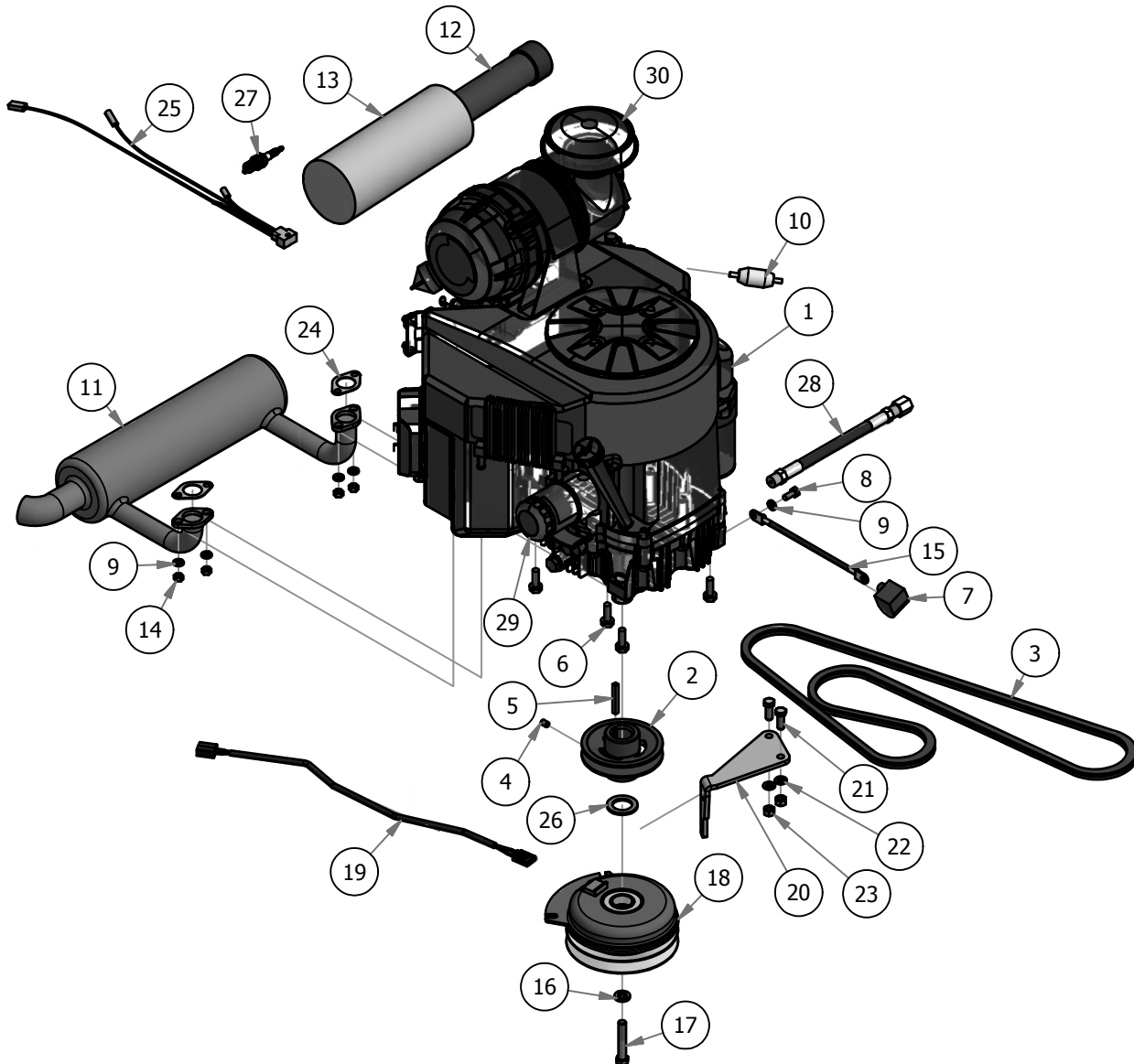
Parts List				Parts List			
ITEM	QTY	PART NUMBER	DESCRIPTION	ITEM	QTY	PART NUMBER	DESCRIPTION
1	1	203-0100-00	Outlaw Transaxle Cross Brace	11	8	019-5007-00	1/2" Lock Washer
2	4	018-5006-00	1/2" x 1 1/2" Hex Bolt	12	4	018-2006-00	5/16 x 1 1/4 Hex Bolt (4400 Transales Only)
3	1	050-7000-00	ZT - 5400 - Left	13	1	050-1000-00	4400 Transaxle - Left (Base Outlaw)
4	4	018-2030-00	1/2" x 1" Hex Bolt	14	1	050-1050-00	4400 Transaxle - Right (Base Outlaw)
5	1	050-7001-00	ZT - 5400 - Right	15	2	022-4050-00	24 x 12.00 - 12 Tire and Black Wheel Assembly
6	10	013-3000-00	Acorn Lug Nut	16	2	063-1060-00	Hydro Filter for Outlaw Extreme
7	2	022-5349-00	24 x 12 - 12 Tire Pro Maxxis	17	2	063-1070-00	4400 Hydro Filter for Outlaw
8	2	022-4070-00	12x12" Black Wheel For 2015 Outlaw	18	2	050-2073-00	Fan/Pulley Kit for Outlaw
9	2	039-2135-00	2015 Outlaw Brake Adapter (4400 Transaxles Only)	19	1	022-4100-00	2018 24x12-12 Reaper Turf Tire and Black Wheel Assembly
10	4	013-8049-00	5/16" Flange Nut Zinc W/Serrations (4400 Transaxles Only)	20	1	022-4095-00	2018 24x12-12 Reaper Turf Tire





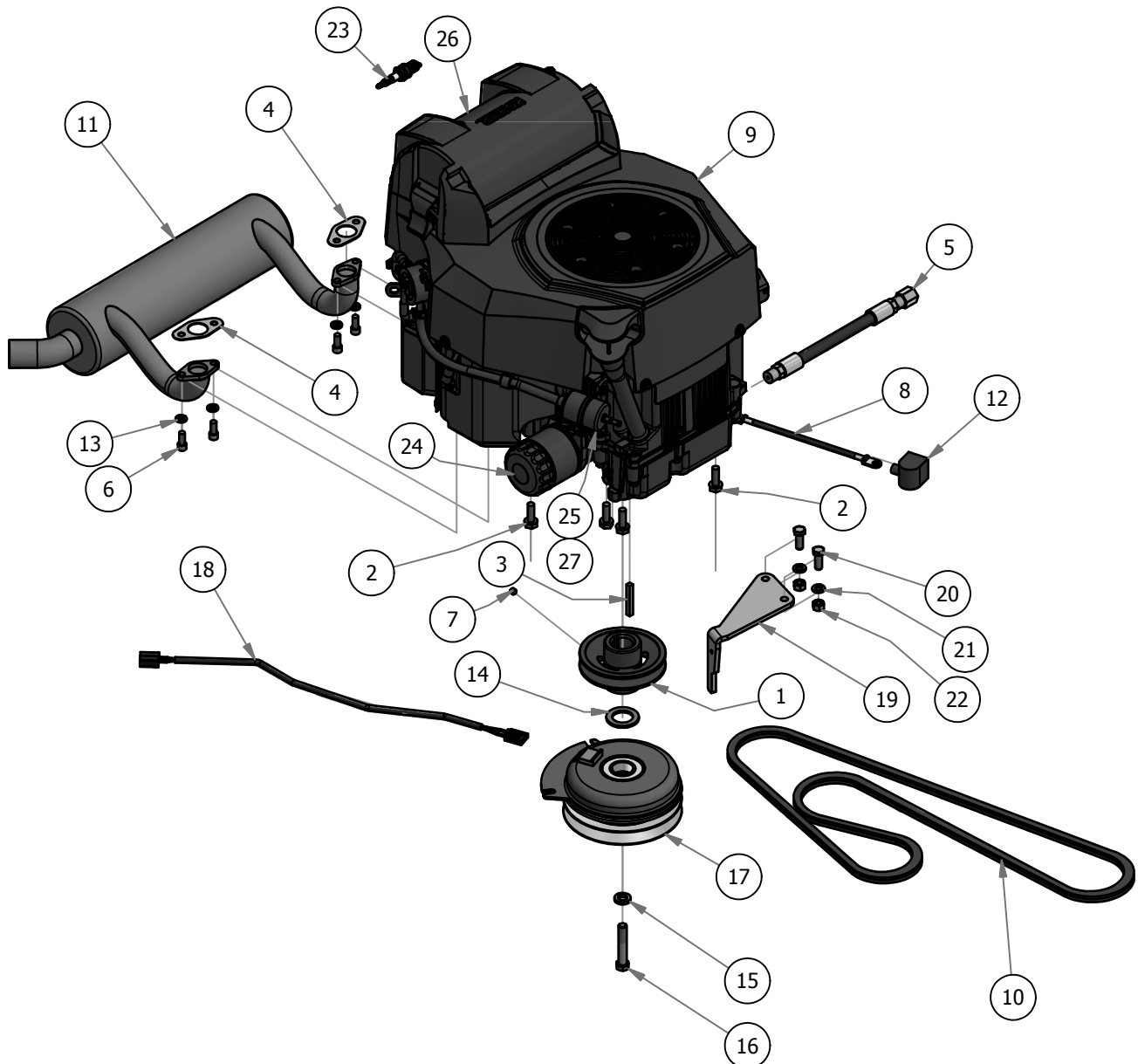
PARTS SECTION: FX 751-V KAWASAKI

Parts List				Parts List			
ITEM	QTY	PART NUMBER	DESCRIPTION	ITEM	QTY	PART NUMBER	DESCRIPTION
1	1	015-0067-00	FX-751-V Kawasaki	16	1	019-8053-00	7/16" Lock Washer
2	1	033-5035-00	4 3/4 Motor Pulley	17	1	018-5300-00	7/16" x 2 1/2" Hex Bolt
3	1	041-5048-00	Pump Belt	18	1	070-1000-00	Clutch Assembly
4	1	030-6029-00	3/8" Set Screw	19	1	070-2000-00	Clutch Pigtail
5	1	042-5020-00	1/4 x 2 Square key Stock	20	1	057-5906-00	PTO Engager Holder
6	4	018-1075-00	3/8 x 1 1/8 bolt	21	2	018-6049-00	3/8" x 1" Hex Bolt
7	1	103-5400-00	Black Boot For Ground Cable	22	2	019-5037-00	3/8" Lock Washer
8	1	018-5321-00	M8x1.20x20MM Hex head bolt	23	2	013-6014-00	3/8" Hex Nut
9	5	019-8051-00	5/16" Lock Washer	24	2	015-2709-00	Exhaust Gasket
10	1	063-6000-00	Universal Inline Fuel Filter	25	1	086-9002-00	Harness Adaptor
11	1	015-0035-00	Kawasaki Exhaust	26	1	019-6029-00	1 1/8" Flat Spacer
12	1	063-8020-00	Canister Air Filter- Inner	27	2	015-8001-00	Spark Plug - Kawasaki
13	1	063-8019-00	Canister Air Filter- Outer	28	1	051-5404-00	Oil drain Hose
14	4	013-0075-00	M8-1.25 Zinc Nut	29	1	063-8017-00	Kawasaki Oil Filter
15	1	086-0005-00	Ground Cable	30	1	088-1071-00	Kawasaki Rain Cap



PARTS SECTION: 747CC KOHLER

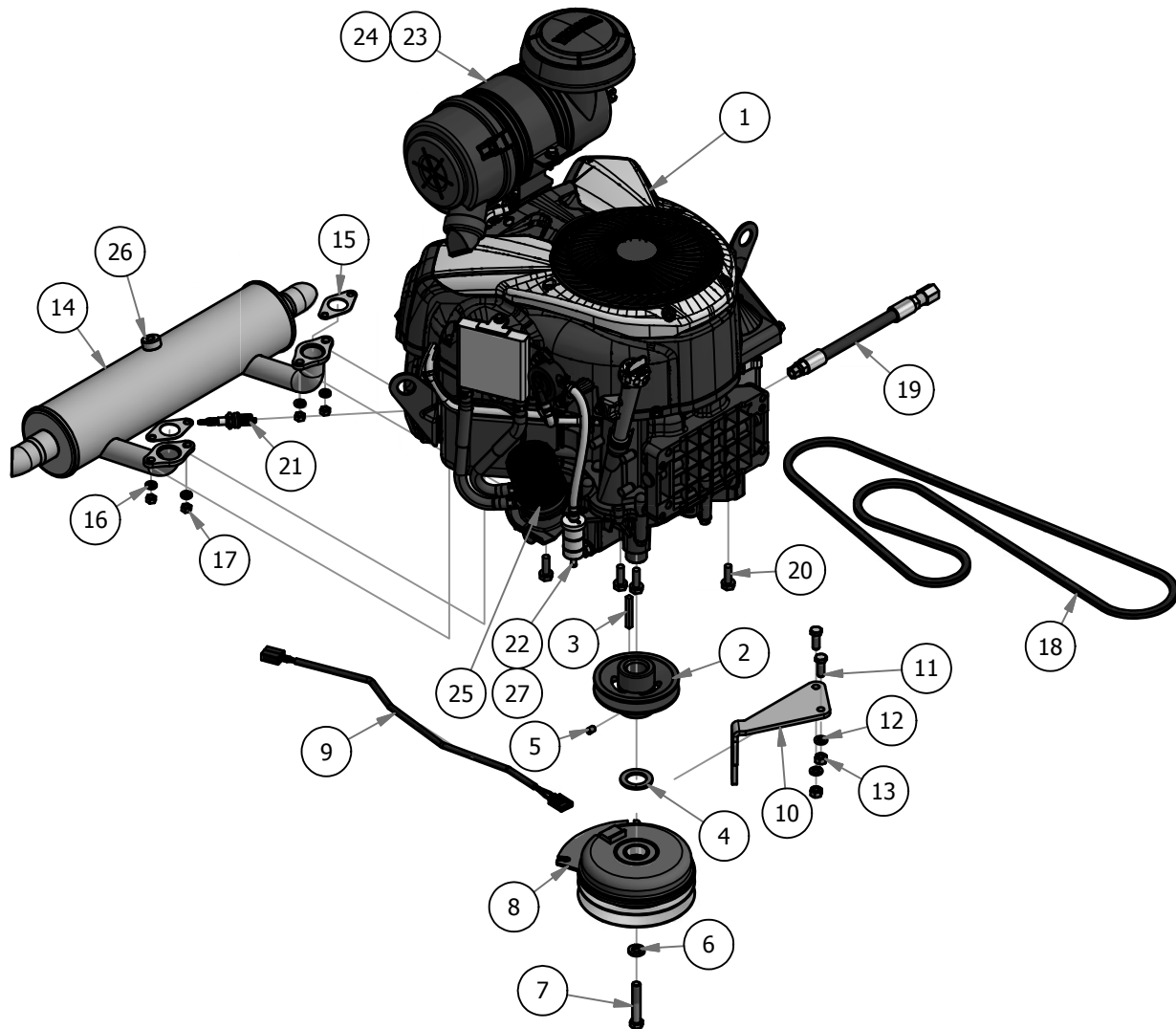
Parts List				Parts List			
ITEM	QTY	PART NUMBER	DESCRIPTION	ITEM	QTY	PART NUMBER	DESCRIPTION
1	1	033-5035-00	4 3/4 Motor Pulley	15	1	019-8053-00	7/16" Lock Washer
2	4	018-1075-00	3/8 x 1 1/8 bolt	16	1	018-5300-00	7/16" x 2 1/2" Hex Bolt
3	1	042-5020-00	1/4 x 2 Square key Stock	17	1	070-1000-00	Clutch Assembly
4	2	015-2751-00	Exhaust Gasket	18	1	070-2000-00	Clutch Pigtail
5	1	015-5401-00	Oil drain Valve	19	1	057-5906-00	PTO Engager Holder
6	4	018-8067-00	5/16-18 x 3/4 Socket C/S	20	2	018-6049-00	3/8" x 1" Hex Bolt
7	1	030-0050-00	5/16 Set Screw	21	2	019-5037-00	3/8" Lock Washer
8	1	086-0005-00	Ground Cable	22	2	013-6014-00	3/8" Hex Nut
9	1	015-2030-00	Kohler-2014 CZT/Outlaw 747cc	23	2	015-8000-00	Spark Plug
10	1	041-5048-00	Pump Belt	24	1	063-5000-00	725 & 747 Kohler Oil Filter
11	1	015-0065-00	2014 Kohler Outlaw Muffler	25	1	063-6000-00	Universal Inline Fuel Filter
12	1	103-5400-00	Black Boot For Ground Cable	26	1	063-5005-00	747 Kohler Air Filter
13	4	019-8051-00	5/16" Lock Washer	27	1	015-0077-07	Kohler Fuel Filter
14	1	019-6029-00	1 1/8" Flat Spacer				





PARTS SECTION: CARBURETED 824CC YAMAHA

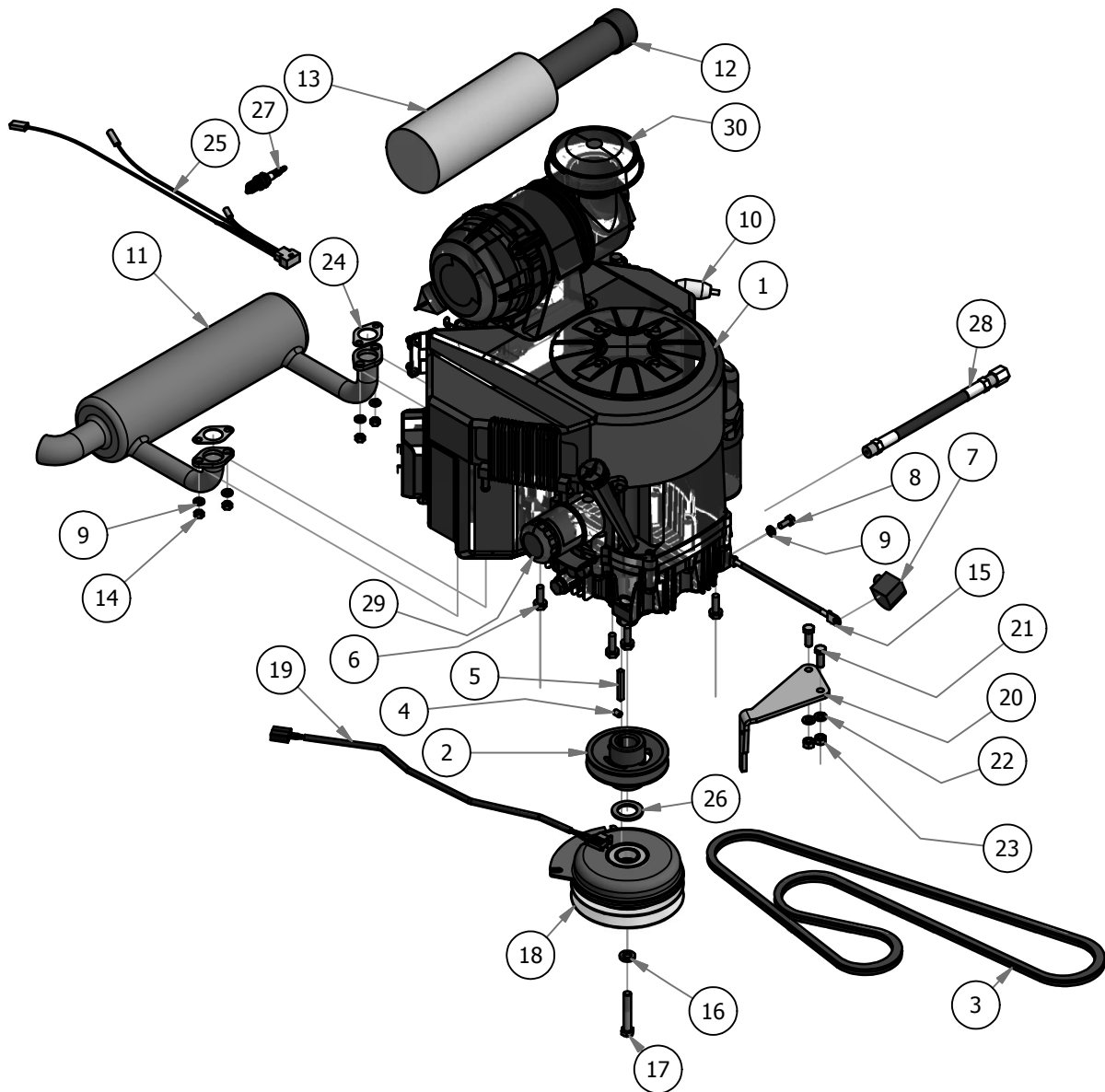
Parts List				Parts List			
ITEM	QTY	PART NUMBER	DESCRIPTION	ITEM	QTY	PART NUMBER	DESCRIPTION
1	1	015-0076-00	Carbureted 27.5hp Yamaha Engine	15	2	015-0053-01	Exhaust Gasket for yamaha
2	1	033-5035-00	4 3/4 Motor Pulley	16	4	019-8051-00	5/16" Lock Washer
3	1	042-5020-00	1/4 x 2 Square key Stock	17	4	013-0075-00	M8-1.25 Zinc Nut
4	1	019-6029-00	1 1/8" Flat Spacer	18	1	041-8411-00	Pump Belt Diesel
5	1	030-6029-00	3/8" Set Screw	19	1	051-5403-00	Oil drain Hose for Yamaha
6	1	019-8053-00	7/16" Lock Washer	20	4	018-1075-00	3/8 x 1 1/8 bolt
7	1	018-5300-00	7/16" x 2 1/2" Hex Bolt	21	2	015-0053-06	Spark Plug - Yamaha
8	1	070-1000-00	Clutch Assembly	22	1	063-6000-00	Universal Inline Fuel Filter
9	1	070-2000-00	Clutch Pigtail	23	1	063-8019-00	Canister Air Filter- Outer
10	1	057-5906-00	PTO Engager Holder	24	1	063-8020-00	Canister Air Filter- Inner
11	2	018-6049-00	3/8" x 1" Hex Bolt	25	1	015-0053-02	Oil Filter
12	2	019-5037-00	3/8" Lock Washer	26	1	015-0050-01	O2 Sensor Plug
13	2	013-6014-00	3/8" Hex Nut	27	1	015-0053-21	Yamaha Fuel Filter
14	1	015-0050-00	Yamaha Muffler				





PARTS SECTION: FX 850-V KAWASAKI

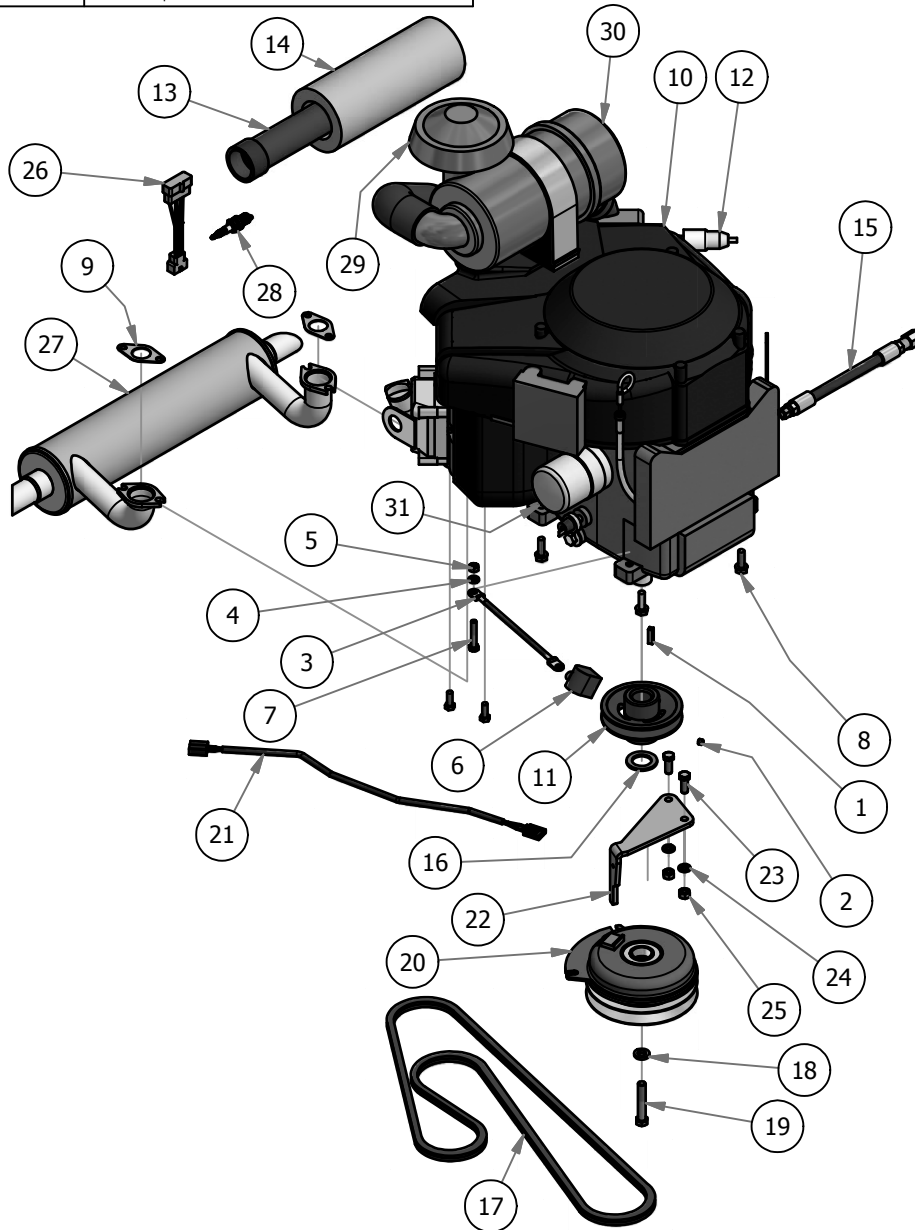
Parts List				Parts List			
ITEM	QTY	PART NUMBER	DESCRIPTION	ITEM	QTY	PART NUMBER	DESCRIPTION
1	1	015-0031-00	Kawasaki Engine FX-850-V-CS09R	16	1	019-8053-00	7/16" Lock Washer
2	1	033-5035-00	4 3/4 Motor Pulley	17	1	018-5300-00	7/16" x 2 1/2" Hex Bolt
3	1	041-5048-00	Pump Belt	18	1	070-1000-00	Clutch Assembly
4	1	030-6029-00	3/8" Set Screw	19	1	070-2000-00	Clutch Pigtail
5	1	042-5020-00	1/4 x 2 Square key Stock	20	1	057-5906-00	PTO Engager Holder
6	4	018-1075-00	3/8 x 1 1/8 bolt	21	2	018-6049-00	3/8" x 1" Hex Bolt
7	1	103-5400-00	Black Boot For Ground Cable	22	2	019-5037-00	3/8" Lock Washer
8	1	018-5321-00	M8x1.20x20MM Hex head bolt	23	2	013-6014-00	3/8" Hex Nut
9	5	019-8051-00	5/16" Lock Washer	24	2	015-2709-00	Exhaust Gasket
10	1	063-6000-00	Universal Inline Fuel Filter	25	1	086-9002-00	Harness Adaptor
11	1	015-0035-00	Kawasaki Exhaust	26	1	019-6029-00	1 1/8" Flat Spacer
12	1	063-8020-00	Canister Air Filter- Inner	27	2	015-8001-00	Spark Plug - Kawasaki
13	1	063-8019-00	Canister Air Filter- Outer	28	1	051-5404-00	Oil drain Hose
14	4	013-0075-00	M8-1.25 Zinc Nut	29	1	063-8017-00	Kawasaki Oil Filter
15	1	086-0005-00	Ground Cable	30	1	088-1071-00	Kawasaki Rain Cap





PARTS SECTION: 993CC VANGUARD

Parts List				Parts List																																										
ITEM	QTY	PART NUMBER	DESCRIPTION	ITEM	QTY	PART NUMBER	DESCRIPTION																																							
1	1	042-6030-00	1/4" x 1" Key	17	1	041-5048-00	Pump Belt																																							
2	1	030-0050-00	5/16 Set Screw	18	1	019-8053-00	7/16" Lock Washer																																							
3	1	086-0005-00	Ground Cable	19	1	018-5300-00	7/16" x 2 1/2" Hex Bolt																																							
4	1	019-8051-00	5/16" Lock Washer	20	1	070-1000-00	Clutch Assembly																																							
5	1	013-8043-00	5/16" Nut	21	1	070-2000-00	Clutch Pigtail																																							
6	1	103-5400-00	Black Boot For Ground Cable	22	1	057-5906-00	PTO Engager Holder																																							
7	1	018-8059-00	5/16" x 1 3/4" Hex Bolt	23	2	018-6049-00	3/8" x 1" Hex Bolt																																							
8	3	018-1075-00	3/8 x 1 1/8 bolt	24	2	019-5037-00	3/8" Lock Washer																																							
9	2	015-0025-00	Exhaust Gasket for 23 Vanguard	25	2	013-6014-00	3/8" Hex Nut																																							
10	1	015-3600-00	993cc Briggs Vanguard Engine	26	1	086-9001-00	Harness Adaptor - 933cc Vanguard																																							
11	1	033-5035-00	4 3/4 Motor Pulley	27	015-0049-00	2015 Exhaust - 36hp Vanguard	12	1	063-6000-00	Universal Inline Fuel Filter	28	2	015-8000-00	Spark Plug	13	1	063-8020-00	Canister Air Filter- Inner	29	1	063-2045-00	Rain Cap Fits all Canisters	14	1	063-8019-00	Canister Air Filter- Outer	30	1	015-2705-00	Complete Canister	15	1	051-5402-00	14 mm Oil drain Hose 993cc Vanguard	31	1	063-8018-00	Briggs Oil Filter	16	1	019-6029-00	1 1/8" Flat Spacer				
12	1	063-6000-00	Universal Inline Fuel Filter	28	2	015-8000-00	Spark Plug																																							
13	1	063-8020-00	Canister Air Filter- Inner	29	1	063-2045-00	Rain Cap Fits all Canisters																																							
14	1	063-8019-00	Canister Air Filter- Outer	30	1	015-2705-00	Complete Canister																																							
15	1	051-5402-00	14 mm Oil drain Hose 993cc Vanguard	31	1	063-8018-00	Briggs Oil Filter																																							
16	1	019-6029-00	1 1/8" Flat Spacer																																											





PARTS SECTION: DECALS



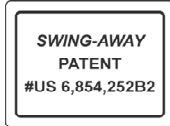
091-0902-00

FLOORBOARD LOGO DECAL



091-0919-18

ARMORTEK5 DECAL



091-3060-00
SWING-AWAY
PATENT DECAL



091-1114-00
STEERING SPEED
CONTROL DECAL



091-1101-18
BRAKE DECAL



091-8001-00
IMPACT ABSORPTION
PATENT DECAL



091-0341-18

726cc BACKPLATE DECAL



091-0340-18

747cc BACKPLATE DECAL



091-0342-18

810cc BACKPLATE DECAL



091-0343-18

824cc BACKPLATE DECAL



091-0055-18

852cc BACKPLATE DECAL



091-0904-18

54" DECK DECAL



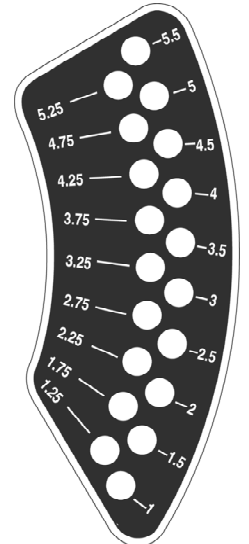
091-0917-18

61" DECK DECAL



091-0918-18

72" DECK DECAL



091-1105-18

DECK HEIGHT DECAL



091-0344-18

852cc EXTREME BACKPLATE DECAL



091-0345-18

993cc EXTREME BACKPLATE DECAL



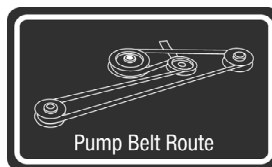
091-1104-18

THROTTLE DECAL



091-1152-18

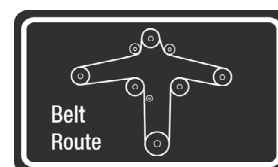
CONTROL PANEL DECAL



Pump Belt Route

091-3017-00

PUMP BELT ROUTE DECAL



Belt Route

091-3309-00

DECK BELT ROUTE DECAL



091-3150-00

CAUTION/DANGER DECAL



091-1020-00

CAUTION DECAL



091-3012-00

DANGER DECAL



**2018 LIMITED WARRANTY
FOR
BAD BOY COMMERCIAL MOWER
(STAND ON, DIESEL, OUTLAW, OUTLAW EXTREME, AND OUTLAW XP)**

1. WHAT THIS WARRANTY COVERS, AND FOR HOW LONG:

Bad Boy, Inc. will, at its option, repair or replace, without charge, any part covered by the warranty which is found to be defective in material and/or workmanship for two (2) years * after the date of sale to the original retail purchaser **unless the product is used for rental purposes, in which case this warranty is limited to ninety (90) days.**

The leading edge of the deck shell will be warranted for the entire lifetime of the machine to the original purchaser against defects in materials and workmanship. Labor required to repair or replace the leading edge of the deck shell will be covered by Bad Boy Inc. for two years and at the unit owner's expense during the balance of the lifetime of the machine.

Belts are warranted for a period of ninety (90) days against materials or workmanship defects.

Seats are warranted for a period of (6) months against material or workmanship defects.

At Bad Boy, Inc.'s request, customer will make the defective part available for inspection by Bad Boy, Inc. and/or return the defective part to Bad Boy, Inc., **transportation charges prepaid.**

2. WHAT THIS WARRANTY DOES NOT COVER:

A. This warranty does not cover defects caused by depreciation or damage caused by normal wear, accidents, improper maintenance, improper use or abuse of the product, alterations, or failure to follow the instruction contained in the Owner's Manual for operation and maintenance.

B. The customer shall pay any charges for making service calls and/or for transporting the mower to and from the place where the inspection and/or warranty work is performed.

Bad Boy Inc will not be responsible for the pickup and delivery of a machine for warranty purposes.

C. Engines are warranted separately by their respective manufacturer. The available warranties covering this item are furnished with each mower. Bad Boy, Inc does not assume any warranty obligation, liability or modification for this item, which is covered exclusively by the stated warranty of the respective manufacturers.

D. Tires, blades, deck anti-scalping wheels, and dust covers are considered to be consumable wear items and are therefore not warranted.

E. Batteries are warranted for six months (free replacement) from the retail purchase date against materials or workmanship defects. The battery warranty must be obtained through the battery manufacturer.

F. Normal maintenance services such as oil change, cleaning, lubrication, adjustment.

G. Replacement of services, items, such as oil, lubricants, spark plugs, belts, rubber hoses or other items subject to normal service replacement.

3. HOW TO OBTAIN SERVICE UNDER THIS WARRANTY:

A. Warranty service can be arranged by contacting the dealer where you purchased the mower. Proof of the date of purchase may be required to verify warranty coverage. Warranty repairs must be completed by an authorized Bad Boy center.

B. **Warranty claims will not be reviewed or paid unless the warranty registration is received by Bad Boy, Inc. within 30 days of the retail purchase date.**

C. Warranty claims requiring parts returned will be settled upon return of parts to Bad Boy for inspection.

D. All warranty issues must be handled through an authorized service center or dealership.

4. WARRANTY LIMITATION:

A. **THERE IS NO OTHER EXPRESS WARRANTY. ANY WARRANTY THAT MAY BE IMPLIED FROM THIS PURCHASE INCLUDING MERCHANTABILITY AND FITNESS FOR A PARTICULAR PURPOSE IS HEREBY LIMITED TO THE DURATION OF THIS WARRANTY AND TO THE EXTENT PERMITTED BY LAW ANY AND ALL IMPLIED WARRANTIES ARE EXCLUDED.** Some states do not allow limitations on how long an implied warranty lasts, so the above limitations may not apply to you.

B. **BAD BOY, INC. WILL NOT BE LIABLE FOR ANY INCIDENTAL, CONSEQUENTIAL, OR SPECIAL DAMAGES AND/OR EXPENSES IN CONNECTION WITH THE PURCHASE OR USE OF THE MOWER.** Some states do not allow the exclusion or limitation of incidental or consequential damages, so the above limitation(s) or exclusion(s) may not apply to you.

C. Only the warranty expressed in this limited warranty shall apply and no dealer, distributor, or individual is authorized to amend, modify, or extend this warranty in any way. Accordingly, additional statements such as dealer advertising or presentations, whether oral or written, do not constitute warranties by Bad boy, Inc., and should not be relied on.

D. This warranty extends only to turf equipment operated under normal conditions and properly serviced and maintained. The warranty expressly does not cover (i) any defects, damage or deterioration due to normal use, wear and tear, or exposure; (ii) normal maintenance services such as oil change, cleaning, lubrication, adjustment; (iii) replacement of services, items, such as oil, lubricants, spark plugs, belts, rubber hoses or other items subject to normal service replacement; (iv) damage or defects arising out of or relating to misuse, neglect, alteration, negligence or accident; (v) repair or replacement arising from operation of or use of the turf equipment which is not in accordance with operating instructions as specified in the operator's manual or other operational instructions provided by Bad Boy Inc.; (vi) repair or replacement arising as a result of any operation from turf equipment that has been altered or modified so as to, indetermination of Bad Boy, Inc., adversely affect the operation, performance or durability of the equipment or that has altered, modified or affected the turf equipment so as to change the intended use of the product; (vii) repair or replacement necessitated by use of parts, accessories or supplies, including gasoline, oil or lubricants, incompatible with the turf equipment or other than as recommended in the operator's manual or other operational instructions provided by Bad Boy, Inc.; (viii) repairs or replacements resulting from parts or accessories which have adversely affected the operation, performance or durability of the turf equipment; or (ix) damage or defects due to or arising out of repair of turf equipment by person or persons other than an authorized Bad Boy, Inc., service dealer or the installation of parts other than genuine Bad Boy, Inc., recommended parts.

As a condition to this warranty, customer shall have read the operator's manual and ensured the mower has been registered within 30 days of purchase.

E. This warranty gives you specific legal rights, and you may also have other rights, which vary from state to state.



BAD BOY, INC.
102 INDUSTRIAL DRIVE
BATESVILLE, AR 72501
WWW.BADBOYMOWERS.COM

Technical Support: techsupport@badboymowers.com
Warranty:..... warranty@badboymowers.com
Parts: partsdept@badboymowers.com

WARRANTY REGISTRATION

Ensure selling dealership has registered mower within
30 days of purchase to validate warranty.

Please record your serial number, date of purchase and dealership information
for your records.

Serial # _____

Date of Purchase _____

Dealer Information _____



For additional information, please see us at

www.badboymowers.com

Bad Boy, Inc.
102 Industrial Drive
Batesville, Arkansas 72501