

OUTLAW XP MODEL ZERO-TURN MOWER **OWNER'S, SERVICE & PARTS MANUAL**

For additional information, please see us at
www.badboymowers.com

Bad Boy, Inc.
102 Industrial Drive
Batesville, Arkansas 72501



TABLE OF CONTENTS

| | | |
|-------------------------------------|-------------------|---------|
| Basic Information | Section 1 | Page 4 |
| Bad Boy Safety Guidelines..... | Section 2 | Page 5 |
| Operation | Section 3 | Page 9 |
| Maintenance..... | Section 4 | Page 10 |
| Storage and Transportation..... | Section 5 | Page 10 |
| Troubleshooting and FAQ | Section 6 | Page 12 |
| Controls..... | Section 7 | Page 13 |
| Moving In-operable Mower..... | Section 8 | Page 14 |
| Instrumentation | Section 9 | Page 14 |
| Mower Blade Maintenance..... | Section 10 | Page 15 |
| Greasing Bearings..... | Section 11 | Page 15 |
| How To Choose the Right Blade | | Page 16 |
| Mowing Tips | | Page 17 |
| Service Section | | Page 18 |
| Parts Section..... | | Page 40 |
| Limited Warranty | | Page 61 |



THIS MANUAL APPLIES TO THE FOLLOWING EQUIPMENT:

BAD BOY OUTLAW XP SERIES

- OUTLAW XP 5400 54" 852CC Kawasaki FX850
- OUTLAW XP 6100 61" 852CC Kawasaki FX850
- OUTLAW XP 7200 72" 852CC Kawasaki FX850
- OUTLAW XP 6100 61" 824CC Yamaha EFI
- OUTLAW XP 7200 72" 824CC Yamaha EFI
- OUTLAW XP 6100 61" 933CC Vanguard
- OUTLAW XP 7200 72" 933CC Vanguard

COMMONLY USED ITEMS AND PART NUMBERS

| | | | |
|------------------|------------------------------------------------------------------------------------------------------------|--------------------------------|---------------------------------|
| 54" Blade | Hi-Lift Fusion 038-0001-00 | Gator Blade 038-0003-00 | Wave Blade 038-5220-00 |
| 61" Blade | Hi-Lift Fusion 038-6080-00 | Gator Blade 038-6081-00 | Wave Blade 038-6090-00 |
| 72" Blade | Hi-Lift Fusion 038-7230-00 | Gator Blade 038-5400-00 | Wave Blade 038-7215-00 |
| Deck Belt | 54" 041-1650-00 | 61" 041-0178-00 | 72" 041-0202-00 |
| Pump Belt | 041-8411-00 | | |
| Oil Filter | Vanguard 993cc 063-8018-00 | Kawasaki FX850v 063-8017-00 | Yamaha 824CC EFI 015-0053-02 |
| Air Filter | Inner Filter 063-8020-00 | | Outer Filter 063-8019-00 |
| Fuel Filter | 063-6000-00 | | |
| Hydraulic Filter | 063-8014-00 | | |
| Spark Plug | Vanguard 993cc 015-8000-00 | Kawasaki FX850v 015-8001-00 | Yamaha 824CC EFI 015-0056-06 |
| Motor Oil | 10W-30 Motor Oil - Bad Boy Synthetic Blend Motor Oil Recommended. 085-6015-00 | | |
| Hydraulic Oil | 20W-50 Motor Oil - Bad Boy Hydrostatic Oil Recommended (Approximately 2.5 Quarts/Transaxle) 085-6000-00 | | |



SECTION 1: BASIC INFORMATION

Congratulations on the purchase of your new Bad Boy Mower! The purpose of this manual is to assist operators in maintaining and operating their machine. The information and instructions in this manual can help you attain years of performance from your new Bad Boy. Also, check out our website to learn more about the Bad Boy family.

- 1.1 All Bad Boy engines use 10W-30 engine oil. For maximum protection, Bad Boy synthetic blend engine oil is recommended.
- 1.2 All Bad Boy hydraulic systems use 20W-50 engine oil (Conventional or Synthetic). Bad Boy Hydrostatic oil is recommended.
- 1.3 All Bad Boy Mowers use hi-temp multi-purpose grease. NLGI No. 2 for the grease fittings.
- 1.4 Outlaw models have 12 psi in both front and rear tires.
- 1.5 Most Briggs, Kohler, Kawasaki, and Vanguard engines hold approximately two (2) quarts of motor oil. Be careful not to over fill engine oil. Refer to engine's service manual.

WARRANTY REGISTRATION

The Warranty Registration form must be completed within 30 days to validate your warranty. As the new equipment owner, you are expected to see that the form is completed and forwarded to Bad Boy Inc. at time of delivery. Warranty is nontransferable. **Warranty registration should be completed by the selling dealership using the on-line registration site.**

MODEL/SERIAL NUMBER

Your OUTLAW XP model serial numbers are found on the SIN plate underneath the seat. These numbers can assist you in the ordering of new parts when replacements become necessary.

PARTS/SERVICE

Only Bad Boy replacement parts are to be used on your mower. Replacement parts are available through your local Bad Boy Mowers Dealer. Remember to always provide the following information when ordering parts:

1. Correct part number
2. Correct serial number

All warranty repair and service must be handled through your authorized Bad Boy Mowers Dealer. To locate the nearest dealer, go to our website and click on Locate a Dealer.

EVAPORATIVE EMISSION CONTROL WARRANTY STATEMENT

Federal Evaporative Emission Control Warranty: Your Warranty Rights and Obligations

The Environmental Protection Agency (EPA), and Bad Boy Inc. are pleased to explain the evaporative emission control system's warranty on your 2018 equipment. New equipment that uses spark ignition engines for off-road use must meet stringent anti-smog standards. The evaporative emission control system on your equipment is designed, built, and equipped so it conforms at the time of sale to the ultimate purchaser with the requirements of 40 CFR 1060. The evaporative emission control system is free from defects in materials and workmanship that may keep it from meeting said requirements. Bad Boy Inc. must warrant the evaporative emission control system on your equipment for two years provided there has been no abuse, neglect, or improper maintenance. If an evaporative emission control system component does fail in a manner that would cause the equipment to no longer meet the requirements of 40 CFR 1060 within the first two years Bad Boy Inc. will replace the defective component. Your evaporative emission control system may include parts such as fuel tanks, fuel lines, carbon canisters, fuel caps, valves, vapor hoses, clamps, or connectors.



SECTION 2: MOWER SAFETY GUIDELINES

Never allow untrained people to operate this machine. It is the owner's responsibility to get training and see to it that anyone who has permission to use your machine receives the proper training. Do not mow around people. The factory discharge chute is designed to deflect debris downward, but it could be possible for debris to be thrown in a way that can cause damage to people or property. Seek additional training when possible to learn more about safety techniques and practices. **This cutting machine is capable of amputating hands and feet and throwing objects. Failure to observe the following safety instructions could result in serious injury or death.**

GENERAL OPERATION

- 2.1 Read, understand, and follow all instructions on the machine and in the manual before starting.
- 2.2 Do not put hands or feet near rotating parts or under the machine. Keep clear of the discharge opening at all times.
- 2.3 Always remain seated while operating the machine. If the machine is equipped with Roll Over Protection (ROPs), **make sure the ROPs are in the upright and locked position and always buckle your seat belt.**
- 2.4 Only allow responsible adults who are familiar with the instructions to operate this machine.
- 2.5 Clear the area of objects such as rocks, wire, toys etc., which could be thrown by the blades
- 2.6 Always maintain a safe distance from people and pets just prior to, and during, operation. Stop the machine if anyone enters the area.
- 2.7 Never carry passengers.
- 2.8 Do not mow in reverse unless absolutely necessary. Always look down and behind before and while backing.
- 2.9 Never direct discharged material toward anyone. Avoid discharging material against a wall or obstruction as material may ricochet back toward the operator. Stop the blades when crossing gravel surfaces.
- 2.10 Never operate the machine without the discharge chute, grass catcher, or other safety devices correctly in place and functioning properly.
- 2.11 Slow down before turning.
- 2.12 Always disengage blades, place steering controls in neutral, engage parking brake, and remove ignition key when leaving operators seat. Never leave a running machine unattended.
- 2.13 Disengage blades when not mowing. Shut off engine and wait for all parts to come to a complete stop before cleaning the machine, inspecting the machine for damage, removing the grass catcher, or unclogging the discharge guard.
- 2.14 Always operate machine in daylight or with adequate working lights.
- 2.15 Do not operate the machine while under the influence of alcohol or drugs.
- 2.16 Watch for traffic when operating near or crossing roadways.
- 2.17 Always wear eye protection when operating or servicing the machine.
- 2.18 Always wear ear protection, such as earplugs, while mowing.
- 2.19 Use extra care when loading or unloading the machine into a trailer or truck.
- 2.20 Be alert of surroundings. Watch for rocks, stumps, mounds, depressions, and low hanging limbs or objects that could be potentially hazardous while mowing.
- 2.21 Data indicates that operators 60 years of age and above are involved in a large percentage of riding mower related injuries. These operators should periodically evaluate their ability to operate the riding mower safely enough to protect themselves and others from serious injury.



SLOPE OPERATION

Slopes are a major factor related to loss of control and tip over accidents, which can result in severe injury or death. Operation on all slopes requires extra caution. If you cannot back up the slope, or you feel uneasy on it, do not mow it.

- 2.22 Mow up and down slopes, not across.
- 2.23 Watch for holes, ruts, bumps, rocks, or other hidden objects that tall grass can obscure. Uneven terrain could overturn the machine.
- 2.24 Choose a low ground speed when operating the machine on a slope.
- 2.25 Do not mow on wet grass, the tires may lose traction.
- 2.26 Do not attempt to coast down a slope in the neutral position.
- 2.27 Avoid starting, stopping, or turning on a slope. If the tires lose traction, disengage the blades and proceed slowly, straight down the slope.
- 2.28 Keep all movement on slopes slow and gradual. Sudden changes in speed or direction could cause the machine to roll over.
- 2.29 Use extra care while operating machine with grass catchers or other attachments: they can affect the stability of the machine. Do not use on steep slopes.
- 2.30 Do not try to stabilize the machine by putting your foot on the ground.
- 2.31 Do not mow near drop offs, ditches or embankments. The machine could suddenly roll over if a wheel goes over the edge or the edge caves in.
- 2.32 Be aware of what is located at the bottom of slopes. For example: rocks, water, cliffs, and roadways.

CHILDREN

Tragic accidents can occur if the operator is not alert to the presence of children. Children are often attracted to the machine and the mowing activity. NEVER assume that children will remain where you last saw them.

- 2.33 Keep children out of the mowing area and in the watchful care of a responsible adult other than the operator.
- 2.34 Maintain Alertness and turn machine off if a child enters the area.
- 2.35 Before and while backing, look behind and down for small children.
- 2.36 Never carry children, even with blades shut off. They may fall off and be seriously injured or interfere with safe machine operation. Children who have been given rides in the past may suddenly appear in the mowing area for another ride and be run over or backed over by the machine.
- 2.37 Never allow children to operate the machine.
- 2.38 Never leave the key in the ignition, especially around children.
- 2.39 Use extreme care when approaching blind corners, shrubs, trees, or other objects that may block your view of a child



TOWING

Max pulling weight: 600 lbs.

Max at 5°: 530 lbs.

Max tongue weight: 54" = 85 lbs.; 61" = 90 lbs.; 72" = 95 lbs.

- 2.40 Tow only with a machine that has a hitch specifically designed for towing. Do not attach towed equipment except at the hitch point.
- 2.41 Follow the manufacturer's recommendation for weight limits for towed equipment and towing on slopes.
- 2.42 Never allow children or others in or on towed equipment.
- 2.43 On slopes, the weight of the towed equipment may cause loss of traction and loss of control.
- 2.44 Travel slowly and allow extra distance to stop.

SERVICE

SAFE HANDLING OF GASOLINE

To avoid personal injury or property damage, use extreme care in handling gasoline. Gasoline is extremely flammable and the vapors are explosive.

- 2.45 Extinguish all cigarettes, cigars, pipes, and all other sources of ignition.
- 2.46 Use only an approved gasoline container.
- 2.47 Never remove gas cap or add fuel with the engine running.
- 2.48 Allow engine to cool before refueling.
- 2.49 Never fuel the machine indoors.
- 2.50 Do not store machine near open flame or source of ignition, such as a water heater or furnace.
- 2.51 Remove gas powered equipment from the truck or trailer and refuel it on the ground. If this is not possible, then refuel such equipment with a portable container, rather than from a gasoline dispenser nozzle.
- 2.52 Never fill gasoline containers inside a vehicle or on a truck or trailer bed with a plastic liner. Always place containers on the ground away from your vehicle before filling.
- 2.53 Keep the nozzle in contact with the rim of the fuel tank or container opening at all times until the fueling is complete. Do not use a nozzle lock-open device.
- 2.54 If fuel is spilled on clothing, change clothing immediately.
- 2.55 Never overfill fuel tank. Replace gas cap and tighten securely. **Tank is full when level reaches bottom of fill tube.**

GENERAL SERVICE

- 2.56 Never operate machine in a closed area where dangerous carbon monoxide fumes can collect.
- 2.57 Keep all nuts and bolts tight to be sure the equipment is in safe working condition. Never operate a poorly maintained machine.
- 2.58 Do not touch hot areas of the machine.
- 2.59 Never interfere with the intended function of a safety device or reduce the protection provided by a safety device. Check their proper operation regularly.



- 2.60 Keep the entire machine free of grass, leaves, or other debris build up. Clean up oil or fuel spillage and remove any fuel soaked debris. Failure to do so can affect the safety and functionality of the machine, as well as increase the danger of a fire due to contact with the hot surfaces of the machine.
- 2.61 Allow machine to cool before storing.
- 2.62 If you strike something with the mower, turn the mower and blades off, engage the parking brake, and inspect the machine for damage. Repair, if necessary, before resuming.
- 2.63 Never make any adjustments or repairs with the engine running.
- 2.64 Check grass catcher components and the discharge guard frequently and replace with manufacturer's recommended parts, when necessary.
- 2.65 Mower blades are sharp. Wrap the blade or wear gloves before servicing them.
- 2.66 Check parking brake operation frequently. Adjust and service as required.
- 2.67 Maintain or replace safety and instruction labels, as necessary.
- 2.68 Do not attempt to mount a tire without the proper equipment and experience to perform the job.
- 2.69 Always maintain the correct tire pressure. Do not inflate the tires above the recommended pressure. Never weld or heat a wheel and tire assembly. The heat can cause an increase in air pressure resulting in a tire explosion. Welding can structurally weaken or deform the wheel.
- 2.70 Park machine on level ground. Never allow untrained personnel to service machine. Understand service procedure before doing work.
- 2.71 Mower deck, frame, and engine compartment should remain free of debris to prevent premature parts failures or fire hazards.

SAFETY INTERLOCK SYSTEM

Your Bad Boy mower is equipped with a safety interlock system. This system is designed to prevent serious injury or death to the operator and other people or property damage. The system consists of an operator presence switch in the seat, the parking brake, drive lever neutral position, the mower blade engagement switch, and the ignition switch. These interlocks are vitally important and must be tested frequently. Following are instructions to test these very important safety precautions. **Note: the operator must be seated properly on the machine during these tests and the engine should have been previously allowed to warm to operating temperature.**

- 2.72 With the parking brake engaged, bring lever arms to their inward position Attempt to start the machine with the blade actuator in off position. The engine should not start.
- 2.73 On a level surface, disengage the parking brake and place lever arms to their outward position. Then, attempt to start the machine with the blade actuator in off position. The engine should not start.
- 2.74 Engage parking brake and leave lever arms in outward position. Put blade actuator in the on position, then attempt to start the machine. The engine should not start.
- 2.75 Next, start the engine as stated in the Mower Operation Section. Disengage parking brake and, Very Slowly, begin to rise from the seat. The engine should stop.

If any of these tests fail to produce the results indicated and the problem cannot be identified, contact your Bad Boy Mower dealer or the support contacts in the rear of this manual.

ROLL OVER PROTECTION STRUCTURES (ROPS)

This machine is not equipped with ROPS from the factory. If ROPS are added as an option, it is vital that the rules below are adhered to. ROPS, when used correctly, dramatically decrease the fatality rate in roll-over instances.

- 2.76 Periodically ensure the bolts that attach the ROPS to the machine are securely fastened.
- 2.77 Always operate the machine with the ROPS secured in the upright position.
- 2.78 If the surrounding environment (e.g. low-lying limbs, signage, etc.) makes it impossible to mow with the ROPS upright, lower the ROPS at the hinge point, mow the area, then immediately secure the ROPS upright.
- 2.79 Upright ROPS are taller than then operators head. Be aware of this and your surrounding environment, as referenced above. The mower and operator may clear low lying items, but the ROPS may not.
- 2.80 Always wear the provided seat belt when ROPS are utilized. Failure to use the seat belt severely handicaps the safety benefits of the ROPS.
- 2.81 In the event of a roll-over, replace the ROPS before resuming use of the machine.



SECTION 3: MOWER OPERATION

Never operate the machine with faulty equipment. Always be alert of sudden changes in landscape, as the mower will react differently on slopes or embankments than it will on flat surfaces. Never operate the mower with the discharge chute open. Do not cross terrain, other than grass, with blades turning. This could cause damage to property or bystanders.

- 3.1 Place parking brake in up position.
- 3.2 Drive arms must be in the "open" position. While sitting on the machine, each arm is positioned away from the operator, to the right and left. Drive arms will lock into place and must be in this position to start machine.
- 3.3 Put PTO switch in the OFF position.
- 3.4 If your machine has been equipped with a ROPS (Roll Over Protection System) then you must fasten seatbelt.
- 3.5 If machine has not been started recently, engage the choke.
- 3.6 Make sure nothing is under or around machine.
- 3.7 Place key in ignition and turn.
- 3.8 Once machine is started, disengage the choke.
- 3.9 Increase RPM by sliding the throttle to fast position, toward the rabbit.
- 3.10 Owners must become familiar with the controls before operating a zero-turn radius vehicle.
- 3.11 Start slowly and build your skill level. Have ample practice before using the machine at full capabilities.
- 3.12 Be comfortable with machine before engaging blades. Know what each component controls before using machine.
- 3.13 Your mower will perform differently on an incline /decline. Be cautious, slow down, and do not make any sudden jerking movements with control arms. The machine could lose traction on a decline or tip backwards on an incline.
- 3.14 Once you become comfortable with your Bad Boy Mower you will notice your overall mowing time will decrease.

*Avoid operating your mower on side hills of over 5 degrees,
inclines of over 10 degrees,
and declines of over 15 degrees.*



SECTION 4: MOWER MAINTENANCE

| Maintenance | Interval | | | | | Section |
|-------------------------------------------------------|----------|---------------|-----------------------------|------------------------------|-----------------|---------------------------|
| | Daily | First 5 Hours | Every 50 Hours or Annually* | Every 100 Hours or Annually* | Every 250 Hours | |
| Check and add engine oil | ● | | | | | Section 3 |
| Check all belts for proper alignment | ● | | | | | Section 2 (Pump) 6 (Deck) |
| Check tire pressure and wheel lug nuts | ● | | | | | Section 5 |
| Check battery terminal connections | ● | | | | | Section 4 |
| Check condition of blades | ● | | | | | Section 6 |
| Check for fuel and oil leakage | ● | | | | | Section 3 |
| Initial oil change | | ● | | | | Section 3 |
| Tighten nuts and screws | | | ● | | | |
| Change engine oil and filter | | | ● | | | Section 3 |
| Initial change of hydraulic oil and filter | | | ● | | | Section 1 |
| Grease mower | | | | ● | | Section 5 |
| Replace air element and pre-cleaner♦ | | | | ● | | Section 3 |
| Replace fuel filter♦ | | | | ● | | Section 3 |
| Clean or replace spark plugs and set gap | | | | ● | | Section 3 |
| Change hydraulic oil and filter | | | | | ● | Section 1 |
| Clean combustion chamber ^{Dealer} | | | | | ● | |
| Check and adjust valve clearance ^{Dealer} | | | | | ● | |
| Clean and lap valve seating surface ^{Dealer} | | | | | ● | |

*Maintenance by hour or annually whichever comes first

♦Check air and fuel filter more often in dusty conditions

^{Dealer}Get maintenance performed at a registered dealership

SECTION 5: MOWER STORAGE & TRANSPORTATION

- 5.1 Keep machine from collecting debris by storing in a covered area while not in use.
- 5.2 Fuel can harm your machine if left for more than 30 days without changing, especially if the fuel contains ethanol. Never use fuel with more than 10% ethanol by volume. E-15 is not permitted.
- 5.3 Disconnect the negative battery cable when machine will be stored for more than 30 days.
- 5.4 Always secure machine properly when transporting machine.
- 5.5 Do not load machine on trailer with blades engaged.
- 5.6 Do not use ramps to load the machine.
- 5.7 Make sure Parking Brake is in "up" position.
- 5.8 In wet conditions tires may spin while loading / unloading. If necessary, wait for dry conditions before loading/unloading.
- 5.9 Make sure mode of transportation is suitable to bear the weight of mower.
- 5.10 Deck height should be set at maximum before attempting to load.
- 5.11 Secure mower with at least two straps capable of securing weight of mower.



SECTION 6: TROUBLESHOOTING

6.1 **Q: *How do I prevent an uneven cutting pattern and increase the quality of cut?***

A: Check tire pressure, check blade sharpness (replace blades or sharpen at least once per year or when needed), make sure blades are tightened properly, check spring and belt tension, check the underside of the deck to ensure the mower deck is free of grass build-up and debris, make sure your machine is at full throttle, and vary your mowing pattern each time you cut your grass.

6.2 **Q: *What should I do if my mower won't start?***

A: Check battery charge and connection (grounds), check your fuel (make sure fuel is less than 30 days old and contains no water), make sure your spark plug is in good condition and spark plug wire is attached, and make sure air filter is clean (a dirty filter makes it more difficult for the engine to draw air). Check the integrity of the 25-amp main fuse; also check for any bare wires and/or bad connections.

6.3 **Q: *What should I do if the blades won't engage?***

A: Make sure the safety switch is plugged in on the bottom of seat. Check the underside of the PTO engager to ensure the plug is secure at switch. Also check PTO fuse underneath operator console (10-amps)

6.4 **Q: *What type of fuel is recommended for my mower?***

A: We recommend that you use a name brand fuel to ensure quality. Use fuel with an octane rating near 87. Higher octane fuels offer no benefit. Only fuels with an ethanol content of 10% or less may be used. By law, E-15 fuel is not permitted. Usage of E-15 will result in premature engine failure.

6.5 **Q: *Do you offer touch-up paint for your mowers?***

A: Touch-up paint is available. Contact your local dealer for more information.

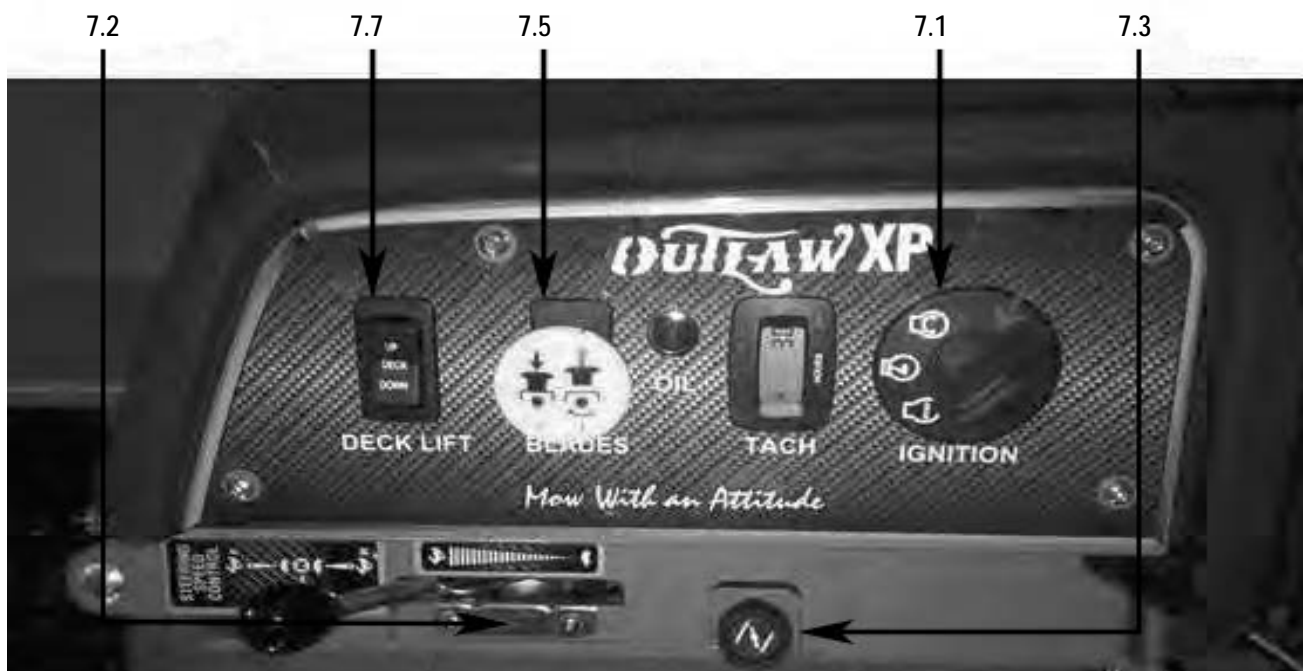
6.6 **Q: *How do I clean my mower?***

A: It is recommended that you use an air hose or blower to remove dust and debris from the mower, to ensure there is not a buildup of grass on the mower deck and engine compartment, which could become a fire hazard. If you must wash the mower, ensure you run the engine to operating temp to dry water and engage the blades to spin off any standing water on the pulleys. Avoid spraying water onto electrical components and bearings to prevent premature failure of these parts.



SECTION 7: CONTROLS

- 7.1 **Ignition Switch:** Bad Boy mowers have a three-position ignition switch: off, run, and start. With key inserted, rotate it clockwise to START position and release key when engine starts, and switch will automatically return to the RUN position.
- 7.2 **Throttle Control:** A cable is connected to the engine throttle for controlling engine speed. Move lever forward to increase engine rpm, move lever backward to decrease engine rpm.
- 7.3 **Choke Control:** The choke control, located to the right of the operator's left, is a 'push-pull' type. When the choke knob is pushed in, the choke is in the off (run) position. When the choke is pulled out it is in the on (start) position. **Do not operate the machine in the on (start) position.**
- 7.4 **Control Levers:** (Not Shown) These levers control the mower's speed, direction, and neutral lock. These levers are used to steer, accelerate, decelerate and change direction.
- 7.5 **Blade Engage Switch:** This switch engages the blades. Pull the switch up to engage the blades and push the switch down to disengage the blades.
- 7.6 **Parking Brake:** (Not Shown) This lever engages the parking brake. Pull back fully to engage the parking brake; push forward to disengage.
- 7.7 **Deck Height Adjust:** OUTLAW XP has a rocker switch for deck height adjustment.





SECTION 8: MOVING INOPERABLE MOWER

- 8.1 Do not tow machine. Use a winch to load on a trailer for transporting.
- 8.2 **ATTENTION:** RETURN BYPASS VALVES TO OPERATING POSITION BEFORE RUNNING MOWER FOLLOWING REPAIRS.
- 8.3 If it is necessary to move mower when the engine is inoperable, the hydraulic drive pumps are equipped with bypass valves. Before moving the mower, turn the bypass valves counterclockwise one-half to one revolution. The bypass valve bolts are located on the side of each pump and are easily identified by the hole through the bolt heads

Your Bad Boy Mower Weighs: **OUTLAW XP SERIES: 1180-1310 lbs.**

****Weights fluctuate with the addition of accessories.*

- 8.4 As you can see by the weights of the machines, you shouldn't ever try to push or pull a Bad Boy Mower by hand. This could cause serious bodily injury.
- 8.5 Hopefully, you'll never need to use this section of the manual. However, if you do, use extreme caution when moving machine!

SECTION 9: INSTRUMENTATION

- 9.1 **Electronic Hour Meter:** Displays total operating hours (0.1 hour increments, up to 9,999.9 hours), resettable timers, oil change reminders (5 hour break-in reminder followed by 50 hour interval reminders), air filter cleaning reminder, and RPM gauge. Press button to cycle between functions. To reset a timer, depress and hold button for 2 seconds.



SECTION 10: MOWER BLADE MAINTENANCE

- 10.1 Check mower blades after each use. This is essential for maintaining well-groomed turf. Keep the blades sharp. If a dull blade is used for cutting, the grass will tear rather than cut. This could damage the grass leaving a brown frayed top on the grass within a few hours. A dull blade will also require more power from the engine.
- 10.2 NEVER attempt to straighten a bent blade by heating. NEVER attempt to weld a cracked blade. The blades can break and cause serious injury or death.
- 10.3 NEVER work with blades while engine is running or deck clutch is engaged.
- 10.4 ALWAYS place deck clutch in DISENGAGE position while performing maintenance.
- 10.5 Use blocks when you MUST work under mower.
- 10.6 ALWAYS wear thick gloves when handling blades.
- 10.7 ALWAYS check for blade damage if mower strikes rock, branch, or other objects that could potentially damage the blade.

***(REMEMBER: NEVER CHECK BLADE WHILE ENGINE IS ON!
NEVER CHECK BLADES WHILE BLADES ARE ENGAGED!)***

SECTION 11: EQUIPMENT LUBRICATION

- 11.1 Park the machine on a level surface and disengage the blade control switch.
- 11.2 Move the motion control levers outward to the neutral position, engage parking brake, stop the engine, remove the key, and wait for all moving parts to stop before leaving the operating position.
- 11.3 Grease Type: NLGI grade #2 multi-purpose gun grease.
- 11.4 Clean the grease fittings with a cloth. Scrape any paint off the front of the fitting(s).
- 11.5 Connect a grease gun to each fitting. Pump grease into the fitting until grease seepage is observed. Be mindful of over-pressurization. Do not force the lever arm if there is strong back pressure as this can lead to reduced life of the component(s). Wipe up excess grease.
- 11.6 Refer to service manual section for grease fitting locations.



HOW TO CHOOSE THE RIGHT BLADE

Essentially there are only TWO basic styles of mowing blades used or approved for use on our current products:

1. The standard style of mowing blade is essentially designed for cutting grass and effectively discharging the clippings out from the deck to fall onto the lawn or to be captured in a grass collection system. Standard blades are also referred to as "2-in-1" (discharging & bagging) or "high-lift" blades (because they are designed to create a higher-lifting airflow).
2. Mulching blades generally have a more curved style surface and frequently include extra cutting surfaces along the blade edges. These blades may also come in a "+" design (which is actually two individual blades arranged in a perpendicular fashion to enhance mulching). The "+" blades are usually found on older style mowers; newer ones utilize blades with more advanced mulching technology. Mulching blades may also be referred to as "3-in-1" (mulching, discharging & bagging) or "all-purpose" blades.

Bear in mind that the re-circulating airflow design of 3/1 blades makes them less efficient at discharging grass clippings than a standard 2/1 blade. As with most all-purpose tools, there is some give and take as opposed to using a tool designed for a more specific purpose.

If you're experiencing less-than-desired cutting or discharging performance with a 3/1 blade, you may want to check into using a 2/1 blade. Conversely, if you're using a 2/1 blade and want to mulch clippings, you should see about the availability of mulching blades or a mulching kit. *

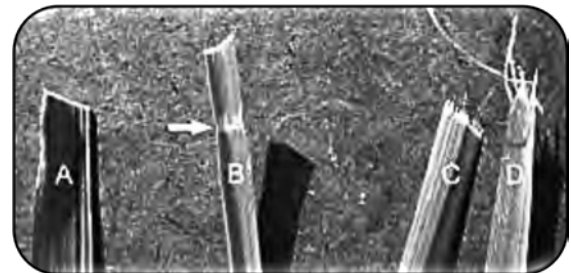
The type of blade installed on a new mower is a decision the retailer makes for each model of mower, based on the expected needs of most customers. If you're unsure of which blade is on a particular model, inspect the blade. Blades have part numbers stamped into them. Then compare these part numbers with the unit's Operator's Manual or Parts List.

It is true there are many other styles of blades available. But since we don't manufacture or recommend using these other aftermarket styles, we will leave them out of this discussion. Should you want more information on special application or aftermarket blades, you should contact the companies that make these products. NOTE: Customers using non-OEM blades do so at their own risk. The use of unapproved (non-OEM) blades may void any or all of the mower and engine factory warranties.

* **MULCHING KITS** – These generally consist of mulching blades and a mulching plug (which closes off the discharge opening to keep the clippings contained under the deck for re-cutting) plus any necessary hardware for installation. Please check with your parts distributor regarding the contents of a particular mulching kit.

MOWING TIPS:

- Mow header strips at the ends of the lawn and around flower beds first. Make them wide enough that you can turn the mower around in the already mown section. Then mow back and forth between these header strips overlapping each lap by about 1/8 the width of the mower's deck.
- Don't cut your grass too short, particular for cool season grasses. Higher heights usually provide for a deeper root system, looks better, and is less likely to have weeds invading, particularly crabgrass.
- Don't remove any more than one third of the grass leaf at any one cutting. If circumstances arise that a lawn gets too tall and you just have to lop off a bunch to get caught up, bite the bullet and break it down into several mowings to get caught up with 3 or so days between cuttings.
- NEVER SCALP YOUR LAWN.** Scalping severely damages the root system to such a degree that it may die.
- Avoid mowing when the grass is wet or when it's dark
- Avoid throwing grass clippings into the street and driveway where they can be washed into the sewer system. After mowing, clean up driveway and walkways.
- When mowing remove only a third of the height of the grass with each cutting (except for the first mowing of the season when it's ok to remove more). You can safely leave clippings that will quickly decompose and add nutrients back into the soil. Contrary to popular opinion, grass clippings do not add to thatch buildup. Grass blades are made up of about 75% water.
- Mow your lawn in a different direction with each mowing, especially with lawns of shorter grass types. Altering the direction ensures a more even cut since grass blades will grow more erect and less likely to develop into a set pattern.
- Keep your mower's blade sharp, which means having it sharpened several times during the mowing season. Keep several blades around so you'll always have a sharp one on hand. Sharp blades cut the grass cleanly and help mulch clippings into small pieces which break down quickly.
- Don't forget to change your mower's oil at least once during the mowing season. For brand new mowers, change the oil after about 5 hours of operation during the initial break-in period.
- At the end of the mowing season use a fuel stabilizer in the remaining gasoline
- In the spring, don't use that old gas unless you properly used a fuel stabilizer, it can cause a number of problems. Better to use fresh gasoline to begin the new mowing season.
- Leaf blade A** demonstrates what a leaf blade should look like after mowing with a sharp blade.
- Leaf blade B** demonstrates a leaf blade that was injured by a dull mower blade.
- Leaf blade C** was cut by the mower but indicates that the mower blade is not sharp enough. The shredded white tissue protruding from the leaf blades C and D is the vascular tissue of the plant.
- Leaf blade D** has been mown for quite some time with a dull mower blade.



The leading edge of the blade enclosure is equipped with an adjustable guard. When the guard is set to a higher position, it allows incoming grass to remain in a more upright position just prior to being cut. The result is a higher quality cut.

TO BAG OR TO MULCH?

Grass clippings do not contribute to thatch buildup or increase the chances of disease. If you mow your lawn at the right height, without removing any more than 1/3 of its total height, clippings will quickly breakdown without a trace. These clippings contribute additional nitrogen and other nutrients to the soil and supply it with additional organic materials. Clippings from a 1000 sq. ft. lawn can add as much as 1 - 2 pounds of nitrogen back into the soil. If you have a compost pile, then you may want to bag your clippings occasionally to add much needed green-matter to the compost pile. Make sure it is mixed thoroughly with brown matter to avoid a strong ammonia odor. **DO NOT COMPOST CLIPPINGS** after applying any weed control or weed-feed type product. Before adding clippings to the compost pile wait at least 3 mowings after these products have been applied.





SERVICE SECTION

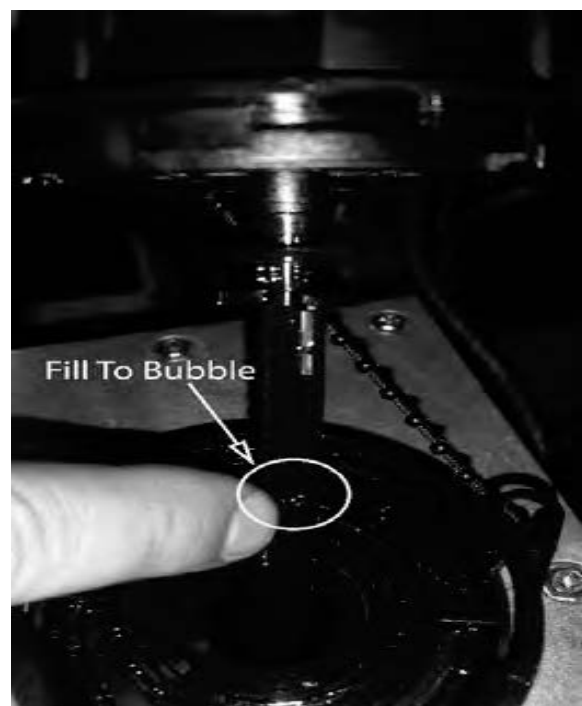
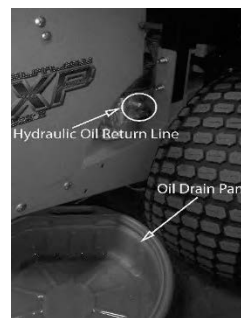
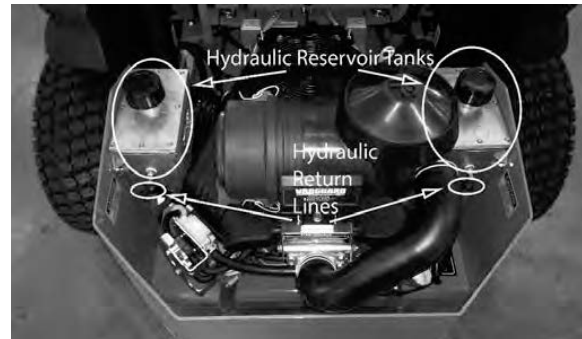
SECTION 1: HYDROSTATIC SYSTEM

The hydraulic reservoir tank on the Outlaw XP model is located on each side of the rear cover. There is a dipstick that indicates the current hydraulic oil level. Use only 20W-50 motor oil in this tank. Conventional or synthetic oil may be used. Bad Boy Hydrostatic Oil is recommended. Bad Boy recommends that the hydraulic oil and filters be changed within the first 50 hours of use; then at intervals of 250 usage hours. Use only Bad Boy replacement filters. Use of any other filters may result in damage to the hydraulic system and void the warranty. Each side requires approximately two quarts of oil to refill the system.

THE FOLLOWING MAINTENANCE IS TO BE PERFORMED ON A LEVEL SURFACE.

CHANGING YOUR HYDRAULIC OIL AND FILTER

1. Place an oil pan under the engine. Locate the clear oil return lines that come from the hydraulic pump and connect to the back side of the oil tanks as labeled in the picture above. Disconnect the return lines from the reservoir and place them into the oil drain pan.
2. Start the engine in order to cycle out the old hydraulic oil.
3. When you see air bubbles in the hydraulic lines **immediately shut off the mower**. keep in mind that only 75-80% of the hydraulic oil can be changed at a time.
4. Place rags under the hydraulic filters. Turn the hydraulic filters counter clockwise to remove.
5. Fill the new hydraulic oil filters with 20W-50 motor oil. Only use Bad Boy replacement filters.
6. Place the hydraulic return lines back onto the hydro oil reservoirs. Fill each hydraulic reservoir tank until the oil level reaches the bubble on the dipstick. Be careful not to overfill the hydraulic reservoir tanks.
7. Proceed to the purge procedure.
8. Recheck oil level and fill as necessary.

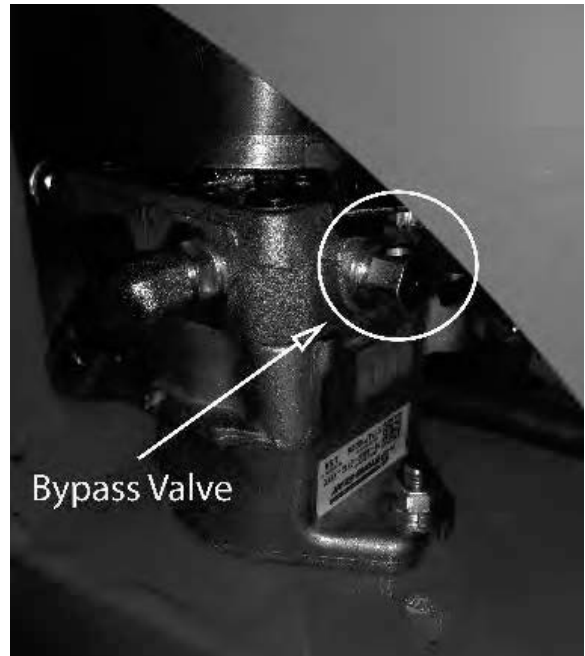


PURGING PROCEDURE

Due to the effects air has on the efficiency in hydrostatic drive applications, it is critical that the air is purged from the system. These purge procedures should be implemented any time a hydrostatic system has been opened to facilitate maintenance or any additional oil has been added to the system.

1. Lift the rear tires of the mower off of the ground and chock your front tires so they do not move.
2. With the bypass valve open and the engine running, slowly move the directional drive arms in the forward and reverse directions (5 to 6 times), as air is purged from the unit, the oil level will drop.
3. With the bypass valve closed and the engine running, slowly move the directional drive arms in the forward and reverse directions (5 to 6 times). Check the oil level, and add oil as required after stopping the engine.
4. It may be necessary to repeat steps 2 and 3 until all the air is completely purged from the system. When the transaxle moves forward and reverse at normal speed purging is complete.

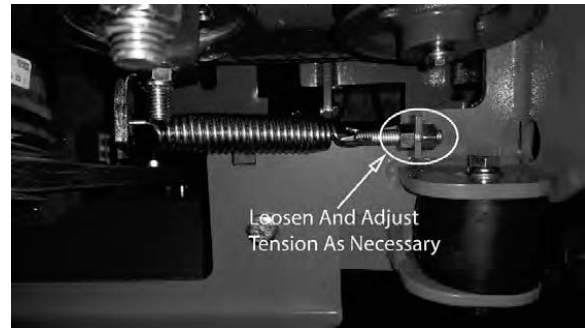
When adjusting the tracking on the mower, the length of the pushrods can be changed by screwing the pivot joint in or out on the ends of the rods. Shortening the overall length of the rod slows the pump down. Lengthening the rod will increase the speed of the pump.





SECTION 2: DRIVE BELT

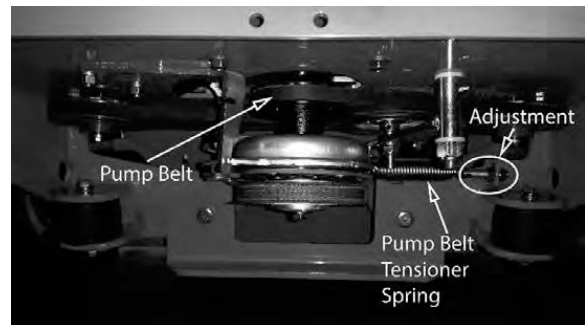
Shown on the right is the tensioner for your pump belt. Adjusting this will either increase or decrease tension on the belt. Use a 3/4" wrench to loosen the jam nuts and either tighten for more belt tension or loosen for less belt tension.



The belt tension should be set to 50-60 lbs.



Use a belt tension gauge to ensure the proper tension. Your dealer or service center will have belt tension gauge or you can buy one from the Bad Boy Parts Department by calling 866-622-3629 and ask for Parts Department. (Part Number 041-9999-00)



SECTION 3: ENGINE

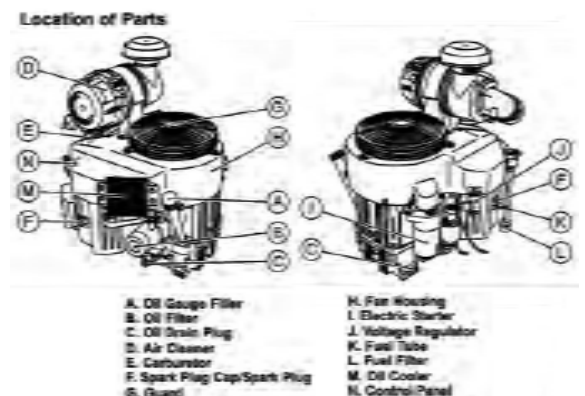
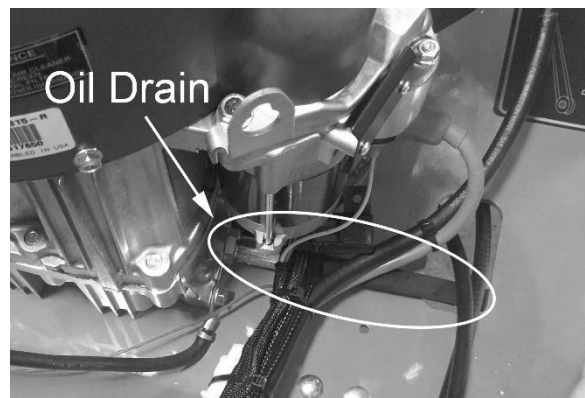
KAWASAKI FX850V

This machine has an oil drain hose installed on the engine to allow for easier oil changes. Bad Boy recommends that the oil and filter be changed after the initial 8 hrs. of use, and at intervals of 50 usage hours or yearly, whichever occurs first after that. The oil capacity is 2 quarts. Bad Boy 10W-30 synthetic blend engine oil is recommended for maximum protection.



CHANGING YOUR ENGINE OIL AND OIL FILTER

1. Remove oil dipstick and open oil drain using a 10 mm socket or a flat head screwdriver until oil begins flowing. Allow oil to completely drain. (Make sure to have an oil pan ready to capture old oil and properly dispose old oil.)
2. The oil filter is located on the right side of the engine. Clean area around oil filter. Place a container under the oil filter to capture any oil and remove filter. Wipe off mounting surface and reinstall drain plug. Torque to 10 ft.-lb.
3. Place new filter in shallow pan with open end up. Fill with new oil until oil reaches the bottom of the threads. Allow 2 minutes for oil to be absorbed by filter material.
4. Apply a thin film of clean oil to rubber gasket on new filter.
5. Refer to instructions on oil filter for proper installation.
6. Fill crankcase with approximately 2 quarts of new oil. Level should top of indicator on dipstick.
7. Reinstall oil fill/dipstick and tighten securely.
8. Start engine; check for oil leaks. Stop Engine; correct oil leaks. Recheck oil level.
9. Dispose of used oil and filter in accordance with local ordinances.



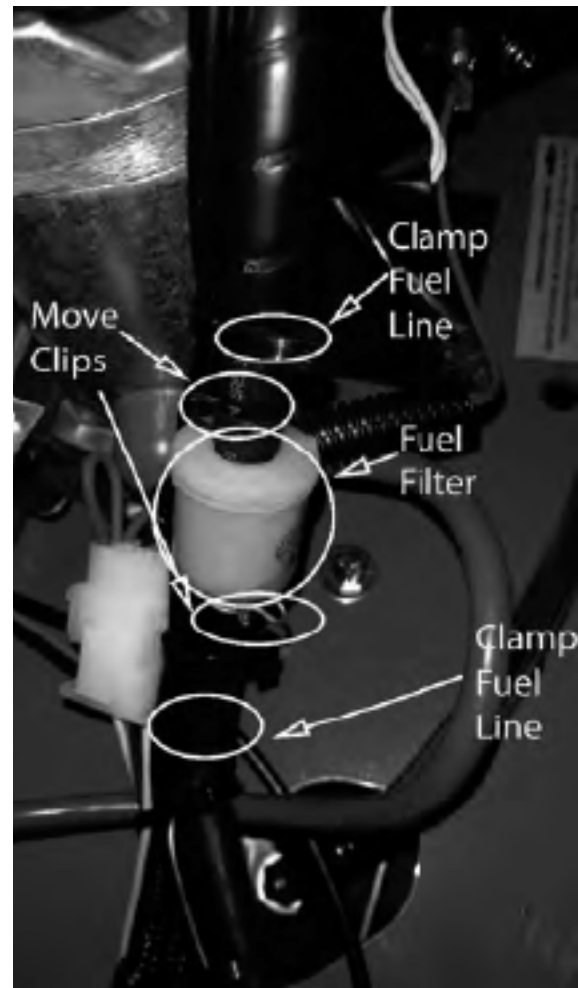


KAWASAKI FX850V (CONTINUED)

The fuel filter is located in the fuel line on the left side of the engine by the starter motor. Replace the filter yearly. Prior to the removal of the old filter, note the direction of fuel flow as indicated on the filter. Have towels readily available in order to quickly remove any fuel leakage. Always use new hose clamps and ensure the security of the new filter by lightly pulling on each hose. Always perform maintenance outdoors or in a well-ventilated area. Do not smoke or allow any open flames in the vicinity of any maintenance activities.

CHANGING YOUR FUEL FILTER

1. Locate your fuel filter and mark the direction it is facing.
2. Clamp each side of the fuel filter to minimize any gas spills.
3. Remove the clamps from each side of the fuel filter and remove the filter.
4. Place the new fuel filter in the same direction as the old one and place the clips back into place and remove clamps.



The air cleaner is the engine's only defense against damaging foreign particles. It is very important that the air cleaner element is inspected prior to each use. Remove the element and tap its sides in order to remove debris. Do not blow the filter out using compressed air. Doing so will greatly reduce the air cleaner's effectiveness. Replace yearly; more often in dusty environments. Adhering to these practices will help prevent loss of power and premature engine failure.

CHANGING THE AIR CLEANER

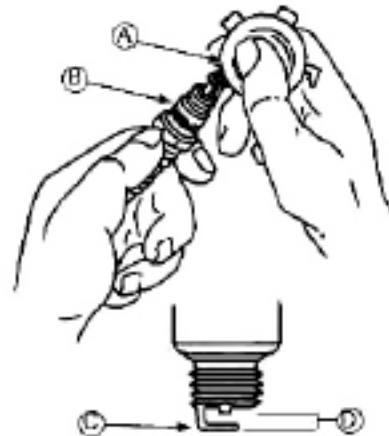
1. Locate the air filter and unbuckle the air filter cover.
2. Remove the cover and take out the outer white element and the inner blue element.
3. Clean or replace elements.
4. Reattach the cover making sure the air intake is facing down.



KAWASAKI FX850V (CONTINUED)

CHANGING THE SPARK PLUGS AND CHECKING THE SPARK PLUG GAP

1. Remove the wire on the spark plug and use a 13/16" socket to remove the spark plug.
2. Check the gap on the spark plug to verify that it is 0.03 in using a feeler gauge.
3. If the spark plug is worn, overheated, wet or carbon fouled replace the spark plug.
4. Install the plug into cylinder head and torque to 16 ft.-lbs. Be careful not to overtighten the spark plug.



| | | | |
|---|------------------|---|------------|
| A | Wire Gauge | B | Spark Plug |
| C | Ground Electrode | D | Gap |



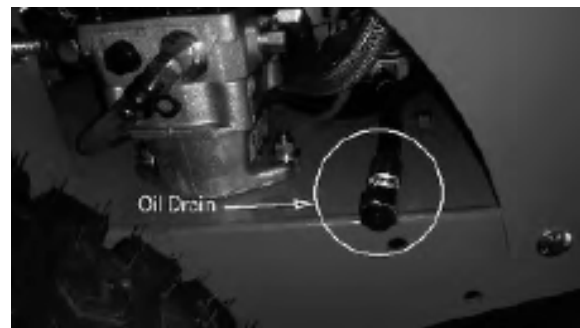
VANGUARD 993CC

This machine has an oil drain hose installed on the engine to allow for easier oil changes. Bad Boy recommends that the oil and filter be changed after the initial 8 hrs. of use, and at intervals of 50 usage hours or yearly, whichever occurs first after that. The oil capacity is 2 quarts. Bad Boy 10W-30 synthetic blend engine oil is recommended for maximum protection.



CHANGING YOUR ENGINE OIL AND OIL FILTER

1. Remove oil fill cap and open oil drain. Allow oil to completely drain. (Make sure to have an oil pan ready to capture old oil and properly dispose old oil.)
2. The oil filter is located on the right side of the engine. Clean area around oil filter. Place a container under the oil filter to capture any oil and remove filter. Wipe off mounting surface and reinstall drain plug. Torque to 10 ft.*lb.
3. Place new filter in shallow pan with open end up. Fill with new oil until oil reaches the bottom of the threads. Allow 2 minutes for oil to be absorbed by filter material.
4. Apply a thin film of clean oil to rubber gasket on new filter
5. Refer to instructions on oil filter for proper installation.
6. Fill crankcase with approximately 2 quarts of new oil. Level should top of indicator on dipstick.
7. Reinstall oil fill/dipstick and tighten securely.
8. Start engine; check for oil leaks. Stop Engine; correct oil leaks. Recheck oil level
9. Dispose of used oil and filter in accordance with local ordinances.

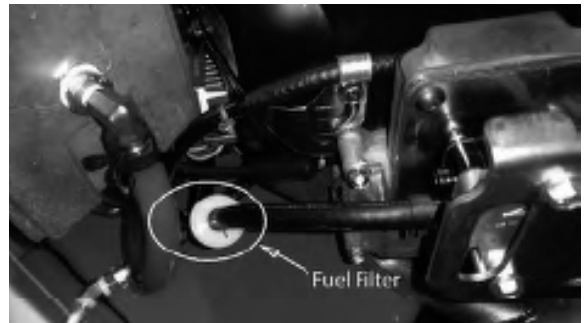


VANGUARD 993CC (CONTINUED)

The fuel filter is located in the fuel line about 12" from the carburetor on the side of the engine. Replace the filter yearly. Prior to the removal of the old filter, note the direction of fuel flow as indicated on the filter. Have towels readily available in order to quickly remove any fuel leakage. Always use new hose clamps and ensure the security of the new filter by lightly pulling on each hose. Always perform maintenance outdoors or in a well-ventilated area. Do not smoke or allow any open flames in the vicinity of any maintenance activities.

CHANGING YOUR FUEL FILTER

1. Locate your fuel filter and mark the direction it is facing.
2. Clamp each side of the fuel filter to minimize and gas spills.
3. Remove the clips from each side of the fuel filter and remove the fuel filter.
4. Place the new fuel filter in the same direction as the old and place clips back into place and remove clamps.

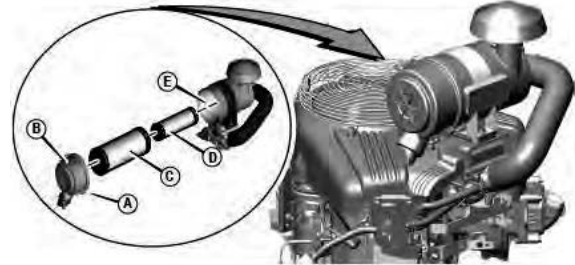




VANGUARD 993CC *(CONTINUED)*

The air cleaner is the engine's only defense against damaging foreign particles. It is very important that the air cleaner element is inspected prior to each use. Remove the element and tap its sides in order to remove debris. Do not blow the filter out using compressed air. Doing so will greatly reduce the air cleaner's effectiveness. Replace yearly; more often in dusty environments. Adhering to these practices will help prevent loss of power and premature engine failure.

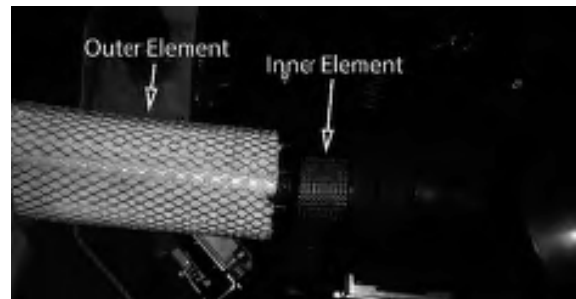
993 Vanguard Air Cleaner Component List



- A. Latches
- B. Cap
- C. Outer Air Filter
- D. Inner Air Filter
- E. Air Intake

CHANGING YOUR AIR CLEANER

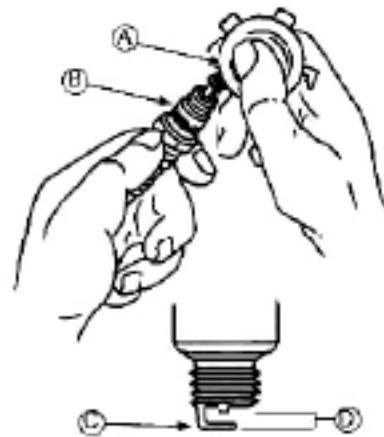
1. Unlock the air cleaner cover and remove to access the air cleaner.
2. Remove the outer and inner air filters.
3. Replace inner and outer filter then place the inner filter into the air intake followed by fitting the outer filter over the inner filter.
4. Place cap back on and close the latches.



VANGUARD 993CC (CONTINUED)

CHANGING THE SPARK PLUGS AND CHECKING THE SPARK PLUG GAP

1. Remove the wire on the spark plug and use a 5/8" socket to remove the spark plug.
2. Check the gap on the spark plug to verify that it is 0.03 in using a feeler gauge.
3. If the spark plug is worn, overheated, wet, or carbon fouled replace the spark plug.
4. Install the plug into cylinder head and torque to 20ft.-lbs. Be careful not to overtighten the spark plug.

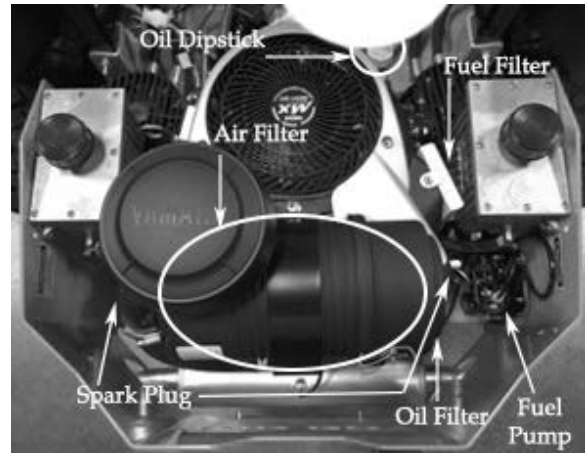


| | | | |
|----------|------------------|----------|------------|
| A | Wire Gauge | B | Spark Plug |
| C | Ground Electrode | D | Gap |



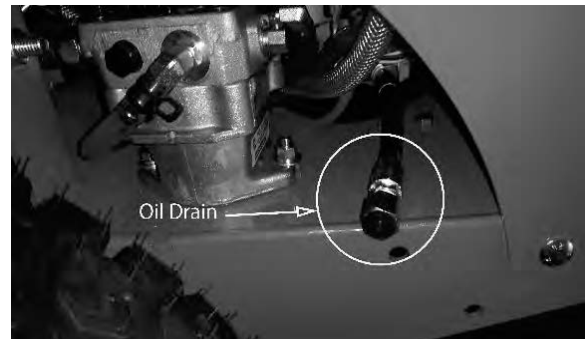
YAMAHA 824CC EFI

This machine has an oil drain hose installed on the engine to allow for easier oil changes. Bad Boy recommends that the oil and filter be changed after the initial 8 hrs of use, and at intervals of 50 usage hours or yearly, whichever occurs first after that. The oil capacity is 2 quarts. Bad Boy 10W-30 synthetic blend engine oil is recommended for maximum protection.



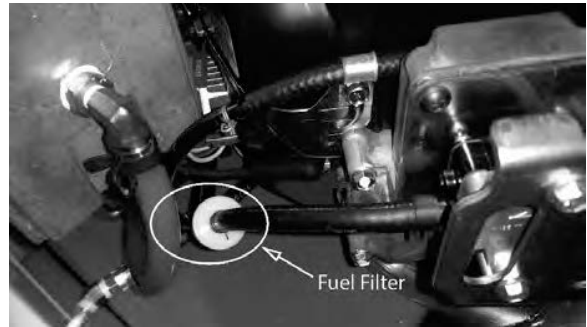
CHANGING YOUR ENGINE OIL AND OIL FILTER

1. Remove oil fill cap and open oil drain. Allow oil to completely drain. (Make sure to have an oil pan ready to capture old oil and properly dispose old oil.)
2. The oil filter is located on the right side of the engine. Clean area around oil filter. Place a container under the oil filter to capture any oil and remove filter. Wipe off mounting surface and reinstall drain plug. Torque to 10 ft.*lb.
3. Place new filter in shallow pan with open end up. Fill with new oil until oil reaches the bottom of the threads. Allow 2 minutes for oil to be absorbed by filter material.
4. Apply a thin film of clean oil to rubber gasket on new filter.
5. Refer to instructions on oil filter for proper installation.
6. Fill crankcase with approximately 2 quarts of new oil. Level should top of indicator on dipstick.
7. Reinstall oil fill/dipstick and tighten securely.
8. Start engine, check for oil leaks. Stop Engine, correct oil leaks. Recheck oil level
9. Dispose of used oil and filter in accordance with local ordinances.



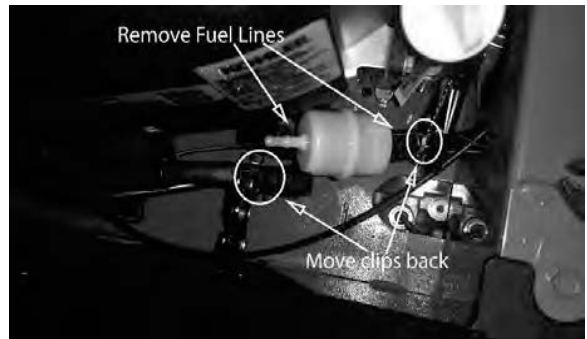
YAMAHA 824CC EFI (CONTINUED)

The fuel filter is located in the fuel line about 12" from the fuel pump on the side of the engine. Replace the filter yearly. Prior to the removal of the old filter, note the direction of fuel flow as indicated on the filter. Have towels readily available in order to quickly remove any fuel leakage. Always use new hose clamps and ensure the security of the new filter by lightly pulling on each hose. Always perform maintenance outdoors or in a well ventilated area. Do not smoke or allow any open flames in the vicinity of any maintenance activities.



CHANGING YOUR FUEL FILTER

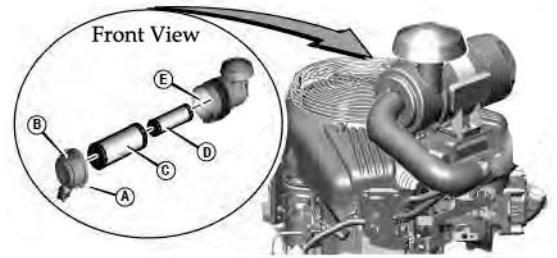
1. Locate your fuel filter and mark the direction it is facing.
2. Clamp each side of the fuel filter to minimize any gas spills.
3. Remove the clips from each side of the fuel filter and remove the fuel filter.
4. Place the new fuel filter in the same direction as the old one.





YAMAHA 824CC EFI (CONTINUED)

The air cleaner is the engine's only defense against damaging foreign particles. It is very important that the air cleaner element is inspected prior to each use. Remove the element and tap its sides in order to remove debris. Do not blow the filter out using compressed air. Doing so will greatly reduce the air cleaner's effectiveness. Replace yearly; more often in dusty environments. Adhering to these practices will help prevent loss of power and premature engine failure.



824CC EFI YAMAHA AIR CLEANER COMPONENT LIST

A. LATCHES

B. CAP

C. OUTER AIR FILTER

D. INNER AIR FILTER

E. AIR INTAKE

CHANGING THE AIR CLEANER

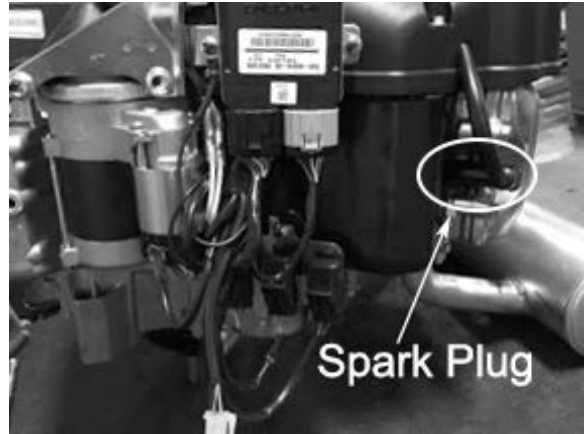
1. Unlock the air cleaner cover and remove to access the air cleaner.
2. Remove the outer and inner air filters.
3. Replace inner and outer filter then place the inner filter into the air intake followed by fitting the outer filter over the inner filter.
4. Place cap back on and close the latches.



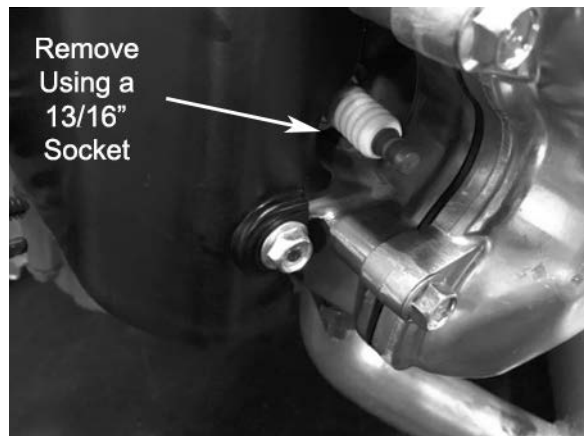
YAMAHA 824CC EFI (CONTINUED)

CHANGING THE SPARK PLUGS AND CHECKING THE SPARK PLUG GAP

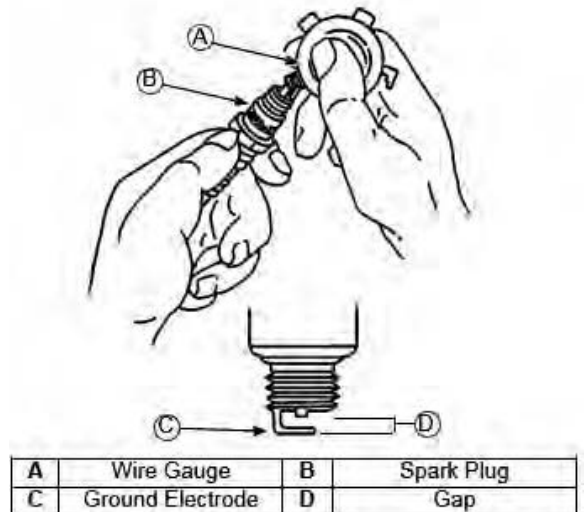
1. Remove the wire on the spark plug and use a 13/16" socket to remove the spark plug.
2. Check the gap on the spark plug to verify that it is 0.03 in using a feeler gauge.



3. If the spark plug is worn, overheated, wet, or carbon fouled replace the spark plug.



4. Install the plug into cylinder head and torque to 20ft.-lbs. Be careful not to overtighten the spark plug.





SECTION 4: ELECTRICAL SYSTEM

This mower is equipped with one protective fuse: a 30 amp main fuse (pictured to the right).

A blown fuse usually indicates a problem within the electrical system or an electrical component. Ensure the battery terminals are tightly fastened.

Never replace a fuse with one of a higher amperage rating or 'bypass' a fuse in any way. Doing so creates a significant fire hazard and can cause severe damage to the mower's electrical components. If a fuse is repeatedly blowing, contact your Bad Boy dealer.

On most models, the red wire coming out of the engine is the charging wire from the alternator. Check for 13.6 - 14.2 volts dc at this wire with engine at full throttle.

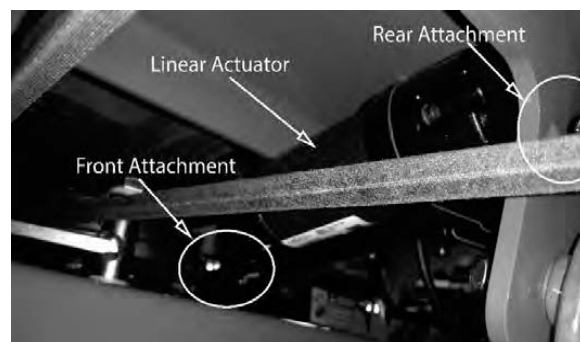
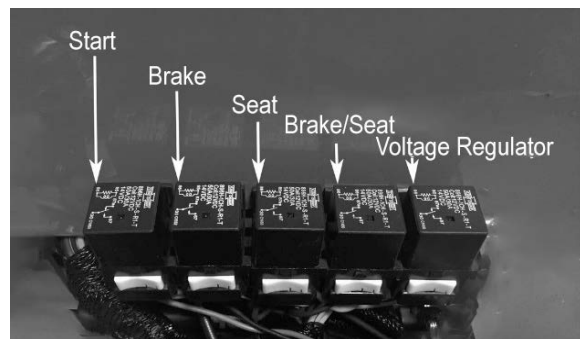
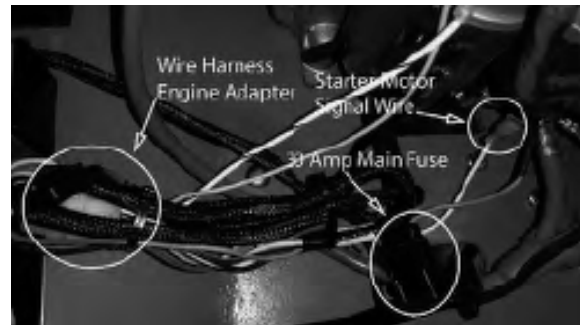
If you are having issues starting your mower ensure the signal wire is connected to your starter solenoid.

Check the condition and connection of the relays located under the control panel. Ensure that they are clean and connected. Make sure that wire terminal ends have not been pushed out of the relay block.

The linear actuator is the mechanism that raises and lowers the deck. If it ever starts to make noise when raising and lowering the deck you might find it necessary to tighten

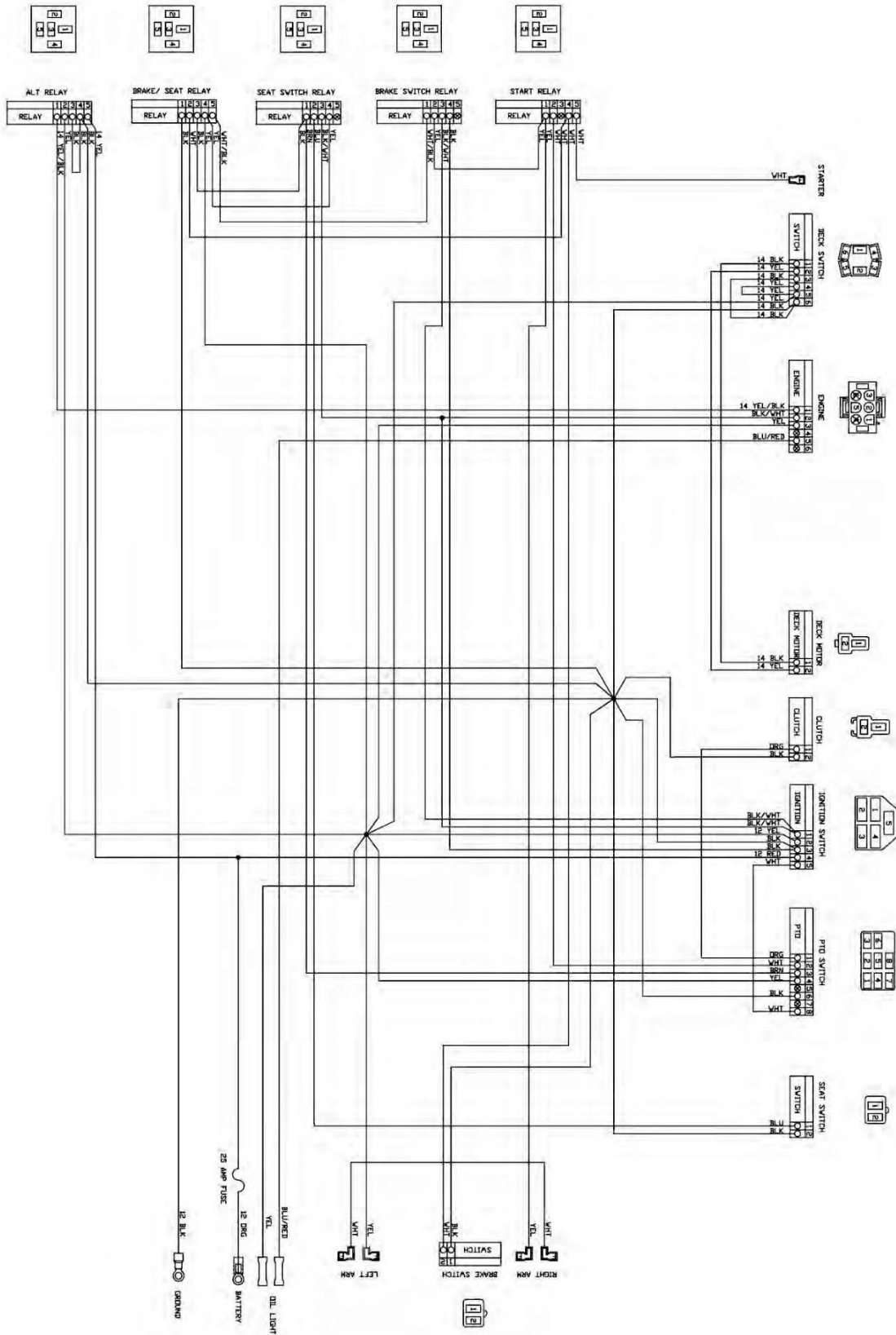
the nuts and bolts on the front and rear of the actuator. Be careful not to overtighten these

as you can damage the actuator. Also if your actuator ever stops working make sure to check the main fuse.





ELECTRICAL SYSTEM (CONTINUED) WIRING DIAGRAM

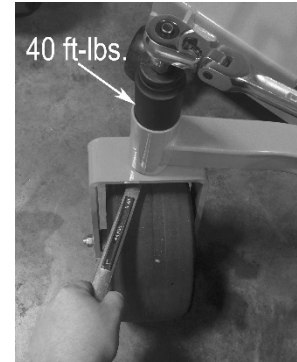


ALL WIRES 16GA UNLESS NOTED OTHERWISE.



SECTION 5: FRAME

The front fork nuts require a torque of 40ft.-lbs. While applying this torque, turn the fork itself to ensure no damage is done to the bearing. This operation is only necessary if a repair requires it. To access the recessed front fork nuts, remove the dust cap by prying gently using a flat-head screwdriver. Once cap is removed, a 36mm socket will be needed for top nut. You will need to secure the bottom nut with a 1 1/2" wrench. Once you have torqued the nuts to 40 ft.-lbs., reapply the dust cap by gently tapping around its edges. Do NOT hit center of cap.



Torque rear wheel lugs to 65-75ft. lbs. Re-torque at every oil change and check every mowing.



There are two grease zerks located on each of the two turnbuckles (4 Total). Grease at every oil change.

The pump belt tensioner is located under the engine and has a grease fitting at its pivot point. Grease at every engine oil change.



The deck belt tensioner is located at the rear of the deck and has a grease fitting on its pivot point. Grease at every engine oil change.



The control arm blocks have grease fittings located on the top of each block. Grease one time a year.



SECTION 6: CUTTING DECK

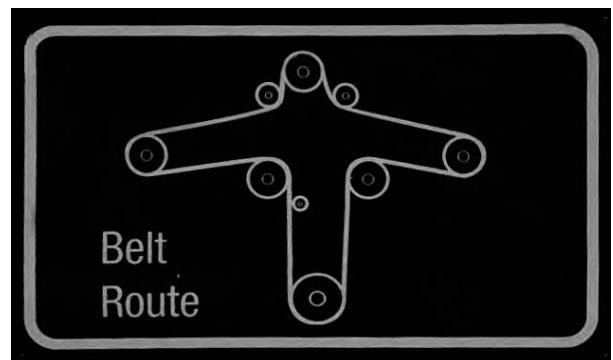
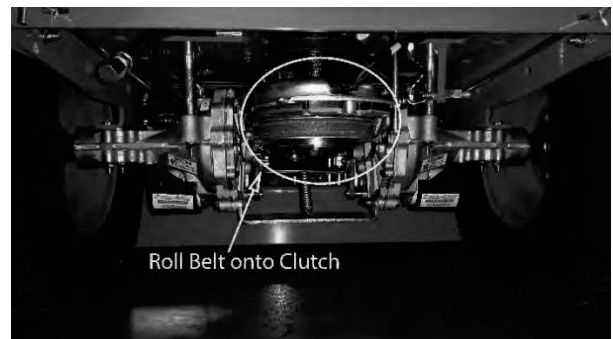
DECK BELT REMOVAL

1. Use proper safety precaution when performing procedures.
2. Raise the deck to its highest position.
3. Remove the right pulley cover.
4. While lifting up on the belt (as shown in the photograph), rotate the pulley until the belt is free of the pulley. Exercise caution while performing this step as fingers can easily become caught between the belt and pulley.



DECK BELT INSTALLATION

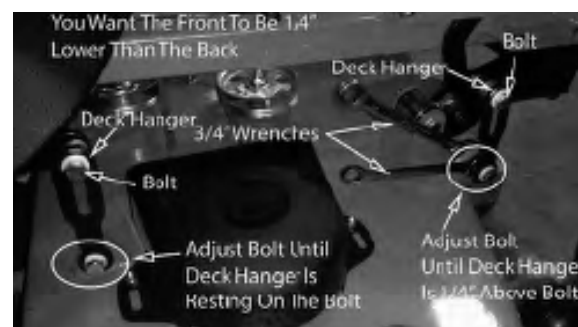
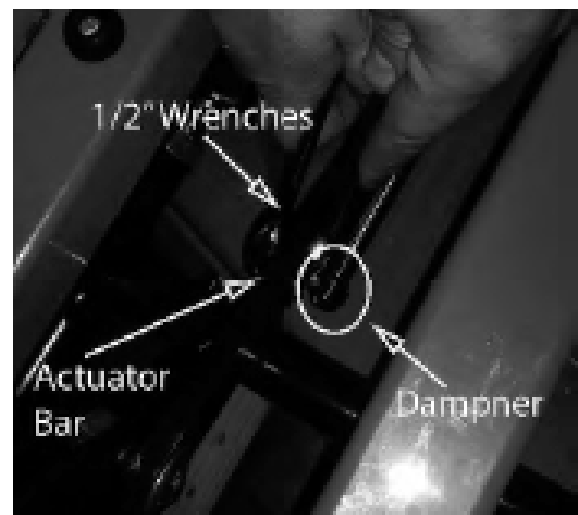
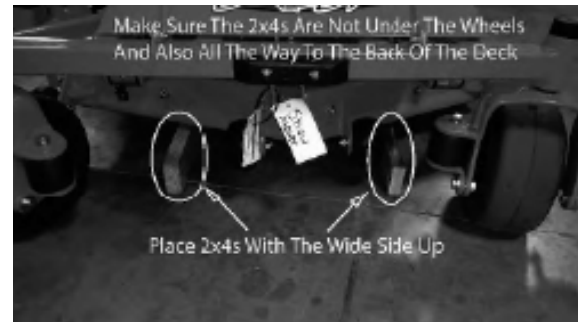
1. Use proper safety precaution when performing procedures.
2. Raise the deck to its highest position.
3. Take off both pulley covers and route the belt by following the belt route decal. (The easiest way to finish running the belt is routing the belt through the deck pulleys and carefully slipping the belt onto the clutch in the rear of the engine.)
4. Verify that the belt is routed properly as improper routing can damage the spindles as well as the engine.





LEVELING THE DECK

1. Start on a flat level surface and set the air pressure in all four tires to 12 psi. Measure the deck at all four corners. The deck should be level from left to right but 1/4" lower in the front than in the rear. adjustments can be made by adjusting the deck hangers in their slots.
2. Using a pair of approximately 3 ft. long 2x4's, stand the boards on edge and slide them under the deck from front to back as shown.
3. Remove the foot pedal and raise the floor plate. Remove one end of the deck lift spring assist dampener using a pair of 1/2" wrenches as shown
4. Lower the deck down onto the 2x4's and install the deck height pin into its highest available hole. This should be relatively close to the width of the 2x4 boards.
5. Using a pair of 3/4" wrenches, loosen all deck hanger bolts on the top of the deck. These are the lower bolts in the slots of the deck as shown. Do not loosen the upper bolts that attach the deck hangers to the actuator lift bars.
6. The deck is now loose from the frame and movement of the lift pedal should only move the hanger bolts up and down in the deck slots. at this point a different deck height adjustment pin location may be chosen. choosing a lower number will raise the decks cutting height. choosing a higher number will decrease the decks overall cutting height. Remember, you should be approximately in the 3.5" range on your selection.
7. You may now tighten all of the deck hanger bolts in the deck slots starting with the rear first, then the front. Lift the deck to the highest position. measure all four corners of the deck again to ensure that no further adjustments are necessary. reattach the deck lift assist dampener with the pedal pressed to its maximum travel. this may require assistance from another person to achieve.
8. Close the floor plate and reattach the foot pedal. check belt tension before mowing.



ADJUST DECK BELT TENSION

The deck spring tension is critical. If the tension is too high, premature failure of the deck belt and blade spindles can occur. If the tension is too low, the belt can "jump off" or slip on the pulleys. This results in reduced cut quality and early belt failure.

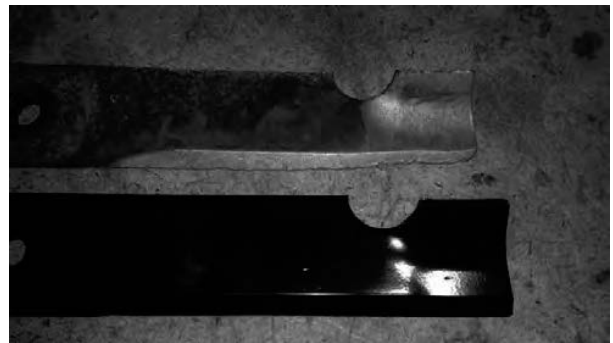
Spring tension adjustments can be made by sliding the bolt shown above forward or backward in the slot of the deck. Belt tension should be 60-65 lbs. with the deck at its lowest setting.

Use a belt tension gauge to ensure the proper tension. Your dealer or service center will have a belt tension gauge or you can buy one from the Bad Boy Parts Department by calling 866-622-3269 and asking for the Parts Department. (Part Number 041-9999-00).



BLADE SHARPENING

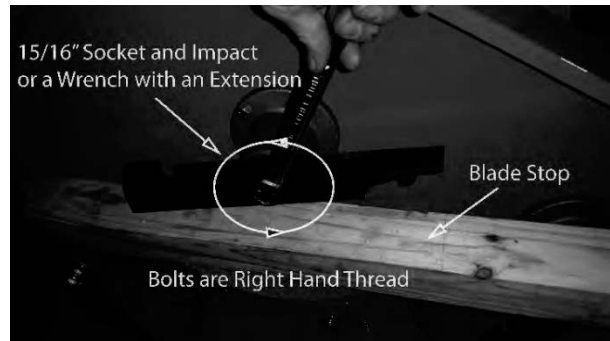
The blade on the top (see photo) was utilized long after replacement was required. In addition to a decline in cut quality, failure to replace a worn or damaged blade creates a major safety hazard. Bad Boy recommends that blade sharpening be performed by a professional.





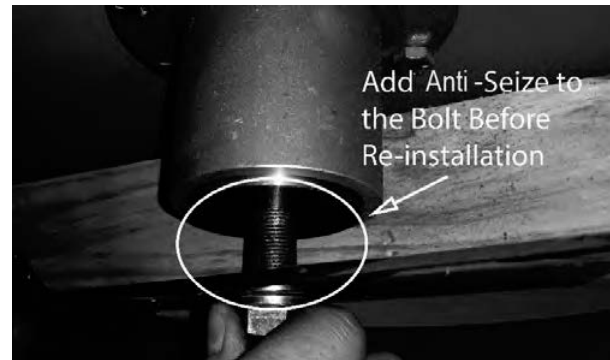
BLADE REMOVAL

To change blades, it may be easier to use a piece of wood to keep the blade from turning so that the bolt can be loosened. Use a 15/16" socket and impact drill, or a wrench and an extension to gain more leverage. You might need to put a 3/4" wrench on top of the pulley bolt to keep the blade from spinning. Bolts used have right-handed threads.



Re-torque the blade bolts to 90-110 lbs.

The blade spindles contain a sealed ball bearing inside the top and bottom of the spindle. The bearings are replaceable for a more cost-effective repair.

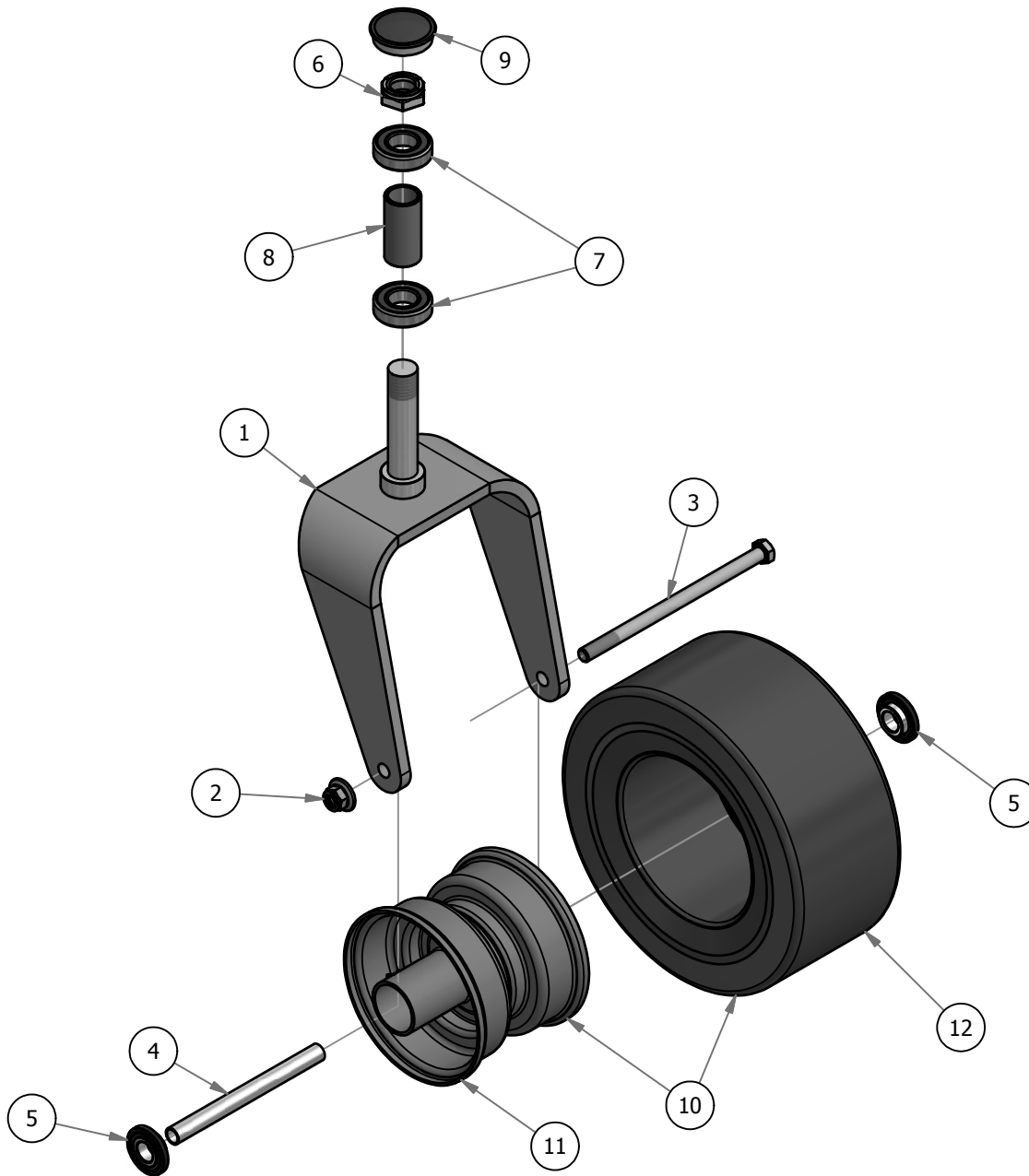






PARTS SECTION: OUTLAW FORK ASSEMBLY

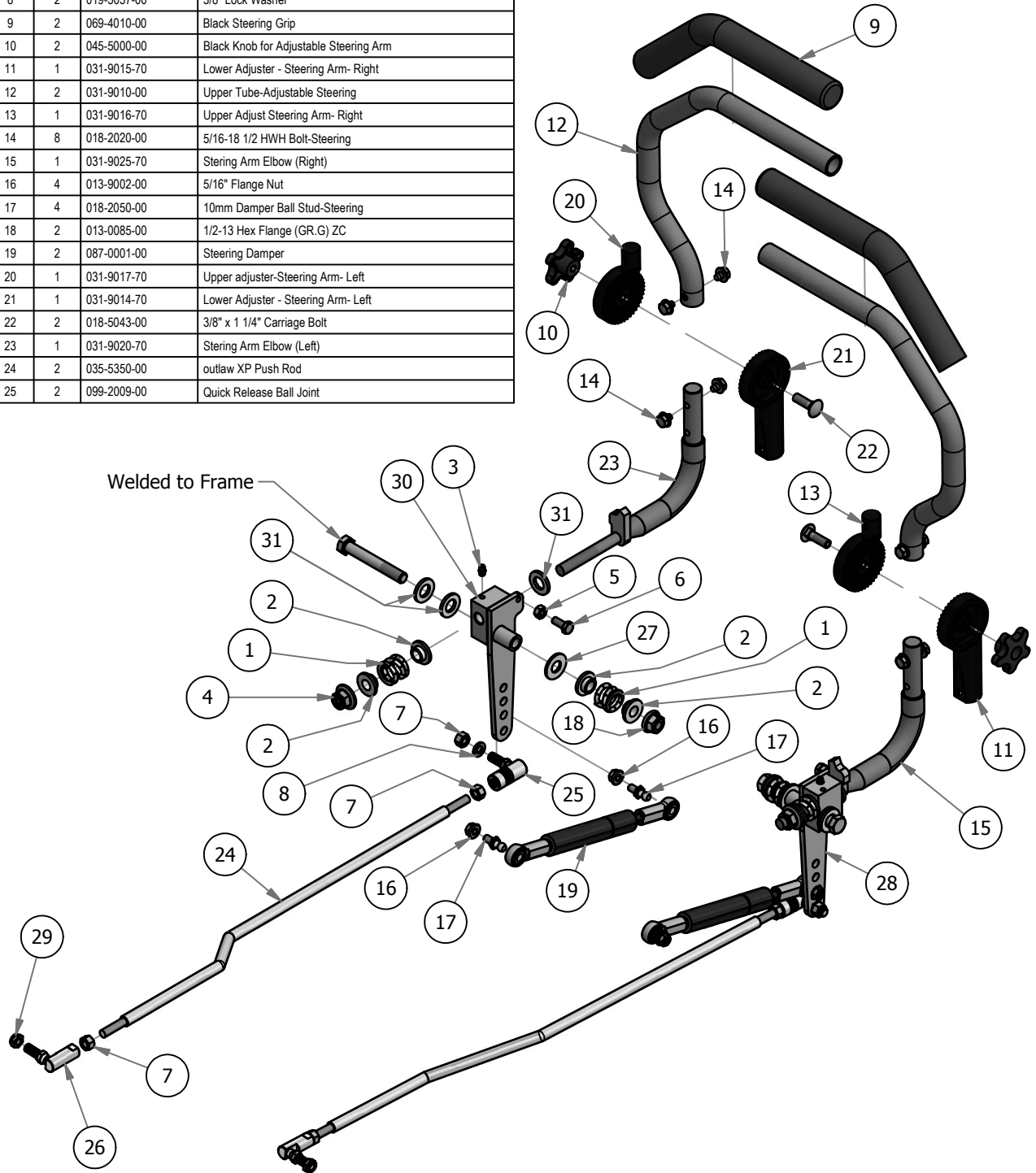
| Parts List | | | | Parts List | | | |
|------------|-----|-------------|-------------------------------------|------------|-----|-------------|------------------------------------|
| ITEM | QTY | PART NUMBER | DESCRIPTION | ITEM | QTY | PART NUMBER | DESCRIPTION |
| 1 | 1 | 023-7913-00 | Front Fork | 7 | 2 | 010-1050-00 | Caster Bearing 2016 - 1641 Bearing |
| 2 | 1 | 013-8050-00 | 1/2-13 Nylon Flange Nut | 8 | 1 | 025-0003-00 | 2016 Front Bearing Spacer |
| 3 | 1 | 018-7010-00 | 1/2" x 9" GR 5 Hex Bolt | 9 | 1 | 014-2025-00 | 2017 Bearing Cover |
| 4 | 1 | 025-5202-00 | Front Wheel Spanner | 10 | 1 | 022-3085-00 | Tire and black wheel assembly |
| 5 | 2 | 022-7010-00 | 1-3/4" Bearing-Large Bore Front Rim | 11 | 1 | 022-3090-00 | 6" Front Black Wheel |
| 6 | 1 | 013-9004-00 | 1" Fine Thread 1/2 Nylock Nut | 12 | 1 | 022-5347-00 | 13 x 6.50 - Tire |





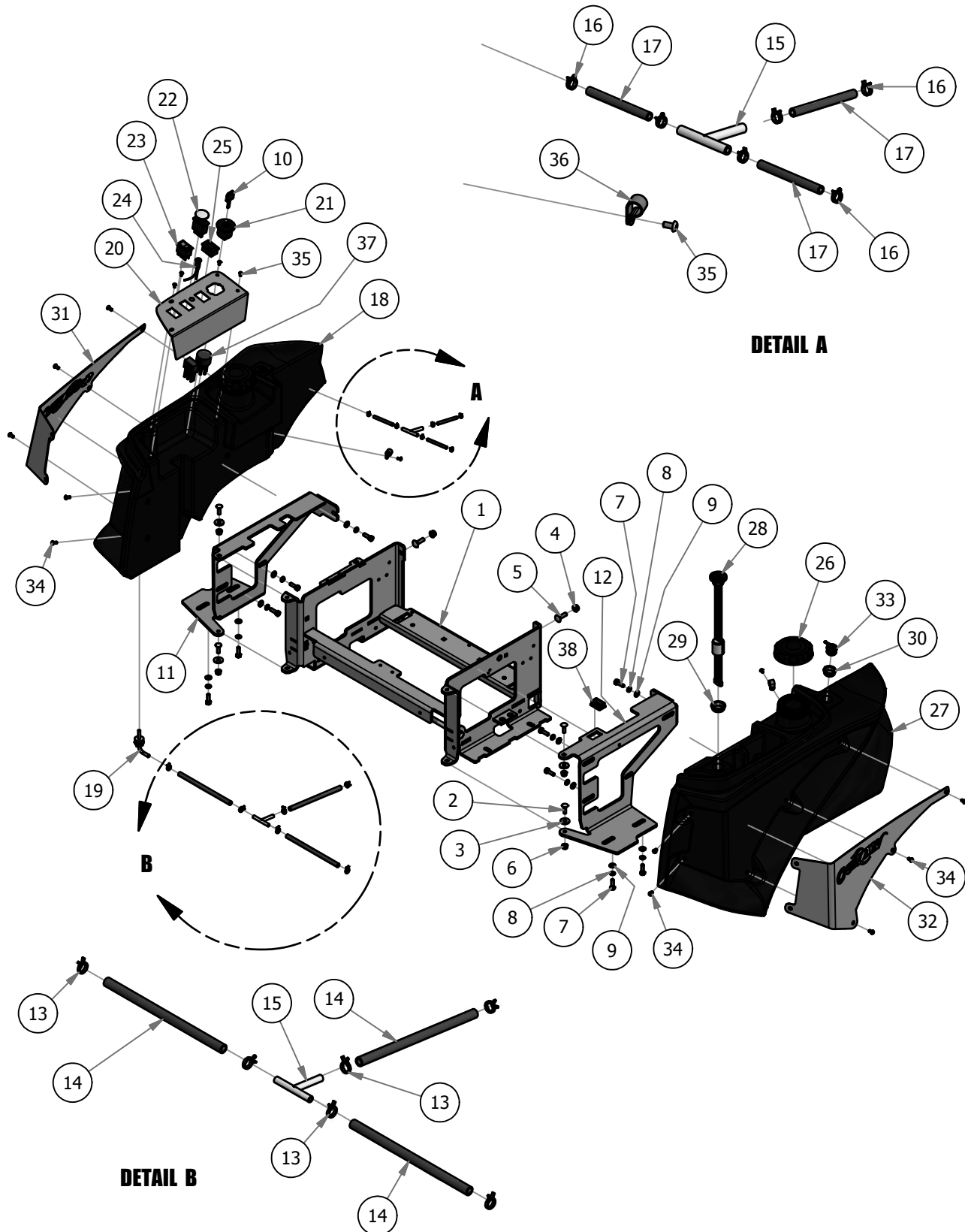
PARTS SECTION: OUTLAW XP DRIVE ARMS

| Parts List | | | | Parts List | | | |
|------------|-----|-------------|----------------------------------------|------------|-----|-------------|---------------------------------|
| ITEM | QTY | PART NUMBER | DESCRIPTION | ITEM | QTY | PART NUMBER | DESCRIPTION |
| 1 | 4 | 034-8025-00 | Drive Lever Spring | 26 | 2 | 099-6046-00 | 3/8-24 Ball Joint |
| 2 | 8 | 019-8027-00 | .515 ID Nylon Shoulder Washer | 27 | 2 | 019-5702-00 | 1/2" Washer (Grade 8) |
| 3 | 2 | 024-6034-00 | 1/4" Press in Grease Fitting | 28 | 1 | 027-2017-00 | Steering Block Assembly - Right |
| 4 | 2 | 013-8050-00 | 1/2-13 Nylon Flange Nut | 29 | 2 | 018-4011-00 | 3/8-24 Nylon Insert jam locknut |
| 5 | 2 | 013-8043-00 | 5/16" Nut | 30 | 1 | 027-2018-00 | Steering Block Assembly - Left |
| 6 | 2 | 018-8063-00 | 5/16" x 3/4" Hex Bolt | 31 | 6 | 019-6017-00 | .630 ID Plastic Washer |
| 7 | 6 | 013-6051-00 | 3/8" Fine Threaded Jam Nut | | | | |
| 8 | 2 | 019-5037-00 | 3/8" Lock Washer | | | | |
| 9 | 2 | 069-4010-00 | Black Steering Grip | | | | |
| 10 | 2 | 045-5000-00 | Black Knob for Adjustable Steering Arm | | | | |
| 11 | 1 | 031-9015-70 | Lower Adjuster - Steering Arm- Right | | | | |
| 12 | 2 | 031-9010-00 | Upper Tube-Adjustable Steering | | | | |
| 13 | 1 | 031-9016-70 | Upper Adjust Steering Arm- Right | | | | |
| 14 | 8 | 018-2020-00 | 5/16-18 1/2 HWH Bolt-Steering | | | | |
| 15 | 1 | 031-9025-70 | Stering Arm Elbow (Right) | | | | |
| 16 | 4 | 013-9002-00 | 5/16" Flange Nut | | | | |
| 17 | 4 | 018-2050-00 | 10mm Damper Ball Stud-Steering | | | | |
| 18 | 2 | 013-0085-00 | 1/2-13 Hex Flange (GR.G) ZC | | | | |
| 19 | 2 | 087-0001-00 | Steering Damper | | | | |
| 20 | 1 | 031-9017-70 | Upper adjuster-Steering Arm- Left | | | | |
| 21 | 1 | 031-9014-70 | Lower Adjuster - Steering Arm- Left | | | | |
| 22 | 2 | 018-5043-00 | 3/8" x 1 1/4" Carriage Bolt | | | | |
| 23 | 1 | 031-9020-70 | Stering Arm Elbow (Left) | | | | |
| 24 | 2 | 035-5350-00 | outlaw XP Push Rod | | | | |
| 25 | 2 | 099-2009-00 | Quick Release Ball Joint | | | | |





PARTS SECTION: OUTLAW XP GAS TANK ASSEMBLIES



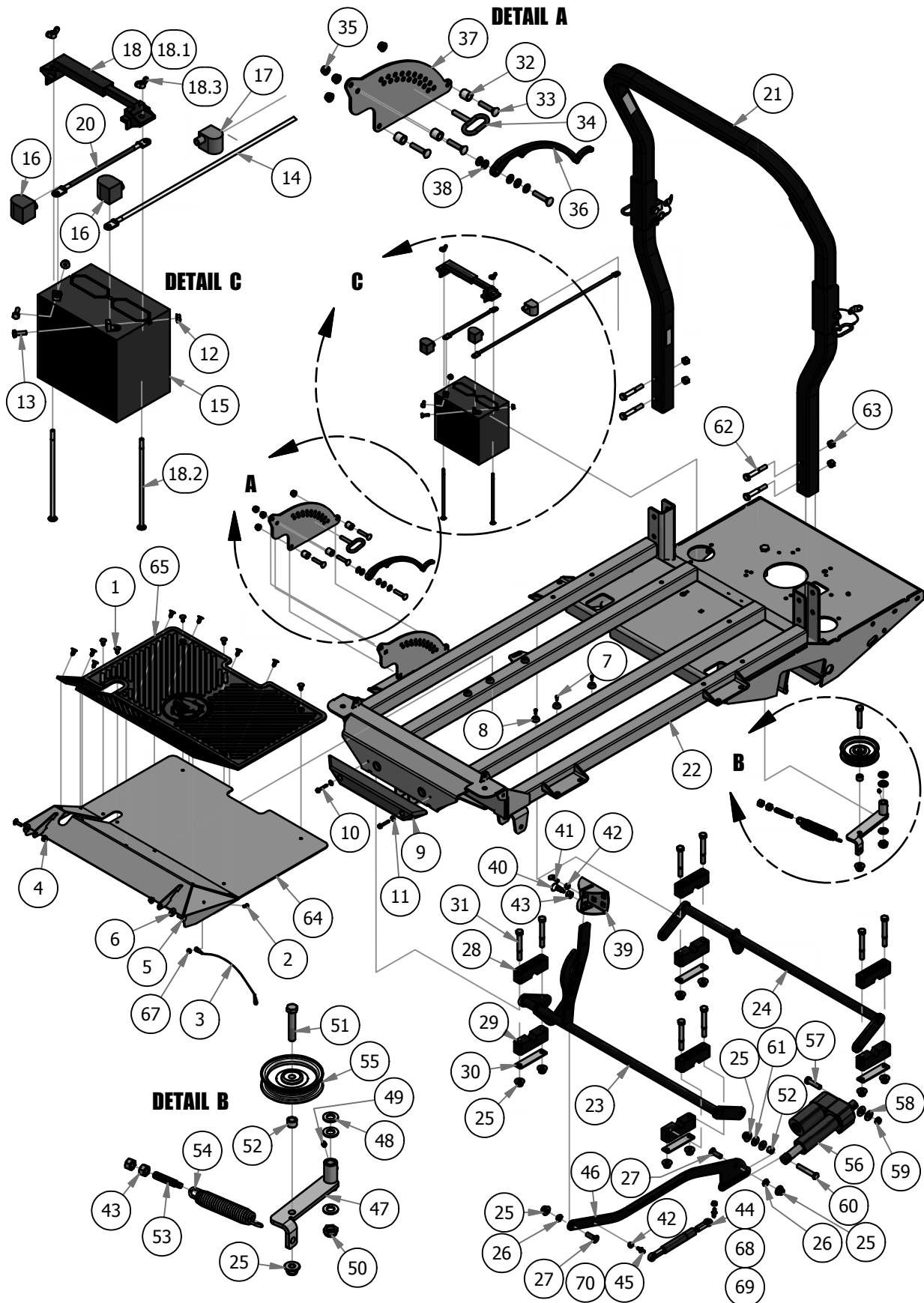


PARTS SECTION: OUTLAW XP GAS TANK ASSEMBLIES

| Parts List | | | |
|------------|-----|-------------|---------------------------------------------------|
| ITEM | QTY | PART NUMBER | DESCRIPTION |
| 1 | 1 | 080-5116-17 | 2017 Outlaw Seat Bracket |
| 2 | 4 | 018-8065-00 | 5/16-18 x 1 Carriage Bolts Zinc |
| 3 | 4 | 019-6042-00 | .360 ID Plastic Washer |
| 4 | 2 | 013-5202-00 | 3/8" Nylock Flange Nut |
| 5 | 2 | 018-5043-00 | 3/8" x 1 1/4" Carriage Bolt |
| 6 | 4 | 013-8049-00 | 5/16-18 Nylon Insert Flange Nut Zinc Orange Nylon |
| 7 | 10 | 018-2007-00 | 5/16" x 1" Bolt |
| 8 | 10 | 019-8051-00 | 5/16" Lock Washer |
| 9 | 10 | 019-8044-00 | 5/16" Flat Washer |
| 10 | 1 | 042-9000-00 | Ignition Key |
| 11 | 1 | 031-2040-00 | Outlaw 2015 Tank Support (Right) |
| 12 | 1 | 031-2045-00 | Outlaw 2016 Tank Support (Left) |
| 13 | 6 | 072-8069-00 | 1/4 Fuel Hose Clamp |
| 14 | 3 | 051-8067-00 | 1/4" Fuel Line Hose |
| 15 | 2 | 073-8068-00 | fuel line T |
| 16 | 6 | 072-8070-00 | 3/16 Vinyl Clamp |
| 17 | 3 | 051-8072-00 | 1/4" Vinyl Tubing |
| 18 | 1 | 067-1180-50 | Outlaw 2015 Fuel Tank (Right) |
| 19 | 2 | 067-6055-00 | Fuel Tank Hose Nipple w/Filter |
| 20 | 1 | 079-3360-00 | Analog Control Panel Outlaw |
| 21 | 1 | 077-8076-00 | Ignition Switch |
| 22 | 1 | 056-8058-00 | PTO Switch |
| 23 | 1 | 078-3000-00 | Rocker Deck Lift Switch |
| 24 | 1 | 089-1000-00 | Oil Light |
| 25 | 1 | 083-4013-00 | Tachometer |
| 26 | 2 | 066-8076-00 | Fuel Cap (Kelch) |
| 27 | 1 | 067-1190-50 | Outlaw 2015 Fuel Tank (Left) |
| 28 | 1 | 067-4080-00 | Fuel Gauge w/Grommet |
| 29 | 1 | 067-6054-00 | Grommet for Fuel Gauge |
| 30 | 2 | 067-6054-00 | ROV Grommet |
| 31 | 1 | 079-3280-00 | Outlaw Tank Panel (Right) |
| 32 | 1 | 079-3281-00 | Outlaw Tank Panel (Left) |
| 33 | 2 | 067-6070-00 | Rollover Valve - Black |
| 34 | 10 | 018-2012-00 | 1/4" x 1/2" BS C/S 18-8 SS |
| 35 | 6 | 018-2010-00 | 10-32 x 3/8" Button Socket Head Bolt |
| 36 | 2 | 072-0001-00 | 3/8 Cable Clamp-Black Nylon |
| 37 | 1 | 086-2050-00 | Wiring Harness |
| 38 | 1 | 018-1040-00 | Light Plug |



PARTS SECTION: OUTLAW XP FLOORBOARD & BATTERY



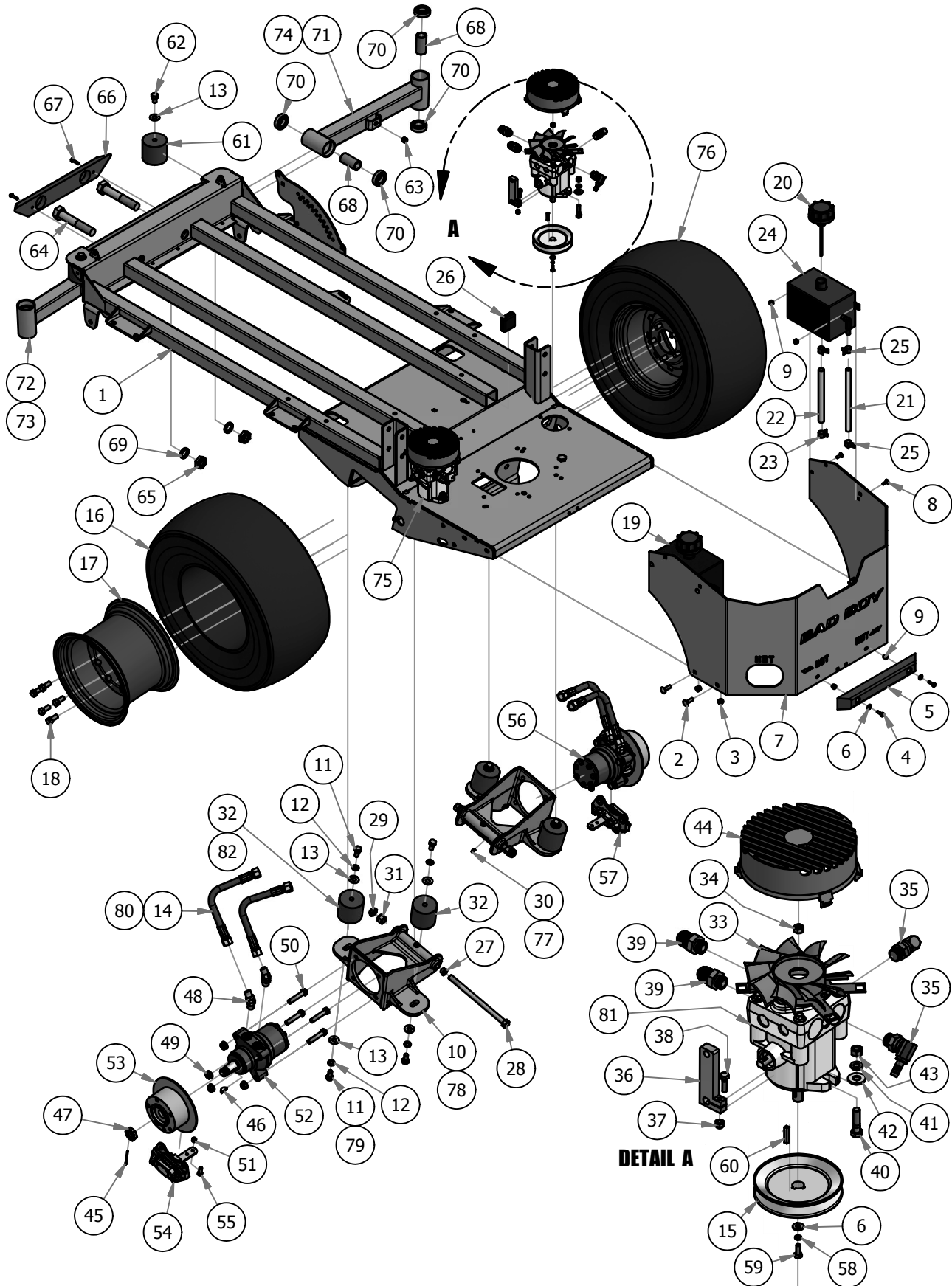


PARTS SECTION: OUTLAW XP FLOORBOARD & BATTERY

| Parts List | | | | Parts List | | | |
|------------|-----|-------------|------------------------------------------|------------|-----|-------------|---------------------------------------|
| ITEM | QTY | PART NUMBER | DESCRIPTION | ITEM | QTY | PART NUMBER | DESCRIPTION |
| 1 | 12 | 040-6080-00 | Ratchet Fastener | 35 | 4 | 013-5202-00 | 3/8" Nylock Flange Nut |
| 2 | 1 | 018-8064-00 | 1/4" x 5/8" BS C/S 18-8 SS | 36 | 1 | 031-0100-00 | Outlaw Deck Lever Lock |
| 3 | 1 | 064-2006-00 | Floorboard Cable W/ Swivel Ends | 37 | 1 | 026-2100-00 | Outlaw Height Indicator Plate (Outer) |
| 4 | 2 | 013-8049-00 | 5/16" Nylock Flange Nut Zinc | 38 | 5 | 019-2003-00 | .390 x .750 x .062 Nylon Washer |
| 5 | 2 | 018-8065-00 | 5/16" x 1" Carriage Bolt | 39 | 1 | 026-0013-00 | Outlaw Deck Lift Pedal |
| 6 | 2 | 019-6042-00 | .360 ID Plastic Washer | 40 | 1 | 040-5000-00 | Pull Pin |
| 7 | 6 | 030-3050-00 | #10 x 1/2" Self Tapping Screw | 41 | 1 | 030-0010-00 | 5/16-18 x1 Thumb Screw Zinc |
| 8 | 6 | 029-4010-00 | Button Bumper | 42 | 3 | 013-9002-00 | 5/16" Flange Nut |
| 9 | 1 | 029-8000-00 | 2017 XP Bumper | 43 | 3 | 013-7018-00 | 1/2" Hex Nut |
| 10 | 2 | 030-7039-00 | 1/4" x 1 1/2" Self Tapping Screw | 44 | 1 | 087-5400-00 | 200 lb Gas Spring- 54" Deck outlaw |
| 11 | 2 | 019-7040-00 | 1/4" Flat Washer | 45 | 2 | 018-2050-00 | 10mm Damper Ball Stud-Steering |
| 12 | 2 | 013-9001-00 | 1/4-20 Hex Flange Nuts Zinc w/Serrations | 46 | 1 | 028-6055-00 | Outlaw Linkage Bar Susp Frame |
| 13 | 2 | 018-8052-00 | 1/4-20 x 3/4 GR 5 Hex Bolts Zinc | 47 | 1 | 039-5944-00 | Pump Idler Bracket |
| 14 | 1 | 064-5300-00 | 24" Red Battery Cable | 48 | 3 | 019-6017-00 | .630 ID Plastic Washer |
| 15 | 1 | 068-8049-00 | Battery | 49 | 1 | 024-6034-00 | 1/4" Press in Grease Fitting |
| 16 | 2 | 103-5400-00 | Black Boot For Ground Cable | 50 | 1 | 013-5301-00 | 5/8" Nylock (1/2 Jam) |
| 17 | 1 | 103-5300-00 | Red Boot | 51 | 1 | 018-6036-00 | 1/2" x 2 3/4" Hex Bolt |
| 18 | 1 | 043-8929-00 | Hold Down Assembly | 52 | 2 | 025-7036-00 | 1/2 x 1/2 Spacer |
| 18.1 | 1 | 043-8929-00 | Battery Hold Down | 53 | 1 | 018-2004-00 | All Thread-Pump Idler Tensioner |
| 18.2 | 2 | 018-8050-00 | 1/4"-20 x 8" Carriage Bolt | 54 | 1 | 034-2009-00 | 2009 Deck/Pump Idler Spring |
| 18.3 | 2 | 013-8051-00 | 1/4" Wing Nut | 55 | 1 | 033-6001-00 | 4 3/4" Idler Pulley |
| 20 | 1 | 086-0005-00 | Ground Cable | 56 | 1 | 035-7033-00 | Actuator |
| 21 | 1 | 089-0002-00 | 2015 Outlaw 2x2 Folding ROPS | 57 | 1 | 018-0022-00 | 1/2-13x2 Grade 8 Hex Bolt |
| 22 | 1 | 070-5380-17 | 2017 XP Frame | 58 | 2 | 019-5702-00 | 1/2" Washer (Grade 8) |
| 23 | 1 | 028-6030-00 | 2015 Outlaw Act Bar Assembly (Front) | 59 | 1 | 018-4010-00 | 1/2" Nylock Nut (1/2 Jam) |
| 24 | 1 | 028-6040-00 | 2015 Outlaw Act Bar Assembly (Rear) | 60 | 1 | 018-7016-00 | 1/2" x 3" Hex Bolt |
| 25 | 12 | 013-8050-00 | 1/2-13 Nylon Flange Nut | 61 | 2 | 019-8054-00 | .505 Nylon Spacer |
| 26 | 2 | 032-3000-00 | Bushing- SF-1620-4 | 62 | 4 | 018-0050-00 | 1/2-13 X 3.25 Hex Bolt - Grade 5 |
| 27 | 2 | 018-0008-00 | 1/2 x 1-1/2 Carriage Bolt | 63 | 4 | 013-0005-00 | 1/2" Center Lock Nut |
| 28 | 4 | 017-9000-00 | Two Piece Pillow Block (Male) | 64 | 1 | 079-3150-00 | 2017 XP Outlaw Floor Panel |
| 29 | 4 | 017-9050-00 | Two Piece Pillow Block (Female) | 65 | 1 | 081-2050-00 | 2016 Outlaw Floor Mat |
| 30 | 4 | 017-9025-00 | Two Piece Pillow Block Strap | 67 | 1 | 013-8039-00 | 1/4-20 Hex Nut |
| 31 | 8 | 018-5019-00 | 1/2" x 4" Bolt (Grade 8) | 68 | 1 | 087-6100-00 | 250 lb Gas Spring 61" Deck Outlaw |
| 32 | 3 | 025-5203-00 | Spacer 3/4 OD x 1/2 ID x 3/4 Length | 69 | 1 | 087-7200-00 | 300 lb Gas Spring 72" Deck Outlaw |
| 33 | 4 | 018-0009-00 | 3/8 x 1 3/4 Carriage Bolt | 70 | 2 | 018-2049-00 | 13mm Ball Stud (72" Deck Only) |
| 34 | 1 | 040-4000-00 | Deck height lever pin | | | | |



PARTS SECTION: OUTLAW XP DRIVE TRAIN & REAR COVER



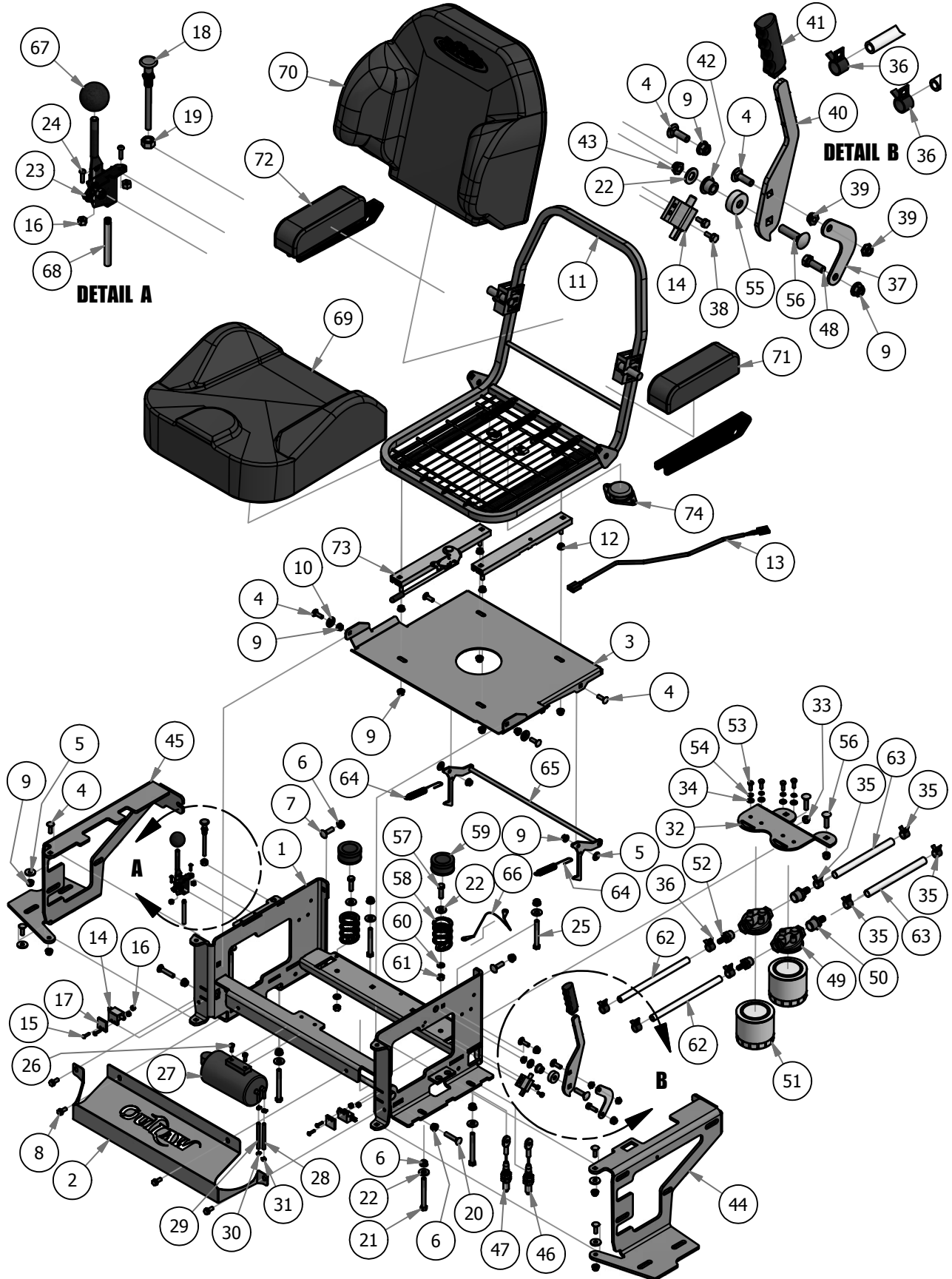


PARTS SECTION: OUTLAW XP DRIVE TRAIN & REAR COVER

| Parts List | | | | Parts List | | | |
|------------|----------------|-------------|---------------------------------------------------------------|------------|--------------|-------------|------------------------------------------------------------------|
| ITEM | QTY | PART NUMBER | DESCRIPTION | ITEM | QTY | PART NUMBER | DESCRIPTION |
| 1 | 1 | 070-5380-17 | 2017 XP Frame | 42 | 4 | 019-5029-00 | 3/8" Flat Washer |
| 2 | 4 | 018-5043-00 | 3/8" x 1 1/4" Carriage Bolt | 43 | 4 | 013-6014-00 | 3/8" Hex Nut |
| 3 | 4 | 013-5041-00 | 3/8 Nylock Nut | 44 | 2 | 014-5600-00 | Fan Guard 6" Fits wheel Motor Pumps |
| 4 | 2 | 018-4702-00 | 1/4-20 x 1-1/4 GR 5 Hex Bolt | 45 | 2 | 020-7022-00 | 1/8x2-1/4 cotter pin Zinc |
| 5 | 1 | 029-7037-00 | 14" Rubber Bumper | 46 | 2 | 042-7041-00 | Woodruff Key |
| 6 | 4 | 019-7040-00 | 1/4" Flat Washer | 47 | 2 | 013-7050-00 | 1" Castle Nut for Wheel Motor |
| 7 | 1 | 026-2190-00 | Outlaw Rear Plate | 48 | 4 | 024-0050-00 | 45 Degree Fitting 31704-10-10 |
| 8 | 4 | 019-8040-00 | 1/4" x 3/4" Carriage Bolt | 49 | 8 | 013-5300-00 | 1/2" Flange Nut |
| 9 | 6 | 013-2050-00 | 1/4-20 Nylon Insert flange Nut | 50 | 8 | 018-6036-00 | 1/2" x 2 1/2" Hex Bolt |
| 10 | 2 | 070-8000-00 | 60 Suspension kit Wheel Motor | 51 | 2 | 013-8047-00 | 5/16-18 Nylock Insert Locknut |
| 11 | 8 | 018-2030-00 | 1/2" x 1" Hex Bolt | 52 | 1 | 015-4501-00 | 15cc Parker Wheel Motor- Left |
| 12 | 8 | 019-5007-00 | 1/2" Lock Washer | 53 | 2 | 092-5201-00 | Brake Disk |
| 13 | 10 | 019-5702-00 | 1/2" Washer (Grade 8) | 54 | 1 | 092-7001-00 | XP/AOS Left Brake Caliper |
| 14 | 4 | 051-2000-00 | 18" hose Assembly W/forged 45 Degr | 55 | 2 | 018-6049-00 | 3/8" x 1" Hex Bolt |
| 15 | 2 | 033-5003-00 | 5" Pump Pulley | 56 | 1 | 015-4500-00 | 15cc Parker Wheel Motor- Right |
| 16 | 2 | 022-4095-00 | 2018 24x12-12 Reaper Turf Tire | 57 | 1 | 092-7000-00 | XP/AOS Right Brake Caliper |
| 17 | 2 | 022-4070-00 | 12x12" Black Wheel For 2015 Outlaw | 58 | 2 | 019-4008-00 | 1/4" Lock Washer |
| 18 | 10 | 018-7033-00 | 1/2-20 x 1-1/2 Lug Bolts Zinc | 59 | 2 | 018-0024-00 | M6-1.0 X 16MM Hex Bolt |
| 19 | 1 | 067-8051-00 | Outlaw Hydraulic Tank Left | 60 | 2 | 042-5301-00 | 5MM X 1 Square Key Stock |
| 20 | 2 | 066-8050-00 | Hydraulic Tank Cap W/Dipstick | 61 | 2 | 032-9002-00 | Vibration Mount- Red Dot |
| 21 | 2 | 051-8063-00 | 3/8" Clear Hose | 62 | 2 | 018-1055-00 | 1/2" x 3/4" Hex Bolt |
| 22 | 2 | 051-8064-00 | 1/2 Clear Braided Hose Priced/Foot | 63 | 2 | 014-3010-00 | 5/8 Round Insert |
| 23 | 4 | 072-8066-00 | 1/2 Hose Clamp | 64 | 2 | 018-0026-00 | 1-14 x 5.5 Hex Bolt Grade 8 Zinc Yellow |
| 24 | 1 | 067-8050-00 | Outlaw Hydraulic Tank Right | 65 | 2 | 013-9004-00 | 1" Fine Thread Nut |
| 25 | 4 | 072-8065-00 | 3/8" Hose Clamp | 66 | 1 | 029-8000-00 | 2017 XP Bumper |
| 26 | 2 | 014-9000-00 | 2X2 Frame Plug | 67 | 2 | 030-7040-00 | 1/4 x 1 Hex Head Tek screw |
| 27 | 4 | 032-5056-00 | Flange Bushing for Deck Arm - Upper | 68 | 2 | 025-0003-00 | 2016 Front Bearing Spacer |
| 28 | 2 | 018-2051-00 | 5/8"x10" Hex Bolt (Grade8) | 69 | 2 | 058-1000-00 | 1" x .25" Spacer |
| 29 | 2 | 013-5301-00 | 5/8" Nylock (1/2 Jam) | 70 | 4 | 010-1050-00 | Caster Bearing 2016 - 1641 Bearing |
| 30 | 2 | 024-3050-00 | 1/4" Drive in Grease Fitting (72" Suspension Kit Wheel Moter) | 71 | 1 | 250-2650-00 | 2017 XP Suspension Arm - Right |
| 31 | 2 | 013-7021-00 | 5/8 Std NC Nylock Nut | 72 | 1 | 250-2600-98 | 2017 XP Arm Assembly - Left |
| 32 | 4 (2-72" Deck) | 032-9000-00 | Vibration Mount-Green Dot | 73 | 1 | 250-2600-00 | 2017 XP Suspension Arm -Left |
| 33 | 2 | 015-9999-00 | Hydraulic Fan | 74 | 1 | 250-2650-98 | 2017 XP Arm Assembly - Right |
| 34 | 2 | 013-8043-00 | 5/16" Nut | 75 | 1 | 050-3000-00 | Left Pump 12cc |
| 35 | 4 | 024-5206-00 | 3/8" X 9/16"-18 ORB Male Fitting (S.A-2 P-4) | 76 | 2 | 022-4100-00 | 2018 24x12-12 Reaper Turf Tire and Black Wheel Assembly |
| 36 | 2 | 031-5333-00 | Pump Arm | 77 | 2 | 024-8000-00 | 3/8" Threaded Grease Fitting (60" Suspension Kit Wheel Moter) |
| 37 | 2 | 013-8073-00 | 1/4" Nylock Nut | 78 | 2 | 070-8001-00 | 72" Suspension Kit Wheel Motor |
| 38 | 2 | 018-4007-00 | 1/4-20 x 1 GR 5 hex bolt zinc | 79 | 8 | 018-2080-00 | 1/2-13 x 1 1/4 Hex Bolt (Only on 60" Suspension Kit Wheel Motor) |
| 39 | 4 | 024-5343-00 | Hydraulic Pump Fitting 6400-10 | 80 | 4 | 051-6005-00 | 18" Hydraulic Hose Only |
| 40 | 4 | 018-6012-00 | 3/8" x 1 1/2" Hex Bolt | 81 | 1 | 050-3050-00 | Right Pump 12cc |
| 41 | 4 | 019-5037-00 | 3/8" Lock Washer | 82 | 2 (72" Deck) | 032-8999-00 | Vibration Mount-Blue Dot |



PARTS SECTION: OUTLAW XP SEAT ASSEMBLY



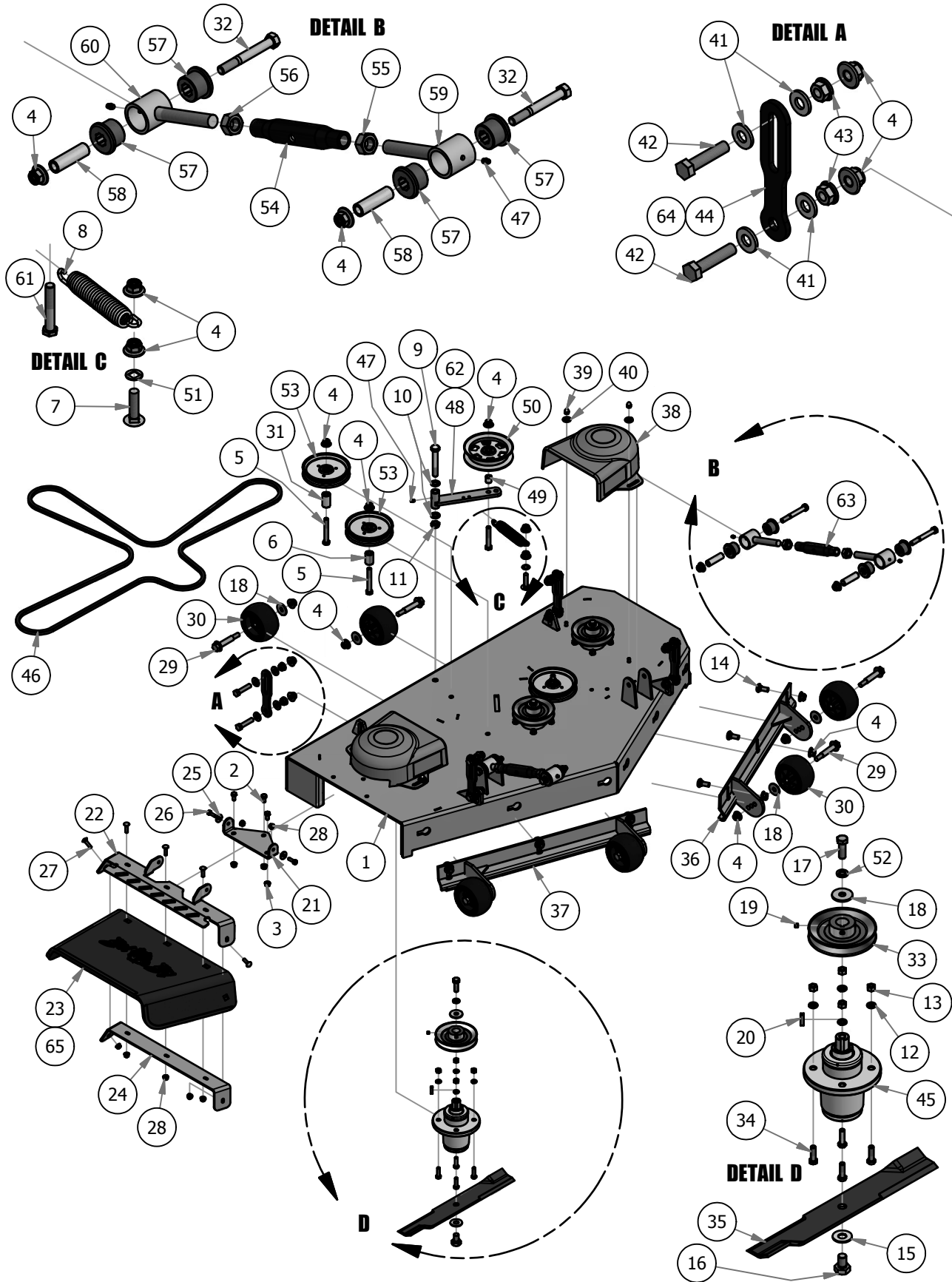


PARTS SECTION: OUTLAW XP SEAT ASSEMBLY

| Parts List | | | | Parts List | | | |
|------------|-----|-------------|-------------------------------------|------------|-----|-------------|---------------------------------------------|
| ITEM | QTY | PART NUMBER | DESCRIPTION | ITEM | QTY | PART NUMBER | DESCRIPTION |
| 1 | 1 | 080-5116-17 | 2017 Outlaw Seat Bracket | 39 | 2 | 013-9005-00 | 5/16-18 Nylock Jam Nut 1/2 Nut |
| 2 | 1 | 014-2100-00 | Outlaw Cooler Cover | 40 | 1 | 069-1000-00 | Brake Handle Cam Over |
| 3 | 1 | 026-2016-00 | 2016 Seat Plate Outlaw | 41 | 1 | 069-7000-00 | Rubber Brake Grip-c2T/ZT 2013 |
| 4 | 10 | 018-8065-00 | *Varies* | 42 | 1 | 032-5053-00 | Bronze Bushing SF-1220-8 |
| 5 | 6 | 019-6042-00 | .360 ID Plastic Washer | 43 | 1 | 013-9003-00 | 3/8 Nylock Jam Nut 1/2 Nut |
| 6 | 10 | 013-5202-00 | 3/8" Nylock Flange Nut | 44 | 1 | 031-2045-00 | Outlaw 2016 Tank Support (Left) |
| 7 | 2 | 018-5043-00 | 3/8" x 1 1/4" Carriage Bolt | 45 | 1 | 031-2040-00 | Outlaw 2015 Tank Support (Right) |
| 8 | 4 | 030-7042-00 | 5/16 x 3/4 washer head type F screw | 46 | 1 | 064-9001-00 | 2015 XP Brake Cable - Long |
| 9 | 14 | 013-8049-00 | 5/16" Nylock Flange Nut Zinc | 47 | 1 | 064-9000-00 | 2015 XP Brake Cable - Short |
| 10 | 2 | 019-6050-00 | .360 ID Plastic Washer-Black | 48 | 1 | 018-2007-00 | 5/16" x 1" Bolt |
| 11 | 1 | 071-5060-00 | 2015 Outlaw Seat | 49 | 2 | 062-8013-00 | Filter Head-Hydraulic Filter |
| 12 | 4 | 013-9002-00 | 5/16" Flange Nut | 50 | 2 | 024-5050-00 | Filter Head Fitting 1/2 x 1/2 |
| 13 | 1 | 036-5300-00 | Seat Switch Adapter | 51 | 2 | 063-8014-00 | Filter |
| 14 | 3 | 077-8073-00 | Safety Switch | 52 | 2 | 024-5342-00 | 1/2" Pipe to 3/8" Barb |
| 15 | 4 | 018-8058-00 | 10-24 x 1 BS C/S 18-8 SS | 53 | 4 | 018-8052-00 | 1/4" x 3/4" Hex Bolt |
| 16 | 6 | 013-5019-00 | 10-24 Nylon Insert Locknut | 54 | 4 | 019-4008-00 | 1/4" Lock Washer |
| 17 | 2 | 025-6041-00 | Switch Block Plastic | 55 | 1 | 025-0001-00 | 2015 Brake Lever Spacer |
| 18 | 1 | 054-8017-00 | Choke | 56 | 3 | 018-4706-00 | 3/8 x 1 1/2 Carriage Bolt |
| 19 | 1 | 013-6051-00 | 3/8" Fine Threaded Jam Nut | 57 | 2 | 018-5040-00 | 3/8" x 1 1/4" Hex Bolt |
| 20 | 2 | 018-0009-00 | 3/8 x 1 3/4 Carriage Bolt | 58 | 2 | 034-8045-00 | Seat Spring |
| 21 | 4 | 018-1010-00 | 3/8-16x3-1/2 grade 5 hex bolt | 59 | 2 | 014-8047-00 | Seat Spring Cap Cover |
| 22 | 9 | 019-5029-00 | 3/8" Flat Washer | 60 | 2 | 019-5037-00 | 3/8" Lock Washer |
| 23 | 1 | 055-2012-00 | Universal Throttle | 61 | 2 | 013-6014-00 | 3/8-16 Hex Nuts Zinc |
| 24 | 2 | 018-5200-00 | 10-24 X 5/8 BS Button Head Bolt | 62 | 2 | 051-8063-00 | 3/8" Clear Hose |
| 25 | 2 | 018-4700-00 | 3/8-16x3 grade 5 hex bolt | 63 | 2 | 051-8064-00 | 1/2 Clear Braded Hose Priced/Foot |
| 26 | 2 | 018-0024-00 | M6-1.0 X 16MM Hex Bolt | 64 | 2 | 034-1025-00 | Brake Spring |
| 27 | 1 | 067-0020-00 | Carbon Canister | 65 | 1 | 028-0085-00 | Seat Latch Rod Assembly 2016 Models |
| 28 | 1 | 051-8072-00 | 1/4" Vinyl Tubing | 66 | 1 | 064-8081-00 | Seat Cable |
| 29 | 1 | 051-8073-00 | 3/16 Vinyl Tubing | 67 | 1 | 055-2013-00 | Throttle Knob |
| 30 | 2 | 072-8073-00 | 3/16" Vinyl Hose Clamp | 68 | 1 | 055-8021-75 | Outlaw Throttle Cable (Cable Only) |
| 31 | 2 | 072-8070-00 | 3/16 Vinyl Clamp | 69 | 1 | 071-5063-00 | Extreme/XP Outlaw Seat Cushion - Bottom |
| 32 | 1 | 039-2130-00 | Outlaw Filter Bracket | 70 | 1 | 071-5064-00 | Extreme/XP Outlaw Seat Cushion - Back |
| 33 | 2 | 013-5041-00 | 3/8 Nylock Nut | 71 | 1 | 071-5062-00 | Extreme/XP Outlaw Seat Arm Pads Only (Pair) |
| 34 | 4 | 019-7040-00 | 1/4" Flat Washer | 72 | 1 | 071-5061-00 | Extreme/XP Outlaw Seat Arm Rest (Pair) |
| 35 | 4 | 072-8066-00 | 1/2 Hose Clamp | 73 | 1 | 071-5015-00 | Extreme/XP Outlaw Seat Rails |
| 36 | 4 | 072-8065-00 | 3/8" Hose Clamp | 74 | 1 | 071-8061-00 | Seat Switch |
| 37 | 1 | 039-0150-00 | Brake Cable Adapter Bracket | 75 | 1 | 071-2013-00 | Seat Belt Kit (Not Shown) |
| 38 | 2 | 018-1080-00 | 12-24x 1/2 HWH Bolt | | | | |



PARTS SECTION: OUTLAW 54" DECK



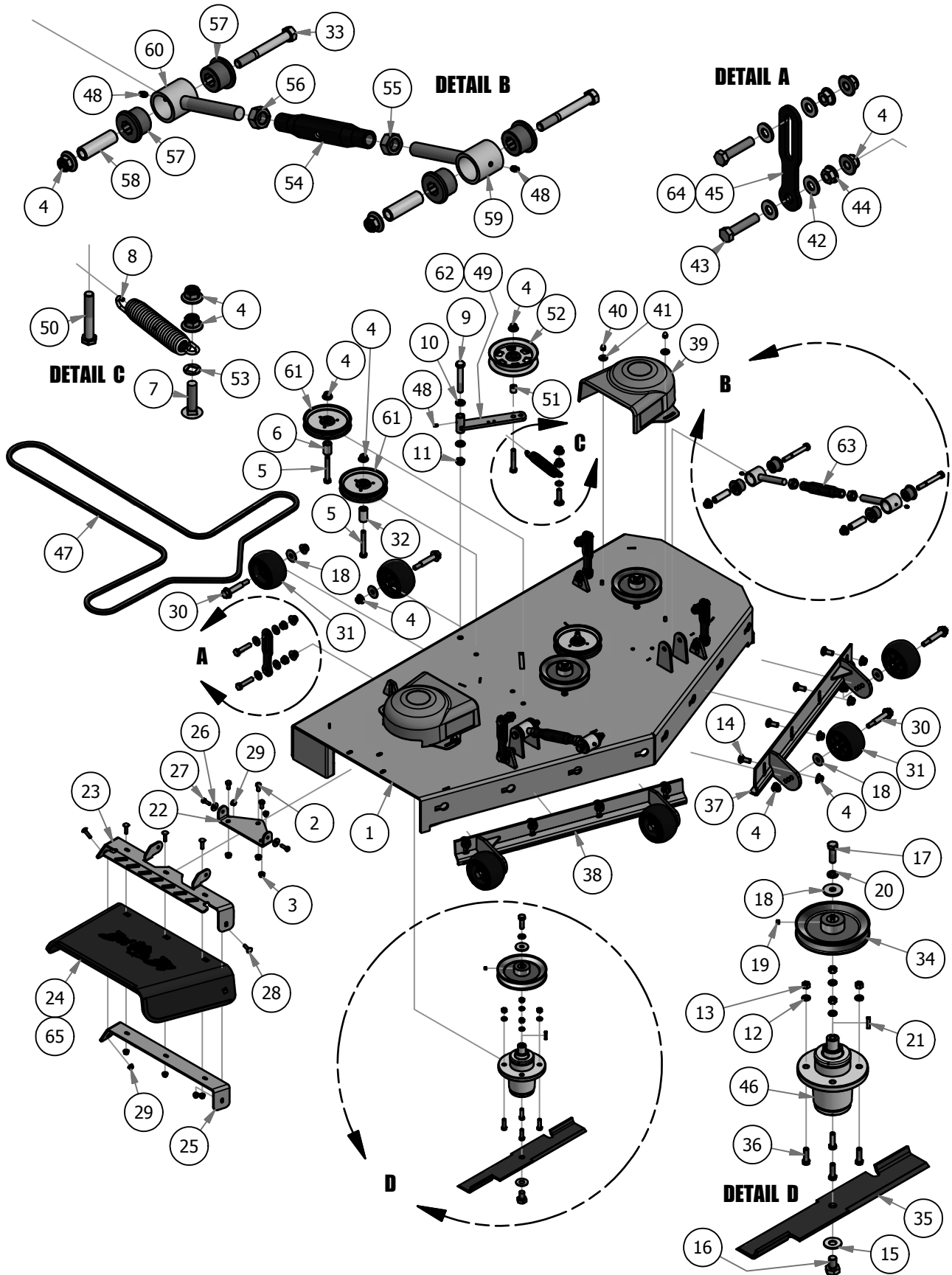


PARTS SECTION: OUTLAW 54" DECK

| Parts List | | | | Parts List | | | |
|------------|-----|-------------|--------------------------------------------|------------|-----|-------------|------------------------------------------------------------|
| ITEM | QTY | PART NUMBER | DESCRIPTION | ITEM | QTY | PART NUMBER | DESCRIPTION |
| 1 | 1 | 060-5550-00 | 2015 54" Deck | 34 | 12 | 018-5040-00 | 3/8" x 1 1/4" Hex Bolt |
| 2 | 3 | 018-5250-00 | 3/8" x 3/4" Hex Bolt | 35 | 3 | 038-0001-00 | 54" Deck Fusion Blade For Outlaw |
| 3 | 3 | 013-5201-00 | 3/8" Flange Nut | 36 | 1 | 060-5520-00 | 54 Deck Adjustable Front (Left) |
| 4 | 30 | 013-8050-00 | 1/2-13 Nylon Flange Nut | 37 | 1 | 060-5530-00 | 54 Deck Adjustable Front (Right) |
| 5 | 3 | 018-2018-00 | 1/2 x 3 1/2 Flange Bolt Grade 8 | 38 | 2 | 014-5000-00 | Pulley Cover |
| 6 | 2 | 025-5338-00 | Idler Pulley Standoff | 39 | 4 | 013-0004-00 | Acorn nut-pulley Cover |
| 7 | 1 | 018-1050-00 | 1/2 x 2" Carriage Bolt | 40 | 4 | 019-6050-00 | .360 ID Plastic Washer-Black |
| 8 | 1 | 034-2020-00 | Deck Idler Spring | 41 | 16 | 019-8054-00 | .505 Nylon Spacer |
| 9 | 1 | 018-5311-00 | 5/8" x 4" Hex Bolt | 42 | 8 | 018-6037-00 | 1/2-13X 2-1/4 GR Hex Bolts |
| 10 | 2 | 019-6017-00 | .630 ID Plastic Washer | 43 | 8 | 013-5300-00 | 1/2" Flange Nut |
| 11 | 1 | 013-5301-00 | 5/8-11 Nylon Insert Jam Half Nut | 44 | 4 | 039-2125-00 | Deck_Hanging_Tab |
| 12 | 12 | 019-5037-00 | 3/8 Lockwasher Zinc | 45 | 3 | 037-4000-00 | OUTLAW SPINDLE ASSEMBLY |
| 13 | 12 | 013-6014-00 | 3/8-16 Hex Nuts Zinc | 46 | 1 | 041-1650-00 | 60" ZT Deck Belt |
| 14 | 6 | 018-3003-00 | 1/2" x 1 1/4 Carriage Bolt | 47 | 5 | 024-6034-00 | 1/4" Press in Grease Fitting |
| 15 | 3 | 019-5038-00 | 5/8" Flat Washer | 48 | 1 | 039-6945-00 | Deck Idler |
| 16 | 3 | 018-6020-00 | 5/8" x 1 1/2" Grade 8 Hex Bolt (Fine) | 49 | 1 | 025-5203-00 | Spacer 3/4 OD x 1/2 ID x 3/4 Length |
| 17 | 3 | 018-6019-00 | 1/2"-20 x 1 1/2 - Grade 5 Fine Thread Bolt | 50 | 1 | 033-8050-00 | 5" Idler Pulley |
| 18 | 9 | 019-6020-00 | 1/2" Belleville Washer | 51 | 1 | 019-0007-00 | .517 Square Hole Round Washer |
| 19 | 3 | 030-0050-00 | 5/16 Set Screw | 52 | 3 | 019-5007-00 | 1/2" Lock Washer |
| 20 | 3 | 042-6030-00 | 1/4" x 1" Key | 53 | 3 | 033-7201-25 | 5-3/4 Idler Pulley-Capitol Stampings |
| 21 | 1 | 206-6017-00 | Discharge Chute Hanger (deck mounted) | 54 | 2 | 048-7020-00 | 2015 Outlaw Toplink Body |
| 22 | 1 | 039-4864-00 | 60" Discharge Chute Upper Hanger | 55 | 2 | 013-0008-00 | 3/4-10 Left-Handed Hex Nuts Zinc |
| 23 | 1 | 210-6005-00 | Rubber Discharge Chute | 56 | 2 | 013-0007-00 | 3/4-10 Hex Nuts Zinc |
| 24 | 1 | 039-4863-00 | 60" Discharge Lower Bracket | 57 | 8 | 032-2000-00 | Bushing |
| 25 | 2 | 019-6042-00 | .360 ID Plastic Washer | 58 | 4 | 032-2001-00 | Sleeve |
| 26 | 2 | 018-2007-00 | 5/16" x 1" Bolt | 59 | 2 | 048-7022-00 | Turn Left-Handed |
| 27 | 5 | 018-4703-00 | 5/16" x 1 1/4" Carriage Bolt | 60 | 2 | 048-7021-00 | Right-Handed End |
| 28 | 7 | 013-8049-00 | 5/16" Nylock Flange Nut Zinc | 61 | 1 | 018-7016-00 | 1/2-13 x GR 5 Hex Bolt Zinc |
| 29 | 6 | 018-0010-00 | Deck Wheel Bolt | 62 | 1 | 039-6945-01 | Deck Idler Assembly - Includes parts:4, 47, 48, 49, 50, 61 |
| 30 | 6 | 022-1000-00 | Anti-Scalp Roller | 63 | 2 | 048-7000-00 | Turnbuckle Assembly |
| 31 | 1 | 025-5339-00 | 1 3/4" Pulley Spacer | 64 | 1 | 039-2125-17 | Outlaw Deck Hanger Assembly - Includes Parts:4,41,42,43,44 |
| 32 | 4 | 018-5019-00 | 1/2" x 4" Bolt (Grade 8) | 65 | 1 | 210-6005-98 | Chute Assembly - Includes Parts:22,23,24,27,28 |
| 33 | 3 | 033-6006-00 | 5.25" Deck Spindle Pulley | | | | |



PARTS SECTION: OUTLAW 61" DECK



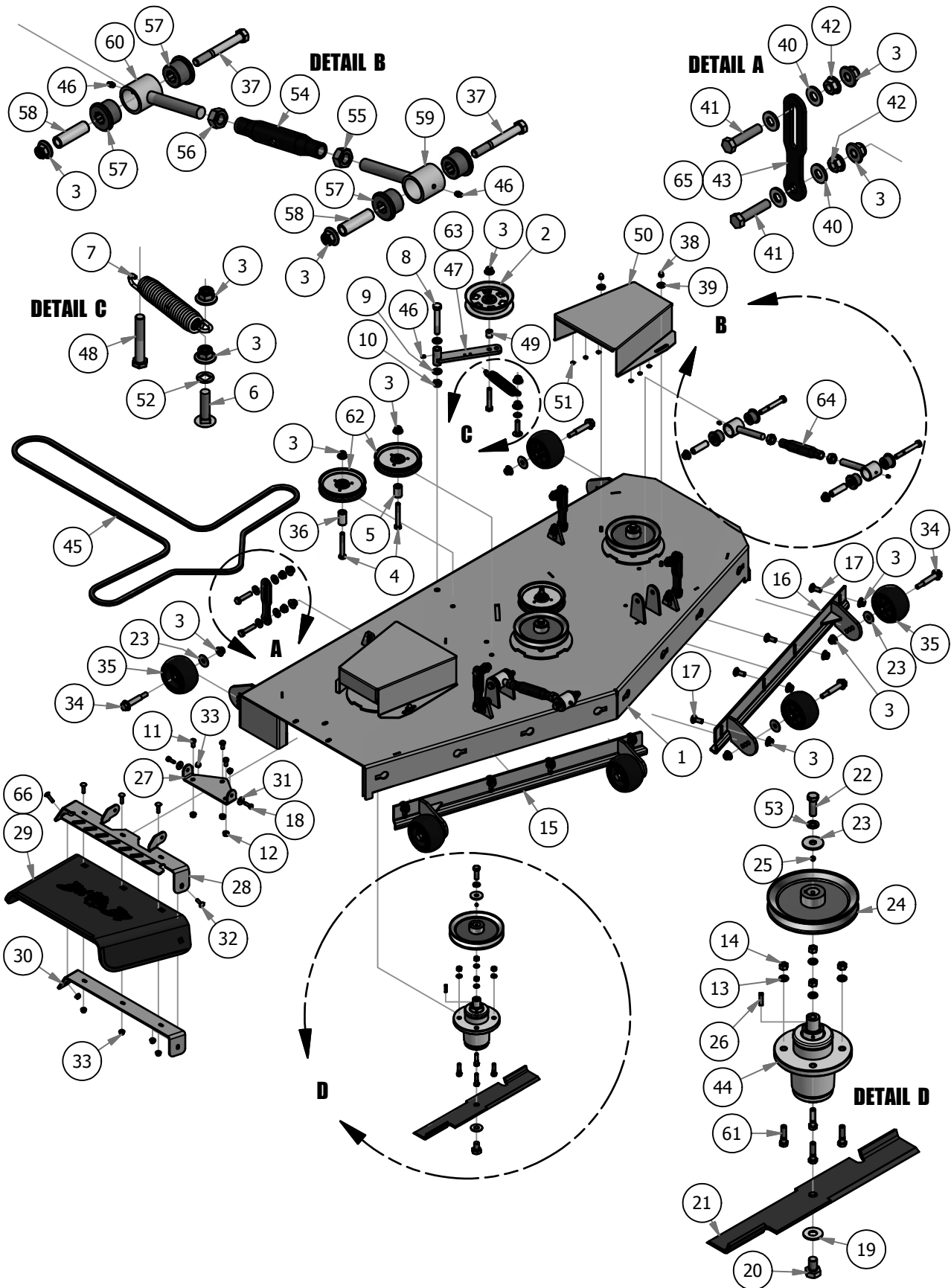


PARTS SECTION: OUTLAW 61" DECK

| Parts List | | | | Parts List | | | |
|------------|-----|-------------|--------------------------------------------|------------|-----|-------------|--------------------------------------------------------------|
| ITEM | QTY | PART NUMBER | DESCRIPTION | ITEM | QTY | PART NUMBER | DESCRIPTION |
| 1 | 1 | 060-6150-00 | 2015 61" Deck | 34 | 3 | 033-6004-00 | 6 1/4" Drive Pulley |
| 2 | 3 | 018-5250-00 | 3/8" x 3/4" Hex Bolt | 35 | 3 | 038-6080-00 | 61 inch Fusion Blade |
| 3 | 3 | 013-5201-00 | 3/8" Flange Nut | 36 | 12 | 018-5040-00 | 3/8" x 1 1/4" Hex Bolt |
| 4 | 32 | 013-8050-00 | 1/2-13 Nylon Flange Nut | 37 | 1 | 060-6220-00 | 61 Deck Adjustable Front (Left) |
| 5 | 3 | 018-2018-00 | 1/2 x 3 1/2 Flange Bolt Grade 8 | 38 | 1 | 060-6210-00 | 61 Deck Adjustable Front (Right) |
| 6 | 2 | 025-5338-00 | Idler Pulley Standoff | 39 | 2 | 014-5000-00 | Pulley Cover |
| 7 | 1 | 018-1050-00 | 1/2 x 2" Carriage Bolt | 40 | 4 | 013-0004-00 | Acorn nut-pulley Cover |
| 8 | 1 | 034-2020-00 | Deck Idler Spring | 41 | 4 | 019-6050-00 | .360 ID Plastic Washer-Black |
| 9 | 1 | 018-5311-00 | 5/8" x 4" Hex Bolt | 42 | 16 | 019-8054-00 | .505 Nylon Spacer |
| 10 | 2 | 019-6017-00 | .630 ID Plastic Washer | 43 | 8 | 018-6037-00 | 1/2-13X 2-1/4 GR Hex Bolts |
| 11 | 1 | 013-5301-00 | 5/8-11 Nylon Insert Jam Half Nut | 44 | 8 | 013-5300-00 | 1/2" Flange Nut |
| 12 | 12 | 019-5037-00 | 3/8 Lockwasher Zinc | 45 | 4 | 039-2125-00 | Deck_Hanging_Tab |
| 13 | 12 | 013-6014-00 | 3/8-16 Hex Nuts Zinc | 46 | 3 | 037-4000-00 | OUTLAW SPINDLE ASSEMBLY |
| 14 | 8 | 018-3003-00 | 1/2" x 1 1/4 Carriage Bolt | 47 | 1 | 041-0178-00 | B178 Belt For 61 Inch Outlaw |
| 15 | 3 | 019-5038-00 | 5/8" Flat Washer | 48 | 5 | 024-6034-00 | 1/4" Press in Grease Fitting |
| 16 | 3 | 018-6020-00 | 5/8" x 1 1/2" Grade 8 Hex Bolt (Fine) | 49 | 1 | 039-6945-00 | Deck Idler |
| 17 | 3 | 018-6019-00 | 1/2"-20 x 1 1/2 - Grade 5 Fine Thread Bolt | 50 | 1 | 018-7016-00 | 1/2-13 x GR 5 Hex Bolt Zinc |
| 18 | 9 | 019-6020-00 | 1/2" Belleville Washer | 51 | 1 | 025-5203-00 | Spacer 3/4 OD x 1/2 ID x 3/4 Length |
| 19 | 3 | 030-0050-00 | 5/16 Set Screw | 52 | 1 | 033-8050-00 | 5" Idler Pulley |
| 20 | 3 | 019-5007-00 | 1/2" Lock Washer | 53 | 1 | 019-0007-00 | .517 Square Hole Round Washer |
| 21 | 3 | 042-6030-00 | 1/4" x 1" Key | 54 | 2 | 048-7020-00 | 2015 Outlaw Toplink Body |
| 22 | 1 | 206-6017-00 | Discharge Chute Hanger (deck mounted) | 55 | 2 | 013-0008-00 | 3/4-10 Left-Handed Hex Nuts Zinc |
| 23 | 1 | 039-4864-00 | 60" Discharge Chute Upper Hanger | 56 | 2 | 013-0007-00 | 3/4-10 Hex Nuts Zinc |
| 24 | 1 | 210-6005-00 | Rubber Discharge Chute | 57 | 8 | 032-2000-00 | Bushing |
| 25 | 1 | 039-4863-00 | 60" Discharge Lower Bracket | 58 | 4 | 032-2001-00 | Sleeve |
| 26 | 2 | 019-6042-00 | .360 ID Plastic Washer | 59 | 2 | 048-7022-00 | Turn Left-Handed |
| 27 | 2 | 018-2007-00 | 5/16" x 1" Bolt | 60 | 2 | 048-7021-00 | Right-Handed End |
| 28 | 5 | 018-4703-00 | 5/16" x 1 1/4" Carriage Bolt | 61 | 3 | 033-7201-25 | 5-3/4 Idler Pulley-Capitol Stampings |
| 29 | 7 | 013-8049-00 | 5/16" Nylock Flange Nut Zinc | 62 | 1 | 039-6945-01 | Deck Idler Assembly - Includes parts: 4, 49, 48, 50, 51, 52, |
| 30 | 6 | 018-0010-00 | Deck Wheel Bolt | 63 | 2 | 048-7000-00 | Turnbuckle Assembly |
| 31 | 6 | 022-1000-00 | Anti-Scalp Roller | 64 | 1 | 039-2125-17 | Outlaw Deck Hanger Assembly - Includes Parts:4,42,43,44,45 |
| 32 | 1 | 025-5339-00 | 1 3/4" Pulley Spacer | 65 | 1 | 210-6005-98 | Chute Assembly - Includes Parts:23,24,25,28,29 |
| 33 | 4 | 018-5019-00 | 1/2" x 4" Bolt (Grade 8) | | | | |



PARTS SECTION: OUTLAW 72" DECK



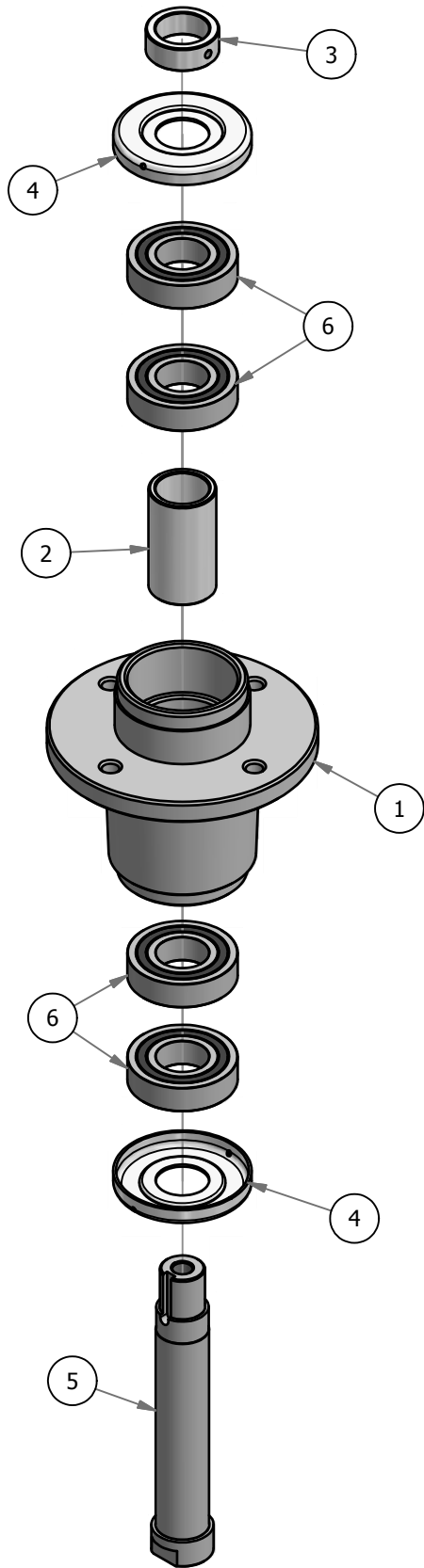


PARTS SECTION: OUTLAW 72" DECK

| Parts List | | | | Parts List | | | |
|------------|-----|-------------|---------------------------------------------|------------|-----|-------------|------------------------------------------------------------|
| ITEM | QTY | PART NUMBER | DESCRIPTION | ITEM | QTY | PART NUMBER | DESCRIPTION |
| 1 | 1 | 060-7250-00 | 2015 72" Deck | 34 | 6 | 018-0010-00 | Deck Wheel Bolt |
| 2 | 1 | 033-8050-00 | 5" Idler Pulley | 35 | 6 | 022-1000-00 | Anti-Scalp Roller |
| 3 | 32 | 013-8050-00 | 1/2-13 Nylon Flange Nut | 36 | 1 | 025-5339-00 | 1 3/4" Pulley Spacer |
| 4 | 3 | 018-2018-00 | 1/2 x 3 1/2 Flange Bolt Grade 8 | 37 | 4 | 018-5019-00 | 1/2" x 4" Bolt (Grade 8) |
| 5 | 2 | 025-5338-00 | Idler Pulley Standoff | 38 | 4 | 013-0004-00 | Acorn nut-pulley Cover |
| 6 | 1 | 018-1050-00 | 1/2 x 2" Carriage Bolt | 39 | 4 | 019-6050-00 | .360 ID Plastic Washer-Black |
| 7 | 1 | 034-2020-00 | Deck Idler Spring | 40 | 16 | 019-8054-00 | .505 Nylon Spacer |
| 8 | 1 | 018-5311-00 | 5/8" x 4" Hex Bolt | 41 | 8 | 018-6037-00 | 1/2-13X 2-1/4 GR Hex Bolts |
| 9 | 2 | 019-6017-00 | .630 ID Plastic Washer | 42 | 8 | 013-5300-00 | 1/2" Flange Nut |
| 10 | 1 | 013-5301-00 | 5/8-11 Nylon Insert Jam Half Nut | 43 | 4 | 039-2125-00 | Deck_Hanging_Tab |
| 11 | 3 | 018-5250-00 | 3/8" x 3/4" Hex Bolt | 44 | 3 | 037-4000-00 | OUTLAW SPINDLE ASSEMBLY |
| 12 | 3 | 013-5201-00 | 3/8" Flange Nut | 45 | 1 | 041-0202-00 | B202 Belt for 72" Outlaw |
| 13 | 12 | 019-5037-00 | 3/8 Lockwasher Zinc | 46 | 5 | 024-6034-00 | 1/4" Press in Grease Fitting |
| 14 | 12 | 013-6014-00 | 3/8-16 Hex Nuts Zinc | 47 | 1 | 039-6945-00 | Deck Idler |
| 15 | 1 | 060-7211-00 | 72" Deck Adjustable Front (Right) | 48 | 1 | 018-7016-00 | 1/2-13 x GR 5 Hex Bolt Zinc |
| 16 | 1 | 060-7210-00 | 72" Deck Adjustable Front (Left) | 49 | 1 | 025-5203-00 | Spacer 3/4 OD x 1/2 ID x 3/4 Length |
| 17 | 8 | 018-3003-00 | 1/2" x 1 1/4" Carriage Bolt | 50 | 2 | 014-7204-00 | 72 Outlaw Spindle Pulley Cover |
| 18 | 2 | 018-2007-00 | 5/16" x 1" Bolt | 51 | 12 | 058-6000-00 | Black, Round Stick-On Rubber Bumper |
| 19 | 3 | 019-5038-00 | 5/8" Flat Washer | 52 | 1 | 019-0007-00 | .517 Square Hole Round Washer |
| 20 | 3 | 018-6020-00 | 5/8" x 1 1/2" Grade 8 Hex Bolt (Fine) | 53 | 3 | 019-5007-00 | 1/2" Lock Washer |
| 21 | 3 | 038-7230-00 | 72" High Lift Fusion Blade | 54 | 2 | 048-7020-00 | 2015 Outlaw Toplink Body |
| 22 | 3 | 018-6019-00 | 1/2"-20 x 1 1/2" - Grade 5 Fine Thread Bolt | 55 | 2 | 013-0008-00 | 3/4-10 Left-Handed Hex Nuts Zinc |
| 23 | 9 | 019-6020-00 | 1/2" Belleville Washer | 56 | 2 | 013-0007-00 | 3/4-10 Hex Nuts Zinc |
| 24 | 3 | 033-7203-00 | 7" Deck Pulley | 57 | 8 | 032-2000-00 | Bushing |
| 25 | 3 | 030-0050-00 | 5/16 Set Screw | 58 | 4 | 032-2001-00 | Sleeve |
| 26 | 3 | 042-6030-00 | 1/4" x 1" Key | 59 | 2 | 048-7022-00 | Turn Left-Handed |
| 27 | 1 | 206-6017-00 | Discharge Chute Hanger (deck mounted) | 60 | 2 | 048-7021-00 | Right-Handed End |
| 28 | 1 | 039-4864-00 | 60" Discharge Chute Upper Hanger | 61 | 12 | 018-6012-00 | 3/8" x 1 1/2" Hex Bolt |
| 29 | 1 | 210-6005-00 | Rubber Discharge Chute | 62 | 3 | 033-7201-25 | 5-3/4 Idler Pulley-Capitol Stampings |
| 30 | 1 | 039-4863-00 | 60" Discharge Lower Bracket | 63 | 1 | 039-6945-01 | Deck Idler Assembly - Includes parts: 2,3,46,47,48,49 |
| 31 | 2 | 019-6042-00 | .360 ID Plastic Washer | 64 | 2 | 048-7000-00 | Turnbuckle Assembly |
| 32 | 5 | 018-4703-00 | 5/16" x 1 1/4" Carriage Bolt | 65 | 1 | 039-2125-17 | Outlaw Deck Hanger Assembly - Includes Parts:3,40,41,42,43 |
| 33 | 7 | 013-8049-00 | 5/16" Nylock Flange Nut Zinc | 66 | 1 | 210-6005-98 | Chute Assembly - Includes Parts:28,29,30,32,33 |



PARTS SECTION: 037-4000-00 DOUBLE BEARING SPINDLE

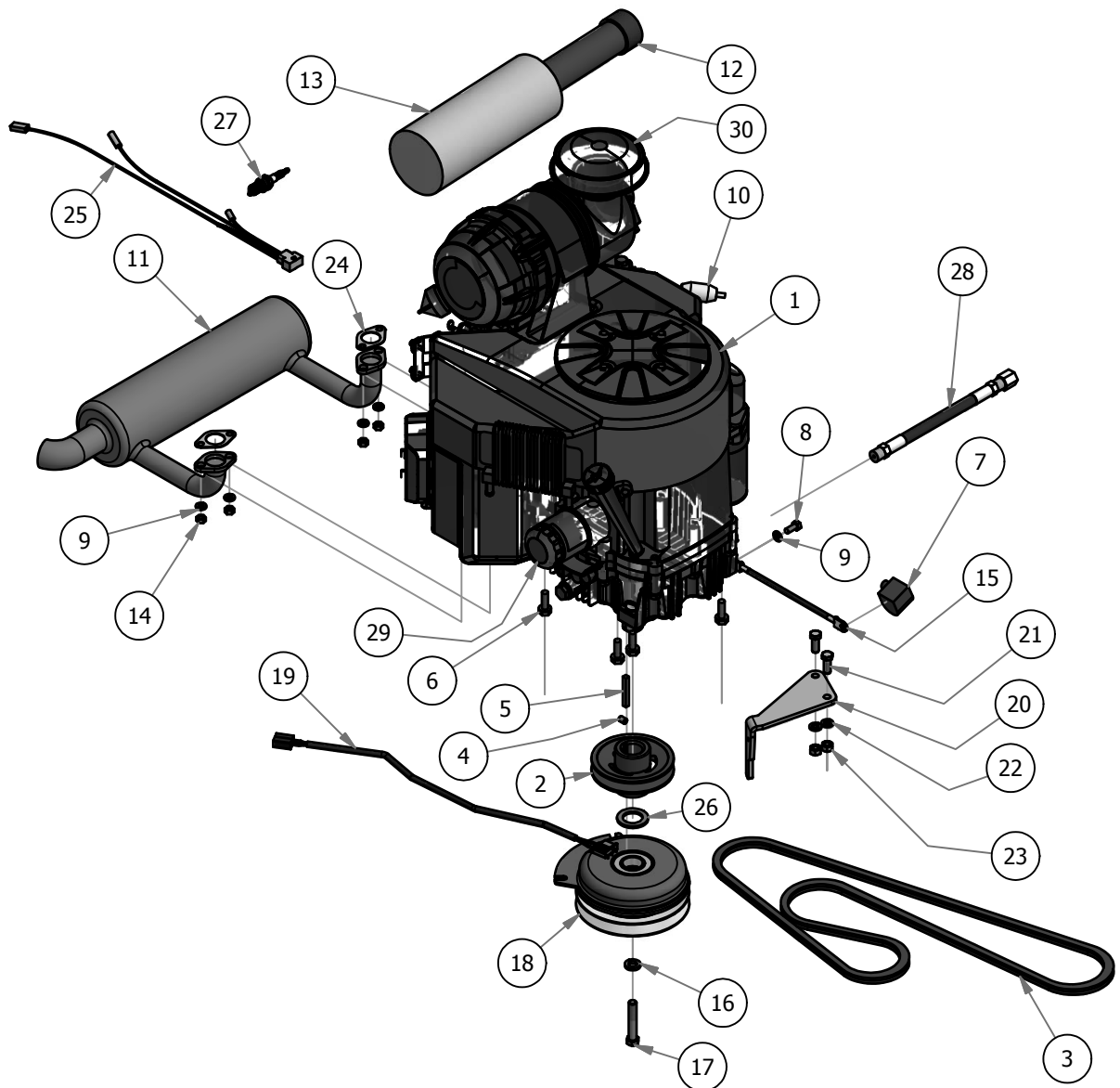


| Parts List | | | |
|------------|-----|-------------|-------------------------------------|
| ITEM | QTY | PART NUMBER | DESCRIPTION |
| 1 | 1 | 037-4000-01 | 4000 Series Spindle Housing |
| 2 | 1 | 037-4002-00 | 4000 Series Spindle Spacer |
| 3 | 1 | 037-9050-00 | Locking Collar w/ 1/4"-20 Set Screw |
| 4 | 2 | 037-8002-00 | Spindle Dust Cap |
| 5 | 1 | 037-6026-00 | Spindle Shaft |
| 6 | 4 | 037-6029-00 | Bearing - Peer 6206 |



PARTS SECTION: FX 850-V KAWASAKI

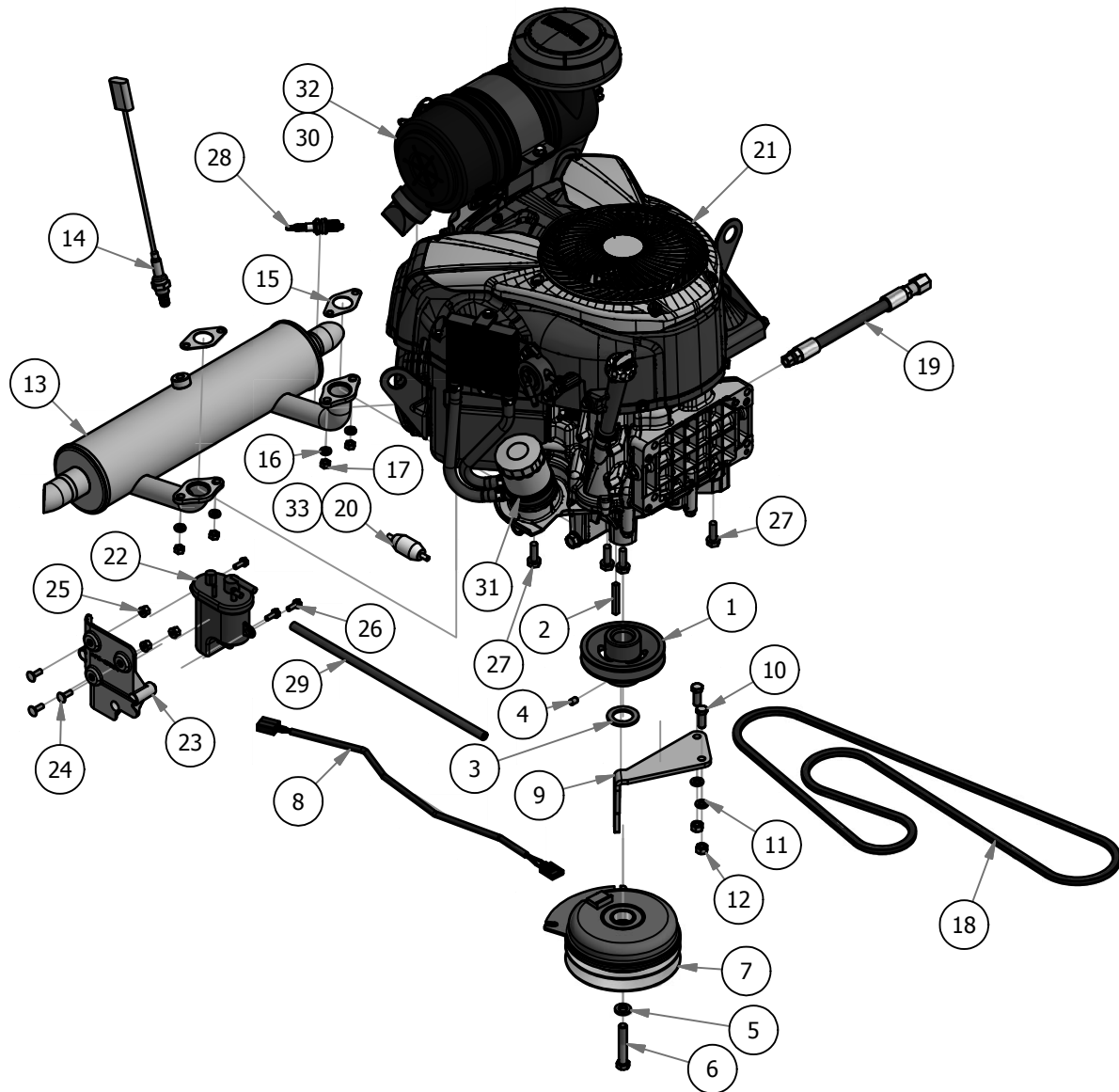
| Parts List | | | | Parts List | | | |
|------------|-----|-------------|--------------------------------|------------|-----|-------------|-------------------------|
| ITEM | QTY | PART NUMBER | DESCRIPTION | ITEM | QTY | PART NUMBER | DESCRIPTION |
| 1 | 1 | 015-0031-00 | Kawasaki Engine FX-850-V-CS09R | 16 | 1 | 019-8053-00 | 7/16" Lock Washer |
| 2 | 1 | 033-5035-00 | 4 3/4 Motor Pulley | 17 | 1 | 018-5300-00 | 7/16" x 2 1/2" Hex Bolt |
| 3 | 1 | 041-8411-00 | Pump Belt | 18 | 1 | 070-1000-00 | Clutch Assembly |
| 4 | 1 | 030-6029-00 | 3/8" Set Screw | 19 | 1 | 070-2000-00 | Clutch Pigtail |
| 5 | 1 | 042-5020-00 | 1/4 x 2 Square key Stock | 20 | 1 | 057-5906-00 | PTO Engager Holder |
| 6 | 4 | 018-1075-00 | 3/8 x 1 1/8 bolt | 21 | 2 | 018-6049-00 | 3/8" x 1" Hex Bolt |
| 7 | 1 | 103-5400-00 | Black Boot For Ground Cable | 22 | 2 | 019-5037-00 | 3/8" Lock Washer |
| 8 | 1 | 018-5321-00 | M8x1.20x20MM Hex head bolt | 23 | 2 | 013-6014-00 | 3/8" Hex Nut |
| 9 | 5 | 019-8051-00 | 5/16" Lock Washer | 24 | 2 | 015-2709-00 | Exhaust Gasket |
| 10 | 1 | 063-6000-00 | Universal Inline Fuel Filter | 25 | 1 | 086-9002-00 | Harness Adaptor |
| 11 | 1 | 015-0035-00 | Kawasaki Exhaust | 26 | 1 | 019-6029-00 | 1 1/8" Flat Spacer |
| 12 | 1 | 063-8020-00 | Canister Air Filter- Inner | 27 | 2 | 015-8001-00 | Spark Plug - Kawasaki |
| 13 | 1 | 063-8019-00 | Canister Air Filter- Outer | 28 | 1 | 051-5404-00 | Oil drain Hose |
| 14 | 4 | 013-0075-00 | M8-1.25 Zinc Nut | 29 | 1 | 063-8017-00 | Kawasaki Oil Filter |
| 15 | 1 | 086-0005-00 | Ground Cable | 30 | 1 | 088-1071-00 | Kawasaki Rain Cap |





PARTS SECTION: 824CC YAMAHA

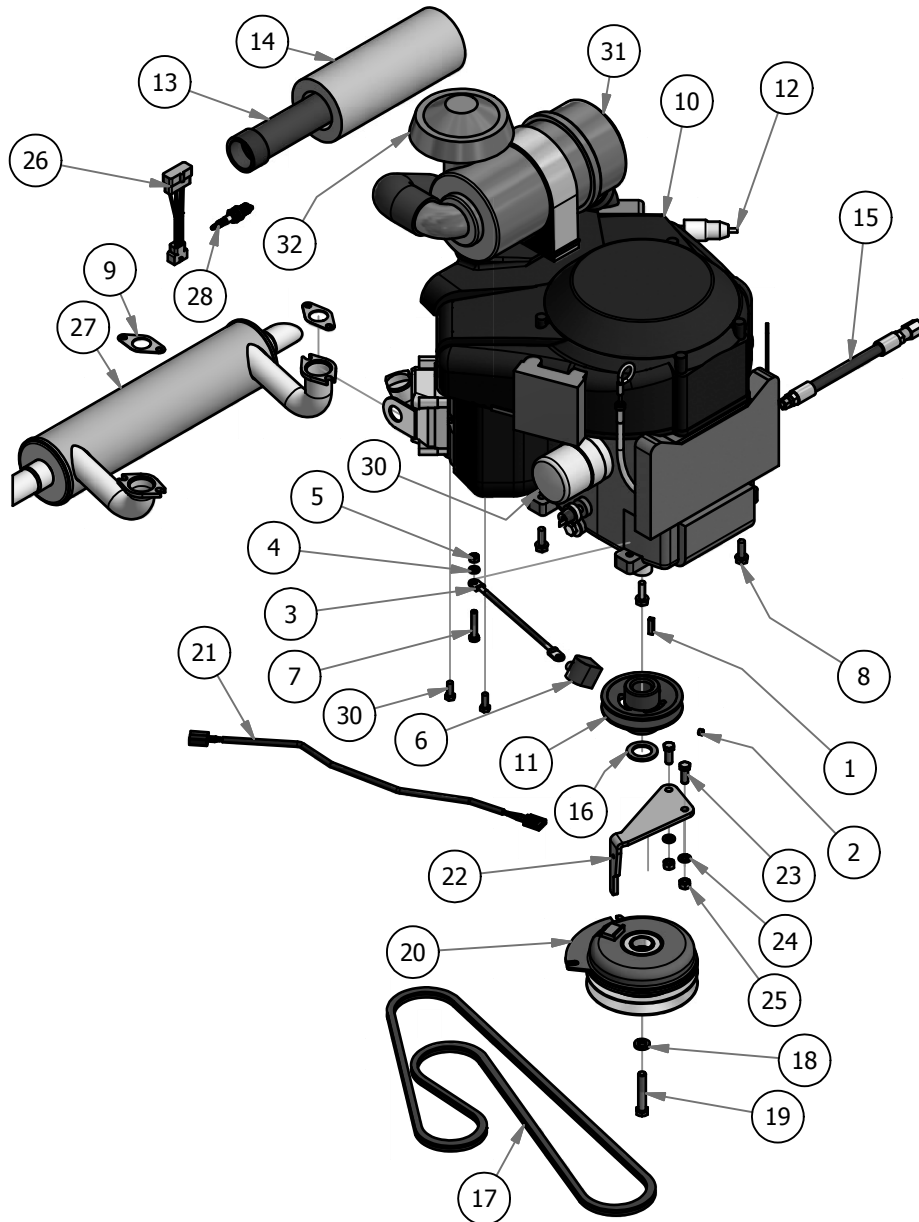
| Parts List | | | | Parts List | | | |
|------------|-----|-------------|---------------------------|------------|-----|-------------|----------------------------------|
| ITEM | QTY | PART NUMBER | DESCRIPTION | ITEM | QTY | PART NUMBER | DESCRIPTION |
| 1 | 1 | 033-5035-00 | 4 3/4 Motor Pulley | 18 | 1 | 041-8411-00 | Pump Belt Diesel |
| 2 | 1 | 042-5020-00 | 1/4 x 2 Square key Stock | 19 | 1 | 051-5403-00 | Oil drain Hose for Yamaha |
| 3 | 1 | 019-6029-00 | 1 1/8" Flat Spacer | 20 | 1 | 063-6000-00 | Universal Inline Fuel Filter |
| 4 | 1 | 030-6029-00 | 3/8" Set Screw | 21 | 1 | 015-0053-00 | Yamaha 33hp Engine |
| 5 | 1 | 019-8053-00 | 7/16" Lock Washer | 22 | 1 | 015-0053-03 | Yamaha Fuel Pump |
| 6 | 1 | 018-5300-00 | 7/16" x 2 1/2" Hex Bolt | 23 | 1 | 015-0053-04 | Yamaha Fuel Pump Bracket |
| 7 | 1 | 070-1000-00 | Clutch Assembly | 24 | 3 | 019-8040-00 | 1/4" x 3/4" Carriage Bolt |
| 8 | 1 | 070-2000-00 | Clutch Pigtail | 25 | 3 | 013-2050-00 | 1/4-20 Nylon Insert flange Nut |
| 9 | 1 | 057-5906-00 | PTO Engager Holder | 26 | 3 | 018-0099-00 | M6-1.0x16mm Washer Head Hex Bolt |
| 10 | 2 | 018-6049-00 | 3/8" x 1" Hex Bolt | 27 | 4 | 018-1075-00 | 3/8 x 1 1/8 bolt |
| 11 | 2 | 019-5037-00 | 3/8" Lock Washer | 28 | 2 | 015-0053-06 | Spark Plug - Yamaha |
| 12 | 2 | 013-6014-00 | 3/8" Hex Nut | 29 | 1 | 051-8067-00 | 1/4 Fuel Line 15" |
| 13 | 1 | 015-0050-00 | Yamaha Muffler | 30 | 1 | 063-8019-00 | Canister Air Filter- Outer |
| 14 | 1 | 015-0053-05 | O2 Sensor for Yamaha | 31 | 1 | 015-0053-02 | Oil Filter |
| 15 | 2 | 015-0053-01 | Exhaust Gasket for yamaha | 32 | 1 | 063-8020-00 | Canister Air Filter- Inner |
| 16 | 4 | 019-8051-00 | 5/16" Lock Washer | 33 | 1 | 015-0053-21 | Yamaha Fuel Filter |
| 17 | 4 | 013-0075-00 | M8-1.25 Zinc Nut | | | | |





PARTS SECTION: 993CC VANGUARD

| Parts List | | | | Parts List | | | |
|------------|-----|-------------|-------------------------------------|------------|-----|-------------|----------------------------------|
| ITEM | QTY | PART NUMBER | DESCRIPTION | ITEM | QTY | PART NUMBER | DESCRIPTION |
| 1 | 1 | 042-6030-00 | 1/4" x 1" Key | 17 | 1 | 041-8411-00 | Pump Belt |
| 2 | 1 | 030-0050-00 | 5/16 Set Screw | 18 | 1 | 019-8053-00 | 7/16" Lock Washer |
| 3 | 1 | 086-0005-00 | Ground Cable | 19 | 1 | 018-5300-00 | 7/16" x 2 1/2" Hex Bolt |
| 4 | 1 | 019-8051-00 | 5/16" Lock Washer | 20 | 1 | 070-1000-00 | Clutch Assembly |
| 5 | 1 | 013-8043-00 | 5/16" Nut | 21 | 1 | 070-2000-00 | Clutch Pigtail |
| 6 | 1 | 103-5400-00 | Black Boot For Ground Cable | 22 | 1 | 057-5906-00 | PTO Engager Holder |
| 7 | 1 | 018-8059-00 | 5/16" x 1 3/4" Hex Bolt | 23 | 2 | 018-6049-00 | 3/8" x 1" Hex Bolt |
| 8 | 3 | 018-1075-00 | 3/8 x 1 1/8 bolt | 24 | 2 | 019-5037-00 | 3/8" Lock Washer |
| 9 | 2 | 015-0025-00 | Exhaust Gasket for 23 Vanguard | 25 | 2 | 013-6014-00 | 3/8" Hex Nut |
| 10 | 1 | 015-3600-00 | 993cc Briggs Vanguard Engine | 26 | 1 | 086-9001-00 | Harness Adaptor - 933cc Vanguard |
| 11 | 1 | 033-5035-00 | 4 3/4 Motor Pulley | 27 | 1 | 015-0049-00 | 2015 Exhaust - 36hp Vanguard |
| 12 | 1 | 063-6000-00 | Universal Inline Fuel Filter | 30 | 4 | 018-0017-00 | Torx Bolt-Exhaust |
| 13 | 1 | 063-8020-00 | Canister Air Filter- Inner | 28 | 2 | 015-8000-00 | Spark Plug |
| 14 | 1 | 063-8019-00 | Canister Air Filter- Outer | 30 | 1 | 063-8018-00 | Briggs Oil Filter |
| 15 | 1 | 051-5402-00 | 14 mm Oil drain Hose 993cc Vanguard | 31 | 1 | 015-2705-00 | Complete Canister |
| 16 | 1 | 019-6029-00 | 1 1/8" Flat Spacer | 32 | 1 | 063-2045-00 | Rain Cap Fits all Canisters |





PARTS SECTION: DECALS



091-0902-00
FLOORBOARD LOGO DECAL



091-0919-18
ARMORTEK5 DECAL



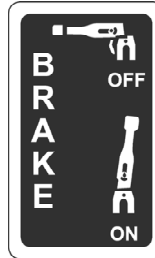
091-0414-18
824cc BACKPLATE DECAL



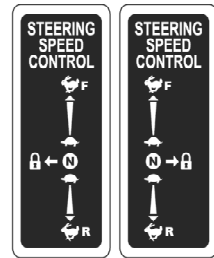
091-0348-18
852cc BACKPLATE DECAL



091-0347-18
993cc BACKPLATE DECAL



091-1101-18
BRAKE DECAL



091-1114-00
STEERING SPEED CONTROL DECAL



091-1104-18
THROTTLE DECAL



091-0904-18
54" DECK DECAL



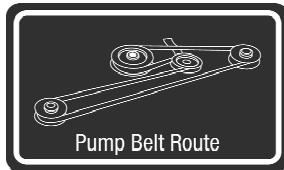
091-0917-18
61" DECK DECAL



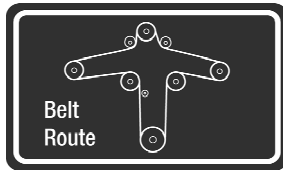
091-0918-18
72" DECK DECAL



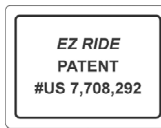
091-8001-00
IMPACT ABSORPTION PATENT DECAL



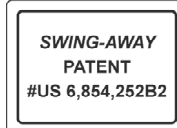
091-3017-00
PUMP BELT ROUTE DECAL



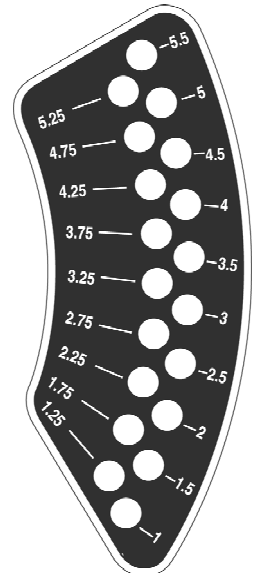
091-3309-00
DECK BELT ROUTE DECAL



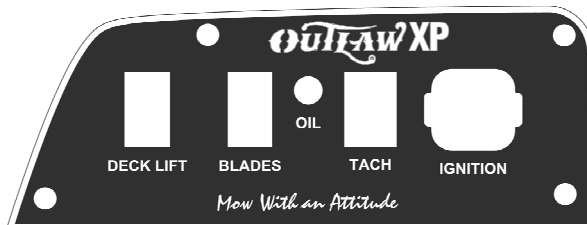
091-8000-00
EZ RIDE PATENT DECAL



091-3060-00
SWING-AWAY PATENT DECAL



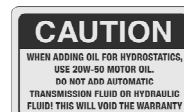
091-1105-18
DECK HEIGHT DECAL



091-1154-18
CONTROL PANEL DECAL



091-3150-00
CAUTION/DANGER DECAL



091-1020-00
CAUTION DECAL



091-3012-00
DANGER DECAL



2018 LIMITED WARRANTY FOR

BAD BOY COMMERCIAL MOWER

(STAND ON, WALK-BEHIND, DIESEL, OUTLAW, OUTLAW EXTREME, AND OUTLAW XP)

1. WHAT THIS WARRANTY COVERS, AND FOR HOW LONG:

Bad Boy, Inc. will, at its option, repair or replace, without charge, any part covered by the warranty which is found to be defective in material and/or workmanship for two (2) years * after the date of sale to the original retail purchaser unless the product is used for rental purposes, in which case this warranty is limited to ninety (90) days.

The leading edge of the deck shell will be warranted for the entire lifetime of the machine to the original purchaser against defects in materials and workmanship. Labor required to repair or replace the leading edge of the deck shell will be covered by Bad Boy Inc. for two years and at the unit owner's expense during the balance of the lifetime of the machine.

Belts are warranted for a period of ninety (90) days against materials or workmanship defects.

Seats are warranted for a period of (6) months against material or workmanship defects.

At Bad Boy, Inc.'s request, customer will make the defective part available for inspection by Bad Boy, Inc. and/or return the defective part to Bad Boy, Inc., transportation charges prepaid.

2. WHAT THIS WARRANTY DOES NOT COVER:

A. This warranty does not cover defects caused by depreciation or damage caused by normal wear, accidents, improper maintenance, improper use or abuse of the product, alterations, or failure to follow the instruction contained in the Owner's Manual for operation and maintenance.

B. The customer shall pay any charges for making service calls and/or for transporting the mower to and from the place where the inspection and/or warranty work is performed.

Bad Boy Inc will not be responsible for the pickup and delivery of a machine for warranty purposes.

C. Engines are warranted separately by their respective manufacturer. The available warranties covering this item are furnished with each mower. Bad Boy, Inc does not assume any warranty obligation, liability or modification for this item, which is covered exclusively by the stated warranty of the respective manufacturers.

D. Tires, blades, deck anti-scalping wheels, and dust covers are considered to be consumable wear items and are therefore not warranted.

E. Batteries are warranted for six months (free replacement) from the retail purchase date against materials or workmanship defects. The battery warranty must be obtained through the battery manufacturer.

F. Normal maintenance services such as oil change, cleaning, lubrication, adjustment.

G. Replacement of services, items, such as oil, lubricants, spark plugs, belts, rubber hoses or other items subject to normal service replacement.

3. HOW TO OBTAIN SERVICE UNDER THIS WARRANTY:

A. Warranty service can be arranged by contacting the dealer where you purchased the mower. Proof of the date of purchase may be required to verify warranty coverage. Warranty repairs must be completed by an authorized Bad Boy center.

B. Warranty claims will not be reviewed or paid unless the warranty registration is received by Bad Boy, Inc. within 30 days of the retail purchase date.

C. Warranty claims requiring parts returned will be settled upon return of parts to Bad Boy for inspection.

D. All warranty issues must be handled through an authorized service center or dealership.

4. WARRANTY LIMITATION:

A. **THERE IS NO OTHER EXPRESS WARRANTY. ANY WARRANTY THAT MAY BE IMPLIED FROM THIS PURCHASE INCLUDING MERCHANTABILITY AND FITNESS FOR A PARTICULAR PURPOSE IS HEREBY LIMITED TO THE DURATION OF THIS WARRANTY AND TO THE EXTENT PERMITTED BY LAW ANY AND ALL IMPLIED WARRANTIES ARE EXCLUDED.** Some states do not allow limitations on how long an implied warranty lasts, so the above limitations may not apply to you.

B. **BAD BOY, INC. WILL NOT BE LIABLE FOR ANY INCIDENTAL, CONSEQUENTIAL, OR SPECIAL DAMAGES AND/OR EXPENSES IN CONNECTION WITH THE PURCHASE OR USE OF THE MOWER.** Some states do not allow the exclusion or limitation of incidental or consequential damages, so the above limitation(s) or exclusion(s) may not apply to you.

C. Only the warranty expressed in this limited warranty shall apply and no dealer, distributor, or individual is authorized to amend, modify, or extend this warranty in any way. Accordingly, additional statements such as dealer advertising or presentations, whether oral or written, do not constitute warranties by Bad boy, Inc., and should not be relied on.

D. This warranty extends only to turf equipment operated under normal conditions and properly serviced and maintained. The warranty expressly does not cover (i) any defects, damage or deterioration due to normal use, wear and tear, or exposure; (ii) normal maintenance services such as oil change, cleaning, lubrication, adjustment; (iii) replacement of services, items, such as oil, lubricants, spark plugs, belts, rubber hoses or other items subject to normal service replacement; (iv) damage or defects arising out of or relating to misuse, neglect, alteration, negligence or accident; (v) repair or replacement arising from operation of or use of the turf equipment which is not in accordance with operating instructions as specified in the operator's manual or other operational instructions provided by Bad Boy Inc.; (vi) repair or replacement arising as a result of any operation from turf equipment that has been altered or modified so as to, indetermination of Bad Boy, Inc., adversely affect the operation, performance or durability of the equipment or that has altered, modified or affected the turf equipment so as to change the intended use of the product; (vii) repair or replacement necessitated by use of parts, accessories or supplies, including gasoline, oil or lubricants, incompatible with the turf equipment or other than as recommended in the operator's manual or other operational instructions provided by Bad Boy, Inc.; (viii) repairs or replacements resulting from parts or accessories which have adversely affected the operation, performance or durability of the turf equipment; or (ix) damage or defects due to or arising out of repair of turf equipment by person or persons other than an authorized Bad Boy, Inc., service dealer or the installation of parts other than genuine Bad Boy, Inc., recommended parts.

As a condition to this warranty, customer shall have read the operator's manual and ensured the mower has been registered within 30 days of purchase.

E. This warranty gives you specific legal rights, and you may also have other rights, which vary from state to state.



NOTES:

A series of horizontal lines for writing notes, starting below the 'NOTES:' label and extending across the width of the page.



BAD BOY, INC.
102 INDUSTRIAL DRIVE
BATESVILLE, AR 72501
WWW.BADBOYMOWERS.COM

Technical Support:.....techsupport@badboymowers.com
Warranty:warranty@badboymowers.com
Parts:.....partsdept@badboymowers.com

WARRANTY REGISTRATION

Ensure selling dealership has registered mower within
30 days of purchase to validate warranty.

Please record your serial number, date of purchase and dealership information
for your records.

Serial # _____

Date of Purchase _____

Dealer Information _____



For additional information, please see us at

www.badboymowers.com

Bad Boy, Inc.
102 Industrial Drive
Batesville, Arkansas 72501