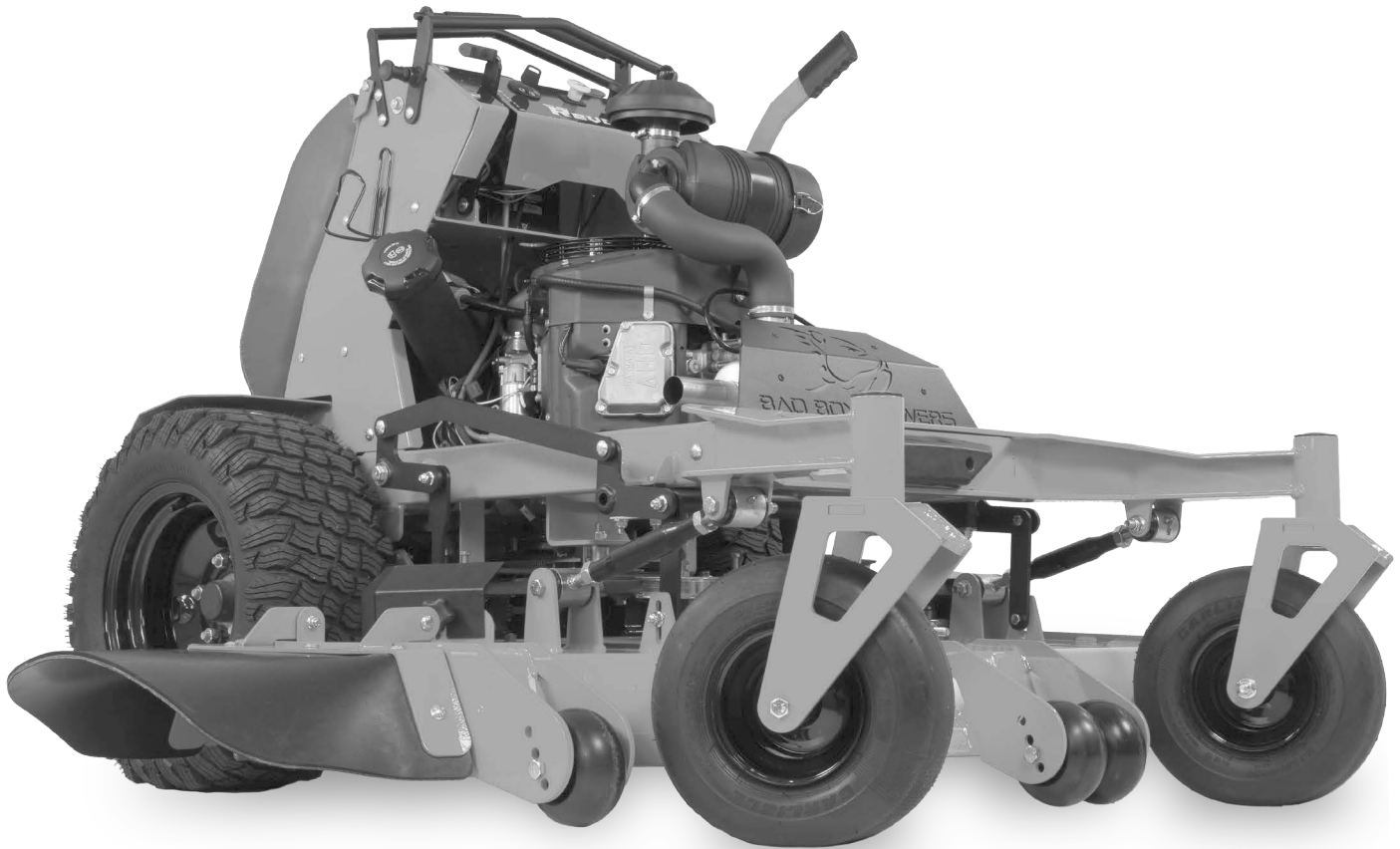


# BAD BOY MOWERS



## **REVOLT STAND ON ZERO-TURN MOWER OWNER'S, SERVICE & PARTS MANUAL**

For additional information, please see us at  
[www.badboymowers.com](http://www.badboymowers.com)

Bad Boy, Inc.  
102 Industrial Drive  
Batesville, Arkansas 72501



# TABLE OF CONTENTS

Basic Information .....	<b>Section 1</b>	Page 4
Bad Boy Safety Guidelines.....	<b>Section 2</b>	Page 5
Mower Operation.....	<b>Section 3</b>	Page 9
Maintenance.....	<b>Section 4</b>	Page 10
Storage and Transportation.....	<b>Section 5</b>	Page 10
Troubleshooting and FAQ .....	<b>Section 6</b>	Page 12
Controls.....	<b>Section 7</b>	Page 13
Moving In-operable Mower.....	<b>Section 8</b>	Page 14
Instrumentation .....	<b>Section 9</b>	Page 14
Mower Blade Maintenance.....	<b>Section 10</b>	Page 15
Equipment Lubrication.....	<b>Section 11</b>	Page 15
How To Choose the Right Blade .....		Page 16
Mowing Tips .....		Page 17
Service Section .....		Page 18
Parts Section.....		Page 34
Limited Warranty .....		Page 50



## **THIS MANUAL APPLIES TO THE FOLLOWING EQUIPMENT:**

### **BAD BOY REVOLT SERIES**

BRV 4800 48" 726cc Kawasaki FX730V

BRV 5400 54" 726cc Kawasaki FX730V

## **COMMONLY USED ITEMS AND PART NUMBERS**

48" Blade	Hi-Lift Fusion 038-4826-00	Gator Blade 038-5000-00	Wave Blade 038-4825-00
54" Blade	Hi-Lift Fusion 038-0001-00	Gator Blade 038-0003-00	Wave Blade 038-5220-00
48" Deck Belt	041-5200-00		
54" Deck Belt	041-0120-00		
Pump Belt	041-8052-00		
Oil Filter	063-8017-00		
Air Filter	Inner Air Filter 063-8020-00	Outer Air Filter 063-8019-00	
Oil Filter	10W-30 Motor Oil - Bad Boy Synthetic Blend Motor Oil Recommended		
Hydraulic Oil	20W-50 Motor Oil - Bad Boy Hydrostatic Oil Recommended Approximately 2 quarts per side		



## SECTION 1: BASIC INFORMATION

Congratulations on the purchase of your new Bad Boy Mower! The purpose of this manual is to assist operators in maintaining and operating their machine. The information and instructions in this manual can help you attain years of performance from your new Bad Boy. Also, check out our website to learn more about the Bad Boy family.

- 1.1 All Bad Boy engines use 10W-30 engine oil. For maximum protection, Bad Boy synthetic blend engine oil is recommended.
- 1.2 All Bad Boy hydraulic systems use 20W-50 engine oil (Conventional or Synthetic). Bad Boy Hydrostatic oil is recommended.
- 1.3 All Bad Boy Mowers use hi-temp multi-purpose grease. NLGI No. 2 for the grease fittings.
- 1.4 REVOLT models have 12 psi in both front and rear tires.
- 1.5 Most Briggs, Kohler, Kawasaki, and Vanguard engines hold approximately two (2) quarts of motor oil. Be careful not to over fill engine oil. Refer to engine's service manual.

### WARRANTY REGISTRATION

The Warranty Registration form must be completed within 30 days to validate your warranty. As the new equipment owner, you are expected to see that the form is completed and forwarded to Bad Boy Inc. at time of delivery. Warranty is nontransferable. **Warranty registration should be completed by the selling dealership using the on-line registration site.**

### MODEL/SERIAL NUMBER

Your Revolt model serial numbers are found on the SIN plate inside podium and under the floor panel. Also, these numbers can assist you in the ordering of new parts when replacements become necessary.

### PARTS/SERVICE

Only Bad Boy replacement parts are to be used on your mower. Replacement parts are available through your local Bad Boy Mower Dealer. Remember to always provide the following information when ordering parts:

1. Correct part number
2. Correct serial number

All warranty repair and service must be handled through your authorized Bad Boy Mowers dealer. To locate the nearest dealer, go to our website and click on Locate a Dealer.

### EVAPORATIVE EMISSION CONTROL WARRANTY STATEMENT

#### ***Federal Evaporative Emission Control Warranty: Your Warranty Rights and Obligations***

The Environmental Protection Agency (EPA), and Bad Boy Inc. are pleased to explain the evaporative emission control system's warranty on your 2019 equipment. New equipment that uses spark ignition engines for off-road use must meet stringent anti-smog standards. The evaporative emission control system on your equipment is designed, built, and equipped so it conforms at the time of sale to the ultimate purchaser with the requirements of 40 CFR 1060. The evaporative emission control system is free from defects in materials and workmanship that may keep it from meeting said requirements. Bad Boy Inc. must warrant the evaporative emission control system on your equipment for two years provided there has been no abuse, neglect, or improper maintenance. If an evaporative emission control system component does fail in a manner that would cause the equipment to no longer meet the requirements of 40 CFR 1060 within the first two years Bad Boy Inc. will replace the defective component. Your evaporative emission control system may include parts such as fuel tanks, fuel lines, carbon canisters, fuel caps, valves, vapor hoses, clamps, or connectors.



## SECTION 2: MOWER SAFETY GUIDELINES

Never allow untrained people to operate this machine. It is the owner's responsibility to get training and see to it that anyone who has permission to use your machine receives the proper training. Do not mow around people. The factory discharge chute is designed to deflect debris downward, but it could be possible for debris to be thrown in a way that can cause damage to people or property. Seek additional training when possible to learn more about safety techniques and practices. **This cutting machine is capable of amputating hands and feet and throwing objects. Failure to observe the following safety instructions could result in serious injury or death.**

### GENERAL OPERATION

- 2.1 Read, understand, and follow all instructions on the machine and in the manual before starting.
- 2.2 Do not put hands or feet near rotating parts or under the machine. Keep clear of the discharge opening at all times.
- 2.3 Only allow responsible adults who are familiar with the instructions to operate this machine.
- 2.4 Clear the area of objects such as rocks, wire, toys etc., which could be thrown by the blades
- 2.5 Always maintain a safe distance from people and pets just prior to, and during, operation. Stop the machine if anyone enters the area.
- 2.6 Never carry passengers.
- 2.7 Do not mow in reverse unless absolutely necessary. Always look down and behind before and while backing.
- 2.8 Never direct discharged material toward anyone. Avoid discharging material against a wall or obstruction as material may ricochet back toward the operator. Stop the blades when crossing gravel surfaces.
- 2.9 Never operate the machine without the discharge chute, grass catcher, or other safety devices correctly in place and functioning properly.
- 2.10 Slow down before turning.
- 2.11 Always disengage blades, place steering controls in neutral, engage parking brake, and remove ignition key when leaving operators seat. Never leave a running machine unattended.
- 2.12 Disengage blades when not mowing. Shut off engine and wait for all parts to come to a complete stop before cleaning the machine, inspecting the machine for damage, removing the grass catcher, or unclogging the discharge guard.
- 2.13 Always operate machine in daylight or with adequate working lights.
- 2.14 Do not operate the machine while under the influence of alcohol or drugs.
- 2.15 Watch for traffic when operating near or crossing roadways.
- 2.16 Always wear eye protection when operating or servicing the machine.
- 2.17 Always wear ear protection, such as earplugs, while mowing.
- 2.18 Use extra care when loading or unloading the machine into a trailer or truck.
- 2.19 Be alert of surroundings. Watch for rocks, stumps, mounds, depressions, and low hanging limbs or objects that could be potentially hazardous while mowing.
- 2.20 Data indicates that operators 60 years of age and above are involved in a large percentage of riding mower related injuries. These operators should periodically evaluate their ability to operate the riding mower safely enough to protect themselves and others from serious injury.
- 2.21 Prevent fires by keeping engine and exhaust areas clear of grass clippings and other debris. Do not park or back mower over or immediately adjacent to flammable materials.



## **SLOPE OPERATION**

Slopes are a major factor related to loss of control and tip over accidents, which can result in severe injury or death. Operation on all slopes requires extra caution. If you cannot back up the slope, or you feel uneasy on it, do not mow it.

- 2.22 Mow up and down slopes, not across.
- 2.23 Watch for holes, ruts, bumps, rocks, or other hidden objects that tall grass can obscure. Uneven terrain could overturn the machine.
- 2.24 Choose a low ground speed when operating the machine on a slope.
- 2.25 Do not mow on wet grass, the tires may lose traction.
- 2.26 Do not attempt to coast down a slope in the neutral position.
- 2.27 Avoid starting, stopping, or turning on a slope. If the tires lose traction, disengage the blades and proceed slowly, straight down the slope.
- 2.28 Keep all movement on slopes slow and gradual. Sudden changes in speed or direction could cause the machine to roll over.
- 2.29 Use extra care while operating machine with grass catchers or other attachments: they can affect the stability of the machine. Do not use on steep slopes.
- 2.30 Do not try to stabilize the machine by putting your foot on the ground.
- 2.31 Do not mow near drop offs, ditches or embankments. The machine could suddenly roll over if a wheel goes over the edge or the edge caves in.
- 2.32 Be aware of what is located at the bottom of slopes. For example: rocks water, cliffs, and roadways.

## **CHILDREN**

Tragic accidents can occur if the operator is not alert to the presence of children. Children are often attracted to the machine and the mowing activity. NEVER assume that children will remain where you last saw them.

- 2.33 Keep children out of the mowing area and in the watchful care of a responsible adult other than the operator.
- 2.34 Maintain Alertness and turn machine off if a child enters the area.
- 2.35 Before and while backing, look behind and down for small children.
- 2.36 Never carry children, even with blades shut off. They may fall off and be seriously injured or interfere with safe machine operation. Children who have been given rides in the past may suddenly appear in the mowing area for another ride and be run over or backed over by the machine.
- 2.37 Never allow children to operate the machine.
- 2.38 Never leave the key in the ignition, especially around children.
- 2.39 Use extreme care when approaching blind corners, shrubs, trees, or other objects that may block your view of a child



## TOWING

- 2.40 Tow only with a machine that has a hitch specifically designed for towing. Do not attach towed equipment except at the hitch point.
- 2.41 Follow the manufacturer's recommendation for weight limits for towed equipment and towing on slopes.
- 2.42 Never allow children or others in or on towed equipment.
- 2.43 On slopes, the weight of the towed equipment may cause loss of traction and loss of control.
- 2.44 Travel slowly and allow extra distance to stop.

## SERVICE

### SAFE HANDLING OF GASOLINE

To avoid personal injury or property damage, use extreme care in handling gasoline. Gasoline is extremely flammable and the vapors are explosive.

- 2.45 Extinguish all cigarettes, cigars, pipes, and all other sources of ignition.
- 2.46 Use only an approved gasoline container.
- 2.47 Never remove gas cap or add fuel with the engine running.
- 2.48 Allow engine to cool before refueling.**
- 2.49 Never fuel the machine indoors.
- 2.50 Do not store machine near open flame or source of ignition, such as a water heater or furnace.
- 2.51 Remove gas powered equipment from the truck or trailer and refuel it on the ground. If this is not possible, then refuel such equipment with a portable container, rather than from a gasoline dispenser nozzle.
- 2.52 Never fill gasoline containers inside a vehicle or on a truck or trailer bed with a plastic liner. Always place containers on the ground away from your vehicle before filling.
- 2.53 Keep the nozzle in contact with the rim of the fuel tank or container opening at all times until the fueling is complete. Do not use a nozzle lock-open device.
- 2.54 If fuel is spilled on clothing, change clothing immediately.
- 2.55 Never overfill fuel tank. Replace gas cap and tighten securely. **Tank is full when level reaches bottom of fill tube.**

### GENERAL SERVICE

- 2.56 Never operate machine in a closed area where dangerous carbon monoxide fumes can collect.
- 2.57 Keep all nuts and bolts tight to be sure the equipment is in safe working condition. Never operate a poorly maintained machine.
- 2.58 Do not touch hot areas of the machine.
- 2.59 Never interfere with the intended function of a safety device or reduce the protection provided by a safety device. Check their proper operation regularly.
- 2.60 Keep the entire machine free of grass, leaves, or other debris build up. Clean up oil or fuel spillage and remove any fuel-soaked debris. Failure to do so can affect the safety and functionality of the machine, as well as increase the danger of a fire due to contact with the hot surfaces of the machine.
- 2.61 Allow machine to cool before storing.



- 2.62 If you strike something with the mower, turn the mower and blades off, engage the parking brake, and inspect the machine for damage. Repair, if necessary, before resuming.
- 2.63 Never make any adjustments or repairs with the engine running.
- 2.64 Check grass catcher components and the discharge guard frequently and replace with manufacturer's recommended parts, when necessary.
- 2.65 Mower blades are sharp. Wrap the blade or wear gloves before servicing them.
- 2.66 Check parking brake operation frequently. Adjust and service as required.
- 2.67 Maintain or replace safety and instruction labels, as necessary.
- 2.68 Do not attempt to mount a tire without the proper equipment and experience to perform the job.
- 2.69 Always maintain the correct tire pressure. Do not inflate the tires above the recommended pressure. Never weld or heat a wheel and tire assembly. The heat can cause an increase in air pressure resulting in a tire explosion. Welding can structurally weaken or deform the wheel.
- 2.70 Park machine on level ground. Never allow untrained personnel to service machine. Understand service procedure before doing work.
- 2.71 Mower deck, frame, and engine compartment should remain free of debris to prevent premature parts failures or fire hazards.

## **SAFETY INTERLOCK SYSTEM**

Your Bad Boy mower is equipped with a safety interlock system. This system is designed to prevent serious injury or death to the operator and other people or property damage. The system consists of an operator presence switch in the platform, the parking brake, drive lever neutral position, the mower blade engagement switch, and the ignition switch. These interlocks are vitally important and must be tested frequently. Following are instructions to test these very important safety precautions. **Note: the operator must be standing properly on the machine during these tests and the engine should have been previously allowed to warm to operating temperature.**

- 2.72 With the parking brake engaged, operator standing on the platform, blade actuator in the off position, push the drive lever arms forward. The machine should not start.
- 2.73 With the parking brake engaged, operator standing on the platform, blade actuator in the off position, push the drive lever arms rearward. The machine should not start.
- 2.74 On a level surface, disengage the parking brake, operator standing on the platform and allow the drive lever arms to rest in neutral. Attempt to start the machine with the blade actuator in the off position. The engine should not start.
- 2.75 Engage parking brake, operator standing on the platform, and place drive lever arms in neutral. Place blade actuator in the **ON** position, attempt to start the machine. Engine should not start.
- 2.76 Now start the engine as stated in the Mower operation section. Disengage the parking brake, place blade actuator in the ON position and very slowly transfer your weight from the platform to the ground. Caution should be exercised at all times when in the presence of any mower that is running. **The engine should stop. Should the engine not shut down upon stepping off the mower, immediately return to the platform and shut the engine off via the key switch. Contact your Bad Boy dealer immediately to have serviced.**

If any of these tests fail to produce the results indicated and the problem cannot be identified, contact your Bad Boy Mower dealer or the support contacts in the rear of this manual.





## SECTION 3: MOWER OPERATION

***Never operate the machine with faulty equipment. Always be alert of sudden changes in landscape, as the mower will react differently on slopes or embankments than it will on flat surfaces. Never operate the mower with the discharge chute open. Do not cross terrain, other than grass, with blades turning. This could cause damage to property or bystanders.***

- 3.1 Ensure parking brake is engaged.
- 3.2 Ensure drive arms are in neutral position.
- 3.3 Stand on the rider platform.
- 3.4 Put PTO switch in the OFF position.
- 3.5 If machine has not been started recently, engage the choke.
- 3.6 Make sure nothing is under or around machine.
- 3.7 Place key in ignition and turn.
- 3.8 Once machine is started, disengage the choke.
- 3.9 Increase RPM by sliding the throttle to fast position, toward the rabbit.
- 3.10 Owners must become familiar with the controls before operating a zero-turn radius vehicle.
- 3.11 Start slowly and build your skill level. Have ample practice before using the machine at full capabilities.
- 3.12 Be comfortable with machine before engaging blades. Know what each component controls before using machine.
- 3.13 Your mower will perform differently on an incline /decline. Be cautious, slow down, and do not make any sudden jerking movements with control arms. The machine could lose traction on a decline or tip backwards on an incline.
- 3.14 Once you become comfortable with your Bad Boy Mower you will notice your overall mowing time will decrease.

***Avoid operating your mower on side hills of over 5 degrees,  
inclines of over 10 degrees,  
and declines of over 15 degrees.***



BAD BOY MOWERS

# SECTION 4: MOWER MAINTENANCE

Maintenance	Interval					Section
	Daily	First 8 Hours	Every 50 Hours or Annually*	Every 100 Hours or Annually*	Every 250 Hours	
Check and add engine oil	●					Section 3
Check all belts for proper alignment	●					Section 2 (Pump) 6 (Deck)
Check tire pressure and wheel lug nuts	●					Section 5
Check battery terminal connections	●					Section 4
Check condition of blades	●					Section 6
Check for fuel and oil leakage	●					Section 3
Check deck and engine compartment for debris and clean as necessary	●					
Check air filters	●					
Initial oil change		●				Section 3
Tighten nuts and screws			●			
Change engine oil and filter			●			Section 3
Initial change of hydraulic oil and filter			●			Section 1
Grease mower				●		Section 5
Replace air element and pre-cleaner♦				●		Section 3
Replace fuel filter♦				●		Section 3
Clean or replace spark plugs and set gap				●		Section 3
Change hydraulic oil and filter					●	Section 1
Clean combustion chamber <sup>Dealer</sup>					●	
Check and adjust valve clearance <sup>Dealer</sup>					●	
Clean and lap valve seating surface <sup>Dealer</sup>					●	

\*Maintenance by hour or annually whichever comes first

♦Check air and fuel filter more often in dusty conditions

<sup>Dealer</sup>Get maintenance performed at a registered dealership

# SECTION 5: MOWER STORAGE & TRANSPORTATION

- 5.1 Keep machine from collecting debris by storing in a covered area while not in use.
- 5.2 Fuel can harm your machine if left for more than 30 days without changing, especially if the fuel contains ethanol. Never use fuel with more than 10% ethanol by volume. E-15 is not permitted.
- 5.3 Disconnect the negative battery cable when machine will be stored for more than 30 days.
- 5.4 Always secure machine properly when transporting machine.
- 5.5 Do not load machine on trailer with blades engaged.
- 5.6 Do not use ramps to load the machine.
- 5.7 Make sure Parking Brake is in "ON" position.
- 5.8 In wet conditions tires may spin while loading / unloading. If necessary, wait for dry conditions before loading/unloading.
- 5.9 Make sure mode of transportation is suitable to bear the weight of mower.
- 5.10 Deck height should be set at maximum before attempting to load.
- 5.11 Secure mower with at least two straps capable of securing weight of mower.
- 5.12 Always ensure mower engine and exhaust has cooled prior to parking inside building.





## SECTION 6: TROUBLESHOOTING

6.1 **Q: *How do I prevent an uneven cutting pattern and increase the quality of cut?***

**A:** Check tire pressure, check blade sharpness (replace blades or sharpen at least once per year or when needed), make sure blades are tightened properly, check spring and belt tension, check the underside of the deck to ensure the mower deck is free of grass build-up and debris, make sure your machine is at full throttle, and vary your mowing pattern each time you cut your grass.

6.2 **Q: *What should I do if my mower won't start?***

**A:** Check battery charge and connection (grounds), check your fuel (make sure fuel is less than 30 days old and contains no water), make sure your spark plug is in good condition and spark plug wire is attached, and make sure air filter is clean (a dirty filter makes it more difficult for the engine to draw air). Check the integrity of the 25-amp main fuse; also check for any bare wires and/or bad connections.

6.3 **Q: *What should I do if the blades won't engage?***

**A:** Make sure the safety switch is plugged in on the bottom of seat. Check the underside of the PTO engager to ensure the plug is secure at switch. Also check PTO fuse underneath operator console (10-amps)

6.4 **Q: *What type of fuel is recommended for my mower?***

**A:** We recommend that you use a name brand fuel to ensure quality. Use fuel with an octane rating near 87. Higher octane fuels offer no benefit. Only fuels with an ethanol content of 10% or less may be used. By law, E-15 fuel is not permitted. Usage of E-15 will result in premature engine failure.

6.5 **Q: *Do you offer touch-up paint for your mowers?***

**A:** Touch-up paint is available. Contact your local dealer for more information.

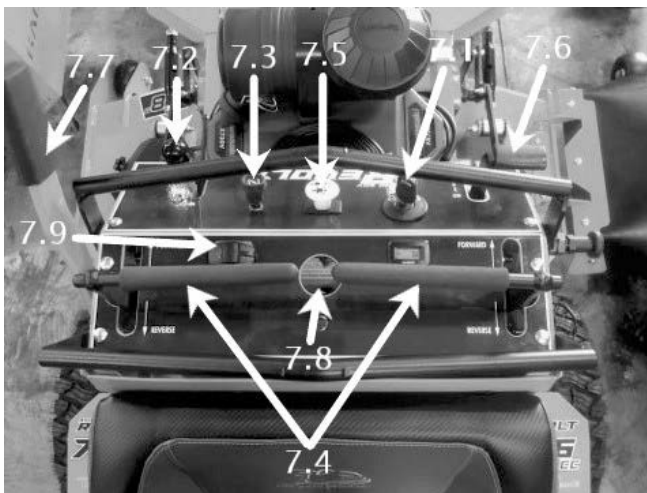
6.6 **Q: *How do I clean my mower?***

**A:** It is recommended that you use an air hose or blower to remove dust and debris from the mower, to ensure there is not a buildup of grass on the mower deck and engine compartment, which could become a fire hazard. If you must wash the mower, ensure you run the engine to operating temp to dry water and engage the blades to spin off any standing water on the pulleys. Avoid spraying water onto electrical components and bearings, to prevent premature failure of these parts.



## SECTION 7: CONTROLS

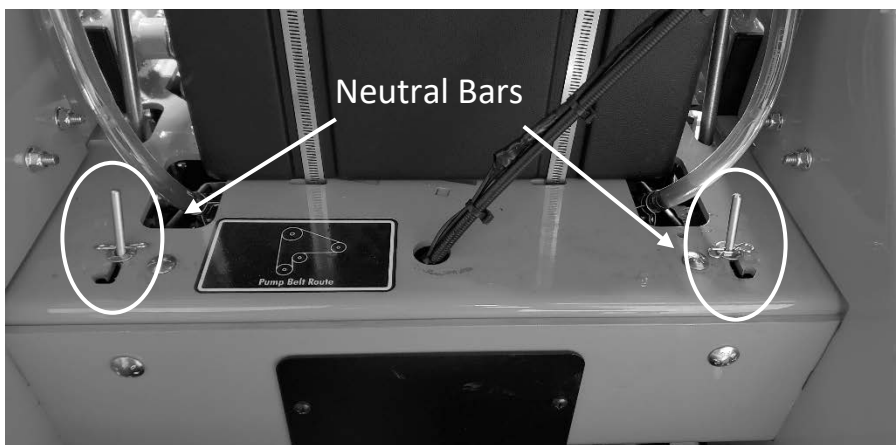
- 7.1 **Ignition Switch:** Bad Boy Mowers have a three-position ignition switch: off, run, and start. With key inserted, rotate it clockwise to START position and release key when engine starts, and switch will automatically return to the RUN position.
- 7.2 **Throttle Control:** A cable is connected to the engine throttle for controlling engine speed. Move lever forward to increase engine rpm, move lever backward to decrease engine rpm.
- 7.3 **Choke Control:** A cable is linked to manually operate the engine choke. When the lever is in the down position, the choke is in the off (run) position. When the lever is pulled up, the choke is in the on (start) position. Do not operate the machine in the on (start) position.
- 7.4 **Control Levers:** These levers control the mower's speed, direction, and neutral lock. These levers are used to steer, accelerate, decelerate and change direction. (Drive Arms)
- 7.5 **Blade Engage Switch:** This switch engages the blades. Pull the switch up to engage the blades and push the switch down to disengage the blades.
- 7.6 **Parking Brake:** To engage the parking brake pull the handle. To disengage push the lever forward into the "Off" position.
- 7.7 **Deck Lift Lever:** The deck height is controlled by the lever and set with a removable pin (as shown in the photograph). To raise the deck to its highest position, pull the lever to its rearward stop. The deck and lever will lock in this position. Choose the deck height by inserting the pin into the hole that corresponds to the desired cutting height. Standing on the operator's platform quickly pull back on the lever; this will disengage the locking mechanism and allow the lever to move forward until the chosen cut height is reached.
- 7.8 **Fuel Gauge:** The fuel gauge is located through a peep hole in the operator panel. From above, look down through the hole to monitor fuel level.
- 7.9 **USB Charging Port:** Your mower is equipped with a USB charging port for your accessory needs.





## SECTION 8: MOVING INOPERABLE MOWER

- 8.1 Do not tow machine. Use a winch to load on a trailer for transporting.
- 8.2 REVOLT Models are equipped with two neutral engage/disengage arms, located at the rear of the mower protruding from the frame between the fuel tank and the cover panel. By pulling the arms towards the rear of the machine, the mower can be put in a neutral position. Return the arms to the “forward position” for normal operation.



- 8.3 Your Bad Boy Mower Weighs **Revolt: 850-900 lbs**  
*\*\*\*Weights fluctuate with the addition of accessories.*

8.4 As you can see by the weights of the machines, you shouldn't ever try to push or pull a Bad Boy Mower by hand. This could cause serious bodily injury.

8.5 Hopefully, you'll never need to use this section of the manual. However, if you do, use extreme caution when moving machine!

## SECTION 9: INSTRUMENTATION

- 9.1 **Electronic Hour Meter:** Registers Hour increments up to 9,999.9 total hours. This meter records the cumulative time the engine is running.
- 9.2 **Engine Oil Light:** Alerts the user of a low oil level situation when lit.



## SECTION 10: MOWER BLADE MAINTENANCE

- 10.1 Check mower blades after each use. This is essential for maintaining well-groomed turf. Keep the blades sharp. If a dull blade is used for cutting, the grass will tear rather than cut. This could damage the grass leaving a brown frayed top on the grass within a few hours. A dull blade will also require more power from the engine.
- 10.2 NEVER attempt to straighten a bent blade by heating. NEVER attempt to weld a cracked blade. The blades can break and cause serious injury or death.
- 10.3 NEVER work with blades while engine is running or deck clutch is engaged.
- 10.4 ALWAYS place deck clutch in DISENGAGE position while performing maintenance.
- 10.5 Use blocks when you MUST work under mower.
- 10.6 ALWAYS wear thick gloves when handling blades.
- 10.7 ALWAYS check for blade damage if mower strikes rock, branch, or other objects that could potentially damage the blade.

***(REMEMBER: NEVER CHECK BLADE WHILE ENGINE IS ON!  
NEVER CHECK BLADES WHILE BLADES ARE ENGAGED!)***

## SECTION 11: EQUIPMENT LUBRICATION

- 11.1 Park the machine on a level surface and disengage the blade control switch.
- 11.2 Move the motion control levers outward to the neutral position, engage parking brake, stop the engine, remove the key, and wait for all moving parts to stop before leaving the operating position.
- 11.3 Grease Type: NLGI grade #2 multi-purpose gun grease.
- 11.4 Clean the grease fittings with a cloth. Scrape any paint off the front of the fitting(s).
- 11.5 Connect a grease gun to each fitting. Pump grease into the fitting until grease seepage is observed. Be mindful of over-pressurization. Do not force the lever arm if there is strong back pressure as this can lead to reduced life of the component(s). Wipe up excess grease.
- 11.6 Refer to service manual section for grease fitting locations.



# HOW TO CHOOSE THE RIGHT BLADE

Essentially there are only TWO basic styles of mowing blades used or approved for use on our current products:

1. The standard style of mowing blade is essentially designed for cutting grass and effectively discharging the clippings out from the deck to fall onto the lawn or to be captured in a grass collection system. Standard blades are also referred to as “2-in-1” (discharging & bagging) or “high-lift” blades (because they are designed to create a higher-lifting airflow).
2. Mulching blades generally have a more curved style surface and frequently include extra cutting surfaces along the blade edges. These blades may also come in a “+” design (which is actually two individual blades arranged in a perpendicular fashion to enhance mulching). The “+” blades are usually found on older style mowers; newer ones utilize blades with more advanced mulching technology. Mulching blades may also be referred to as “3-in-1” (mulching, discharging & bagging) or “all-purpose” blades.

Bear in mind that the re-circulating airflow design of 3/1 blades makes them less efficient at discharging grass clippings than a standard 2/1 blade. As with most all-purpose tools, there is some give and take as opposed to using a tool designed for a more specific purpose.

If you're experiencing less-than-desired cutting or discharging performance with a 3/1 blade, you may want to check into using a 2/1 blade. Conversely, if you're using a 2/1 blade and want to mulch clippings, you should see about the availability of mulching blades or a mulching kit. \*

The type of blade installed on a new mower is a decision the retailer makes for each model of mower, based on the expected needs of most customers. If you're unsure of which blade is on a particular model, inspect the blade. Blades have part numbers stamped into them. Then compare these part numbers with the unit's Operator's Manual or Parts List.

It is true there are many other styles of blades available. But since we don't manufacture or recommend using these other aftermarket styles, we will leave them out of this discussion. Should you want more information on special application or aftermarket blades, you should contact the companies that make these products. NOTE: Customers using non-OEM blades do so at their own risk. The use of unapproved (non-OEM) blades may void any or all of the mower and engine factory warranties.

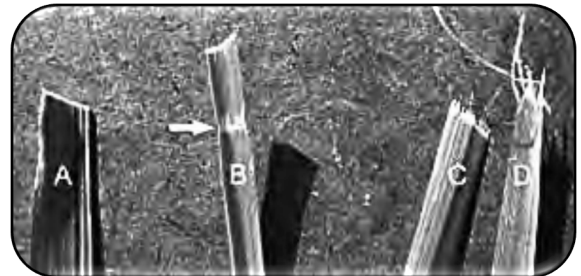
\* **MULCHING KITS** – These generally consist of mulching blades and a mulching plug (which closes off the discharge opening to keep the clippings contained under the deck for re-cutting) plus any necessary hardware for installation. Please check with your parts distributor regarding the contents of a particular mulching kit.





## MOWING TIPS:

- Mow header strips at the ends of the lawn and around flower beds first. Make them wide enough that you can turn the mower around in the already mown section. Then mow back and forth between these header strips overlapping each lap by about 1/8 the width of the mower's deck.
- Don't cut your grass too short, particular for cool season grasses. Higher heights usually provide for a deeper root system, looks better, and is less likely to have weeds invading, particularly crabgrass.
- Don't remove any more than one third of the grass leaf at any one cutting. If circumstances arise that a lawn gets too tall and you just have to lop off a bunch to get caught up, bite the bullet and break it down into several mowings to get caught up with 3 or so days between cuttings.
- NEVER SCALP YOUR LAWN.** Scalping severely damages the root system to such a degree that it may die.
- Avoid mowing when the grass is wet or when it's dark
- Avoid throwing grass clippings into the street and driveway where they can be washed into the sewer system. After mowing, clean up driveway and walkways.
- When mowing remove only a third with each cutting (except for the first mowing of the season when it's ok to remove more). You can safely leave clippings that will quickly decompose and add nutrients back into the soil. Contrary to popular opinion, grass clippings do not add to thatch buildup. Grass blades are made up of about 75% water.
- Mow your lawn in a different direction with each mowing, especially with lawns of shorter grass types. Altering the direction ensures a more even cut since grass blades will grow more erect and less likely to develop into a set pattern.
- Keep your mower's blade sharp, which means having it sharpened several times during the mowing season. Keep several blades around so you'll always have a sharp one on hand. Sharp blades cut the grass cleanly and help mulch clippings into small pieces which break down quickly.
- Don't forget to change your mower's oil at least once during the mowing season. For brand new mowers, change the oil after about 5 hours of operation during the initial break-in period.
- At the end of the mowing season use a fuel stabilizer in the remaining gasoline
- In the spring, don't use that old gas unless you properly used a fuel stabilizer, it can cause a number of problems. Better to use fresh gasoline to begin the new mowing season.
- Leaf blade A** demonstrates what a leaf blade should look like after mowing with a sharp blade.
- Leaf blade B** demonstrates a leaf blade that was injured by a dull mower blade.
- Leaf blade C** was cut by the mower but indicates that the mower blade is not sharp enough. The shredded white tissue protruding from the leaf blades C and D is the vascular tissue of the plant.
- Leaf blade D** has been mown for quite some time with a dull mower blade.



## TO BAG OR TO MULCH?

Grass clippings do not contribute to thatch buildup or increase the chances of disease. If you mow your lawn at the right height, without removing any more than 1/3 of its total height, clippings will quickly breakdown without a trace. These clippings contribute additional nitrogen and other nutrients to the soil and supply it with additional organic materials. Clippings from a 1000 sq. ft. lawn can add as much as 1 - 2 pounds of nitrogen back into the soil. If you have a compost pile, then you may want to bag your clippings occasionally to add much needed green-matter to the compost pile. Make sure it is mixed thoroughly with brown matter to avoid a strong ammonia odor. **DO NOT COMPOST CLIPPINGS** after applying any weed control or weed-feed type product. Before adding clippings to the compost pile wait at least 3 mowings after these products have been applied.

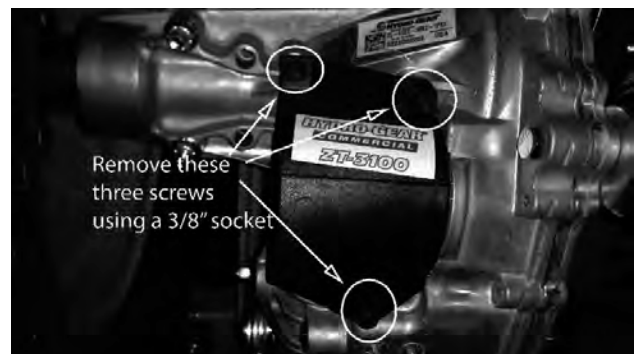
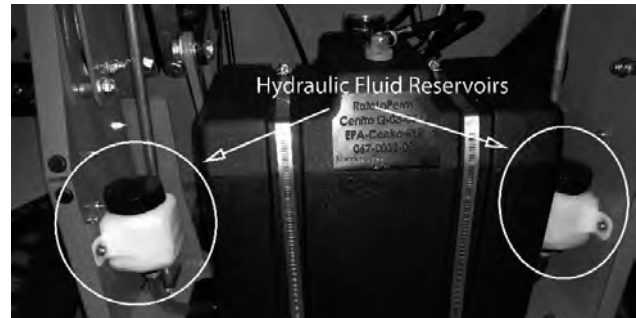
# SERVICE SECTION

## SECTION 1: HYDROSTATIC SYSTEM

The hydraulic fluid reservoirs are accessed by raising the operator pad. Notice the “full cold” line at the bottom of the tank. Use only 20W-50 motor oil in this tank. (Bad Boy Hydrostatic oil is recommended)

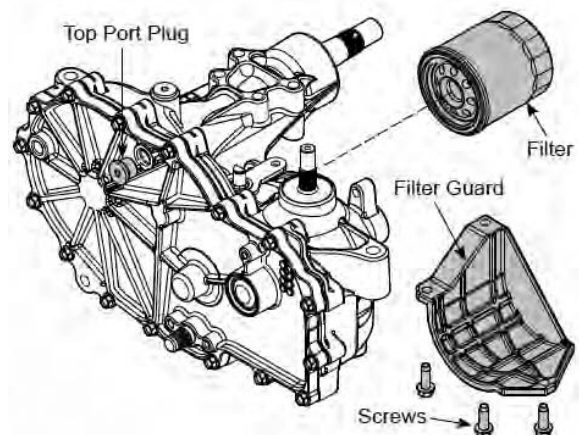
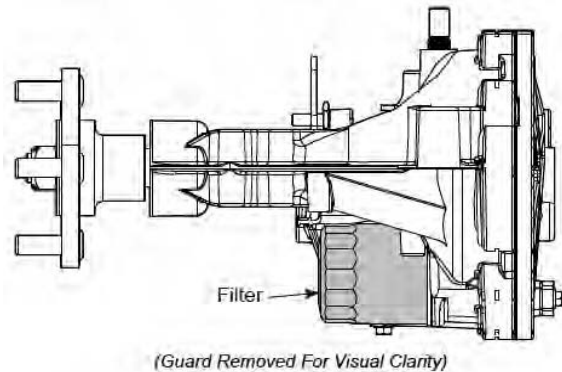
### CHANGING YOUR HYDRAULIC OIL AND FILTER

1. Remove the caps from the hydraulic fluid reservoirs and get an oil drain pan. Lifting the mower from the rear will make access to the transaxles easier and allow you to purge the air from the transaxles.
2. Remove the three 1/4" filter guard screws and filter guard from the ZT-3200 Transaxle or the ZT-3400 Transaxle. Clean any loose debris from around the perimeter of the filter.
3. Place the oil drain pan under the oil filter as the oil filter serves as the drain for the transaxle.
4. After the oil has drained, wipe the filter base surface off and apply a film of new oil to the gasket of the new replacement filter.
5. Install the new filter by hand, turn 3/4 to one full turn after the filter gasket contacts the filter base surface.
6. Re-install the filter guard with three 1/4" screws. Torque screws to 65 in. lbs. (7.3 Nm) each.
7. Repeat steps 1-6 on the opposite side transaxle drive.
8. Drain old oil filters of all free-flowing oil prior to disposal. Place used oil in appropriate containers and deliver to an approved recycling collection facility.
9. Remove the top port plug from the left side and right-side transaxles prior to filling with oil. This will allow the transaxles to vent during oil fill and prevent any air lock within the transaxles.



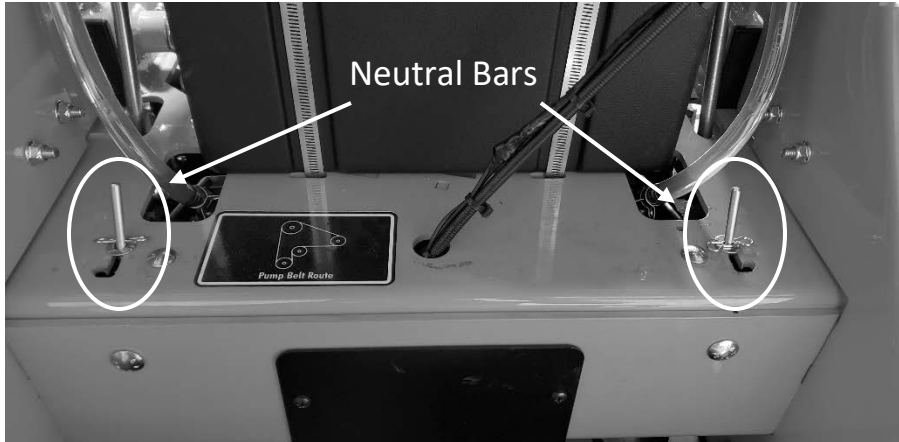
## CHANGING YOUR HYDRAULIC OIL AND FILTER (CONTINUED)

10. Fill with 20W-50 motor oil (Bad Boy Hydrostatic oil is recommended) through the hydraulic fluid reservoirs until it just appears at the bottom of each transaxle's top port (approximately 2 quarts per transaxle, 4 quarts total). Install the top port plug into each transaxle as the oil level reaches this port.
11. Install and torque the top port plugs to 180 in. lbs. (20.3 Nm).
12. Continue to fill the transaxle through the hydraulic fluid reservoirs until the "Full Cold" line is reached on the hydraulic fluid reservoirs.
13. Re-install the caps on the hydraulic fluid reservoirs.
14. Now we need to purge the air from the transaxle. With your mowers tires off the ground disengage the brake and start the engine.
15. Pull the neutral bypass levers which are located on each side of the muffler. Then slowly move the drive arms in the forward and reverse direction 5 to 6 times.
16. Push the neutral bypass levers back into place. Move the drive arms forward and backward 5 to 6 times slowly. Check the oil level and add oil as required after stopping the engine.
17. It may be necessary to repeat steps 15 and 16 until all the air is completely purged from the system. When the transaxle operates at normal noise levels and moves smoothly forward and reverse at normal speeds, then the transaxle is considered purged.

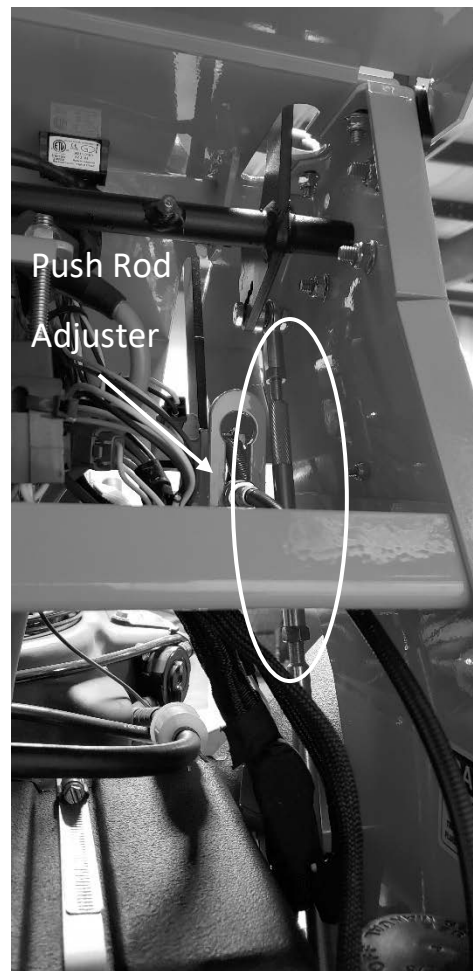




Under the rear of the mower, you will find the two levers shown in the image. These bypass levers serve as a neutral for moving the mower while the engine is not running. Pull the levers back and lock them into place to activate the bypass.

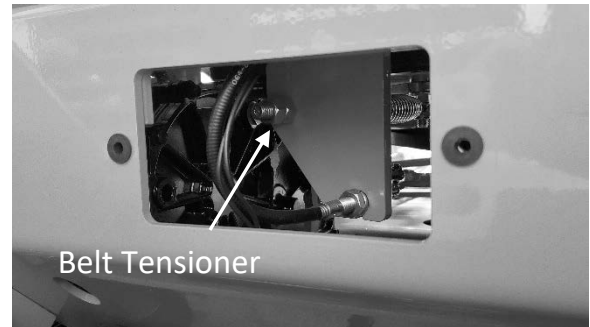


When adjusting the tracking on the mower, the length of the pushrods can be changed by screwing the push rod adjuster. Shortening the overall length of the rod slows the pump down. Lengthening the rod will increase the speed of the pump.



## SECTION 2: DRIVE BELT

Shown on the right is a typical pump belt tensioner for your model mower. Pump belt tension is adjusted via the all-thread shown here. The two jam nuts on the all-thread allow the tension to be increased or decreased and locked back into position. Use a 3/4" wrench and a deep socket in order to loosen the two nuts. Tighten the outside nut if more belt tension is desired and loosen the outside nut if less belt tension is desired.



The pump belt tension should be set between 60-65 lbs. This should be measured with a belt tension gauge. Your dealer or service center will have a belt tension gauge or you can buy one (Part Number 041-9999-00).





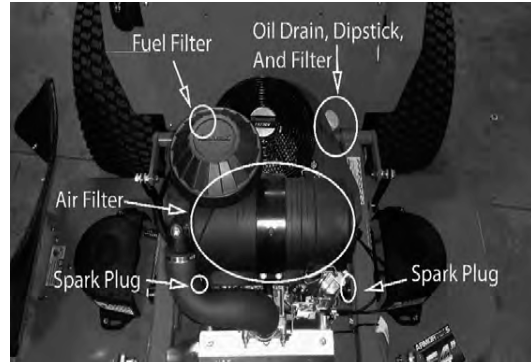
## SECTION 3: ENGINE

### KAWASAKI FX730V

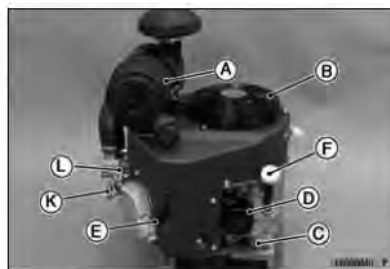
This machine has an oil drain hose installed on the engine to allow for easier oil changes. Bad Boy recommends that the oil and filter be changed after the initial 8 hrs. of use, and at intervals of 50 usage hours or yearly, whichever occurs first after that. The oil capacity is 2 quarts. Bad Boy 10W-30 synthetic blend engine oil is recommended for maximum protection.

### CHANGING YOUR ENGINE OIL AND OIL FILTER

1. Remove oil dipstick and open oil drain using A 10 mm socket or a flat head screwdriver until oil begins flowing. Allow oil to completely drain. (Make sure to have an oil pan ready to capture old oil and properly dispose old oil.)
2. The oil filter is located on the right side of the engine. Clean area around oil filter. Place a container under the oil filter to capture any oil and remove filter. Wipe off mounting surface and reinstall drain plug. Torque to 10 ft.\*lb.
3. Place new filter in shallow pan with open end up. Fill with new oil until oil reaches the bottom of the threads. Allow 2 minutes for oil to be absorbed by filter material.
4. Apply a thin film of clean oil to rubber gasket on new filter
5. Refer to instructions on oil filter for proper installation.
6. Fill crankcase with approximately 2 quarts of new oil. Level should top of indicator on dipstick.
7. Reinstall oil fill/dipstick and tighten securely.
8. Start engine; check for oil leaks. Stop Engine; correct oil leaks. Recheck oil level
9. Dispose of used oil and filter in accordance with local ordinances.



### Parts Location



- A. Air Cleaner
- B. Air Inlet Guard
- C. Oil Drain Plug
- D. Oil Filter
- E. Spark Plugs/Spark Plug Caps
- F. Oil Gauge
- K. Control Panel
- L. Carburetor



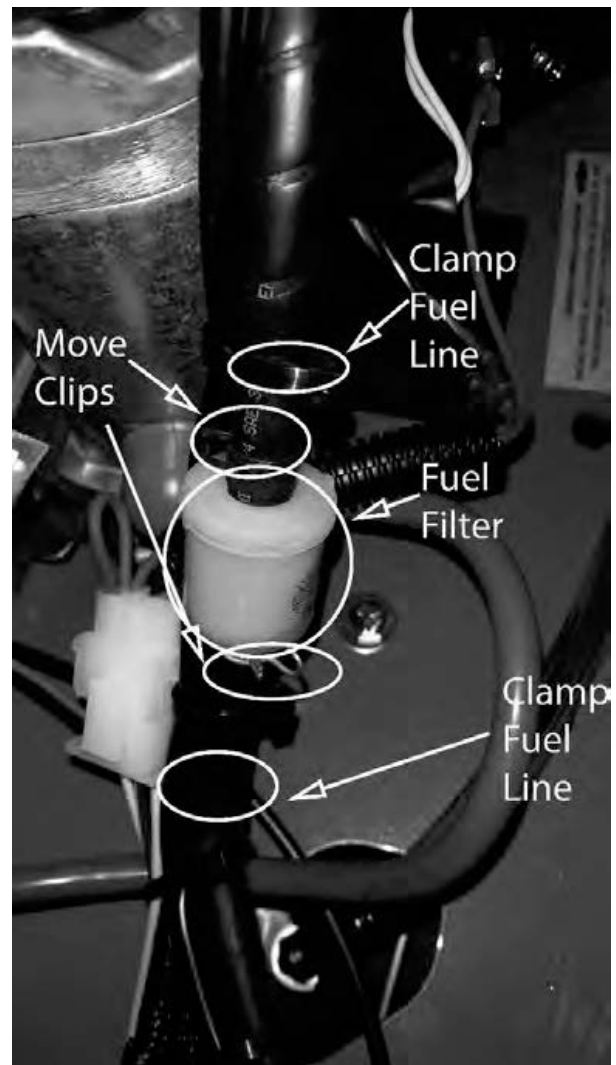
- G. Fuel Pump
- H. Fuel Filter
- I. Electric Starter
- J. Voltage Regulator

## **KAWASAKI (CONTINUED)**

The fuel filter is located in the fuel line on the left side of the engine by the starter motor. Replace the filter yearly. Prior to the removal of the old filter, note the direction of fuel flow as indicated on the filter. Have towels readily available in order to quickly remove any fuel leakage. Always use new hose clamps and ensure the security of the new filter by lightly pulling on each hose. Always perform maintenance outdoors or in a well-ventilated area. Do not smoke or allow any open flames in the vicinity of any maintenance activities.

### **CHANGING YOUR FUEL FILTER**

1. Locate your fuel filter and mark the direction it is facing.
2. Clamp each side of the fuel filter to minimize any gas spills.
3. Remove the clips from each side of the fuel filter and remove the fuel filter.
4. Place the new fuel filter in the same direction as the old and move clips back into place.
5. Remove clamps.



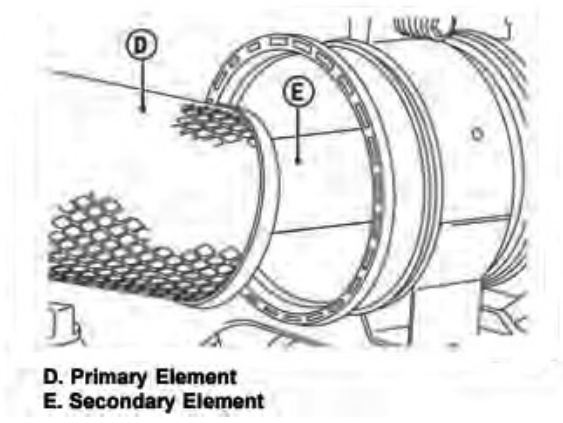
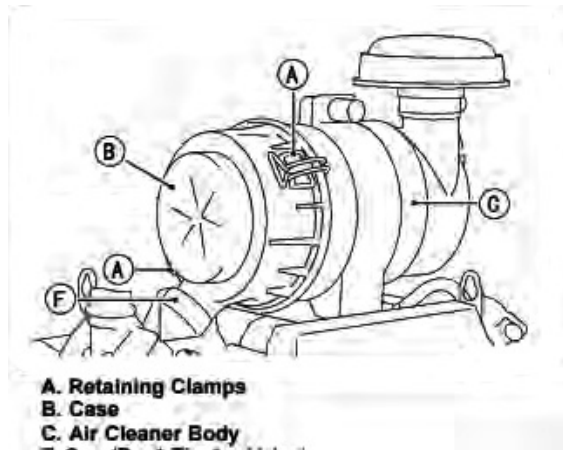
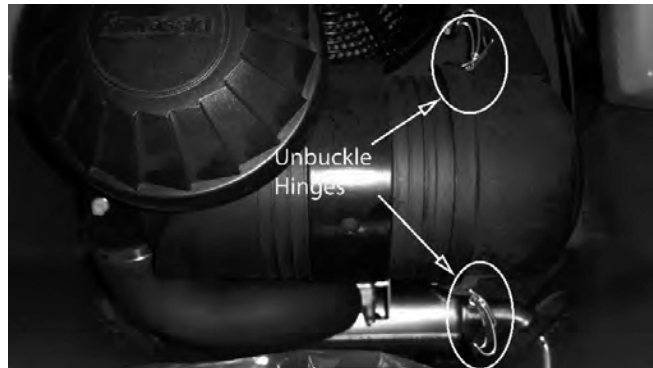
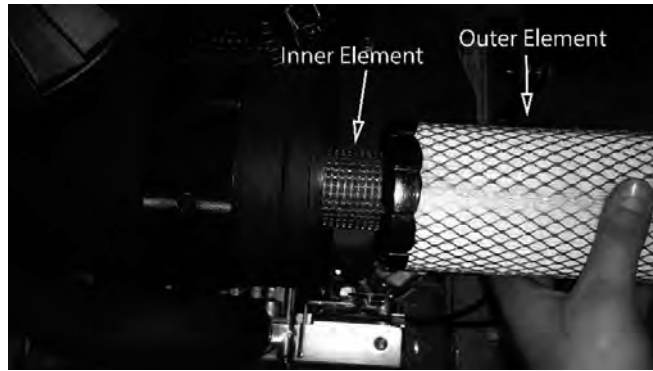
## KAWASAKI (CONTINUED)

The air cleaner is the engine's only defense against damaging foreign particles. It is very important that the air cleaner element is inspected prior to each use.

Remove the element and tap its sides in order to remove debris. Do not blow the filter out using compressed air. Doing so will greatly reduce the air cleaner's effectiveness. Replace yearly; more often in dusty environments. Adhering to these practices will help prevent loss of power and premature engine failure.

### CHANGING THE AIR CLEANER

1. Locate the air filter and unbuckle the air filter cover.
2. Remove the cover and take out the outer white element and the inner blue element.
3. Clean or replace elements.
4. Reattach the cover making sure the air intake is facing down.





## KAWASAKI (CONTINUED)

### CHANGING THE SPARK PLUGS AND CHECKING THE SPARK PLUG GAP

1. Remove the wire on the spark plug and use a 13/16" socket to remove the spark plug.



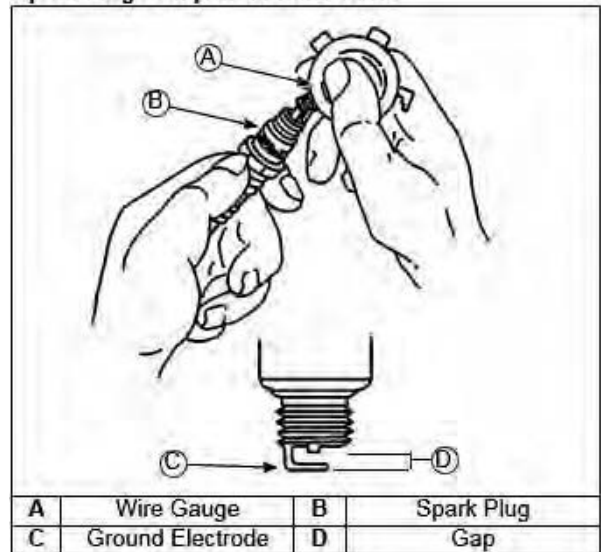
2. Check the gap on the spark plug to verify that it is 0.03" by using a feeler gauge.



3. If the spark plug is worn, overheated, wet, or carbon fouled replace the spark plug.

4. Install the plug into cylinder head and torque to 16 ft.\*lbs. Be careful not to overtighten the spark plug.

Spark Plug Component and Details





BAD BOY MOWERS

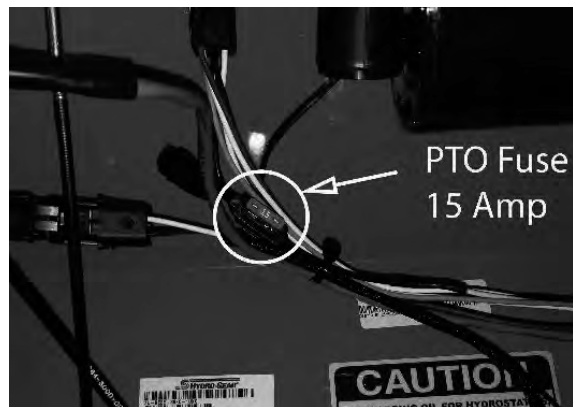
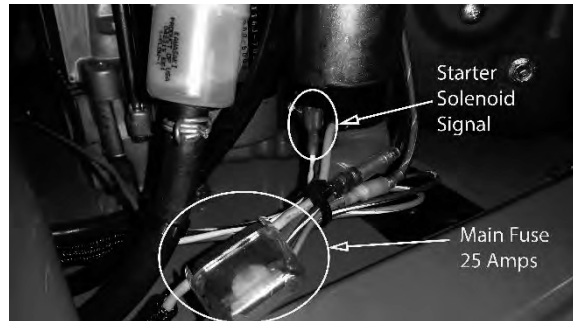
## SECTION 4: ELECTRICAL SYSTEM

This mower is equipped with two protective fuses: a 25-amp main fuse (pictured to the right) and a 15-amp clutch fuse (blade engagement). The main fuse is located on the right side of the unit; towards the rear of the engine. The clutch fuse is located just underneath the operator's console. A blown fuse usually indicates a problem within the electrical system or an electrical component. Never replace a fuse with one of a higher amperage rating or 'bypass' a fuse in any way. Doing so creates a significant fire hazard and can cause severe damage to the mower's electrical components. If either fuse is repeatedly blowing, contact your Bad Boy dealer.

Always check the condition of the wiring harness ground cable. Ensure that the ground is connected, clean, and tight.

Check the condition and connection of the relays located between the cover plate and battery. Ensure that they are clean and connected. Make sure that wire terminal ends have not been pushed out of the relay block.

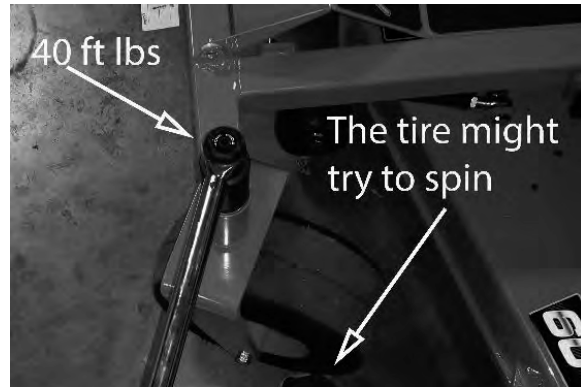
The red wire coming out of the engine is the charging wire from the alternator. Check for 13.6—14.2volts DC at this wire with the engine at full throttle.





## SECTION 5: FRAME

The front fork nuts require a torque of 40ft-lbs. While applying this torque, turn the fork itself to ensure no damage is done to the bearing. This operation is only necessary if a repair requires it.



Torque rear wheel lugs to 65-75 ft. lbs. Re-torque at every oil change and check at every mowing.

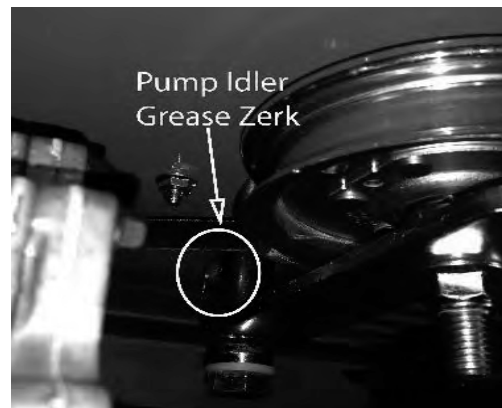


The steering bar has two grease zerks and should be greased at every oil change. The deck hangers have 4 grease zerks and should be greased at every oil change.

The pump belt tensioner is located under the engine and has a grease fitting at its pivot point. Grease at every engine oil change.



The deck belt tensioner is located at the rear of the deck and has a grease fitting on its pivot point. Grease at every engine oil change.



## SECTION 6: CUTTING DECK

### DECK BELT REMOVAL

1. Remove ignition key.
2. Raise the deck to its highest position.
3. Remove the right pulley cover.
4. While lifting up on the belt (as shown in the photograph), rotate the pulley until the belt is free of the pulley. Exercise caution while performing this step as fingers can easily become caught between the belt and pulley.



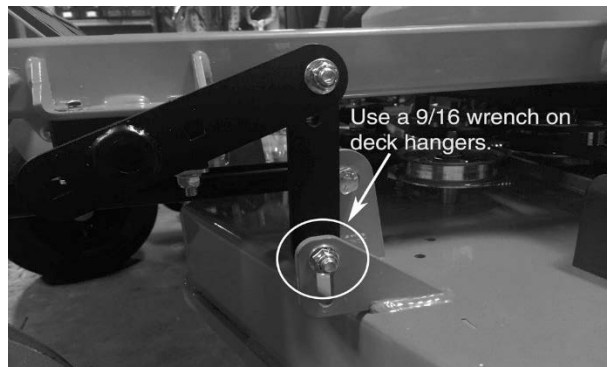
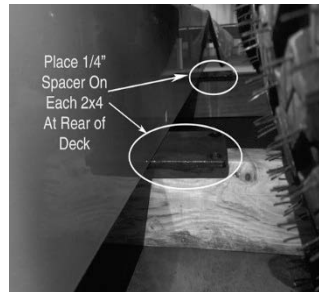
### DECK BELT INSTALLATION

1. Remove ignition key.
2. Raise the deck to its highest position.
3. Take off both pulley covers and route the belt by following the belt route decal. (The easiest way to finish running the belt is routing the belt through the deck pulleys leaving it off the left deck pulley. Slip it onto the clutch then carefully slip it onto the left deck pulley.)
4. Verify that the belt is routed properly as improper routing can damage the spindles as well as the engine.



## LEVELING THE DECK

1. Start on a flat, level surface and set the air pressure in all four tires to 12 psi. Measure the deck at all four corners. The deck should be level from left to right but 1/4" lower in the front than in the rear. adjustments can be made by adjusting the deck hangers in their slots.
2. Using a pair of approximately 3 ft. long 2x4's, stand the boards on edge and slide them under the deck from front to back as shown.
3. Lower the deck down onto the 2x4's using the deck lift lever. The deck should now be approximately 3.5" off the ground. to achieve the proper 1/4" pitch down in the front it may be necessary to use some 1/4" spacers under the rear of the deck as shown.
4. Using a pair of 9/16" wrenches, loosen all deck hanger bolts on the top of the deck. These are the lower bolts in the slots of the deck as shown. Do not loosen the upper bolts that attach the deck hangers to the actuator lift bars.
5. The deck is now loose from the frame and movement of the deck lift lever should only move the hanger bolts up and down in the deck slots. At this point a different deck height may be chosen on the deck height plate. Choosing a lower number will raise the decks cutting height. Choosing a higher number will decrease the decks overall cutting height. Remember, you should be approximately in the 3.5" range on your selection.
6. After setting the deck height plate to the desired position and securing the deck lift arm against the pin, tighten all deck hanger bolts in their slots starting from the rear of the deck then moving to the front. Lift the deck to the highest position. measure all four corners of the deck again to ensure that no further adjustments are necessary.
7. Recheck belt tension before mowing.



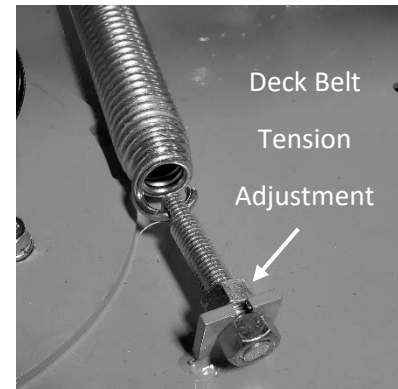
## ADJUST DECK BELT TENSION

The deck spring tension is critical. If the tension is too high, premature failure of the deck belt and blade spindles can occur. If the tension is too low, the belt can "jump off" or slip on the pulleys. This results in reduced cut quality and early belt failure.

Spring tension adjustments can be made by sliding the bolt shown above forward or backward in the slot of the deck. Belt tension should be 60-65 lbs. with the deck at its lowest setting.

Use a belt tension gauge to ensure the proper tension. Your dealer or service center will have a belt tension

gauge or you can buy one (Part Number 041-9999-00).



## BLADE SHARPENING

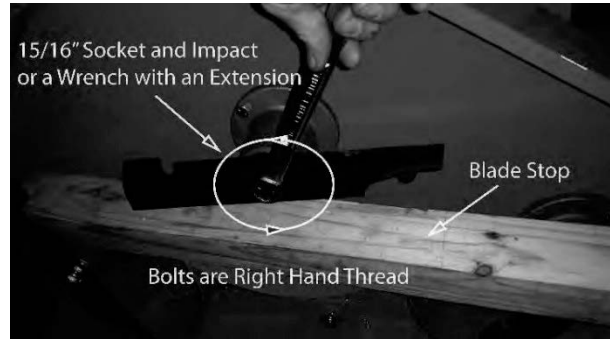
The blade on the top (see photo) was utilized long after replacement was required. In addition to a decline in cut quality, failure to replace a worn or damaged blade creates a major safety hazard. Bad Boy recommends that blade sharpening be performed by a professional.





## BLADE REMOVAL

To change blades, it may be easier to use a piece of wood to keep the blade from turning so that the bolt can be loosened. Use a 15/16" socket and impact drill, or a wrench and an extension to gain more leverage. You might need to put a 3/4" wrench on top of the pulley bolt to keep the blade from spinning. Bolts used have right-handed threads.



Re-torque the blade bolts to 90-110 lbs.

The blade spindles contain a sealed ball bearing inside the top and bottom of the spindle. The bearings are replaceable for a more cost-effective repair.





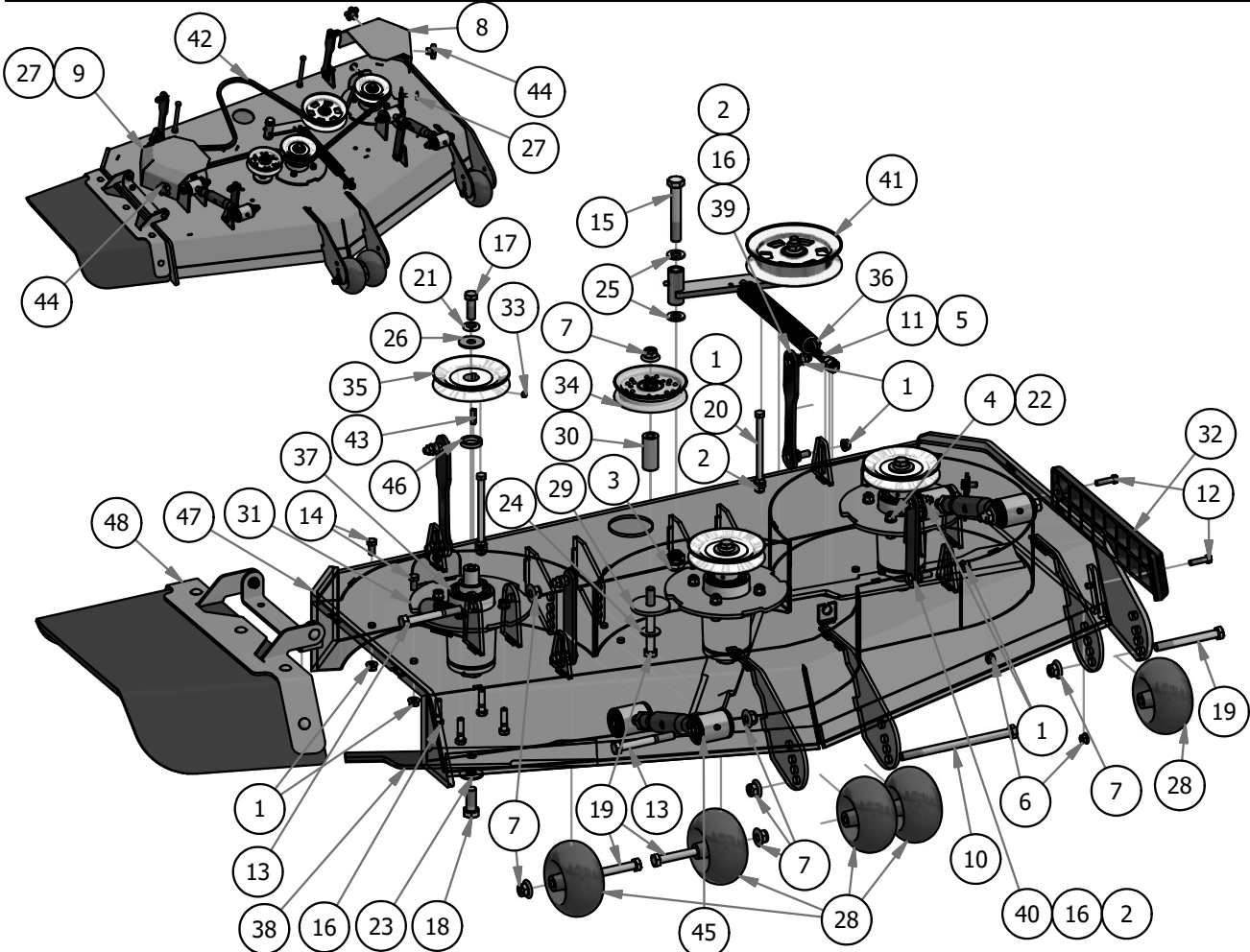




BAD BOY MOWERS

# PARTS SECTION: 48" DECK ASSEMBLY

Parts List				Parts List			
ITEM	QTY	PART NUMBER	DESCRIPTION	ITEM	QTY	PART NUMBER	DESCRIPTION
1	12	013-5201-00	3/8" Flange Nut	25	2	019-6017-00	.630 ID Plastic Washer
2	10	013-5202-00	3/8" Nylock Flange Nut	26	3	019-6020-00	1/2" Belleville Washer
3	1	013-5301-00	5/8-11 Nylon Insert Jam Half Nut	27	4	019-6050-00	.360 ID Plastic Washer-Black
4	12	013-6014-00	3/8" Hex Nut	28	5	022-1001-00	2019 Deck Wheel
5	2	013-7018-00	1/2" Hex Nut	29	1	025-0025-00	MZ Deck Idler Spacer
6	2	013-8049-00	5/16" Nylon Flange Nut	30	1	025-0032-00	Stand On Stationary Idler Spacer
7	9	013-8050-00	1/2-13 Nylon Flange Nut	31	3	026-0025-00	Deck Spindle Support Plate
8	1	014-4813-00	2019 Stand On 48" Pulley Cover Trim	32	1	029-7036-00	REVISED TRIM BUMPER_20180226
9	1	014-4814-00	2019 Stand On 48" Pulley Cover Discharge	33	3	030-0050-00	5/16 Set Screw
10	1	018-0046-00	1/2-13 x 8 Hex Bolt Grade 5	34	1	033-6001-00	4 3/4 Idler Pulley - ABFI-76
11	1	018-2004-50	All Thread-Pump Idler Tensioner	35	3	033-6003-00	5" Spindle Deck Pulley
12	2	018-2006-00	5/16 x 1 1/4 Hex Bolt	36	1	034-2030-00	2019 Outlaw Gen2 Deck Spring
13	4	018-5019-00	1/2" x 4" Bolt (Grade 8)	37	3	037-6015-50	Spindle Assembly
14	2	018-5250-00	3/8" x 3/4" Hex Bolt	38	3	038-5350-00	16 1/4" Bad Boy Blade
15	1	018-5311-00	5/8" x 4" Hex Bolt	39	2	039-2128-00	2019 Stand-On Rear Deck Hanger
16	20	018-6012-00	3/8" x 1 1/2" Hex Bolt	40	2	039-2129-00	2019 Stand on deck hanger_front
17	3	018-6019-00	1/2"-20 x 1 1/2 - Grade 5 Fine Thread Bolt	41	1	039-6945-19	2019 Revolt Deck Idler Assembly
18	3	018-6020-00	5/8 x 1 1/2 Grade 8 Hex Bolt (Fine)	42	1	041-5200-00	B111 Belt
19	4	018-7050-00	1/2" x 4 1/2" Bolt	43	3	042-6030-00	1/4" x 1" Key
20	2	018-7060-00	3/8-16 x 5 1/2 Hex Bolt	44	4	045-6043-00	5/16" Knob
21	3	019-5007-00	1/2" Lock Washer Zinc	45	2	048-7000-00	Turnbuckle
22	12	019-5037-00	3/8" Lock Washer	46	3	058-1000-00	Spacer, 1x1.375x.25
23	3	019-5038-00	5/8" Flat Washer	47	1	060-1148-19	2019 48 Stand On Deck Weldment
24	1	019-5702-00	1/2" Washer (Grade 8)	48	1	210-7000-98	2019 Outlaw Gen2 Chute Assembly

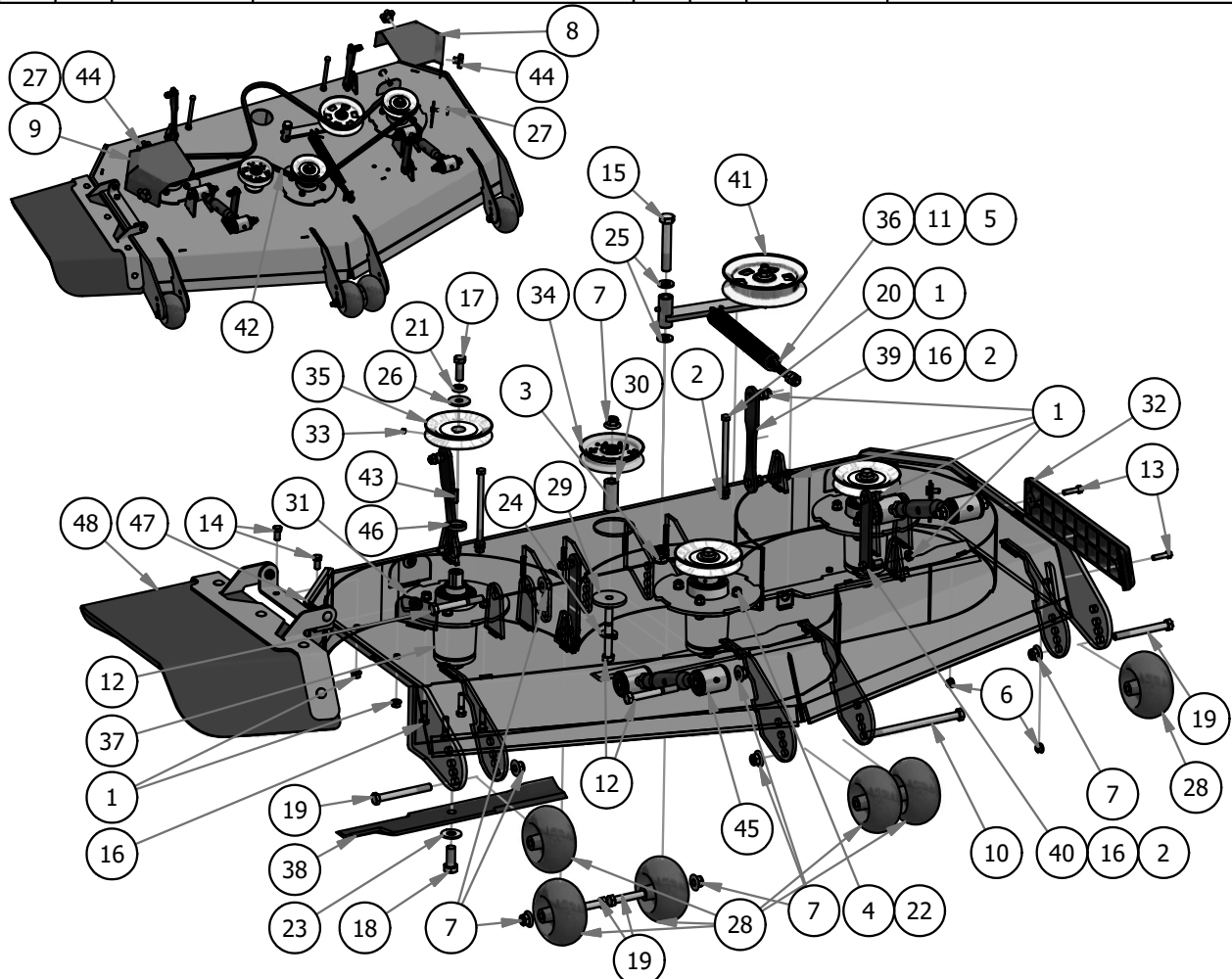




BAD BOY MOWERS

# PARTS SECTION: 54" DECK ASSEMBLY

Parts List				Parts List			
ITEM	QTY	PART NUMBER	DESCRIPTION	ITEM	QTY	PART NUMBER	DESCRIPTION
1	12	013-5201-00	3/8" Flange Nut	25	2	019-6017-00	.630 ID Plastic Washer
2	10	013-5202-00	3/8" Nylock Flange Nut	26	3	019-6020-00	1/2" Belleville Washer
3	1	013-5301-00	5/8-11 Nylon Insert Jam Half Nut	28	6	022-1001-00	2019 Deck Wheel
4	12	013-6014-00	3/8" Hex Nut	29	1	025-0025-00	MZ Deck Idler Spacer
5	2	013-7018-00	1/2" Hex Nut	30	1	025-0032-00	Stand On Stationary Idler Spacer
6	2	013-8049-00	5/16" Nylon Flange Nut	31	3	026-0025-00	Deck Spindle Support Plate
7	10	013-8050-00	1/2-13 Nylon Flange Nut	32	1	029-7036-00	REVISED TRIM BUMPER_20180226
8	1	014-4811-00	2019 Stand On 54" Pulley Cover Trim	33	3	030-0050-00	5/16 Set Screw
9	1	014-4812-00	2019 Stand On 54" Pulley Cover Discharge	34	1	033-6001-00	4 3/4 Idler Pulley - ABFI-76
10	1	018-0046-00	1/2-13 x 8 Hex Bolt Grade 5	35	3	033-6003-00	5" Spindle Deck Pulley
11	1	018-2004-50	All Thread-Pump Idler Tensioner	36	1	034-2030-00	2019 Outlaw Gen2 Deck Spring
12	5	018-5019-00	1/2" x 4" Bolt (Grade 8)	37	3	037-6015-50	Spindle Assembly
13	2	018-5025-00	5/16" x 1 1/4" Hex Bolt	38	3	038-0001-00	54" Deck Fusion Blade For Outlaw
14	2	018-5250-00	3/8" x 3/4" Hex Bolt	39	2	039-2128-00	2019 Stand-On Rear Deck Hanger
15	1	018-5311-00	5/8" x 4" Hex Bolt	40	2	039-2129-00	2019 Stand on deck hanger_front
16	20	018-6012-00	3/8" x 1 1/2" Hex Bolt	41	1	039-6945-19	2019 Revolt Deck Idler Assembly
17	3	018-6019-00	1/2"-20 x 1 1/2" - Grade 5 Fine Thread Bolt	42	1	041-0120-00	42 inch Deck Belt- B120
18	3	018-6020-00	5/8 x 1 1/2 Grade 8 Hex Bolt (Fine)	43	3	042-6030-00	1/4" x 1" Key
19	4	018-7050-00	1/2" x 4 1/2" Bolt	44	4	045-6043-00	5/16" Knob
20	2	018-7060-00	3/8-16 x 5 1/2 Hex Bolt	45	2	048-7000-00	Turnbuckle
21	3	019-5007-00	1/2" Lock Washer Zinc	46	3	058-1000-00	Spacer, 1x1.375x.25
22	12	019-5037-00	3/8" Lock Washer	47	1	060-1154-19	2019 Stand On 54" Sloped Deck Welded Assembly
23	3	019-5038-00	5/8" Flat Washer	48	1	210-7000-98	2019 Outlaw Gen2 Chute Assembly
24	1	019-5702-00	1/2" Washer (Grade 8)	27	4	019-6050-00	.360 ID Plastic Washer-Black

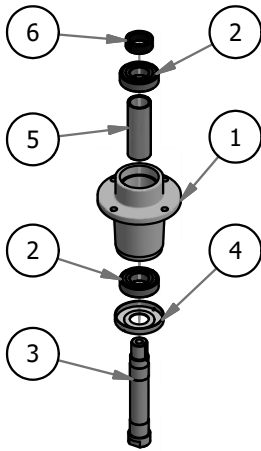




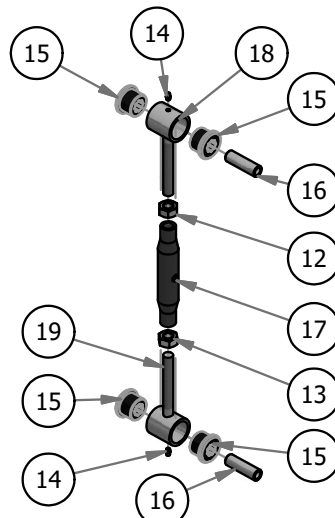
BAD BOY MOWERS

# PARTS SECTION: DECK SUB-ASSEMBLIES

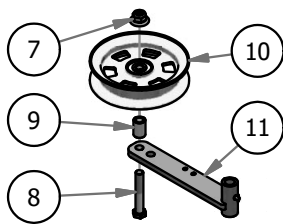
037-6015-50 Parts List				048-7000-00 Parts List			
ITEM	QTY	PART NUMBER	DESCRIPTION	ITEM	QTY	PART NUMBER	DESCRIPTION
1	1	037-6017-50	Aluminum Spindle Housing -2010	12	1	013-0007-00	Hex Nut, 11/16-12
2	2	037-6023-00	Spindle Bearing, 2004 and up	13	1	013-0008-00	Hex Nut, 11/16-12 Left Handed
3	1	037-6026-00	Short Spindle Shaft w/Locking	14	2	024-6034-00	1/4" Press in Grease Fitting
4	1	037-8002-00	Dust Cover	15	4	032-2000-00	Bushing
5	1	037-8050-00	Tube Spacer for Spindle Shaft	16	2	032-2001-00	Sleeve
6	1	037-9050-00	Collar Spacer - Top of Spindle	17	1	048-7020-00	2015 Outlaw Turnbuckle Body
039-6945-19 Parts List				210-7000-98 Parts List			
ITEM	QTY	PART NUMBER	DESCRIPTION	ITEM	QTY	PART NUMBER	DESCRIPTION
7	1	013-8050-00	1/2-13 Nylon Flange Nut	20	1	039-4894-00	2019 Lower Chute Bracket
8	1	018-7016-00	1/2-13 x GR 5 Hex Bolt Zinc	21	1	210-6025-00	2019 Belted Chute with Logo
9	1	025-5337-00	.502 x .750 x 1.25 Length Spacer	22	1	039-4893-00	2019 Upper Chute Bracket
10	1	033-8050-00	5" Idler Pulley	23	7	013-8049-00	5/16" Nylon Flange Nut
11	1	039-6945-00	Deck Idler	24	5	018-4703-00	5/16" x 1 1/4" Carriage Bolt
				25	2	018-8066-00	5/16" x 7/8" Carriage Bolt
				26	2	019-6042-00	.360 ID Plastic Washer
				27	1	206-6018-00	2019 Chute Hanger



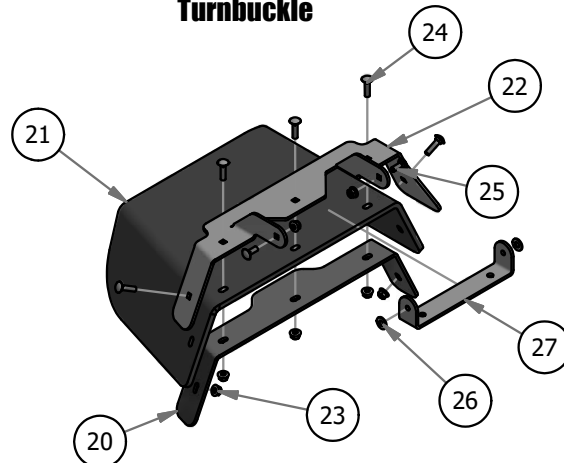
**037-6015-50**  
**Spindle- Aluminum -2012 ZT**



**048-7000-00**  
**Turnbuckle**



**039-6945-19**  
**2019 Revolt Deck Idler Assembly**



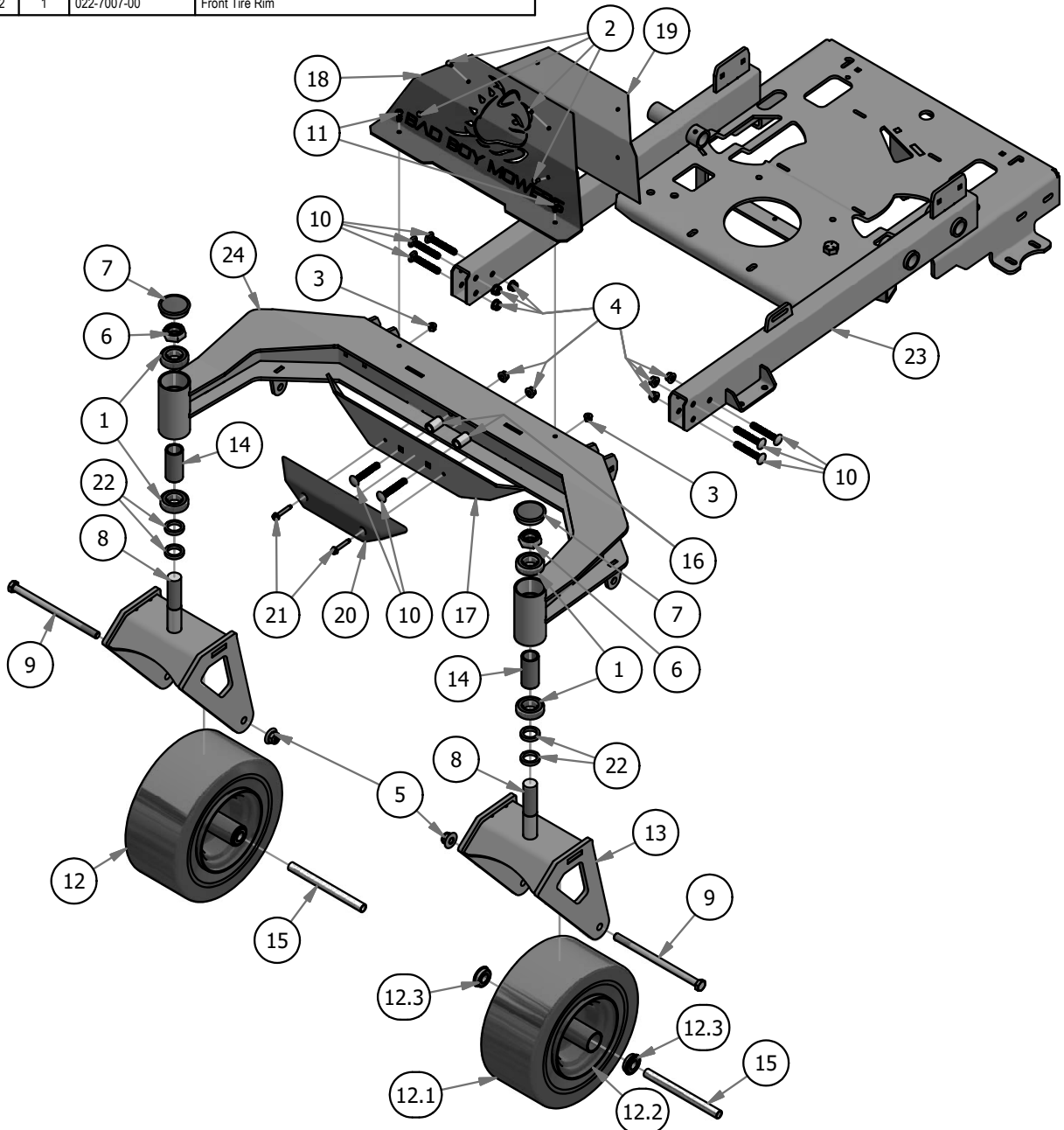
**210-7000-98**  
**2019 Outlaw Gen2 Chute Assembly**



BAD BOY MOWERS

# PARTS SECTION: FRONT END

Parts List				Parts List			
ITEM	QTY	PART NUMBER	DESCRIPTION	ITEM	QTY	PART NUMBER	DESCRIPTION
1	4	010-1050-00	Caster Bearing 2016 - 1641 Bearing	12.3	2	022-7009-00	BEARING WITH RETAINER
2	4	013-0026-00	3/16 Rivet for .126-.25 THK	13	2	023-1010-00	2019 Stand-on Front Fork Weldment
3	2	013-2050-00	1/4-20 Nylon Insert flange Nut	14	2	025-0003-00	2016 Front Bearing Spacer
4	8	013-5202-00	3/8" Nylock Flange Nut	15	2	025-5202-00	Front Wheel Spanner
5	2	013-8050-00	1/2-13 Nylon Flange Nut	16	2	025-5337-00	SPACER
6	2	013-9004-00	1" Fine Thread 1/2 Nylock Nut	17	1	026-0049-00	2019 Stand On Front Bumper Plate
7	2	014-2025-00	2017 Bearing Cover	18	1	026-0084-00	2019 Stand On Exhaust Shield
8	2	018-0005-00	1-14 x 5 Hex Bolt Grade 8 Zinc Yellow	19	1	026-0085-00	2019 Stand On Exhaust Backer Plate
9	2	018-0040-00	1/2" x 8 1/2 GR 5 Hex Bolt	20	1	029-7040-00	Bumper EZT
10	8	018-0044-00	3/8" x 2 1/2" Carriage Bolt	21	2	030-7039-00	1/4" x 1 1/2" Self Tapping Screw
11	2	018-0058-00	1/4"-20 Thread, 3/4" Long	22	4	058-1000-00	Spacer, 1x1.375x.25
12	2	022-2017-00	Tire and Wheel Assembly	23	1	070-5220-19	2019 Stand On Frame Weldment
12.1	1	022-5347-00	13 x 6.50 - 6 Tire	24	1	070-9048-19	2019 Stand-On 48 Front End Weldment
12.2	1	022-7007-00	Front Tire Rim				

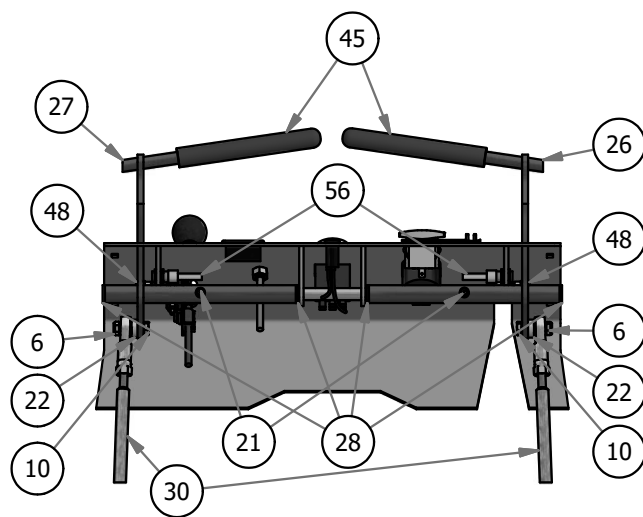
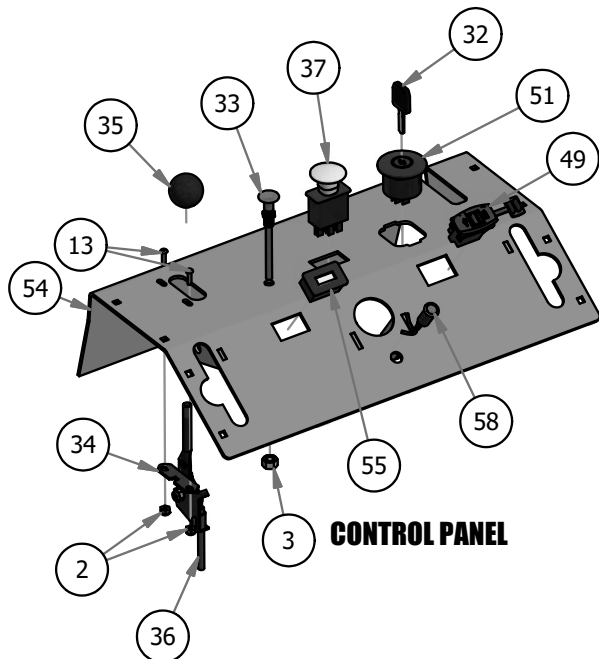




BAD BOY MOWERS

# PARTS SECTION: PODIUM ASSEMBLY

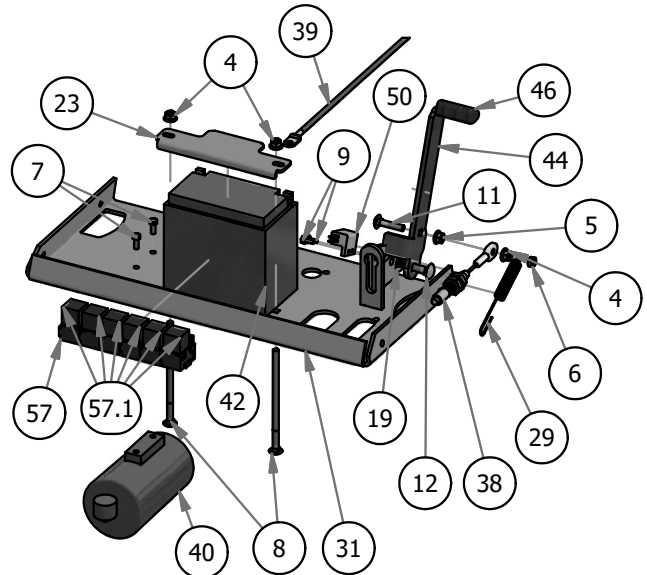
Parts List				Parts List			
ITEM	QTY	PART NUMBER	DESCRIPTION	ITEM	QTY	PART NUMBER	DESCRIPTION
1	12	013-2050-00	1/4-20 Nylon Insert flange Nut	31	1	039-0087-00	2019 Stand On Console Bracket Weldment
2	2	013-5019-00	10-24 Nylon Insert Locknut Zinc Orange Nylon	32	1	042-9000-00	Ignition Key
3	1	013-6051-00	3/8" Fine Threaded Jam Nut	33	1	054-8017-00	Choke
4	9	013-8049-00	5/16" Nylon Flange Nut	34	1	055-2012-00	Universal Throttle
5	1	013-9002-00	5/16" Flange Nut	35	1	055-2013-00	Throttle Knob
6	6	013-9005-00	5/16-18 Nylock Jam Nut 1/2 Nut	36	1	055-8021-75	Outlaw Throttle Cable
7	2	018-0024-00	M6-1.0 X 16MM Hex Bolt	37	1	056-8058-00	PTO Switch
8	2	018-0056-00	5/16" x 6" Carriage Bolt	38	1	064-3000-00	Brake Cable
9	2	018-1080-00	12-24x 1/2 HWH Bolt	39	1	064-8060-00	36" Red Battery Cable
10	2	018-2006-00	5/16 x 1 1/4 Hex Bolt	40	1	067-0020-18	Revolt EPA Cannister Assy
11	1	018-5020-00	5/16" x 1 1/2" Carriage Bolt	41	2	067-8090-03	Hydro Tank Assembly
12	1	018-5043-00	3/8" x 1 1/4" Carriage Bolt	42	1	068-8051-00	Interstate FAYTX14 Battery
13	4	018-5200-00	10-24 X 5/8 BS Button Head Bolt	43	1	069-0002-00	8507A13 McMaster Carr Plunger
14	2	018-6049-00	3/8" x 1" Hex Bolt	44	1	069-2013-00	2019 Stand On Brake Handle
15	10	018-8065-00	5/16" x 1" Carriage Bolt	45	2	069-2014-00	2019 Stand On Control Grip
16	2	019-2003-00	.390 x .750 x .062 Nylon Washer	46	1	069-7000-00	Rubber Brake Grip-cZT/ZT 2013
17	2	019-5029-00	3/8" Flat Washer	47	1	071-6005-00	2019 Stand On Waterbottle Cage
18	2	019-5037-00	3/8" Lock Washer	48	2	077-1000-00	Magnet-Steering Arm-Stand On
19	1	019-6042-00	.360 ID Plastic Washer	49	1	077-2076-00	USB Port
20	12	019-8040-00	1/4" x 3/4" Carriage Bolt	50	1	077-8073-00	Safety Switch
21	2	024-6034-00	1/4" Press in Grease Fitting	51	1	077-8076-00	Ignition Switch
22	2	025-2001-00	ACS Spacer 3/4x3/8x1/4	52	1	079-4106-00	2019 Podium Panel Right
23	1	026-0098-00	2019 Stand On Battery Hold Down	53	1	079-4111-00	2019 Podium Panel Left
24	1	031-0026-00	2019 Stand On Control Arm Stop Weldment	54	1	079-4112-00	2019 Stand On Podium Front Panel Weldment
25	1	031-0027-00	2019 Stand On Control Arm Stop Weldment_rear	55	1	083-4013-00	Tachometer
26	1	031-0028-00	2019 Stand On Drive Arm Actuator weldment_right	56	2	086-0015-00	Safety Switch Harness
27	1	031-0029-00	2019 Stand On Drive Arm Actuator weldment_left	57	1	086-0091-00	2019 Revolt Wiring Harness
28	4	031-0032-00	2019 Drive Arm Bushing	57.1	6	086-1201-00	Relay Terminal
29	1	034-1025-00	Brake Spring	58	1	089-1000-00	Oil Light
30	2	035-0006-19	2019 Stand On Drive Push Rod Assembly				



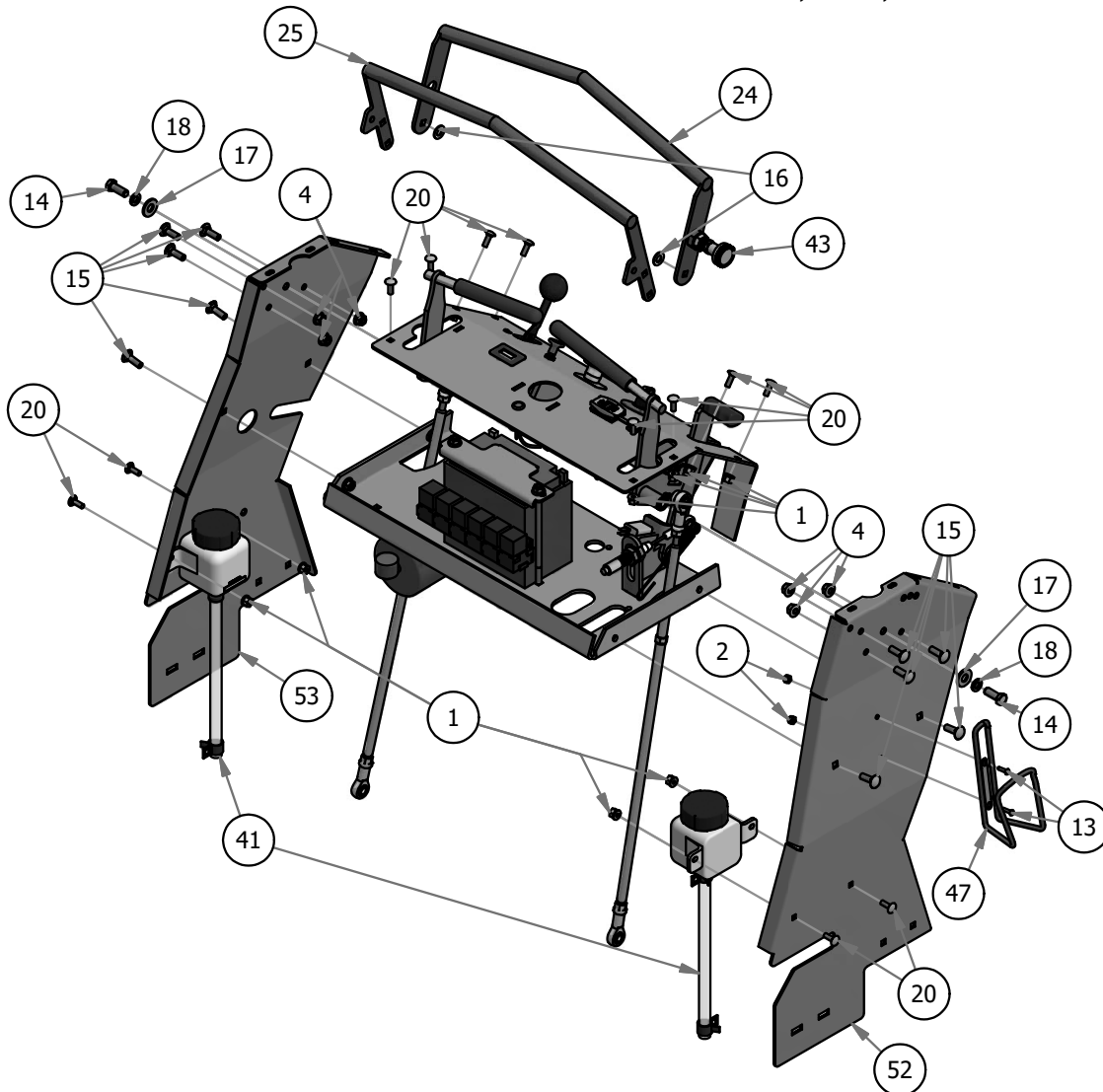


BAD BOY MOWERS

# PARTS SECTION: PODIUM ASSEMBLY (CONT.)



**BATTERY, BRAKE, & EPA CANNISTER**

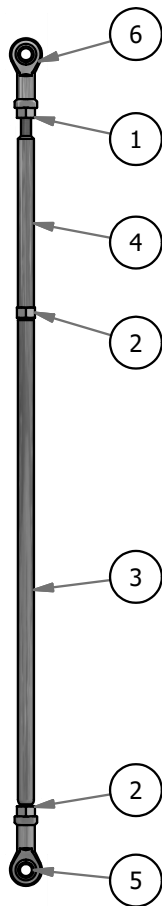




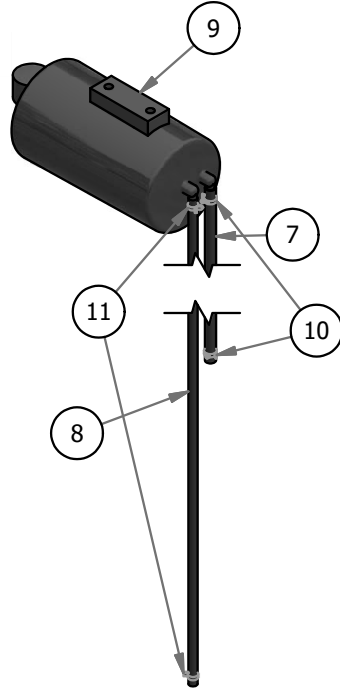
BAD BOY MOWERS

# PARTS SECTION: PODIUM ASSEMBLY (CONT.)

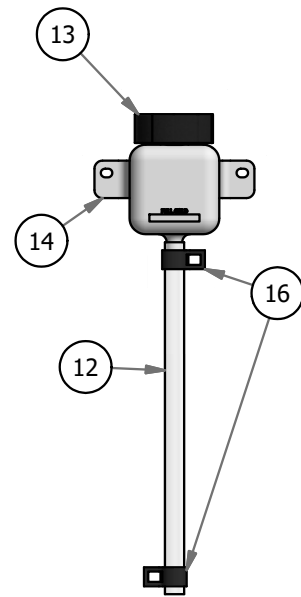
035-0006-19 Parts List				067-0020-18 Parts List			
ITEM	QTY	PART NUMBER	DESCRIPTION	ITEM	QTY	PART NUMBER	DESCRIPTION
1	1	013-6050-00	5/16" LH Fine Threaded Jam Nut	7	1.667 ft	051-8072-00	1/4" Vinyl Tubing
2	2	013-6051-00	3/8" Fine Threaded Jam Nut	8	2.667 ft	051-8073-00	3/16" Vinyl Tubing, 55" Long
3	1	031-0092-00	2019 Stand on drive arm	9	1	067-0020-00	Carbon Canister
4	1	035-0006-00	2019 Outlaw Gen2 Horizontal Push Rod Adjuster	10	2	072-8070-00	3/16 Vinyl Clamp
5	1	048-3000-00	Spherical Rod End - Outlaw	11	2	072-8073-00	3/16" Vinyl Hose Clamp
6	1	048-3002-00	Spherical Rod End - Outlaw	067-8090-03 Parts List			
				ITEM	QTY	PART NUMBER	DESCRIPTION
				12	1	051-0016-00	Z7/Maverick Hydro Tank Hose
				13	1	066-5050-00	Hydraulic Tank Cap
				14	1	067-8090-00	350ml Expansion Tank
				15	1	072-8065-00	3/8" Hose Clamp
				16	1	072-8066-00	1/2 Hose Clamp



**035-0006-19**  
**2019 Stand On Drive Push Rod Assembly**



**067-0020-18**  
**Revolt EPA Cannister Assy**



**067-8090-03**  
**Hydro Tank Assembly**

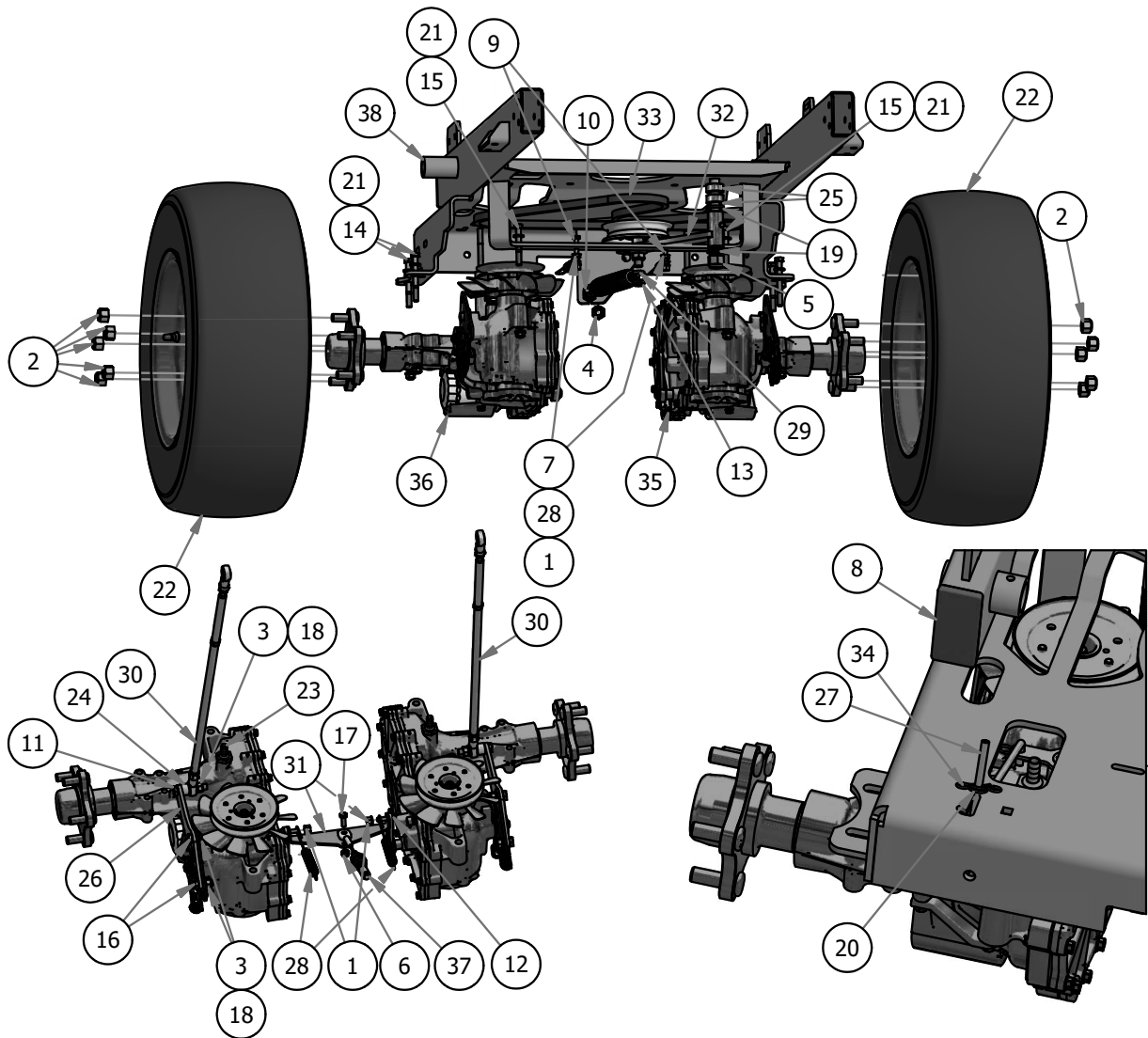




BAD BOY MOWERS

# PARTS SECTION: TRANSAXLE ASSEMBLY

Parts List				Parts List			
ITEM	QTY	PART NUMBER	DESCRIPTION	ITEM	QTY	PART NUMBER	DESCRIPTION
1	2	013-2050-00	1/4-20 Nylon Insert flange Nut	20	2	019-7040-00	1/4" Flat Washer
2	10	013-3000-00	Acorn Lug Nut	21	6	019-8044-00	5/16" Flat Washer
3	6	013-6014-00	3/8" Hex Nut	22	2	022-4040-00	23x9-12 Reaper Turf Tire & Wheel Assembly
4	2	013-7018-00	1/2" Hex Nut	23	2	024-1200-00	45 degree fitting
5	1	013-7021-00	5/8 Std NC Nylock Nut	24	2	025-2004-00	ACS Spacer 3/4x3/8x1/2
6	1	013-8073-00	1/4" Nylock Nut	25	2	025-7020-00	5/8" x 1" Collar W/One Set Screw
7	2	013-9001-00	1/4-20 Hex Flange Nuts Zinc w/Serrations	26	2	026-0093-00	Stand On Control Arm Plate
8	2	014-9003-00	1 1/2 x 3 Frame Plug	27	2	028-0071-00	2019 Stand On Neutral Rod
9	2	018-0011-00	1/4-20 x 2 Hex Bolt	28	2	034-1025-00	Brake Spring
10	1	018-2004-50	All Thread-Pump Idler Tensioner	29	1	034-2020-00	Deck Idler Spring
11	2	018-3000-00	3/8"-16 x 2" Gr 5 Hex Bolt	30	2	035-0006-19	2019 Stand On Drive Push Rod Assembly
12	2	018-4007-00	1/4-20 x 1 GR 5 hex bolt zinc	31	1	039-0212-00	Brake Bracket
13	1	018-4010-00	1/2" Nylock Nut (1/2 Jam)	32	1	039-6945-09	2019 Stand On Idler Assembly
14	4	018-4701-00	5/16" x 3" Hex Bolt	33	1	041-8052-00	2019 Stand On Pump Belt (Timken# 47-2827)
15	2	018-5344-00	5/16" x 2 1/2" Bolt	34	4	044-2004-00	Bow Pin
16	4	018-6049-00	3/8" x 1" Hex Bolt	35	1	050-6000-00	Left 3400 IZT
17	1	018-8052-00	1/4" x 3/4" Hex Bolt	36	1	050-6001-00	Right 3400 IZT
18	6	019-5037-00	3/8" Lock Washer	37	1	064-3000-00	Brake Cable
19	2	019-6017-00	.630 ID Plastic Washer	38	1	070-5220-19	2019 Stand On Frame Weldment

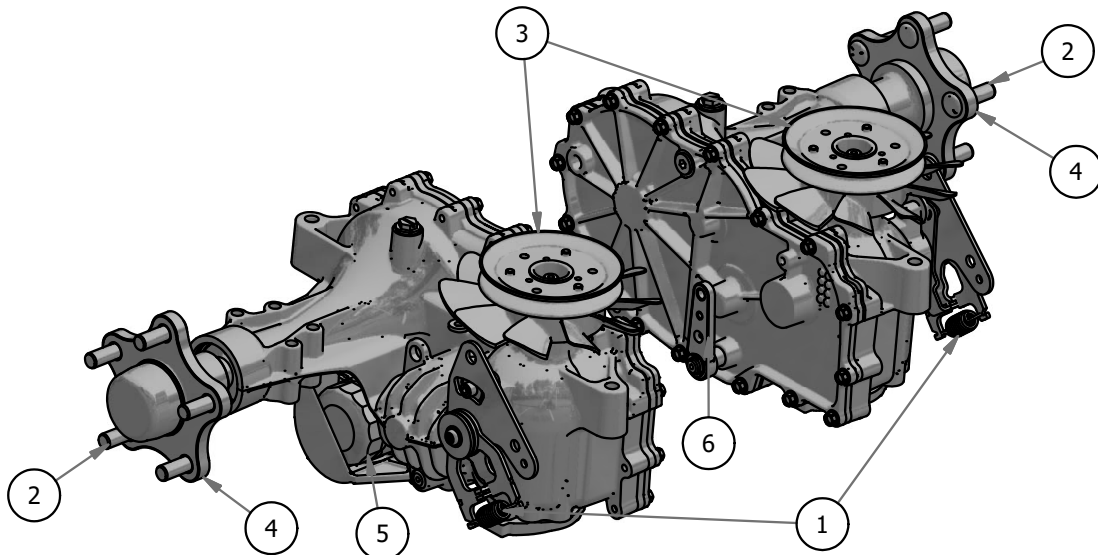




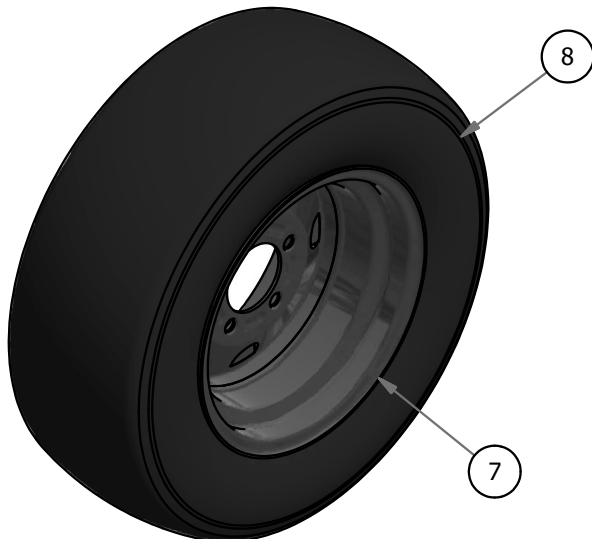
BAD BOY MOWERS

# PARTS SECTION: TRANSAXLE ASSEMBLY (CONT.)

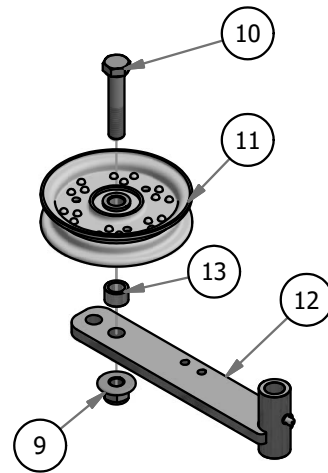
050-6000-00 & 050-6001-00 Parts List				022-4040-00 Parts List			
ITEM	QTY	PART NUMBER	DESCRIPTION	ITEM	QTY	PART NUMBER	DESCRIPTION
1	2	034-1050-00	Transaxle Spring	7	1	022-3011-00	12x7" Black Wheel
2	10	050-2012-00	Transaxle Wheel Studs	8	1	022-4035-00	23x9-12 Reaper Turf Tire Only
3	2	050-2072-00	Fan/Pulley Kit	069-6945-09 Parts List			
4	2	050-2077-00	5 Bolt Hub Kit	ITEM	QTY	PART NUMBER	DESCRIPTION
5	2	063-1050-00	Transaxle filter	9	1	013-8050-00	1/2-13 Nylon Flange Nut
6	2	092-8000-00	Transaxle Brake Lever	10	1	018-6036-00	1/2" x 2 1/2" Hex Bolt
				11	1	033-6001-00	4 3/4 Idler Pulley - ABFI-76
				12	1	039-6945-00	Deck Idler
				13	1	025-7036-00	1/2 x 1/2 Spacer



**050-6000-00 & 050-6001-00 REPLACEMENT PARTS**



**022-4040-00**  
**23x9-12 Reaper Turf Tire & Wheel Assembly**



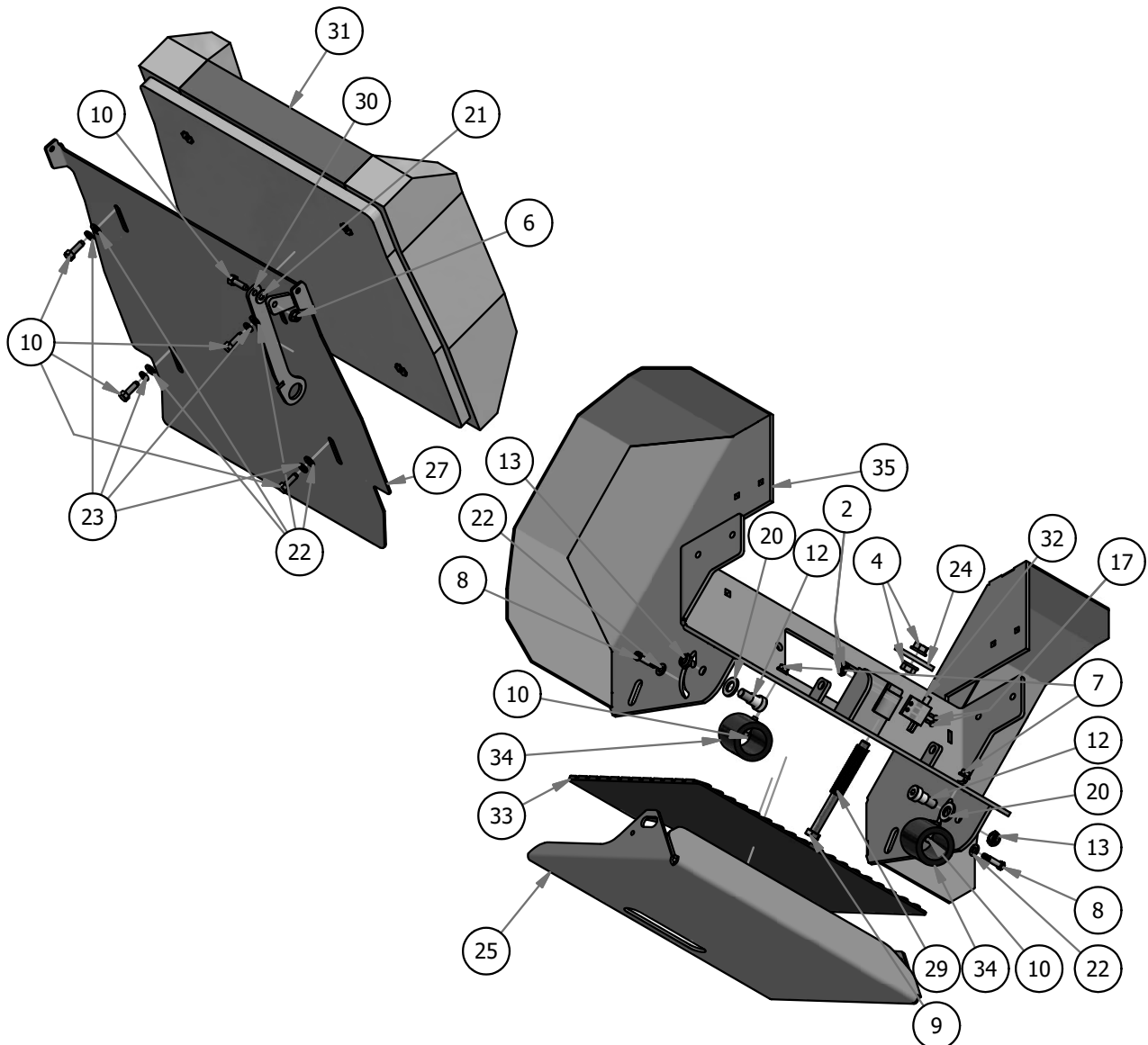
**039-6945-09**  
**2019 Stand On Idler Assembly**



BAD BOY MOWERS

# PARTS SECTION: REAR ASSEMBLY

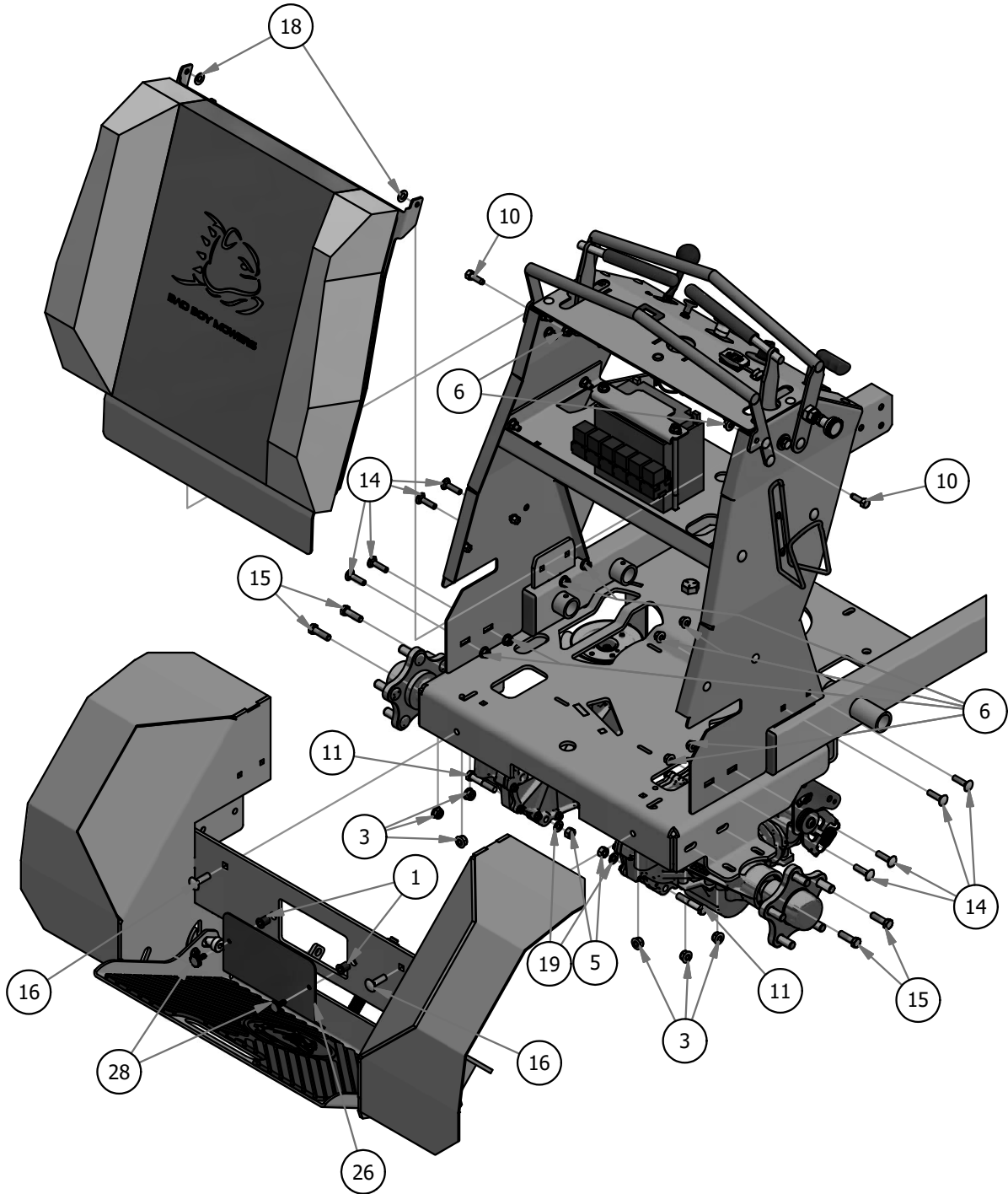
Parts List				Parts List			
ITEM	QTY	PART NUMBER	DESCRIPTION	ITEM	QTY	PART NUMBER	DESCRIPTION
1	2	013-0057-00	3326 Wellnut (1/4-20 x 5/18")	19	2	019-5037-00	3/8" Lock Washer
2	2	013-5019-00	10-24 Nylon Insert Locknut Zinc Orange Nylon	20	2	019-6017-00	.630 ID Plastic Washer
3	6	013-5202-00	3/8" Nylock Flange Nut	21	1	019-6042-00	.360 ID Plastic Washer
4	2	013-5300-00	1/2" Flange Nut	22	6	019-8044-00	5/16" Flat Washer
5	2	013-6014-00	3/8" Hex Nut	23	4	019-8051-00	5/16" Lock Washer
6	10	013-8049-00	5/16" Nylon Flange Nut	24	1	025-0025-00	MZ Deck Idler Spacer
7	2	013-9002-00	5/16" Flange Nut	25	1	026-0062-00	2019 Stand-On Platform
8	2	018-0059-00	5/16" x 7/8" Socket Head Shoulder Bolt	26	1	026-0063-00	2019 Stand On Access Panel
9	1	018-0062-00	1/2-13 x 6 UNC	27	1	026-0096-00	2019 Stand On Pad Plate Weldment
10	7	018-2007-00	5/16-18 x 1 GR 5 Hex Bolt Zinc	28	2	030-0015-00	1/4"-20 x 3/4" Knurled Thumb Screw
11	2	018-3000-00	3/8"-16 x 2" Gr 5 Hex Bolt	29	1	034-1001-00	Rider Presence Spring 9657K145
12	2	018-3001-00	5/8" x 5/8" Shoulder Bolt	30	1	039-0082-00	2019 Stand On Operator Pad Kickstand
13	2	018-4010-00	1/2" Nylock Nut (1/2 Jam)	31	1	071-6004-00	2019 Stand-On Platform Pad
14	8	018-4703-00	5/16" x 1 1/4" Carriage Bolt	32	1	077-0002-00	safety Switch
15	4	018-5040-00	3/8" x 1 1/4" Hex Bolt	33	1	081-3001-00	2019 Stand On Mat
16	2	018-5043-00	3/8" x 1 1/4" Carriage Bolt	34	2	087-0003-00	GBR-647 Miner Elastomer
17	2	018-5200-00	10-24 X 5/8 BS Button Head Bolt	35	1	201-1120-19	2019 Stand On Platform Support weldment
18	2	019-2003-00	.390 x .750 x .062 Nylon Washer				





BAD BOY MOWERS

# PARTS SECTION: REAR ASSEMBLY (CONT.)

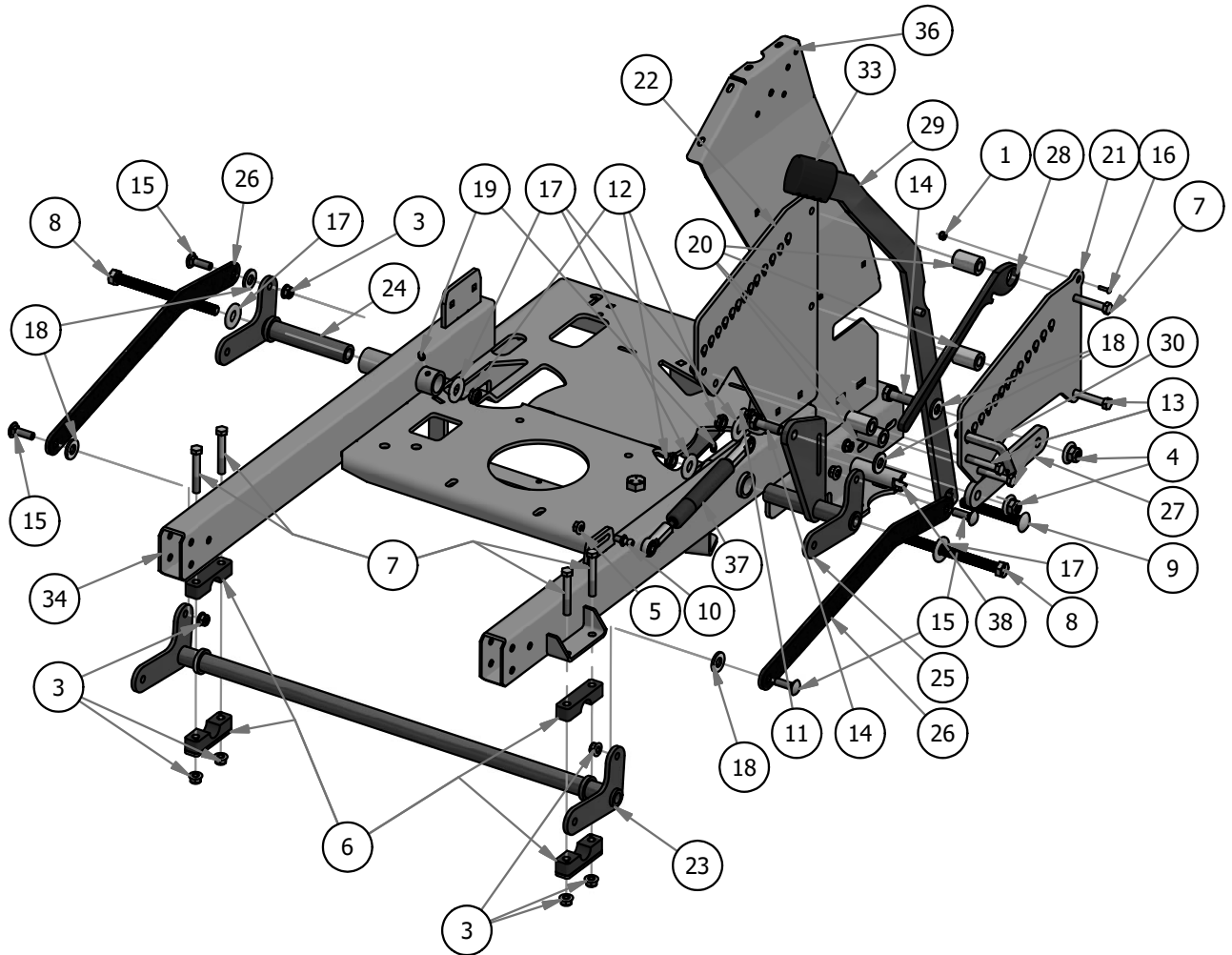




BAD BOY MOWERS

# PARTS SECTION: DECK HEIGHT LEVER ASSEMBLY

Parts List				Parts List			
ITEM	QTY	PART NUMBER	DESCRIPTION	ITEM	QTY	PART NUMBER	DESCRIPTION
1	1	013-5019-00	10-24 Nylon Insert Locknut Zinc Orange Nylon	21	1	026-0082-00	2019 Stand On Outer Adjustment Plate
2	4	013-5041-00	3/8 Nylock Nut	22	1	026-0083-00	2019 Stand On Inner Adjustment Plate
3	8	013-5202-00	3/8" Nylock Flange Nut	23	1	028-0028-00	2019 Stand On Front Actuator Bar Weldment
4	2	013-8050-00	1/2-13 Nylon Flange Nut	24	1	028-0029-00	2019 Stand On Actuator Bar Rear RH
5	2	013-9002-00	5/16" Flange Nut	25	1	028-0030-00	2019 Stand On Actuator Bar Rear- LH
6	2	017-9076-00	Pillow Block Kit	26	2	028-0033-00	2019 Stand-on Actuator Linkage
7	7	018-0028-00	3/8-16 x 2 1/2" Hex Bolt	27	1	028-5001-00	2019 Stand On Lever Secondary Linkage
8	2	018-0038-00	1/2-13 x 6 1/2 Hex Bolt	28	1	031-0093-00	2019 Stand on deck lever lock
9	1	018-0060-00	1/2-13 x 4" Carriage Bolt	29	1	031-7146-00	2019 Stand On Lift Lever Weldment
10	1	018-2050-00	10mm Damper Ball Stud-Steering	30	1	040-4001-00	Height Adj Pin
11	1	018-2055-00	10mm Damper Ball Stud-XP Linkage	31	1	051-8067-08	Revolt Fuel Line Assembly
12	3	018-4010-00	1/2" Nylock Nut (1/2 Jam)	32	1	067-0030-00	2019 REVOLT FUEL TANK
13	1	018-4700-00	3/8-16x3 grade 5 hex bolt	32.1	1	066-8076-00	Fuel Cap
14	2	018-5006-00	1/2" x 1 1/2" Hex Bolt	33	1	069-4012-00	2019 Stand On Lift Grip
15	4	018-5043-00	3/8" x 1 1/4" Carriage Bolt	34	1	070-5220-19	2019 Stand On Frame Weldment
16	1	018-5200-00	10-24 X 5/8 BS Button Head Bolt	35	2	072-0051-00	2019 Stand On Gas Tank Strap
17	5	019-2040-00	1/2" Flat Washer	36	1	079-4111-00	2019 Podium Panel Left
18	6	019-8054-00	.505 Nylon Spacer	37	1	087-5400-00	200 lb Gas Spring- 54" Deck outlaw
19	3	024-6034-00	1/4" Press in Grease Fitting	38	1	250-2121-00	Lever Pivot Actuator Rod
20	4	025-5338-00	.502 ID X .750 OD X 1.500 Long Spacer				

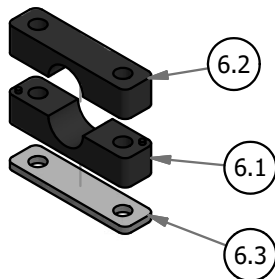
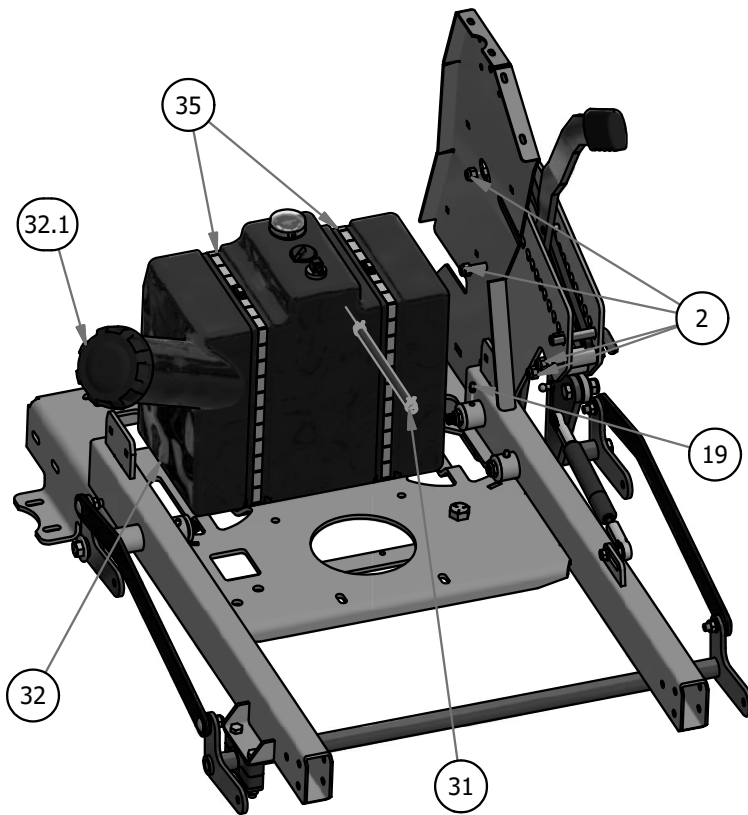




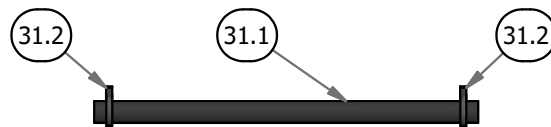
BAD BOY MOWERS

# PARTS SECTION: DECK HEIGHT LEVER ASSEMBLY (CONT.)

Parts List				Parts List			
ITEM	QTY	PART NUMBER	DESCRIPTION	ITEM	QTY	PART NUMBER	DESCRIPTION
6.1	1	017-9077-00	Pillow Block MZ male	31.1	0.667 ft	051-8067-00	1/4 Fuel Line
6.2	1	017-9078-00	Pillow Block MZ female	31.2	2	072-8069-00	1/4 Fuel Hose Clamp
6.3	1	017-9079-00	Pillow Block Strap				



**017-9076-00**  
**Pillow Block Kit**



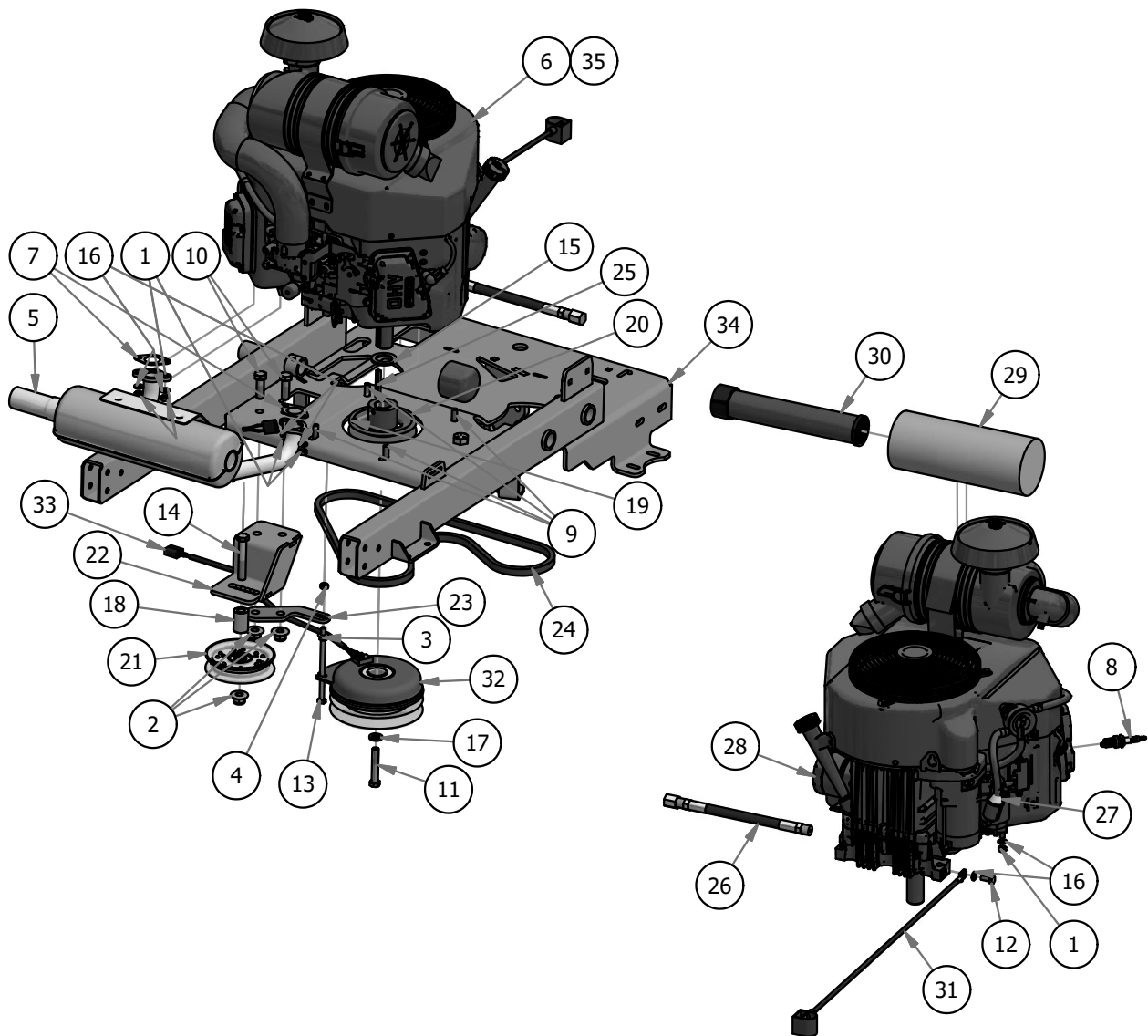
**051-8067-08**  
**Revolt Fuel Line Assembly**



BAD BOY MOWERS

# PARTS SECTION: ENGINE - KAWASAKI FX-730

Parts List				Parts List			
ITEM	QTY	PART NUMBER	DESCRIPTION	ITEM	QTY	PART NUMBER	DESCRIPTION
1	5	013-0075-00	M8-1.25 Zinc Nut	19	1	030-0050-00	5/16 Set Screw
2	3	013-8050-00	1/2-13 Nylon Flange Nut	20	1	033-5035-00	4 3/4 Motor Pulley
3	1	013-9002-00	5/16" Flange Nut	21	1	033-6001-00	4-3/4 Idler Pulley
4	1	013-9005-00	5/16-18 Nylock Jam Nut 1/2 Nut	22	1	039-0089-00	Idler Pulley Bracket Weldment
5	1	015-0692-00	Exhaust-Stand On-FX691V Kawasaki	23	1	039-0119-00	2019 Stand On Clutch Stop Bracket
6	1	015-0730-00	FX-730V	24	1	041-8052-00	2019 Stand On Pump Belt (Timken# 47-2827)
7	2	015-2709-00	Exhaust Gasket	25	1	042-5020-00	1/4 x 2 Square key Stock
8	2	015-8001-00	Spark Plug - Kawasaki	26	1	051-5404-00	Oil drain Hose
9	4	018-1075-00	3/8 x 1 1/8 bolt	27	1	063-6000-00	Universal Inline Fuel Filter
10	2	018-5006-00	1/2" x 1 1/2" Hex Bolt	28	1	063-8017-00	Oil Filter
11	1	018-5300-00	7/16" x 2 1/2" Hex Bolt	29	1	063-8019-00	Canister Air Filter- Outer
12	1	018-5321-00	M8x1.20x20MM Hex head bolt	30	1	063-8020-00	Canister Air Filter- Inner
13	1	018-5350-00	5/16-18 x 5-1/2 GR 5 Hex Bolt	31	1	064-0030-00	24" Black Ground Cable
14	1	018-7016-00	1/2-13 x GR 5 Hex Bolt Zinc	32	1	070-1000-00	Clutch Assembly
15	1	019-6029-00	1 1/8" Flat Spacer	33	1	070-2000-00	Clutch Pigtail
16	6	019-8051-00	5/16" Lock Washer	34	1	070-5220-19	2019 Stand On Frame Weldment
17	1	019-8053-00	7/16" Lock Washer	35	1	086-9002-19	Kawasaki Harness Adapter
18	1	025-5338-00	.502 ID X .750 OD X 1.500 Long Spacer				





BAD BOY MOWERS

# PARTS SECTION: DECALS

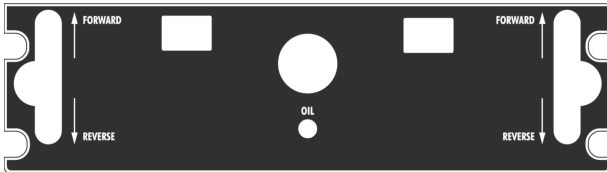


091-4031-00  
DECAL

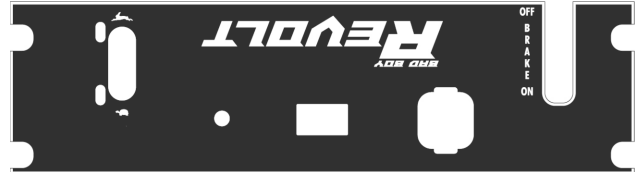
POWERED BY



091-4003-00  
POWERED BY KAWASAKI DECAL



091-4017-00  
LOWER CONTROL PANEL DECAL



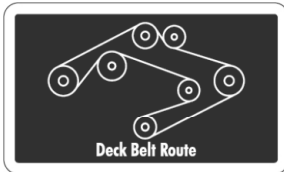
091-4018-00  
UPPER CONTROL PANEL DECAL



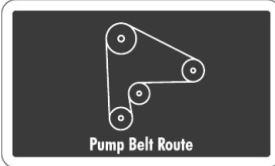
091-0903-18  
48" DECK DECAL



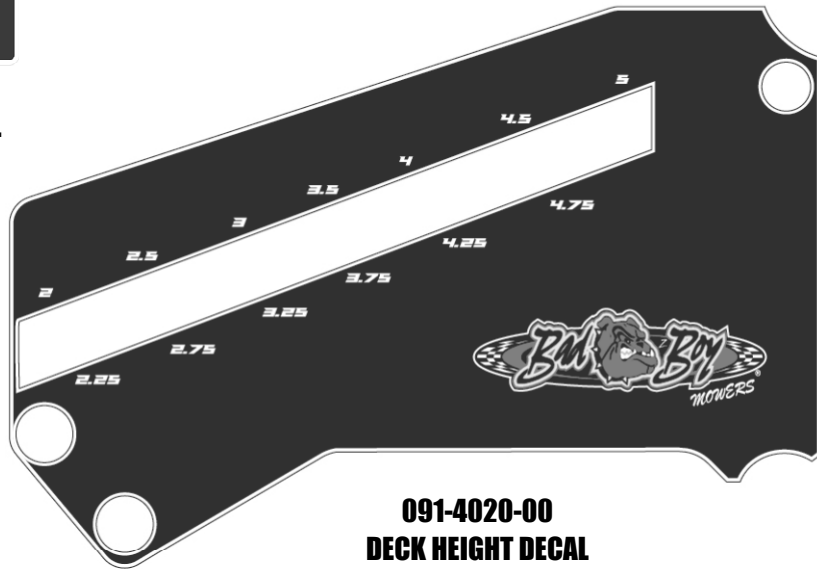
091-0904-18  
54" DECK DECAL



091-4019-00  
DECK BELT ROUTE DECAL



091-4022-00  
PUMP BELT ROUTE DECAL



091-4020-00  
DECK HEIGHT DECAL



091-1020-00  
HYDRAULIC CAUTION DECAL



091-3012-00  
DANGER DECAL



091-4021-00  
726cc DECAL

<p><b>DANGER</b></p> <p>• STOP BLADE &amp; BACK SLOWLY IF MACHINE STOPS GOING UPHILL • NEVER MOW NEAR PEOPLE • NEVER USE WHEN UNDER THE INFLUENCE OF DRUGS OR ALCOHOL • NEVER CARRY PASSENGERS • SET PARKING BRAKE &amp; REMOVE KEY IF LEAVING MACHINE • AVOID SLIPPERY OR STEEP AREAS • AVOID BLADE UNLESS BLADE &amp; ENGINE ARE STOPPED • USE SAFELY, MACHINE IS NOT A TOY • KNOW LOCATION AND FUNCTION OF CONTROLS • REMOVE POTENTIAL THROWN OBJECTS • KEEP SAFETY DEVICES IN PLACE AND WORKING • LOOK BEHIND MACHINE BEFORE BACKING</p> <p>• READ OWNER'S MANUAL •</p>	<p>NEVER MOW UP HILL OVER 5°</p>	<p>NEVER MOW UP HILL OVER 10°</p>	<p>NEVER MOW SLOPE OVER 15°</p>	<p><b>DANGER</b></p> <p><b>CAUTION</b></p> <p>Shut off engine before refueling. Never fill fuel tank indoors or when engine is hot. Wipe up all spilled gasoline before starting engine. Do not smoke while refueling.</p>	<p><b>CAUTION</b></p>
	<p>091-3150-00 WARNING DECAL</p>				







BAD BOY MOWERS

# 2019 LIMITED WARRANTY FOR BAD BOY COMMERCIAL MOWER (REVOLT, REBEL, ROUGE, and RENEGADE)

## 1. WHAT THIS WARRANTY COVERS, AND FOR HOW LONG:

Bad Boy, Inc. will, at its option, repair or replace, without charge, any part covered by the warranty which is found to be defective in material and/or workmanship for two (2) years \* after the date of sale to the original retail purchaser unless the product is used for rental purposes, in which case this warranty is limited to ninety (90) days.

The leading edge of the deck shell will be warranted for the entire lifetime of the machine to the original purchaser against defects in materials and workmanship. Labor required to repair or replace the leading edge of the deck shell will be covered by Bad Boy Inc. for two years and at the unit owner's expense during the balance of the lifetime of the machine.

Belts are warranted for a period of ninety (90) days against materials or workmanship defects.

Seats are warranted for a period of (6) months against material or workmanship defects.

At Bad Boy, Inc.'s request, customer will make the defective part available for inspection by Bad Boy, Inc. and/or return the defective part to Bad Boy, Inc., transportation charges prepaid.

## 2. WHAT THIS WARRANTY DOES NOT COVER:

- A. This warranty does not cover defects caused by depreciation or damage caused by normal wear, accidents, improper maintenance, improper use or abuse of the product, alterations, or failure to follow the instruction contained in the Owner's Manual for operation and maintenance.
- B. The customer shall pay any charges for making service calls and/or for transporting the mower to and from the place where the inspection and/or warranty work is performed.  
Bad Boy Inc will not be responsible for the pickup and delivery of a machine for warranty purposes.
- C. Engines are warranted separately by their respective manufacturer. The available warranties covering this item are furnished with each mower. Bad Boy, Inc does not assume any warranty obligation, liability or modification for this item, which is covered exclusively by the stated warranty of the respective manufacturers.
- D. Tires, blades, deck anti-scalping wheels, and dust covers are considered to be consumable wear items and are therefore not warranted.
- E. Batteries are warranted for six months (free replacement) from the retail purchase date against materials or workmanship defects. The battery warranty must be obtained through the battery manufacturer.
- F. Normal maintenance services such as oil change, cleaning, lubrication, adjustment.
- G. Replacement of services, items, such as oil, lubricants, spark plugs, belts, rubber hoses or other items subject to normal service replacement.

## 3. HOW TO OBTAIN SERVICE UNDER THIS WARRANTY:

- A. Warranty service can be arranged by contacting the dealer where you purchased the mower. Proof of the date of purchase may be required to verify warranty coverage. Warranty repairs must be completed by an authorized Bad Boy center.
- B. Warranty claims will not be reviewed or paid unless the warranty registration is received by Bad Boy, Inc. within 30 days of the retail purchase date.
- C. Warranty claims requiring parts returned will be settled upon return of parts to Bad Boy for inspection.
- D. All warranty issues must be handled through an authorized service center or dealership.

## 4. WARRANTY LIMITATION:

- A. **THERE IS NO OTHER EXPRESS WARRANTY. ANY WARRANTY THAT MAY BE IMPLIED FROM THIS PURCHASE INCLUDING MERCHANTABILITY AND FITNESS FOR A PARTICULAR PURPOSE IS HEREBY LIMITED TO THE DURATION OF THIS WARRANTY AND TO THE EXTENT PERMITTED BY LAW ANY AND ALL IMPLIED WARRANTIES ARE EXCLUDED.** Some states do not allow limitations on how long an implied warranty lasts, so the above limitations may not apply to you.

- B. **BAD BOY, INC. WILL NOT BE LIABLE FOR ANY INCIDENTAL, CONSEQUENTIAL, OR SPECIAL DAMAGES AND/OR EXPENSES IN CONNECTION WITH THE PURCHASE OR USE OF THE MOWER.** Some states do not allow the exclusion or limitation of incidental or consequential damages, so the above limitation(s) or exclusion(s) may not apply to you.

- C. Only the warranty expressed in this limited warranty shall apply and no dealer, distributor, or individual is authorized to amend, modify, or extend this warranty in any way. Accordingly, additional statements such as dealer advertising or presentations, whether oral or written, do not constitute warranties by Bad boy, Inc., and should not be relied on.
- D. This warranty extends only to turf equipment operated under normal conditions and properly serviced and maintained. The warranty expressly does not cover (i) any defects, damage or deterioration due to normal use, wear and tear, or exposure; (ii) normal maintenance services such as oil change, cleaning, lubrication, adjustment; (iii) replacement of services, items, such as oil, lubricants, spark plugs, belts, rubber hoses or other items subject to normal service replacement; (iv) damage or defects arising out of or relating to misuse, neglect, alteration, negligence or accident; (v) repair or replacement arising from operation of or use of the turf equipment which is not in accordance with operating instructions as specified in the operator's manual or other operational instructions provided by Bad Boy Inc.; (vi) repair or replacement arising as a result of any operation from turf equipment that has been altered or modified so as to, indetermination of Bad Boy, Inc., adversely affect the operation, performance or durability of the equipment or that has altered, modified or affected the turf equipment so as to change the intended use of the product; (vii) repair or replacement necessitated by use of parts, accessories or supplies, including gasoline, oil or lubricants, incompatible with the turf equipment or other than as recommended in the operator's manual or other operational instructions provided by Bad Boy, Inc.; (viii) repairs or replacements resulting from parts or accessories which have adversely affected the operation, performance or durability of the turf equipment; or (ix) damage or defects due to or arising out of repair of turf equipment by person or persons other than an authorized Bad Boy, Inc., service dealer or the installation of parts other than genuine Bad Boy, Inc., recommended parts.  
**As a condition to this warranty, customer shall have read the operator's manual and ensured the mower has been registered within 30 days of purchase.**
- E. This warranty gives you specific legal rights, and you may also have other rights, which vary from state to state.



**BAD BOY, INC.**

**102 INDUSTRIAL DRIVE**

**BATESVILLE, AR 72501**

**WWW.BADBOYMOWERS.COM**

Technical Support:.....techsupport@badboymowers.com

Warranty: .....warranty@badboymowers.com

Parts: .....partsdept@badboymowers.com

## **WARRANTY REGISTRATION**

**Ensure selling dealership has registered mower within  
30 days of purchase to validate warranty.**

Please record your serial number, date of purchase and dealership information  
for your records.

Serial # \_\_\_\_\_

Date of Purchase \_\_\_\_\_

Dealer Information \_\_\_\_\_



**BAD BOY  
MOWERS**

**[www.badboymowers.com](http://www.badboymowers.com)**

Bad Boy, Inc.

102 Industrial Drive

Batesville, Arkansas 72501