

BAD BOY MOWERS



RENEGADE GAS OUTLAW **ZERO-TURN MOWER** **OWNER'S, SERVICE & PARTS MANUAL**

For additional information, please see us at
www.badboymowers.com

Bad Boy, Inc.
102 Industrial Drive
Batesville, Arkansas 72501



TABLE OF CONTENTS

| | | |
|-------------------------------------|-------------------|---------|
| Basic Information | Section 1 | Page 4 |
| Bad Boy Safety Guidelines..... | Section 2 | Page 5 |
| Operation | Section 3 | Page 9 |
| Maintenance..... | Section 4 | Page 10 |
| Storage and Transportation..... | Section 5 | Page 10 |
| Troubleshooting and FAQ | Section 6 | Page 12 |
| Controls..... | Section 7 | Page 13 |
| Moving In-operable Mower..... | Section 8 | Page 14 |
| Instrumentation | Section 9 | Page 14 |
| Mower Blade Maintenance..... | Section 10 | Page 15 |
| Equipment Lubrication..... | Section 11 | Page 15 |
| How To Choose the Right Blade | | Page 16 |
| Mowing Tips..... | | Page 17 |
| Service Section | | Page 18 |
| Parts Section..... | | Page 32 |
| Limited Warranty | | Page 52 |



BAD BOY MOWERS

THIS MANUAL APPLIES TO THE FOLLOWING EQUIPMENT:

BAD BOY RENEGADE SERIES

BRN 6100 61" 993cc Vanguard

BRN 7200 72" 993cc Vanguard

BRN 6100 61" 993cc Vanguard EFI

BRN 7200 72" 993cc Vanguard EFI

COMMONLY USED ITEMS AND PART NUMBERS

| | | | |
|------------------|--|-----------------------------|---------------------------|
| 61" Blade | Hi-Lift Fusion 038-6080-00 | Gator Blade 038-6081-00 | Wave Blade 038-6090-00 |
| 72" Blade | Hi-Lift Fusion 038-7230-00 | Gator Blade 038-5400-00 | Wave Blade 038-7215-00 |
| Hydraulic Filter | 063-8014-00 | | |
| 61" Deck Belt | 041-0222-00 | | |
| 72" Deck Belt | 041-2375-00 | | |
| Pump Belt | 041-8000-00 | | |
| Oil Filter | 063-8018-00 | | |
| Air Filter | Inner Filter 063-8020-00 | Outer Filter 063-8019-00 | |
| Spark Plug | 015-8000-00 | | |
| Motor Oil | 10W-30 Motor Oil - Bad Boy Synthetic Blend Motor Oil Recommended. (Approximately 2.25 Quarts) 085-6015-00 | | |
| Hydraulic Oil | 20W-50 Motor Oil - Bad Boy Hydrostatic Oil Recommended (Approximately 2.5 Quarts per side) 085-6000-00 | | |



SECTION 1: BASIC INFORMATION

Congratulations on the purchase of your new Bad Boy Mower! The purpose of this manual is to assist operators in maintaining and operating their machine. The information and instructions in this manual can help you attain years of performance from your new Bad Boy. Also, check out our website to learn more about the Bad Boy family.

- 1.1 All Bad Boy engines use 10W-30 engine oil. For maximum protection, Bad Boy synthetic blend engine oil is recommended.
- 1.2 All Bad Boy hydraulic systems use 20W-50 engine oil (Conventional or Synthetic). Bad Boy Hydrostatic oil is recommended.
- 1.3 All Bad Boy Mowers use hi-temp multi-purpose grease. NLGI No. 2 for the grease fittings.
- 1.4 Outlaw models have 12 psi in the front tires and 8 psi rear tires.
- 1.5 Most Briggs, Kohler, Kawasaki, and Vanguard engines hold approximately two (2) quarts of motor oil. Be careful not to over fill engine oil. Refer to engine's service manual.

WARRANTY REGISTRATION

The Warranty Registration form must be completed within 30 days to validate your warranty. As the new equipment owner, you are expected to see that the form is completed and forwarded to Bad Boy Inc. at time of delivery. Warranty is nontransferable. **Warranty registration should be completed by the selling dealership using the on-line registration site.**

MODEL/SERIAL NUMBER

Your Outlaw model serial numbers are found on the SIN plate underneath the seat. These numbers can assist you in the ordering of new parts when replacements become necessary.

PARTS/SERVICE

Only Bad Boy replacement parts are to be used on your mower. Replacement parts are available through your local Bad Boy Mowers Dealer. Remember to always provide the following information when ordering parts:

1. Correct part number
2. Correct serial number

All warranty repair and service must be handled through your authorized Bad Boy Mowers Dealer. To locate the nearest dealer, go to our website and click on Locate a Dealer.

EVAPORATIVE EMISSION CONTROL WARRANTY STATEMENT

Federal Evaporative Emission Control Warranty: Your Warranty Rights and Obligations

The Environmental Protection Agency (EPA), and Bad Boy Inc. are pleased to explain the evaporative emission control system's warranty on your 2019 equipment. New equipment that uses spark ignition engines for off-road use must meet stringent anti-smog standards. The evaporative emission control system on your equipment is designed, built, and equipped so it conforms at the time of sale to the ultimate purchaser with the requirements of 40 CFR 1060. The evaporative emission control system is free from defects in materials and workmanship that may keep it from meeting said requirements. Bad Boy Inc. must warrant the evaporative emission control system on your equipment for two years provided there has been no abuse, neglect, or improper maintenance. If an evaporative emission control system component does fail in a manner that would cause the equipment to no longer meet the requirements of 40 CFR 1060 within the first two years Bad Boy Inc. will replace the defective component. Your evaporative emission control system may include parts such as fuel tanks, fuel lines, carbon canisters, fuel caps, valves, vapor hoses, clamps, or connectors.



SECTION 2: MOWER SAFETY GUIDELINES

Never allow untrained people to operate this machine. It is the owner's responsibility to get training and see to it that anyone who has permission to use your machine receives the proper training. Do not mow around people. The factory discharge chute is designed to deflect debris downward, but it could be possible for debris to be thrown in a way that can cause damage to people or property. Seek additional training when possible to learn more about safety techniques and practices. **This cutting machine is capable of amputating hands and feet and throwing objects. Failure to observe the following safety instructions could result in serious injury or death.**

GENERAL OPERATION

- 2.1 Read, understand, and follow all instructions on the machine and in the manual before starting.
- 2.2 Do not put hands or feet near rotating parts or under the machine. Keep clear of the discharge opening at all times.
- 2.3 Always remain seated while operating the machine. If the machine is equipped with Roll Over Protection (ROPs), always buckle your seat belt.
- 2.4 Only allow responsible adults who are familiar with the instructions to operate this machine.
- 2.5 Clear the area of objects such as rocks, wire, toys etc., which could be thrown by the blades
- 2.6 Always maintain a safe distance from people and pets just prior to, and during, operation. Stop the machine if anyone enters the area.
- 2.7 Never carry passengers.
- 2.8 Do not mow in reverse unless absolutely necessary. Always look down and behind before and while backing.
- 2.9 Never direct discharged material toward anyone. Avoid discharging material against a wall or obstruction as material may ricochet back toward the operator. Stop the blades when crossing gravel surfaces.
- 2.10 Never operate the machine without the discharge chute, grass catcher, or other safety devices correctly in place and functioning properly.
- 2.11 Slow down before turning.
- 2.12 Always disengage blades, place steering controls in neutral, engage parking brake, and remove ignition key when leaving operators seat. Never leave a running machine unattended.
- 2.13 Disengage blades when not mowing. Shut off engine and wait for all parts to come to a complete stop before cleaning the machine, inspecting the machine for damage, removing the grass catcher, or unclogging the discharge guard.
- 2.14 Always operate machine in daylight or with adequate working lights.
- 2.15 Do not operate the machine while under the influence of alcohol or drugs.
- 2.16 Watch for traffic when operating near or crossing roadways.
- 2.17 Always wear eye protection when operating or servicing the machine.
- 2.18 Always wear ear protection, such as earplugs, while mowing.
- 2.19 Use extra care when loading or unloading the machine into a trailer or truck.
- 2.20 Be alert of surroundings. Watch for rocks, stumps, mounds, depressions, and low hanging limbs or objects that could be potentially hazardous while mowing.
- 2.21 Data indicates that operators 60 years of age and above are involved in a large percentage of riding mower related injuries. These operators should periodically evaluate their ability to operate the riding mower safely enough to protect themselves and others from serious injury.
- 2.22 Prevent fires by keeping engine and exhaust areas clear of grass clippings and other debris. Do not park or back mower over or immediately adjacent to flammable materials. Do not mow on or into piles of leaves. This may cause the leaves to become lodged around the engine and muffler and catch fire.



SETTING DECK HEIGHT

- 2.23 If your machine is equipped with an actuator motor, raise the deck using the raise /lower switch. Refer to section 7 (Controls). When deck is raised, set desired height with the deck height control dial, then lower deck with the raise / lower switch.
- 2.24 If your machine is equipped with a foot pedal, press foot pedal to raise deck, select your desired deck height with the deck height dial, then slowly release foot pedal.

SLOPE OPERATION

Slopes are a major factor related to loss of control and tip over accidents, which can result in severe injury or death. Operation on all slopes requires extra caution. If you cannot back up the slope, or you feel uneasy on it, do not mow it. Bad Boy Mowers recommends always evaluating the terrain and slope conditions prior to operating on or near a slope to ensure the mower is operated in a safe manner. Under proper conditions your Bad Boy Mower may be able to mow a maximum slope of 5 degrees transversely, across the slope, and a 10 degree slope if driving up the slope, and a maximum of 15 degrees if driving down the slope. Following are some general guidelines Bad Boy Mowers recommends following.

- 2.25 Mow up and down slopes, not across.
- 2.26 Watch for holes, ruts, bumps, rocks, or other hidden objects that tall grass can obscure. Uneven terrain could overturn the machine.
- 2.27 Choose a low ground speed when operating the machine on a slope.
- 2.28 Do not mow on wet grass, the tires may lose traction.
- 2.29 Do not attempt to coast down a slope in the neutral position.
- 2.30 Avoid starting, stopping, or turning on a slope. If the tires lose traction, disengage the blades and proceed slowly, straight down the slope.
- 2.31 Keep all movement on slopes slow and gradual. Sudden changes in speed or direction could cause the machine to roll over.
- 2.32 Use extra care while operating machine with grass catchers or other attachments: they can affect the stability of the machine. Do not use on steep slopes.
- 2.33 Do not try to stabilize the machine by putting your foot on the ground.
- 2.34 Do not mow near drop offs, ditches or embankments. The machine could suddenly roll over if a wheel goes over the edge or the edge caves in.
- 2.35 Be aware of what is located at the bottom of slopes. For example: rocks water, cliffs, and roadways.

CHILDREN

Tragic accidents can occur if the operator is not alert to the presence of children. Children are often attracted to the machine and the mowing activity. NEVER assume that children will remain where you last saw them.

- 2.36 Keep children out of the mowing area and in the watchful care of a responsible adult other than the operator.
- 2.37 Maintain Alertness and turn machine off if a child enters the area.
- 2.38 Before and while backing, look behind and down for small children.
- 2.39 Never carry children, even with blades shut off. They may fall off and be seriously injured or interfere with safe machine operation. Children who have been given rides in the past may suddenly appear in the mowing area for another ride and be run over or backed over by the machine.
- 2.40 Never allow children to operate the machine.
- 2.41 Never leave the key in the ignition, especially around children.
- 2.42 Use extreme care when approaching blind corners, shrubs, trees, or other objects that may block your view of a child



TOWING

Max. pulling weight: 500 lbs.

Max. at 5°: 440 lbs.

Max tongue weights: 54" = 75 lbs.; 61" = 80 lbs.; 72" = 90 lbs.

- 2.43 Tow only with a machine that has a hitch specifically designed for towing. Do not attach towed equipment except at the hitch point.
- 2.44 Follow the manufacturer's recommendation for weight limits for towed equipment and towing on slopes.
- 2.45 Never allow children or others in or on towed equipment.
- 2.46 On slopes, the weight of the towed equipment may cause loss of traction and loss of control.
- 2.47 Travel slowly and allow extra distance to stop.

SERVICE

SAFE HANDLING OF GASOLINE

To avoid personal injury or property damage, use extreme care in handling gasoline. Gasoline is extremely flammable and the vapors are explosive.

- 2.48 Extinguish all cigarettes, cigars, pipes, and all other sources of ignition.
- 2.49 Use only an approved gasoline container.
- 2.50 Never remove gas cap or add fuel with the engine running.
- 2.51 Allow engine to cool before refueling.**
- 2.52 Never fuel the machine indoors.
- 2.53 Do not store machine near open flame or source of ignition, such as a water heater or furnace.
- 2.54 Remove gas powered equipment from the truck or trailer and refuel it on the ground. If this is not possible, then refuel such equipment with a portable container, rather than from a gasoline dispenser nozzle.
- 2.55 Never fill gasoline containers inside a vehicle or on a truck or trailer bed with a plastic liner. Always place containers on the ground away from your vehicle before filling.
- 2.56 Keep the nozzle in contact with the rim of the fuel tank or container opening at all times until the fueling is complete. Do not use a nozzle lock-open device. Always allow any spilled fuel to completely dry before attempting to start the mower.
- 2.57 If fuel is spilled on clothing, change clothing immediately.
- 2.58 Never overfill fuel tank. Replace gas cap and tighten securely. **Tank is full when level reaches bottom of fill tube.**

GENERAL SERVICE

- 2.59 Never operate machine in a closed area where dangerous carbon monoxide fumes can collect.
- 2.60 Keep all nuts and bolts tight to be sure the equipment is in safe working condition. Never operate a poorly maintained machine.
- 2.61 Do not touch hot areas of the machine.
- 2.62 Never interfere with the intended function of a safety device or reduce the protection provided by a safety device. Check their proper operation regularly.
- 2.63 Keep the entire machine free of grass, leaves, or other debris build up. Clean up oil or fuel spillage and remove any fuel-soaked debris. Failure to do so can affect the safety and functionality of the machine, as well as increase the danger of a fire due to contact with the hot surfaces of the machine.
- 2.64 Allow machine to cool before storing.



- 2.65 If you strike something with the mower, turn the mower and blades off, engage the parking brake, and inspect the machine for damage. Repair, if necessary, before resuming.
- 2.66 Never make any adjustments or repairs with the engine running.
- 2.67 Check grass catcher components and the discharge guard frequently and replace with manufacturer's recommended parts, when necessary.
- 2.68 Mower blades are sharp. Wrap the blade or wear gloves before servicing them.
- 2.69 Check parking brake operation frequently. Adjust and service as required.
- 2.70 Maintain or replace safety and instruction labels, as necessary.
- 2.71 Do not attempt to mount a tire without the proper equipment and experience to perform the job.
- 2.72 Always maintain the correct tire pressure. Do not inflate the tires above the recommended pressure. Never weld or heat a wheel and tire assembly. The heat can cause an increase in air pressure resulting in a tire explosion. Welding can structurally weaken or deform the wheel.
- 2.73 Park machine on level ground. Never allow untrained personnel to service machine. Understand service procedure before doing work.
- 2.74 Mower deck, frame, and engine compartment should remain free of debris to prevent premature parts failures or fire hazards.

SAFETY INTERLOCK SYSTEM

Your Bad Boy mower is equipped with a safety interlock system. This system is designed to prevent serious injury or death to the operator and other people or property damage. The system consists of an operator presence switch in the seat, the parking brake, drive lever neutral position, the mower blade engagement switch, and the ignition switch. These interlocks are vitally important and must be tested frequently. Following are instructions to test these very important safety precautions. **Note: the operator must be seated properly on the machine during these tests and the engine should have been previously allowed to warm to operating temperature.**

- 2.75 With the parking brake engaged, bring lever arms to their inward position. Attempt to start the machine with the blade actuator in off position. The engine should not start.
- 2.76 On a level surface, disengage the parking brake and place lever arms to their outward position. Then, attempt to start the machine with the blade actuator in off position. The engine should not start.
- 2.77 Engage parking brake and leave lever arms in outward position. Put blade actuator in the on position, then attempt to start the machine. The engine should not start.
- 2.78 Next, start the engine as stated in the Mower Operation Section. Disengage parking brake and, Very Slowly, begin to rise from the seat. The engine should stop.

If any of these tests fail to produce the results indicated and the problem cannot be identified, contact your Bad Boy Mower dealer or the support contacts in the rear of this manual.

ROLL OVER PROTECTION STRUCTURES (ROPS)

This machine is equipped with ROPS from the factory. It is vital that the rules below are adhered to. ROPS, when used correctly, dramatically decrease the fatality rate in roll-over instances.

- 2.79 Periodically ensure the bolts that attach the ROPS to the machine are securely fastened.
- 2.80 Always operate the machine with the ROPS secured in the upright position.
- 2.81 If the surrounding environment (e.g. low-lying limbs, signage, etc.) makes it impossible to mow with the ROPS upright, lower the ROPS at the hinge point, mow the area, then immediately secure the ROPS upright.
- 2.82 Upright ROPS are taller than the operator's head. Be aware of this and your surrounding environment, as referenced above. The mower and operator may clear low-lying items, but the ROPS may not.
- 2.83 Always wear the provided seat belt when ROPS are utilized. Failure to use the seat belt severely handicaps the safety benefits of the ROPS.
- 2.84 In the event of a roll-over, replace the ROPS before resuming use of the machine.



SECTION 3: MOWER OPERATION

Never operate the machine with faulty equipment. Always be alert of sudden changes in landscape, as the mower will react differently on slopes or embankments than it will on flat surfaces. Never operate the mower with the discharge chute open. Do not cross terrain, other than grass, with blades turning. This could cause damage to property or bystanders.

- 3.1 Place parking brake in up position.
- 3.2 Drive arms must be in the "open" position. While sitting on the machine, each arm is positioned away from the operator, to the right and left. Drive arms will lock into place and must be in this position to start machine.
- 3.3 Put PTO switch in the OFF position.
- 3.4 If your machine has been equipped with a ROPS (Roll Over Protection System) then you must fasten seatbelt.
- 3.5 If machine has not been started recently, engage the choke.
- 3.6 Make sure nothing is under or around machine.
- 3.7 Place key in ignition and turn.
- 3.8 Once machine is started, disengage the choke.
- 3.9 Increase RPM by sliding the throttle to fast position, toward the rabbit.
- 3.10 Owners must become familiar with the controls before operating a zero-turn radius vehicle.
- 3.11 Start slowly and build your skill level. Have ample practice before using the machine at full capabilities.
- 3.12 Be comfortable with machine before engaging blades. Know what each component controls before using machine.
- 3.13 Your mower will perform differently on an incline /decline. Be cautious, slow down, and do not make any sudden jerking movements with control arms. The machine could lose traction on a decline or tip backwards on an incline.
- 3.14 Once you become comfortable with your Bad Boy Mower you will notice your overall mowing time will decrease.
- 3.15 Always engage PTO at full throttle.
- 3.16 Start engine with throttle position between half and full throttle.

***Avoid operating your mower on side hills of over 5 degrees,
inclines of over 10 degrees,
and declines of over 15 degrees.***



BAD BOY MOWERS

SECTION 4: MOWER MAINTENANCE

| Maintenance | Interval | | | | | Section |
|---|----------|---------------|-----------------------------|------------------------------|-----------------|------------------------------|
| | Daily | First 8 Hours | Every 50 Hours or Annually* | Every 100 Hours or Annually* | Every 250 Hours | |
| Check and add engine oil | ● | | | | | Section 3 |
| Check all belts for proper alignment | ● | | | | | Section 2 (Pump) 6 (Deck) |
| Check tire pressure and wheel lug nuts | ● | | | | | Section 5 |
| Check battery terminal connections | ● | | | | | Section 4 |
| Check condition of blades | ● | | | | | Section 6 |
| Check for fuel and oil leakage | ● | | | | | Section 3 |
| Check deck and engine compartment for debris and clean as necessary | ● | | | | | |
| Check air filters | ● | | | | | |
| Initial oil change | | ● | | | | Section 3 |
| Tighten nuts and screws | | | ● | | | |
| Change engine oil and filter | | | ● | | | Section 3 |
| Initial change of hydraulic oil and filter | | | ● | | | Section 1 |
| Grease mower | | | | ● | | Section 5 |
| Replace air element and pre-cleaner [♦] | | | | ● | | Section 3 |
| Replace fuel filter [♦] | | | | ● | | Section 3 |
| Clean or replace spark plugs and set gap | | | | ● | | Section 3 |
| Change hydraulic oil and filter | | | | | ● | Section 1 |
| Clean combustion chamber ^{Dealer} | | | | | ● | |
| Check and adjust valve clearance ^{Dealer} | | | | | ● | |
| Clean and lap valve seating surface ^{Dealer} | | | | | ● | |

*Maintenance by hour or annually whichever comes first

♦Check air and fuel filter more often in dusty conditions

^{Dealer}Get maintenance performed at a registered dealership

SECTION 5: MOWER STORAGE & TRANSPORTATION

- 5.1 Keep machine from collecting debris by storing in a covered area while not in use.
- 5.2 Fuel can harm your machine if left for more than 30 days without changing, especially if the fuel contains ethanol. Never use fuel with more than 10% ethanol by volume. E-15 is not permitted.
- 5.3 Disconnect the negative battery cable when machine will be stored for more than 30 days.
- 5.4 Always secure machine properly when transporting machine.
- 5.5 Do not load machine on trailer with blades engaged.
- 5.6 Do not use ramps to load the machine.
- 5.7 Make sure Parking Brake is in "up" position.
- 5.8 In wet conditions tires may spin while loading / unloading. If necessary, wait for dry conditions before loading/unloading.
- 5.9 Make sure mode of transportation is suitable to bear the weight of mower.
- 5.10 Deck height should be set at maximum before attempting to load.
- 5.11 Secure mower with at least two straps capable of securing weight of mower.
- 5.12 Always ensure mower engine and exhaust has cooled prior to parking inside building.



MAINTENANCE LOG

| <i>Date:</i> | <i>Hours:</i> | <i>Performed:</i> |
|--------------|---------------|-------------------|
| <i>Date:</i> | <i>Hours:</i> | <i>Performed:</i> |
| <i>Date:</i> | <i>Hours:</i> | <i>Performed:</i> |
| <i>Date:</i> | <i>Hours:</i> | <i>Performed:</i> |
| <i>Date:</i> | <i>Hours:</i> | <i>Performed:</i> |
| <i>Date:</i> | <i>Hours:</i> | <i>Performed:</i> |
| <i>Date:</i> | <i>Hours:</i> | <i>Performed:</i> |
| <i>Date:</i> | <i>Hours:</i> | <i>Performed:</i> |
| <i>Date:</i> | <i>Hours:</i> | <i>Performed:</i> |
| <i>Date:</i> | <i>Hours:</i> | <i>Performed:</i> |
| <i>Date:</i> | <i>Hours:</i> | <i>Performed:</i> |
| <i>Date:</i> | <i>Hours:</i> | <i>Performed:</i> |
| <i>Date:</i> | <i>Hours:</i> | <i>Performed:</i> |
| <i>Date:</i> | <i>Hours:</i> | <i>Performed:</i> |
| <i>Date:</i> | <i>Hours:</i> | <i>Performed:</i> |
| <i>Date:</i> | <i>Hours:</i> | <i>Performed:</i> |
| <i>Date:</i> | <i>Hours:</i> | <i>Performed:</i> |
| <i>Date:</i> | <i>Hours:</i> | <i>Performed:</i> |
| <i>Date:</i> | <i>Hours:</i> | <i>Performed:</i> |
| <i>Date:</i> | <i>Hours:</i> | <i>Performed:</i> |
| <i>Date:</i> | <i>Hours:</i> | <i>Performed:</i> |
| <i>Date:</i> | <i>Hours:</i> | <i>Performed:</i> |
| <i>Date:</i> | <i>Hours:</i> | <i>Performed:</i> |
| <i>Date:</i> | <i>Hours:</i> | <i>Performed:</i> |
| <i>Date:</i> | <i>Hours:</i> | <i>Performed:</i> |
| <i>Date:</i> | <i>Hours:</i> | <i>Performed:</i> |



SECTION 6: TROUBLESHOOTING

6.1 **Q: *How do I prevent an uneven cutting pattern and increase the quality of cut?***

A: Check tire pressure, check blade sharpness (replace blades or sharpen at least once per year or when needed), make sure blades are tightened properly, check spring and belt tension, check the underside of the deck to ensure the mower deck is free of grass build-up and debris, make sure your machine is at full throttle, and vary your mowing pattern each time you cut your grass.

6.2 **Q: *What should I do if my mower won't start?***

A: Check battery charge and connection (grounds), check your fuel (make sure fuel is less than 30 days old and contains no water), make sure your spark plug is in good condition and spark plug wire is attached, and make sure air filter is clean (a dirty filter makes it more difficult for the engine to draw air). Check the integrity of the 25-amp main fuse; also check for any bare wires and/or bad connections.

6.3 **Q: *What should I do if the blades won't engage?***

A: Make sure the safety switch is plugged in on the bottom of seat. Check the underside of the PTO engager to ensure the plug is secure at switch. Also check PTO fuse underneath operator console (10-amps)

6.4 **Q: *What type of fuel is recommended for my mower?***

A: We recommend that you use a name brand fuel to ensure quality. Use fuel with an octane rating near 87. Higher octane fuels offer no benefit. Only fuels with an ethanol content of 10% or less may be used. By law, E-15 fuel is not permitted. Usage of E-15 will result in premature engine failure.

6.5 **Q: *Do you offer touch-up paint for your mowers?***

A: Touch-up paint is available. Contact your local dealer for more information.

6.6 **Q: *How do I clean my mower?***

A: It is recommended that you use an air hose or blower to remove dust and debris from the mower, to ensure there is not a buildup of grass on the mower deck and engine compartment, which could become a fire hazard. If you must wash the mower, ensure you run the engine to operating temp to dry water and engage the blades to spin off any standing water on the pulleys. Avoid spraying water onto electrical components and bearings, to prevent premature failure of these parts.



BAD BOY MOWERS

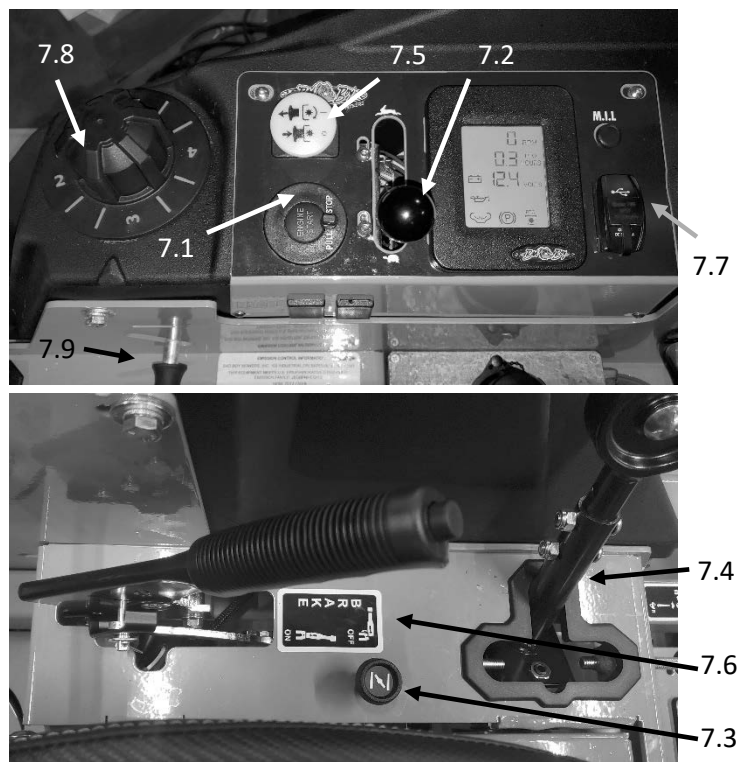
SECTION 7: CONTROLS

- 7.1 **Push Button Ignition Switch:** The Renegade utilizes a key fob insert as well as a push button start feature. To start the mower, fully insert the key fob and press the start button, then release the start button once the engine has started. To stop engine, pull key fob up to first detent. The key fob can be removed as necessary.
- 7.2 **Throttle Control:** A cable is connected to the engine throttle for controlling engine speed. Move lever forward to increase engine rpm, move lever backward to decrease engine rpm.
- 7.3a **Choke Control:** The choke control, located to the left of the operator, is a 'push-pull' type. When the choke knob is pushed in, the choke is in the off (run) position. When the choke is pulled out it is in the on (start) position. **Do not operate the machine in the on (start) position.**
- 7.3b **MIL:** EFI machines contain a malfunction indicator light located in place of the choke control knob. This light indicates a malfunction in the electronic fuel injection system and requires **immediate** dealer service.
- 7.4 **Control Levers:** These levers control the mower's speed, direction, and neutral lock. These levers are used to steer, accelerate, decelerate and change direction.
- 7.5 **Blade Engage Switch:** This switch engages the blades. Pull the switch up to engage the blades and push the switch down to disengage the blades.
- 7.6 **Parking Brake:** This lever engages the parking brake. Pull back fully to engage the parking brake; push forward to disengage.

- 7.7 **USB Charging Port:** Your mower is equipped with a USB charging port for your accessory needs.

- 7.8 **Deck Height Control:** The deck height dial is used to set the cut of the deck.

- 7.9 **Deck Travel Lock:** The deck travel lock holds the deck in a transport position.

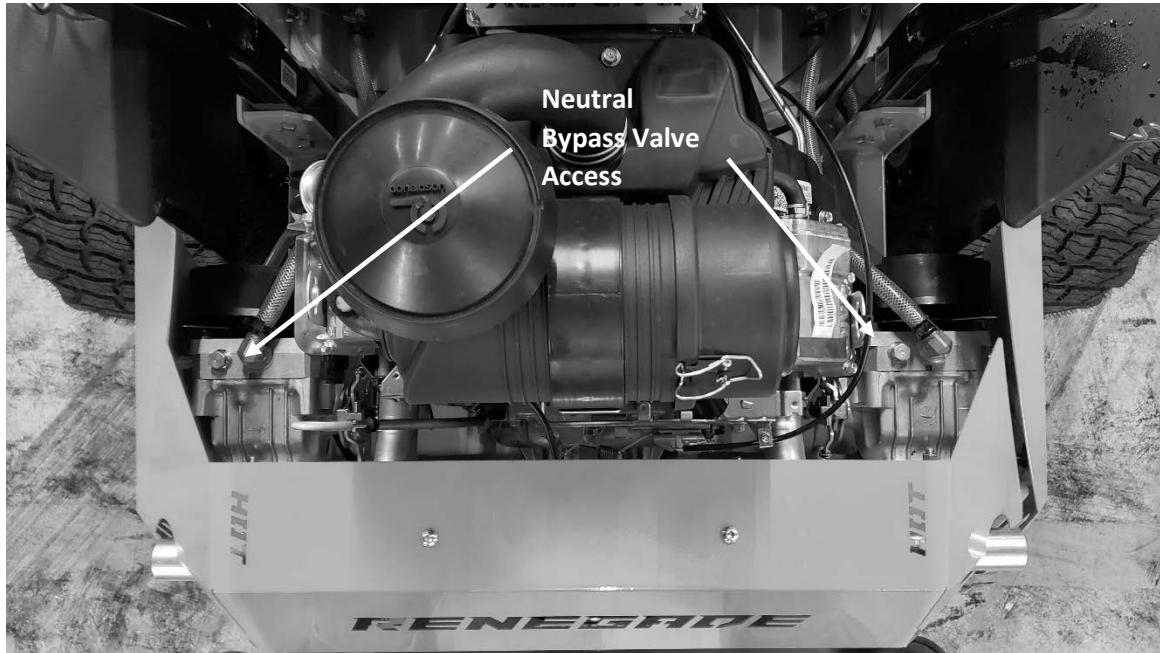




BAD BOY MOWERS

SECTION 8: MOVING INOPERABLE MOWER

- 8.1 Do not tow machine. Use a winch to load on a trailer for transporting.
- 8.2 If it becomes necessary to move an inoperable mower, the drive pumps are equipped with bypass valves that allow the drive tires to rotate freely. These bypass valves are located on top of the pumps. Each require a quarter turn to allow for proper bypass.



Your Bad Boy Mower Weighs: **RENEGADE SERIES: 1535-1595 lbs.**

****Weights fluctuate with the addition of accessories.*

- 8.3 As you can see by the weights of the machines, you shouldn't ever try to push or pull a Bad Boy Mower by hand. This could cause serious bodily injury.
- 8.4 Hopefully, you'll never need to use this section of the manual. However, if you do, use extreme caution when moving machine!

SECTION 9: INSTRUMENTATION

- 9.1 **Digital Display:** The Renegade is equipped with a digital display panel that provides the operator with the following information; Engine RPM, PTO Hours, Engine Hours, Battery Voltage, Engine Oil Pressure, Rider Presence, Drive Arm Neutral Engagement, Parking Brake Engagement, and PTO Engagement.



SECTION 10: MOWER BLADE MAINTENANCE

- 10.1 Check mower blades after each use. This is essential for maintaining well-groomed turf. Keep the blades sharp. If a dull blade is used for cutting, the grass will tear rather than cut. This could damage the grass leaving a brown frayed top on the grass within a few hours. A dull blade will also require more power from the engine.
- 10.2 NEVER attempt to straighten a bent blade by heating. NEVER attempt to weld a cracked blade. The blades can break and cause serious injury or death.
- 10.3 NEVER work with blades while engine is running or deck clutch is engaged.
- 10.4 ALWAYS place deck clutch in DISENGAGE position while performing maintenance.
- 10.5 Use blocks when you MUST work under mower.
- 10.6 ALWAYS wear thick gloves when handling blades.
- 10.7 ALWAYS check for blade damage if mower strikes rock, branch, or other objects that could potentially damage the blade.

***(REMEMBER: NEVER CHECK BLADE WHILE ENGINE IS ON!
NEVER CHECK BLADES WHILE BLADES ARE ENGAGED!)***

SECTION 11: EQUIPMENT LUBRICATION

- 11.1 Park the machine on a level surface and disengage the blade control switch.
- 11.2 Move the motion control levers outward to the neutral position, engage parking brake, stop the engine, remove the key, and wait for all moving parts to stop before leaving the operating position.
- 11.3 Grease Type: NLGI grade #2 multi-purpose gun grease.
- 11.4 Clean the grease fittings with a cloth. Scrape any paint off the front of the fitting(s).
- 11.5 Connect a grease gun to each fitting. Pump grease into the fitting until grease seepage is observed. Be mindful of over-pressurization. Do not force the lever arm if there is strong back pressure as this can lead to reduced life of the component(s). Wipe up excess grease.
- 11.6 Refer to service manual section for grease fitting locations.



HOW TO CHOOSE THE RIGHT BLADE

Essentially there are only TWO basic styles of mowing blades used or approved for use on our current products:

1. The standard style of mowing blade is essentially designed for cutting grass and effectively discharging the clippings out from the deck to fall onto the lawn or to be captured in a grass collection system. Standard blades are also referred to as “2-in-1” (discharging & bagging) or “high-lift” blades (because they are designed to create a higher-lifting airflow).
2. Mulching blades generally have a more curved style surface and frequently include extra cutting surfaces along the blade edges. These blades may also come in a “+” design (which is actually two individual blades arranged in a perpendicular fashion to enhance mulching). The “+” blades are usually found on older style mowers; newer ones utilize blades with more advanced mulching technology. Mulching blades may also be referred to as “3-in-1” (mulching, discharging & bagging) or “all-purpose” blades.

Bear in mind that the re-circulating airflow design of 3/1 blades makes them less efficient at discharging grass clippings than a standard 2/1 blade. As with most all-purpose tools, there is some give and take as opposed to using a tool designed for a more specific purpose.

If you're experiencing less-than-desired cutting or discharging performance with a 3/1 blade, you may want to check into using a 2/1 blade. Conversely, if you're using a 2/1 blade and want to mulch clippings, you should see about the availability of mulching blades or a mulching kit. *

The type of blade installed on a new mower is a decision the retailer makes for each model of mower, based on the expected needs of most customers. If you're unsure of which blade is on a particular model, inspect the blade. Blades have part numbers stamped into them. Then compare these part numbers with the unit's Operator's Manual or Parts List.

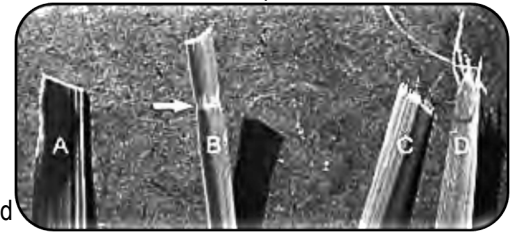
It is true there are many other styles of blades available. But since we don't manufacture or recommend using these other aftermarket styles, we will leave them out of this discussion. Should you want more information on special application or aftermarket blades, you should contact the companies that make these products. NOTE: Customers using non-OEM blades do so at their own risk. The use of unapproved (non-OEM) blades may void any or all of the mower and engine factory warranties.

* **MULCHING KITS** – These generally consist of mulching blades and a mulching plug (which closes off the discharge opening to keep the clippings contained under the deck for re-cutting) plus any necessary hardware for installation. Please check with your parts distributor regarding the contents of a particular mulching kit.



MOWING TIPS:

- Mow header strips at the ends of the lawn and around flower beds first. Make them wide enough that you can turn the mower around in the already mown section. Then mow back and forth between these header strips overlapping each lap by about 1/8 the width of the mower's deck.
- Don't cut your grass too short, particular for cool season grasses. Higher heights usually provide for a deeper root system, looks better, and is less likely to have weeds invading, particularly crabgrass.
- Don't remove any more than one third of the grass leaf at any one cutting. If circumstances arise that a lawn gets too tall and you just have to lop off a bunch to get caught up, bite the bullet and break it down into several mowings to get caught up with 3 or so days between cuttings.
- NEVER SCALP YOUR LAWN.** Scalping severely damages the root system to such a degree that it may die.
- Avoid mowing when the grass is wet or when it's dark
- Avoid throwing grass clippings into the street and driveway where they can be washed into the sewer system. After mowing, clean up driveway and walkways.
- When mowing remove only a third with each cutting (except for the first mowing of the season when it's ok to remove more). You can safely leave clippings that will quickly decompose and add nutrients back into the soil. Contrary to popular opinion, grass clippings do not add to thatch buildup. Grass blades are made up of about 75% water.
- Mow your lawn in a different direction with each mowing, especially with lawns of shorter grass types. Altering the direction ensures a more even cut since grass blades will grow more erect and less likely to develop into a set pattern.
- Keep your mower's blade sharp, which means having it sharpened several times during the mowing season. Keep several blades around so you'll always have a sharp one on hand. Sharp blades cut the grass cleanly and help mulch clippings into small pieces which break down quickly.
- Don't forget to change your mower's oil at least once during the mowing season. For brand new mowers, change the oil after about 5 hours of operation during the initial break-in period.
- At the end of the mowing season use a fuel stabilizer in the remaining gasoline
- In the spring, don't use that old gas unless you properly used a fuel stabilizer, it can cause a number of problems. Better to use fresh gasoline to begin the new mowing season.
- Leaf blade A** demonstrates what a leaf blade should look like after mowing with a sharp blade.
- Leaf blade B** demonstrates a leaf blade that was injured by a dull mower blade.
- Leaf blade C** was cut by the mower but indicates that the mower blade is not sharp enough. The shredded white tissue protruding from the leaf blades C and D is the vascular tissue of the plant.
- Leaf blade D** has been mown for quite some time with a dull mower blade. The leading edge of the blade enclosure is equipped with an adjustable guard. When the guard is set to a higher position, it allows incoming grass to remain in a more upright position just prior to being cut. The result is a higher quality cut,



TO BAG OR TO MULCH?

Grass clippings do not contribute to thatch buildup or increase the chances of disease. If you mow your lawn at the right height, without removing any more than 1/3 of its total height, clippings will quickly breakdown without a trace. These clippings contribute additional nitrogen and other nutrients to the soil and supply it with additional organic materials. Clippings from a 1000 sq. ft. lawn can add as much as 1 - 2 pounds of nitrogen back into the soil. If you have a compost pile, then you may want to bag your clippings occasionally to add much needed green-matter to the compost pile. Make sure it is mixed thoroughly with brown matter to avoid a strong ammonia odor. **DO NOT COMPOST CLIPPINGS** after applying any weed control or weed-feed type product. Before adding clippings to the compost pile wait at least 3 mowings after these products have been applied.



SERVICE SECTION

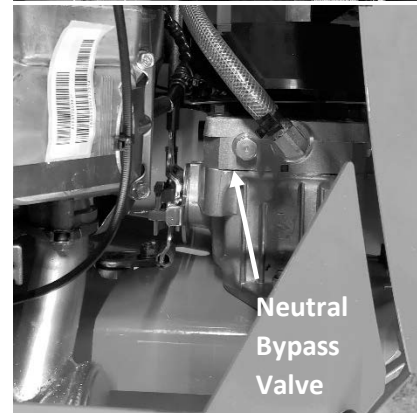
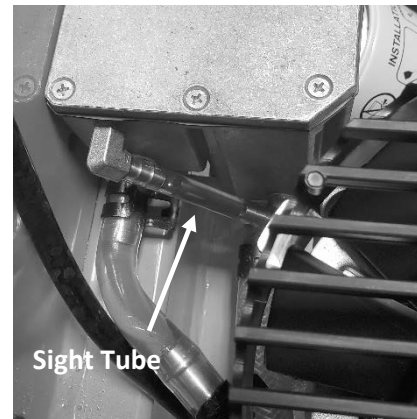
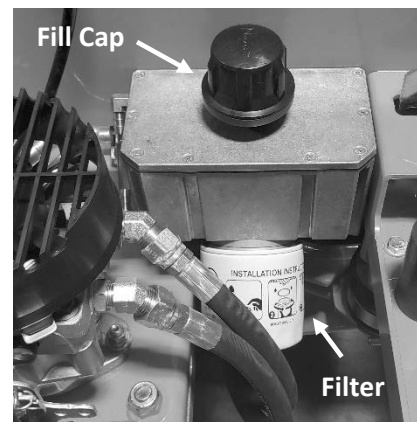
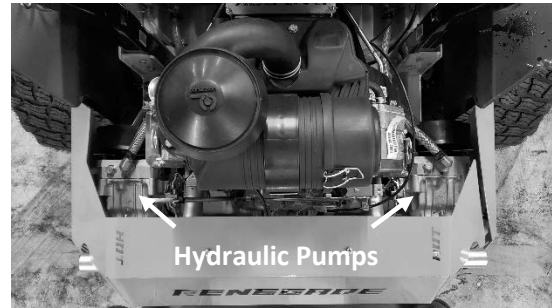
SECTION 1: HYDROSTATIC SYSTEM

The hydro reservoir tank on the Outlaw Renegade model is located just behind the seat, on each side of the frame. There is a sight tube on the rear of the tank that indicates the current hydraulic oil level. The oil level should be filled until the level reaches the bottom of the upper fitting. Do not overfill. If an air bubble is present in the tube, add oil until the level reaches the fitting and the air bubble is no longer visible. Use only 20W-50 motor oil in this tank. Conventional or synthetic oil may be used. Bad Boy Hydrostatic Oil is recommended. Bad Boy recommends that the hydraulic oil and filters be changed within the first 50 hours of use; then at intervals of 250 usage hours. It is also recommended to use Bad Boy replacement filters. Use of any filter not designed for this application could result in damage of the hydraulic system and void the warranty. Each side requires approximately two quarts of oil to refill the system.

THE FOLLOWING MAINTENANCE IS TO BE PERFORMED ON A LEVEL SURFACE.

CHANGING YOUR HYDRAULIC OIL AND FILTER

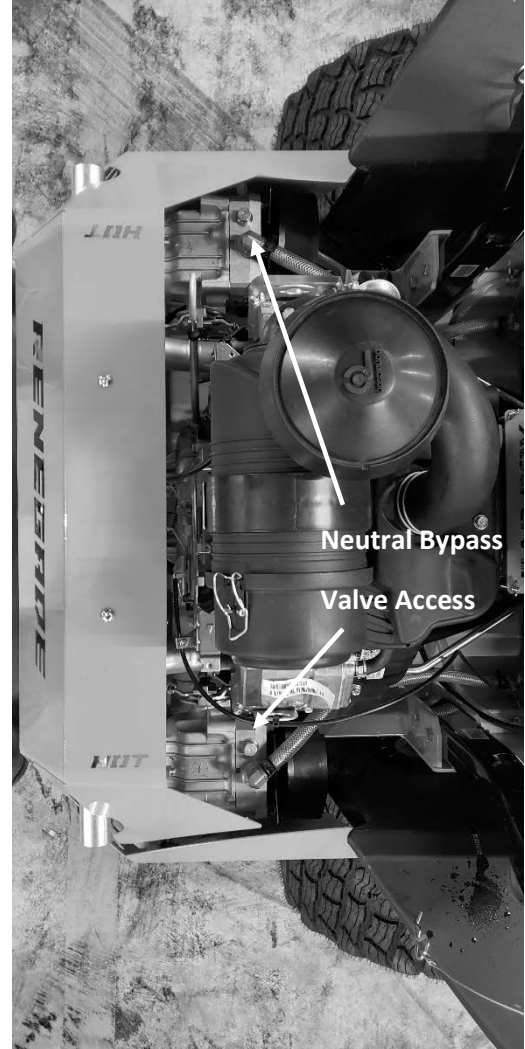
1. Place an oil drain pan (12" or more in diameter and 8 qt. capacity is optimal) beneath the oil filter. Remove the oil filter from the oil reservoir to drain the oil.
2. After the oil has drained from the reservoir, install new oil filter. Tighten $\frac{3}{4}$ turn past gasket contact.
3. Fill the reservoir with new 20W-50 motor oil through the fill cap. The oil level should be filled until the level reaches the bottom of the upper fitting. Do not overfill. If an air bubble is present in the tube, add oil until the level reaches the fitting and the air bubble is no longer visible.
4. Drain the old oil filter of all free-flowing oil prior to disposal. Place used oil in appropriate containers and deliver to an approved recycling collection facility.
5. Proceed to the purge procedure.



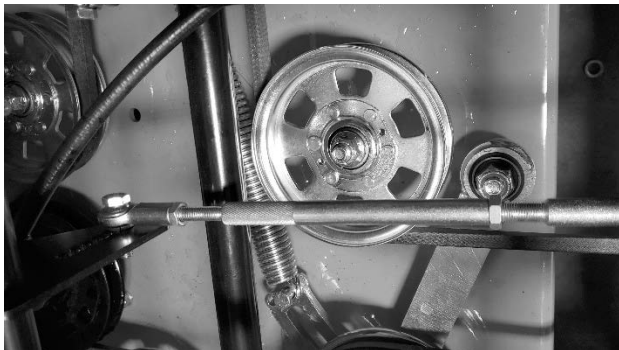
PURGING PROCEDURE

Due to the effects air has on the efficiency in hydrostatic drive applications, it is critical that the air is purged from the system. These purge procedures should be implemented any time a hydrostatic system has been opened to facilitate maintenance or any additional oil has been added to the system.

1. Lift the rear tires of the mower off of the ground and chock your front tires so they do not move.
2. With the bypass valve open (To open bypass valve, loosen $\frac{1}{2}$ to 1 full turn) and the engine running, slowly move the directional drive arms in the forward and reverse directions (5 to 6 times), as air is purged from the unit, the oil level will drop.
3. With the bypass valve closed and the engine running, slowly move the directional drive arms in the forward and reverse directions (5 to 6 times). Caution: the tires will rotate during this procedure. Turn off engine. Check the oil level, and add oil as required after stopping the engine.
4. It may be necessary to repeat steps 1 through 3 until all the air is completely purged from the system. When the tires move forward and reverse at normal speed purging is complete.



To adjust the tracking on the mower, lengthen or shorten the push rods shown in the picture to the right. Lengthening the push rod will increase the speed of the pump. Shortening the push rod will decrease the speed of the pump. On-the-fly adjustments can be made by turning the adjustment knob in front of either steering arm until the desired effect is achieved.





SECTION 2: DRIVE BELT

The Renegade drive belt utilizes a two-belt system with auto adjusting tensioners. Under normal circumstances no adjustments are needed, however in the event that any adjustments are needed, the tensioners can be moved up or down in their mounting position. The use of a 3/8 ratchet and short extension may be required for installation or removal of a drive belt.



To access the rear of the pump plate, loosen the nuts holding the rear cover in place 1 ½ turns using a 9/16 wrench. Once loosened slide the rear cover rearward until it stops. Then the rear cover will pivot down giving access to the pump belts, clutch, and oil filter.



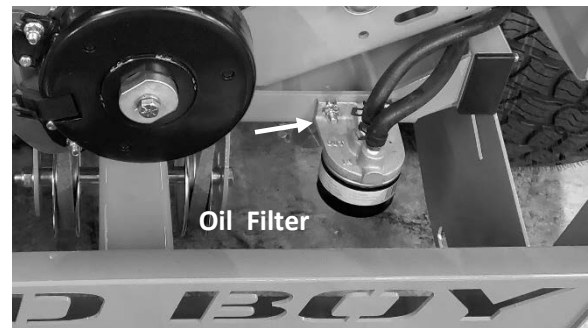
SECTION 3: ENGINE

The oil drain is located on the left of the engine block. Bad Boy recommends that the engine oil and filter be changed after the initial 8hrs of break in. After the initial engine oil service, Bad Boy recommends changing the engine oil and filter every 50 hours of use or once annually whichever comes first. Please refer to the engine owner's manual for oil capacity. Bad Boy 10W-30 synthetic blend engine oil is recommended for maximum protection.



CHANGING YOUR ENGINE OIL AND OIL FILTER

1. Place an oil drain pan (12" or more in diameter and 8 qt. capacity is optimal) beneath the oil filter and oil drain. Remove oil drain plug and allow oil to drain completely.
2. The oil filter is located on the rear of the frame. Clean area around oil filter. Remove oil filter and clean sealing surface. Lubricate oil filter seal. Install new oil filter and tighten $\frac{3}{4}$ turn past gasket contact.
3. Fill crankcase with approximately 2 quarts of new oil (this may vary slightly between engine manufactures). Level should reach top of indicator on dipstick.
4. Start engine; check for oil leaks. Stop Engine; correct oil leaks if present. Recheck oil level.
5. Dispose of used oil and filter in accordance with local ordinances.

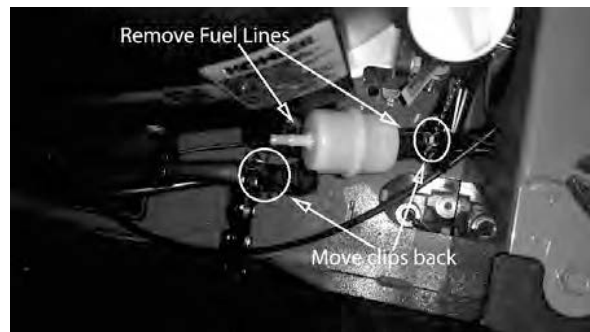
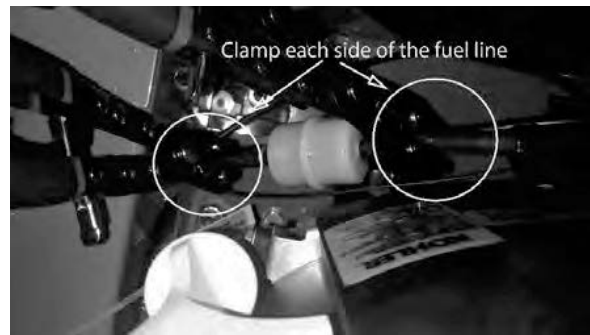


Fuel System

Replace the fuel filter annually. Prior to the removal of the old filter, note the direction of fuel flow as indicated on the filter. Have towels readily available in order to quickly remove any fuel leakage. Always use new hose clamps and ensure the security of the new filter by lightly pulling on each hose. Always perform maintenance outdoors or in a well-ventilated area. Do not smoke or allow any open flames in the vicinity of any maintenance activities.

CHANGING YOUR FUEL FILTER

1. Locate your fuel filter and mark the direction it is facing.
2. Pinch each side of the fuel filter to minimize any gas spills.
3. Remove the clamp from each side of the fuel filter and remove the fuel filter.
4. Place the new fuel filter in the same direction as the old and position clamps back into place.
5. Un-pinch fuel lines.



Air Cleaner

The air cleaner is the engine's only defense against damaging foreign particles. It is very important that the air cleaner element is inspected prior to each use. Remove the element and tap its sides in order to remove debris. Do not blow the filter out using compressed air. Doing so will greatly reduce the air cleaner's effectiveness. Replace yearly; more often in dusty environments. Adhering to these practices will help prevent loss of power and premature engine failure.



CHANGING THE AIR CLEANER

1. Locate the air filter and unbuckle both of the air filter cover latches.
2. Remove the cover and take out the outer white element and the inner blue element (if equipped).
3. Clean or replace elements.
4. Reattach the cover.



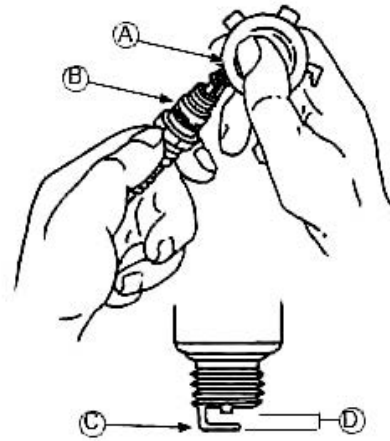
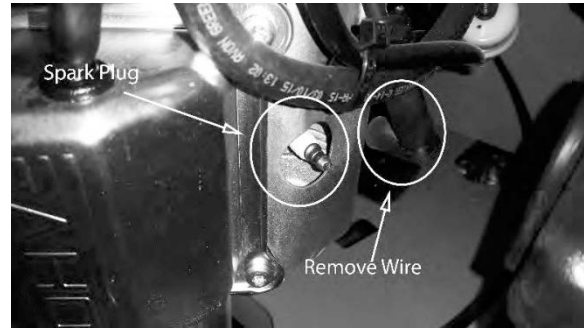


BAD BOY MOWERS

Spark Plugs

CHANGING THE SPARK PLUGS AND CHECKING THE SPARK PLUG GAP

1. Remove the wire on the spark plug and use a 5/8" socket to remove the spark plug.
2. Check the gap on the spark plug to verify that it is 0.03 in using a feeler gauge.
3. If the spark plug is worn, overheated, wet or carbon fouled replace the spark plug.
4. Install the plug into cylinder head and torque to 20 ft.-lbs. Be careful not to overtighten the spark plug.



| | | | |
|---|------------------|---|------------|
| A | Wire Gauge | B | Spark Plug |
| C | Ground Electrode | D | Gap |



BAD BOY MOWERS

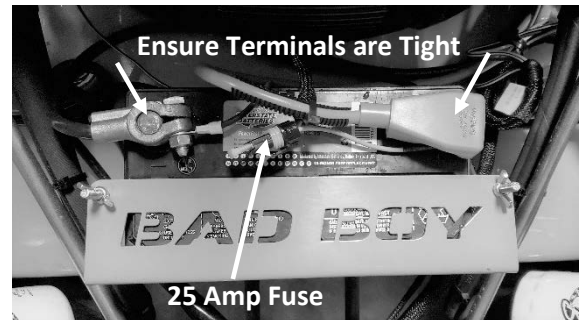
SECTION 4: ELECTRICAL SYSTEM

This mower is equipped with one protective fuse: a 25-amp main fuse (pictured to the right).

A blown fuse usually indicates a problem within the electrical system or an electrical component. Ensure the battery terminals are tightly fastened. Never replace a fuse with one of a higher amperage rating or 'bypass' a fuse in any way. Doing so creates a significant fire hazard and can cause severe damage to the mowers electrical components. If a fuse is repeatedly blowing, contact your Bad Boy dealer.

On most models, the red wire coming out of the engine is the charging wire from the alternator. Check for 13.6 - 14.2 volts dc at this wire with engine at full throttle.

If you are having issues starting your mower ensure the signal wire is connected to your starter solenoid.

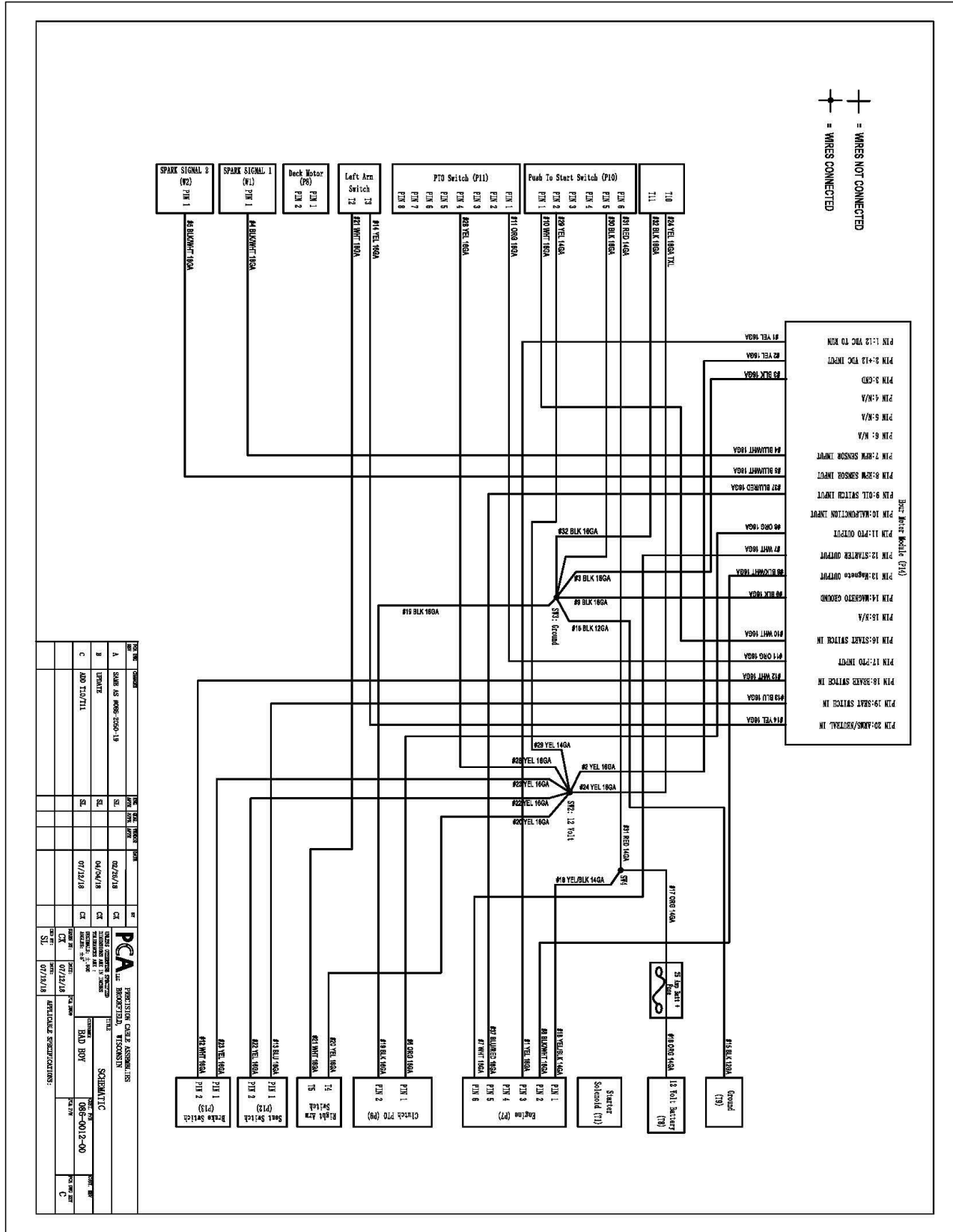




BAD BOY MOWERS

ELECTRICAL SYSTEM (CONTINUED)

WIRING DIAGRAM



| REV | DATE | DESCRIPTION | BY | CHK | DATE |
|-----|----------|-------------|----|-----|------|
| A | 06/06/18 | 06/06/18 | SI | SI | |
| B | 06/06/18 | 06/06/18 | SI | SI | |
| C | 07/12/18 | 07/12/18 | SI | SI | |

PCA
 IMPECTION CLAR ASSURANCE
 111 BROADFIELD, WISCONSIN
 WISCONSIN 53188-2501
 TEL: 262-358-8000
 FAX: 262-358-8001
 WWW.PCA-USA.COM

SCHEDULE C
 BAD BOY
 086-0012-00
 REV: 1
 DATE: 07/12/18
 BY: [Signature]
 CHECKED: [Signature]
 APPROVED: [Signature]

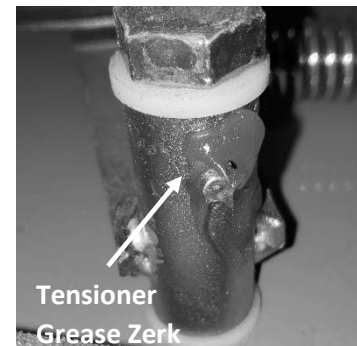
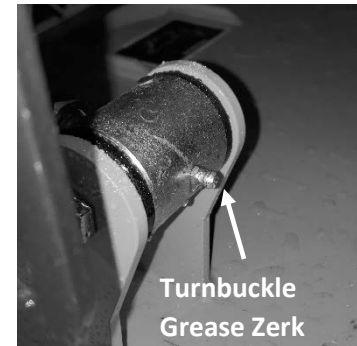
ARTICLE SPECIFICATIONS:

| | | |
|-----|----------|-------------|
| REV | DATE | DESCRIPTION |
| 1 | 07/12/18 | |

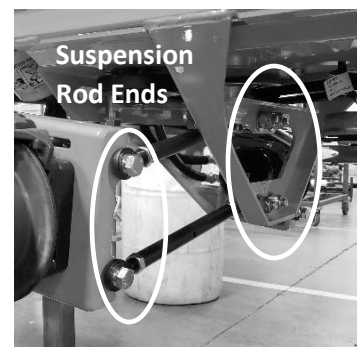
SECTION 5: FRAME

Frame Component Maintenance

1. Torque rear wheel lugs to 65-75 ft. lbs. Re-torque at every oil change.
2. There are two grease zerks located on each of the two deck locating turnbuckles (4 Total). Grease at every oil change.
3. The pump belt tensioner is located under the engine and has a grease fitting at its pivot point. Grease at every engine oil change.
4. The control arm blocks have grease fittings located on each side of the steering arm bar. Grease at every engine oil change.



5. There are 10 spherical rod ends located in the rear suspension system that do not require adjustment, but do require periodic cleaning and lubrication. Bad Boy recommends using a spray lubricant on these joints. Do this at every oil change and once annually.





SECTION 6: CUTTING DECK

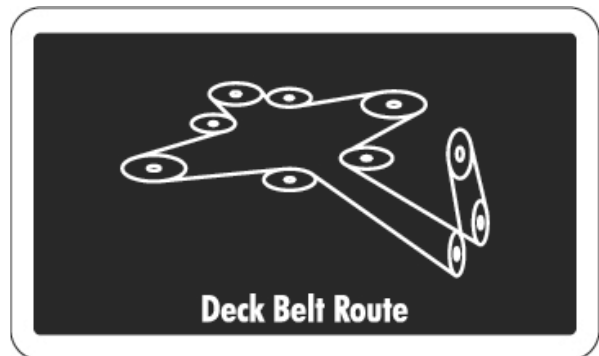
DECK BELT REMOVAL

1. Remove ignition fob.
2. Raise the deck to its highest position.
3. Remove the left pulley cover.
4. While lifting up on the belt (as shown in the photograph), rotate the pulley until the belt is free of the pulley. Exercise caution while performing this step as fingers can easily become caught between the belt and pulley.



DECK BELT INSTALLATION

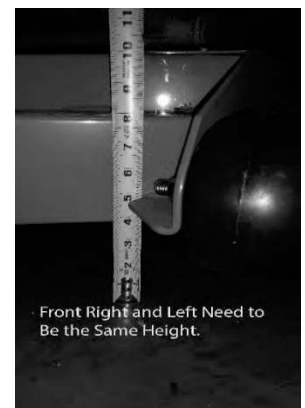
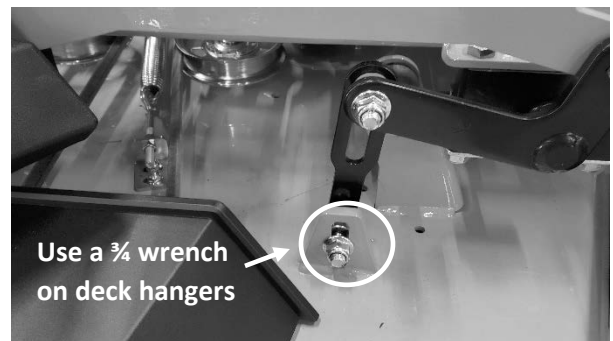
1. Remove ignition fob.
2. Raise the deck to its highest position.
3. Remove both pulley covers and route the belt by following the belt route decal. Rolling the belt onto the left spindle pulley is the easiest method of reinstalling the belt.
4. Verify that the belt is routed properly as improper routing can damage the spindles as well as the engine.





LEVELING THE DECK

1. Start on a flat, level surface and set the air pressure in the front tires to 12 psi. and 8 psi. in the rear. Measure the deck at all four corners. The deck should be level from left to right but 1/4" lower in the front than in the rear. Adjustments can be made by adjusting the deck hangers in their slots.
2. Using a pair of approximately 3 ft. long 2x4's, stand the boards on edge and slide them under the deck from front to back as shown.
3. Lower the deck down onto the 2x4's using either the deck lift pedal or the electric actuator, whichever your mower is equipped with. The deck should now be approximately 3.5" off the ground. To achieve the proper 1/4" pitch down in the front it may be necessary to use some 1/4" spacers under the rear of the deck as shown.
4. Using a pair of 3/4" wrenches, loosen all deck hanger bolts on the top of the deck. These are the lower bolts in the slots of the deck as shown. Do not loosen the upper bolts that attach the deck hangers to the actuator lift bars. Your mower is also equipped with a deck lift assist. This will cause the actuator bars to lift on their own once all the deck hangers have been loosened. If this happens, it may be necessary to remove the deck lift assist shock from the mower, otherwise it may be difficult to manually overpower the force of the lift shock.
5. The deck is now loose from the frame and movement of the lift pedal or electric actuator should only move the hanger bolts up and down in the deck slots. At this point a different deck height may be chosen on the cutting height dial. Choosing a lower number will raise the decks cutting height. Choosing a higher number will decrease the decks overall cutting height. Remember, you should be approximately in the 4" range on your selection.
6. After setting the deck dial to the desired position and securing the lift pedal rearwards until it stops, tighten all deck hanger bolts in their slots starting from the rear of the deck then moving to the front. Lift the deck to the highest position. measure all four corners of the deck again to ensure that no further adjustments are necessary.
7. Recheck belt tension before mowing.





BAD BOY MOWERS

ADJUST DECK BELT TENSION

The deck spring tension is critical. If the tension is too high, premature failure of the deck belt and blade spindles can occur. If the tension is too low, the belt can "jump off" or slip on the pulleys. This results in reduced cut quality and early belt failure.

Spring tension adjustments can be made by sliding the bolt shown above forward or backward in the slot of the deck. Belt tension should be 60-65 lbs. with the deck at its lowest setting.

Use a belt tension gauge to ensure the proper tension. Your dealer or service center will have a belt tension

gauge or you can buy one (Part Number 041-9999-00).



BLADE SHARPENING

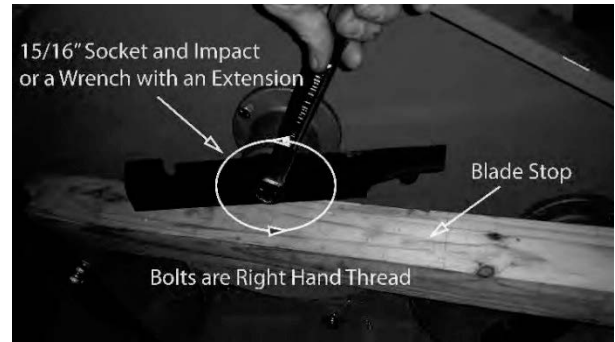
The blade on the top (see photo) was utilized long after replacement was required. In addition to a decline in cut quality, failure to replace a worn or damaged blade creates a major safety hazard. Bad Boy recommends that blade sharpening be performed by a professional.





BLADE REMOVAL

To change blades, it may be easier to use a piece of wood to keep the blade from turning so that the bolt can be loosened. Use a 15/16" socket and impact drill, or a wrench and an extension to gain more leverage.



Re-torque the blade bolts to 90-110 lbs.

The blade spindles contain a sealed ball bearing inside the top and bottom of the spindle. The bearings are replaceable for a more cost-effective repair.

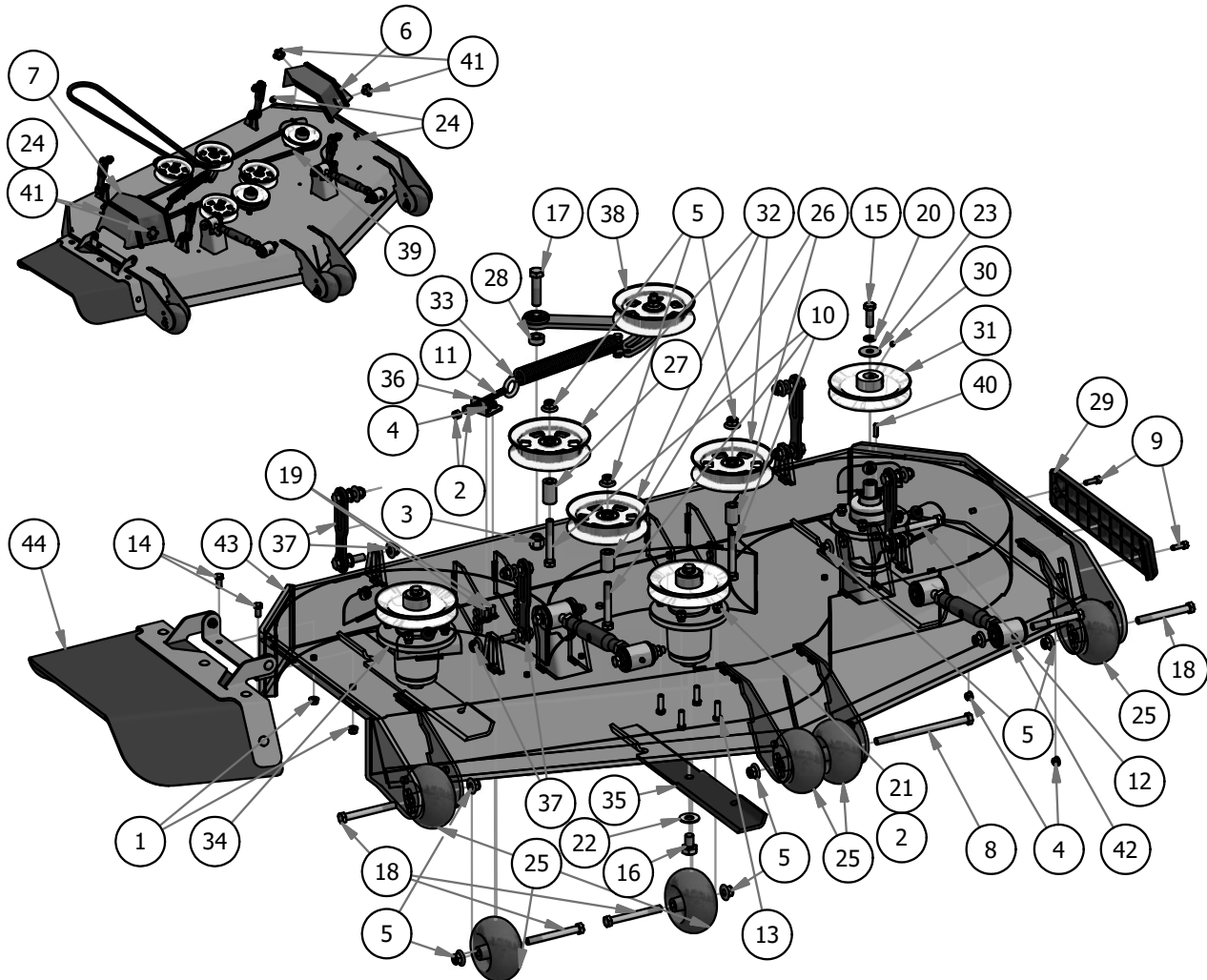




BAD BOY MOWERS

PARTS SECTION: 61" DECK ASSEMBLY

| Parts List | | | | Parts List | | | |
|------------|-----|-------------|--|------------|-----|-------------|---------------------------------------|
| ITEM | QTY | PART NUMBER | DESCRIPTION | ITEM | QTY | PART NUMBER | DESCRIPTION |
| 1 | 2 | 013-5201-00 | 3/8" Flange Nut | 23 | 3 | 019-6020-00 | 1/2" Belleville Washer |
| 2 | 14 | 013-6014-00 | 3/8" Hex Nut | 24 | 4 | 019-6050-00 | .360 ID Plastic Washer-Black |
| 3 | 1 | 013-7021-00 | 5/8 Std NC Nylock Nut | 25 | 6 | 022-1001-00 | 2019 Deck Wheel |
| 4 | 4 | 013-8049-00 | 5/16" Nylon Flange Nut | 26 | 2 | 025-5338-00 | .502 ID X .750 OD X 1.500 Long Spacer |
| 5 | 12 | 013-8050-00 | 1/2-13 Nylon Flange Nut | 27 | 1 | 025-5339-00 | 1 3/4" Pulley Spacer |
| 6 | 1 | 014-5052-00 | 2019 61" Outlaw Gen2 Pulley Cover Left | 28 | 1 | 025-7020-00 | 5/8" x 1" Collar W/One Set Screw |
| 7 | 1 | 014-5053-00 | 2019 61" Outlaw Gen2 Pulley Cover Right | 29 | 1 | 029-7036-00 | REVISED TRIM BUMPER_20180226 |
| 8 | 1 | 018-0046-00 | 1/2-13 x 8 Hex Bolt Grade 5 | 30 | 3 | 030-0050-00 | 5/16 Set Screw |
| 9 | 2 | 018-2007-00 | 5/16-18 x 1 GR 5 Hex Bolt Zinc | 31 | 3 | 033-6004-00 | 6 1/4" Drive Pulley |
| 10 | 3 | 018-2018-00 | 1/2 x 3 1/2 Flange Bolt Grade 8 | 32 | 3 | 033-7201-25 | 5-3/4 Idler Pulley |
| 11 | 1 | 018-4707-00 | 4" 3/8-16 Eye Bolt | 33 | 1 | 034-2030-00 | 2019 Outlaw Gen2 Deck Spring |
| 12 | 4 | 018-5019-00 | 1/2" x 4" Bolt (Grade 8) | 34 | 3 | 037-4000-00 | OUTLAW SPINDLE ASSEMBLY |
| 13 | 12 | 018-5040-00 | 3/8" x 1 1/4" Hex Bolt | 35 | 3 | 038-6080-00 | 61 inch Fusion Blade |
| 14 | 2 | 018-5250-00 | 3/8" x 3/4" Hex Bolt | 36 | 1 | 039-0144-00 | 2019 Deck Eye Bolt Tab |
| 15 | 3 | 018-6019-00 | 1/2"-20 x 1 1/2 - Grade 5 Fine Thread Bolt | 37 | 4 | 039-2125-17 | Deck Hangar Assembly |
| 16 | 3 | 018-6020-00 | 5/8" x 1 1/2" Grade 8 Hex Bolt (Fine) | 38 | 1 | 039-6946-17 | 2019 Renegade Deck Idler |
| 17 | 1 | 018-6059-00 | 5/8" x 2 1/2" Grade 5 Hex Bolt (Coarse) | 39 | 1 | 041-0222-00 | Deck Belt for 61" Renegade |
| 18 | 4 | 018-7050-00 | 1/2" x 4 1/2" Bolt | 40 | 3 | 042-6030-00 | 1/4" x 1" Key |
| 19 | 2 | 018-8066-00 | 5/16" x 7/8" Carriage Bolt | 41 | 4 | 045-6043-00 | 5/16" Knob |
| 20 | 3 | 019-5007-00 | 1/2" Lock Washer | 42 | 2 | 048-7000-00 | Turnbuckle |
| 21 | 12 | 019-5037-00 | 3/8" Lock Washer | 43 | 1 | 060-6151-19 | 2019 Sloped 61" Deck |
| 22 | 3 | 019-5038-00 | 5/8" Flat Washer | 44 | 1 | 210-7000-98 | 2019 Outlaw Gen2 Chute Assembly |

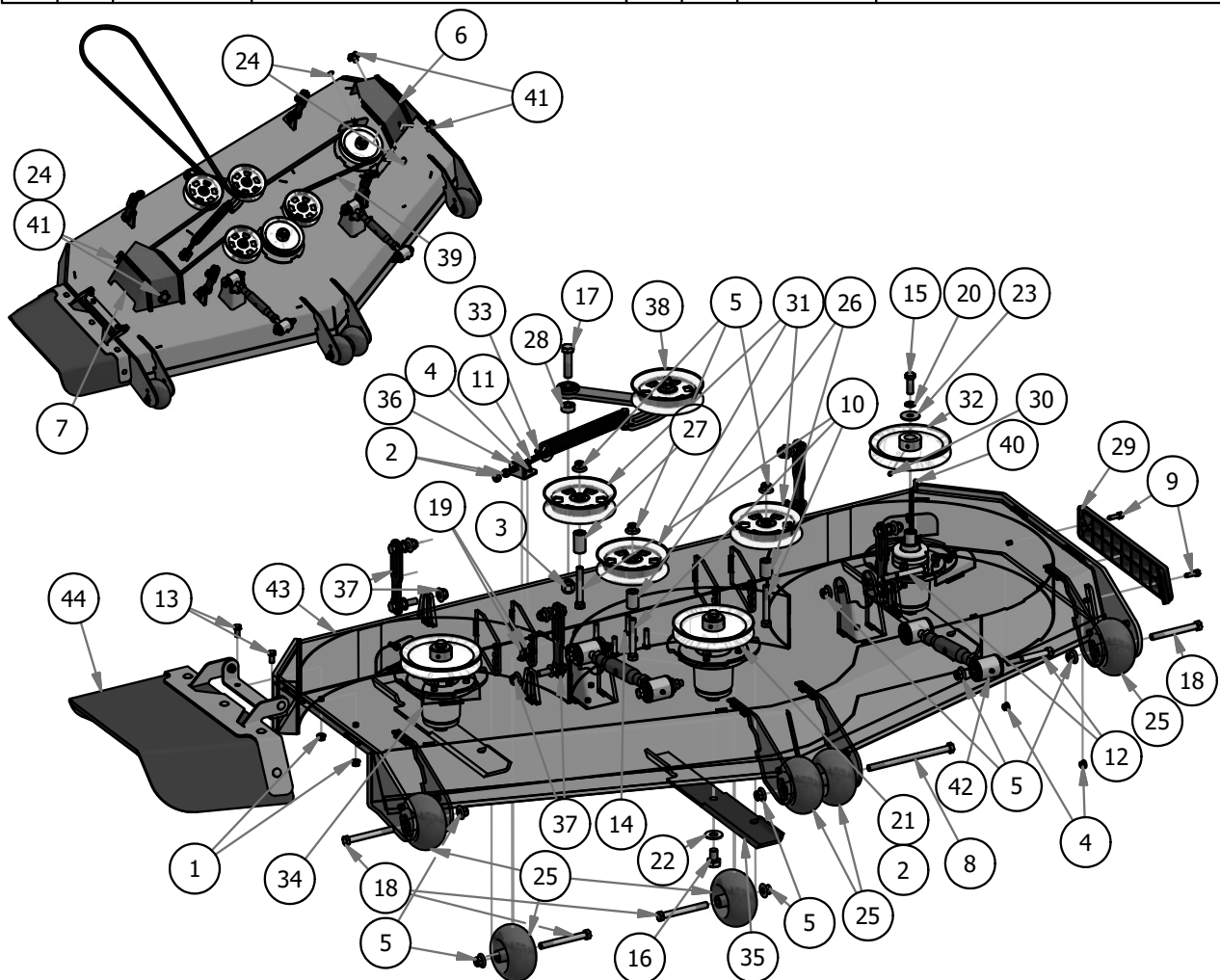




BAD BOY MOWERS

PARTS SECTION: 72" DECK ASSEMBLY

| Parts List | | | | Parts List | | | |
|------------|-----|-------------|---|------------|-----|-------------|---------------------------------------|
| ITEM | QTY | PART NUMBER | DESCRIPTION | ITEM | QTY | PART NUMBER | DESCRIPTION |
| 1 | 2 | 013-5201-00 | 3/8" Flange Nut | 23 | 3 | 019-6020-00 | 1/2" Belleville Washer |
| 2 | 14 | 013-6014-00 | 3/8" Hex Nut | 24 | 4 | 019-6050-00 | .360 ID Plastic Washer-Black |
| 3 | 1 | 013-7021-00 | 5/8 Std NC Nylock Nut | 25 | 6 | 022-1001-00 | 2019 Deck Wheel |
| 4 | 4 | 013-8049-00 | 5/16" Nylon Flange Nut | 26 | 2 | 025-5338-00 | .502 ID X .750 OD X 1.500 Long Spacer |
| 5 | 12 | 013-8050-00 | 1/2-13 Nylon Flange Nut | 27 | 1 | 025-5339-00 | 1 3/4" Pulley Spacer |
| 6 | 1 | 014-5054-00 | 2019 72" Left Outlaw Gen2 Pulley Cover | 28 | 1 | 025-7020-00 | 5/8" x 1" Collar W/One Set Screw |
| 7 | 1 | 014-5055-00 | 2019 72" Right Outlaw Gen2 Pulley Cover | 29 | 1 | 029-7036-00 | REVISED TRIM BUMPER_20180226 |
| 8 | 1 | 018-0046-00 | 1/2-13 x 8 Hex Bolt Grade 5 | 30 | 3 | 030-0050-00 | 5/16 Set Screw |
| 9 | 2 | 018-2007-00 | 5/16-18 x 1 GR 5 Hex Bolt Zinc | 31 | 3 | 033-7201-25 | 5-3/4 Idler Pulley |
| 10 | 3 | 018-2018-00 | 1/2 x 3 1/2 Flange Bolt Grade 8 | 32 | 3 | 033-7203-00 | 7" Deck Pulley |
| 11 | 1 | 018-4707-00 | 4" 3/8-16 Eye Bolt | 33 | 1 | 034-2030-00 | 2019 Outlaw Gen2 Deck Spring |
| 12 | 4 | 018-5019-00 | 1/2" x 4" Bolt (Grade 8) | 34 | 3 | 037-4000-00 | OUTLAW SPINDLE ASSEMBLY |
| 13 | 2 | 018-5250-00 | 3/8" x 3/4" Hex Bolt | 35 | 3 | 038-7230-00 | 72" High Lift Fusion Blade |
| 14 | 12 | 018-6012-00 | 3/8 x 1.5" Bolt | 36 | 1 | 039-0144-00 | 2019 Deck Eye Bolt Tab |
| 15 | 3 | 018-6019-00 | 1/2"-20 x 1 1/2" - Grade 5 Fine Thread Bolt | 37 | 4 | 039-2125-17 | Deck Hangar Assembly |
| 16 | 3 | 018-6020-00 | 5/8" x 1 1/2" Grade 8 Hex Bolt (Fine) | 38 | 1 | 039-6946-17 | 2019 Renegade Deck Idler |
| 17 | 1 | 018-6059-00 | 5/8" x 2 1/2" Grade 5 Hex Bolt (Coarse) | 39 | 1 | 041-2375-00 | Belt for 72" Renegade |
| 18 | 4 | 018-7050-00 | 1/2" x 4 1/2" Bolt | 40 | 3 | 042-6030-00 | 1/4" x 1" Key |
| 19 | 2 | 018-8066-00 | 5/16" x 7/8" Carriage Bolt | 41 | 4 | 045-6043-00 | 5/16" Knob |
| 20 | 3 | 019-5007-00 | 1/2" Lock Washer | 42 | 2 | 048-7000-00 | Turnbuckle |
| 21 | 12 | 019-5037-00 | 3/8" Lock Washer | 43 | 1 | 060-7251-19 | 2019 Sloped 72" Deck |
| 22 | 3 | 019-5038-00 | 5/8" Flat Washer | 44 | 1 | 210-7000-98 | 2019 Outlaw Gen2 Chute Assembly |

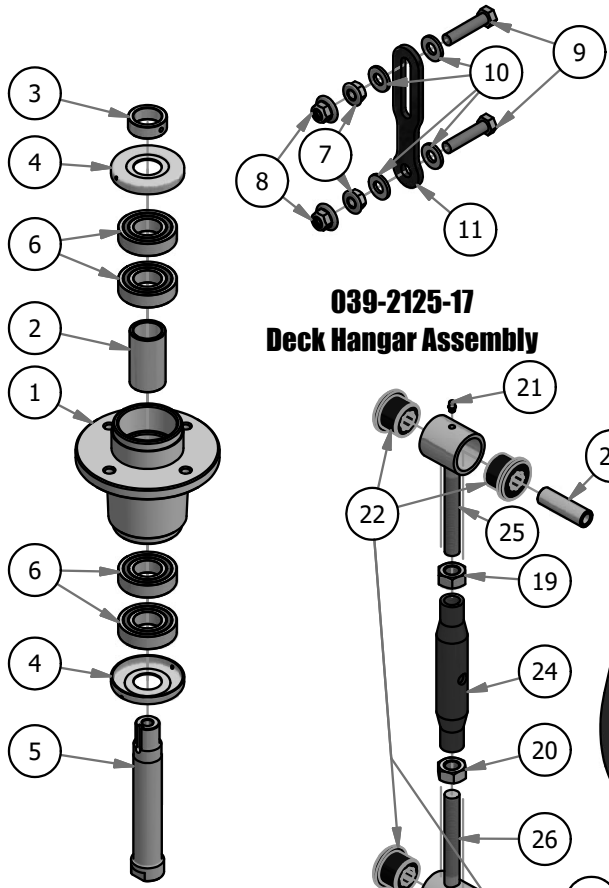




BAD BOY MOWERS

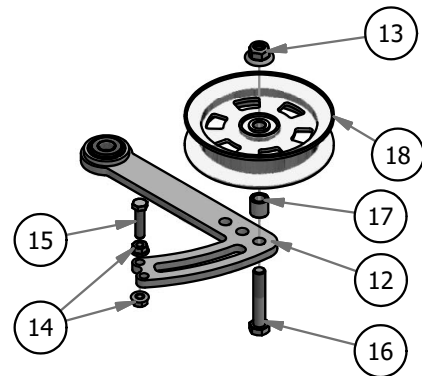
PARTS SECTION: DECK SUB-ASSEMBLIES

| 037-4000-00 Parts List | | | | 048-7000-00 Parts List | | | |
|------------------------|-----|-------------|-------------------------------------|------------------------|-----|-------------|-------------------------------|
| ITEM | QTY | PART NUMBER | DESCRIPTION | ITEM | QTY | PART NUMBER | DESCRIPTION |
| 1 | 1 | 037-4000-01 | 4000 Series Spindle Housing | 19 | 1 | 013-0007-00 | Hex Nut, 11/16-12 |
| 2 | 1 | 037-4002-00 | 4000 Series Spindle Spacer | 20 | 1 | 013-0008-00 | Hex Nut, 11/16-12 Left Handed |
| 3 | 1 | 037-9050-00 | Locking Collar w/ 1/4"-20 Set Screw | 21 | 2 | 024-6034-00 | 1/4" Press in Grease Fitting |
| 4 | 2 | 037-8002-00 | Spindle Dust Cap | 22 | 4 | 032-2000-00 | Bushing |
| 5 | 1 | 037-6026-00 | Spindle Shaft | 23 | 2 | 032-2001-00 | Sleeve |
| 6 | 4 | 037-6023-00 | Bearing - 6206 | 24 | 1 | 048-7020-00 | 2015 Outlaw Turnbuckle Body |
| 039-2125-17 Parts List | | | | 210-7000-98 Parts List | | | |
| ITEM | QTY | PART NUMBER | DESCRIPTION | ITEM | QTY | PART NUMBER | DESCRIPTION |
| 7 | 2 | 013-5300-00 | 1/2" Flange Nut | 27 | 7 | 013-8049-00 | 5/16" Nylon Flange Nut |
| 8 | 2 | 013-8050-00 | 1/2-13 Nylon Flange Nut | 28 | 5 | 018-4703-00 | 5/16" x 1 1/4" Carriage Bolt |
| 9 | 2 | 018-6037-00 | 1/2-13X 2-1/4 GR Hex Bolts | 29 | 2 | 018-8066-00 | 5/16" x 7/8" Carriage Bolt |
| 10 | 4 | 019-8054-00 | .505 Nylon Spacer | 30 | 2 | 019-6042-00 | .360 ID Plastic Washer |
| 11 | 1 | 039-2125-00 | Deck_Hanging_Tab | 31 | 1 | 039-4893-00 | 2019 Upper Chute Bracket |
| 039-6946-17 Parts List | | | | 32 | 1 | 039-4894-00 | 2019 Lower Chute Bracket |
| ITEM | QTY | PART NUMBER | DESCRIPTION | 33 | 1 | 206-6018-00 | 2019 Chute Hanger |
| 12 | 1 | 039-6946-00 | 2019 Deck Tensioner | 34 | 1 | 210-6025-00 | 2019 Belted Chute with Logo |
| 13 | 1 | 013-8050-00 | 1/2-13 Nylon Flange Nut | | | | |
| 14 | 2 | 013-5201-00 | 3/8" Flange Nut | | | | |
| 15 | 1 | 018-6012-00 | 3/8 x 1.5" Bolt | | | | |
| 16 | 1 | 018-6036-00 | 1/2" x 2 3/4" Hex Bolt | | | | |
| 17 | 1 | 025-5203-00 | Spacer 3/4 OD x 1/2 ID x 3/4 Length | | | | |
| 18 | 1 | 033-8050-00 | 5" Idler Pulley | | | | |

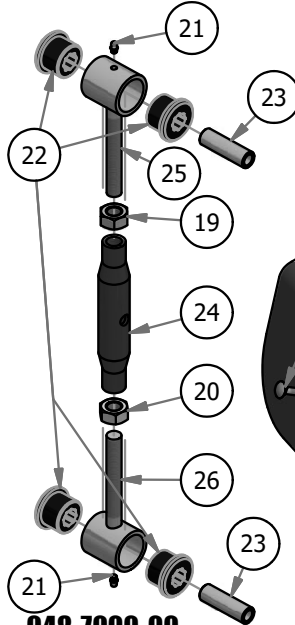


**037-4000-00
OUTLAW SPINDLE ASSEMBLY**

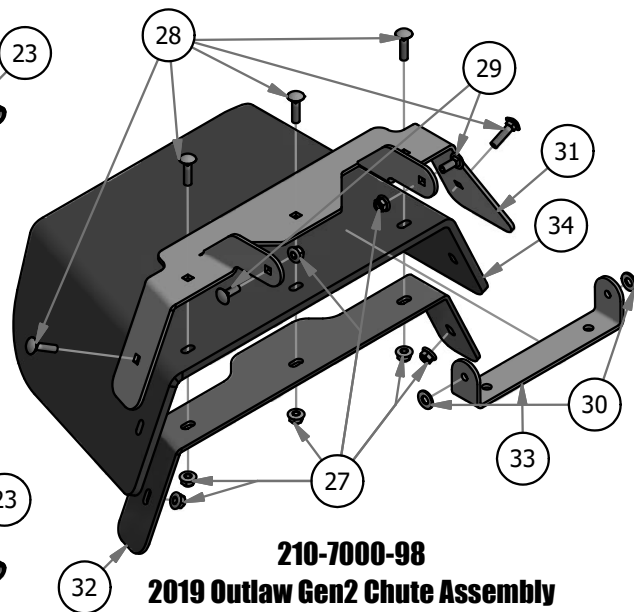
**039-2125-17
Deck Hangar Assembly**



**039-6946-17
2019 Renegade Deck Idler**



**048-7000-00
Turnbuckle**



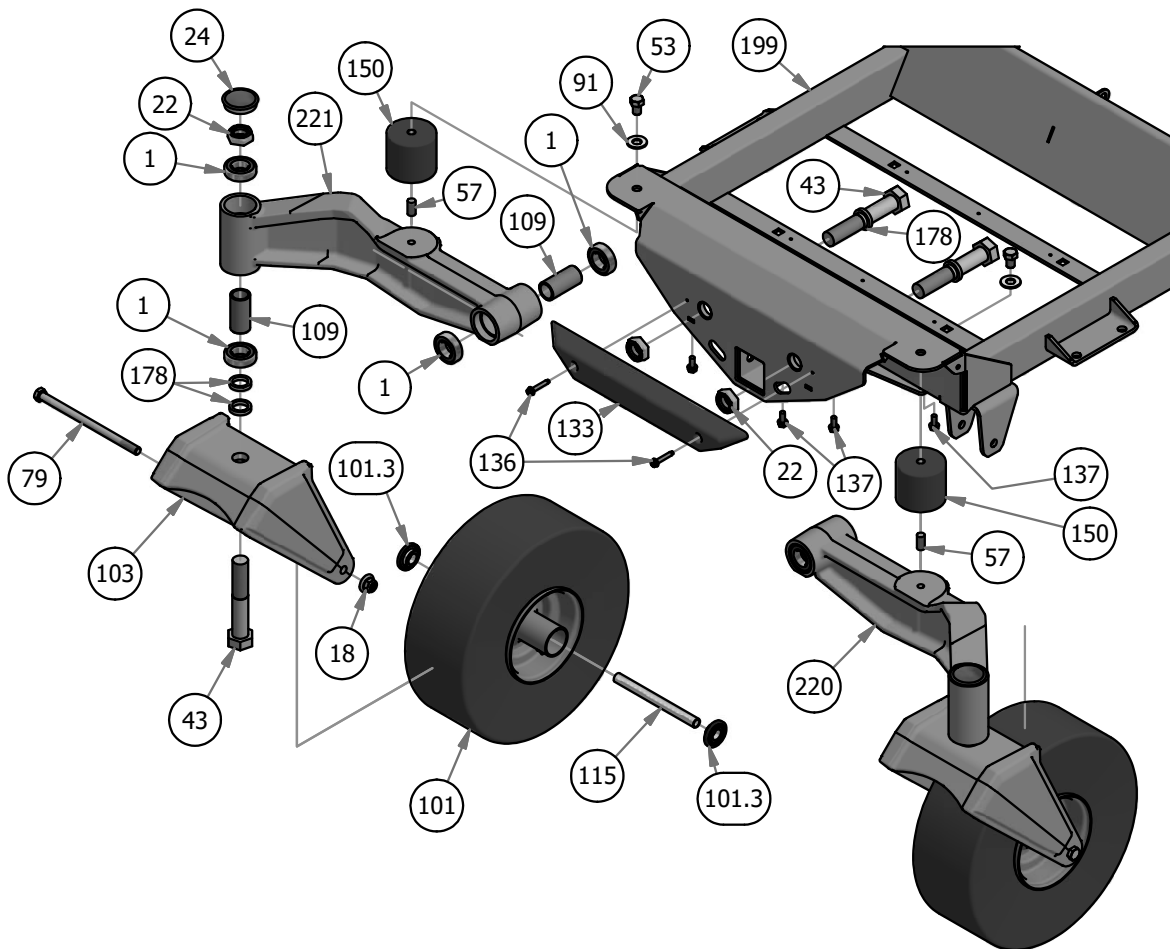
**210-7000-98
2019 Outlaw Gen2 Chute Assembly**



BAD BOY MOWERS

PARTS SECTION: FRONT END

| Parts List | | | | Parts List | | | |
|------------|-----|-------------|---|------------|-----|-------------|--|
| ITEM | QTY | PART NUMBER | DESCRIPTION | ITEM | QTY | PART NUMBER | DESCRIPTION |
| 1 | 8 | 010-1050-00 | Caster Bearing 2016 - 1641 Bearing | 103 | 2 | 023-0004-00 | 2019 Rebel, Rogue, Renegade Front Fork |
| 18 | 2 | 013-8050-00 | 1/2-13 Nylon Flange Nut | 109 | 4 | 025-0003-00 | 2016 Front Bearing Spacer |
| 22 | 4 | 013-9004-00 | 1" Fine Thread 1/2 Nylock Nut | 133 | 1 | 029-8000-00 | 2017 XP Bumper |
| 24 | 2 | 014-2025-00 | 2017 Bearing Cover | 136 | 2 | 030-7039-00 | 1/4" x 1 1/2" Self Tapping Screw |
| 43 | 4 | 018-0026-00 | 1-14 x 5.5 Hex Bolt Grade 8 Zinc Yellow | 137 | 4 | 030-7042-00 | 5/16 x 3/4 washer head type F screw |
| 53 | 2 | 018-1055-00 | 1/2" x 3/4" Hex Bolt | 150 | 2 | 032-9002-00 | Vibration Mount- Red Dot |
| 57 | 2 | 018-2009-00 | 1/2-13 x 1" Stud | 178 | 6 | 058-1000-00 | Spacer, 1x1.375x.25 |
| 79 | 2 | 018-7010-00 | 1/2" x 9" GR 5 Hex Bolt | 199 | 1 | 070-5373-19 | 2019 Horizontal Gas Frame |
| 91 | 2 | 019-5702-00 | 1/2" Washer (Grade 8) | 220 | 1 | 250-0032-00 | 2019 Front I-Beam Left |
| 101 | 2 | 022-0003-00 | 2019 15x6.00-6 Non Pneumatic Black Front Assembly | 221 | 1 | 250-0033-00 | 2019 Front I-Beam Right |
| 101.3 | 4 | 022-7010-00 | 1-3/4" Bearing-Large Bore Front Rim | 115 | 2 | 025-5202-00 | Front Wheel Spanner |

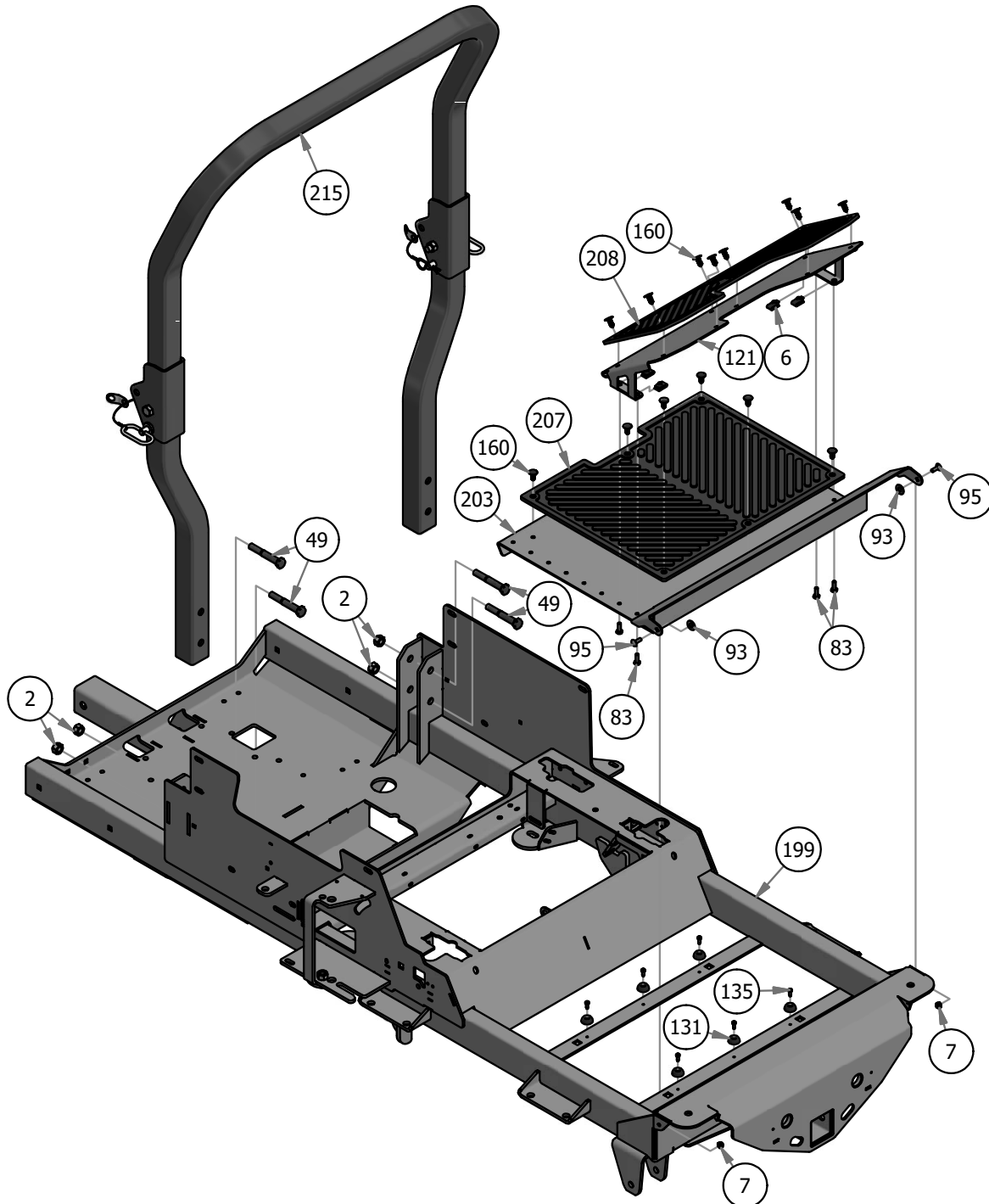




BAD BOY MOWERS

PARTS SECTION: FLOORBOARD & ROPS

| Parts List | | | | Parts List | | | |
|------------|-----|-------------|-----------------------------------|------------|-----|-------------|-------------------------------|
| ITEM | QTY | PART NUMBER | DESCRIPTION | ITEM | QTY | PART NUMBER | DESCRIPTION |
| 2 | 4 | 013-0005-00 | 1/2" Center Lock Nut | 131 | 6 | 029-4010-00 | Button Bumper |
| 6 | 4 | 013-0054-00 | 1/4-20 Cage Nut | 135 | 6 | 030-3050-00 | #10 x 1/2" Self Tapping Screw |
| 7 | 2 | 013-2050-00 | 1/4-20 Hex flang lock nut | 160 | 14 | 040-6080-00 | Ratchet Fastener |
| 49 | 4 | 018-0050-00 | 1/2-13 X 3.25 Hex Bolt - Grade 5 | 199 | 1 | 070-5373-19 | 2019 Horizontal Gas Frame |
| 83 | 4 | 018-8052-00 | 1/4" x 3/4" Hex Bolt | 203 | 1 | 079-3155-00 | 2019 Outlaw Floorboard |
| 93 | 2 | 019-6042-00 | .360 ID Plastic Washer | 207 | 1 | 081-0050-00 | OUTLAW2019_FLOORMAT |
| 95 | 2 | 019-8040-00 | 1/4" x 3/4" Carriage Bolt | 208 | 1 | 081-0051-00 | FLOORMAT_OUTLAW_2019 |
| 121 | 1 | 026-2230-00 | 2019 Outlaw Adjustable Foot Plate | 215 | 1 | 089-0006-00 | 2019 2X2 Folding ROPS |

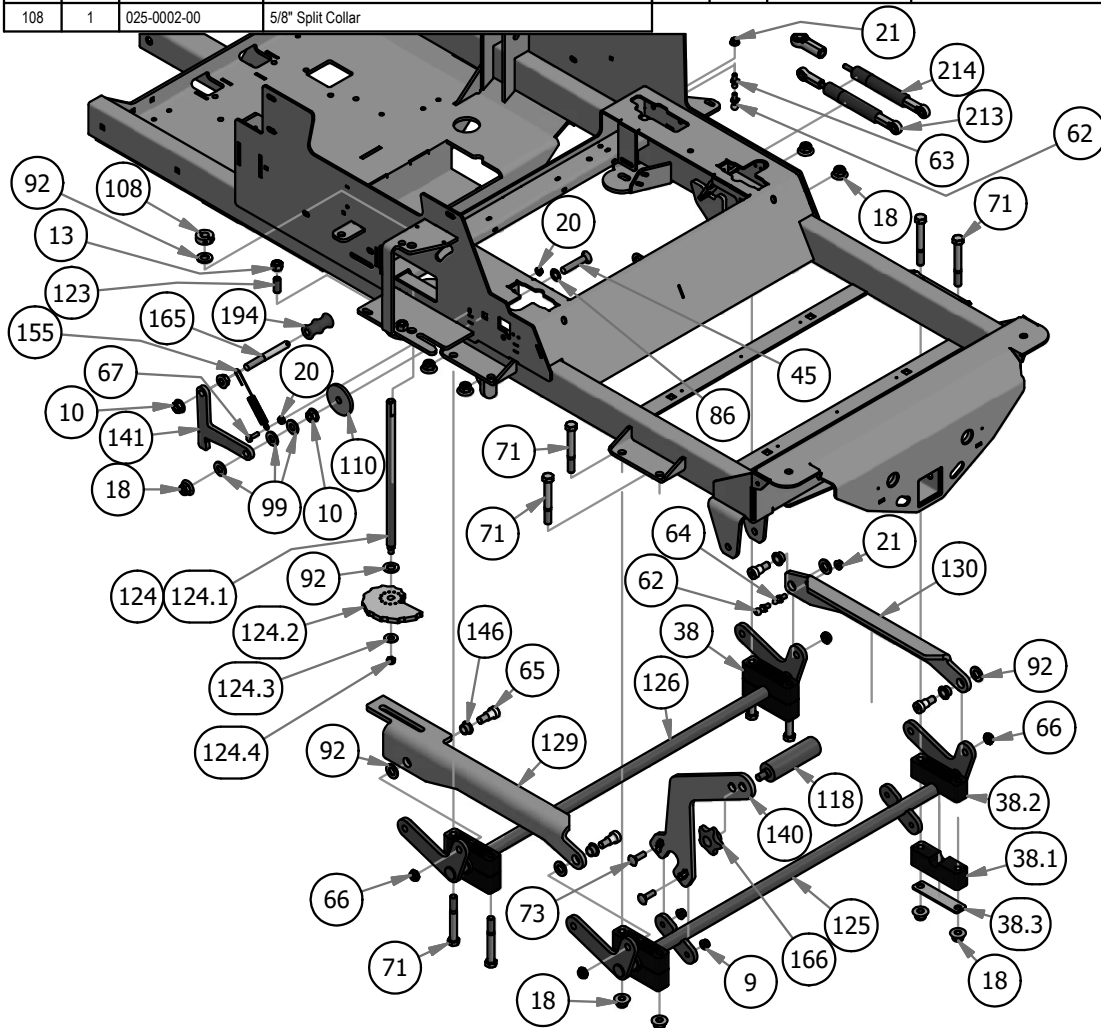




BAD BOY MOWERS

PARTS SECTION: ACTUATORS & TRAVEL LOCK

| Parts List | | | | Parts List | | | |
|------------|-----|-------------|--|------------|-----|-------------|---|
| ITEM | QTY | PART NUMBER | DESCRIPTION | ITEM | QTY | PART NUMBER | DESCRIPTION |
| 9 | 2 | 013-5202-00 | 3/8" Nylock Flange Nut | 110 | 1 | 025-0025-00 | MZ Deck Idler Spacer |
| 10 | 3 | 013-5300-00 | 1/2" Flange Nut | 118 | 1 | 026-0026-00 | Knurled Pedal |
| 13 | 1 | 013-7018-00 | 1/2" Hex Nut | 123 | 1 | 028-0008-00 | Dial Rod Plunger |
| 18 | 9 | 013-8050-00 | 1/2-13 Nylon Flange Nut | 124 | 1 | 028-0015-19 | 2019 Outlaw Gen2 Deck Height Dial Rod Assy |
| 20 | 2 | 013-9001-00 | 1/4-20 Hex Flange Nuts Zinc w/Serrations | 124.1 | 1 | 028-0015-00 | 2019 Outlaw Gen2 Dial Rod |
| 21 | 2 | 013-9002-00 | 5/16" Flange Nut | 124.2 | 1 | 026-1101-00 | 2019 Deck Height Cam |
| 38 | 4 | 017-9075-00 | Pillow Block Assembly | 124.3 | 1 | 019-5029-00 | 3/8" Flat Washer |
| 38.1 | 4 | 017-9000-00 | Two Piece Pillow Block (Male) | 124.4 | 1 | 018-4011-00 | 3/8-24 Nylon Insert jam locknut |
| 38.2 | 4 | 017-9050-00 | Two Piece Pillow Block (Female) | 125 | 1 | 028-0026-00 | 2019 Outlaw Actuator - Front |
| 38.3 | 4 | 017-9025-00 | Two Piece Pillow Block Strap | 126 | 1 | 028-0027-00 | 2019 Outlaw Actuator - Rear |
| 45 | 1 | 018-0043-00 | 1/2 x 2-1/2 Carriage Bolt | 129 | 1 | 028-6075-00 | 2019 Actuator Linkage - Right |
| 62 | 2 | 018-2049-00 | 13mm Damper Ball Stud-Steering (72" Deck Only) | 130 | 1 | 028-6076-00 | 2019 Actuator Linkage - Left |
| 63 | 1 | 018-2050-00 | 10mm Damper Ball Stud-Steering (61" Deck Only) | 140 | 1 | 031-0120-00 | Foot Lift Upright Lever |
| 64 | 1 | 018-2055-00 | 10mm Damper Ball Stud-XP Linkage (61" Deck Only) | 141 | 1 | 031-0125-00 | 2019 Outlaw Deck Travel Lock |
| 65 | 4 | 018-3001-00 | 5/8" x 5/8" Shoulder Bolt | 146 | 4 | 032-5052-00 | Bronze Bushing - SF - 2024-8 |
| 66 | 4 | 018-4010-00 | 1/2" Nylock Nut (1/2 Jam) | 155 | 1 | 034-1025-00 | Brake Spring |
| 67 | 1 | 018-4702-00 | 1/4-20 x 1-1/4 GR 5 Hex Bolt | 165 | 1 | 044-4000-00 | Seat Bracket Pin |
| 71 | 8 | 018-5019-00 | 1/2" x 4" Bolt (Grade 8) | 166 | 1 | 045-6044-00 | Foot Pedal Knob 1/2-13 |
| 73 | 2 | 018-5043-00 | 3/8" x 1 1/4" Carriage Bolt | 194 | 1 | 069-4011-00 | Travel Lock Rubber Grip |
| 86 | 1 | 019-0007-00 | .517 Square Hole Round Washer | 199 | 1 | 070-5373-19 | 2019 Horizontal Gas Frame |
| 92 | 6 | 019-6017-00 | .630 ID Plastic Washer | 213 | 1 | 087-6100-00 | 250lb Gas Spring - 61" Deck (61" Deck Only) |
| 99 | 3 | 019-8054-00 | .505 Nylon Spacer | 214 | 1 | 087-7200-00 | 250lb Gas Spring (72" Deck Only) |
| 108 | 1 | 025-0002-00 | 5/8" Split Collar | | | | |

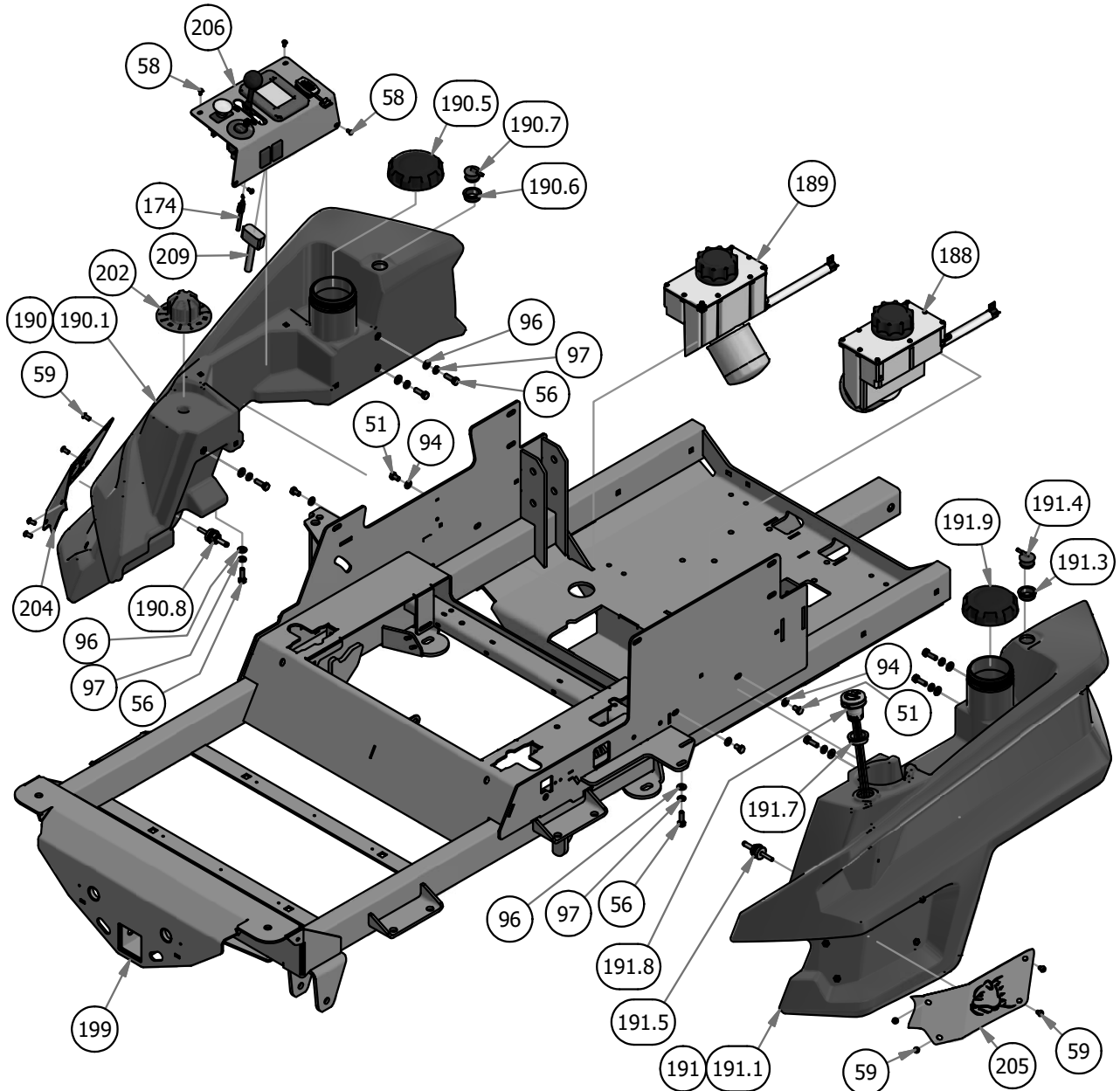




BAD BOY MOWERS

PARTS SECTION: TANKS

| Parts List | | | | Parts List | | | |
|------------|-----|-------------|---|------------|-----|-------------|--|
| ITEM | QTY | PART NUMBER | DESCRIPTION | ITEM | QTY | PART NUMBER | DESCRIPTION |
| 51 | 4 | 018-0057-00 | 5/16"-18 x 1/2 GR5 Hex bolt zink | 190.8 | 1 | 067-9901-00 | Fuel Pick-up |
| 56 | 8 | 018-2007-00 | 5/16" x 1" Bolt | 191 | 1 | 067-9960-50 | 2019 Left Rebel, Rogue, Renegade Fuel Tank (GAS) |
| 58 | 4 | 018-2010-00 | 10-32 x 3/8" Button Socket Head Bolt | 191.1 | 1 | 067-9960-50 | 2019 Right Fuel Tank (Gas) |
| 59 | 8 | 018-2012-00 | 1/4" x 1/2" BS C/S 18-8 SS | 191.3 | 1 | 067-6054-00 | Roll Over Valve Grommet |
| 94 | 4 | 019-7040-00 | 1/4" Flat Washer | 191.4 | 1 | 067-6070-00 | Rollover Valve |
| 96 | 8 | 019-8044-00 | 5/16" Flat Washer | 191.5 | 1 | 067-9901-00 | Fuel Pick-up |
| 97 | 8 | 019-8051-00 | 5/16" Lock Washer | 191.7 | 1 | 067-6056-00 | Fuel Gauge Grommet |
| 174 | 1 | 055-8021-75 | Outlaw Throttle Cable | 191.8 | 1 | 067-4090-00 | Fuel Gauge with Grommet |
| 188 | 1 | 067-8053-18 | LH Rogue Hydro Tank Assy | 191.9 | 1 | 067-9904-00 | Fuel Cap |
| 189 | 1 | 067-8054-18 | RH Rogue Hydro Tank Assy | 199 | 1 | 070-5373-19 | 2019 Horizontal Gas Frame |
| 190 | 1 | 067-9950-50 | 2019 Right Rebel, Rogue, Renegade Fuel Tank (GAS) | 202 | 1 | 077-9001-00 | 2019 Deck Height Dial |
| 190.1 | 1 | 067-9950-50 | 2019 Left Fuel Tank (Gas) | 204 | 1 | 079-3290-00 | 2019 Outlaw Fuel Tank Insert - Right |
| 190.5 | 1 | 067-9904-00 | Fuel Cap | 205 | 1 | 079-3291-00 | 2019 Outlaw Fuel Tank Insert - Left |
| 190.6 | 1 | 067-6054-00 | Roll Over Valve Grommet | 206 | 1 | 079-3482-19 | Renegade Control Panel Assembly |
| 190.7 | 1 | 067-6070-00 | Rollover Valve | 209 | 1 | 086-0012-00 | 2019 LCD Panel Harness-Renegade |

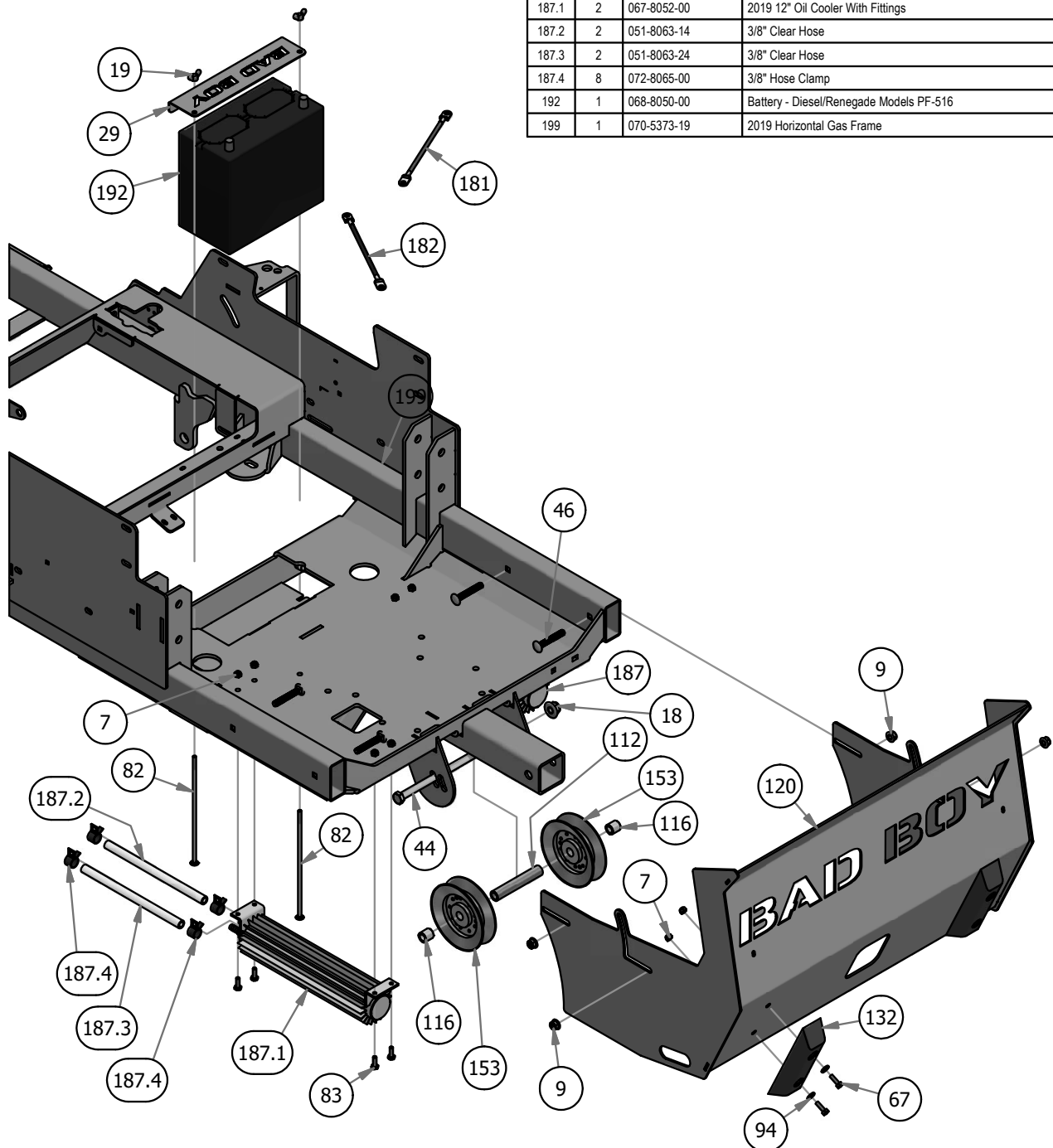




BAD BOY MOWERS

PARTS SECTION: REAR COVER & HYDRAULIC COOLERS

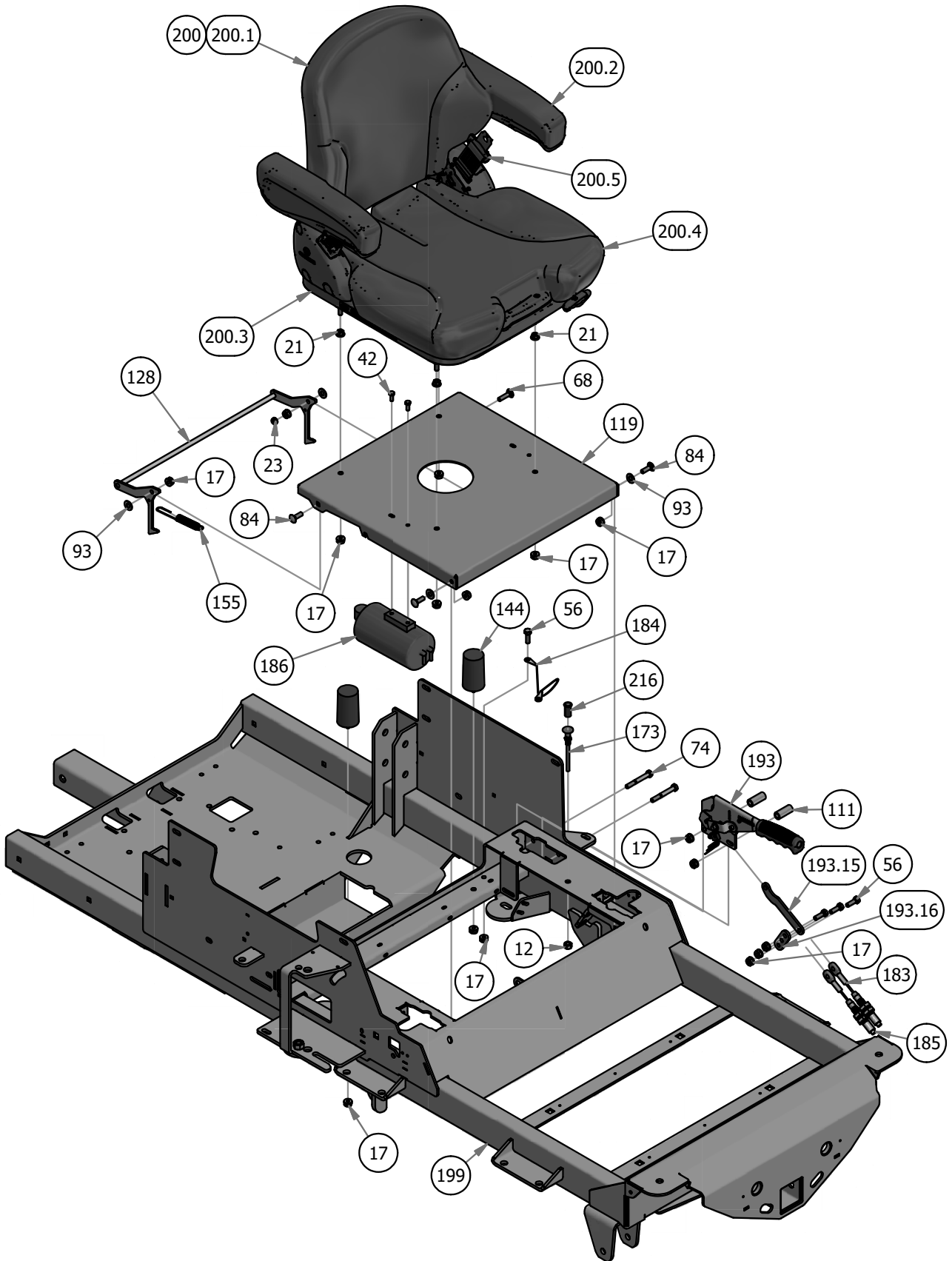
| Parts List | | | | Parts List | | | |
|------------|-----|-------------|---|------------|-----|-------------|---|
| ITEM | QTY | PART NUMBER | DESCRIPTION | ITEM | QTY | PART NUMBER | DESCRIPTION |
| 7 | 12 | 013-2050-00 | 1/4-20 Hex flang lock nut | 83 | 8 | 018-8052-00 | 1/4" x 3/4" Hex Bolt |
| 9 | 4 | 013-5202-00 | 3/8" Nylock Flange Nut | 94 | 4 | 019-7040-00 | 1/4" Flat Washer |
| 18 | 1 | 013-8050-00 | 1/2-13 Nylon Flange Nut | 112 | 1 | 025-0028-00 | 2019 Rear Vertical Pulley Spacer |
| 19 | 2 | 013-8051-00 | 1/4" Wing Nut | 116 | 2 | 025-5203-00 | Spacer 3/4 OD x 1/2 ID x 3/4 Length |
| 29 | 1 | 014-5063-00 | 2019 Horizontal Battery Hold Down Cover | 120 | 1 | 026-2224-00 | 2019 Horizontal Suspension Rear Cover |
| 44 | 1 | 018-0040-00 | 1/2" x 8 1/2 GR 5 Hex Bolt | 132 | 2 | 029-7038-00 | 8" Rubber Bumper |
| 46 | 4 | 018-0044-00 | 3/8" x 2 1/2" Carriage Bolt | 153 | 2 | 033-7027-00 | 2019 Outlaw Horizontal Rear V Pulley |
| 67 | 4 | 018-4702-00 | 1/4-20 x 1-1/4 GR 5 Hex Bolt | 181 | 1 | 064-4000-00 | Red Battery Cable - Diesel |
| 82 | 2 | 018-8051-00 | 1/4" x 1" Carriage Bolt | 182 | 1 | 064-4001-00 | Black Battery Cable - Diesel |
| | | | | 187 | 2 | 067-8052-19 | Renegade Oil Cooler Assembly |
| | | | | 187.1 | 2 | 067-8052-00 | 2019 12" Oil Cooler With Fittings |
| | | | | 187.2 | 2 | 051-8063-14 | 3/8" Clear Hose |
| | | | | 187.3 | 2 | 051-8063-24 | 3/8" Clear Hose |
| | | | | 187.4 | 8 | 072-8065-00 | 3/8" Hose Clamp |
| | | | | 192 | 1 | 068-8050-00 | Battery - Diesel/Renegade Models PF-516 |
| | | | | 199 | 1 | 070-5373-19 | 2019 Horizontal Gas Frame |





BAD BOY MOWERS

PARTS SECTION: SEAT & BRAKE





BAD BOY MOWERS

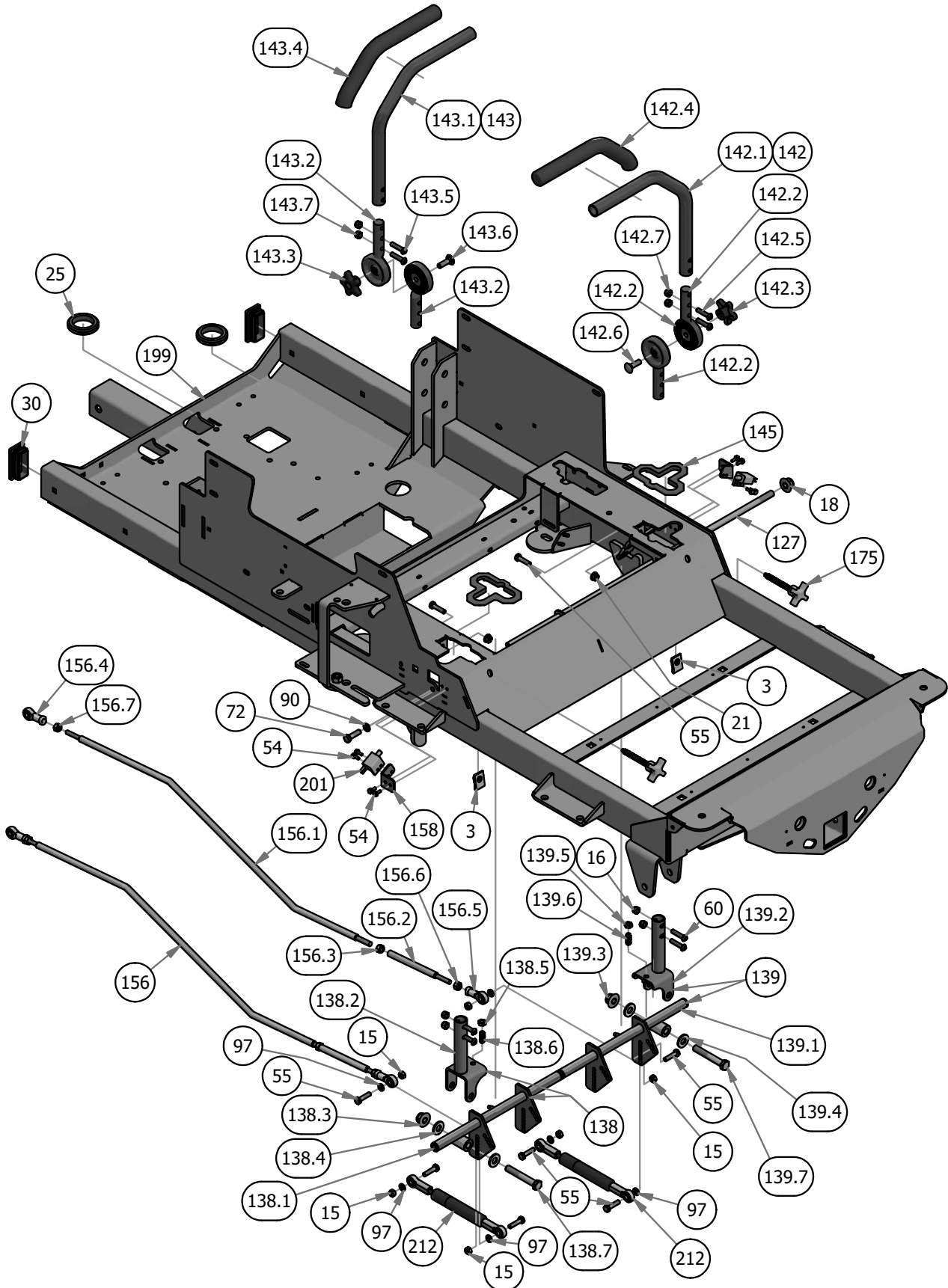
PARTS SECTION: SEAT & BRAKE

| Parts List | | | | Parts List | | | |
|------------|-----|-------------|--|------------|-----|-------------|--------------------------------------|
| ITEM | QTY | PART NUMBER | DESCRIPTION | ITEM | QTY | PART NUMBER | DESCRIPTION |
| 12 | 1 | 013-6051-00 | 3/8" Fine Threaded Jam Nut | 186 | 1 | 067-0020-19 | 2019 Outlaw EPA Cannister Assembly |
| 17 | 16 | 013-8049-00 | 5/16-18 Nylon Flange Nut | 186.1 | 1 | 067-0020-00 | Carbon Canister |
| 21 | 4 | 013-9002-00 | 5/16" Flange Nut | 186.2 | 2 | 072-8073-00 | 3/16" Vinyl Hose Clamp |
| 23 | 1 | 013-9005-00 | 5/16-18 Nylock Jam Nut 1/2 Nut | 186.3 | 6 | 072-8070-00 | 3/16 Vinyl Clamp |
| 42 | 2 | 018-0024-00 | M6-1.0 X 16MM Hex Bolt | 186.4 | 1 | 051-2025-66 | 3/16" Vinyl Tubing, 66" Long |
| 56 | 4 | 018-2007-00 | 5/16" x 1" Bolt | 186.5 | 3 | 051-8072-38 | 1/4" Vinyl Tubing 38" Long |
| 68 | 1 | 018-4703-00 | 5/16" x 1 1/4" Carriage Bolt | 186.6 | 1 | 073-8068-00 | fuel line T |
| 74 | 2 | 018-5344-00 | 5/16" x 2 1/2" Bolt | 193 | 1 | 069-0001-00 | 2019 Brake Handle Assembly |
| 84 | 3 | 018-8065-00 | 5/16" x 1" Carriage Bolt | 193.15 | 1 | 039-2136-00 | 2019 Brake Load Balancer - Upper Tab |
| 93 | 4 | 019-6042-00 | .360 ID Plastic Washer | 193.16 | 1 | 039-2138-00 | 2019 Brake Load Balancer - Lower Tab |
| 111 | 2 | 025-0027-00 | 2019 Outlaw Brake Handle Spacer .625 x 1.5 | 199 | 1 | 070-5373-19 | 2019 Horizontal Gas Frame |
| 119 | 1 | 026-2019-00 | 2019 Outlaw Seat Plate | 200 | 1 | 071-5065-00 | 2019 Renegade Seat |
| 128 | 1 | 028-0090-00 | Seat Latch Rod Assembly | 200.1 | 1 | 071-5065-03 | Backrest Cushion |
| 144 | 2 | 032-0001-00 | 2019 Bad Boy X Cylindrical Seat Mount | 200.2 | 1 | 071-5065-06 | Arm Rest Kit |
| 155 | 1 | 034-1025-00 | Brake Spring | 200.3 | 1 | 071-5065-05 | Slave & Adjuster |
| 173 | 1 | 054-8019-00 | Choke for 36Hp Vanguard & FX1000 Kawasaki | 200.4 | 1 | 071-5065-04 | Seat Cushion |
| 183 | 1 | 064-8054-00 | 2019 Short Brake Cable-Suspension Models | 200.5 | 1 | 071-5065-02 | Seat Belt |
| 184 | 1 | 064-8081-00 | Seat Cable | 200.6 | 1 | 071-5065-07 | Seat Switch |
| 185 | 1 | 064-9002-00 | 2019 Long Brake Cable-Renegade, Rogue | 216 | 1 | 089-2000-00 | Code Indicator Light |



BAD BOY MOWERS

PARTS SECTION: CONTROL ARMS





BAD BOY MOWERS

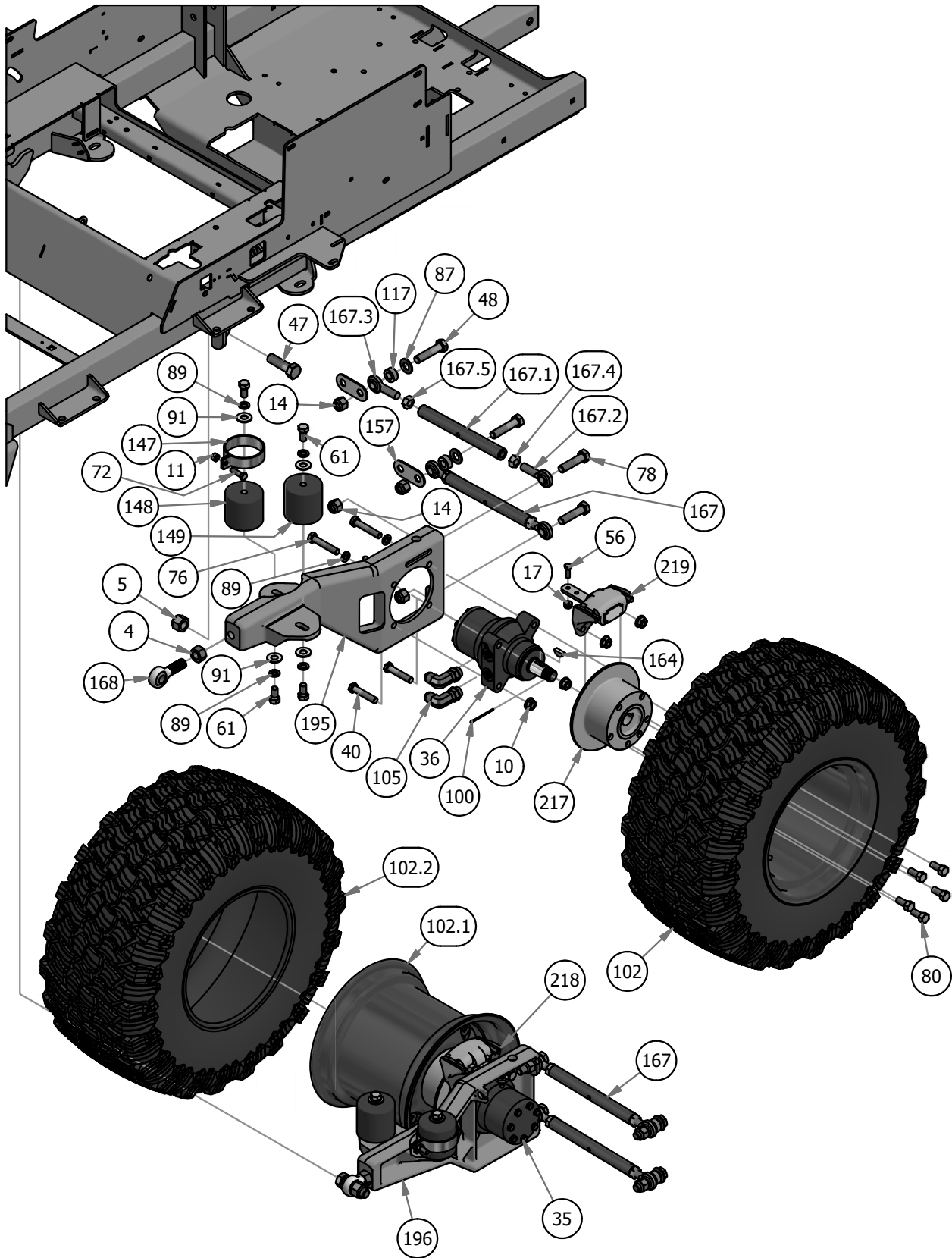
PARTS SECTION: CONTROL ARMS

| Parts List | | | | Parts List | | | |
|------------|-----|-------------|--|------------|-----|-------------|---|
| ITEM | QTY | PART NUMBER | DESCRIPTION | ITEM | QTY | PART NUMBER | DESCRIPTION |
| 3 | 2 | 013-0021-00 | Extruded Nut 3/8"-16 3/4" Hole Center With Patch | 139.5 | 1 | 013-0017-00 | 3/8-16 Half Jam Nut |
| 15 | 6 | 013-8043-00 | 5/16" Nut | 139.6 | 1 | 018-0063-00 | 3/8-16 x 1 Set Socket Set Screw Cup Point |
| 16 | 4 | 013-8047-00 | 5/16-18 Nylock Insert Locknut | 139.7 | 1 | 018-0050-00 | 1/2-13 x 3.25 GR 5 Hex Bolt Zinc |
| 18 | 1 | 013-8050-00 | 1/2-13 Nylon Flange Nut | 142 | 1 | 031-9005-70 | 2019 Left Hand ADJ. Steering Arm Kit |
| 21 | 2 | 013-9002-00 | 5/16" Flange Nut | 142.1 | 1 | 031-9006-00 | 2019 Steering Arm Grip |
| 25 | 2 | 014-2052-00 | 2019 2" x .25 Rubber Grommet | 142.2 | 2 | 031-9005-00 | 2019 Steering Arm Adjuster Casting |
| 30 | 2 | 014-9003-00 | 1 1/2 x 3 Frame Plug | 142.3 | 1 | 045-5000-00 | Black Knob for Adjustable Steering Arm |
| 54 | 8 | 018-1080-00 | 12-24x 1/2 HWH Bolt | 142.4 | 1 | 069-4010-00 | Black Steering Arm Grip |
| 55 | 8 | 018-2006-00 | 5/16 x 1 1/4 Hex Bolt | 142.5 | 2 | 018-2020-18 | 5/16-18 BHCS, TORX DRIVE |
| 60 | 4 | 018-2020-18 | 5/16-18 BHCS, TORX DRIVE | 142.6 | 1 | 018-5043-00 | 3/8" x 1 1/4" Carriage Bolt |
| 72 | 1 | 018-5040-00 | 3/8" x 1 1/4" Hex Bolt | 142.7 | 2 | 013-8047-00 | 5/16-18 Nylock Insert Locknut |
| 90 | 1 | 019-5037-00 | 3/8" Lock Washer | 143 | 1 | 031-9055-70 | 2019 Right Hand ADJ. Steering Arm Kit |
| 97 | 6 | 019-8051-00 | 5/16" Lock Washer | 143.1 | 1 | 031-9006-00 | 2019 Steering Arm Grip |
| 127 | 1 | 028-0051-00 | 2019 Steering Actuator Rod | 143.2 | 2 | 031-9005-00 | 2019 Steering Arm Adjuster Casting |
| 138 | 1 | 031-0030-19 | 2019 R Series RH Arm Rod Assembly | 143.3 | 1 | 045-5000-00 | Black Knob for Adjustable Steering Arm |
| 138.1 | 1 | 031-0030-00 | 2019 Drive Arm Actuator right | 143.4 | 1 | 069-4010-00 | Black Steering Arm Grip |
| 138.1.1 | 1 | 031-0030-10 | 2019 Drive Arm Actuator right - Weldment | 143.5 | 2 | 018-2020-18 | 5/16-18 BHCS, TORX DRIVE |
| 138.1.2 | 1 | 024-6034-00 | 1/4" Press in Grease Fitting | 143.6 | 1 | 018-5043-00 | 3/8" x 1 1/4" Carriage Bolt |
| 138.1.3 | 2 | 031-0032-00 | 2019 Drive Arm Bushing | 143.7 | 2 | 013-8047-00 | 5/16-18 Nylock Insert Locknut |
| 138.2 | 1 | 031-0014-00 | Drive Arm Pivot | 145 | 2 | 032-0002-00 | Snap-In Bushing-2019 |
| 138.3 | 1 | 013-8050-00 | 1/2-13 Nylon Flange Nut | 156 | 2 | 035-0005-00 | 2019 Outlaw Gen2 Horizontal Push Rod Assembly |
| 138.4 | 2 | 019-8054-00 | .505 Nylon Spacer | 156.1 | 2 | 035-0005-01 | 2019 Outlaw Gen2 Horizontal Push Rod |
| 138.5 | 1 | 013-0017-00 | 3/8-16 Half Jam Nut | 156.2 | 2 | 035-0006-00 | 2019 Outlaw Gen2 Horizontal Push Rod Adjuster |
| 138.6 | 1 | 018-0063-00 | 3/8-16 x 1 Set Socket Set Screw Cup Point | 156.3 | 2 | 013-6051-00 | 3/8" Fine Threaded Jam Nut |
| 138.7 | 1 | 018-0050-00 | 1/2-13 x 3.25 GR 5 Hex Bolt Zinc | 156.4 | 2 | 048-3003-00 | Spherical Rod End - Outlaw |
| 139 | 1 | 031-0031-19 | 2019 R Series LH Arm Rod Assembly | 156.5 | 2 | 048-3002-00 | Spherical Rod End - Outlaw |
| 139.1 | 1 | 031-0031-00 | 2019 Drive Arm Actuator left | 156.6 | 2 | 013-6050-00 | 5/16" LH Fine Threaded Jam Nut |
| 139.1.1 | 1 | 031-0031-10 | 2019 Drive Arm Actuator left - Weldment | 156.7 | 2 | 013-6049-00 | 5/16" RH Fine Threaded Jam Nut |
| 139.1.2 | 1 | 024-6034-00 | 1/4" Press in Grease Fitting | 158 | 2 | 039-2160-00 | 2019 Arm Switch Bracket |
| 139.1.3 | 2 | 031-0032-00 | 2019 Drive Arm Bushing | 175 | 2 | 057-5800-00 | Speed Limiting Knob 3/8-16X 3" |
| 139.2 | 1 | 031-0014-00 | Drive Arm Pivot | 199 | 1 | 070-5373-19 | 2019 Horizontal Gas Frame |
| 139.3 | 1 | 013-8050-00 | 1/2-13 Nylon Flange Nut | 201 | 2 | 077-8073-00 | Safety Switch |
| 139.4 | 2 | 019-8054-00 | .505 Nylon Spacer | 212 | 2 | 087-0002-00 | 2019 SROID Damper With Spherical Rod Ends |



BAD BOY MOWERS

PARTS SECTION: REAR SWING ARMS





BAD BOY MOWERS

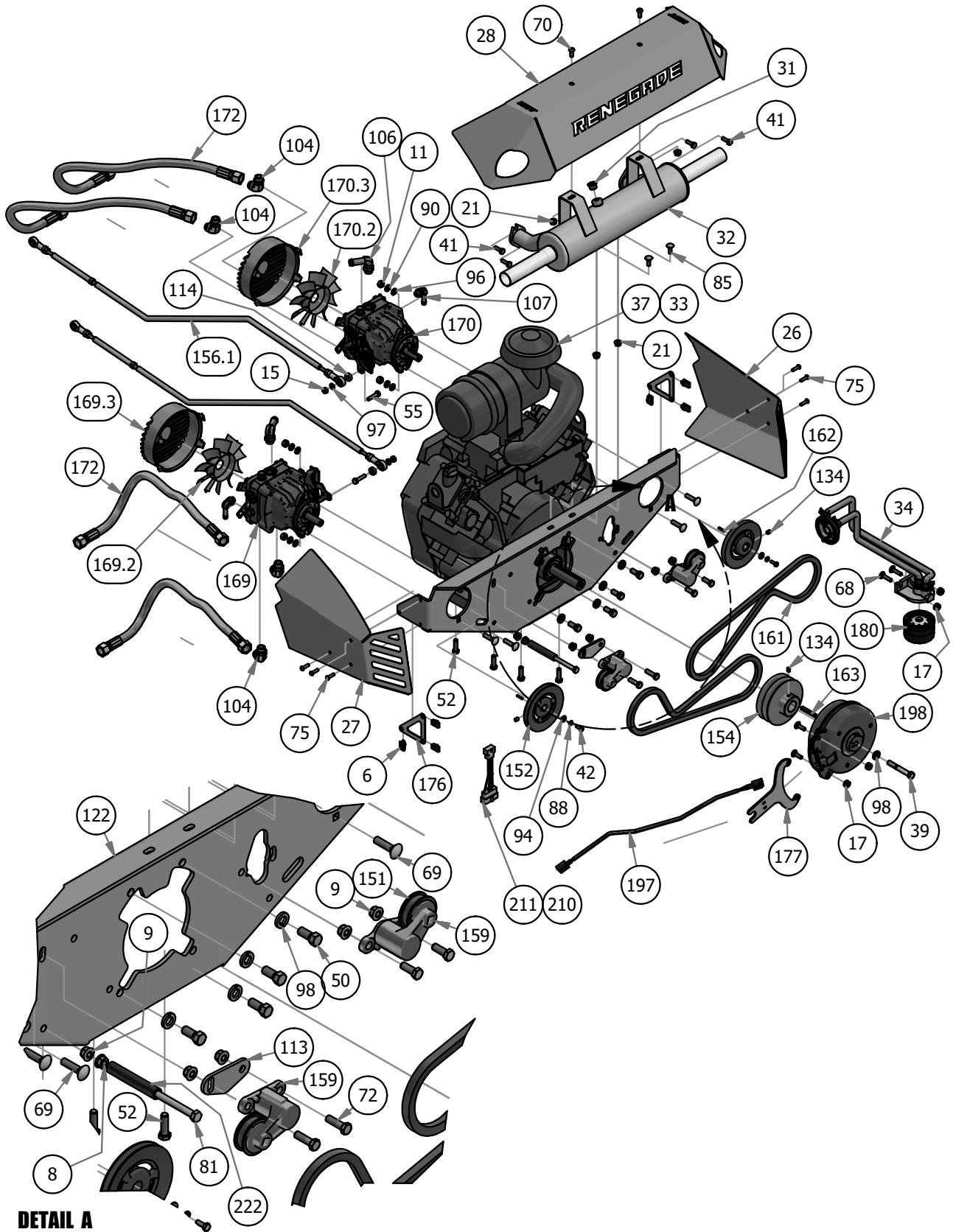
PARTS SECTION: REAR SWING ARMS

| Parts List | | | | Parts List | | | |
|------------|-----|-------------|---|------------|-----|-------------|---|
| ITEM | QTY | PART NUMBER | DESCRIPTION | ITEM | QTY | PART NUMBER | DESCRIPTION |
| 4 | 2 | 013-0022-00 | 3/4"-16 Fine Full Nut | 102.1 | 2 | 022-4086-00 | 2019 10.5" Wheel |
| 5 | 2 | 013-0023-00 | 3/4" Course Thread Nylon Lock Nut | 102.2 | 2 | 022-4085-00 | 2019 26x12-12 Reaper Turf Tire |
| 10 | 8 | 013-5300-00 | 1/2" Flange Nut | 105 | 4 | 024-2065-00 | 2019 Rouge/Renegade Wheel Motor 90° Fitting #6801-10L |
| 11 | 2 | 013-6014-00 | 3/8" Hex Nut | 117 | 4 | 025-7020-00 | 5/8" x 1" Collar W/One Set Screw |
| 14 | 8 | 013-7021-00 | 5/8 Std NC Nylock Nut | 147 | 2 | 032-7000-00 | 2019 Bad Boy Max Iso-Band |
| 17 | 2 | 013-8049-00 | 5/16-18 Nylon Flange Nut | 148 | 2 | 032-8999-00 | Vibration Mount-Blue Dot |
| 35 | 1 | 015-4600-00 | 18ci Parker Wheel Motor-Right | 149 | 2 | 032-9000-00 | Vibration Mount-Green Dot |
| 36 | 1 | 015-4601-00 | 18ci Parker Wheel Motor - Left | 157 | 2 | 039-2145-00 | 2019 Suspension Gusset Outlaw |
| 40 | 4 | 018-0015-00 | 1/2" x 3" Hex Bolt | 164 | 2 | 042-7041-00 | Woodruff Key |
| 47 | 2 | 018-0045-00 | 3/4 x 2 1/2 Course Thread Bolt | 167 | 4 | 048-0001-98 | 2019 Suspension Radius Rod Assembly |
| 48 | 4 | 018-0049-00 | AS 2465 - 5/8 x 2 3/4 UNC | 167.1 | 4 | 048-0001-00 | 2019 Suspension Link Body |
| 56 | 2 | 018-2007-00 | 5/16" x 1" Bolt | 167.2 | 4 | 048-6062-00 | 2019 RH 5/8" Heim |
| 61 | 8 | 018-2030-00 | 1/2" x 1" Hex Bolt | 167.3 | 4 | 048-6063-00 | 2019 LH 5/8" Heim |
| 72 | 2 | 018-5040-00 | 3/8" x 1 1/4" Hex Bolt | 167.4 | 4 | 013-0019-00 | Nut, 5/8-18 RH |
| 76 | 4 | 018-6036-00 | 1/2" x 2 3/4" Hex Bolt | 167.5 | 4 | 013-0020-00 | Nut, 5/8-18 LH |
| 78 | 4 | 018-6059-00 | 5/8" x 2 1/2" Grade 5 Hex Bolt (Coarse) | 168 | 2 | 048-7001-00 | 3/4-16 RH Male Rod End |
| 80 | 10 | 018-7033-00 | 1/2-20 x 1-1/2 Lug Bolts Zinc | 195 | 1 | 070-0001-00 | 2019 Left Trailing Arm |
| 87 | 4 | 019-0009-00 | 5/8" Flat Washer SAE Spec Grade 8 | 196 | 1 | 070-0002-00 | 2019 Right Trailing Arm |
| 89 | 12 | 019-5007-00 | 1/2" Lock Washer | 199 | 1 | 070-5373-19 | 2019 Horizontal Gas Frame |
| 91 | 8 | 019-5702-00 | 1/2" Washer (Grade 8) | 217 | 2 | 092-5201-00 | Brake Disk |
| 100 | 2 | 020-7022-00 | 1/8x2-1/4 cotter pin Zinc | 218 | 1 | 092-7000-00 | XP/AOS Right Brake Caliper |
| 102 | 2 | 022-4090-00 | 2019 Assy-26x12-12 Reaper Turf 2019-10.5" Rim | 219 | 1 | 092-7001-00 | XP/AOS Left Brake Caliper |



BAD BOY MOWERS

PARTS SECTION: ENGINE BAY





BAD BOY MOWERS

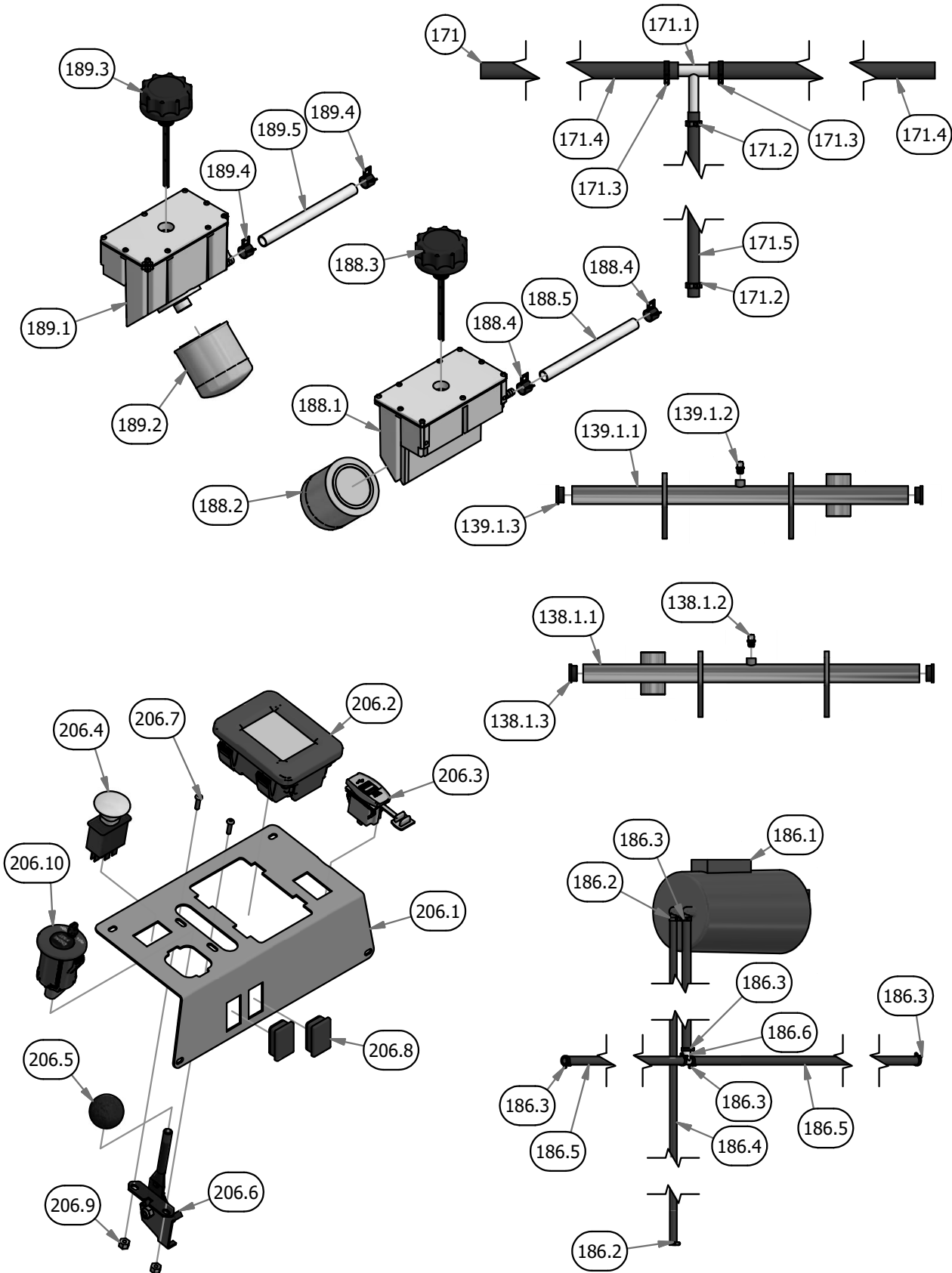
PARTS SECTION: ENGINE BAY

| Parts List | | | | Parts List | | | |
|------------|-----|-------------|--|------------|-----|-------------|---|
| ITEM | QTY | PART NUMBER | DESCRIPTION | ITEM | QTY | PART NUMBER | DESCRIPTION |
| 6 | 6 | 013-0054-00 | 1/4-20 Cage Nut | 107 | 2 | 024-5206-00 | 90 Degree Fitting, 3/8 s 9/16 |
| 8 | 1 | 013-5201-00 | 3/8" Flange Nut | 113 | 1 | 025-0075-00 | 2019 Outlaw Horizontal Tensioner Spacer |
| 9 | 5 | 013-5202-00 | 3/8" Nylock Flange Nut | 114 | 2 | 025-2001-00 | ACS Spacer 3/4x3/8x1/4 |
| 11 | 4 | 013-6014-00 | 3/8" Hex Nut | 122 | 1 | 026-8010-00 | Pump Plate - 2019 Horizontal Gas |
| 15 | 2 | 013-8043-00 | 5/16" Nut | 134 | 3 | 030-0075-00 | 5/16-24 X 3/8 Set Screw |
| 17 | 4 | 013-8049-00 | 5/16-18 Nylon Flange Nut | 151 | 2 | 033-1875-00 | 2019 Renegade Horizontal Pump Idler Pulley |
| 21 | 4 | 013-9002-00 | 5/16" Flange Nut | 152 | 2 | 033-5011-00 | 5" Pump Pulley |
| 26 | 1 | 014-5060-00 | 2019 Horizontal Pump Cover - Right | 154 | 1 | 033-8001-00 | 2019 Outlaw Renegade Horizontal Double V Pulley |
| 27 | 1 | 014-5061-00 | 2019 Horizontal Pump Cover - Left | 156 | 2 | 035-0005-00 | 2019 Outlaw Gen2 Horizontal Push Rod Assembly |
| 28 | 1 | 014-5062-00 | Muffler Cover - 2019 Horizontal Gas | 156.1 | 2 | 035-0005-01 | 2019 Outlaw Gen2 Horizontal Push Rod |
| 31 | 1 | 015-0050-01 | O2 Sensor Plug (35HP Vanguard Only) | 156.2 | 2 | 035-0006-00 | 2019 Outlaw Gen2 Horizontal Push Rod Adjuster |
| 32 | 1 | 015-1018-00 | 2019 Renegade Vanguard 999cc EFI Exhaust | 156.3 | 2 | 013-6051-00 | 3/8" Fine Threaded Jam Nut |
| 33 | 1 | 015-3002-00 | Vanguard EFI 37HP 993cc Horizontal Shaft | 156.4 | 2 | 048-3003-00 | Spherical Rod End - Outlaw |
| 34 | 1 | 015-3002-01 | Remote Oil Filter Kit For Vanguard Horizontal | 156.5 | 2 | 048-3002-00 | Spherical Rod End - Outlaw |
| 37 | 1 | 015-5405-00 | 35hp Briggs Vanguard | 156.6 | 2 | 013-6050-00 | 5/16" LH Fine Threaded Jam Nut |
| 39 | 1 | 018-0007-00 | 7/16"-20 x 3" Hex Bolt Gr. 8 | 156.7 | 2 | 013-6049-00 | 5/16" RH Fine Threaded Jam Nut |
| 41 | 4 | 018-0017-00 | Torx Bolt-Exhaust | 159 | 2 | 039-5900-00 | Horizontal Tensioner |
| 42 | 2 | 018-0024-00 | M6-1.0 X 16MM Hex Bolt | 161 | 2 | 041-8000-00 | 2019 Renegade Pump Belt |
| 50 | 4 | 018-0053-00 | Hex Bolt - UNC (Regular Thread - Inch) | 162 | 2 | 042-5012-00 | 5mm x 1.25" Key |
| 52 | 4 | 018-0061-00 | 3/8-16 x 2 Hex/ Trilobe Horizontal Engine Bolt | 163 | 1 | 042-5020-00 | 1/4 x 2 Square key Stock |
| 55 | 2 | 018-2006-00 | 5/16 x 1 1/4 Hex Bolt | 169 | 1 | 050-3001-00 | 2019 Rogue/Renegade Left Pump 16cc |
| 68 | 2 | 018-4703-00 | 5/16" x 1 1/4" Carriage Bolt | 169.1 | 1 | 050-3001-00 | 2019 Rogue/Renegade Left Pump 16cc |
| 69 | 4 | 018-4706-00 | 3/8 x 1 1/2 Carriage Bolt | 169.2 | 1 | 015-9999-00 | Hydraulic Fan |
| 70 | 2 | 018-5007-00 | 5/16" x 3/4" Button Head Bolt | 169.3 | 1 | 014-5600-00 | Fan Guard 6" Fits wheel Motor Pumps |
| 72 | 2 | 018-5040-00 | 3/8" x 1 1/4" Hex Bolt | 170 | 1 | 050-3003-00 | 2019 Outlaw Renegade Right Pump 16cc |
| 75 | 6 | 018-6014-00 | Hexagon Socket Button Head Cap Screw | 170.1 | 1 | 050-3003-00 | 2019 Outlaw Renegade Right Pump 16cc |
| 77 | 2 | 018-6049-00 | 3/8" x 1" Hex Bolt | 170.2 | 1 | 015-9999-00 | Hydraulic Fan |
| 81 | 1 | 018-7060-00 | 3/8-16 x 5 1/2 Hex Bolt | 170.3 | 1 | 014-5600-00 | Fan Guard 6" Fits wheel Motor Pumps |
| 84 | 2 | 018-8065-00 | 5/16" x 1" Carriage Bolt | 172 | 4 | 051-6007-00 | 2019 Renegade Hydro Hose |
| 85 | 2 | 018-8066-00 | 5/16" x 7/8" Carriage Bolt | 176 | 2 | 057-5915-00 | Pump Plate Clip Nut Holder |
| 88 | 2 | 019-4008-00 | 1/4" Lock Washer | 177 | 1 | 057-5919-00 | 2019 Outlaw Renegade Clutch Bracket |
| 90 | 4 | 019-5037-00 | 3/8" Lock Washer | 180 | 1 | 063-8018-00 | Briggs Oil Filter |
| 94 | 2 | 019-7040-00 | 1/4" Flat Washer | 197 | 1 | 070-2000-00 | Clutch Pigtail |
| 96 | 4 | 019-8044-00 | 5/16" Flat Washer | 198 | 1 | 070-5040-00 | Clutch for Diesel/Vanguard |
| 97 | 2 | 019-8051-00 | 5/16" Lock Washer | 210 | 1 | 086-9001-19 | 2019 Harness Adaptor - 36 Vanguard Carberated (35HP Only) |
| 98 | 5 | 019-8053-00 | 7/16" Lock Washer | 211 | 1 | 086-9013-00 | 2019 Harness Adaptor-Vanguard 37 EFI (37HP Only) |
| 104 | 4 | 024-2052-00 | 2019 Outlaw 90 Degree Pump Fitting #6801-10-08 | 222 | 1 | 051-8076-00 | 3/8 hose 4" long |
| 106 | 2 | 024-5002-00 | 90 Degree Fitting, 1/2 x 3/4, 4601-8-8 | | | | |



BAD BOY MOWERS

PARTS SECTION: SUBS





BAD BOY MOWERS

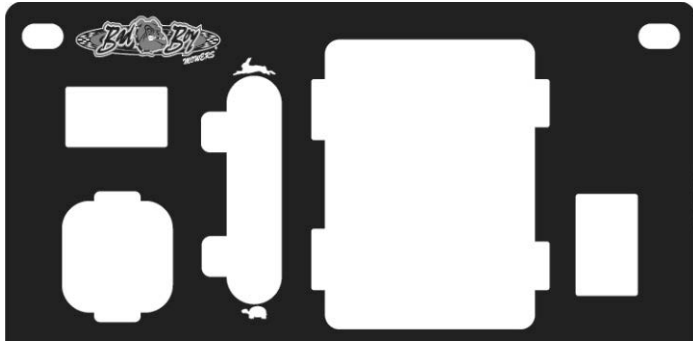
PARTS SECTION: SUBS

| 067-0020-19 | | | | 079-3482-19 | | | |
|-------------|-----|-------------|--|-------------|-----|-------------|---|
| ITEM | QTY | PART NUMBER | DESCRIPTION | ITEM | QTY | PART NUMBER | DESCRIPTION |
| 186 | 1 | 067-0020-19 | 2019 Outlaw EPA Cannister Assembly | 206 | 1 | 079-3482-19 | Renegade Control Panel Assembly |
| 186.1 | 1 | 067-0020-00 | Carbon Canister | 206.1 | 1 | 079-3482-00 | 2019 Outlaw Digital Control Panel |
| 186.2 | 2 | 072-8073-00 | 3/16" Vinyl Hose Clamp | 206.2 | 1 | 086-0013-00 | 2019 LED Display |
| 186.3 | 6 | 072-8070-00 | 3/16" Vinyl Clamp | 206.3 | 1 | 077-2076-00 | USB Port |
| 186.4 | 1 | 051-2025-66 | 3/16" Vinyl Tubing, 66" Long | 206.4 | 1 | 056-8058-00 | PTO Switch |
| 186.5 | 3 | 051-8072-38 | 1/4" Vinyl Tubing 38" Long | 206.5 | 1 | 055-2013-00 | Throttle Knob |
| 186.6 | 1 | 073-8068-00 | fuel line T | 206.6 | 1 | 055-2012-00 | Universal Throttle |
| | | | | 206.7 | 2 | 018-5200-00 | 10-24 X 5/8 BS Button Head Bolt |
| | | | | 206.8 | 2 | 018-1040-00 | Light Plug |
| | | | | 206.9 | 2 | 013-5019-00 | 10-24 Nylon Insert Locknut |
| | | | | 206.10 | 1 | 077-0004-00 | 2019 Push to Start Switch w/fob |
| 051-2019-22 | | | | Hydro Tanks | | | |
| ITEM | QTY | PART NUMBER | DESCRIPTION | ITEM | QTY | PART NUMBER | DESCRIPTION |
| 171 | 1 | 051-2019-22 | 2019 Rebel Rogue Renegade Fuel Line for Vanguard | 189 | 1 | 067-8054-18 | RH Rogue Hydro Tank Assy |
| 171.1 | 1 | 073-8069-00 | 5/16 x 5/16 x 1/4 Fuel Line T | 189.1 | 1 | 067-8054-00 | 2019 Right Outlaw Gen2 Hydro Tank Suspension Only |
| 171.2 | 2 | 072-8069-00 | 1/4 Fuel Hose Clamp | 189.2 | 1 | 063-8014-00 | Hydraulic Filter |
| 171.3 | 2 | 072-8068-00 | 5/16 Fuel Line Clamp | 189.3 | 1 | 066-8050-00 | Hydraulic Tank Cap W/Dipstick |
| 171.4 | 2 | 051-8075-26 | 5/16" fuel line hose | 189.4 | 2 | 072-8066-00 | 1/2 Hose Clamp |
| 171.5 | 1 | 051-8067-22 | 1/4" Fuel Line Hose | 189.5 | 1 | 051-8064-21 | 1/2 Clear Braded Hose Priced/Foot |
| 031-0031-00 | | | | 188 | 1 | 067-8053-18 | LH Rogue Hydro Tank Assy |
| ITEM | QTY | PART NUMBER | DESCRIPTION | 188.1 | 1 | 067-8053-00 | 2019 Left Outlaw Gen2 Hydro Tank Suspension Only |
| 139.1.1 | 1 | 031-0031-10 | 2019 Drive Arm Actuator left - Weldment | 188.2 | 1 | 063-8014-00 | Hydraulic Filter |
| 139.1.2 | 1 | 024-6034-00 | 1/4" Press in Grease Fitting | 188.3 | 1 | 066-8050-00 | Hydraulic Tank Cap W/Dipstick |
| 139.1.3 | 2 | 031-0032-00 | 2019 Drive Arm Bushing | 188.4 | 2 | 072-8066-00 | 1/2 Hose Clamp |
| 031-0030-00 | | | | 188.5 | 1 | 051-8064-21 | 1/2 Clear Braded Hose Priced/Foot |
| ITEM | QTY | PART NUMBER | DESCRIPTION | | | | |
| 138.1.1 | 1 | 031-0030-10 | 2019 Drive Arm Actuator right - Weldment | | | | |
| 138.1.2 | 1 | 024-6034-00 | 1/4" Press in Grease Fitting | | | | |
| 138.1.3 | 2 | 031-0032-00 | 2019 Drive Arm Bushing | | | | |



BAD BOY MOWERS

PARTS SECTION: DECALS



091-4029-00

RENEGADE (GAS) CONTROL PANEL DECAL



091-1101-18

BRAKE DECAL



091-0313-00

LOGO DECAL



091-4040-00

MIL DECAL



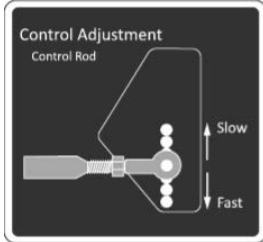
091-4037-00

DECK RELEASE DECAL



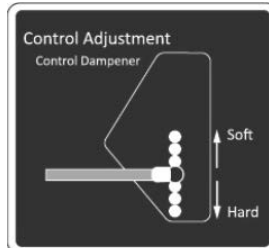
091-8001-00

DECK IMPACT PATENT DECAL



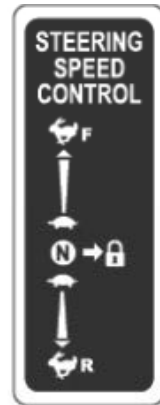
091-4038-00

CONTROL ROD DECAL



091-4039-00

CONTROL DAMPENER DECAL



091-1114-00

STEERING CONTROL DECAL



091-3150-00

WARNING DECAL



091-4015-00

RENEGADE COOLER COVER DECAL



BAD BOY MOWERS

PARTS SECTION: DECALS



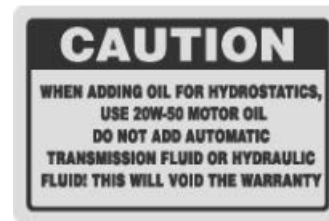
091-4013-00
993cc-EFI DECAL



091-3012-00
DANGER DECAL



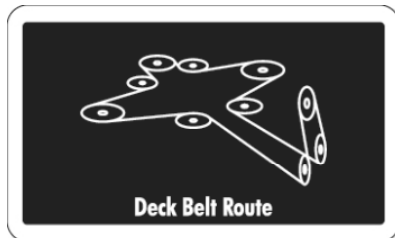
091-4042-00
DECAL



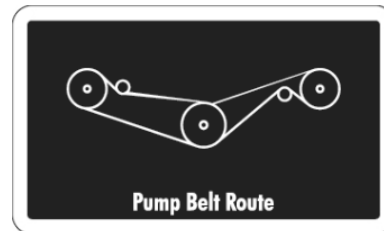
091-1020-00
HYDRAULIC DECAL



091-4002-00
POWERED BY VANGUARD DECAL



091-4033-00
RENEGADE DECK BELT DECAL



091-4032-00
RENEGADE PUMP BELT DECAL



091-0917-18
61\"/>



091-0918-18
72\"/>



BAD BOY MOWERS

2019 LIMITED WARRANTY FOR BAD BOY COMMERCIAL MOWER (REVOLT, REBEL, ROUGE, and RENEGADE)

1. WHAT THIS WARRANTY COVERS, AND FOR HOW LONG:

Bad Boy, Inc. will, at its option, repair or replace, without charge, any part covered by the warranty which is found to be defective in material and/or workmanship for two (2) years * after the date of sale to the original retail purchaser unless the product is used for rental purposes, in which case this warranty is limited to ninety (90) days.

The leading edge of the deck shell will be warranted for the entire lifetime of the machine to the original purchaser against defects in materials and workmanship. Labor required to repair or replace the leading edge of the deck shell will be covered by Bad Boy Inc. for two years and at the unit owner's expense during the balance of the lifetime of the machine.

Belts are warranted for a period of ninety (90) days against materials or workmanship defects.

Seats are warranted for a period of (6) months against material or workmanship defects.

At Bad Boy, Inc.'s request, customer will make the defective part available for inspection by Bad Boy, Inc. and/or return the defective part to Bad Boy, Inc., transportation charges prepaid.

2. WHAT THIS WARRANTY DOES NOT COVER:

- A. This warranty does not cover defects caused by depreciation or damage caused by normal wear, accidents, improper maintenance, improper use or abuse of the product, alterations, or failure to follow the instruction contained in the Owner's Manual for operation and maintenance.
- B. The customer shall pay any charges for making service calls and/or for transporting the mower to and from the place where the inspection and/or warranty work is performed.
Bad Boy Inc will not be responsible for the pickup and delivery of a machine for warranty purposes.
- C. Engines are warranted separately by their respective manufacturer. The available warranties covering this item are furnished with each mower. Bad Boy, Inc does not assume any warranty obligation, liability or modification for this item, which is covered exclusively by the stated warranty of the respective manufacturers.
- D. Tires, blades, deck anti-scalping wheels, and dust covers are considered to be consumable wear items and are therefore not warranted.
- E. Batteries are warranted for six months (free replacement) from the retail purchase date against materials or workmanship defects. The battery warranty must be obtained through the battery manufacturer.
- F. Normal maintenance services such as oil change, cleaning, lubrication, adjustment.
- G. Replacement of services, items, such as oil, lubricants, spark plugs, belts, rubber hoses or other items subject to normal service replacement.

3. HOW TO OBTAIN SERVICE UNDER THIS WARRANTY:

- A. Warranty service can be arranged by contacting the dealer where you purchased the mower. Proof of the date of purchase may be required to verify warranty coverage. Warranty repairs must be completed by an authorized Bad Boy center.
- B. Warranty claims will not be reviewed or paid unless the warranty registration is received by Bad Boy, Inc. within 30 days of the retail purchase date.
- C. Warranty claims requiring parts returned will be settled upon return of parts to Bad Boy for inspection.
- D. All warranty issues must be handled through an authorized service center or dealership.

4. WARRANTY LIMITATION:

- A. **THERE IS NO OTHER EXPRESS WARRANTY. ANY WARRANTY THAT MAY BE IMPLIED FROM THIS PURCHASE INCLUDING MERCHANTABILITY AND FITNESS FOR A PARTICULAR PURPOSE IS HEREBY LIMITED TO THE DURATION OF THIS WARRANTY AND TO THE EXTENT PERMITTED BY LAW ANY AND ALL IMPLIED WARRANTIES ARE EXCLUDED.** Some states do not allow limitations on how long an implied warranty lasts, so the above limitations may not apply to you.

- B. **BAD BOY, INC. WILL NOT BE LIABLE FOR ANY INCIDENTAL, CONSEQUENTIAL, OR SPECIAL DAMAGES AND/OR EXPENSES IN CONNECTION WITH THE PURCHASE OR USE OF THE MOWER.** Some states do not allow the exclusion or limitation of incidental or consequential damages, so the above limitation(s) or exclusion(s) may not apply to you.

- C. Only the warranty expressed in this limited warranty shall apply and no dealer, distributor, or individual is authorized to amend, modify, or extend this warranty in any way. Accordingly, additional statements such as dealer advertising or presentations, whether oral or written, do not constitute warranties by Bad boy, Inc., and should not be relied on.
- D. This warranty extends only to turf equipment operated under normal conditions and properly serviced and maintained. The warranty expressly does not cover (i) any defects, damage or deterioration due to normal use, wear and tear, or exposure; (ii) normal maintenance services such as oil change, cleaning, lubrication, adjustment; (iii) replacement of services, items, such as oil, lubricants, spark plugs, belts, rubber hoses or other items subject to normal service replacement; (iv) damage or defects arising out of or relating to misuse, neglect, alteration, negligence or accident; (v) repair or replacement arising from operation of or use of the turf equipment which is not in accordance with operating instructions as specified in the operator's manual or other operational instructions provided by Bad Boy Inc.; (vi) repair or replacement arising as a result of any operation from turf equipment that has been altered or modified so as to, indetermination of Bad Boy, Inc., adversely affect the operation, performance or durability of the equipment or that has altered, modified or affected the turf equipment so as to change the intended use of the product; (vii) repair or replacement necessitated by use of parts, accessories or supplies, including gasoline, oil or lubricants, incompatible with the turf equipment or other than as recommended in the operator's manual or other operational instructions provided by Bad Boy, Inc.; (viii) repairs or replacements resulting from parts or accessories which have adversely affected the operation, performance or durability of the turf equipment; or (ix) damage or defects due to or arising out of repair of turf equipment by person or persons other than an authorized Bad Boy, Inc., service dealer or the installation of parts other than genuine Bad Boy, Inc., recommended parts.
As a condition to this warranty, customer shall have read the operator's manual and ensured the mower has been registered within 30 days of purchase.
- E. This warranty gives you specific legal rights, and you may also have other rights, which vary from state to state.



BAD BOY, INC.

102 INDUSTRIAL DRIVE

BATESVILLE, AR 72501

WWW.BADBOYMOWERS.COM

Technical Support:.....techsupport@badboymowers.com

Warranty:warranty@badboymowers.com

Parts:partsdept@badboymowers.com

WARRANTY REGISTRATION

**Ensure selling dealership has registered mower within
30 days of purchase to validate warranty.**

Please record your serial number, date of purchase and dealership information
for your records.

Serial # _____

Date of Purchase _____

Dealer Information _____

NOTES:



**BAD BOY
MOWERS**

www.badboymowers.com

Bad Boy, Inc.

102 Industrial Drive

Batesville, Arkansas 72501