



www.badboymowers.com

PARTS MANUAL FOR BAD BOY DIESEL MODELS

2009



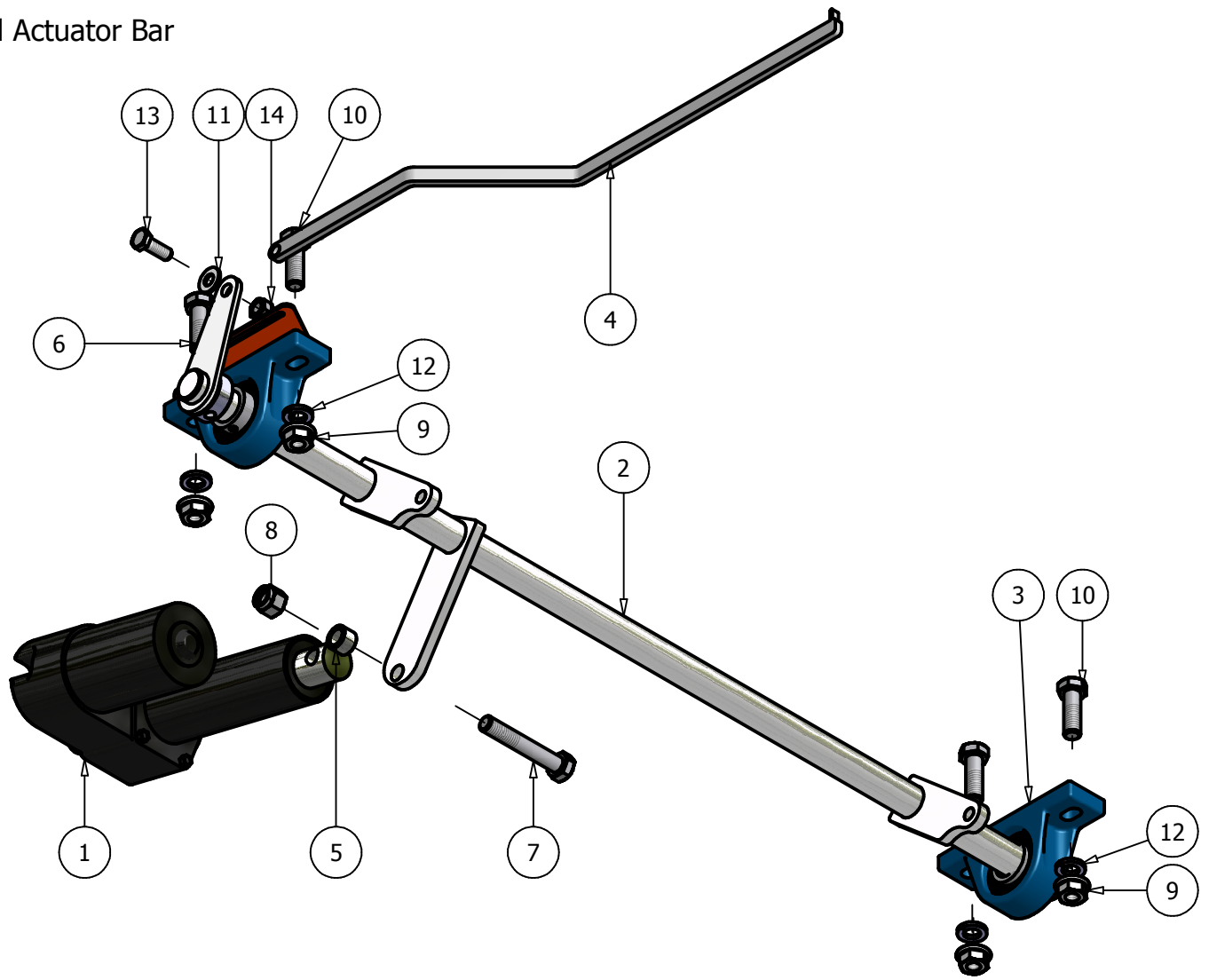
35hp Caterpillar
28hp Caterpillar



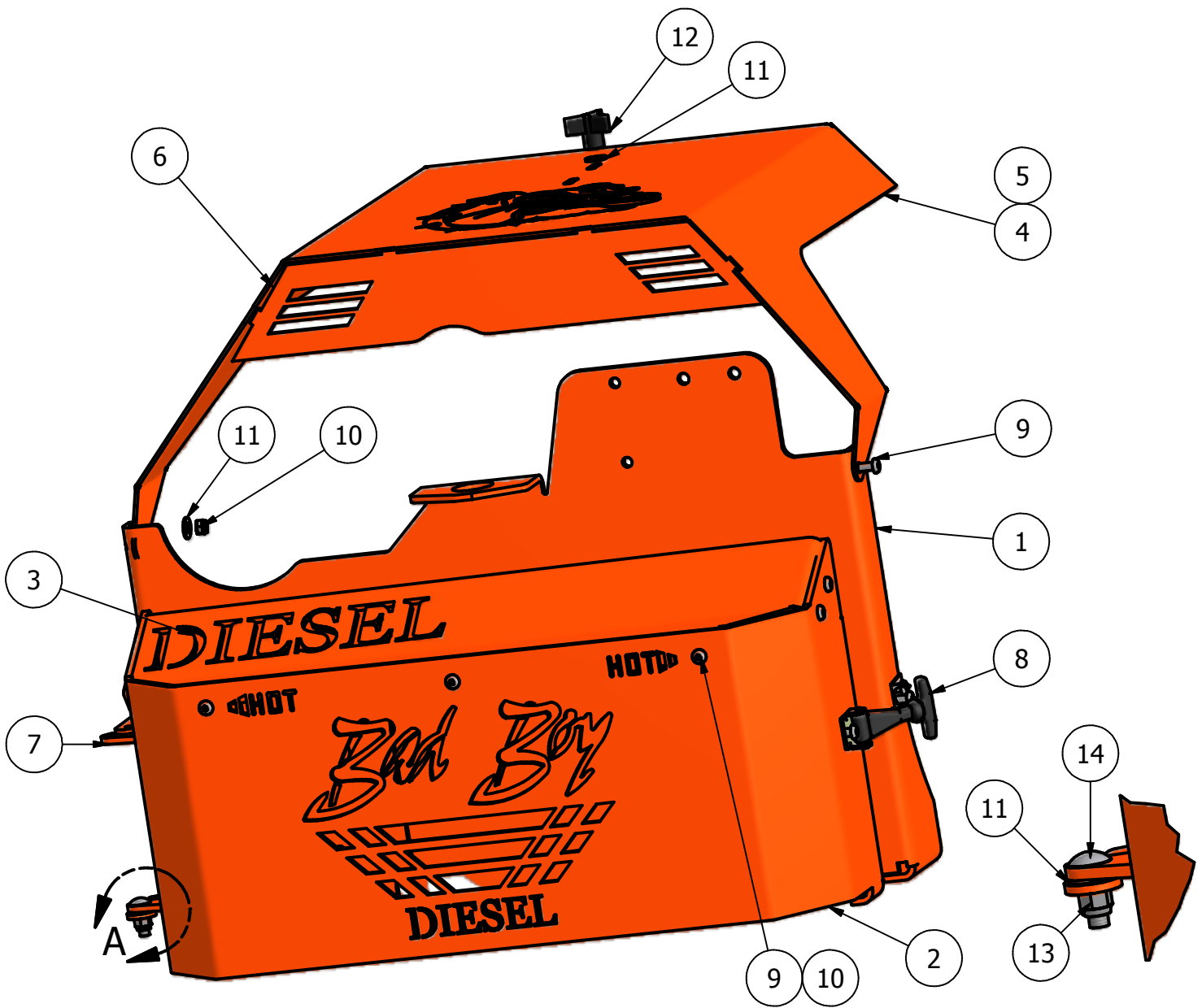
www.badboymowers.com

Actuator Bar	3
Back Panel/Hood	4
AOS Clutch Assembly	5,6
Wheel Motor	7,8
Floor Panel	9
Seat Frame	10
Drive Arm	11,12
Front Wheel Assembly - Suspension	13
Rear Suspension	14
Fuel Tanks	15
Spindle	16
Hydraulic Cooler	17
Engine	18,19
Rear Pulley Assembly	20
Air Filter	21
60" Deck	22,23
72" Deck	24,25
Wiring Schematic	26
Technical Support	27

Diesel Actuator Bar



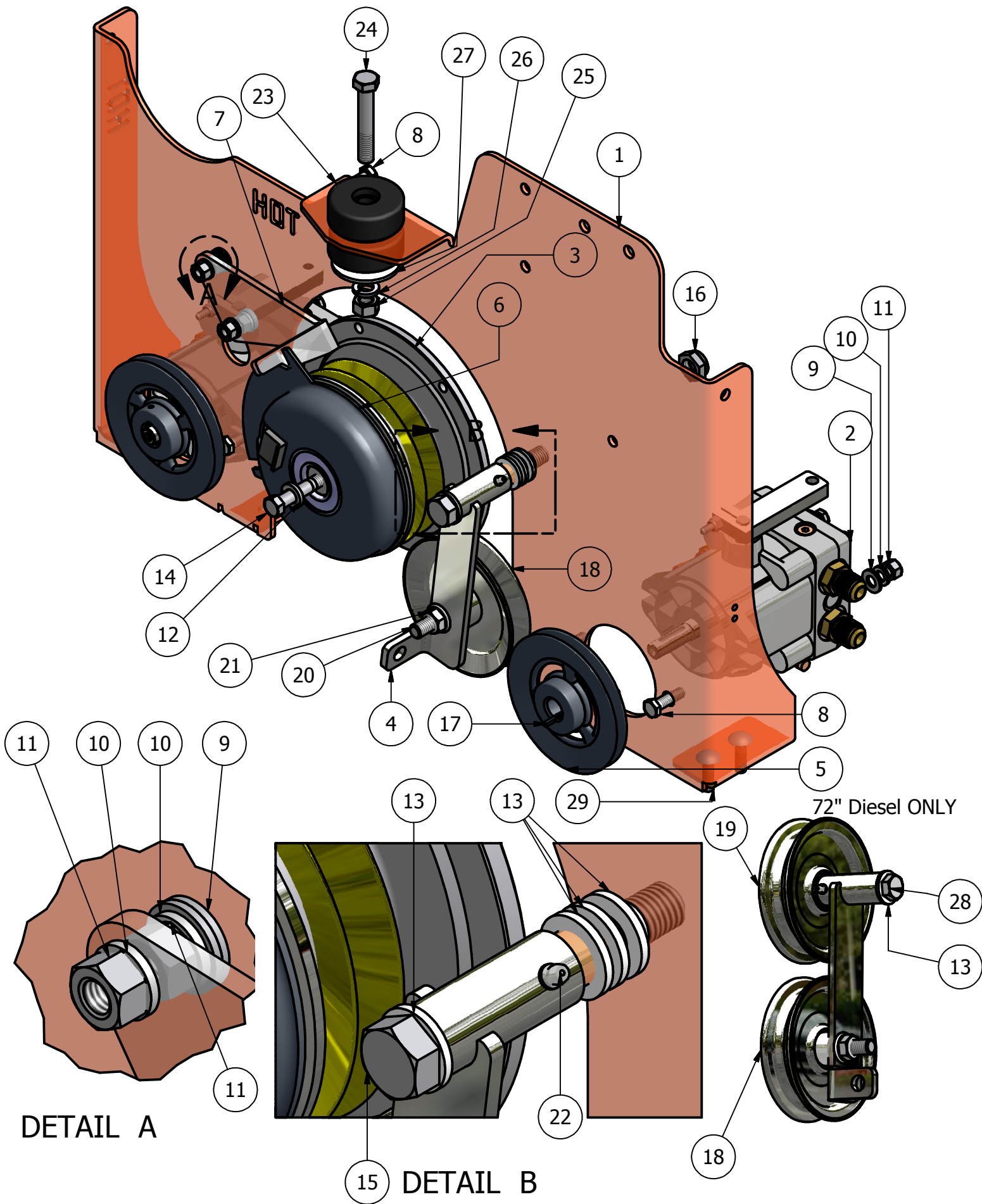
Actuator Bar			
ITEM	QTY	PART NUMBER	DESCRIPTION
1	1	035-7033-00	Actuator
2	1	028-7930-00	Actuator Bar
3	2	017-7008-00	1" Pillow Block
4	1	028-5203-00	Height Indicator
5	2	019-5702-00	1/2" Washer
6	1	031-7000-00	2006 Height Indicator Lever
7	2	018-6036-00	1/2" x 2 1/2" Hex Bolt
8	2	013-6037-00	1/2" Nylock Nut
9	4	013-5300-00	1/2" Flange Nut
10	4	018-5600-00	1/2" x 1 1/2" Hex Bolt
11	1	019-6042-00	.360 ID Plastic Washer
12	4	019-5007-00	1/2" Lock Washer
13	1	018-6049-00	3/8" x 1" Hex Bolt
14	1	013-5041-00	3/8 Nylock Nut



DETAIL A
SCALE 1 / 3

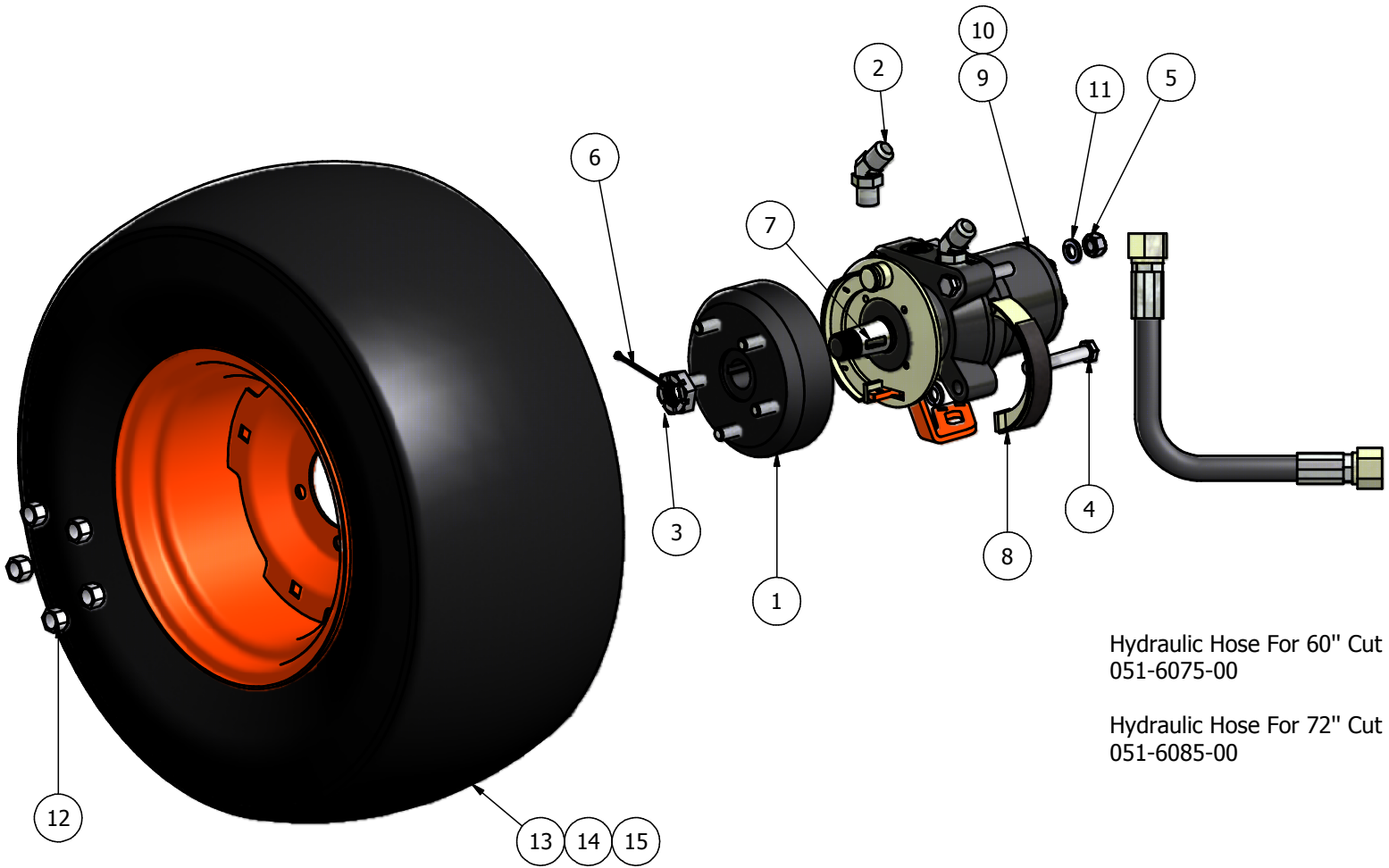
Parts List			
ITEM	QTY	PART NUMBER	DESCRIPTION
1	1	026-8030-00	Pump Plate
2	1	014-5920-00	Back Pump Cover
3	1	059-8000-00	Top Back Cover
4	1	059-8010-00	35 HP Hood
5	1	059-8020-00	28 HP Hood
6	1	059-8011-00	Back Cover For Hood
7	1	039-0070-00	Pump Cover Hinge
8	1	052-5020-00	Pump Cover Latch
9	9	018-5007-00	5/16" x 3/4" Bolt
10	9	013-8047-00	5/16" Nylock Nut
11	5	019-6042-00	.360 ID Plastic Washer
12	1	045-6043-00	5/16" Knob
13	2	013-8047-00	5/16" Nylock Nut
14	2	018-8065-00	5/16" x 3/4" Carraige Bolt

Diesel Pump Plate

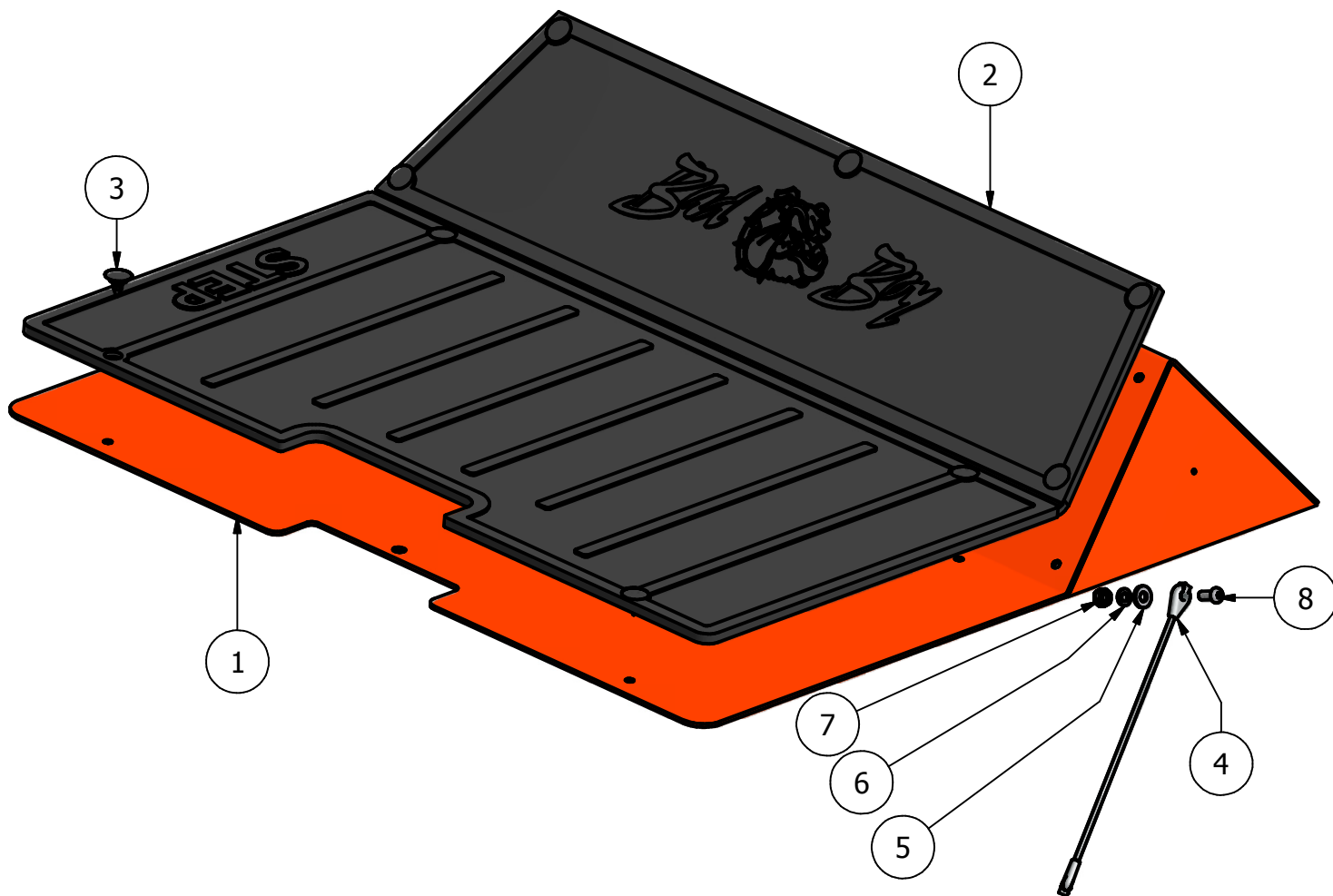


Diesel Clutch Assembly			
ITEM	QTY	PART NUMBER	DESCRIPTION
1	1	026-8030-00	Diesel Pump Plate
2	2	050-5308-00/ 050-5407-00	Hydraulic Pump (16A) Left/ Right
3	1	017-3000-00	Stub Shaft
4	1	039-5944-00	Pump Idler Bracket
5	2	033-5011-00	5" Pump Pulley
6	1	070-5040-00	Diesel Clutch
7	1	057-5906-00	PTO Engager Holder
8	6	018-6012-00	3/8" x 1 1/2" Hex Bolt
9	8	019-5029-00	3/8" Flat Washer
10	8	019-5037-00	3/8" Lock Washer
11	8	013-6014-00	3/8" Hex Nut
12	1	019-8053-00	7/16" Lock Washer
13	4	019-6017-00	.635 ID Plastic Washer
14	1	018-5401-00	7/16" x 2 3/4" Fine Thread Bolt
15	1	018-5312-00	5/8" x 4 1/2" Hex Bolt (60")
16	1	013-5301-00	5/8" Nylock (1/2 Jam)
17	2	042-5012-00	5mm x 1.25" Key
18	1	033-6001-00	4 3/4" Idler Pulley
19	1	033-4050-00	Diesel Idler Pulley
20	1	018-6036-00	1/2" x 2 1/2" Bolt
21	1	013-8050-00	1/2" Nylock Flange Nut
22	1	024-6034-00	Grease Fitting
23	1	032-4000-00	Rubber Isolator
24	1	018-7016-00	1/2" x 3" Hex Bolt
25	1	013-7018-00	1/2" Hex Nut
26	1	019-5007-00	1/2" Lock Washer
27	1	032-4001-00	Vibration Mount Snubbing Washer
28	1	018-6016-00	5/8" x 5 1/2" Hex Bolt (72")
29	6	018-5043-00	3/8" x 1 1/4" Carriage Bolt

AOS Wheel Motor/Tire and Wheel Assembly

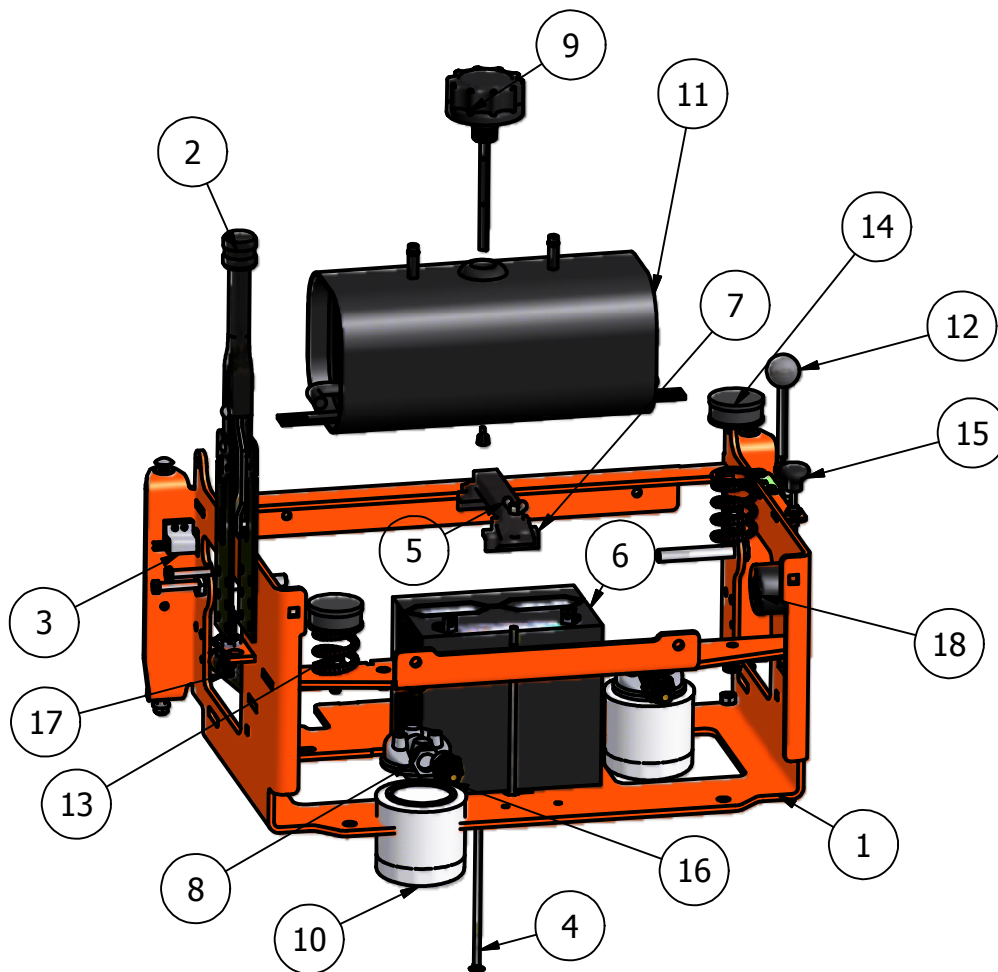


Parts List			
ITEM	QTY	PART NUMBER	DESCRIPTION
1	1	092-6000-00	Brake Drum
2	2	024-2050-00	Hydraulic Fitting
3	1	013-7050-00	Castle Nut
4	4	018-7016-00	1/2" - 13 x 3" GRS Hex Bolt Zinc
5	4	013-7018-00	1/2" Hex Nut
6	1	020-7022-00	1/8"x2 1/4" Cotter Pin
7	1	042-7041-00	Woodruff Key
8	2	092-6050-00	Brake Pads
9	1	015-5006-98	Wheel Motor and Drum Brake Combo-18E Right
10	1	015-5007-98	Wheel Motor and Drum Brake Combo-18E Left
11	4	019-5007-00	1/2" Lock Washer
12	5	013-3000-00	Acorn Lug Nut
13	1	022-7033-00	12" Rim
14	1	022-7032-00	26" x 12-12 Tire -60"&72" Cut
15	1	022-7031-00	26" Tire and Wheel Assembly



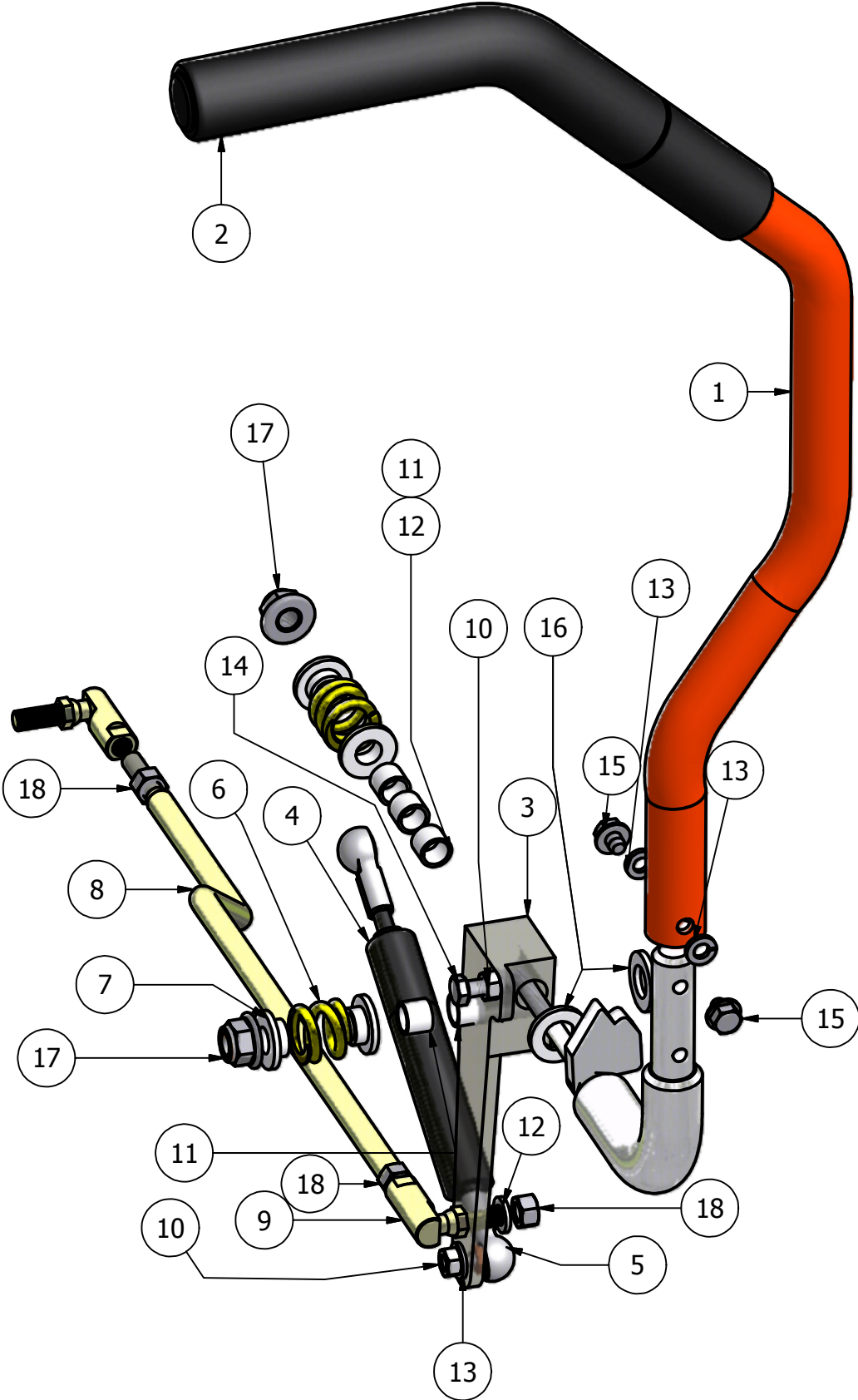
Parts List			
ITEM	QTY	PART NUMBER	DESCRIPTION
1	1	079-6000-00	2006 AOS Floor Panel
2	1	081-2007-00	AOS Floor Mat
3	9	018-1050-00	Ratchet Fastener
4	1	064-2005-00	Floor Board Cable
5	1	019-7040-00	1/4" Flat Washer
6	1	019-4008-00	1/4" Lock Washer
7	1	013-8039-00	1/4" Hex Nut
8	1	018-8064-00	1/4" x 5/8" Buttonhead Bolt

2009 Seat Frame

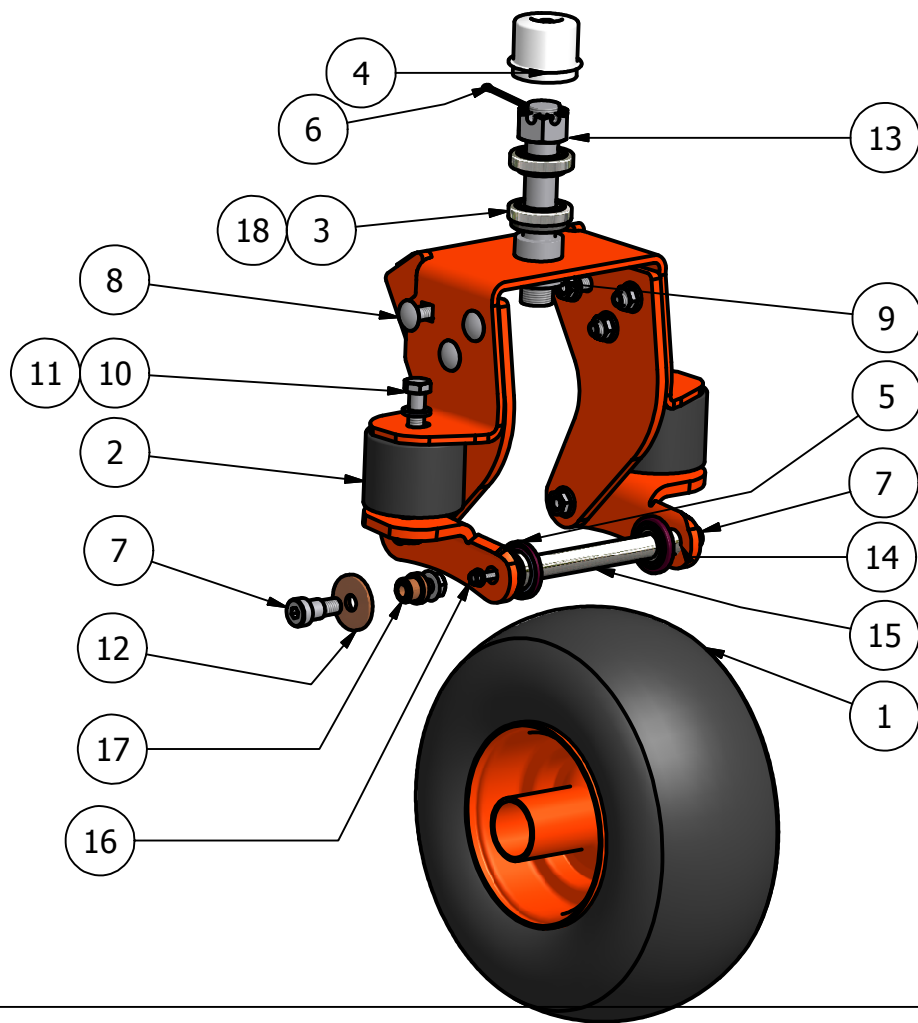


Parts List			
ITEM	QTY	PART NUMBER	DESCRIPTION
1	1	080-6010-00	Seat Frame
2	1	069-8054-00	Brake Lever
3	3	077-8073-00	Safety Switch
4	2	018-8051-00	8" Stove Bolt (Diesel Gets 9")
5	2	013-8051-00	1/4" Wing Nut
6	1	068-8050-00	Battery
7	1	043-8929-00	Battery Hold-Down
8	2	062-8013-00	Filter Head
9	1	066-8050-00	Hydraulic Tank Cap
10	2	063-8014-00	Hydraulic Filter
11	1	067-2009-00	Steel Hydraulic Tank
12	1	055-8018-00	Throttle
13	2	034-8045-00	Seat Spring
14	2	014-8045-00	1 1/2" Spring Cap Cover
15	1	054-8016-00	Choke (All Kohlers 054-8017-00)
16	4	024-5203-00	Filter Head Fitting
17	1	064-8055-00	Brake Cable Short (Long)
18	1	029-8059-00	Buzzer 26 & 27 HP Kawasaki
19	1	077-6000-00	Momentary Start Switch-Diesel

Drive Arms



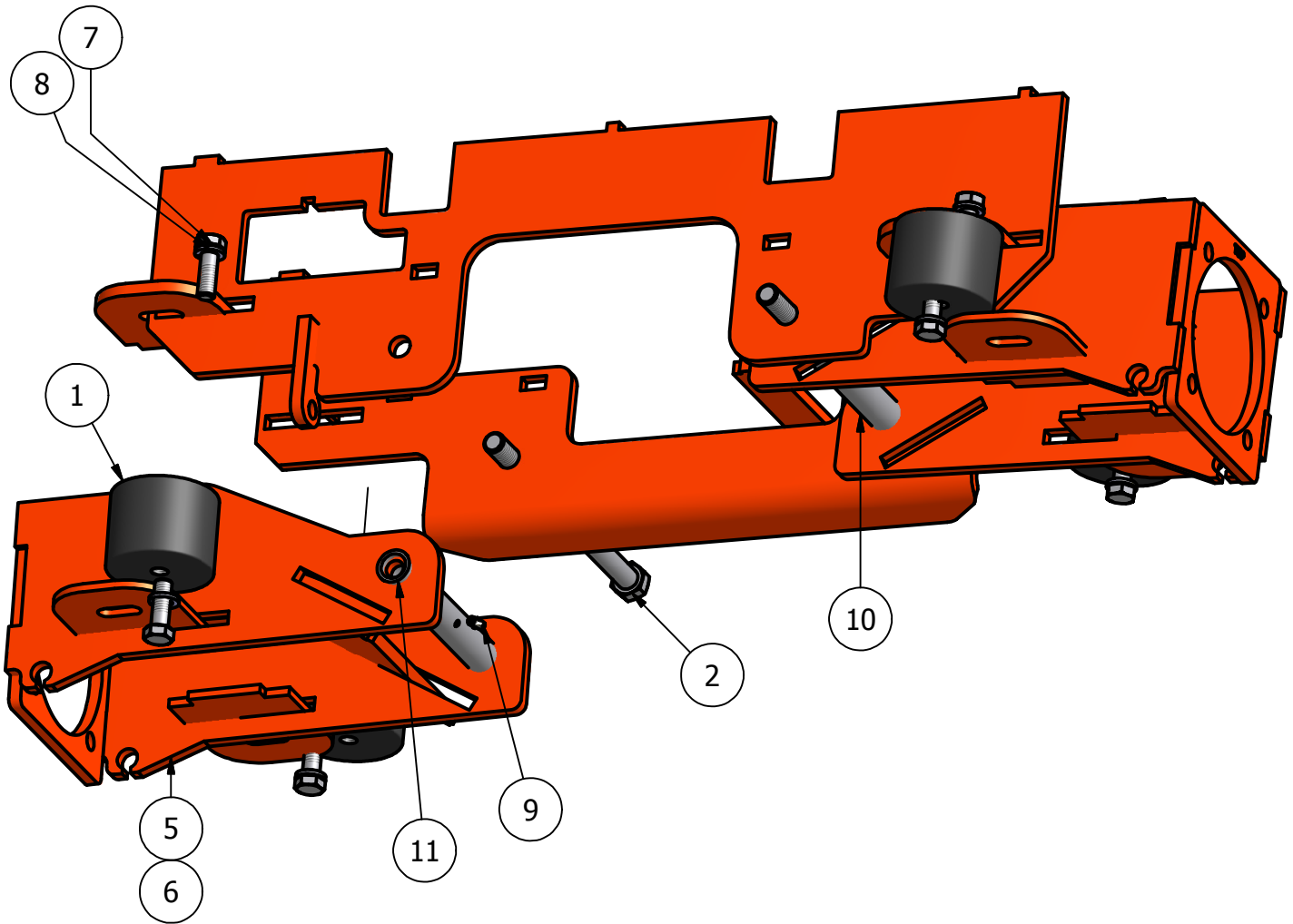
Parts List			
ITEM	QTY	PART NUMBER	DESCRIPTION
1	1	031-8822-00/031-8821-00	Right Drive Arm/Left
2	2	069-4010-00	Rubber Steering Handle
3	1	027-8819-00/027-8820-00	Left Drive Arm Lever
4	2	087-8080-00	Damper
5	2	018-2050-00	10mm Damper Ball Stud
6	4	034-8025-00	Drive Lever Spring
7	8	019-8027-00	.515 ID Nylon Shoulder Washer
8	2	035-6050-00	Push Rod
9	4	099-6046-00	3/8-24 Ball Joint
10	4	013-8043-00	5/16" Nut
11	10	032-8043-00	.507 ID Nylon Bushing
12	4	019-5037-00	3/8" Lock Washer
13	6	019-8051-00	5/16" Lock Washer
14	2	018-8063-00	5/16"x3/4" Hex Bolt
15	4	018-2007-00	5/16"x1/2" Flange Bolt
16	4	019-8054-00	.505 ID Plastic Washer
17	4	013-8050-00	1/2" Flange Lock Nut
18	8	031-6051-00	3/8" Fine Thread Nut



Parts List

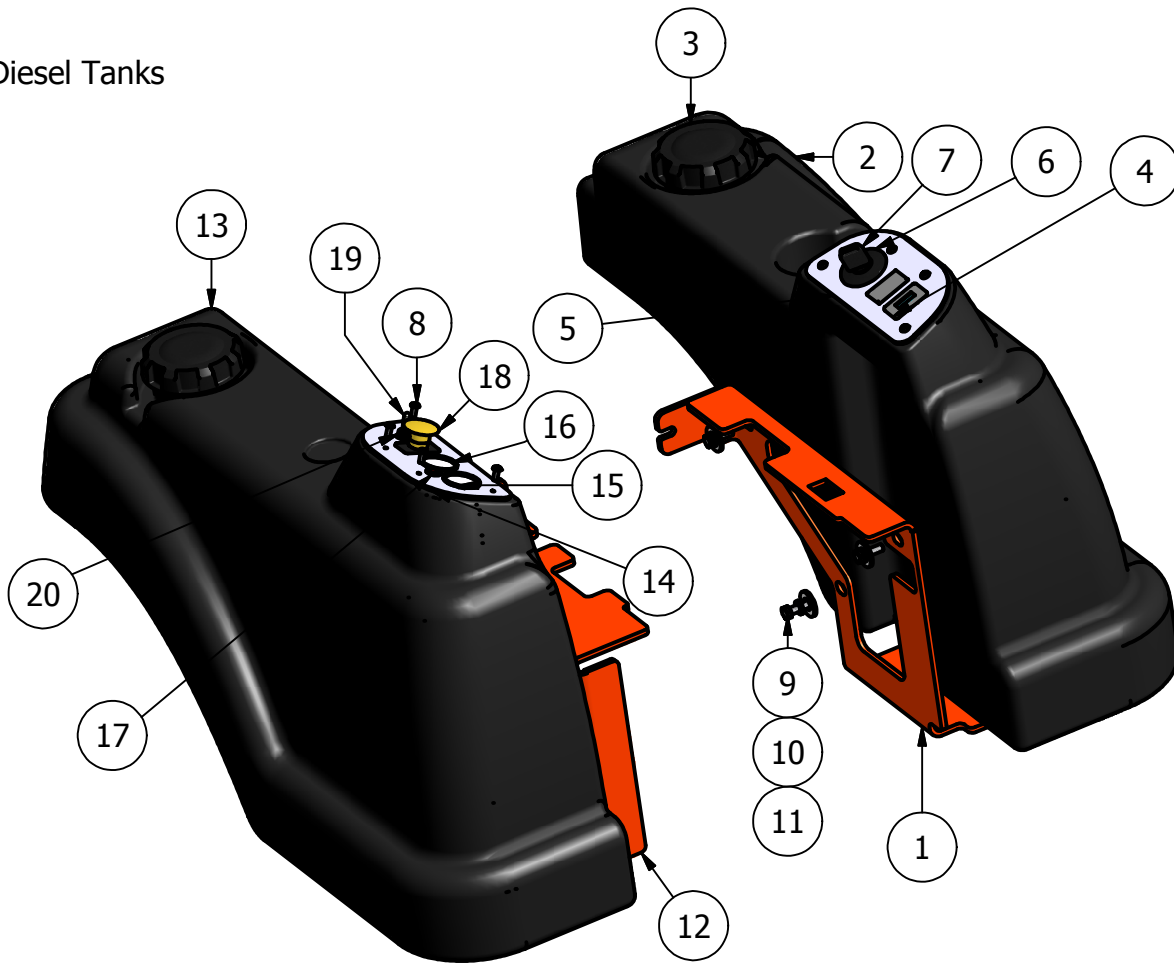
ITEM	QTY	PART NUMBER	DESCRIPTION
1	1	022-3060-00	13"x6.50-6 Tire &Wheel
2	2	032-9002-00	Rubber Isolator
3	2	010-7001-00	Bearing
4	1	014-7005-00	Dust Cover
5	2	022-7010-00	5/8" Bearing
6	1	020-7022-00	Cotter Pin
7	2	018-3001-00	5/8"x5/8" Shoulder Bolt
8	6	018-3003-00	1/2"x1 1/4"Carrige Bolt
9	8	013-5300-00	1/2" Flange Nut
10	4	018-5006-00	1/2" 1 1/2" Hex Bolt
11	4	019-5007-00	1/2" Lock Washer
12	2	019-5038-00	5/8" Flat Washer
13	1	013-7004-00	1" Fine Threaded Castle Nut
14	2	025-7036-00	1/2" ' Collar Spacer
15	1	025-5202-00	7"x 1/2" ID Tire Spacer
16	1	018-3002-00	1/2" x 10" Bolt
17	2	032-5052-00	5/8" Shoulder Bushing
18	2	011-7002-00	Race

Suspension

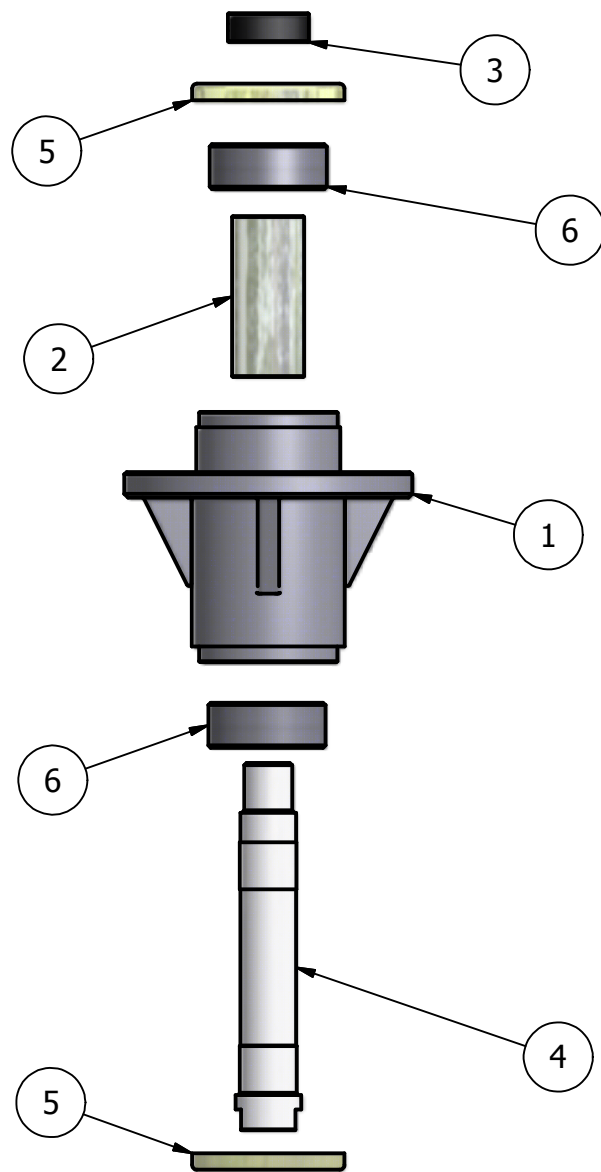


Parts List			
ITEM	QTY	PART NUMBER	DESCRIPTION
1	4	032-8999-00	Vibration Mount
2	2	018-2051-00	5/8" x 10" Hex Bolt (Grade 8)
3	2	013-5301-00	5/8" Nylock 1/2 Jam
4	2	013-5020-00	5/8" Nut
5	2	070-8000-00	60" Inner Suspension Cage
6	2	070-8001-00	72" Inner Suspension Cage
7	8	018-5006-00	1/2" x 1 1/2" Hex Bolt
8	8	019-5007-00	1/2" Lock Washer
9	2	024-6034-00	Grease Fitting (Drive-In)
10	4	032-5051-00	Shoulder Spacer
11	4	032-6033-00	3/4" Brass Bushing

Diesel Tanks

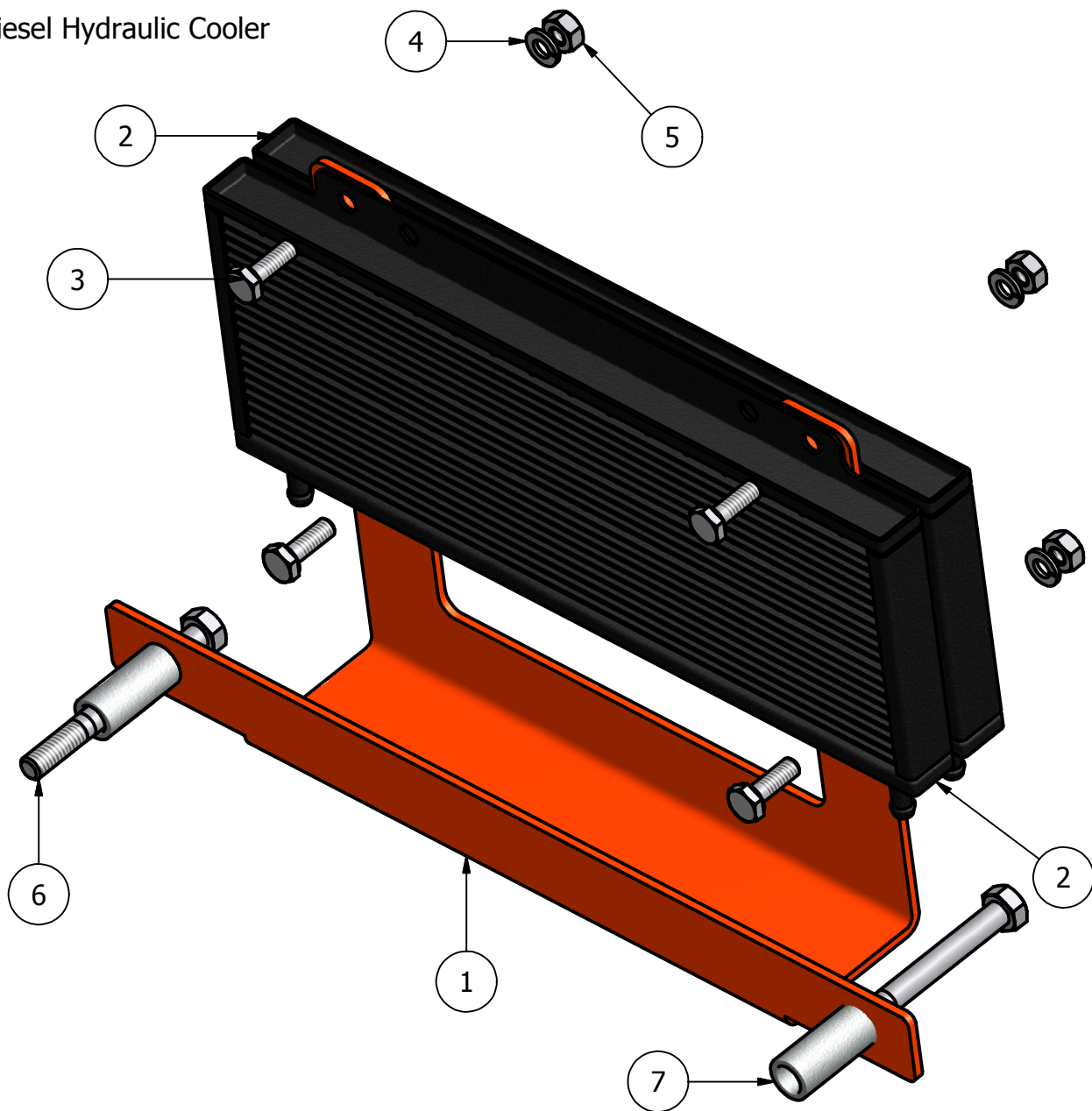


Parts List			
ITEM	QTY	PART NUMBER	DESCRIPTION
1	1	031-2006-00	Left Fuel Tank Swing Support
2	1	067-3000-00	Left Fuel Tank with Fender
3	2	066-8076-00	Diesel Fuel Cap
4	1	083-4014-00	Hourmeter-Diesel
5	1	079-3402-00	Control Panel (Left)
6	1	077-8076-00	Ignition Switch
7	1	042-9000-00	Ignition Key
8	8	018-5301-00	10mm x 32 x 1" Bolt
9	10	018-5015-00	5/16" x 1" Hex Bolt
10	10	019-8051-00	5/16" Lock Washer
11	10	019-8044-00	1 5/16" Flat Washer
12	1	031-2011-00	Right Fuel Tank Support
13	1	067-3001-00	Right Fuel Tank with Fender
14	1	079-3403-00	Diesel Control Panel (Right)
15	1	086-5001-00	Oil Gauge
16	1	086-5000-00	Temperature Gauge
17	1	089-1000-00	Oil Light
18	1	056-8058-00	PTO Engager
19	1	078-8077-00	Deck Lift Joystick
20	1	014-8077-00	Joystick Cover



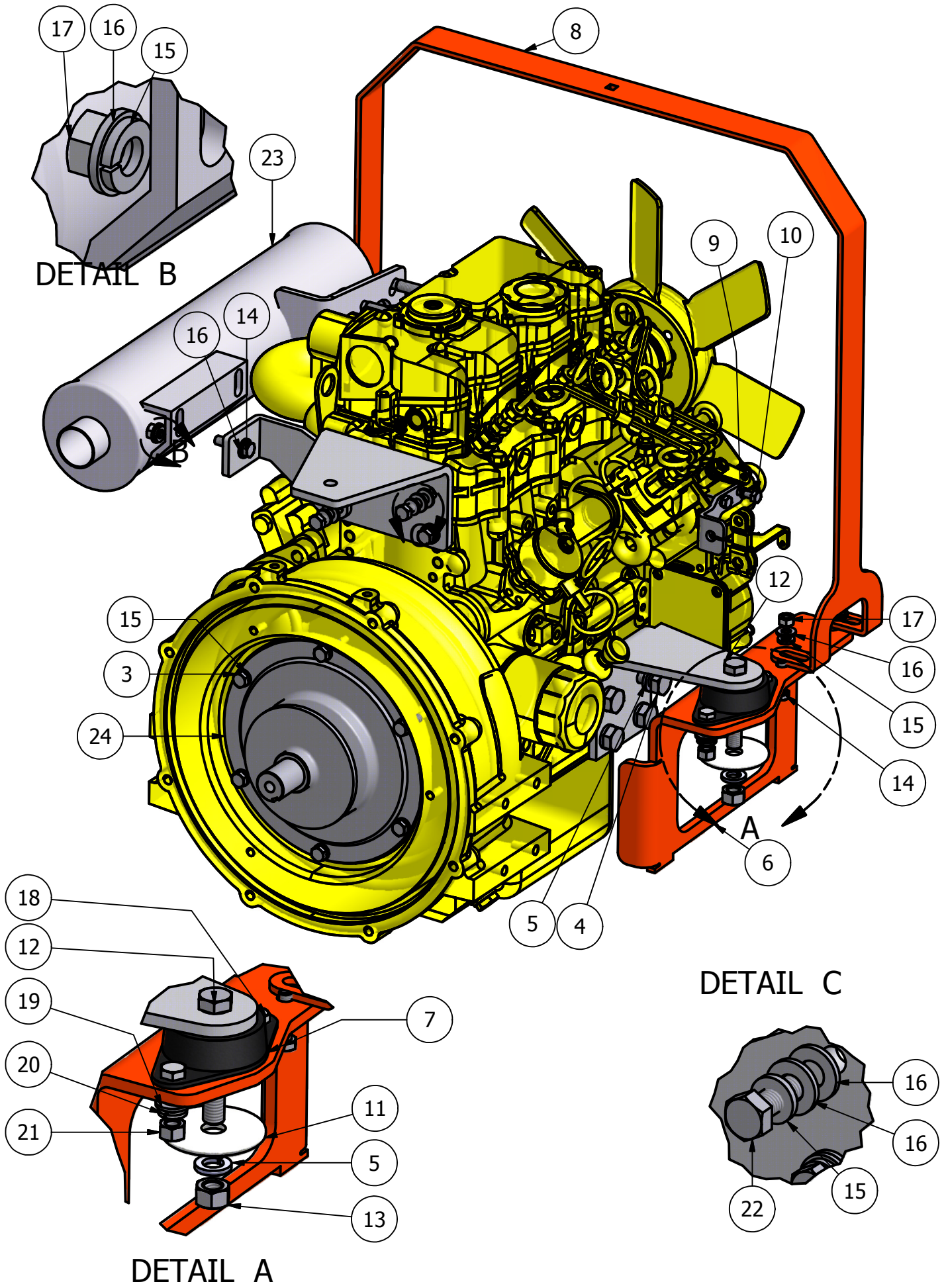
Parts List			
ITEM	QTY	PART NUMBER	DESCRIPTION
1	1	037-8005-00	Spindle Housing
2	1	037-8003-00	Spindle Spacer
3	1	037-9050-00	Spindle Collar
4	1	037-8000-00	Spindle
5	2	037-8002-00	Bearing Cover
6	2	037-8001-00	Bearing

Diesel Hydraulic Cooler

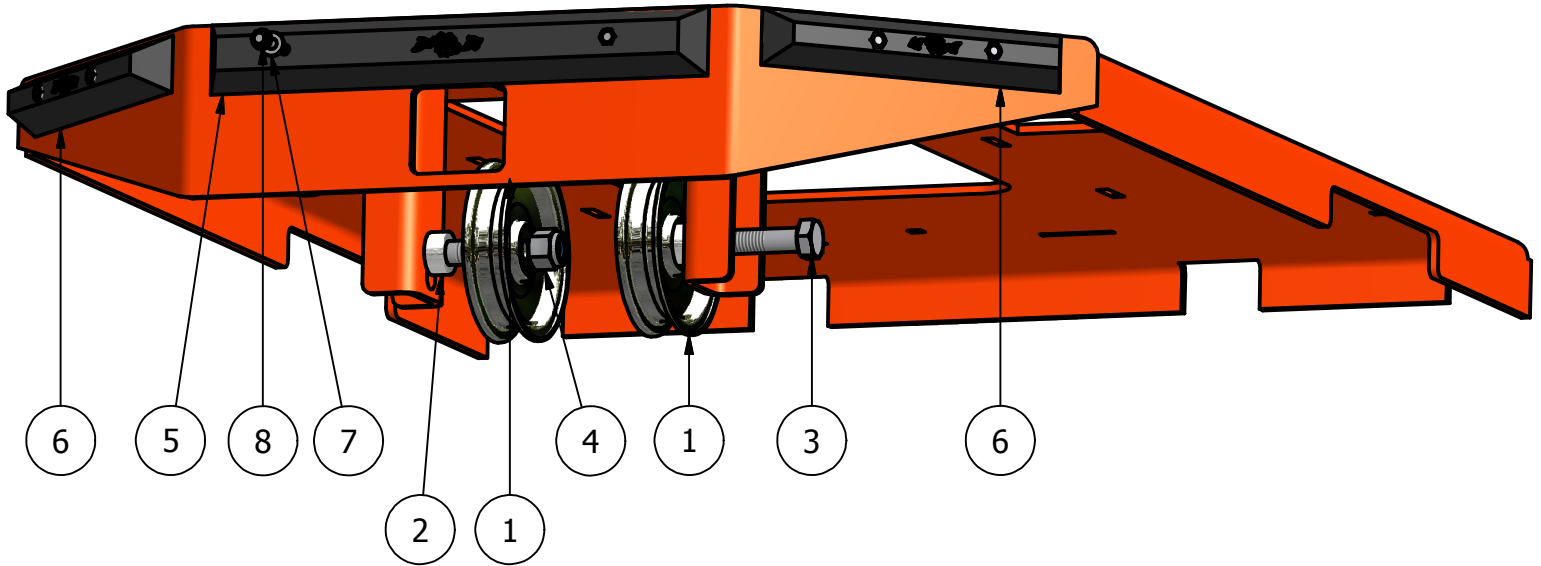


Parts List

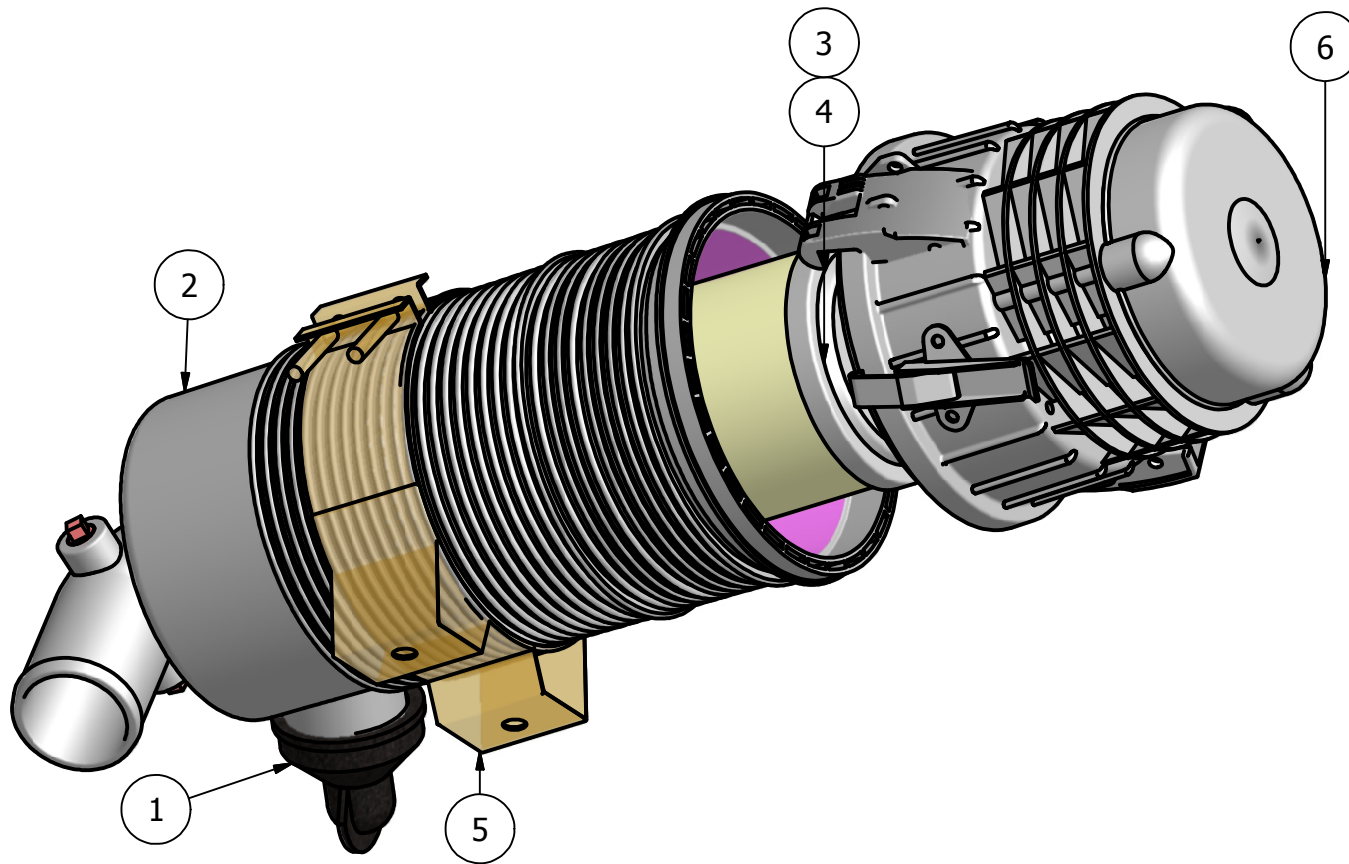
ITEM	QTY	PART NUMBER	DESCRIPTION
1	1	057-5950-00	Cooler Holder
2	2	061-8012-00	Hydraulic Cooler
3	4	018-8052-00	1/4" x 3/4" Hex Bolt
4	4	019-4008-00	1/4" Lock Washer
5	4	013-8039-00	1/4" Hex Nut
6	2	018-5355-00	5/16" x 6" Bolt (28hp)
6	2	018-4701-00	5/16" x 3" Bolt (35hp)
7	2	025-8000-00	Cooler Holder Spacer (35hp)
7	2	025-3100-00	Cooler Holder Spacer (28hp)



Parts List			
ITEM	QTY	PART NUMBER	DESCRIPTION
1	1	015-0004-00	28 hp Caterpillar Engine
2	1	015-5600-00	35hp Caterpillar Engine
3	6	018-2007-00	5/16" x 1" Bolt
4	8	018-6022-00	12mmx25mm Bolt
5	10	019-5007-00	1/2" Lock Washer
6	1	070-5510-00	28hp Diesel Frame
6	1	070-5520-00	35hp Diesel Frame
7	2	032-4050-00	Rubber Isolator
8	1	201-8001-00	Hood Holder
9	2	019-4008-00	1/4" Lock Washer
10	2	018-2000-00	6mm x 20mm Bolt
11	2	032-4051-00	Snubbing Washer
12	2	018-7016-00	1/2" x3" Hex Bolt
13	2	013-7018-00	1/2" Hex Nut
14	5	018-5025-00	5/16" x 1 1/4" Hex Bolt
15	15	019-8051-00	5/16" Lock Washer
16	12	019-8044-00	5/16" Flat Washer
17	5	013-8043-00	5/16" Nut
18	4	018-6049-00	3/8"x1" Hex Bolt
19	4	019-5029-00	3/8"Flat Washer
20	4	019-5037-00	3/8" Lock Washer
21	4	013-6014-00	3/8" Hex Nut
22	4	018-2001-00	8mmx25mm Bolt
23	1	015-0005-00	Diesel Muffler
24	1	017-3000-00	Stub Shaft



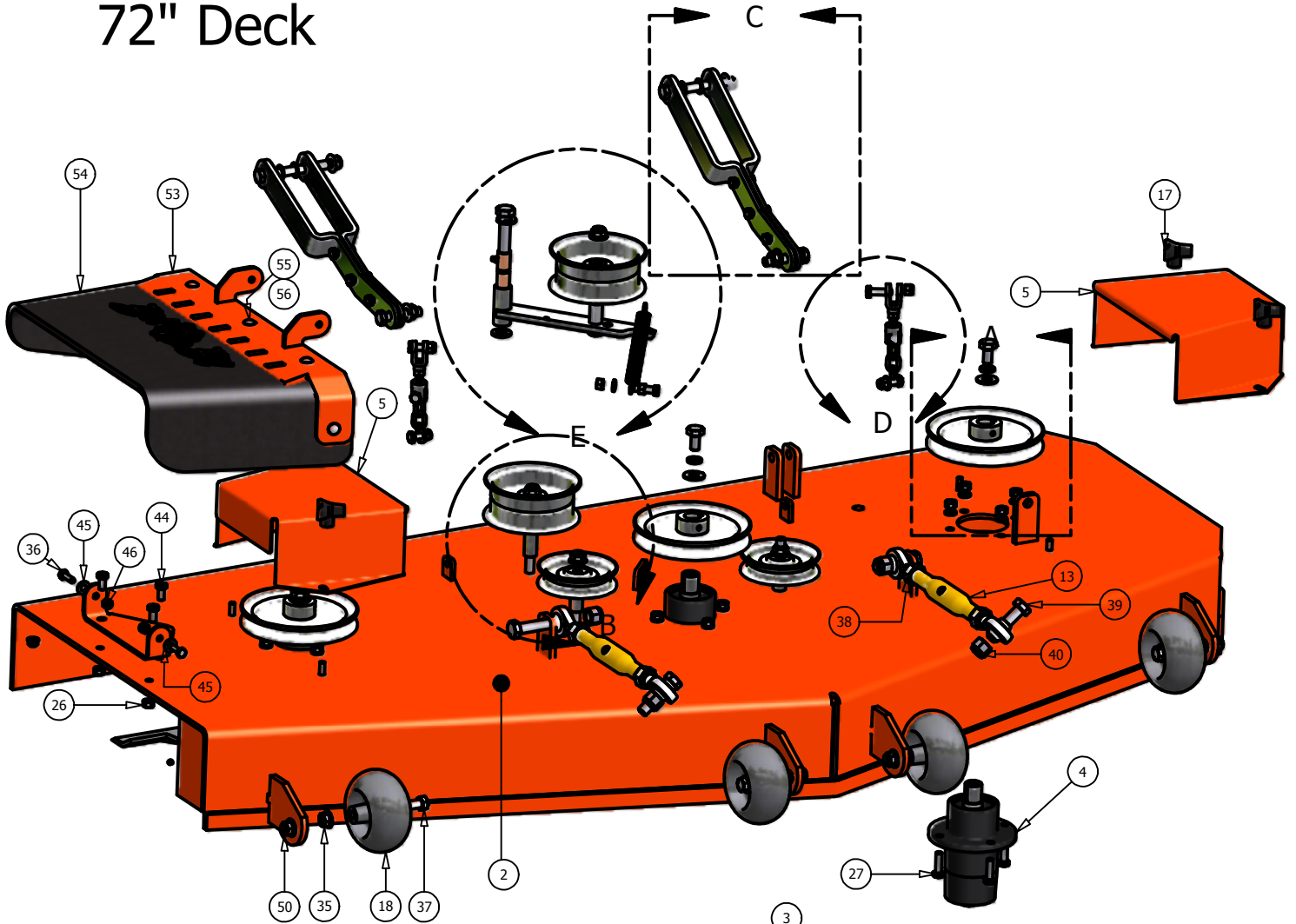
Parts List			
ITEM	QTY	PART NUMBER	DESCRIPTION
1	2	033-7025-00	5" V Idler Pulley
2	2	025-7020-00	5/8" x 1/2" Collar Spacer
3	2	018-6059-00	5/8" x 2 1/2" Bolt
4	2	013-7021-00	5/8" Nylock Nut
5	1	029-7037-00	14" Bumper
6	2	029-7038-00	8" Bumper
7	6	019-7040-00	1/4" Flat Washer
8	6	030-7039-00	1/4" x 1 1/2" Self Tapping Screw



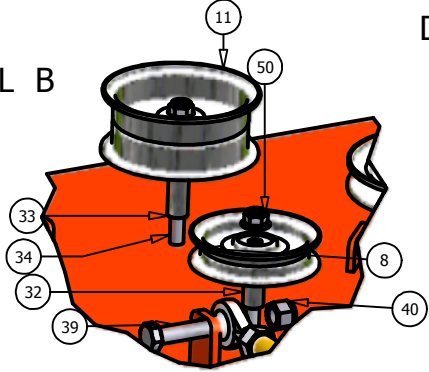
Parts List			
ITEM	QTY	PART NUMBER	DESCRIPTION
1	1	088-1020-00	Debris Plug
2	1	088-1018-00	Canister Body
3	1	063-2060-00	Inner Filter
4	1	063-2050-00	Outer Filter
5	1	088-1019-00	Mounting Bracket
6	1	088-1017-00	Diesel Air Filter

60 Inch Deck Parts List			
ITEM	QTY	PART NUMBER	DESCRIPTION
1	1	041-0236-00	60" Deck Belt
2	3	038-6060-00	60" Fusion Blade
3	1	060-5403-00	60" Deck
4	1	206-6017-00	Dischage Chute Hander
5	2	014-6004-00	Pulley Guard
6	3	037-8000-00	Spindle
7	1	039-6936-00	Deck Idler Pully
8	2	033-6001-00	4 3/4" Idler Pulley
9	3	033-6004-00	6 1/4" Drive Pulley
10	2	033-5001-00	5 3/4" Flat Idler Pulley
11	1	025-5337-00	1 1/4" Pulley Spacer
12	2	025-5338-00	Pup Pulley Spacer
13	1	025-5339-00	1 3/4" Pulley Spacer
14	2	048-6056-00	Turnbuckle
15	2	013-6058-00	3/4" Left Hand Nut
16	2	031-6027-00	Deck Support Arm (Left)
17	2	031-6028-00	Deck Support Arm(Right)
18	6	022-5234-00	Anti-Scalp Roller
19	6	018-5019-00	1/2"x4" Bolt (Grade8)
20	6	013-5300-00	1/2" Flange Nut
21	1	034-2009-00	Deck Idler Spring
22	4	045-6043-00	5/16" Knob
23	2	046-6044-00	Female Yoke
24	2	046-6048-00	Male Yoke
25	2	047-6047-00	3" Chain
26	1	024-6034-00	Grease Fitting
27	2	032-6033-00	5/8" ID x 1 1/8" Brass Bushing
28	2	018-6049-00	3/8" x 1" Hex Bolt
30	13	019-5037-00	3/8" Lock Washer
29	3	018-6021-00	5/8" x 1 1/2" Fine Threaded Bolt
31	3	018-5006-00	1/2" x 1 1/2" Bolt
32	3	030-6029-00	3/8" Set Screw
33	3	019-4807-00	5/8" Lock Washer
34	3	018-5250-00	3/8" x 3/4" Hex Bolt
35	1	018-5311-00	5/8" x 4" Hex Bolt
36	2	019-6017-00	.635 ID Plastic Washer
37	2	019-6042-00	.360 Id Plastic Washer
38	2	018-5015-00	5/16" x 1" Hex Bolt
39	15	013-7021-00	5/16" Nylock Nut
40	4	018-6059-00	5/8" x 2 1/2" Bolt
41	4	013-7021-00	5/8" Nylock Nut
42	3	018-6054-00	1/2" x 3 1/2" Hex Bolt
43	4	019-5010-00	1/2" Brass Washer
44	2	018-7050-00	1/2" x 4 1/2" Bolt
45	18	018-5040-00	3/8" x 1 1/4" Hex Bolt
46	14	013-6014-00	3/8" Hex Nut
47	3	019-5007-00	1/2" Lock Washer
48	2	018-6036-00	1/2" x 2 1/2" Hex Bolt
49	5	018-6012-00	3/8" x 1 1/2" Hex Bolt
50	3	019-6020-00	1/2" Cupped Washer
51	13	013-8050-00	1/2" Flange Lock Nut
52	1	039-4863-00	2007 Lower Hanger
53	1	039-4864-00	2007 Hanger Plate
54	1	210-6005-00	Rubber Side Discharge
55	5	018-5020-00	5/16" x 1 1/2" Carriage Bolt
56	5	013-8049-00	5/16" Nylock Flange Nut
57	1	018-7016-00	1/2" x 3" Bolt
58	3	013-5201-00	3/8" Flange Nut
59	1	019-5029-00	3/8" Flat Washer

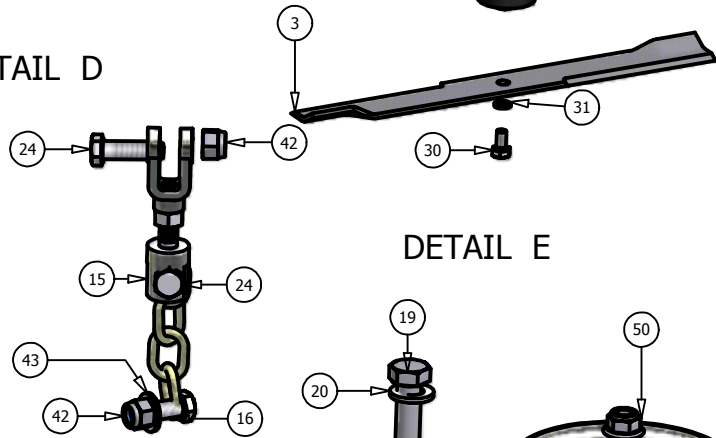
72" Deck



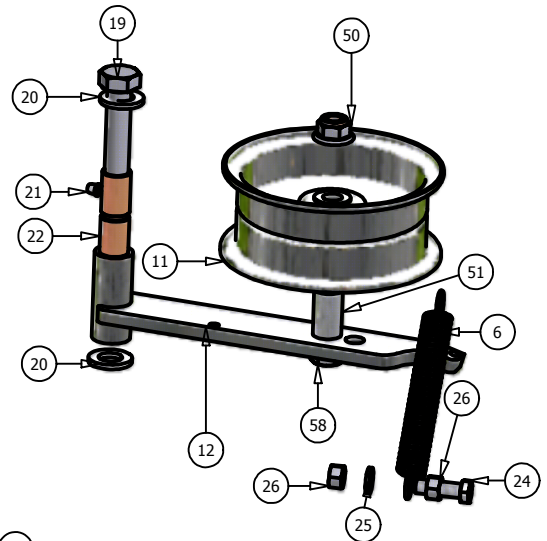
DETAIL B



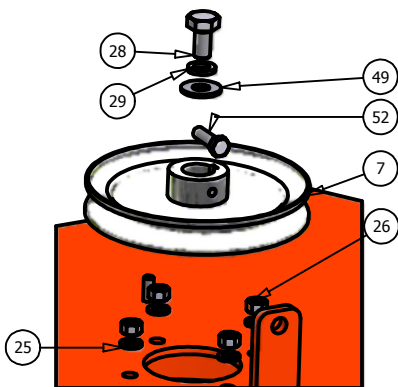
DETAIL D



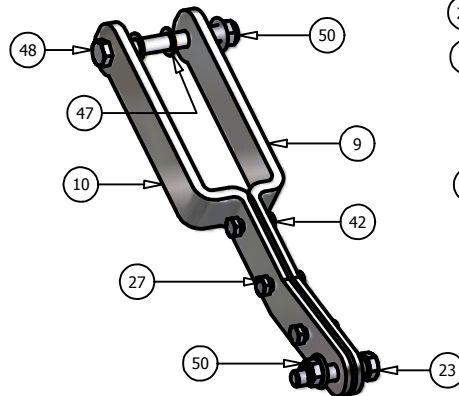
DETAIL E



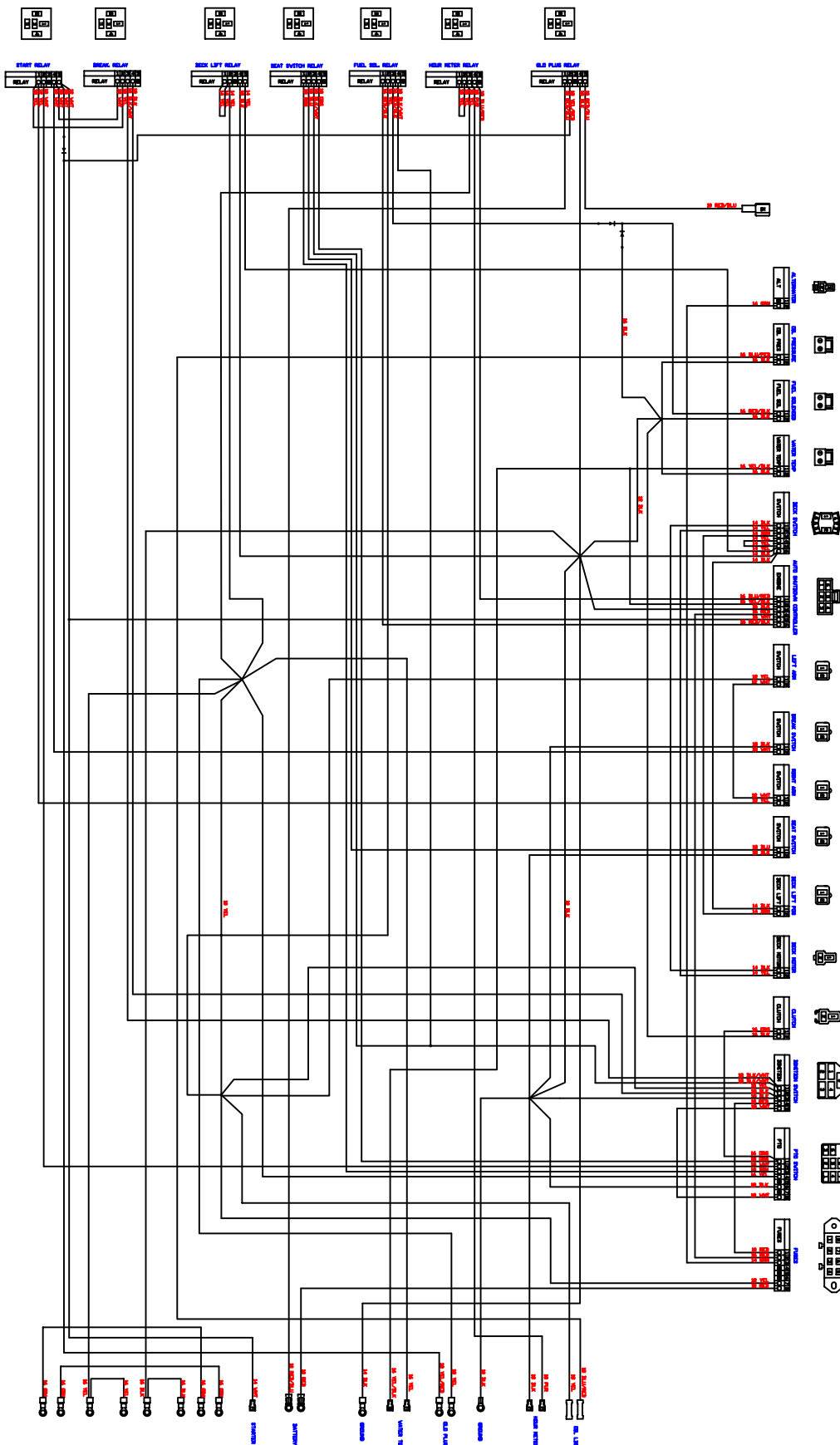
DETAIL A



DETAIL C



Parts List			
ITEM	QTY	PART NUMBER	DESCRIPTION
1	1	041-0254-00	72" Deck Belt
2	1	060-7205-00	72" Deck
3	3	038-7230-00	72" Frsion Blade
4	3	037-8000-00	Spindle
5	2	014-7204-00	Pulley Guard
6	1	034-2009-00	Deck Idler Spring
7	3	033-7203-00	7" Deck Pulley
8	2	033-6001-00	4 3/4" Idler Pulley
9	2	031-6028-00	Deck Support Arm (Right)
10	2	031-6027-00	Deck Support Arm(Left)
11	2	033-5001-00	5 3/4" Flat Idler Pulley
12	1	039-6936-00	Deck Idler Arm
13	2	048-6056-00	Turnbuckle
14	2	046-6044-00	Female Yoke
15	2	046-6048-00	Male Yoke
16	2	047-6047-00	3" Chain
17	4	045-6043-00	5 /16" Knob
18	6	022-5234-00	Anti-Scalp Roller
19	1	018-5311-00	5/8" x 4" Hex Bolt
20	2	019-6017-00	.635 ID Plastic Washer
21	1	024-6034-00	Grease Fitting (Drive-in Type)
22	2	032-6033-00	5/8" ID x 1 1/8" Brass Bushing
23	2	018-6036-00	1/2" x 2 1/2" Hex Bolt
24	5	018-6012-00	3/8" x 1 1/4" Hex Bolt
25	13	019-5037-00	3/8" Lock Washer
26	17	013-6014-00	3/8" Hex Nut
27	18	018-5040-00	3/8" x 1 1/4" Hex Bolt
28	3	018-6019-00	1/2" x 1 1/2" Fine Thread Bolt
29	3	019-5007-00	1/2" Lock Washer
30	3	018-6021-00	5/8" x 1 1/2" Fine Thread Bolt
31	3	019-4807-00	5/8" Lock Washer
32	2	025-5338-00	1 1/2" Pulley Spacer
33	1	025-5339-00	1 3/4" Pulley Spacer
34	1	018-6054-00	1/2" x 3 1/2" Bolt
35	6	013-5300-00	1/2" Flange Nut
36	6	018-5015-00	5/16" x 1" Hex Bolt
37	6	018-5019-00	1/2" x 4" Bolt
38	2	013-6058-00	3/4" Left Handed Nut
39	4	018-6059-00	5/8" x 2 1/2" Hex Bolt
40	5	013-7021-00	5/8" STD NC Nylock Nut
41	2	013-6051-00	3/8" Fine Threaded Jam Nut
42	2	019-5029-00	3/8" Flat Washer
43	3	018-5250-00	3/8" x 3/4" Hex Bolt
44	2	019-6042-00	.360 ID Plastic Washer
45	14	013-8047-00	5/16" Nylock Nut
46	4	019-5010-00	1/2" Brass Washer
47	2	018-7050-00	1/2" x 4 1/2" Bolt
48	3	019-6020-00	1/2" Cupped Washer
49	14	013-8050-00	1/2" Flange Lock Nut
50	1	025-5337-00	1 1/4" Pulley Spacer
51	3	030-6029-00	3/8" Hex Bolt
52	1	039-4880-00	2007 Hanger Plate
53	1	210-6005-00	Rubber Side Discharge
54	5	018-5020-00	5/16" x 1 1/2" Carriage Bolt
55	5	013-8049-00	5/16" Nylock Flange Nut
56	1	039-4881-00	2007 Lower Hanger Plate
57	1	018-7016-00	1/2" x 3" Bolt



TOLERANCES UNLESS OTHERWISE SPECIFIED
 DIMENSIONS IN MILLIMETERS
 1/16" = 1.5748
 1/8" = 3.1750
 3/16" = 4.7625
 1/4" = 6.3500
 5/16" = 7.9375
 3/8" = 9.5250
 7/16" = 11.1125
 1/2" = 12.7000
 5/8" = 15.8750
 3/4" = 19.0500
 7/8" = 22.2250
 1" = 25.4000
 1 1/8" = 29.2750
 1 1/4" = 31.7500
 1 3/8" = 34.9375
 1 1/2" = 38.1000
 1 5/8" = 41.2750
 1 3/4" = 44.4500
 1 7/8" = 47.6250
 2" = 50.8000
 2 1/8" = 54.6750
 2 1/4" = 57.1500
 2 3/8" = 60.3375
 2 1/2" = 63.5000
 2 5/8" = 66.8750
 2 3/4" = 70.0500
 2 7/8" = 73.2250
 3" = 76.4000
 3 1/8" = 80.2750
 3 1/4" = 82.7500
 3 3/8" = 85.9375
 3 1/2" = 89.1000
 3 5/8" = 92.4750
 3 3/4" = 95.6500
 3 7/8" = 98.8250
 4" = 101.6000
 4 1/8" = 105.4750
 4 1/4" = 107.9500
 4 3/8" = 111.1375
 4 1/2" = 114.3000
 4 5/8" = 117.6750
 4 3/4" = 120.8500
 4 7/8" = 124.0250
 5" = 127.0000
 5 1/8" = 130.8750
 5 1/4" = 133.3500
 5 3/8" = 136.5375
 5 1/2" = 139.7000
 5 5/8" = 143.0750
 5 3/4" = 146.2500
 5 7/8" = 149.4250
 6" = 152.4000
 6 1/8" = 156.2750
 6 1/4" = 158.7500
 6 3/8" = 161.9375
 6 1/2" = 165.1000
 6 5/8" = 168.4750
 6 3/4" = 171.6500
 6 7/8" = 174.8250
 7" = 177.8000
 7 1/8" = 181.6750
 7 1/4" = 184.1500
 7 3/8" = 187.3375
 7 1/2" = 190.5000
 7 5/8" = 193.8750
 7 3/4" = 197.0500
 7 7/8" = 200.2250
 8" = 203.2000
 8 1/8" = 207.0750
 8 1/4" = 209.5500
 8 3/8" = 212.7375
 8 1/2" = 215.9000
 8 5/8" = 219.2750
 8 3/4" = 222.4500
 8 7/8" = 225.6250
 9" = 228.6000
 9 1/8" = 232.4750
 9 1/4" = 234.9500
 9 3/8" = 238.1375
 9 1/2" = 241.3000
 9 5/8" = 244.6750
 9 3/4" = 247.8500
 9 7/8" = 251.0250
 10" = 254.0000
 10 1/8" = 257.8750
 10 1/4" = 260.3500
 10 3/8" = 263.5375
 10 1/2" = 266.7000
 10 5/8" = 270.0750
 10 3/4" = 273.2500
 10 7/8" = 276.4250
 11" = 279.4000
 11 1/8" = 283.2750
 11 1/4" = 285.7500
 11 3/8" = 288.9375
 11 1/2" = 292.1000
 11 5/8" = 295.4750
 11 3/4" = 298.6500
 11 7/8" = 301.8250
 12" = 304.8000
 12 1/8" = 308.6750
 12 1/4" = 311.1500
 12 3/8" = 314.3375
 12 1/2" = 317.5000
 12 5/8" = 320.8750
 12 3/4" = 324.0500
 12 7/8" = 327.2250
 13" = 330.2000
 13 1/8" = 334.0750
 13 1/4" = 336.5500
 13 3/8" = 339.7375
 13 1/2" = 342.9000
 13 5/8" = 346.2750
 13 3/4" = 349.4500
 13 7/8" = 352.6250
 14" = 355.6000
 14 1/8" = 359.4750
 14 1/4" = 361.9500
 14 3/8" = 365.1375
 14 1/2" = 368.3000
 14 5/8" = 371.6750
 14 3/4" = 374.8500
 14 7/8" = 378.0250
 15" = 381.2000
 15 1/8" = 385.0750
 15 1/4" = 387.5500
 15 3/8" = 390.7375
 15 1/2" = 393.9000
 15 5/8" = 397.2750
 15 3/4" = 400.4500
 15 7/8" = 403.6250
 16" = 406.4000
 16 1/8" = 410.2750
 16 1/4" = 412.7500
 16 3/8" = 415.9375
 16 1/2" = 419.1000
 16 5/8" = 422.4750
 16 3/4" = 425.6500
 16 7/8" = 428.8250
 17" = 431.6000
 17 1/8" = 435.4750
 17 1/4" = 437.9500
 17 3/8" = 441.1375
 17 1/2" = 444.3000
 17 5/8" = 447.6750
 17 3/4" = 450.8500
 17 7/8" = 454.0250
 18" = 457.2000
 18 1/8" = 461.0750
 18 1/4" = 463.5500
 18 3/8" = 466.7375
 18 1/2" = 469.9000
 18 5/8" = 473.2750
 18 3/4" = 476.4500
 18 7/8" = 479.6250
 19" = 482.8000
 19 1/8" = 486.6750
 19 1/4" = 489.1500
 19 3/8" = 492.3375
 19 1/2" = 495.5000
 19 5/8" = 498.8750
 19 3/4" = 502.0500
 19 7/8" = 505.2250
 20" = 508.0000
 20 1/8" = 511.8750
 20 1/4" = 514.3500
 20 3/8" = 517.5375
 20 1/2" = 520.7000
 20 5/8" = 524.0750
 20 3/4" = 527.2500
 20 7/8" = 530.4250
 21" = 533.6000
 21 1/8" = 537.4750
 21 1/4" = 539.9500
 21 3/8" = 543.1375
 21 1/2" = 546.3000
 21 5/8" = 549.6750
 21 3/4" = 552.8500
 21 7/8" = 556.0250
 22" = 559.2000
 22 1/8" = 563.0750
 22 1/4" = 565.5500
 22 3/8" = 568.7375
 22 1/2" = 571.9000
 22 5/8" = 575.2750
 22 3/4" = 578.4500
 22 7/8" = 581.6250
 23" = 584.8000
 23 1/8" = 588.6750
 23 1/4" = 591.1500
 23 3/8" = 594.3375
 23 1/2" = 597.5000
 23 5/8" = 600.8750
 23 3/4" = 604.0500
 23 7/8" = 607.2250
 24" = 610.4000
 24 1/8" = 614.2750
 24 1/4" = 616.7500
 24 3/8" = 619.9375
 24 1/2" = 623.1000
 24 5/8" = 626.4750
 24 3/4" = 629.6500
 24 7/8" = 632.8250
 25" = 636.0000
 25 1/8" = 639.8750
 25 1/4" = 642.3500
 25 3/8" = 645.5375
 25 1/2" = 648.7000
 25 5/8" = 652.0750
 25 3/4" = 655.2500
 25 7/8" = 658.4250
 26" = 661.6000
 26 1/8" = 665.4750
 26 1/4" = 667.9500
 26 3/8" = 671.1375
 26 1/2" = 674.3000
 26 5/8" = 677.6750
 26 3/4" = 680.8500
 26 7/8" = 684.0250
 27" = 687.2000
 27 1/8" = 691.0750
 27 1/4" = 693.5500
 27 3/8" = 696.7375
 27 1/2" = 699.9000
 27 5/8" = 703.2750
 27 3/4" = 706.4500
 27 7/8" = 709.6250
 28" = 712.8000
 28 1/8" = 716.6750
 28 1/4" = 719.1500
 28 3/8" = 722.3375
 28 1/2" = 725.5000
 28 5/8" = 728.8750
 28 3/4" = 732.0500
 28 7/8" = 735.2250
 29" = 738.4000
 29 1/8" = 742.2750
 29 1/4" = 744.7500
 29 3/8" = 747.9375
 29 1/2" = 751.1000
 29 5/8" = 754.4750
 29 3/4" = 757.6500
 29 7/8" = 760.8250
 30" = 764.0000
 30 1/8" = 767.8750
 30 1/4" = 770.3500
 30 3/8" = 773.5375
 30 1/2" = 776.7000
 30 5/8" = 780.0750
 30 3/4" = 783.2500
 30 7/8" = 786.4250
 31" = 789.6000
 31 1/8" = 793.4750
 31 1/4" = 795.9500
 31 3/8" = 799.1375
 31 1/2" = 802.3000
 31 5/8" = 805.6750
 31 3/4" = 808.8500
 31 7/8" = 812.0250
 32" = 815.2000
 32 1/8" = 819.0750
 32 1/4" = 821.5500
 32 3/8" = 824.7375
 32 1/2" = 827.9000
 32 5/8" = 831.2750
 32 3/4" = 834.4500
 32 7/8" = 837.6250
 33" = 840.8000
 33 1/8" = 844.6750
 33 1/4" = 847.1500
 33 3/8" = 850.3375
 33 1/2" = 853.5000
 33 5/8" = 856.8750
 33 3/4" = 860.0500
 33 7/8" = 863.2250
 34" = 866.4000
 34 1/8" = 870.2750
 34 1/4" = 872.7500
 34 3/8" = 875.9375
 34 1/2" = 879.1000
 34 5/8" = 882.4750
 34 3/4" = 885.6500
 34 7/8" = 888.8250
 35" = 892.0000
 35 1/8" = 895.8750
 35 1/4" = 898.3500
 35 3/8" = 901.5375
 35 1/2" = 904.7000
 35 5/8" = 908.0750
 35 3/4" = 911.2500
 35 7/8" = 914.4250
 36" = 917.6000
 36 1/8" = 921.4750
 36 1/4" = 923.9500
 36 3/8" = 927.1375
 36 1/2" = 930.3000
 36 5/8" = 933.6750
 36 3/4" = 936.8500
 36 7/8" = 940.0250
 37" = 943.2000
 37 1/8" = 947.0750
 37 1/4" = 949.5500
 37 3/8" = 952.7375
 37 1/2" = 955.9000
 37 5/8" = 959.2750
 37 3/4" = 962.4500
 37 7/8" = 965.6250
 38" = 968.8000
 38 1/8" = 972.6750
 38 1/4" = 975.1500
 38 3/8" = 978.3375
 38 1/2" = 981.5000
 38 5/8" = 984.8750
 38 3/4" = 988.0500
 38 7/8" = 991.2250
 39" = 994.4000
 39 1/8" = 998.2750
 39 1/4" = 1000.7500
 39 3/8" = 1003.9375
 39 1/2" = 1007.1000
 39 5/8" = 1010.4750
 39 3/4" = 1013.6500
 39 7/8" = 1016.8250
 40" = 1020.0000
 40 1/8" = 1023.8750
 40 1/4" = 1026.3500
 40 3/8" = 1029.5375
 40 1/2" = 1032.7000
 40 5/8" = 1036.0750
 40 3/4" = 1039.2500
 40 7/8" = 1042.4250
 41" = 1045.6000
 41 1/8" = 1049.4750
 41 1/4" = 1051.9500
 41 3/8" = 1055.1375
 41 1/2" = 1058.3000
 41 5/8" = 1061.6750
 41 3/4" = 1064.8500
 41 7/8" = 1068.0250
 42" = 1071.2000
 42 1/8" = 1075.0750
 42 1/4" = 1077.5500
 42 3/8" = 1080.7375
 42 1/2" = 1083.9000
 42 5/8" = 1087.2750
 42 3/4" = 1090.4500
 42 7/8" = 1093.6250
 43" = 1096.8000
 43 1/8" = 1100.6750
 43 1/4" = 1103.1500
 43 3/8" = 1106.3375
 43 1/2" = 1109.5000
 43 5/8" = 1112.8750
 43 3/4" = 1116.0500
 43 7/8" = 1119.2250
 44" = 1122.4000
 44 1/8" = 1126.2750
 44 1/4" = 1128.7500
 44 3/8" = 1131.9375
 44 1/2" = 1135.1000
 44 5/8" = 1138.4750
 44 3/4" = 1141.6500
 44 7/8" = 1144.8250
 45" = 1148.0000
 45 1/8" = 1151.8750
 45 1/4" = 1154.3500
 45 3/8" = 1157.5375
 45 1/2" = 1160.7000
 45 5/8" = 1164.0750
 45 3/4" = 1167.2500
 45 7/8" = 1170.4250
 46" = 1173.6000
 46 1/8" = 1177.4750
 46 1/4" = 1179.9500
 46 3/8" = 1183.1375
 46 1/2" = 1186.3000
 46 5/8" = 1189.6750
 46 3/4" = 1192.8500
 46 7/8" = 1196.0250
 47" = 1199.2000
 47 1/8" = 1203.0750
 47 1/4" = 1205.5500
 47 3/8" = 1208.7375
 47 1/2" = 1211.9000
 47 5/8" = 1215.2750
 47 3/4" = 1218.4500
 47 7/8" = 1221.6250
 48" = 1224.8000
 48 1/8" = 1228.6750
 48 1/4" = 1231.1500
 48 3/8" = 1234.3375
 48 1/2" = 1237.5000
 48 5/8" = 1240.8750
 48 3/4" = 1244.0500
 48 7/8" = 1247.2250
 49" = 1250.4000
 49 1/8" = 1254.2750
 49 1/4" = 1256.7500
 49 3/8" = 1259.9375
 49 1/2" = 1263.1000
 49 5/8" = 1266.4750
 49 3/4" = 1269.6500
 49 7/8" = 1272.8250
 50" = 1276.0000
 50 1/8" = 1279.8750
 50 1/4" = 1282.3500
 50 3/8" = 1285.5375
 50 1/2" = 1288.7000
 50 5/8" = 1292.0750
 50 3/4" = 1295.2500
 50 7/8" = 1298.4250
 51" = 1301.6000
 51 1/8" = 1305.4750
 51 1/4" = 1307.9500
 51 3/8" = 1311.1375
 51 1/2" = 1314.3000
 51 5/8" = 1317.6750
 51 3/4" = 1320.8500
 51 7/8" = 1324.0250
 52" = 1327.2000
 52 1/8" = 1331.0750
 52 1/4" = 1333.5500
 52 3/8" = 1336.7375
 52 1/2" = 1339.9000
 52 5/8" = 1343.2750
 52 3/4" = 1346.4500
 52 7/8" = 1349.6250
 53" = 1352.8000
 53 1/8" = 1356.6750
 53 1/4" = 1359.1500
 53 3/8" = 1362.3375
 53 1/2" = 1365.5000
 53 5/8" = 1368.8750
 53 3/4" = 1372.0500
 53 7/8" = 1375.2250
 54" = 1378.4000
 54 1/8" = 1382.2750
 54 1/4" = 1384.7500
 54 3/8" = 1387.9375
 54 1/2" = 1391.1000
 54 5/8" = 1394.4750
 54 3/4" = 1397.6500
 54 7/8" = 1400.8250
 55" = 1404.0000
 55 1/8" = 1407.8750
 55 1/4" = 1410.3500
 55 3/8" = 1413.5375
 55 1/2" = 1416.7000
 55 5/8" = 1420.0750
 55 3/4" = 1423.2500
 55 7/8" = 1426.4250
 56" = 1429.6000
 56 1/8" = 1433.4750
 56 1/4" = 1435.9500
 56 3/8" = 1439.1375
 56 1/2" = 1442.3000
 56 5/8" = 1445.6750
 56 3/4" = 1448.8500
 56 7/8" = 1452.0250
 57" = 1455.2000
 57 1/8" = 1459.0750
 57 1/4" = 1461.5500
 57 3/8" = 1464.7375
 57 1/2" = 1467.9000
 57 5/8" = 1471.2750
 57 3/4" = 1474.4500
 57 7/8" = 1477.6250
 58" = 1480.8000
 58 1/8" = 1484.6750
 58 1/4" = 1487.1500
 58 3/8" = 1490.3375
 58 1/2" = 1493.5000
 58 5/8" = 1496.8750
 58 3/4" = 1500.0500
 58 7/8" = 1503.2250
 59" = 1506.4000
 59 1/8" = 1510.2750
 59 1/4" = 1512.7500
 59 3/8" = 1515.9375
 59 1/2" = 1519.1000
 59 5/8" = 1522.4750
 59 3/4" = 1525.6500
 59 7/8" = 1528.8250
 60" = 1532.0000
 60 1/8" = 1535.8750
 60 1/4" = 1538.3500
 60 3/8" = 1541.5375
 60 1/2" = 1544.7000
 60 5/8" = 1548.0750
 60 3/4" = 1551.2500
 60 7/8" = 1554.4250
 61" = 1557.6000
 61 1/8" = 1561.4750
 61 1/4" = 1563.9500
 61 3/8" = 1567.1375
 61 1/2" = 1570.3000
 61 5/8" = 1573.6750
 61 3/4" = 1576.8500
 61 7/8" = 1580.0250
 62" = 1583.2000
 62 1/8" = 1587.0750
 62 1/4" = 1589.5500
 62 3/8" = 1592.7375
 62 1/2" = 1595.9000
 62 5/8" = 1599.2750
 62 3/4" = 1602.4500
 62 7/8" = 1605.6250
 63" = 1608.8000
 63 1/8" = 1612.6750
 63 1/4" = 1615.1500
 63 3/8" = 1618.3375
 63 1/2" = 1621.5000
 63 5/8" = 1624.8750
 63 3/4" = 1628.0500
 63 7/8" = 1631.2250
 64" = 1634.4000
 64 1/8" = 1638.2750
 64 1/4" = 1640.7500
 64 3/8" = 1643.9375
 64 1/2" = 1647.1000
 64 5/8" = 1650.4750
 64 3/4" = 1653.6500
 64 7/8" = 1656.8250
 65" = 1660.0000
 65 1/8" = 1663.8750
 65 1/4" = 1666.3500
 65 3/8" = 1669.5375
 65 1/2" = 1672.7000
 65 5/8" = 1676.0750
 65 3/4" = 1679.2500
 65 7/8" = 1682.4250
 66" = 1685.6000
 66 1/8" = 1689.4750
 66 1/4" = 1691.9500
 66 3/8" = 1695.1375
 66 1/2" = 1698.3000
 66 5/8" = 1701.6750
 66 3/4" = 1704.8500
 66 7/8" = 1708.0250
 67" = 1711.2000
 67 1/8" = 1715.0750
 67 1/4" = 1717.5500
 67 3/8" = 1720.7375
 67 1/2" = 1723.9000
 67 5/8" = 1727.2750
 67 3/4" = 1730.4500
 67 7/8" = 1733.6250
 68" = 1736.8000
 68 1/8" = 1740.6750
 68 1/4" = 1743.1500
 68 3/8" = 1746.3375
 68 1/2" = 1749.5000
 68 5/8" = 1752.8750
 68 3/4" = 1756.0500
 68 7/8" = 1759.2250
 69" = 1762.4000
 69 1/8" = 1766.2750
 69 1/4" = 1768.7500
 69 3/8" = 1771.9375

Bad Boy, Inc.
102 Industrial Drive
Batesville, AR 72501
1.866.622.3269
www.badboymowers.com

Technical Support:

Mark Henley (mark.henley@badboymowers.com)

Extension 6636

Bill Hurst (bill@badboymowers.com)

Extension 6617

Taylor Prince (taylor.prince@badboymowers.com)

Extension 6648

Warranty:

Dustin Tissiere (dustin@badboymowers.com)

Extension 6613

Bill Hurst (bill@badboymowers.com)

Extension 6617

Nathan Simmons

Parts:

Brad Foree (brad@badboymowers.com)

Extension 6637

Robert Patterson (robert.patterson@badboymowers.com)

Extension 6649