

The Pier

Assembly Instructions



Difficulty
Easy

Before starting this kit, make sure you read through all the instructions carefully. Always remember to dry fit parts and sand as needed.

We use two kinds of glue when assembling our kits. Super glue (cyanoacrylate) or PVA glue.

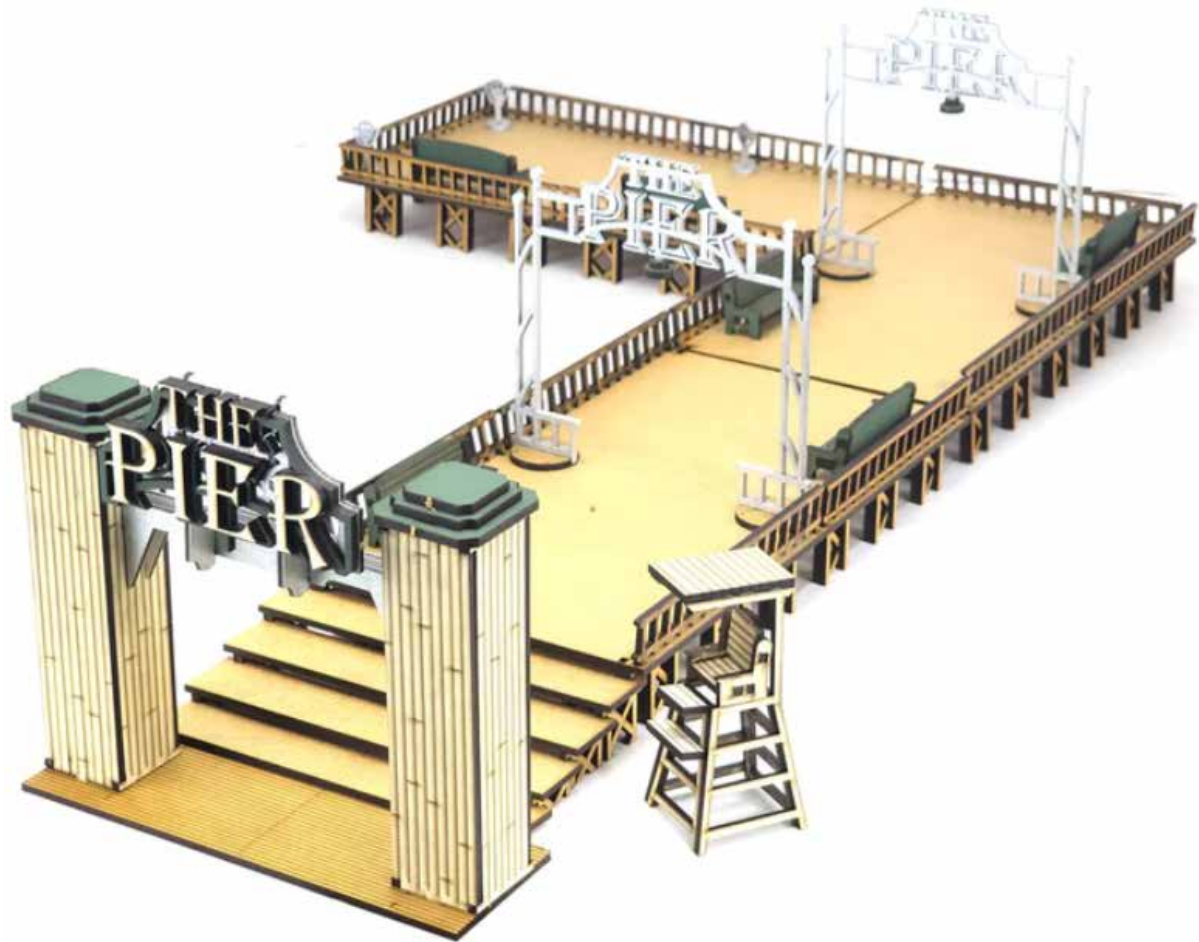
You can repaint or weather our kits easily! The paint we use is a great base primer and will take paint nicely.

If you have any issues during assembly, please contact us and we'll always do our best to help. We pride ourselves on taking care of our customers, so if you need anything at all, we're here!

As part of the laser cutting process, some colors or sheets may have more laser dust/residue than others. This is due to a wide variety of reasons and its 100% normal.

If the smell bothers you, set the kits outside for a day or so. If the residue is getting onto your hands, use some gloves!

Some folks like to wipe the kits down with a very lightly damp rag.



TOOLS WE SUGGEST YOU HAVE BEFORE GETTING STARTED



SAND PAPER



CUTTERS



SMALL FILES



SUPER GLUE



WHITE GLUE



CLAMPS OR PEGS

IMPORTANT SYMBOLS YOU MAY FIND WHILE ASSEMBLING THESE KITS



ATTENTION: This is a specifically important step.



NO GLUE: When you need to place a part without glue. Working doors are a good example



USE GLUE: This one isn't used much, as we assume almost all steps will have glue. But sometimes we use this for additional clarity



TRIM/SAND: Sometimes parts need to be slightly sanded, or trimmed in order to get the perfect fit.



DRY FIT: Sometimes we'll tell you to test fit items first. While we suggest doing this for ALL steps. Some are more important.

THIS KIT IS NOT A TOY - NOT FOR CHILDREN UNDER 15 - CONTAINS SMALL PARTS - PERMISSION TO PRINT THESE FOR PERSONAL USE ONLY THIS KIT IS NOT A TOY - NOT FOR CHILDREN UNDER 15 - CONTAINS SMALL PARTS - PERMISSION TO PRINT THESE FOR PERSONAL USE ONLY

The Pier

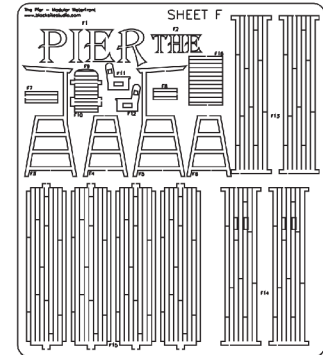
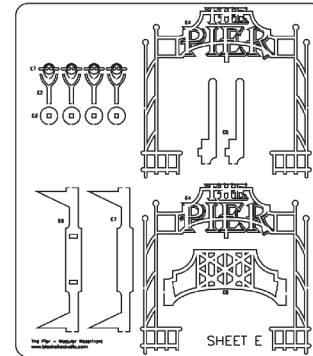
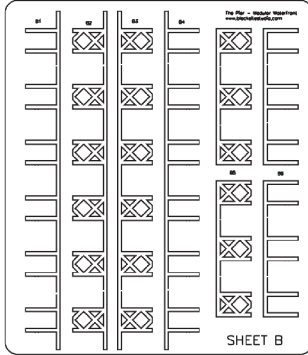
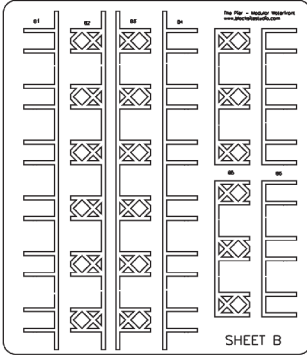
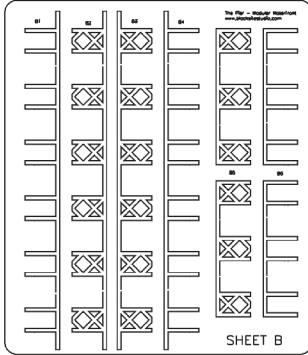
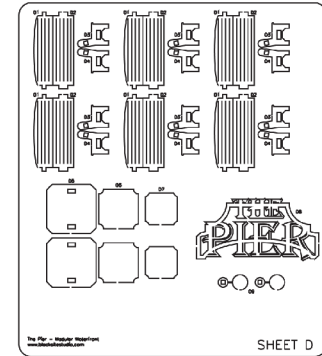
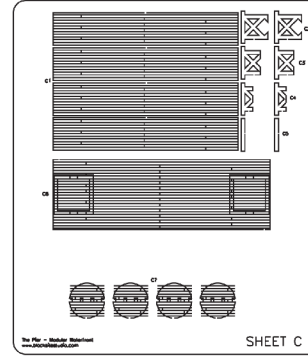
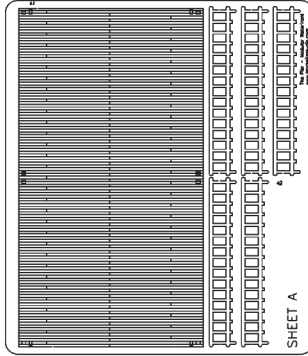
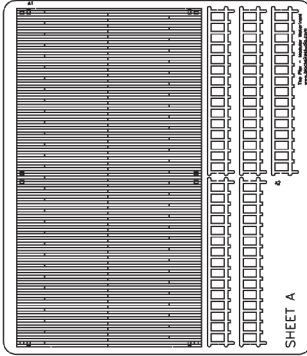
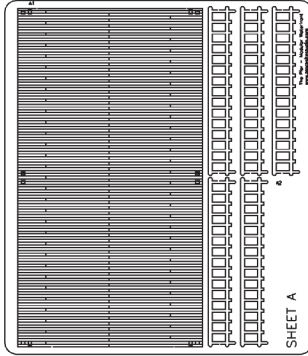
Sheet Breakdown



IF YOU ARE MISSING ANY SHEETS, OR HAVE DEFECTIVE PARTS. FOLLOW THE QR CODE ON THE RIGHT AND SUBMIT A TICKET WITH OUR TEAM. WE'LL GET YOU SORTED!



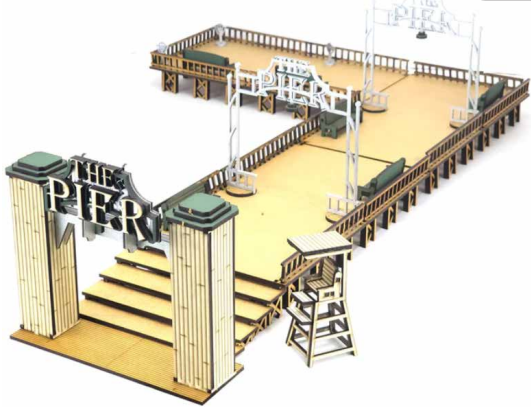
SCAN ME



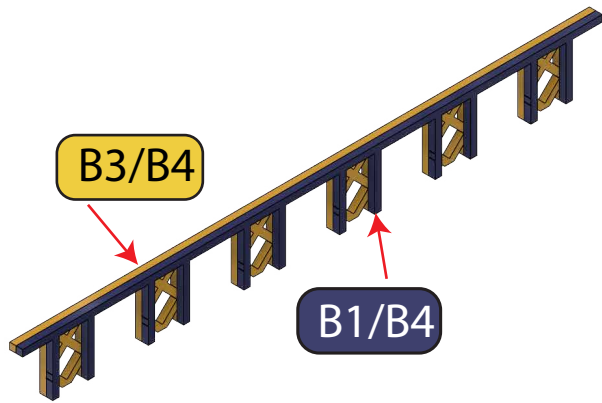
EXTRA PARTS:

SOMETIMES OUR KITS MAY COME WITH ADDITIONAL PARTS, GREEBLIES OR FREE DETAILS. WE DON'T ALWAYS SHOW THESE PARTS AS PART OF THE INSTRUCTIONS BECAUSE THEY MAY SOMETIMES CHANGE BETWEEN EDITIONS OR MANUFACTURING RUNS.

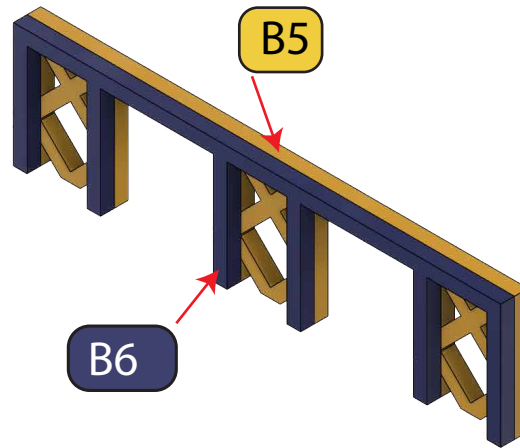
IF YOU GET TO THE END OF THIS KIT AND THERE ARE PARTS LEFT OVER, SIMPLY DISCARD THEM, OR USE THEM TO KITBASH SOME COOL ADDITIONAL FLAVOR TO YOUR KIT!



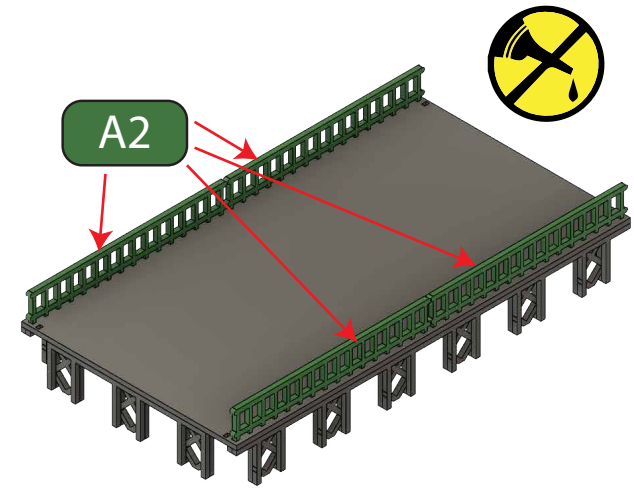
Step 1:



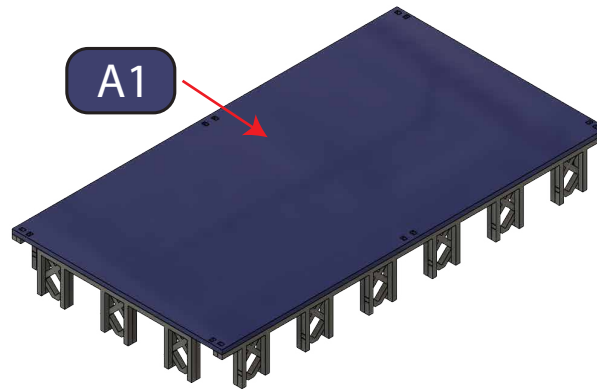
Step 2:



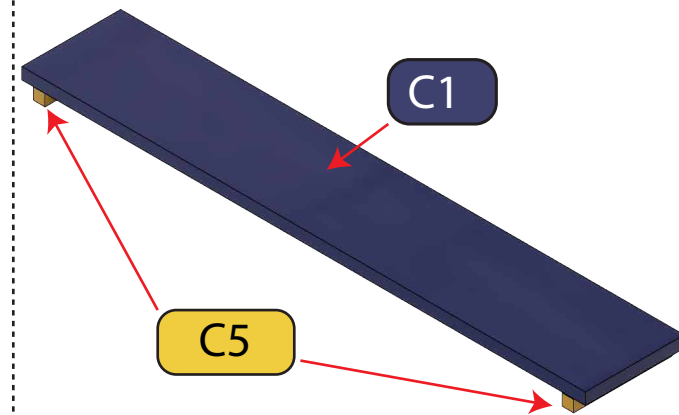
Step 4:

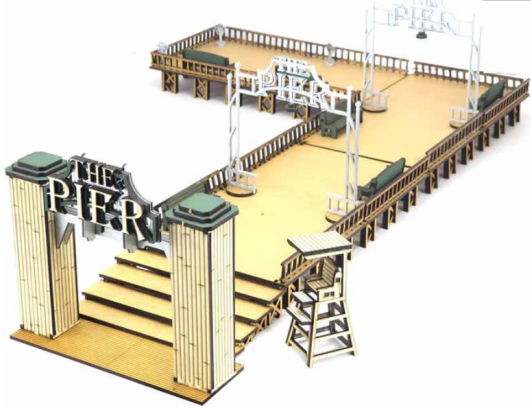


Step 3:

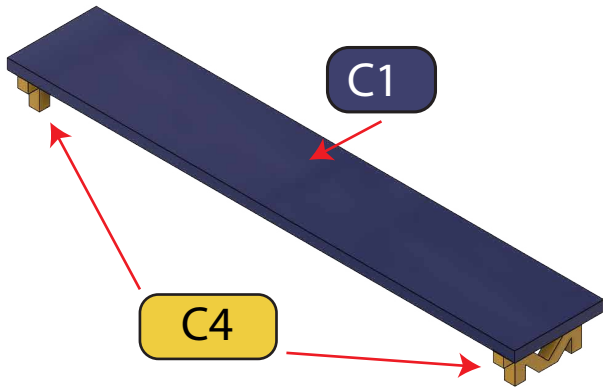


Step 5:

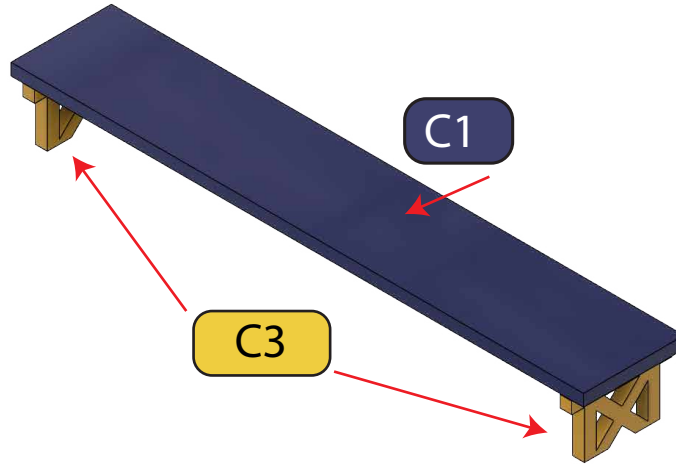




Step 6:



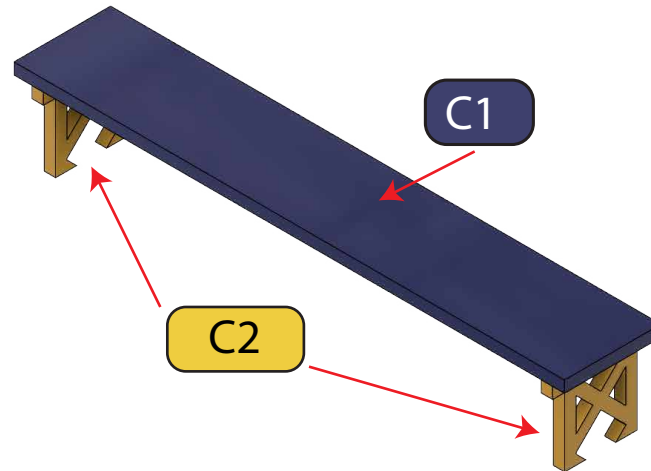
Step 7:



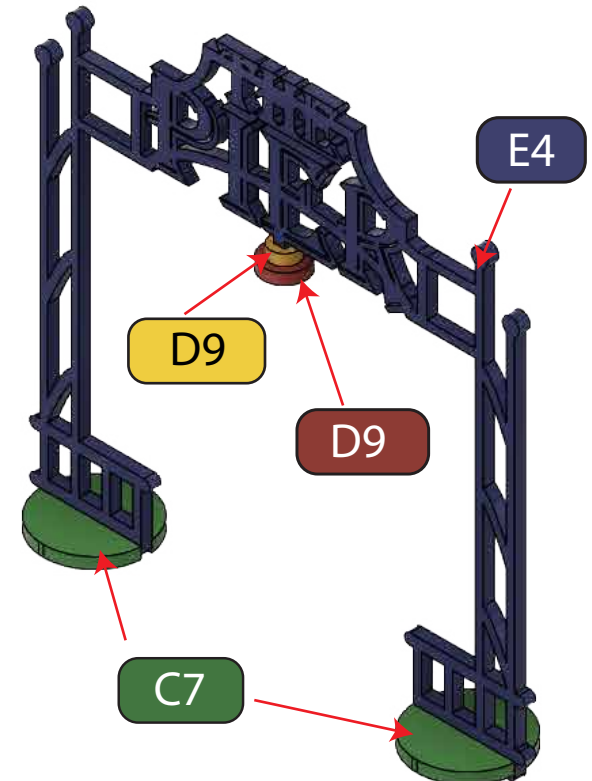
Step 9:

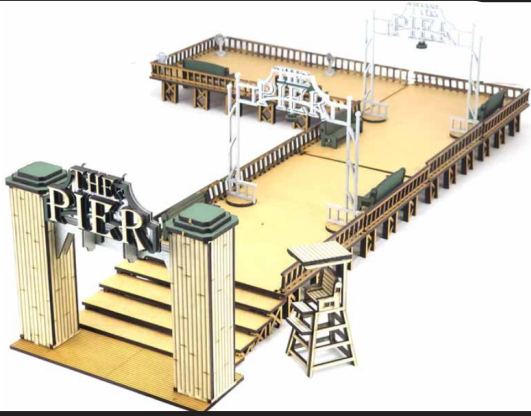


Step 8:

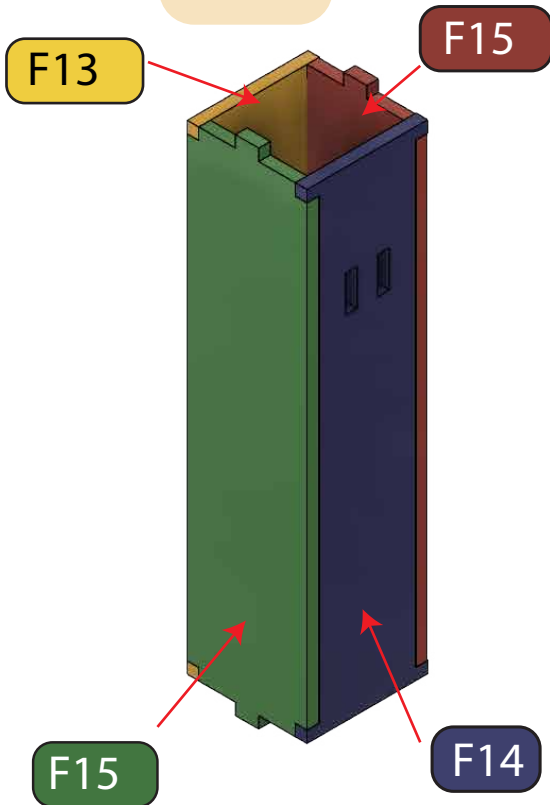


Step 10:



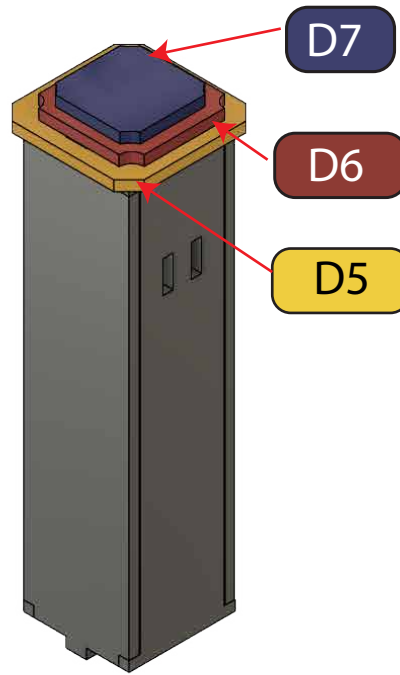


Step 11: 2x

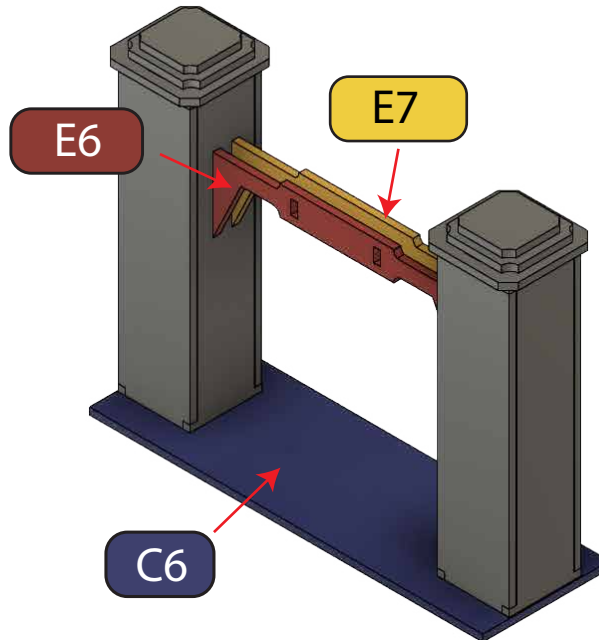


Step 12:

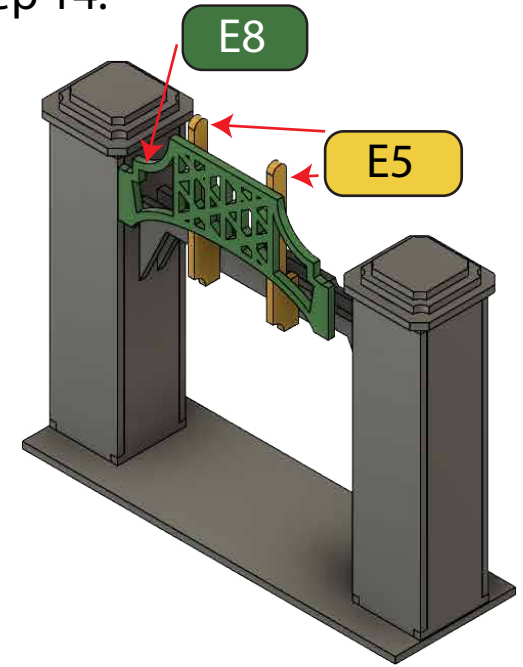
2x



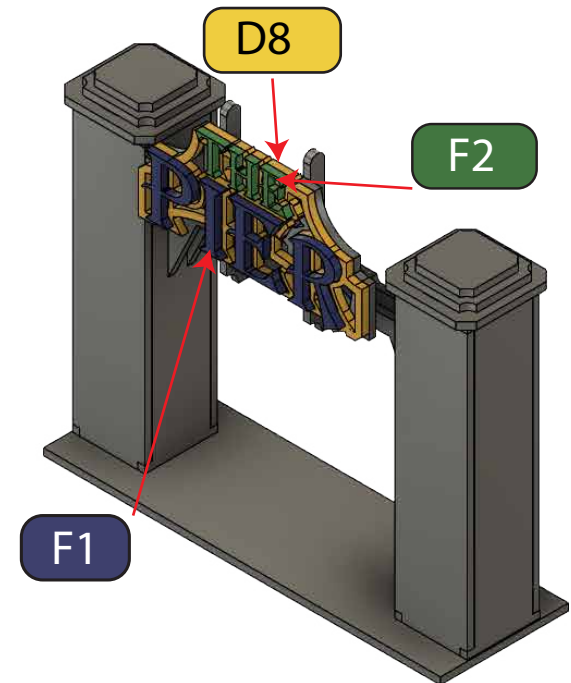
Step 13:

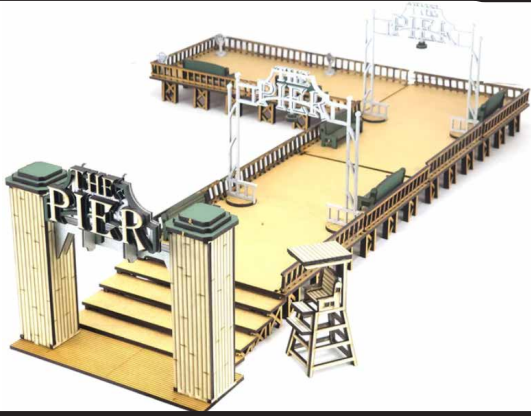


Step 14:

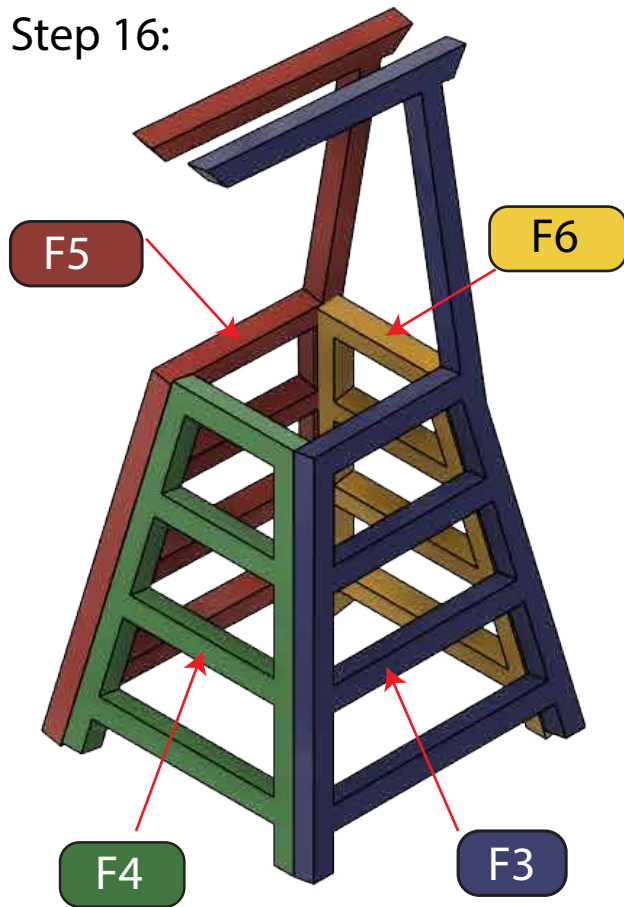


Step 15:





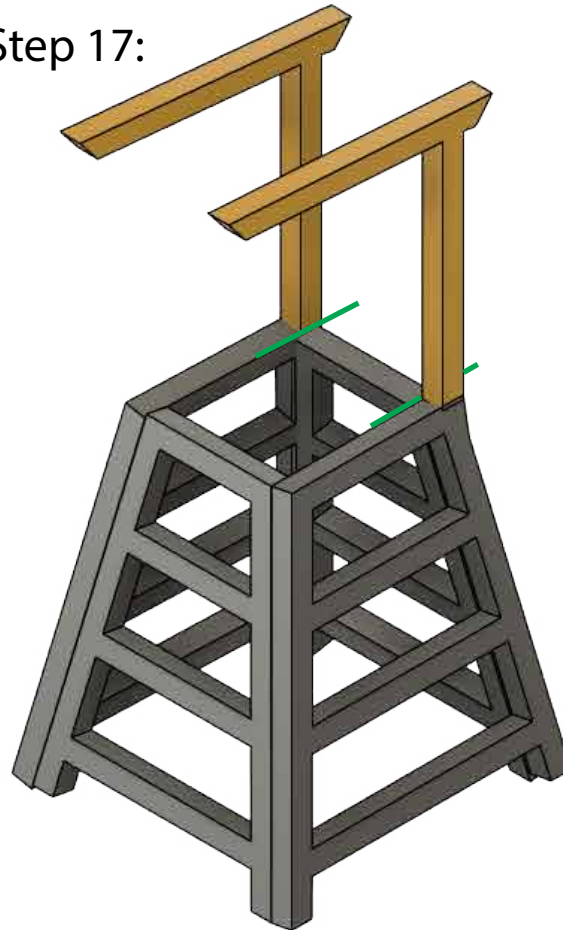
Step 16:



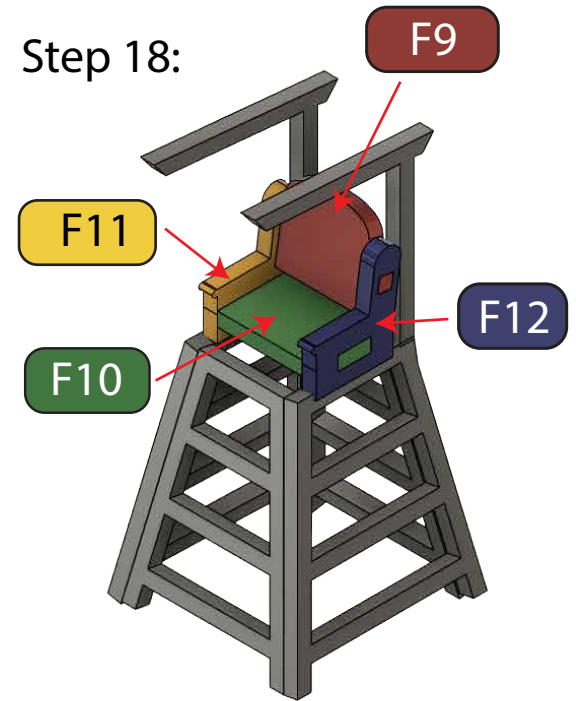
Carefully break the arms at the line below, and bend them slightly outward. If you are concerned about them snapping, then score the seam with a sharp blade before breaking.



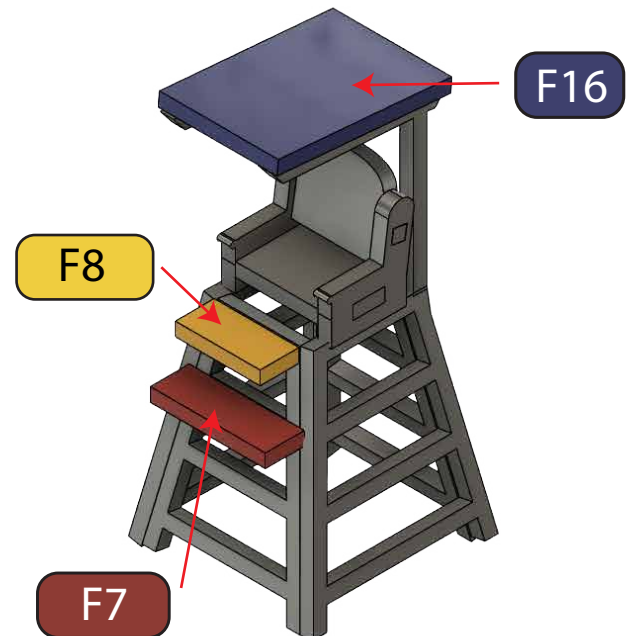
Step 17:

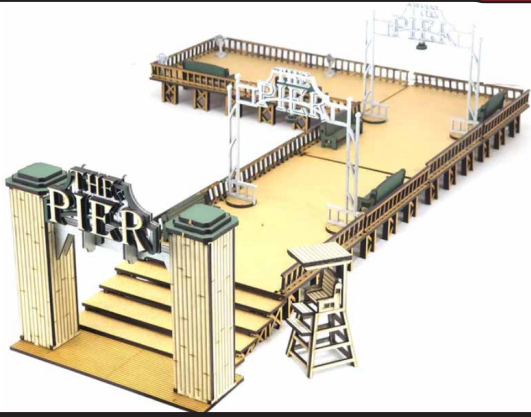


Step 18:

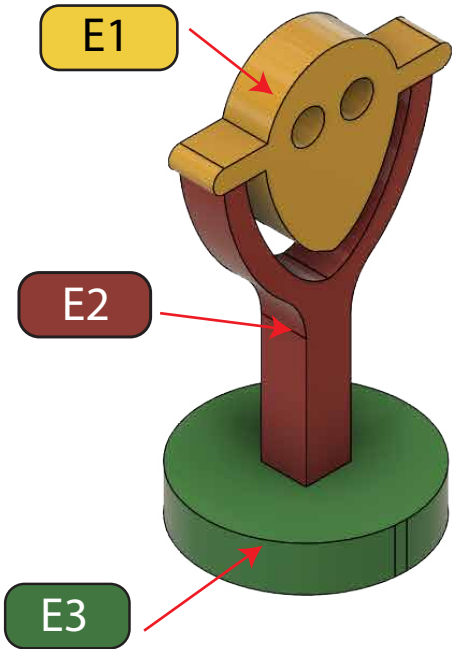


Step 19:

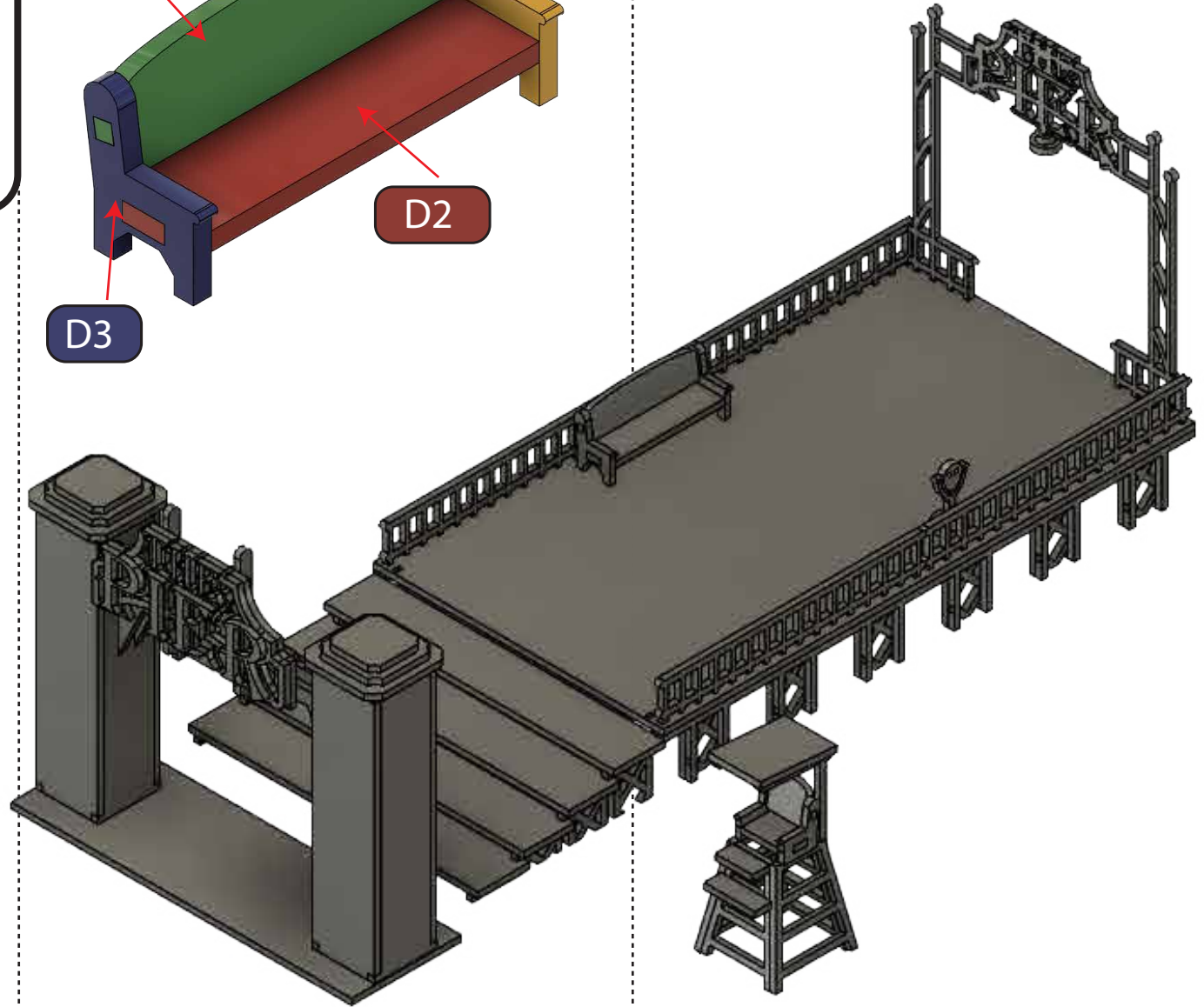
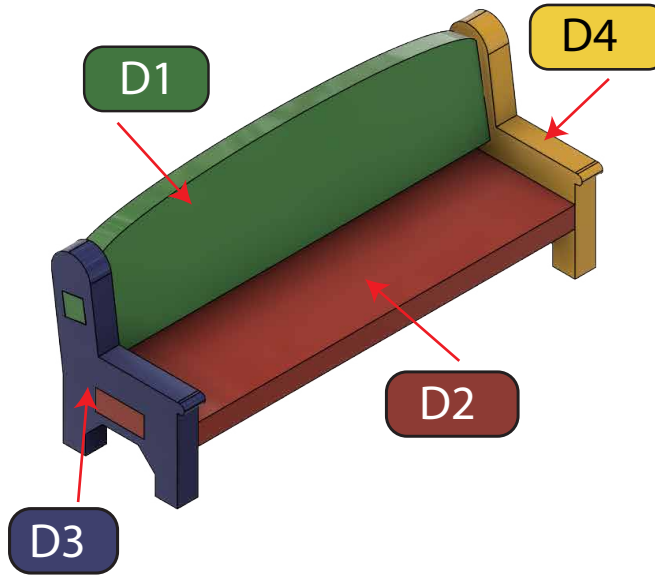


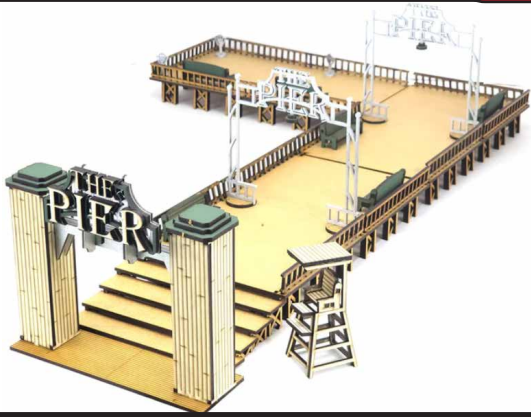


Step 20:

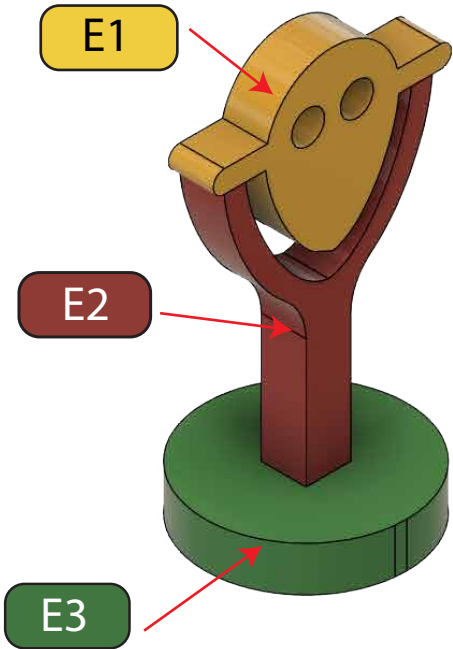


Step 21:





Step 20:



Step 21:

