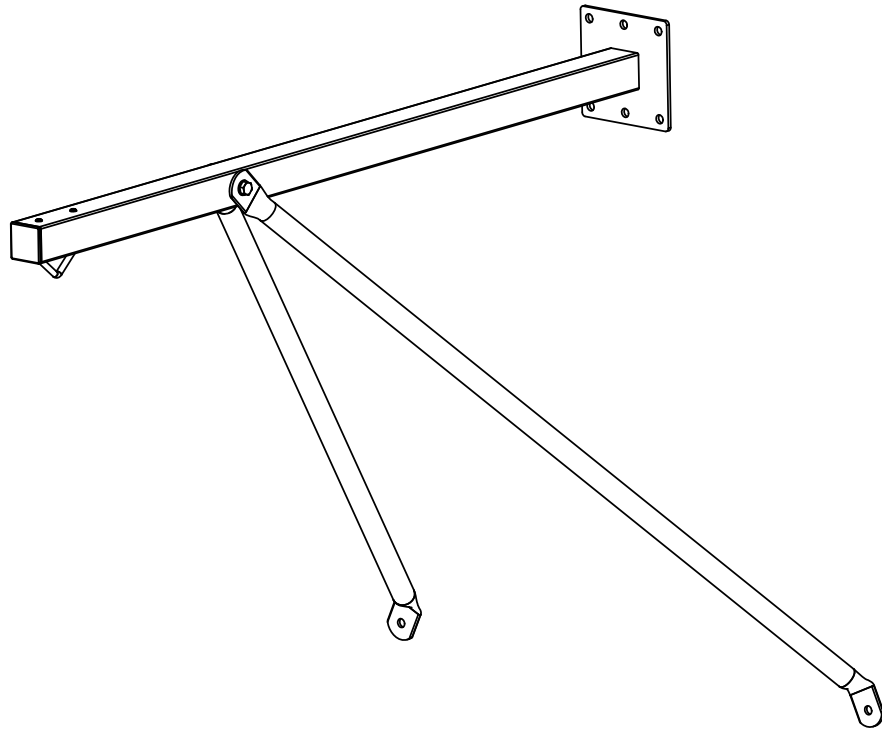




HEAVY BAG WALL HANGER 2.0



Owner's Manual

CHBHW2

PARTS LIST & ASSEMBLY

- Hardware Package

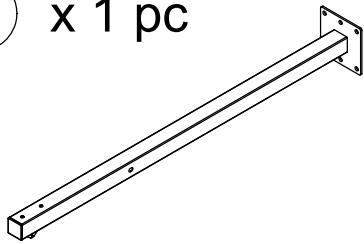
| No. | Description | Q'ty |
|-----|---------------|------|
| 1 | M10 x 70 bolt | 1 |
| 2 | M10 nut | 1 |
| 3 | ∅ 10 washer | 2 |

- Attached to the Frame

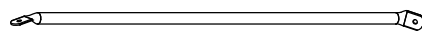
| | | |
|---|--------------|---|
| 4 | 50 tube plug | 1 |
|---|--------------|---|

- Packed in the Box

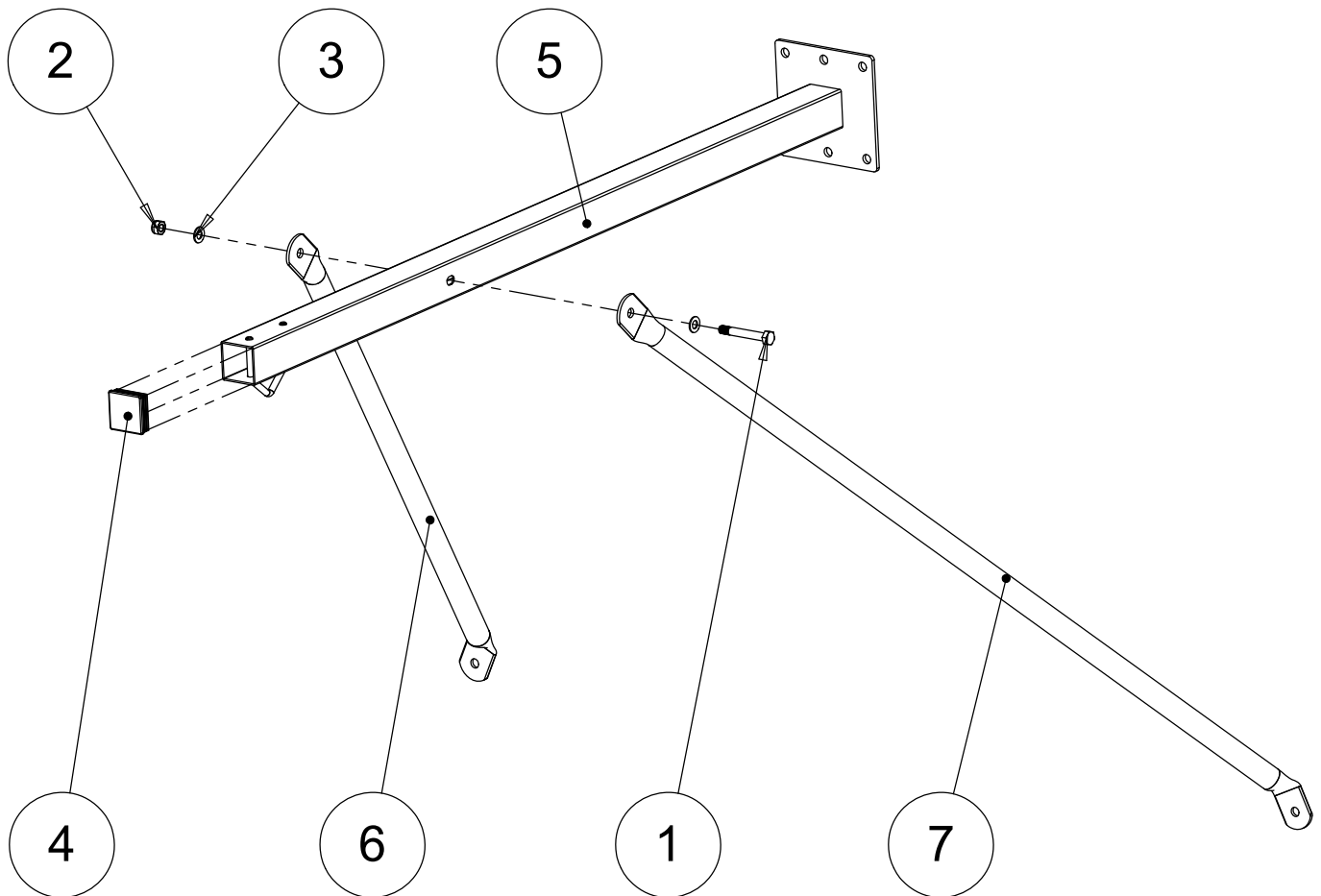
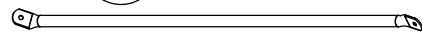
⑤ x 1 pc



⑥ x 1pc



⑦ x 1pc



INSTRUCTION

1. Assemble the TITLE Classic Heavy Bag Wall Hanger as illustrated with the hardware included. Make sure all the bolts, nuts, plastic end caps and connections are tightly secured.
2. Determine the ideal height for hanging the unit. The ideal height to hang on a wall is with the top bar at least 8' (96") high. This allows approximately 18"-24" for the heavy bag hanging chain or straps and attachment S-hook or spring hook. You want to punch the heavy bag in the top third to middle of the bag when hanging.
3. If securing to a masonry wall, you'll need 6 hex head lag screws (4-3/4" x 3/8"), 6, 3/8" flat washers and 6 metal lag expansion shields (2-1/2" x 3/8"). Use a level to make sure you have the wall mount placed evenly. Mark the mounting holes on the wall with a pencil or marker and then drill pilot holes into the wall before securing the unit with the noted hardware. There should be 32" between the two bottom brace mounting holes (16" from the center bar on each side). After confirming that you have the two bottom braces spaced correctly, attach them to the wall using the correct hardware noted.
4. If securing to wood stud wall, you'll need 4 or 6 hex head lag screws (4-3/4" x 3/8") and 4, 3/8" flat washers. Secure two brace boards onto the wall first to attach the top brace and two bottom braces onto. Next, use a level to make sure you have the wall mount placed evenly. Mark the mounting holes on the wall with a pencil or marker and then drill pilot holes into the brace boards before securing the unit with the noted hardware. There should be 32" between the two bottom brace mounting holes (16" from the center bar on each side). After confirming that you have the two bottom braces spaced correctly, attach them to the wall using the correct hardware noted. The unit is designed to attach the top two center mounting holes and both bottom braces into 16" OC wood studs.
5. Make sure all the mounts and connections are secured tightly and the hanger is stable and secure before every use.

WARNING:

- Make sure to use at least two people to assemble and hang the unit.
- Check the unit before using every time to assure it is stable and in excellent condition, with no loose parts or connections.
- Always consult a physician before beginning any workout and exercise program.
- It is recommended that you always wear hand wraps and well-padded bag gloves when hitting the heavy bag and double end bag.
- Always keep the area around the hanger clear of all objects before every use.
- Maximum Heavy Bag Weight Limit: 150 Lbs.



14711 W 112th St, Lenexa, KS 66215

1-800-999-1213

info@TitleBoxing.com

TitleBoxing.com