



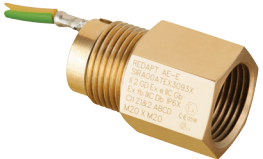
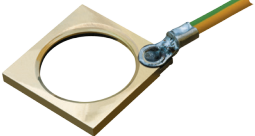
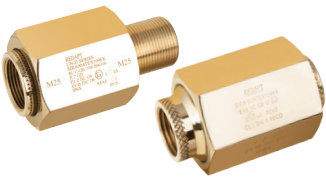

# Certified accessories for hazardous areas

Adaptors and reducers	Thread forms	Material options	Key points	
<b>Metallic male to female adaptors / reducers</b> page 3.4		<ul style="list-style-type: none"> <li>• Metric</li> <li>• NPT</li> <li>• Other threadforms available</li> </ul>	<ul style="list-style-type: none"> <li>• Brass</li> <li>• Stainless steel</li> <li>• Mild steel</li> <li>• Aluminium</li> </ul>	<ul style="list-style-type: none"> <li>• Ex d / Ex e</li> <li>• ATEX / IECEx / CSA</li> <li>• EAC / INMETRO</li> <li>• NEPSI</li> <li>• IP66 / IP68</li> <li>• Plating available</li> </ul>
<b>Glass-filled nylon male to female adaptors / reducers</b> page 3.5		<ul style="list-style-type: none"> <li>• Metric</li> <li>• NPT</li> <li>• Other threadforms available</li> </ul>	<ul style="list-style-type: none"> <li>• Glass-filled nylon</li> </ul>	<ul style="list-style-type: none"> <li>• Ex e</li> <li>• ATEX / IECEx</li> <li>• EAC / INMETRO</li> <li>• IP66 / IP68</li> <li>• -20°C to +65°C</li> </ul>
<b>Male to male / female to female adaptors</b> page 3.10		<ul style="list-style-type: none"> <li>• Metric</li> <li>• NPT</li> <li>• Other threadforms available</li> </ul>	<ul style="list-style-type: none"> <li>• Brass</li> <li>• Stainless steel</li> <li>• Mild steel</li> </ul>	<ul style="list-style-type: none"> <li>• Ex d / Ex e</li> <li>• ATEX / IECEx</li> <li>• EAC / INMETRO</li> <li>• IP6X</li> <li>• Plating available</li> </ul>
<b>Insulated adaptors</b> page 3.11		<ul style="list-style-type: none"> <li>• Metric</li> <li>• NPT</li> <li>• Other threadforms available</li> </ul>	<ul style="list-style-type: none"> <li>• Brass</li> <li>• Stainless steel</li> <li>• Mild steel</li> <li>• Aluminium</li> <li>• Insulating material: Glass-filled nylon</li> </ul>	<ul style="list-style-type: none"> <li>• Ex d / Ex e</li> <li>• ATEX / IECEx</li> <li>• IP54</li> <li>• -20°C to +130°C</li> <li>• Can combine metals</li> </ul>
<b>Right-angled adaptors</b> page 3.12		<ul style="list-style-type: none"> <li>• Metric</li> <li>• NPT</li> <li>• Other threadforms available</li> </ul>	<ul style="list-style-type: none"> <li>• Brass</li> <li>• Stainless steel</li> <li>• Aluminium</li> </ul>	<ul style="list-style-type: none"> <li>• Ex d</li> <li>• ATEX / IECEx</li> <li>• EAC / INMETRO</li> <li>• IP66 / IP68</li> <li>• Plating available</li> </ul>
<b>Swivel adaptors</b> page 3.13		<ul style="list-style-type: none"> <li>• Metric</li> <li>• NPT</li> <li>• Other threadforms available</li> </ul>	<ul style="list-style-type: none"> <li>• Brass</li> <li>• Stainless steel</li> <li>• Aluminium</li> </ul>	<ul style="list-style-type: none"> <li>• Ex d / Ex e</li> <li>• ATEX / IECEx</li> <li>• IP66 / IP68</li> <li>• -20°C to +60°C (Ex d)</li> <li>• -50°C to +200°C (Ex e)</li> <li>• Swivel function</li> <li>• Plating available</li> </ul>
<b>'Y' and 'T' adaptors</b> page 3.14/3.15		<ul style="list-style-type: none"> <li>• Metric</li> <li>• NPT</li> <li>• Other threadforms available</li> </ul>	<ul style="list-style-type: none"> <li>• Brass</li> <li>• Stainless steel</li> <li>• Mild steel</li> <li>• Aluminium</li> </ul>	<ul style="list-style-type: none"> <li>• Ex d / Ex e</li> <li>• ATEX / IECEx</li> <li>• IP66 / IP68</li> <li>• -60°C to +200°C</li> <li>• Converts one entry to two entries</li> <li>• Plating available</li> </ul>

Breather drains	Thread forms	Material options	Key points	
<b>Ex e breather drains</b> page 3.18/3.19		<ul style="list-style-type: none"> <li>• Metric</li> <li>• NPT</li> </ul>	<ul style="list-style-type: none"> <li>• Brass</li> <li>• Stainless steel</li> <li>• Aluminium</li> <li>• Glass-filled nylon</li> <li>• Various O-ring materials available</li> </ul>	<ul style="list-style-type: none"> <li>• Ex e</li> <li>• ATEX / IECEx / CSA</li> <li>• EAC</li> <li>• IP66</li> <li>• -50°C to +125°C (nylon)</li> </ul>
<b>Ex d/Ex e breather drains</b> page 3.20		<ul style="list-style-type: none"> <li>• Metric</li> <li>• NPT</li> </ul>	<ul style="list-style-type: none"> <li>• Brass</li> <li>• Stainless steel</li> <li>• Various O-ring materials available</li> </ul>	<ul style="list-style-type: none"> <li>• Ex d / Ex e</li> <li>• ATEX / IECEx</li> <li>• IP66</li> </ul>

# Certified accessories for hazardous areas

Stopping plugs	Thread forms	Material options	Key points
<b>Type CQ dome head stopping plug</b> page 3.6 	<ul style="list-style-type: none"> <li>Metric</li> <li>NPT</li> <li>Other threadforms available</li> </ul>	<ul style="list-style-type: none"> <li>Brass</li> <li>Stainless steel</li> <li>Mild steel</li> <li>Aluminium</li> <li>Glass-filled nylon</li> </ul>	<ul style="list-style-type: none"> <li>Ex d / Ex e</li> <li>ATEX / IECEx / CSA</li> <li>EAC / INMETRO</li> <li>NEPSI</li> <li>IP66 / IP67</li> <li>-20°C to +65°C (nylon)</li> </ul>
<b>Type CB flush fitting stopping plug</b> page 3.7 	<ul style="list-style-type: none"> <li>Metric</li> <li>NPT</li> <li>Other threadforms available</li> </ul>	<ul style="list-style-type: none"> <li>Brass</li> <li>Stainless steel</li> <li>Aluminium</li> </ul>	<ul style="list-style-type: none"> <li>Ex d / Ex e</li> <li>ATEX / IECEx / CSA</li> <li>EAC / INMETRO</li> <li>NEPSI</li> <li>IP66 / IP68</li> <li>Tighten with allen key</li> <li>Externally accessible</li> </ul>
<b>Type CF tamperproof stopping plug</b> page 3.7 	<ul style="list-style-type: none"> <li>Metric</li> <li>NPT</li> <li>Other threadforms available</li> </ul>	<ul style="list-style-type: none"> <li>Brass</li> <li>Stainless steel</li> <li>Aluminium</li> </ul>	<ul style="list-style-type: none"> <li>Ex d / Ex e</li> <li>ATEX / IECEx / CSA</li> <li>EAC / INMETRO</li> <li>NEPSI</li> <li>IP66 / IP68</li> <li>Tighten from inside equipment for security</li> </ul>
<b>Type CK hex head stopping plug</b> page 3.8 	<ul style="list-style-type: none"> <li>Metric</li> <li>NPT</li> <li>Other threadforms available</li> </ul>	<ul style="list-style-type: none"> <li>Brass</li> <li>Stainless steel</li> <li>Mild steel</li> <li>Aluminium</li> </ul>	<ul style="list-style-type: none"> <li>Ex d / Ex e</li> <li>ATEX / IECEx / CSA</li> <li>EAC / INMETRO</li> <li>NEPSI</li> <li>IP66 / IP68</li> </ul>
<b>Type CY hollow hex head stopping plug</b> page 3.9 	<ul style="list-style-type: none"> <li>Metric</li> <li>NPT</li> <li>Other threadforms available</li> </ul>	<ul style="list-style-type: none"> <li>Brass</li> <li>Stainless steel</li> <li>Mild steel</li> </ul>	<ul style="list-style-type: none"> <li>Ex d / Ex e</li> <li>ATEX / IECEx / EAC</li> <li>INMETRO / NEPSI</li> <li>IP66 / IP68</li> </ul>

Accessories	Thread forms	Material options	Key points
<b>Earth lead adaptors</b> page 3.16 	<ul style="list-style-type: none"> <li>Metric</li> <li>NPT</li> </ul>	<ul style="list-style-type: none"> <li>Brass</li> <li>Stainless steel</li> <li>Mild steel</li> <li>Aluminium</li> </ul>	<ul style="list-style-type: none"> <li>Ex e</li> <li>ATEX / IECEx / CSA</li> <li>EAC</li> <li>-20°C to +40°C</li> <li>Supplied with earth lead</li> </ul>
<b>Threaded earth plates</b> page 3.17 	<ul style="list-style-type: none"> <li>Metric</li> <li>NPT</li> </ul>	<ul style="list-style-type: none"> <li>Brass</li> </ul>	<ul style="list-style-type: none"> <li>Ex e</li> <li>ATEX</li> <li>Supplied with earth lead</li> </ul>
<b>Unions</b> page 3.24 	<ul style="list-style-type: none"> <li>Metric</li> <li>NPT</li> <li>Other threadforms available</li> </ul>	<ul style="list-style-type: none"> <li>Brass</li> <li>Stainless steel</li> <li>Aluminium</li> </ul>	<ul style="list-style-type: none"> <li>Ex d</li> <li>ATEX / CSA / EAC</li> <li>IP66 / IP68</li> <li>-50°C to +180°C</li> </ul>
<b>Accessories: bushes, couplers, nipples</b> page 3.25 	<ul style="list-style-type: none"> <li>Metric</li> <li>NPT</li> <li>Other threadforms available</li> </ul>	<ul style="list-style-type: none"> <li>Brass</li> <li>Stainless steel</li> <li>Mild steel</li> <li>Aluminium</li> <li>Nylon</li> </ul>	<ul style="list-style-type: none"> <li>Wide range of sizes and threadforms available</li> <li>Plating available on metallic finishes</li> </ul>

# Metallic adaptors and reducers - Raxton

Hazardous area accessories



Type AB hexagonal



Type BB hexagonal

## Features

- Allows conversion of thread type or size in existing equipment
- Maintains Ex certification while matching threadforms
- International Ex certifications
- Ingress protection IP66/IP68
- Various threadforms and materials available



## Technical specification

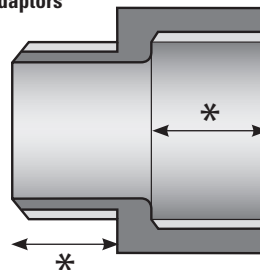
Metallic adaptors and reducers	
ATEX marking	Ex I M2, Ex d I Mb, Ex e I Mb (not aluminium) Ex II 2 GD, Ex d IIC Gb, Ex e IIC Gb, Ex tb IIIC Db
ATEX certification	SIRA 10 ATEX 1225X, ITS 16 ATEX 101336X
IEC Ex certification	IECEx SIR 07.0010X, IECEx SIR 12.0014X, IECEx ITS16.0011X
Other certificates	CSA: CSA 200455-1003277 (brass and stainless steel only) EAC: TC RUC-G B.ГБ06.B.00105 INMETRO: NCC 12.0764X NEPSI: GYJ13.1313X
Temperature range	metallic products are not given an operating temperature range
Ingress protection	IP66 / IP68
Material	brass, aluminium, mild steel, stainless steel 316L

## Dimensions

THREAD SIZE	ADAPTORS (AB)		REDUCERS (BB)
	MALE THREAD MAX. BORE	ACROSS FLATS	MALE THREAD MAX. BORE
M16	11.0	20.8	20.8
M20	14.3	23.4	23.4
M25	20.5	27.9	27.9
M32	26.8	37.6	37.6
M40	33.5	47.2	47.2
M50	44.0	56.4	56.4
M63	55.2	70.1	70.1
M75	66.7	80.0	80.0
M90 x 2.0	80.0	105.0	105.0

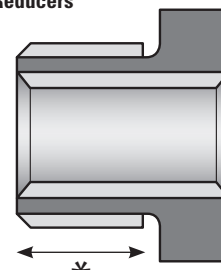
Adaptors : metallic adaptors are available for up to two step sizing, e.g. M20 male x M32 female.  
Example : male x M32 / female x M50. All dimensions in mm.

Adaptors



\* Minimum 8 full threads parallel, 5 full threads taper. (Exd)

Reducers



\* Minimum 6 full threads parallel, 5 full threads taper (Exd)

## Ordering codes (Raxton)

DIGITS 1 & 2		DIGIT 3		DIGITS 4 & 5 MALE / DIGITS 6 & 7 FEMALE				DIGIT 8		DIGIT 9		DIGIT 10	
DESCRIPTION	CODE	MATERIAL	CODE	THREAD SIZE / CODE	CERTIFICATE	CODE	SPECIAL	CODE	PLATING	CODE	CODE		
M-F adaptor	AB	Brass	A	M16 11 ½" NPT 42	ATEX / IECEx Ex de (all certificates)	Y	None (standard)	X or blank	None	blank			
M-F reducer	BB	Aluminium	B	M20 12 ¾" NPT 43			Nickel		N				
		Mild steel	C	M25 13 1" NPT 44			Integrated O-ring		U	Zinc	Z		
		Stainless steel 316L	E	M32 14 1¼" NPT 45					Chrome	C			
				M40 15 1½" NPT 46			For other approvals please see the product coding list on page 3.24			Special	S		
				M50 16 2" NPT 47									
				M63 17 2½" NPT 48									
				M75 18 3" NPT 49			Industrial	X or blank					

Other sizes/threadforms available on request

PRODUCT CODE EXAMPLE	ADAPTOR	BRASS	1" NPT (M)	M32 (F)	Ex d / Ex e	REFERENCE
	AB	A	44	14	Y	= ABA4414Y

For more information about product coding, see page 3.24



# Glass-filled nylon adaptors and reducers - Raxton

Hazardous area accessories



Type AJ round



Type BJ round

## Features

- Allows conversion of thread type or size in existing equipment
- Maintains Ex certification while matching threadforms
- International Ex certifications
- Ingress protection IP66/IP68
- Various threadforms available



## Technical specification

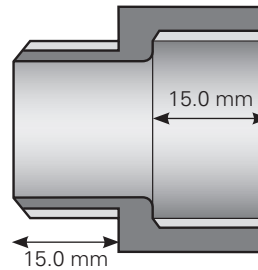
Nylon adaptors and reducers	
ATEX marking	Ex II 2 GD, Ex e IIC Gb, Ex tb IIIC Db
ATEX certification	SIRA 10ATEX1225X, ITS16ATEX101336X, SIRA 00ATEX1073U (M16 only)
IEC Ex certification	IECEX SIR 07.0010X, IECEX SIR 12.0014X, IECEX ITS16.0011X
Other certificates	EAC: TC RUC-G B.ГБ06.B.00105 INMETRO: NCC 12.0764X
Temperature range	-20 °C to +65 °C
Ingress protection	IP66 / IP68
Material	glass-filled nylon

## Dimensions

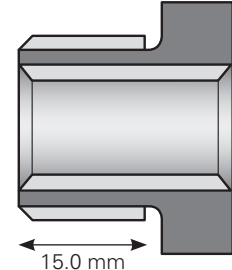
THREAD SIZE	ADAPTOR (AJ) MALE THREAD MAX BORE	ADAPTOR (AJ) HEAD DIAMETER	REDUCER (BJ) MALE THREAD MAX BORE
M16	8.0	24.0	22.0
M20	12.5	27.5	25.0
M25	17.5	35.5	30.0
M32	24.5	41.0	38.0
M40	32.5	50.0	46.0
M50	42.5	60.0	56.0
M63	53.0	75.0	70.0
M75	64.0	85.0	81.0
M90 x 2.0	76.0	100.0	96.0

All dimensions in mm.

### Adaptors



### Reducers



## Ordering codes (Raxton)

DIGITS 1 & 2		DIGIT 3		DIGITS 4 & 5 MALE / DIGITS 6 & 7 FEMALE			DIGIT 8		DIGIT 9		DIGIT 10	
DESCRIPTION	CODE	MATERIAL	CODE	THREAD SIZE / CODE	CERTIFICATE	CODE	SPECIAL	CODE	PLATING	CODE		
M-F adaptor	AJ	Glass-filled nylon	M	M16 11 ½" NPT 42	ATEX Ex e	E	None (standard)	X or blank	None	blank		
M-F reducer	BJ			M20 12 ¾" NPT 43			Integrated O-ring	U				
				M25 13 1" NPT 44								
				M32 14 1½" NPT 45								
				M40 15 1½" NPT 46			For other approvals please see the product coding list on page 3.24					
				M50 16 2" NPT 47								
				M63 17 2½" NPT 48								
				M75 18 3" NPT 49	Industrial	X or blank						

Other sizes/threadforms available on request

PRODUCT CODE EXAMPLE	REDUCER	G.F. NYLON	M32 (M)	M25 (F)	Ex e	REFERENCE
	BJ	M	14	13	E	= BJM1413E

For more information about product coding, see page 3.24

# Type CQ dome head stopping plugs - Raxton

Hazardous area accessories



## Features

- Securely closes off unused entries
- Maintains Ex certification
- Maintains IP integrity
- Ingress protection IP66/IP67
- International Ex certifications
- Various threadforms and materials available



IP66

IP67

## Technical specification

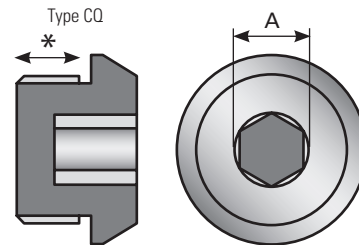
Type CQ stopping plugs	
ATEX marking	Ex I M2, Ex d I Mb, Ex e I Mb, Ex II 2 GD, Ex d IIC Gb, Ex e IIC Gb, Ex tb IIIC Db
ATEX marking (nylon)	Ex II 2 GD, Ex e IIC Gb, Ex tb IIIC Db
ATEX certification	SIRA 10 ATEX 1224X, ITS 16 ATEX 101335X
ATEX certification (nylon)	SIRA 10 ATEX 1225X, ITS 16 ATEX 101335X, SIRA 00 ATEX 1073U (M16 only)
IEC Ex certification	IECEx SIR 07.0009X, IECEx ITS16.0012X
IEC Ex certification (nylon)	IECEx SIR 12.0014X, IECEx ITS16.0012X
Other certificates	CSA: CSA 200455-1003277 GOST: TC RUC-G B.ГБ506.B.00105 INMETRO: NCC 12.0764X NEPSI: GYJ13.1311X
Temperature range	-20 °C to +65 °C (nylon only)*, O-ring -30 °C to +125 °C
Ingress protection	IP66 / IP67
Material	brass, aluminium, mild steel, stainless steel 316L, glass-filled nylon

\*This item is classified as a component; metallic products are not given an operating temperature range.

## Dimensions

THREAD SIZE	DOMED HEAD ALLEN/HEX KEY APERTURE (A)	DOMED HEAD DIAMETER
M16	6.0	20.5
M20	10.0	25.0
M25	10.0	30.0
M32	10.0	38.0
M40	19.0	46.0
M50	19.0	56.0
M63	19.0	69.0
M75	19.0	81.0

All dimensions in mm.



\*Minimum 8 full threads parallel, or 5 full threads taper (Ex d)

## Ordering codes (Raxton)

DIGITS 1 & 2 DESCRIPTION (STOPPING PLUGS)	DIGIT 3 MATERIAL	DIGIT 4 & 5 MALE / DIGITS 6 & 7 FEMALE (n/a)	DIGIT 8 CERTIFICATE	DIGIT 9 SPECIAL	DIGIT 10 PLATING	CODE						
						CODE	CODE					
Dome head stopping plug	CQ	Brass	A	M16 11 ½" NPT 42	ATEX / IECEx Ex de (all certificates)	Y	None (standard)	X or blank	None	blank		
		Aluminium	B	M20 12 ¾" NPT 43					Nickel	N		
		Mild steel	C	M25 13 1" NPT 44					Zinc	Z		
		Stainless steel 316L	E	M32 14 1¼" NPT 45					Chrome	C		
		Glass-filled nylon	M	M40 15 1½" NPT 46					Integrated O-ring	U	Special	S
				M50 16 2" NPT 47								
M63 17 2½" NPT 48												
		M75 18 3" NPT 49	Industrial	X or blank								

Other sizes/threadforms available on request

PRODUCT CODE EXAMPLE	STOPPING PLUG	ST. STEEL 316L	M25 (M)	-	Ex d / Ex e	REFERENCE
	CQ	E	13	00	Y	= CQE1300Y

For more information about product coding, see page 3.24



# Type CB and Type CF stopping plugs - Raxton

Hazardous area accessories



## Features

- Securely closes off unused entries
- Maintains Ex certification
- Maintains IP integrity
- Type CB are flush fitting, tightened from outside equipment
- Type CF are tamperproof, flush fitting and tightened inside equipment
- Ingress protection IP66/IP68
- International Ex certifications
- Brass, stainless steel and aluminium versions available



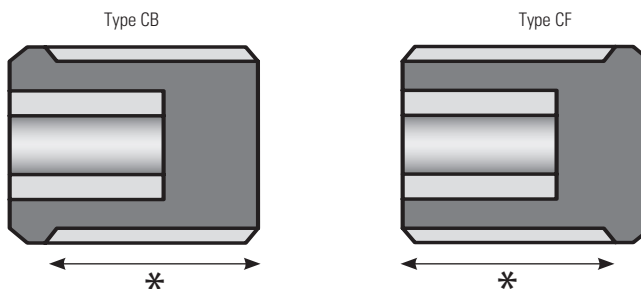
## Technical specification

Type CF and CB stopping plugs	
ATEX marking	Ex I M2, Ex d I Mb, Ex e I Mb, Ex II 2 GD, Ex d IIC Gb, Ex e IIC Gb, Ex tb IIIC Db
ATEX certification	SIRA 10 ATEX 1224X, ITS 16 ATEX 101335X
IEC Ex certification	IECEx SIR 07.0009X, IECEx ITS16.0012X
Other certificates	CSA: CSA 200455-1003277 GOST: TC RUC-G B.ГБ506.B.00105 INMETRO: NCC 12.0764X NEPSI: GYJ13.1311X
Temperature range	This item is classified as a component; metallic products are not given an operating temperature range.
Ingress protection	IP66 / IP68
Material	brass, stainless steel 316L, aluminium

## Dimensions

THREAD SIZE	ALLEN KEY APERTURE	TOTAL LENGTH
M16	6.0	17.0
M20	10.0	17.0
M25	10.0	17.0
M32	10.0	17.0
M40	19.0	17.0
M50	19.0	17.0
M63	19.0	17.0
M75	19.0	17.0

All dimensions in mm.



\* Minimum 8 full threads parallel, 5 full threads taper.(Exd)

## Ordering codes (Raxton)

DIGITS 1 & 2 DESCRIPTION (STOPPING PLUGS) CODE	DIGIT 3 MATERIAL	DIGITS 4 & 5 MALE / DIGITS 6 & 7 FEMALE (n/a) CODE	THREAD SIZE / CODE	DIGIT 8 CERTIFICATE	DIGIT 9 SPECIAL	DIGIT 10 PLATING	CODE
CB flush fit stopping plug	Brass	A	M16 11 ½" NPT	ATEX / IECEx Ex de Y (all certificates)	None (standard)	X or blank	None blank
	Aluminium	B	M20 12 ¾" NPT				
CF tamperproof stopping plug	Mild steel	C	M25 13 1" NPT	For other approvals please see the product coding list on page 3.24	Integrated O-ring	U	Zinc Chrome Special
	Stainless steel 316L	E	M32 14 1¼" NPT				
		M40 15 1½" NPT					
		M50 16 2" NPT					
		M63 17 2½" NPT					
M75 18 3" NPT	49	Industrial	X or blank				

Other sizes/threadforms available on request

PRODUCT CODE EXAMPLE	STOPPING PLUG	BRASS	M32 (M)	-	Ex d / Ex e	REFERENCE
	CB	A	14	00	Y	= CBA1400Y

For more information about product coding, see page 3.24

# Type CK hex head stopping plugs - Raxton

Hazardous area accessories



## Features

- Securely closes off unused entries
- Maintains Ex certification
- Maintains IP integrity
- Ingress protection IP66/IP68
- International Ex certifications
- Various threadforms and materials available



## Technical specification

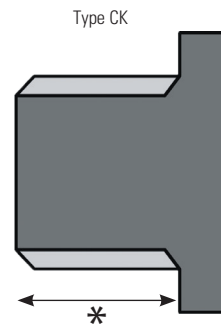
Type CK stopping plugs	
ATEX marking	Ex I M2, Ex d I Mb, Ex e I Mb, Ex II 2 GD, Ex d IIC Gb, Ex e IIC Gb, Ex tb IIIC Db
ATEX certification	SIRA 10 ATEX 1224X, ITS 16 ATEX 101335X
IEC Ex certification	IECEx SIR 07.0009X, IECEx ITS16.0012X
Other certificates	CSA: CSA 200455-1003277 GOST: TC RUC-G B.ГБ06.B.00105 INMETRO: NCC 12.0764X NEPSI: GYJ13.1311X
Temperature range	metallic products are not given an operating temperature range
Ingress protection	IP66 / IP68
Material	brass, aluminium, mild steel, stainless steel 316L

\*This item is classified as a component; metallic products are not given an operating temperature range.

## Dimensions

THREAD SIZE	HEX HEAD ACROSS FLATS	OVERALL LENGTH
M16	19.0	19.0
M20	24.0	19.0
M25	27.9	19.0
M32	37.6	19.0
M40	47.2	19.5
M50	55.9	20.5
M63	70.0	22.0
M75	80.0	23.0

All dimensions in mm.



\* Minimum 8 full threads parallel, 5 full threads taper.(Exd)

## Ordering codes (Raxton)

DIGITS 1 & 2 DESCRIPTION (STOPPING PLUGS)	DIGIT 3 CODE	DIGIT 3 MATERIAL	DIGITS 4 & 5 MALE / DIGITS 6 & 7 FEMALE (n/a)				DIGIT 8 CERTIFICATE	DIGIT 8 CODE	DIGIT 9		DIGIT 10									
			CODE	THREAD SIZE / CODE	CODE	CODE			SPECIAL	CODE	PLATING	CODE								
Hex head stopping plug	CK	Brass	A	M16	11	½" NPT	42	ATEX / IECEx Ex de (all certificates)	Y	None (standard)	X or blank	None	blank							
		Aluminium	B	M20	12	¾" NPT	43					Nickel	N							
		Mild steel	C	M25	13	1" NPT	44					Zinc	Z							
		Stainless steel 316L	E	M32	14	1¼" NPT	45			For other approvals please see the product coding list on page 3.24	Integrated O-ring	U	Chrome	C	Special	S				
																	M40	15	1½" NPT	46
																	M50	16	2" NPT	47
M63	17	2½" NPT	48	Industrial	X or blank															
M75	18	3" NPT	49																	

Other sizes/threadforms available on request

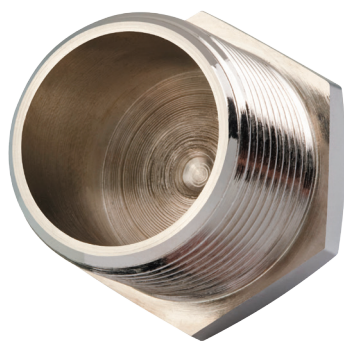
PRODUCT CODE EXAMPLE	STOPPING PLUG	ST.STEEL 316L	M25 (M)	-	Ex d / Ex e	REFERENCE
	CK	E	13	00	Y	= CKE1300Y

For more information about product coding, see page 3.24



# Type CY hollow hex head stopping plugs - Raxton

Hazardous area accessories



## Features

- Securely closes off unused entries
- Maintains Ex certification
- Maintains IP integrity
- Lighter product due to hollow design
- Ingress protection IP66/IP68
- International Ex certifications
- Brass, stainless steel and aluminium versions available



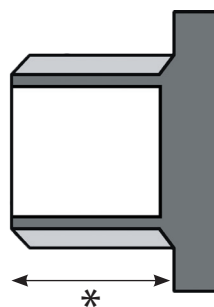
## Technical specification

Type CY stopping plugs	
ATEX marking	Ex II 2 G, Ex d IIC Gb, Ex e IIC Gb Ex II 2D, Ex tb IIIC Db IP66
ATEX certification	SIRA 10 ATEX 1224X, ITS 16 ATEX 101335X
IEC Ex certification	IECEX SIR 07.0009X, IECEX ITS16.0012X
Other certificates	GOST: TC RUC-G B.ГБ506.B.00105 INMETRO: NCC 12.0764X NEPSI: GYJ13.1311X
Temperature range	This item is classified as a component; metallic products are not given an operating temperature range.
Ingress protection	IP66 / IP68
Material	brass, mild steel, stainless steel 316L

## Dimensions

THREAD SIZE	ACROSS FLATS	TOTAL LENGTH
M16	19.0	19.0
M20	24.0	19.0
M25	27.9	19.0
M32	37.6	19.0
M40	47.2	19.5
M50	55.9	20.5
M63	70.0	22.0
M75	80.0	23.0

All dimensions in mm.



\* Minimum 8 full threads parallel, or 5 full threads taper (Ex d)

## Ordering codes (Raxton)

DIGITS 1 & 2 DESCRIPTION (STOPPING PLUGS) CODE		DIGIT 3 MATERIAL	DIGIT 4 CODE	DIGITS 4 & 5 MALE / DIGITS 6 & 7 FEMALE (n/a)			DIGIT 8 CERTIFICATE	DIGIT 8 CODE	DIGIT 9 SPECIAL	DIGIT 9 CODE	DIGIT 10 PLATING	DIGIT 10 CODE	
Hex head stopping plug	CY	Brass	A	M16	11	½" NPT	42	ATEX / IECEX Ex de (all certificates) Y	None (standard)	X or blank	None	blank	
		Aluminium	B	M20	12	¾" NPT	43				Nickel	N	
		Mild steel	C	M25	13	1" NPT	44				Zinc	Z	
		Stainless steel 316L	E	M32	14	1¼" NPT	45		For other approvals please see the product coding list on page 3.24	Integrated O-ring	U	Chrome	C
				M40	15	1½" NPT	46					Special	S
				M50	16	2" NPT	47						
				M63	17	2½" NPT	48						
				M75	18	3" NPT	49			Industrial	X or blank		

Other sizes/threadforms available on request

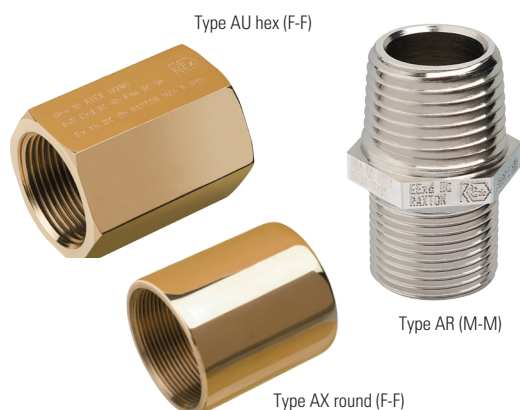
PRODUCT CODE EXAMPLE	STOPPING PLUG	BRASS	M32 (M)	-	Ex d / Ex e	REFERENCE
	CY	A	14	00	Y	= CYA1400Y

For more information about product coding, see page 3.24



# Male to male and female to female adaptors - Raxton

Hazardous area accessories



## Features

- Use to connect male-male or female-female threads
- Allows conversion of thread type or size in existing equipment
- Maintains Ex certification
- International Ex certifications
- Ingress protection IP66/IP68
- Various threadforms and materials available
- Brass and stainless steel versions available



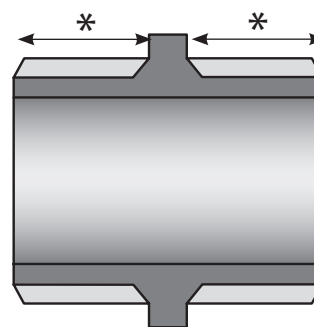
## Technical specification

Male to male and female to female adaptors	
ATEX marking	Ex I M2, Ex d I Mb, Ex e I Mb Ex II 2 GD, Ex d IIC Gb, Ex e IIC Gb, Ex tb IIIC Db
ATEX certification	SIRA 10 ATEX 1225X, ITS 16 ATEX 101336X
IEC Ex certification	IECEx SIR 12.0014X, IECEx ITS16.0011X
Other certificates	GOST: TC RUC-G B.ГБ506.B.00105 INMETRO: NCC 12.0764X
Temperature range	This item is classified as a component; metallic products are not given an operating temperature range
Ingress protection	IP6X
Material	brass, mild steel, stainless steel 316L

## Dimensions

THREAD SIZE	MALE TO MALE (TYPE AR)			FEMALE TO FEMALE (TYPE AU/AX)	
	LENGTH	ACROSS FLATS	BORE	LENGTH	ACROSS FLATS
M16	37.0	23.37	11.00	38.00	19.05
M20	37.5	23.37	14.00	38.00	24.00
M25	37.5	30.48	18.00	38.00	30.48
M32	37.5	37.59	24.00	38.00	37.59
M40	37.5	47.24	32.00	39.00	47.24
M50	38.0	55.88	41.00	39.00	55.88
M63	38.0	70.10	53.00	39.00	70.00
M75	38.5	80.01	64.00	39.00	90.00

All dimensions in mm.



\* Minimum 8 full threads parallel, or 5 full threads taper (Ex d)

## Ordering codes (Raxton)

DIGITS 1 & 2 DESCRIPTION (ADAPTORS)	DIGIT 3 CODE	DIGIT 3 MATERIAL	DIGIT 3 CODE	DIGITS 4 & 5 MALE / DIGITS 6 & 7 FEMALE		DIGIT 8 CERTIFICATE	DIGIT 8 CODE	DIGIT 9 SPECIAL	DIGIT 9 CODE	DIGIT 10		
				THREAD SIZE / CODE	CODE					PLATING	CODE	
M-M	AR	Brass	A	M16	11	½" NPT	42	ATEX / IECEx Ex de y (all certificates)  For other approvals please see the product coding list on page 3.24	None (standard)	X or blank	None	blank
F-F hex	AU	Mild steel	C	M20	12	¾" NPT	43				Nickel	N
F-F round	AX	Stainless steel 316L	E	M25	13	1" NPT	44				Zinc	Z
				M32	14	1¼" NPT	45				Chrome	C
				M40	15	1½" NPT	46				Special	S
				M50	16	2" NPT	47					
				M63	17	2½" NPT	48					
				M75	18	3" NPT	49				Industrial	X or blank

Other sizes/threadforms available on request

PRODUCT CODE EXAMPLE	M-M ADAPTOR	BRASS	M20 (M)	M20 (F)	Ex d / Ex e	REFERENCE
		AR	A	12	12	Y

For more information about product coding, see page 3.24



### Features

- Insulates the earth of the supply cable from the associated equipment
- Reduces the risk of damage to electronic equipment within the enclosure in the event of a short circuit to ground through the enclosure
- International Ex certifications
- Brass, stainless steel, mild steel and aluminium versions available



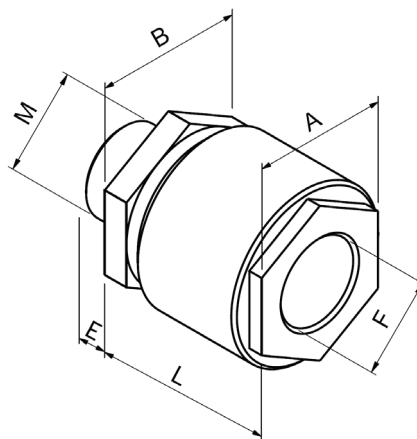
### Technical specification

Insulating adaptors	
ATEX marking	Ex II 2 GD, Ex db IIC Gb, Ex eb IIC Gb, Ex tb IIIC Db
ATEX certification	ITS 16 ATEX 101088X
IEC Ex certification	IECEx ITS 16.0049X
Temperature range	-20 °C to +130 °C
Ingress protection	IP54
Material	brass, mild steel, stainless steel 316L, aluminium insulating material - glass-filled nylon

### Dimensions

THREAD SIZE	THREAD LENGTH	TOTAL LENGTH
M16	15.0	64.0
M20	15.0	64.0
M25	15.0	64.0
M32	15.0	64.0
M40	15.0	64.0
M50	15.0	64.0
M63	15.0	64.0
M75	15.0	64.0

All dimensions in mm.



### Ordering codes (Redapt)

DIGITS 1 & 2 DESCRIPTION (INS.ADP)	DIGIT 3		DIGIT 4		DIGIT 5		DIGITS 6 & 7 MALE / DIGITS 8 & 9 FEMALE				
	CODE	CERTIFICATE	CODE	MATERIAL	CODE	PLATING	CODE	THREAD SIZE / CODE			
Insulating Adaptor	DB	Ex d / Ex e	U	Brass	1	None	0	M16	03	½" NPT	29
				Mild steel	2	Nickel	1	M20	04	¾" NPT	30
				Stainless steel 316L	3	Zinc	2	M25	05	1" NPT	31
				Aluminium	5			M32	06	1¼" NPT	32
								M40	07	1½" NPT	33
								M50	08	2" NPT	34
								M63	09	2½" NPT	35
								M75	10	3" NPT	36
		Industrial	F								

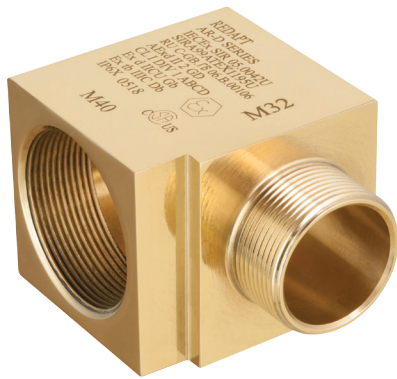
Other sizes/threadforms available on request

PRODUCT CODE EXAMPLE	INS.ADP.	Ex d / Ex e	BRASS	PLATING (NONE)	M25	M25	REFERENCE
	DB	U	1	0	05	05	= DBU100505

For more information about product coding, see page 3.25

# Right angle adaptors - Redapt

Hazardous area accessories



## Features

- Provides a means of connection where protrusion space is limited
- Allows the conversion of thread size/threadforms whilst connecting
- Maintains Ex certification whilst converting thread size or threadforms
- International Ex certifications
- Ingress protection IP66/IP68
- Various threadforms and materials available



IP66

IP68

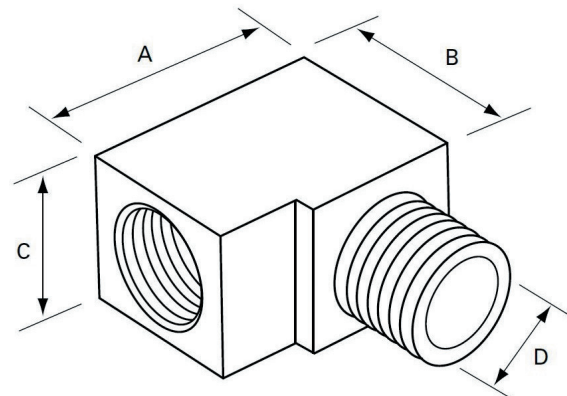
## Technical specification

Right angle adaptors	
ATEX marking	Ex II 2 GD, Ex d IIC Gb, Ex tb IIIC Db, IP6X
ATEX certification	Sira 99 ATEX 1195U
IEC Ex certification	IECEx SIR 12.0016X
Other certificates	GOST: TC RUC-G B.ГБ506.B.00105 INMETRO: NCC 12.0764X
Temperature range	This item is classified as a component; metallic products are not given an operating temperature range
Ingress protection (IP)	IP66 / IP68
Material	brass, aluminium, stainless steel 316L

## Dimensions

	BORE (D)	THREAD LENGTH	TOTAL HEIGHT (A)	LENGTH (B)	WIDTH (C)
M16 x M16	10.0	16.00	33.00	27.00	23.00
M20 x M20	14.5	16.00	39.00	29.00	25.00
M25 x M25	18.0	16.00	46.00	35.00	32.00
M32 x M32	24.0	16.00	51.00	44.00	40.00
M40 x M40	32.0	16.00	61.00	52.00	48.00
M50 x M50	41.0	16.00	73.00	65.00	60.00
M63 x M63	53.0	16.00	86.00	77.00	73.00
M75 x M75	64.0	16.00	99.00	94.00	87.00

All dimensions in mm.



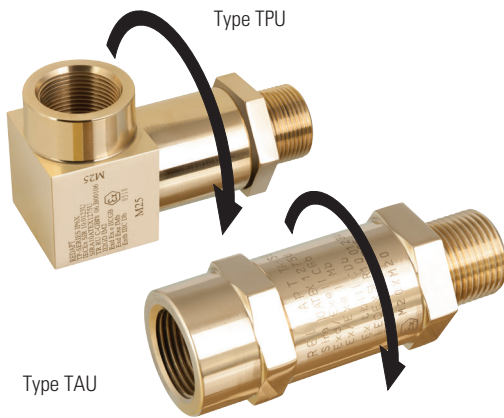
## Ordering codes (Redapt)

DIGITS 1 & 2 DESCRIPTION (R.A. ADAPTORS)	DIGIT 3 CERTIFICATE	DIGIT 4 MATERIAL	DIGIT 5 PLATING	DIGITS 6 & 7 MALE / DIGITS 8 & 9 FEMALE THREAD SIZE / CODE							
CODE	CODE	CODE	CODE	CODE	CODE	CODE					
Right angle adaptor	AR	Ex d	D	Brass	1	None	0	M16	03	½" NPT	29
				Stainless steel 316L	3	Nickel	1	M20	04	¾" NPT	30
				Aluminium	5	Zinc	2	M25	05	1" NPT	31
								M32	06	1¼" NPT	32
								M40	07	1½" NPT	33
								M50	08	2" NPT	34
								M63	09	2½" NPT	35
	Industrial		F					M75	10	3" NPT	36

Other sizes/threadforms available on request

PRODUCT CODE EXAMPLE	R.A.ADP.	Ex d	BRASS	PLATING (NONE)	M25	M20	REFERENCE
	AR	D	1	0	05	04	= ARD100504

For more information about product coding, see page 3.25



### Features

- Allows a full 360° of cable entry/exit positions
- The inline version allows independent connection at both ends
- Greatly improves ease of installation in confined or difficult locations
- Inline and right angle versions available
- International Ex certifications
- Ingress protection IP66/IP68
- Male/male and female/female options available
- Various threadforms and materials available

### Technical specification

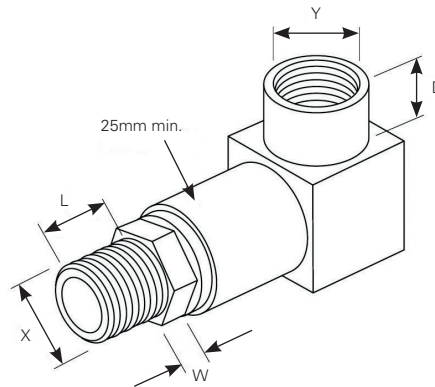
Swivel adaptors	
ATEX marking	Ex I M2, Ex d I Mb, Ex e I Mb (not aluminium) Ex II 2GD, Ex d IIC Gb, Ex e IIC Gb, Ex tb IIC Db
	II 2GD, Ex d Ex e IIC Gb, Ex d Ex e I Mb (not aluminium), Ex tb IIC Db IP 6X
ATEX certification	SIRA 10 ATEX 1275U
IEC Ex certification	IECEX SIR 10.0123U, IECEX SIR 12.0016X (droit)
Temperature range	-20 °C to +60 °C (Ex d), -50 °C to +200 °C (Ex e)
Ingress protection	IP66 / IP68
Material	brass, stainless steel 316L, aluminium



### Dimensions

THREAD SIZE MALE (X)	THREAD SIZE FEMALE (Y)	L	W	D
M20	M20	17.0	4.0	17.0
M25	M20 to M25	17.0	4.0	17.0
M32	M20 to M32	17.0	5.0	17.0
M40	M20 to M40	17.0	5.0	17.0
M50	M20 to M50	17.0	5.0	17.0
M63	M20 to M63	17.0	5.0	17.0
M75	M20 to M75	17.0	5.0	17.0

All dimensions in mm.



### Ordering codes (Redapt)

DIGITS 1 & 2 DESCRIPTION (ADP TOURNANTS)	DIGIT 3 CERTIFICATE	DIGIT 4 CODE	DIGIT 5 CODE	DIGIT 6 CODE	DIGIT 7 CODE	DIGIT 8 CODE	DIGIT 9 CODE	DIGITS 6 & 7 MALE / DIGITS 8 & 9 FEMALE
DESCRIPTION	CODE	CERTIFICATE	CODE	MATERIAL	CODE	PLATING	CODE	THREAD SIZE / CODE
Swivel adaptor (inline)	TA	Ex d / Ex e	U	Brass	1	None	0	M16 03 ½" NPT 29
Swivel adaptor (90°)	TP			Stainless steel 316L	3	Nickel	1	M20 04 ¾" NPT 30
				Aluminium	5	Zinc	2	M25 05 1" NPT 31
								M32 06 1¼" NPT 32
								M40 07 1½" NPT 33
								M50 08 2" NPT 34
								M63 09 2½" NPT 35
	Industrial		F					M75 10 3" NPT 36

Other sizes/threadforms available on request

PRODUCT CODE EXAMPLE	SWIVEL ADP.	Ex d / Ex e	BRASS	PLATING (NONE)	M25	M20	REFERENCE
	TA	U	1	0	05	04	= TAU100504

For more information about product coding, see page 3.25

# 'Y' adaptors - Redapt

Hazardous area accessories



## Features

- Allows additional connection in space-restricted environments
- Allows the conversion to another size and/or threadform
- Maintains Ex certification while converting to another size and/or threadform
- International Ex certifications
- Ingress protection IP66/IP68
- Brass, stainless steel, mild steel and aluminium versions available



IP66

IP68

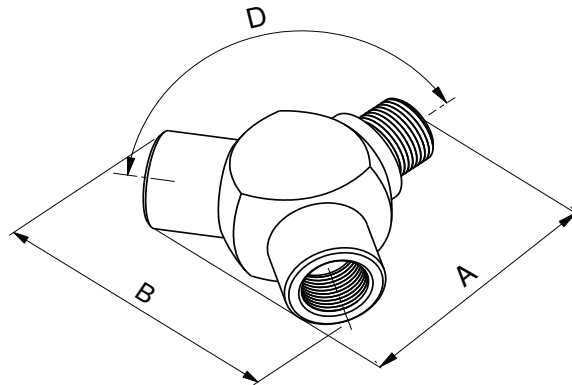
## Technical specification

'Y' Adaptors	
ATEX marking	Ex I M2, Ex db I Mb, Ex eb I Mb (not aluminium) Ex II 2GD, Ex db IIC Gb, Ex eb IIC Gb, Ex tb IIIC Db IP 66
ATEX certification	ITS 16 ATEX 101340U
IEC Ex certification	IECEx ITS 16.0015U
Temperature range	-60 °C to +200 °C
Ingress protection	IP66 / IP68
Material	brass, aluminium, stainless steel 316L, mild steel

## Dimensions

THREAD SIZE MALE	THREAD SIZE FEMALE	A (MAX)	B (MAX)	ANGLE BETWEEN ENTRIES "D"
M16	M16	65.00	75.00	120 °
M20	M20	65.00	75.00	120 °
M25	M25	67.00	78.00	120 °
M32	M32	70.00	81.00	120 °
M40	M40	89.00	102.00	120 °
M50	M50	104.00	120.00	120 °
M63	M63	131.00	151.00	120 °
M75	M75	153.00	177.00	120 °
¾"NPT	¾"NPT	65.00	75.00	120 °
½"NPT	½"NPT	65.00	75.00	120 °
¾"NPT	¾"NPT	67.00	78.00	120 °
1"NPT	1"NPT	78.00	90.00	120 °
1¼"NPT	1¼"NPT	89.00	102.00	120 °
1½"NPT	1½"NPT	104.00	120.00	120 °
2"NPT	2"NPT	131.00	151.00	120 °
2½"NPT	2½"NPT	153.00	177.00	120 °

All dimensions in mm.



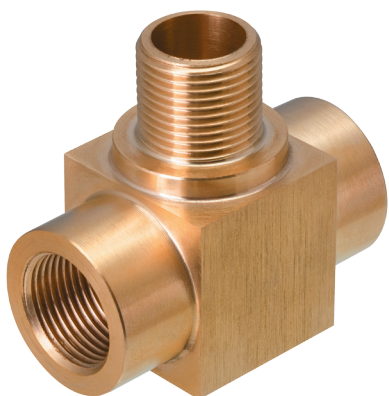
## Ordering codes (Redapt)

DIGITS 1 & 2 DESCRIPTION ( 'Y' ADAPTORS)	DIGIT 3 CERTIFICATE	DIGIT 4 MATERIAL	DIGIT 5 PLATING	DIGITS 6 & 7 MALE / DIGITS 8 & 9 FEMALE														
				CODE	CODE	CODE	CODE	THREAD SIZE / CODE	CODE	CODE	CODE							
'Y' adaptor	AY	Ex d / Ex e	U	Brass	1	None	0	M16	03	½" NPT	29							
				Mild steel	2	Nickel	1	M20	04	¾" NPT	30							
				Stainless steel 316L	3	Zinc	2	M25	05	1" NPT	31							
				Aluminium	5			M32	06	1¼" NPT	32							
								M40	07	1½" NPT	33							
								M50	08	2" NPT	34							
												M63	09	2½" NPT	35			
															M75	10	3" NPT	36
	Industrial	F																

Other sizes/threadforms available on request

PRODUCT CODE EXAMPLE	'Y' ADAPTOR	Ex d / Ex e	ST. STEEL	PLATING (NONE)	M32	M32	REFERENCE
	AY	U	3	0	06	06	= AYU300606

For more information about product coding, see page 3.25



### Features

- Allows additional connection in space-restricted environments
- Allows the conversion to another size and/or threadform
- Maintains Ex certification while converting to another size and/or threadform
- International Ex certifications
- Ingress protection IP66/IP68
- Brass, stainless steel, mild steel and aluminium versions available



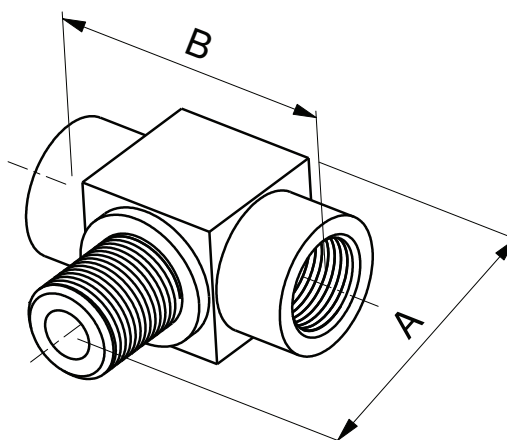
### Technical specification

'T' adaptors	
ATEX marking	Ex I M2, Ex db I Mb, Ex eb I Mb (not aluminium) Ex II 2GD, Ex db IIC Gb, Ex eb IIC Gb, Ex tb IIIC Db IP 66
ATEX certification	ITS 16 ATEX 101340U
IEC Ex certification	IECEx ITS 16.0015U
Temperature range	-60 °C to +200 °C
Ingress protection	IP66 / IP68
Material	brass, mild steel, stainless steel 316L, aluminium

### Dimensions

THREAD SIZE MALE	THREAD SIZE FEMALE	A (MAX)	B (MAX)
M16	M16 to M20	65.00	75.00
M20	M16 to M25	65.00	75.00
M25	M16 to M32	67.00	78.00
M32	M16 to M40	70.00	81.00
M40	M16 to M50	89.00	102.00
M50	M16 to M63	104.00	120.00
M63	M16 to M75	131.00	151.00
M75	M16 to M75	153.00	177.00
¾" NPT	¾" NPT to ½" NPT	65.00	75.00
½" NPT	¾" NPT to ¾" NPT	65.00	75.00
¾" NPT	¾" NPT to 1" NPT	67.00	78.00
1" NPT	¾" NPT to 1½" NPT	78.00	90.00
1¼" NPT	¾" NPT to 1½" NPT	89.00	102.00
1½" NPT	¾" NPT to 2" NPT	104.00	120.00
2" NPT	¾" NPT to 2½" NPT	131.00	151.00
2½" NPT	¾" NPT to 2½" NPT	153.00	177.00

All dimensions in mm.



### Ordering codes (Redapt)

DIGITS 1 & 2 DESCRIPTION ('T' ADAPTORS)	DIGIT 3 CODE	DIGIT 3 CERTIFICATE	DIGIT 4 CODE	DIGIT 4 MATERIAL	DIGIT 5 CODE	DIGIT 5 PLATING	DIGITS 6 & 7 MALE / DIGITS 8 & 9 FEMALE						
							CODE	THREAD SIZE / CODE					
'T' adaptor	AT	Ex d / Ex e	U	Brass	1	None	0	M16	03	½" NPT	29		
				Mild steel	2	Nickel	1	M20	04	¾" NPT	30		
				Stainless steel 316L	3	Zinc	2	M25	05	1" NPT	31		
				Aluminium	5			M32	06	1¼" NPT	32		
								M40	07	1½" NPT	33		
								M50	08	2" NPT	34		
								M63	09	2½" NPT	35		
								M75	10	3" NPT	36		
				Industrial		F							

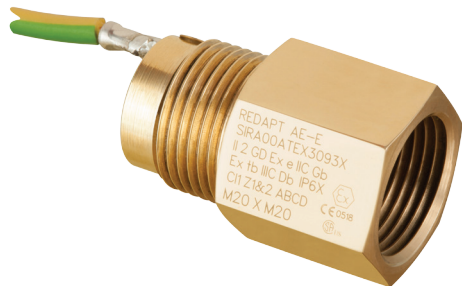
Other sizes/threadforms available on request

PRODUCT CODE EXAMPLE	'T' ADAPTOR	Ex d / Ex e	BRASS	PLATING (NONE)	M25	M25	REFERENCE
	AT	U	1	0	05	05	= ATU100505

For more information about product coding, see page 3.25

# Earth lead adaptors - Redapt

Hazardous area accessories



## Features

- Provides equipotential bonding or grounding of cable entries
- Maintains Ex certification
- International Ex certifications
- Various threadforms and materials available



IP66

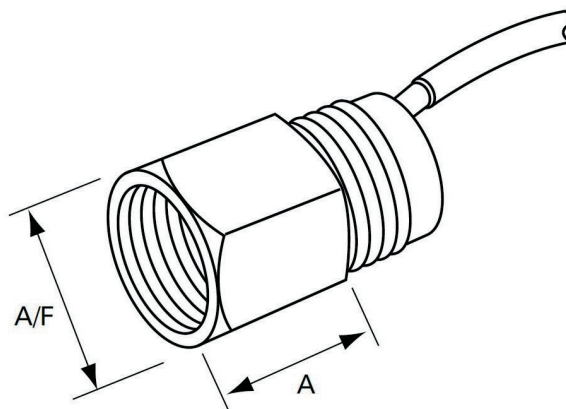
## Technical specification

Earth lead adaptors	
ATEX marking	Ex II 2GD, Ex e IIC Gb, Ex tb IIIC Db
ATEX certification	SIRA 00 ATEX 3093X
IEC Ex certification	IECEx SIR 12.0016X
Other certificates	CSA: 1248014 (LR 106084) EAC: TC RUC-G B.ГБ06.B.00105
Temperature range	-20 °C to +40 °C
Material	brass, mild steel, stainless steel 316L, aluminium

## Dimensions

THREAD SIZE	LENGTH A	ACROSS FLATS (A/F)
M16	21.50	23.37
M20	21.50	30.48
M25	21.50	37.59
M32	21.50	47.24
M40	21.50	55.88
M50	21.50	70.10
M63	21.50	90.17

All dimensions in mm.



## Ordering codes (Redapt)

DIGITS 1 & 2 DESCRIPTION (EARTH LEAD ADP.)	DIGIT 3 CERTIFICATE	DIGIT 4 MATERIAL	DIGIT 5 PLATING	DIGITS 6 & 7 MALE / DIGITS 8 & 9 FEMALE THREAD SIZE / CODE
Earth lead adaptor	Ex e	Brass	None	M16 03 ½" NPT 29
		Mild steel		M20 04 ¾" NPT 30
		Stainless steel 316L		M25 05 1" NPT 31
		Aluminium		M32 06 1¼" NPT 32
				M40 07 1½" NPT 33
				M50 08 2" NPT 34
				M63 09 2½" NPT 35
	Industrial			M75 10 3" NPT 36

Other sizes/threadforms available on request

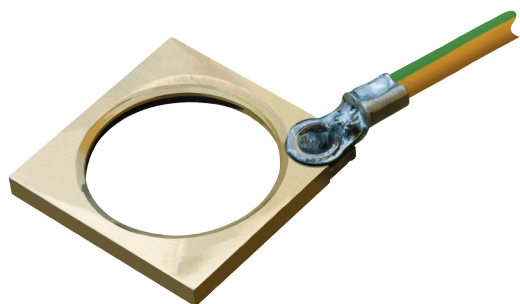
PRODUCT CODE EXAMPLE	EARTH LEAD ADP.	Ex d / Ex e	BRASS	PLATING (NONE)	M25	M25	REFERENCE
	AE	E	1	0	05	05	= AEE100505

For more information about product coding, see page 3.25



# Threaded earth plates - Redapt

Hazardous area accessories



## Features

- Maintains earth continuity
- International Ex certifications
- Various threadforms available
- Supplied with earth lead



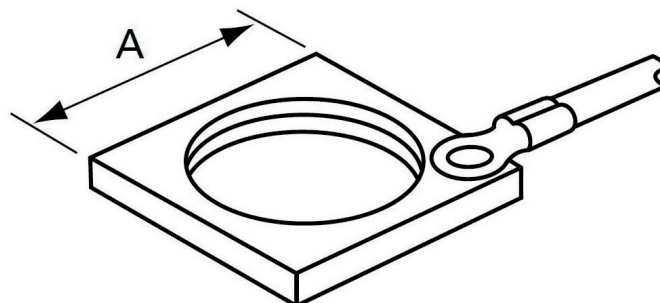
## Technical specification

Threaded earth plates	
ATEX marking	Ex II 2GD, Ex e II
ATEX certification	SIRA 00 ATEX 1073U
Temperature range	This product is classified as a component; these metallic products are not given an operating temperature range.
Material	brass

## Dimensions

THREAD SIZE	A	EARTH LEAD DIAMETER (length 300 mm)
M16	22.0	2.50 mm <sup>2</sup>
M20	30.0	2.50 mm <sup>2</sup>
M25	32.0	4.00 mm <sup>2</sup>
M32	38.0	6.00 mm <sup>2</sup>

All dimensions in mm.



## Ordering codes (Redapt)

DIGITS 1 & 2 DESCRIPTION (THREADED EARTH PLATE)	CODE	DIGIT 3		DIGIT 4		DIGIT 5		DIGITS 6 & 7 FEMALE / DIGITS 8 & 9 FEMALE (non applicable)			
		CERTIFICATE	CODE	MATERIAL	CODE	PLATING	CODE	THREAD SIZE / CODE			
Threaded earth plate	ET	Ex e	E	Brass	1	None	0	M16	03	½" NPT	29
								M20	04	¾" NPT	30
								M25	05	1" NPT	31
								M32	06	1¼" NPT	32
								M40	07	1½" NPT	33
								M50	08	2" NPT	34
								M63	09	2½" NPT	35
		Industrial	F					M75	10	3" NPT	36

Other sizes/threadforms available on request

PRODUCT CODE EXAMPLE	EARTH PLATE	Ex e	BRASS	PLATING (NONE)	M25	--	REFERENCE
	ET	E	1	0	05	00	= ETE100500

For more information about product coding, see page 3.25



# Breather drains (metallic) Ex e - Redapt

Hazardous area accessories



## Features

- Drains moisture from an enclosure (Ex e) and allows air to vent into atmosphere, minimising moisture build up
- The Ex certification of the equipment is not affected
- IEC Ex international certification
- Maintains IP66 ingress protection
- Available in 2 thread lengths: 10 mm with 2 drainage holes or 15 mm with 3 drainage holes
- Brass, stainless steel, aluminium and glass-filled nylon versions available



IP66

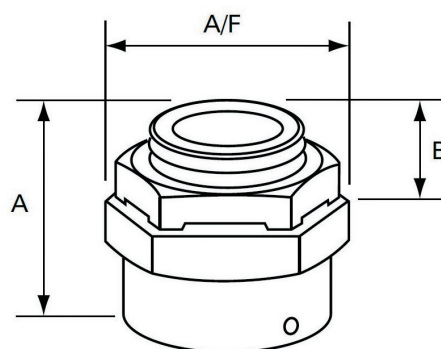
## Technical specification

Breather drains Ex e (metallic)	
ATEX marking (brass/stainless steel 316L)	Ex I M2, Ex e I Mb
	Ex II 2 GD, Ex e IIC Gb, Ex tb IIIC Db IP66
ATEX marking (aluminium)	Ex II 2 GD, Ex e IIC Gb, Ex tb IIIC Db IP66
ATEX certification	SIRA 99 ATEX 3050X
IEC Ex certification	IECEX SIR 08.0024X
Other certificates	CSA: 185887-2500003408 (LR 106084) EAC: TR RU C-GB.GB06.B.00106
Temperature range	Metallic body dependent on filter and seal material
	Nitrile: -30 °C to +100 °C (standard version)
	EPDM: -50 °C to +125 °C
	Neoprene: -40 °C to +100 °C
	Viton: -20 °C to +180 °C
	Silicone: -50 °C to +180 °C
	Fluorosilicone: -70 °C to +150 °C
Ingress protection	IP66
Material	Brass, aluminium, stainless steel 316L

## Dimensions

THREAD SIZE	ACROSS FLATS A/F	TOTAL LENGTH A	MALETHREAD LENGTH SIZE B
M20	28.60	23.00 (min)	10.00 (min)
M25	34.90	23.00 (min)	10.00 (min)
M32	41.30	23.00 (min)	10.00 (min)
½"NPT	28.60	28.00 (min)	15.00 (min)
¾"NPT	34.90	28.00 (min)	15.00 (min)
1"NPT	41.30	28.00 (min)	15.00 (min)

All dimensions in mm.



## Ordering codes (Redapt)

DIGITS 1 & 2 DESCRIPTION (BREATHING DRAINS Ex e)	DIGIT 3	DIGIT 4	DIGIT 5	DIGITS 6 & 7 THREAD SIZE / DIGITS 8 & 9 THREAD LENGTH					
CODE	CERTIFICATE CODE	MATERIAL	PLATING	CODE					
Breather drains Ex e	DP	Ex e	E	Brass	1	None	0	M20 04	10mm / 2 holes / with castellated locknut S1
				Stainless steel 316L	3	Nickel	1	M25 05	10mm / 2 holes / no castellated locknut S2
				Aluminium	5	Zinc	2	M32 06	15mm / 3 holes / with castellated locknut S3
								½" NPT 29	15mm / 3 holes / no castellated locknut S4
								¾" NPT 30	
								1" NPT 31	
	Industrial	F							

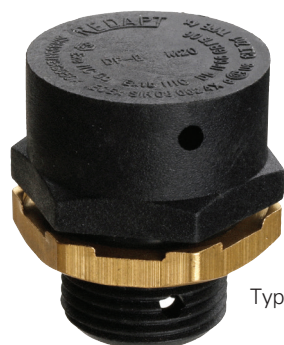
Other sizes/threadforms available on request

PRODUCT CODE EXAMPLE	BREATHING DRAIN	Ex e	ST. STEEL	PLATING (NONE)	M20	10mm 2 HOLES	REFERENCE
	DP	E	3	0	04	S1	= DPE3004S1

For more information about product coding, see page 3.25



# Breather drains (nylon) Ex e - Redapt



Type DPE4

## Features

- Drains moisture from an enclosure (Ex e) and allows air to vent into atmosphere, minimising moisture build up
- The Ex certification of the equipment is not affected
- IEC Ex international certification
- Maintains IP66 ingress protection
- Available in 2 thread lengths: 10 mm with 2 drainage holes or 15 mm with 3 drainage holes
- Brass, stainless steel and aluminium versions also available



IP66

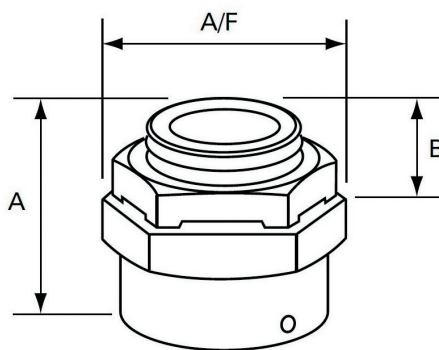
## Technical specification

Breather drains Ex e (nylon)	
ATEX marking (nylon)	Ex e IIC Gb, Ex tb IIIC Db IP66
ATEX certification	SIRA 99 ATEX 3050X, ITS16ATEX101338X
IEC Ex certification	IECEX SIR 08.0024X, IECEx ITS 16.0014X
Other certificates	CSA: 185887-2500003408 (LR 106084) EAC: TR RU C-GB.GB06.B.00106
Temperature range	Nylon body: -50 °C to +125 °C unless limited by filter material HDPE filter: -50 °C to +85 °C Nitrile: -30 °C to +100 °C (standard version) EPDM: -50 °C to +125 °C Neoprene: -40 °C to +100 °C Viton: -20 °C to +180 °C Silicone: -50 °C to +180 °C Fluorosilicone: -70 °C to +150 °C
Ingress protection	IP66
Material	Glass-filled nylon

## Dimensions

THREAD SIZE	ACROSS FLATS A/F	TOTAL LENGTH A	MALETHREAD LENGTH SIZE B
M20	28.60	23.00 (min)	10.00 (min)
M25	34.90	23.00 (min)	10.00 (min)
M32	41.30	23.00 (min)	10.00 (min)
½" NPT	28.60	28.00 (min)	15.00 (min)
¾" NPT	34.90	28.00 (min)	15.00 (min)
1" NPT	41.30	28.00 (min)	15.00 (min)

All dimensions in mm.



## Ordering codes (Redapt)

DIGITS 1 & 2 DESCRIPTION (BREATHER DRAINS Ex e)	DIGIT 3	DIGIT 4	DIGIT 5	DIGITS 6 & 7 THREAD SIZE / DIGITS 8 & 9 THREAD LENGTH
CODE	CERTIFICATE CODE	MATERIAL	PLATING	THREAD SIZE / CODE
Breather drains Ex e	DP	Ex e	E	Glass-filled nylon
			4	None
			0	
				M20 04 10mm / 2 holes / with castellated locknut S1
				M25 05 10mm / 2 holes / no castellated locknut S2
				M32 06 15mm / 3 holes / with castellated locknut S3
				½" NPT 29 15mm / 3 holes / no castellated locknut S4
				¾" NPT 30
				1" NPT 31
	Industrial	F		

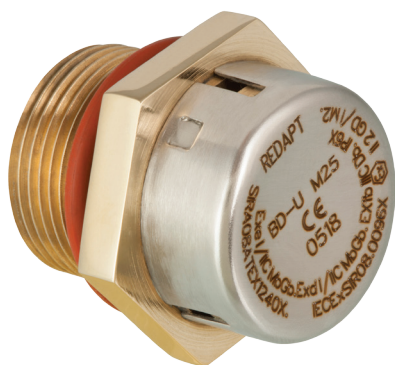
Other sizes/threadforms available on request

PRODUCT CODE EXAMPLE	BREATHER DRAIN	Ex e	ST.STEEL	PLATING (NONE)	M20	10mm 2 HOLES	REFERENCE
	DP	E	4	0	04	S1	= DPE3004S1

For more information about product coding, see page 3.25

# Breather drains Ex d/Ex e - Redapt

Hazardous area accessories



## Features

- Drains moisture from an enclosure (Ex d / Ex e) and allows air to vent into atmosphere, minimising moisture build up
- The Ex certification of the equipment is not affected
- IEC Ex international certification
- Maintains IP66 ingress protection
- Available in brass or stainless steel 316L and with various O-ring materials



IP66

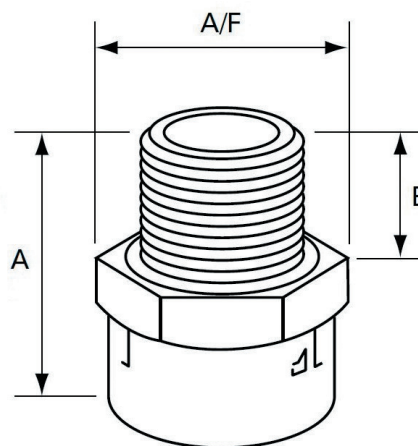
## Technical specification

Breather drains Ex d / Ex e	
ATEX marking	Ex I M2, Ex d I Mb, Ex e I Mb Ex II 2 GD, Ex d IIC Gb, Ex e IIC Gb, Ex tb IIIC Db IP6X
ATEX certification	SIRA 08 ATEX 1240X
IEC Ex certification	IECEx SIR 08.0096X
Temperature range	Metallic body dependent on filter and seal material Nitrile: -20 °C to +80 °C EPDM: -30 °C to +125 °C Neoprene: -20 °C to +100 °C Viton: -5 °C to +150 °C Silicone: -30 °C to +150 °C (standard version) Fluorosilicone: -50 °C to +150 °C
Ingress protection	IP66
Material	brass, stainless steel 316L

## Dimensions

THREAD SIZE	ACROSS FLATS A/F	TOTAL LENGTH A	MALETHREAD LENGTH SIZE B
M20	27.00	31.00 (min)	16.00 (min)
M25	31.75	31.00 (min)	16.00 (min)
½"NPT	27.00	35.00 (min)	20.00 (min)
¾"NPT	31.75	35.00 (min)	20.00 (min)

All dimensions in mm.



## Ordering codes (Redapt)

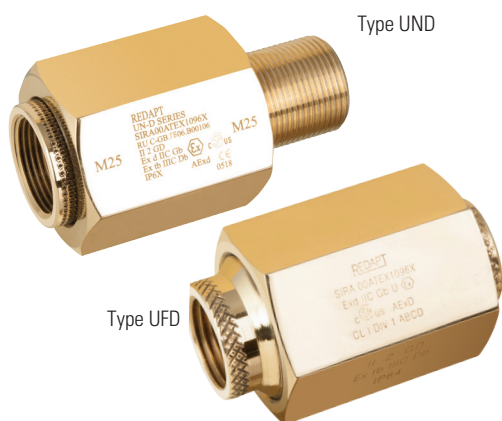
DIGITS 1 & 2 DESCRIPTION (BREATHER DRAINS Ex d/Ex e)	CODE	DIGIT 3 CERTIFICATE	DIGIT 4 CODE	DIGIT 5 MATERIAL	DIGIT 6 CODE	DIGIT 7 PLATING	DIGIT 8 CODE	DIGITS 6 & 7 THREAD SIZE / DIGITS 8 & 9 O-RING			
								THREAD SIZE / CODE	O-RING	REFERENCE	
Breather drains Ex d/Ex e	BD	Ex d / Ex e	U	Brass	1	None	0	M20	04	None	D0
					3	Nickel	1	M25	05	Silicone	D1
				Stainless steel 316L	2	Zinc	2	½" NPT	29	Fluorosilicone	D2
					3	None	2	¾" NPT	30	Viton	D3
								EPDM	D4		
									Neoprene	D5	
Nitrile	D6										

Industrial F

Other sizes/threadforms available on request

PRODUCT CODE EXAMPLE	BREATHER DRAIN	Ex d / Ex e	BRASS	PLATING (NONE)	M20	SILICONE	REFERENCE
	BD	U	1	0	04	D1	= BDU1004D1

For more information about product coding, see page 3.25



### Features

- Solution to rotating connection
- Protects threads
- Maintains Ex certification
- Available in brass, stainless steel and aluminium
- Various threadforms available



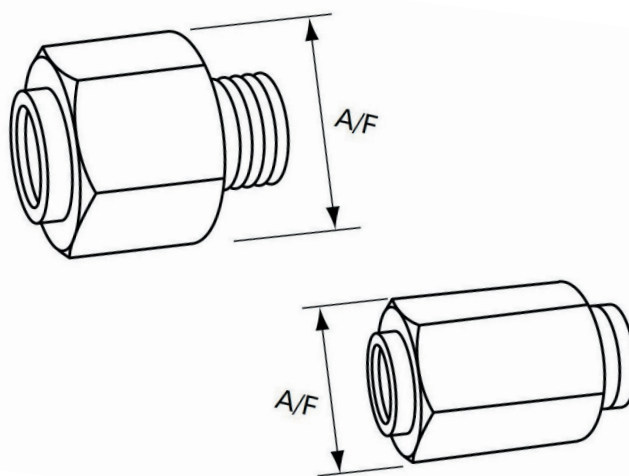
### Technical specification

	Unions
ATEX marking	Ex II 2 GD, Ex d IIC Gb, Ex tb IIIC Db, IP6X
ATEX certification	SIRA 00 ATEX 1096X
Other certificates	CSA: 1248014 (LR 106084) EAC: TR RU C-GB.GB06.B.00106
Temperature range	-50 °C to +180 °C
Ingress protection	IP66 / IP68
Material	brass, aluminium, stainless steel 316L

### Dimensions

UNION MALE TO FEMALE (UND)		UNION FEMALE TO FEMALE (UFD)	
THREAD SIZE	ACROSS FLATS A/F	THREAD SIZE	ACROSS FLATS A/F
M20	37.59	M20	37.59
M25	42.42	M25	42.42
M32	55.88	M32	55.88
M40	55.88	M40	55.88
M50	80.01	M50	80.01
M63	90.17	M63	90.17
M75	114.30	M75	114.30

All dimensions in mm.



### Ordering codes (Redapt)

DIGITS 1 & 2 DESCRIPTION (UNIONS)	DIGIT 3	DIGIT 4	DIGIT 5	DIGITS 6 & 7 MALE / DIGITS 8 & 9 FEMALE							
CODE	CERTIFICATE	CODE	MATERIAL	CODE							
				PLATING							
				CODE							
				THREAD SIZE / CODE							
UNION M-F	UN	Ex d	D	Brass	1	None	0	M16	03	½" NPT	29
UNION F-F	UF			Stainless steel 316L	3	Nickel	1	M20	04	¾" NPT	30
				Aluminium	5	Zinc	2	M25	05	1" NPT	31
								M32	06	1¼" NPT	32
								M40	07	1½" NPT	33
								M50	08	2" NPT	34
								M63	09	2½" NPT	35
								M75	10	3" NPT	36
	Industrial		F								

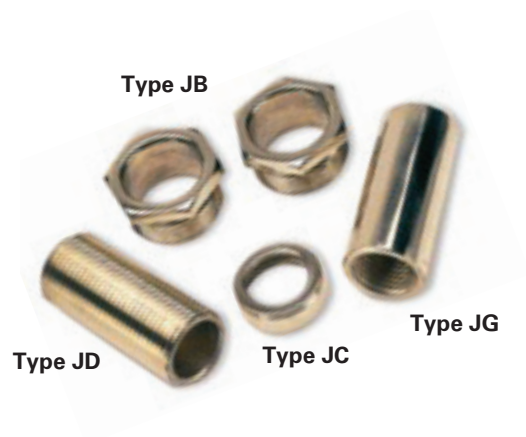
Other sizes/threadforms available on request

PRODUCT CODE EXAMPLE	UNION M-F	Ex d	ST.STEEL	PLATING (NONE)	M32	M25	REFERENCE
	UN	D	3	0	06	05	= UND300605

For more information about product coding, see page 3.25

# Accessories - metallic ISO / NPT threads - Raxton

Industrial cable glands and accessories



## Technical specification

- Different threadforms and materials available
- Male (JB) and female (JC) bushes are available
- Round couplers are type JG, and nipples are type JD
- Plating available on metallic finishes

### Nipples, couplers and bushes

Material: brass, mild steel, stainless steel 316L, aluminium, nylon

## Ordering codes (Raxton)

DIGITS 1 & 2 DESCRIPTION (NIPPLES...)	DIGIT 3		DIGITS 4 & 5 MALE / DIGITS 6 & 7 FEMALE				DIGIT 8		DIGIT 9		DIGIT 10		
	CODE	MATERIAL	CODE	THREADFORM/CODE		CERTIFICATE	CODE	SPECIAL	CODE	PLATING	CODE		
Male bush	JB	Brass	A	M16	11	½" NPT	42	Industrial	X or blank	None (standard)	X or blank	None Nickel Zinc Chromatised Special	blank N Z C S
Female bush	JC	Aluminium	B	M20	12	¾" NPT	43						
Nipple	JD	Mild steel	C	M25	13	1" NPT	44						
Round coupler	JG	Stainless steel 316L	E	M32	14	1¼" NPT	45						
			G	M40	15	1½" NPT	46						
			R	M50	16	2" NPT	47						
				M63	17	2½" NPT	48						
				M75	18	3" NPT	49						

Other sizes/threadforms available on request

PRODUCT CODE EXAMPLE	MALE BUSH	BRASS	M25 (M)	--	--	CATALOG NUMBER
	JB	A	13	00		= JBA1300

For more information on product coding, see page 3.24