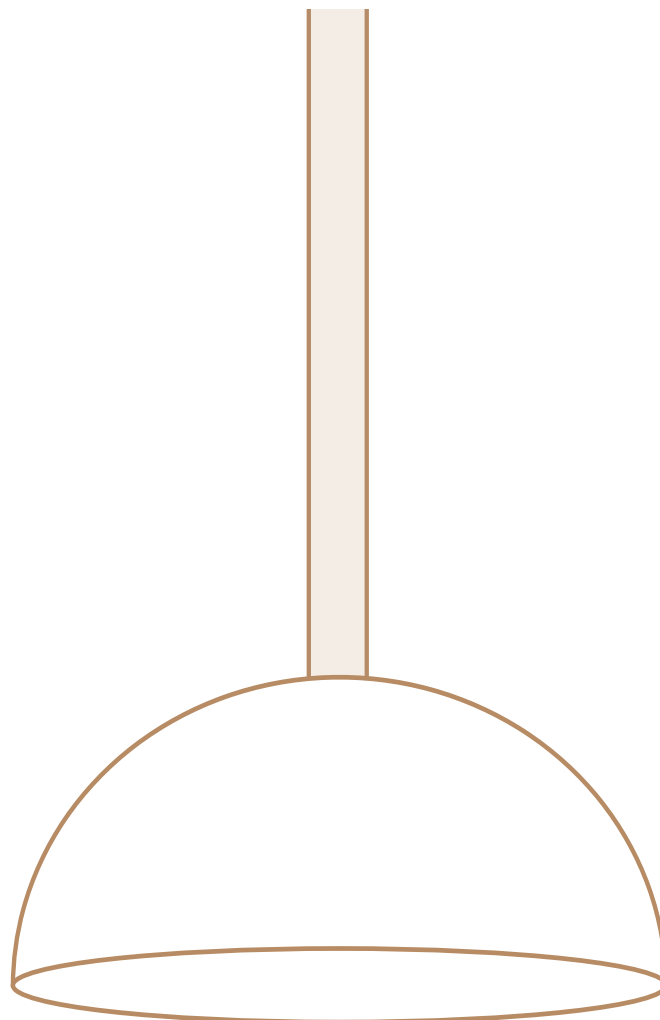




SO PENDANT (IP20) V.23.05

*Installation guide*



*LOW VOLTAGE - Do not wire light fitting directly to mains power.*

# SO PENDANT

## Installation guide



**DANGER** electric shock risk. Installation must be conducted by a licensed electrician.

### STAGE 1: INSTALL DRIVER

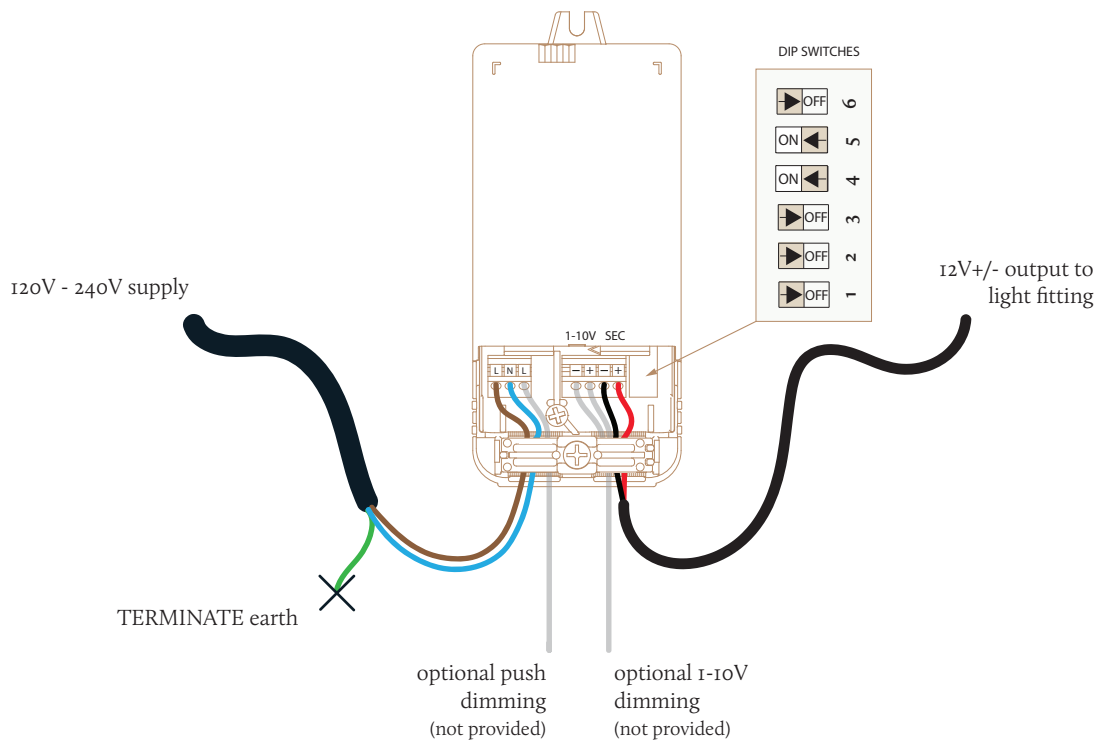
#### TCI Mini Jolly 125400

550mA Constant Current

Minimum cut-out hole diameter: 55 mm

Size: 111 x 22 x 52 mm

Plastic case: IP20 rated



- 1: Select driver location, ideally a remote location that is accessible such as an attic or cupboard. Affix driver to solid surface.
- 2: Unscrew terminal cover and unclick from sides.
- 3: Check DIP switches are set to required position - if not, set to pattern as shown above using a small screwdriver.
- 4: Ensure mains supply is switched off. Connect 120V-240V Load and Neutral supply to the left side of the driver as shown.
- 5: Terminate earth if present.
- 6: *Option A:* While at the framing stage, run a 2x core cable from the SEC output on the driver, to the desired position of the luminaire.  
*Option B:* If the driver must be located behind the luminaire. Connect +/- from LED luminaire to right side of driver in the SEC output.
- 7: (*Optional, not supplied*) If dimming is required, connect leads for 1-10V or Push Dimmer as illustrated.
- 8: Reattach terminal cover and screw closed.

## STAGE 2: INSTALL FITTING



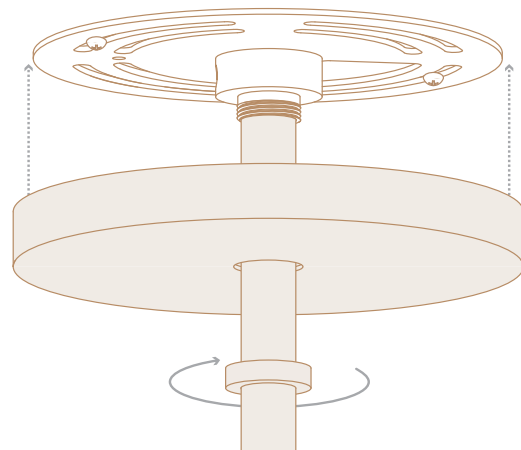
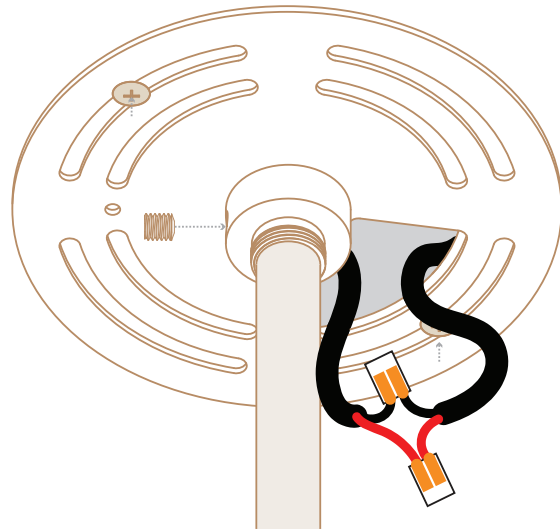
Ensure gloves are worn when handling natural brass products.



*LOW VOLTAGE - Do not wire light fitting directly to mains power.*

### STEP 1:

- Remove all items from box.
- Install driver as shown on opposite page.
- Drill <50mm hole in ceiling at desired location of luminaire and locate +/- power from driver output.
- Unscrew the brass ring from the canopy to detach the ceiling plate. Slot brass ring and canopy onto the tube.
- Install ceiling plate and affix to timber joist behind plasterboard.
- Adjust tube length to suit and secure with m6 grub screw.
- Pull wires through the designated slot in the ceiling plate and wire with WAGO connectors. Once connected tuck wires back into ceiling.
- Slot canopy into place and fix with brass ring.



### STEP 2:

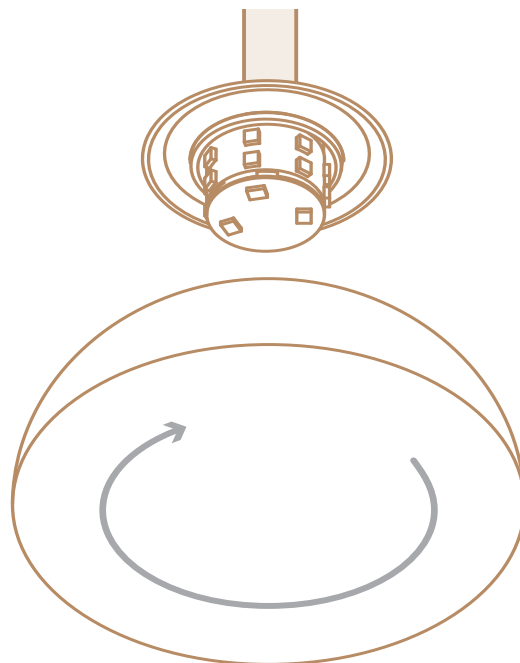
- Carefully slot LED module onto the brass tube. (If this is pre-attached please ensure this fitting is firmly in place)



## STAGE 2: INSTALL FITTING CONTINUED

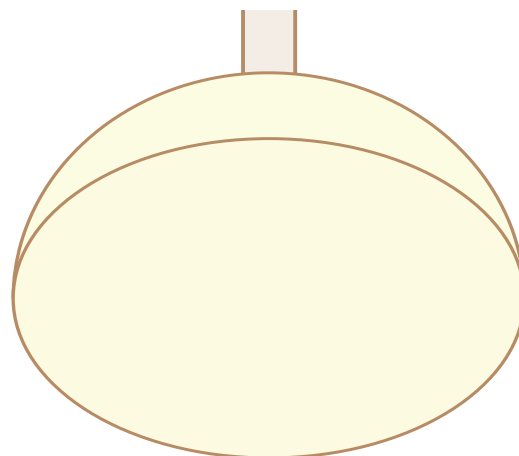
### STEP 3:

- Carefully screw glass diffuser onto module.



### STEP 4:

- Wipe down fitting with supplied dry cloth.
- Test fitting.



## CONTACT US

*www.nightworksstudio.com*  
*hello@nightworksstudio.com*  
(AU) 1300 568 369  
(NZ) 0800 568 369

## WARRANTY & CARE

