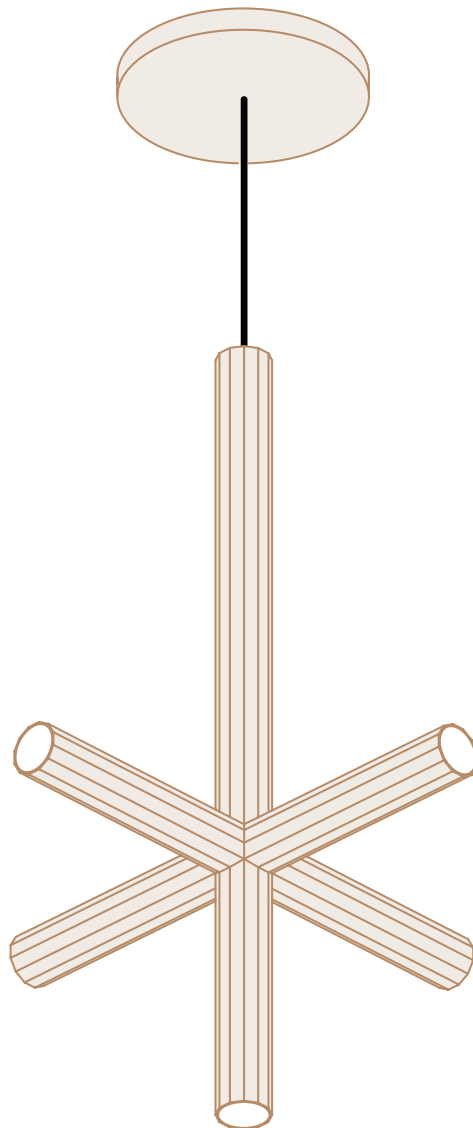




PETRINE PENDANT LIGHT / SINGLE (IP20)

PRODUCT CODE: PETSIN

Installation guide



LOW VOLTAGE - Do not wire light fitting directly to mains power.

PETRINE PENDANT LIGHT / SINGLE

Installation guide



DANGER electric shock risk. Installation must be conducted by a licensed electrician.

STAGE 1: INSTALL DRIVER

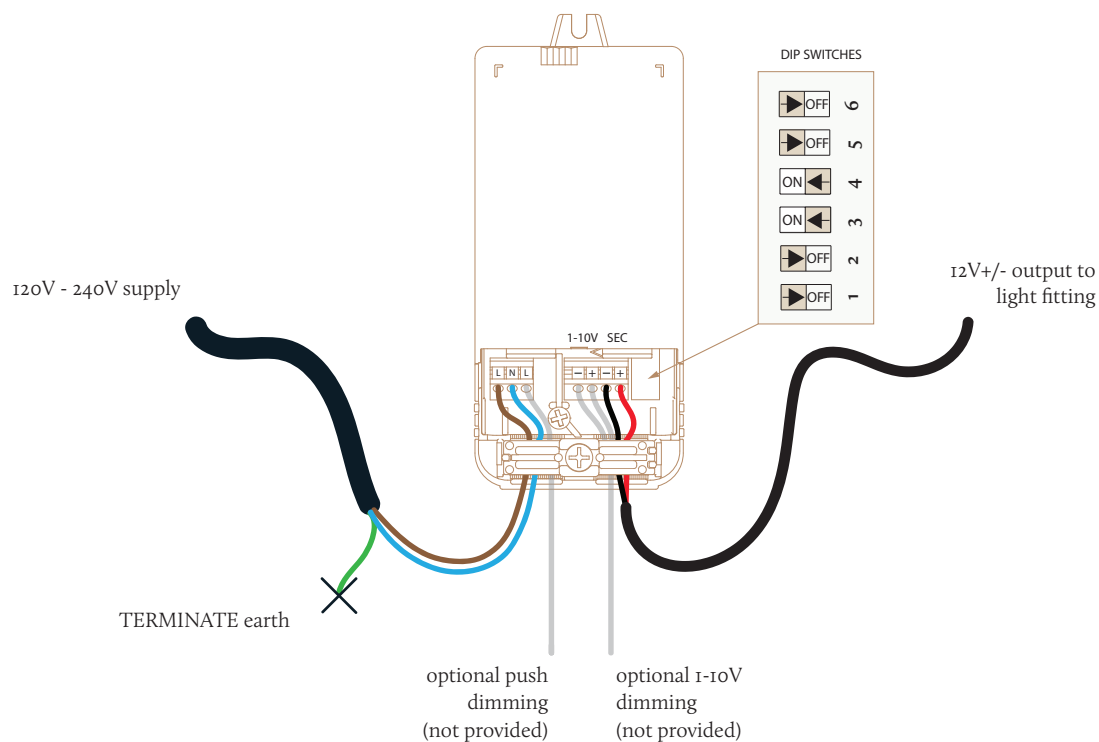
TCI Mini Jolly 125400

750mA Constant Current

Minimum cut-out hole diameter: 55 mm

Size: 111 x 22 x 52 mm

Plastic case: IP20 rated

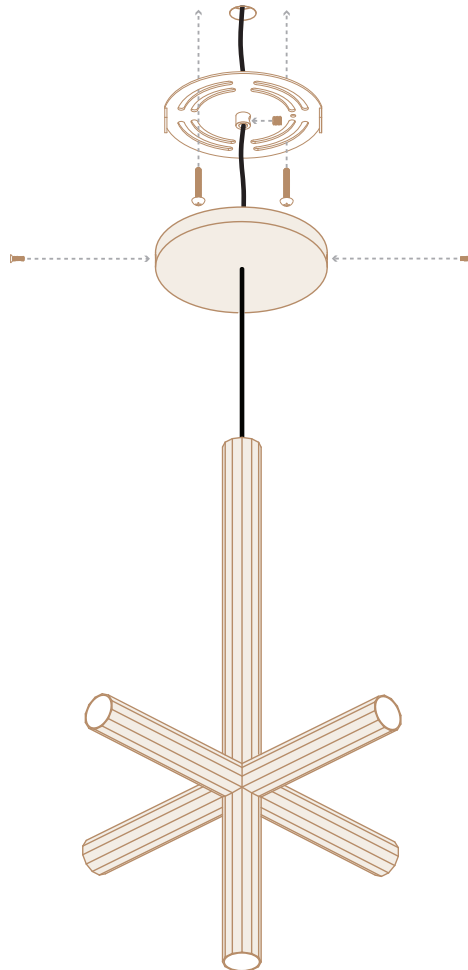


- 1: Select driver location, ideally a remote location that is accessible such as an attic or cupboard. Affix driver to solid surface.
- 2: Unscrew terminal cover and unclick from sides.
- 3: Check DIP switches are set to required position - if not, set to pattern as shown above using a small screwdriver.
- 4: Ensure mains supply is switched off. Connect 120V-240V Load and Neutral supply to the left side of the driver as shown.
- 5: Terminate earth if present.
- 6: *Option A:* While at the framing stage, run a 2x core cable from the SEC output on the driver, to the desired position of the luminaire.
Option B: If the driver must be located behind the luminaire. Connect +/- from LED luminaire to right side of driver in the SEC output.
- 7: (*Optional, not supplied*) If dimming is required, connect leads for 1-10V or Push Dimmer as illustrated.
- 8: Reattach terminal cover and screw closed.



LOW VOLTAGE - Do not wire light fitting directly to mains power.

STAGE 2: INSTALL FITTING



Ensure gloves are worn when handling natural brass products.

- 1: Remove all items from box.
- 2: Install driver as shown on opposite page.
- 3: Drill <25mm hole in ceiling at desired location of luminaire and locate +/- power from driver output.
- 4: Using the Hex key provided, remove M3 brass screws from the brass ceiling canopy.
- 5: Install white ceiling plate and affix to timber joist behind plasterboard.
- 6: Adjust cord length to suit.
- 7: Connect +/- power supply from LED luminaire to TCI Mini Jolly driver.
- 8: Resecure brass ceiling canopy with M3 brass screws.
- 9: Wipe down fitting with clean dry cloth.
- 10: Test fitting.