

Quiet Flow Exhaust Kit

Code: 8152

exclusive to Newtech



The Quiet Flow Exhaust Kit contains all of the components needed for a high performance single or multi-point line ventilation system including a powerful and acoustically lined inline fan. Combine this kit with your preferred internal ceiling grille to create a complete ventilation system.

Warranty

- 2 years

Benefits

- An all-in-one ventilation kit that is suitable for single and multi-point ventilation systems
- Pair this kit with any of the products in Expella's internal ceiling grille range (internal grilles are not included)
- Kit contains a high performance, silent inline fan capable of exhausting 530m³/hr (free air)
- Fan comes with an external high and low speed switch on the fan
- Low running costs due to the low wattage fan (just 44 watts on low speed)
- Fan is fitted with a 3 pin plug making the kit DIY friendly

Kit Contents

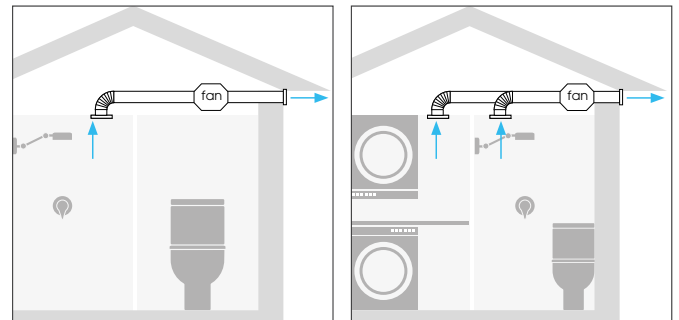
- 1x silent inline exhaust fan with built in back draft damper
- 1x 6 metre length R0.6 insulated flexible duct
- 1x 200mm x 200mm weatherproof external aluminium louvre with plenum box and 150mm spigot
- 4m aluminium silver tape
- 4x cable ties

Manufacturer

expella™

Applications

- Suitable for domestic multi-room applications including:
 - Bathroom exhaust
 - Laundry exhaust
 - General kitchen ventilation systems
- Can be installed by a home handyman or industry professional (electrician or air conditioning installer)



Quiet Flow Exhaust Kit

Code: 8152

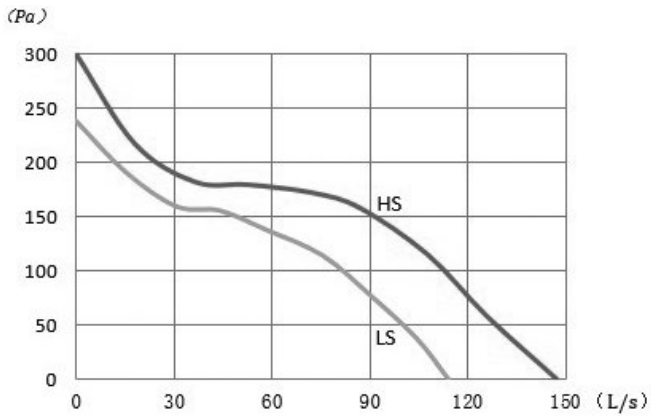
exclusive to Newtech

Fan Specifications

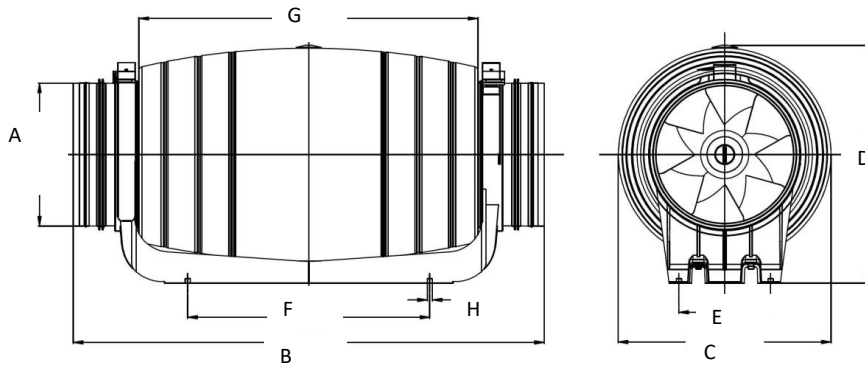
Model	Item code	Duct Size (mm)	Volts	W	m3/hr	L/s	Pa (max)	dB(A)*	Protection
EMFs 150	1EMF150S	150	240	50	530	147	300	31	IP44
				43	410	114	26		

*Measured at 3 metres

Fan Performance



Fan Dimensions



Model	A	B	C	D	E	F	G	H
EMFs 150	149	448	221	244	95	251	352	5