

INFORMATION SHEET

Standard Inline Exhaust Kit

Code: 8150

expella™
VENTILATION
SERIES

exclusive to Newtech



The Standard Exhaust Kit contains all of the components needed for an effective single point inline ventilation system. Combine this kit with your preferred internal ceiling grille to create a complete ventilation system.

Warranty

- 2 years

Benefits

- An all-in-one ventilation kit that is suitable for single point ventilation systems
- Pair this kit with any of the products in Expella's internal ceiling grille range (internal grilles are not included)
- Kit contains a high performance, silent inline fan capable of exhausting 530m³/hr (free air)
- Fan comes with an external high and low speed switch on the fan
- Low running costs due to the low wattage fan (just 44 watts on low speed)
- Fan is fitted with a 3 pin plug making the kit DIY friendly

Kit Contents

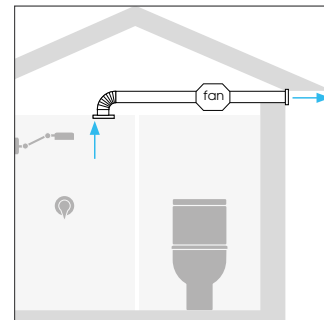
- 1x inline exhaust fan
- 1x 150mm non return damper
- 1x 6 metre length flexible duct
- 1x 150mm plastic half chevron external grille
- 4m aluminium silver tape
- 4x cable ties

Manufacturer

expella™

Applications

- Suitable for domestic multi-room applications including:
 - Bathroom exhaust
 - Laundry exhaust
 - General kitchen ventilation systems
- Can be installed by a home handyman or industry professional (electrician or air conditioning installer)



Intake grille not included in kit and shown for schematic purposes only.

Expella's ventilation kits allow for choice of intake grille (sold separately).

Standard Inline Exhaust Kit

Code: 8150

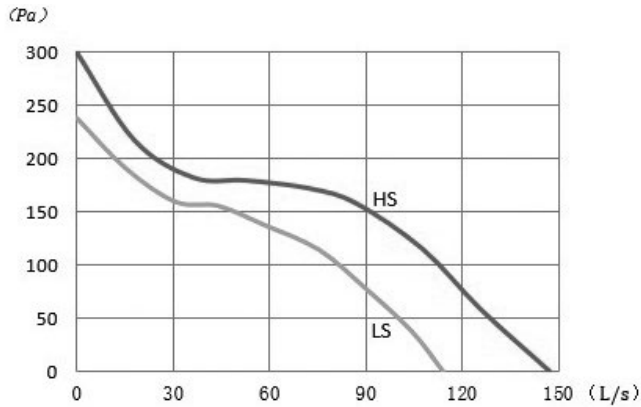
exclusive to Newtech

Fan Specifications

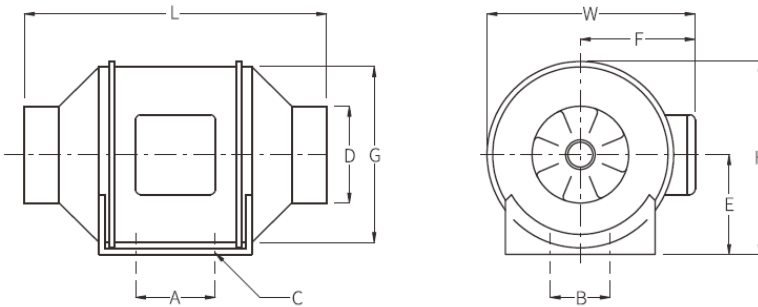
Model	Item code	Duct Size (mm)	Volts	W	m3/hr	L/s	Pa (max)	dB(A)*	Protection
EMF150	1EMF150	150	240	50	530	147	300	31	IP44
				43	410	114	240	26	

*Measured at 3 metres

Fan Performance



Fan Dimensions



Model	A	B	C	ØD	E	F	G	L	W	H
EMF150	80	60	4	147	109	127	187	313	227	208