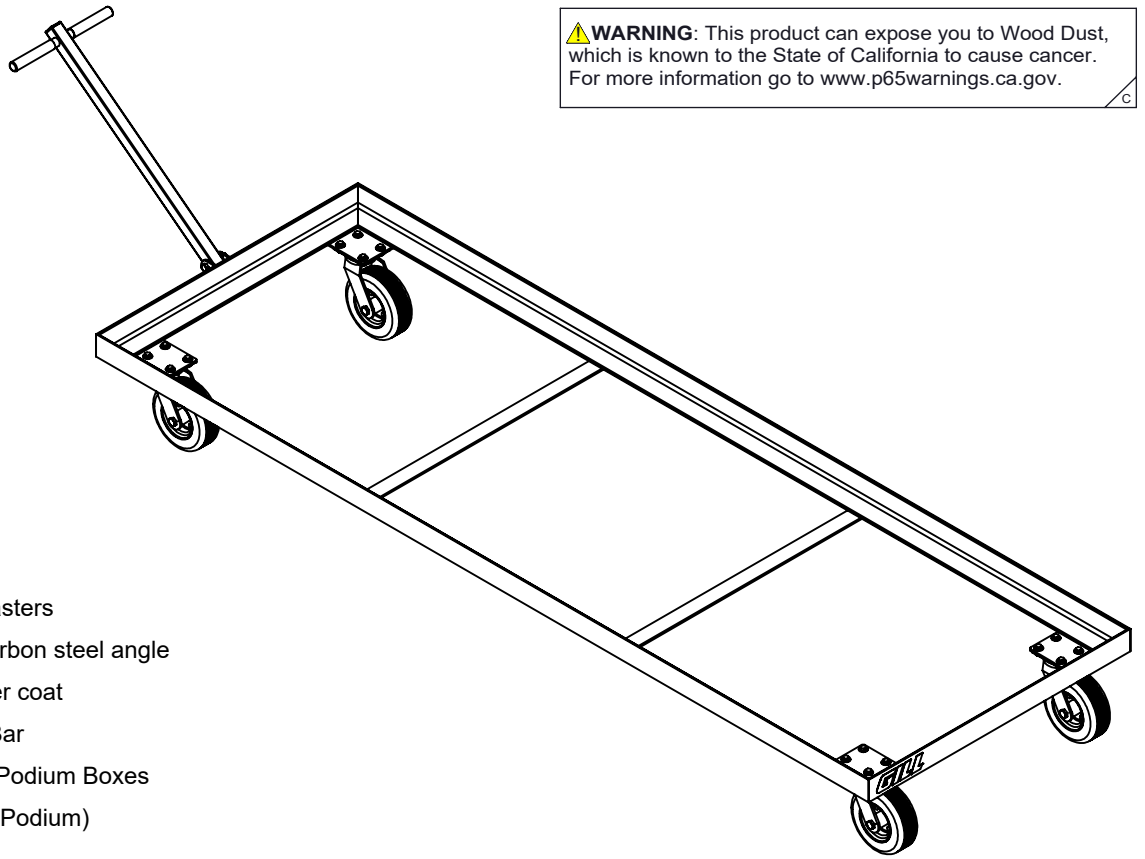




www.gillathletics.com
800-637-3090

991 - VICTORY PODIUM CART SPECIFICATION

WARNING: This product can expose you to Wood Dust, which is known to the State of California to cause cancer. For more information go to www.p65warnings.ca.gov.



Product Specifications:

- 8" Pneumatic Never-Flat Casters
- Made from 3" high grade carbon steel angle
- Durable architectural powder coat
- Powder coated, steel Tow Bar
- Transports all eight Victory Podium Boxes
- Cart Weight: 220lb (without Podium)
- Load Capacity: 1500lb

