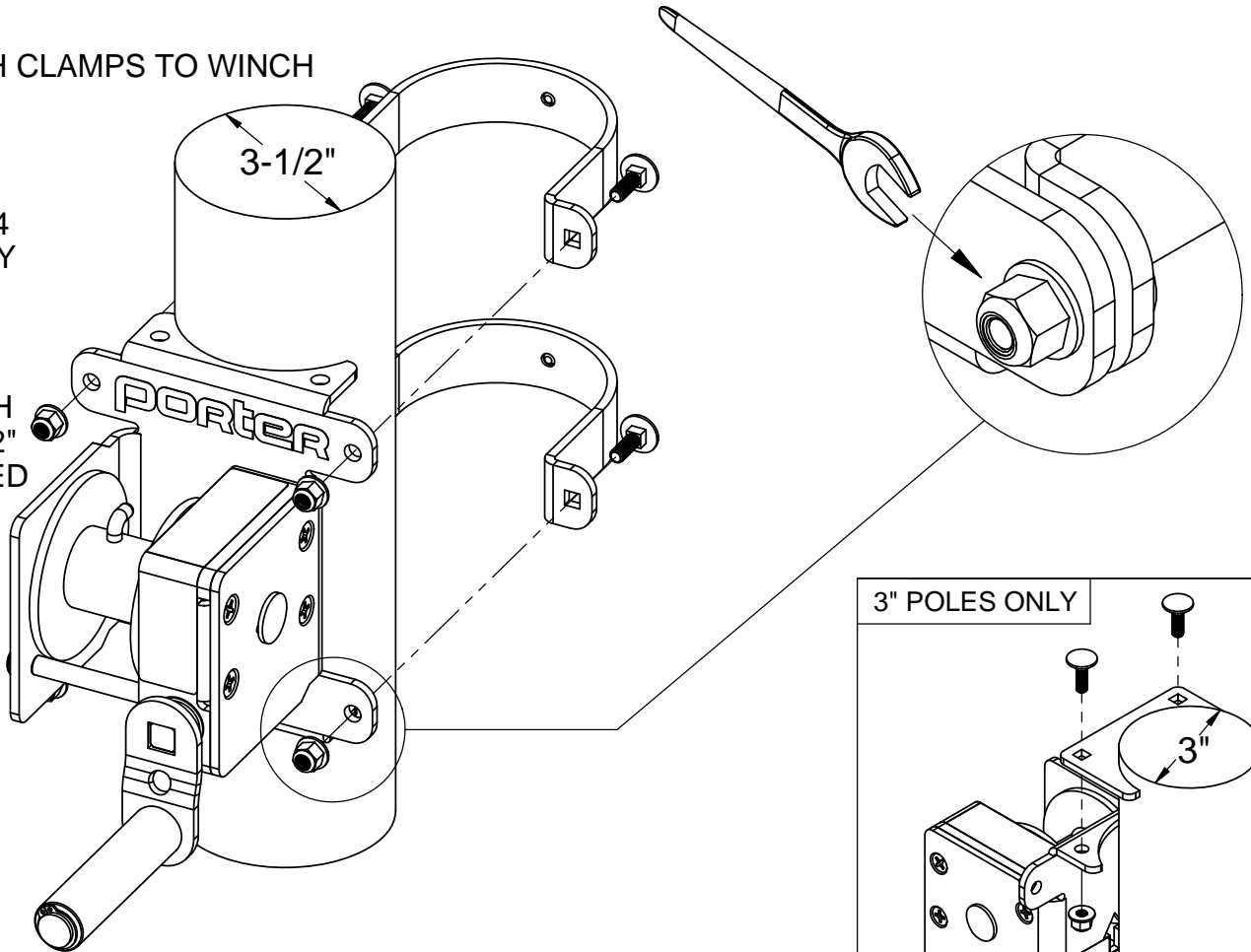


### **STEP 1: ATTACH CLAMPS TO WINCH**

TIGHTEN ALL 4  
BOLTS EVENLY

TOP OF WINCH  
SHOULD BE 42"  
FROM FINISHED  
FLOOR



### **STEP 2: TIGHTEN 2 SET SCREWS**

