

High Jump Landing Systems

ESSENTIALS

640A

S - SERIES

64117CXXYY

64217CXXYY

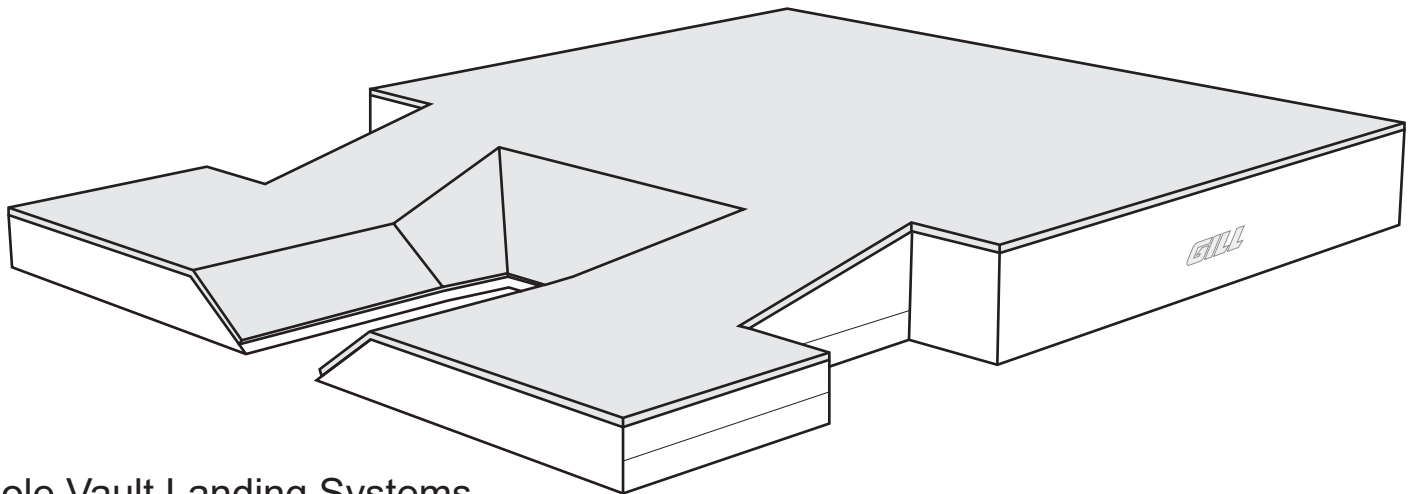
G - SERIES

64617CXXYY

64417CXXYY

AGX

64817CXXYY



Pole Vault Landing Systems

ESSENTIALS

653

S - SERIES

65417CXXYY

65817CXXYY

G - SERIES

66217CXXYY

66317CXXYY

AGX

66817CXXYY

NOTICE

Refer to NCAA, NFHS, USATF, or World Athletics for specific positioning details.

Thank you for choosing a Gill Landing System for your track program. By reading and becoming familiar with this manual, following the suggestions and guidelines, and maintaining your Gill landing system, you can provide a safe environment for your pole vault and high jump athletes.

This manual serves as a helpful source of information to guide you through normal use of the pole vault and high jump landing systems. If you have any questions contact Gill Athletics at (800) 637-3090 during normal business hours (8-5 CST) or email us at SALES@GILLATHLETICS.COM

Each landing system has several printed warning labels. Become familiar with all these warnings, and instruct all athletes using the landing system of the dangers of pole vaulting and high jumping.

The landing system should be kept in a secure area to prevent unsupervised or unauthorized usage, and/or vandalism. It is the responsibility of the purchaser to make sure the landing system is protected against such usage.

If your facility/site necessitates the pit to be raised off the ground— contact Gill for pit platform needs.

Pole vault landing systems are designed specifically for the pole vault. High jump landing systems are designed specifically for the high jump.

The landing system should be used for its intended purposes only!

Thank you for choosing a Gill Athletics landing system for your track and field facility!



UNPACKING & TRANSPORTING

All Gill pole vault and high jump landing systems come with specific components. Upon arrival, please check to be sure that you have obtained the correct components for your model. Please review the spec sheet on your model, as well as the packing list of your landing system for correctness upon arrival.

For more efficient shipping and travel purposes, many of our landing systems are vacuum-packed. If your mats look smaller than their listed dimensions, take caution, and unpack in an open area.

- **DO NOT use a knife or sharp object to cut through packing material, as you might accidentally cut the product.**
- **Unpack your vacuum-packed mats within seven days. Failure to do so may result in permanent damage.**
- **WARNING: Vacuum-packed pieces have been severely reduced in size and should not be opened in a confined space.**

Each section of your landing system is equipped with four or more handles to aid in lifting and moving.

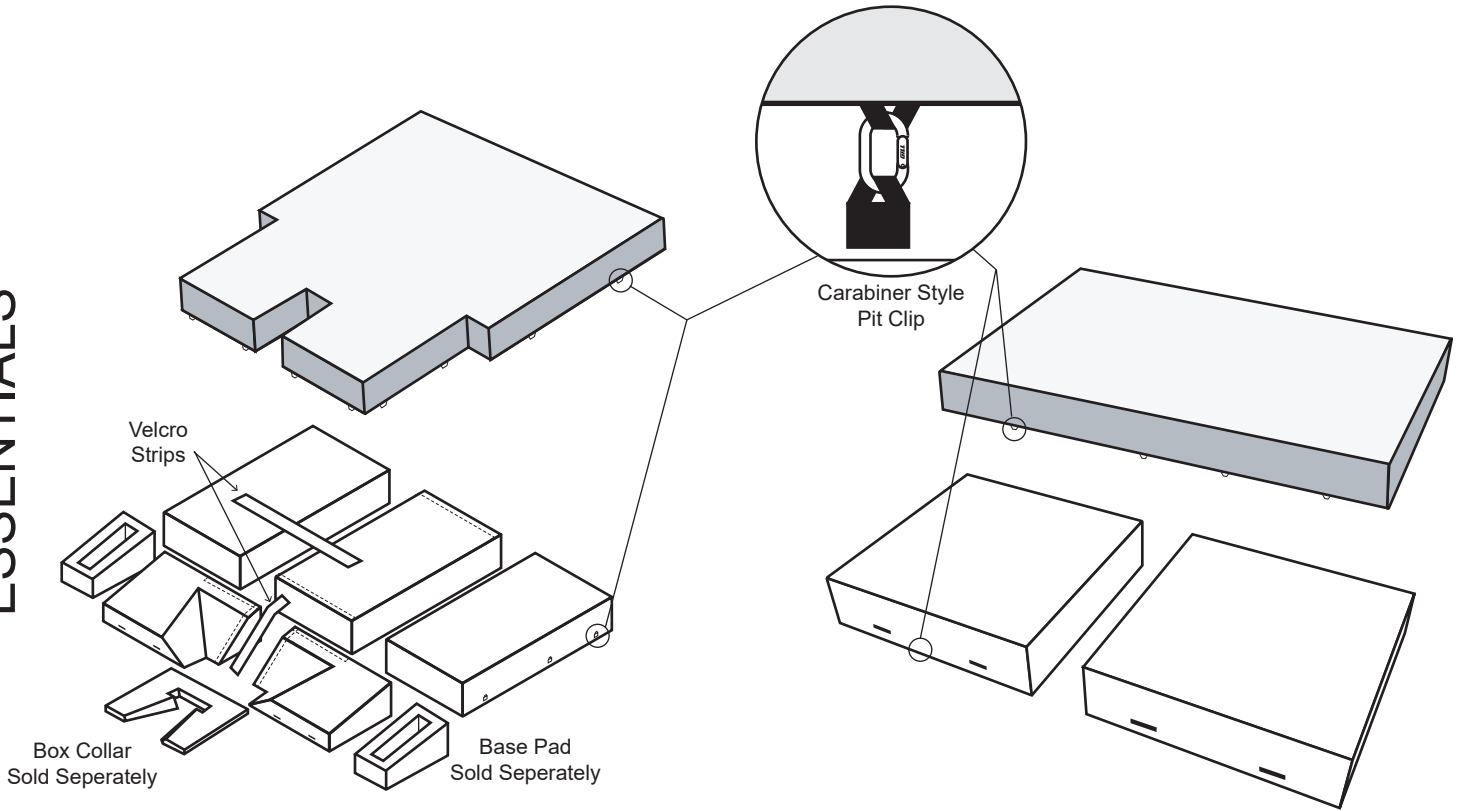
Because of the weight of each piece of the landing system, at least two capable people should work together to lift and move them.

DO NOT DRAG THE SECTIONS.



Pole Vault / High Jump Landing Systems

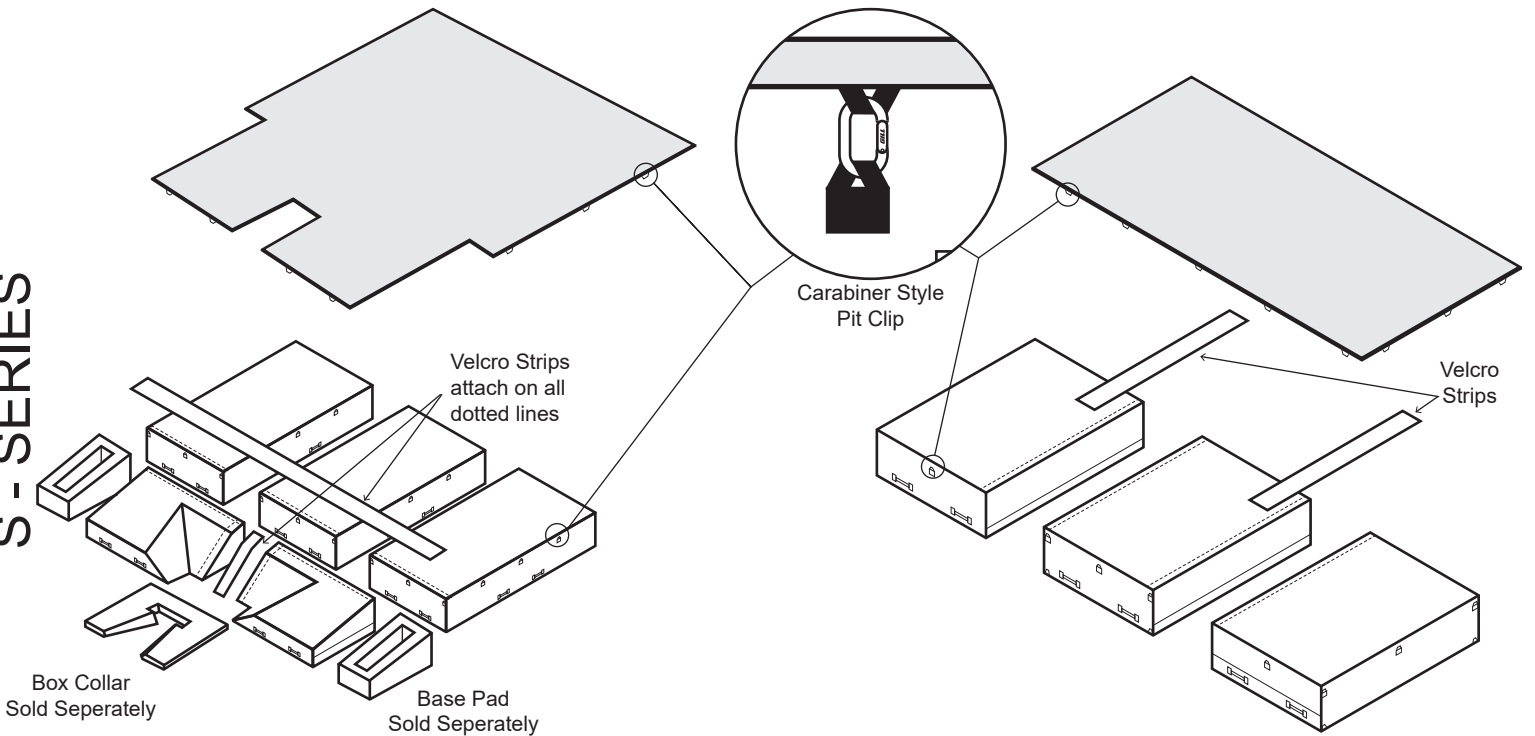
ESSENTIALS



Pole Vault Model Number
ESSENTIALS - 653

High Jump Model Number
ESSENTIALS - 640A

S - SERIES

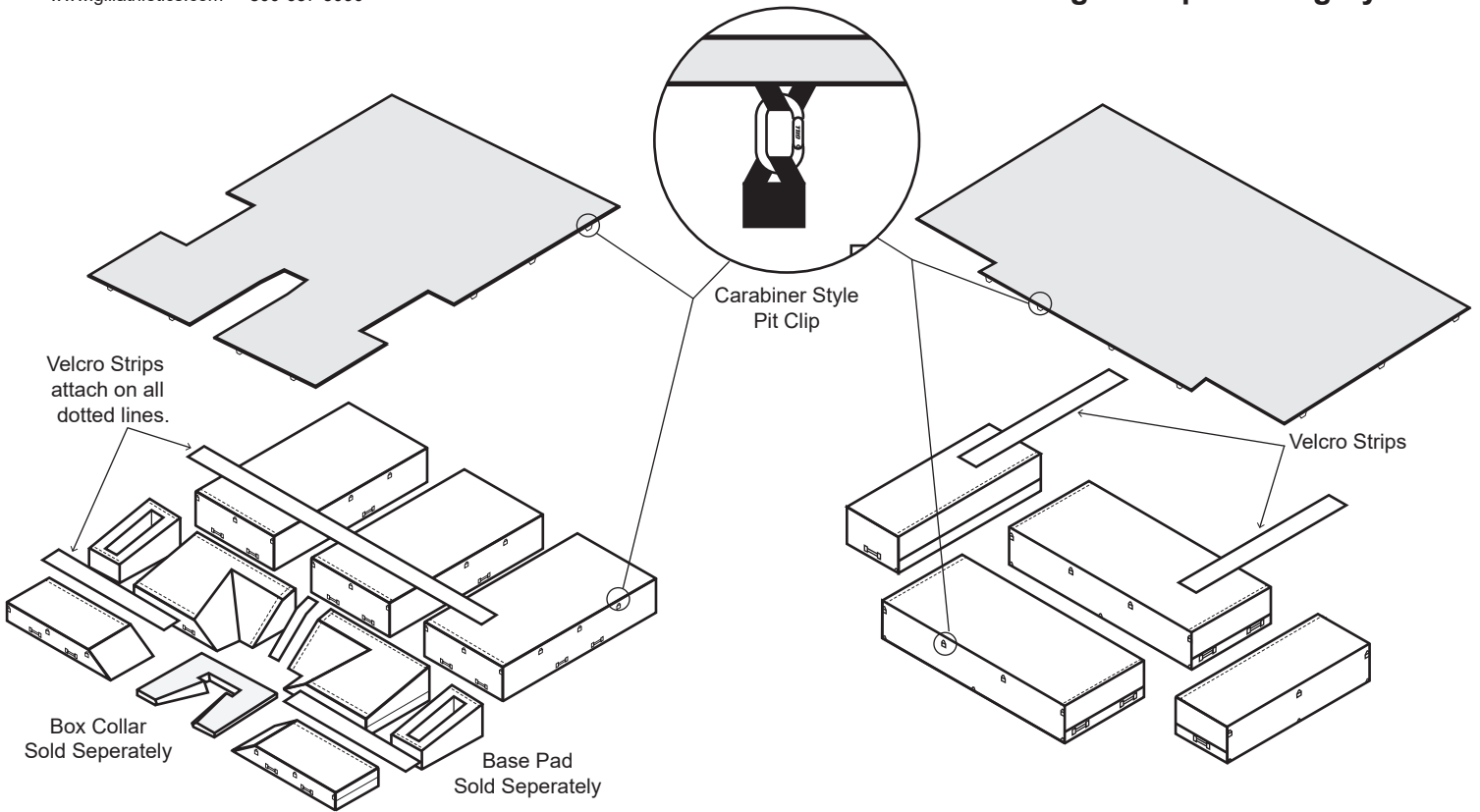


Pole Vault Model Numbers
S1 - 65417CXXYY
S4 - 65817CXXYY

High Jump Model Numbers
S1 - 6417CXXYY
S4 - 64217CXXYY

Pole Vault / High Jump Landing Systems

G - SERIES



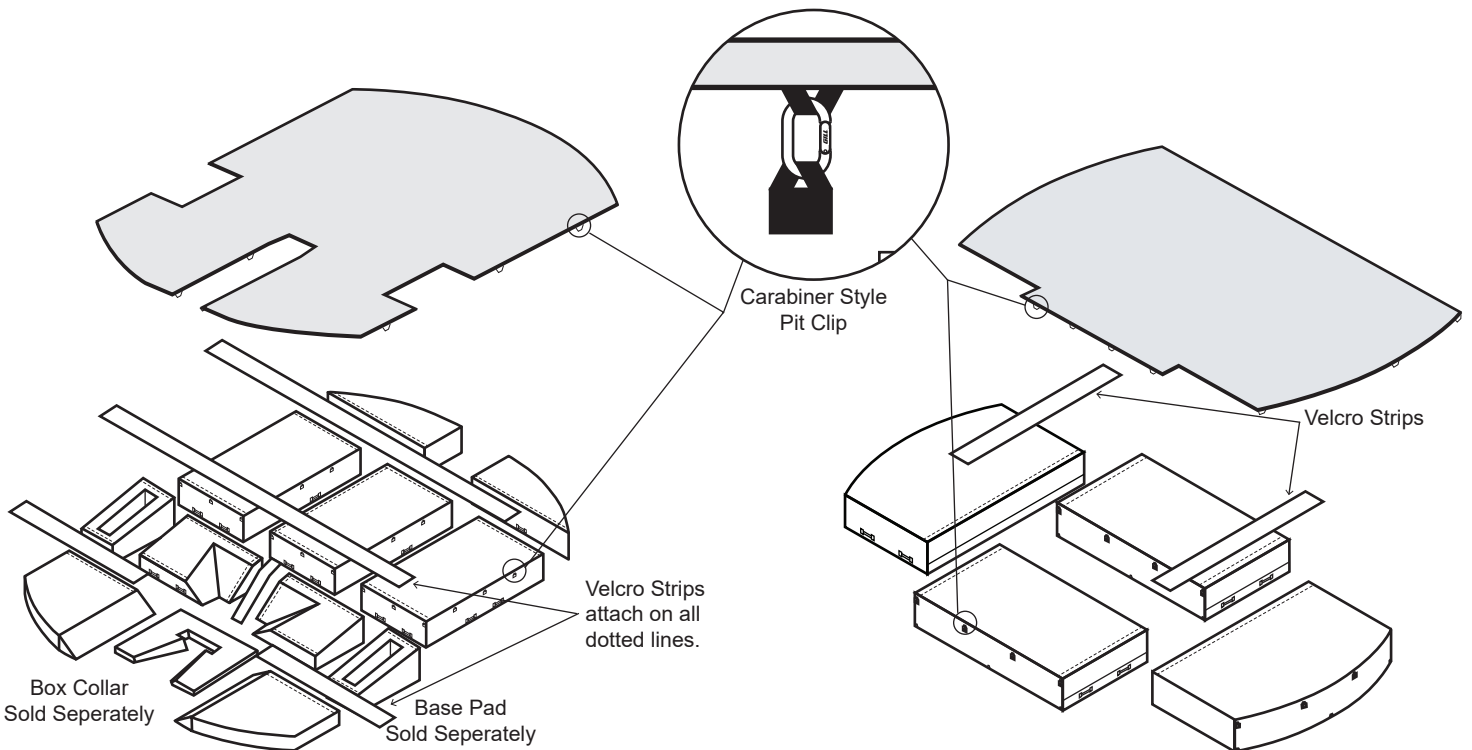
Pole Vault Model Numbers

G1 - 66217CXXYY
G4 - 66317CXXYY

High Jump Model Numbers

G1 - 64617CXXYY
S4 - 64417CXXYY

AGX



Pole Vault Model Number

AGX M4 - 66817CXXYY

High Jump Model Number

AGX M4 - 64817CXXYY

POLE VAULT LANDING SYSTEM ASSEMBLY

See the spec sheet for the layout of your specific model

1. After preparing your landing system area, place the box collar flush with the perimeter of the vault box.
2. Position the front tri-slant sections so that their joint is aligned with the center of the vault box. The tri-slant sections must be no further than 3 inches from the back of the vault box.
3. Place the front extensions (if applicable) in front of the tri-slant sections. The slants should face towards the runway and align with the slants on the tri-slant sections.
4. Place a base section centered behind the two tri-slant sections. Place the two remaining base sections to either side.
5. For **S-Series**, **G-Series**, and **AGX** Systems, use the velcro strips and pit clips to make sure that all sections of the landing system are secured together before proceeding.
For **Essentials** Systems, use velcro and skirted top cover to keep together before proceeding.
6. Place the top pad on the assembled landing system and secure it in place with the provided karabiners.

It is critical that all sections are secured and all the top pad connections are snapped in place before athletes use the landing system.

HIGH JUMP LANDING SYSTEM ASSEMBLY

See the spec sheet for the layout of your specific model

1. Prepare the landing system area.
2. Place the middle base section(s).
3. Place the outer base sections to either side of the base section(s). There should be a GILL logo facing out on all four sides if the sections are laid out correctly.
4. For **S-Series**, **G-Series**, and **AGX** Systems, use the velcro strips and pit clips to make sure that all of the sections of the landing system are secured together before proceeding.
For **Essentials** Systems, use skirted top cover to secure together before proceeding.
5. Place the top pad on the assembled landing system and secure it in place with the provided karabiners.

It is critical that all sections are secured and all the top pad connections are snapped in place before athletes use the landing system.

ACCESSORIES - BASE PADS

POLE VAULT BASE PADS



STANDARD BASE PAD
61517CXX



ANGLED BASE PAD
61617CXX



**SLOPED MANUAL AGX
BASE PAD**
61817CXX



**SLOPED AGX M4
BASE PAD**
61717CXX

HIGH JUMP BASE PADS



STANDARD BASE PAD
707



M4 HIGH JUMP BASE PAD
708CXX

Base pads are sold separately from pole vault landing systems, and are required by IAAF, NCAA, USATF, AAU, and NFHS.

With the standards in place, position base pads to cover the standard base. The Gill logo should face outwards. If you own the 715V angled base pads, the taller end should be towards the back with the shorter side towards the runway. With these, the Gill logo also faces outwards, and the 'C' shaped piece sits on the inside. Attach the Velcro flap on the pits to the Velcro on the base pad.

*Pole vault box collars are required by the NCAA and NFHS. It is easiest to position them before placing the rest of the landing system. This vault box collar should be positioned to cover all the hard surfaces between the vault box and the front tri-slant pieces.

NOTICE

Refer to NCAA, NFHS, USATF, or World Athletics for specific positioning details.



All materials used within the landing system have a limited anticipated lifetime and should be examined on a regular basis.

VINYL OR MESH COMPONENTS

Inspect weather cover, top pad, and mat covers for:

- Missing karabiners, Velcro, handles, or zippers
- Holes, rips, or tears in solid or mesh fabrics

Pit Repair Kits are available in blue (699B) or red (699R) to fix minor holes or tears in your landing system.



FOAM COMPONENTS

Foam components should be checked at the start of every track season, and observed throughout the year, then inspected again at the end of the season. If any foam components deform, come unglued, or shift call Gill Athletics for customer support.

Water spots crushing the foam can disfigure it permanently. Using a simple device like our watershed insert (#709) can help. This insert fits under your weather cover and helps prevent water from pooling on your landing system.



After use, if the landing system is going to be left outside, cover with the weather cover immediately. Snap karabiners to loops located around the bottom perimeter of the landing system. This weather cover will protect your landing system against most weather, however, extremely strong winds may allow water to enter the mats.

- Landing systems should be kept in a cool, dry, well ventilated building.
- When storing mats outside for any amount of time, a weather cover is necessary to help prevent water and weather damage.
- All landing system materials are flammable. Take all precautions associated with storing flammable materials.
- It is best if mats rest on their side and are not stacked, however, many facilities don't have the space. Therefore, we recommend that when stacked, mats should be rotated periodically to prevent deformation. Also, stack the mats uniformly to equally distribute the weight to prevent low spots in the foam.
- To prevent damage, the storage facility should be periodically checked for and protected against rodent infestation. Interior cushioning foam and vinyl covers can be damaged by mice and other rodents could potentially render the mats unsafe.