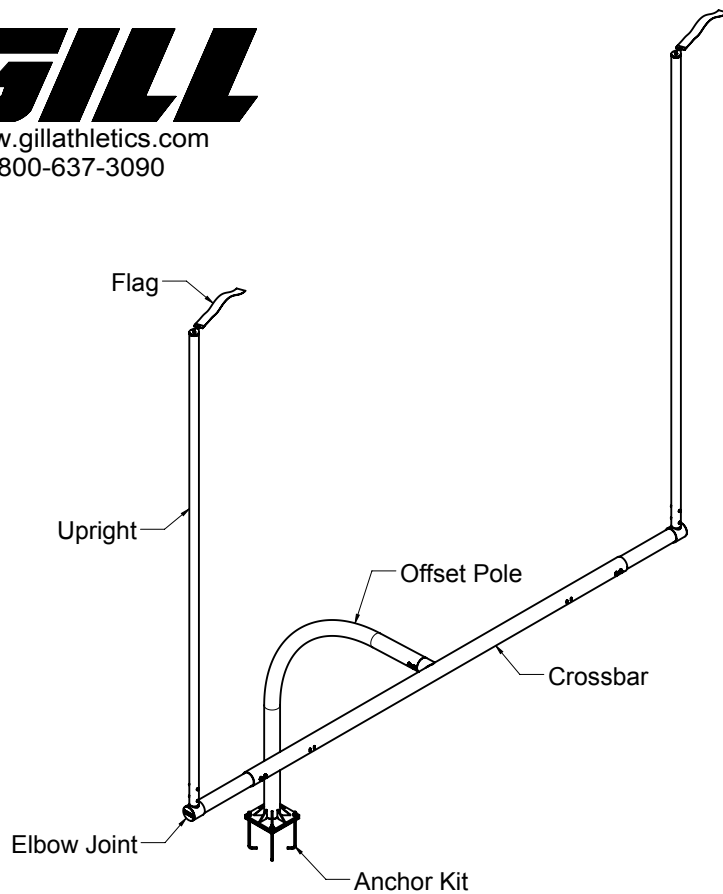




www.gillathletics.com  
800-637-3090

# ALUMINUM FOOTBALL GOALS EXPANDABLE CROSSBAR PLATE MOUNTED INSTRUCTIONS



## WARNING

Football goals are shipped unassembled.

Read all instructions thoroughly before attempting to assemble this equipment.

Assembly of this equipment must be done by physically capable adults only. All installations should be conducted by experienced contractors and in accord with all applicable codes, laws and regulations. Suggested instructions herein are illustrative only and should be adapted to suit local requirements. Gill Athletics is not responsible for the manner in which this product is installed.

## WARNING

Read all warnings thoroughly before using this equipment. Failure to comply with the following instructions and warnings may result in serious injuries and/or property damage.

- DO NOT allow any individuals to climb onto these goal posts.
- Keep organic material away from the base of the posts. Grass, litter, etc. could cause corrosion and/or deterioration.
- Regularly check the entire structure for signs of corrosion and repaint with an exterior grade, rust-resistant enamel.
- Check structure before each use for loose or missing hardware, and repair before use.

The owner of this equipment is responsible to ensure that all individuals follow these safety and operating instructions to avoid injuries or property damage. Proper use and supervision of this equipment is essential to help reduce the possibility of accidents or injuries.

These football goal posts are provided with a factory-applied powder-coated finish. Great care must be taken during the installation of these goal posts to protect the finish from damage. An aerosol can of touch-up paint is provided with each pair of football goal posts. Check entire goal post for scratches that may have occurred during shipping or installation. Use the touch-up paint to repaint these scratches.

**⚠ WARNING:** This product can expose you to Vinyl Chloride, which is known to the State of California to cause cancer. For more information go to [www.p65warnings.ca.gov](http://www.p65warnings.ca.gov).



www.gillathletics.com  
800-637-3090

## ALUMINUM FOOTBALL GOAL INSTRUCTIONS MOUNTING PLATE INSTALLATION

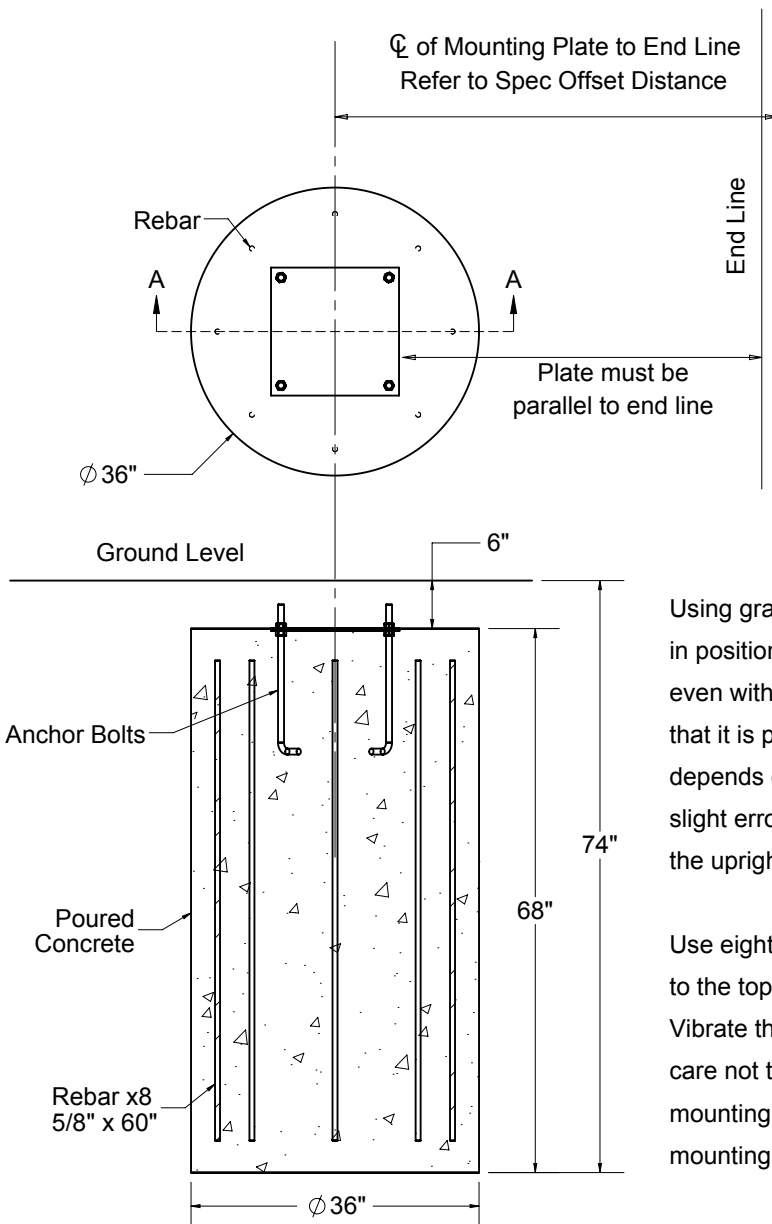
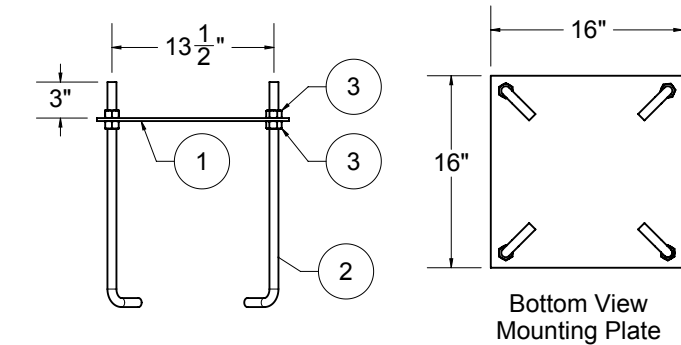
	PART #	DESCRIPTION	QTY
1	M2880	FB goal Mounting Plate, Anchor Pattern	1
2	M2765	3/4" SS Anchor Bolt, 18" L-Hook	4
3	M2776	3/4"-10 SS HEX NUT	8

Read all instructions before installing.

Local soil conditions will determine the actual size of concrete foundations. The following instructions are recommendations only, and should be considered minimums.

Locate the position of the goal post according to plans and specs. Excavate a hole which is at least 36" across and 74" deep. Set a form for a concrete foundation. A 36" diameter cardboard tube or corrugated metal pipe is recommended. The top of the form should be 6" below finished grade (for artificial infill turf fields, use top of infill material as finished grade elevation). Locate the formwork so that the mounting plate and anchors will be centered within the form.

Assemble the mounting plate and anchors as shown. Set the height and position of the anchor to the plate by clamping the plate between two nuts.



Using grade stakes and lumber, secure the mounting plate and anchors in position so that it is centered within the form and the top of the plate is even with the top of the forms, 6" below ground level. Orient the plate so that it is parallel with the goal line. Final adjustment of the goal post depends on precise installation of the mounting plate and anchors (a slight error at ground level translates to a much larger error at the top of the uprights).

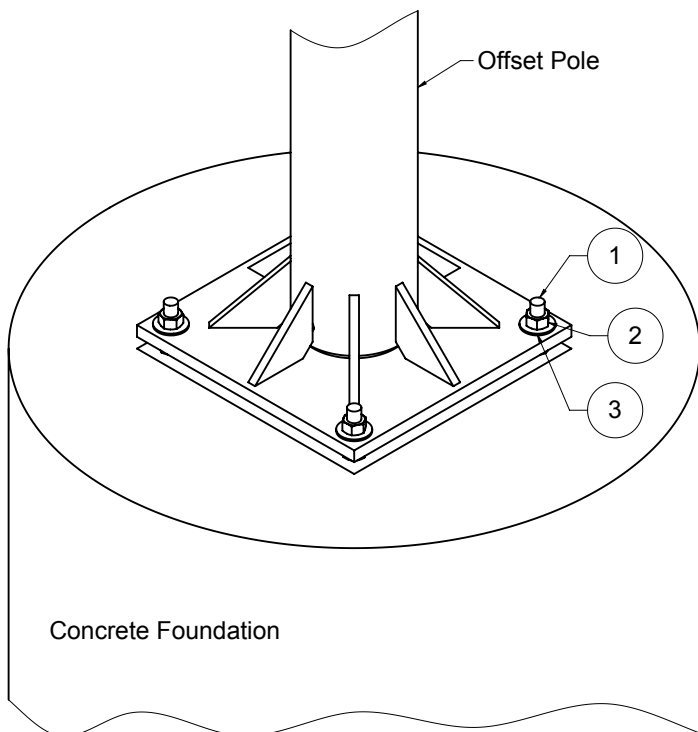
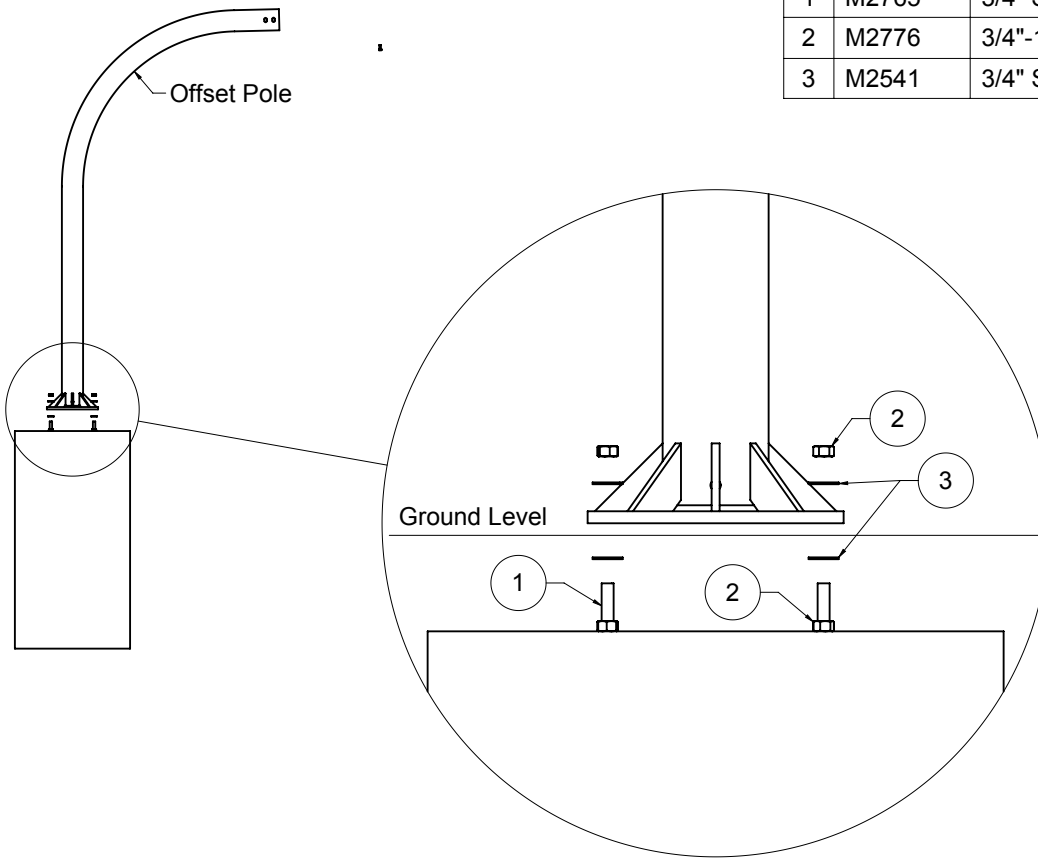
Use eight pieces of 5/8" x 60" rebar to reinforce the pier. Pour concrete to the top of the form being careful not to move the mounting plate. Vibrate the concrete to insure there are no voids in the foundation. Take care not to get any concrete on the threads of the anchors above the mounting plate. The concrete must be allowed to fully cure before mounting the offset pole to the anchors.



www.gillathletics.com  
800-637-3090

## ALUMINUM FOOTBALL GOAL INSTRUCTIONS PLATE MOUNTED OFFSET POLE INSTALLATION

	PART #	DESCRIPTION	QTY
1	M2765	3/4" SS Anchor Bolt, 18" L-Hook	4
2	M2776	3/4"-10 SS HEX NUT	8
3	M2541	3/4" SS Flat Washer	8



1. **After the concrete foundation has fully cured**, bolt the offset pole to the foundations using 3/4"-10 SS hex nuts (M2776) and washers (M2541) as shown.

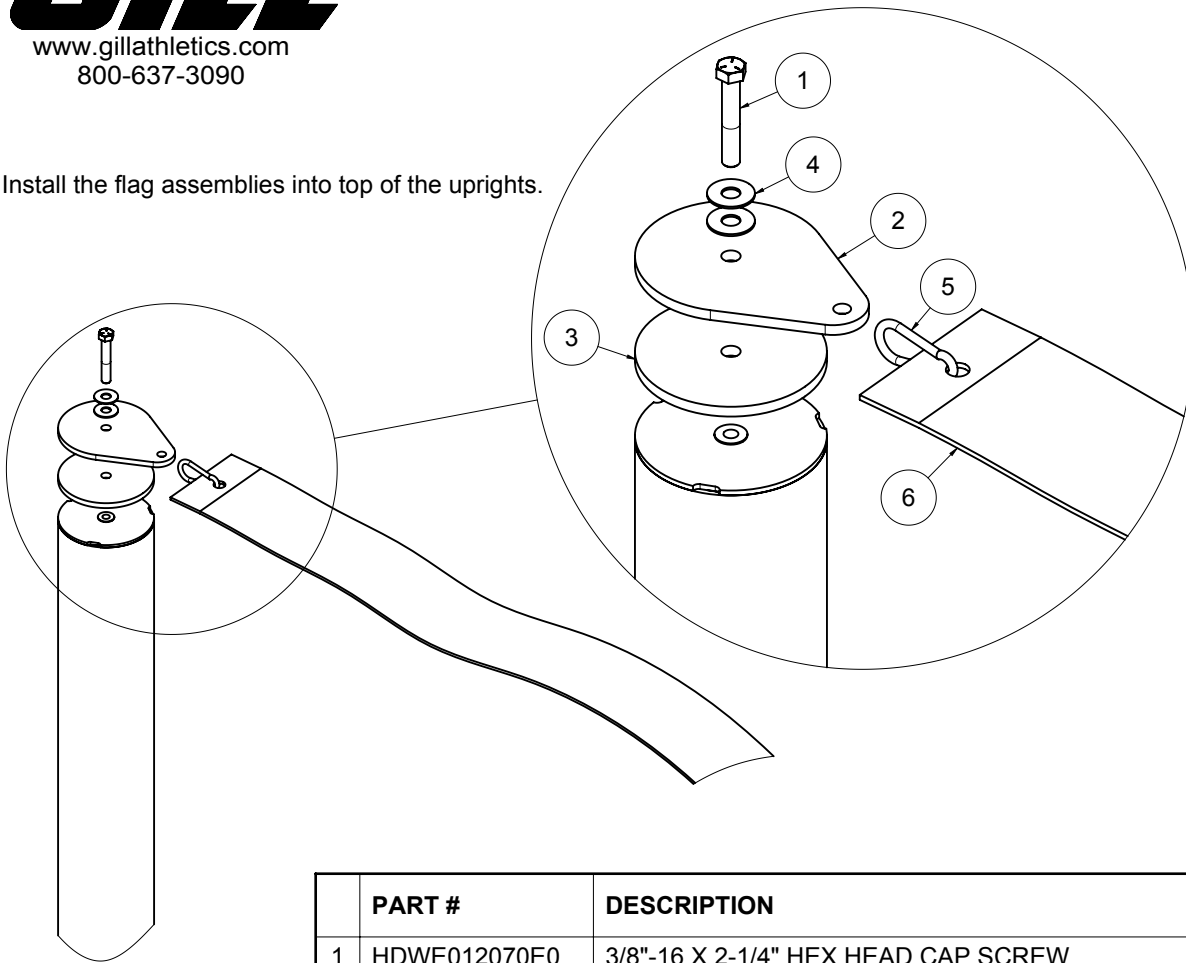
2. Using a 4' level, check to see if the offset pole is plumb. If it is, tighten all the nuts securely at this time. If adjustment is required, loosen the appropriate top nuts a small amount (a turn at a time) and tighten the bottom nuts up against the bottom of the offset pole plate. Recheck the offset pole for plumb. Continue this adjustment process until the offset pole is plumb. Securely tighten all nuts.



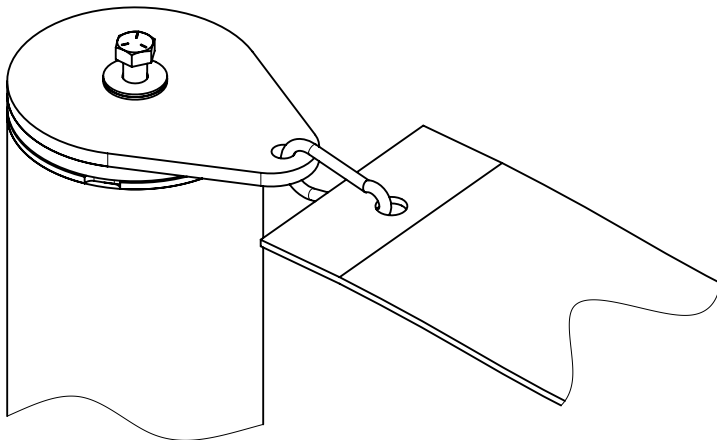
www.gillathletics.com  
800-637-3090

## ALUMINUM FOOTBALL GOAL INSTRUCTIONS FLAG INSTALLATION

3. Install the flag assemblies into top of the uprights.



	PART #	DESCRIPTION	QTY / UPRT
1	HDWE012070E0	3/8"-16 X 2-1/4" HEX HEAD CAP SCREW	1
2	F303201	Pivot Plate	1
3	F303202	Spacer Plate	1
4	HDWE55043000	NYLON WASHER- 3/8" ID X1" OD X.030 THICK	2
5	M2224	1/4 SNAP HOOK PEAR SHAPE	1
6	F380F	Football Goal Flag	1



Install the flags onto the tops of the uprights BEFORE installing the uprights onto the crossbar.

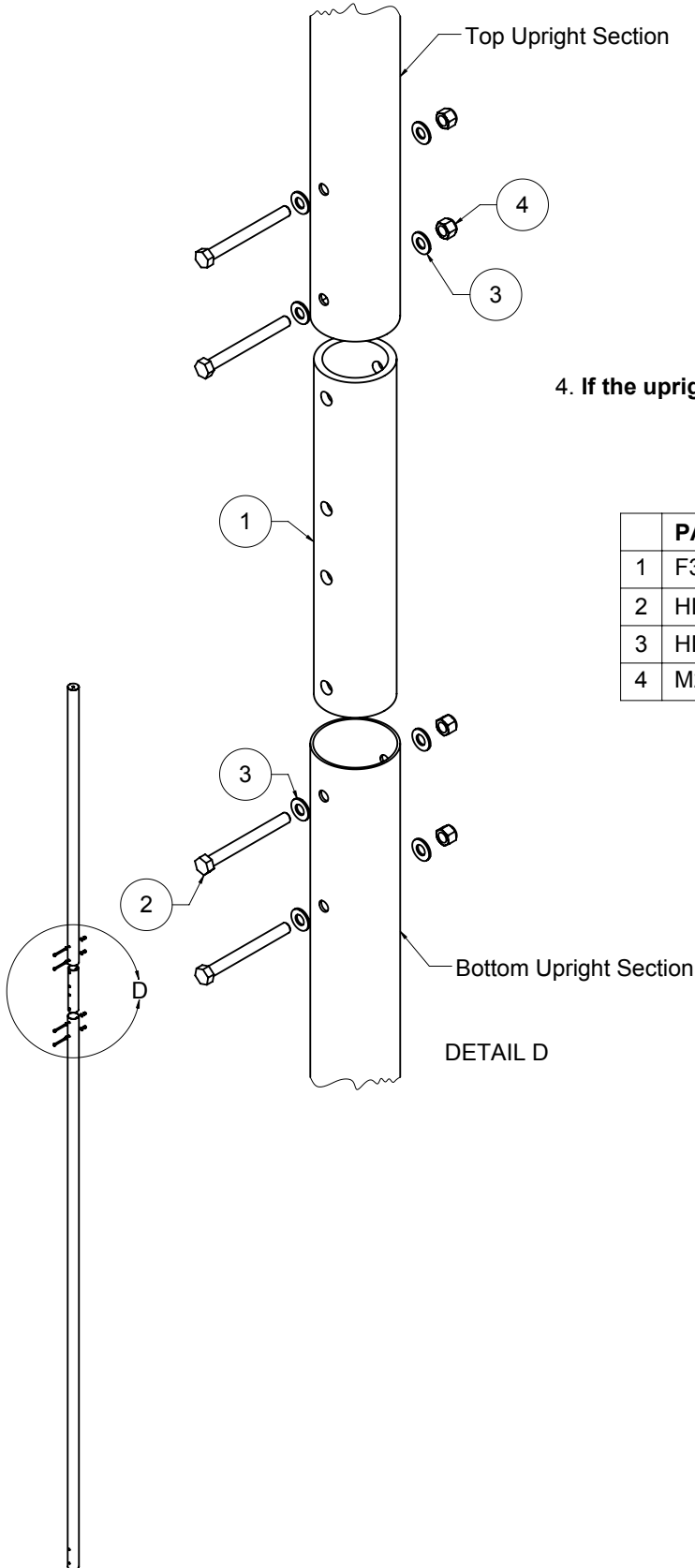
Attach the spacer plate and pivot plate to the top of the upright with bolt and washers. Make sure the bolt is snug. The bolt does not clamp down on the pivot plate. The pivot plate and spacer plate should freely spin.

Attach the karabiner to the flag and turn the karabiner around. Now attach the karabiner to the pivot plate.



www.gillathletics.com  
800-637-3090

# ALUMINUM FOOTBALL GOAL INSTRUCTIONS UPRIGHT ASSEMBLY



4. If the uprights are spliced, assemble the uprights with the splice tubes.

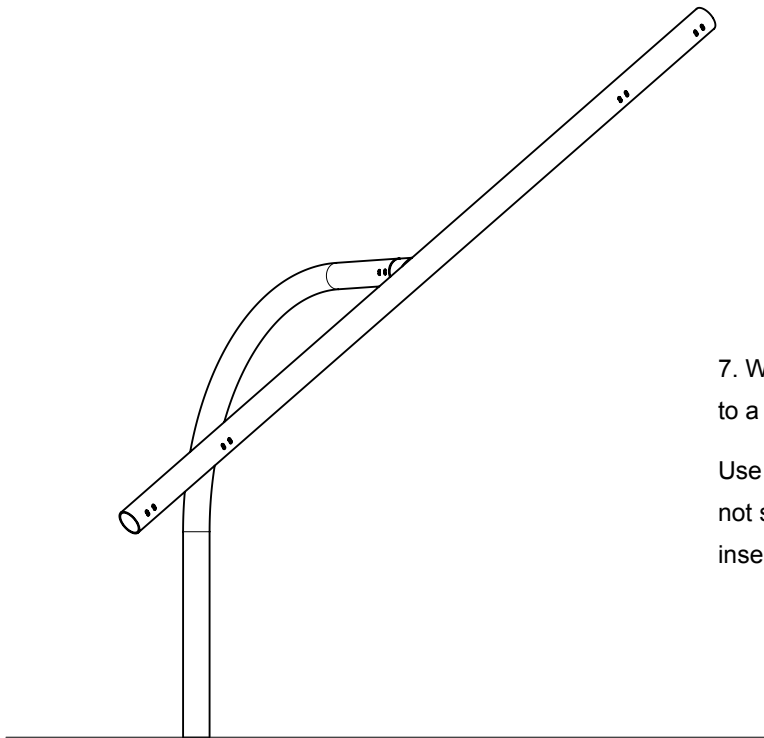
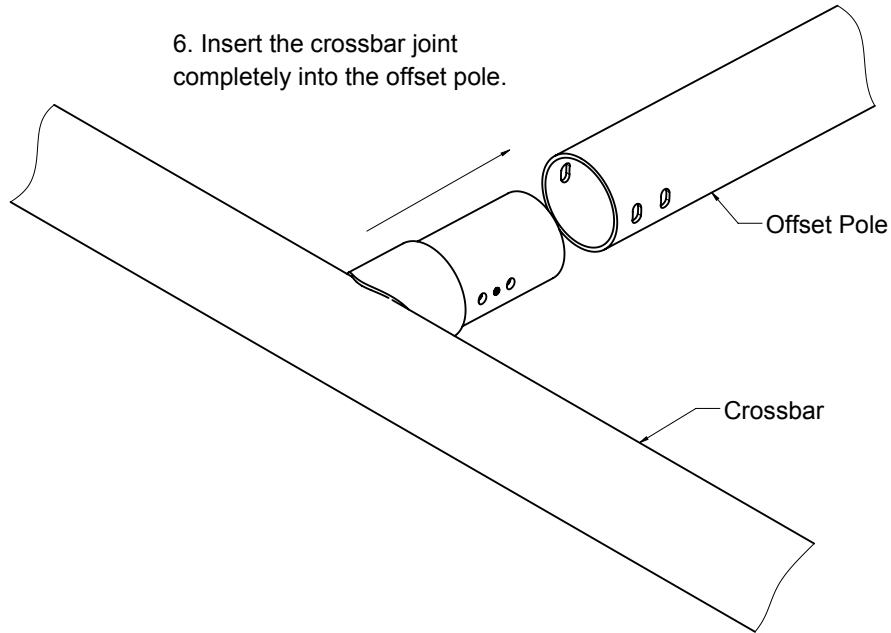
	PART #	DESCRIPTION	QTY
1	F30036	Upright Splice Tube	1
2	HDWE011810E0	Hex Bolt 1/2-13 x 5 GR 5	4
3	HDWE050050E0	1/2" Flatwasher	8
4	M2232	1/2"-13 Nylock Hex Nut	4



www.gillathletics.com  
800-637-3090

## ALUMINUM FOOTBALL GOAL INSTRUCTIONS CROSSBAR ASSEMBLY

6. Insert the crossbar joint completely into the offset pole.



7. With caution tilt the crossbar to bring one end down to a few feet above ground level.

Use extreme caution while performing these steps. Do not stand under the crossbar and watch the crossbar insert to make sure the joint is not slipping out.



www.gillathletics.com  
800-637-3090

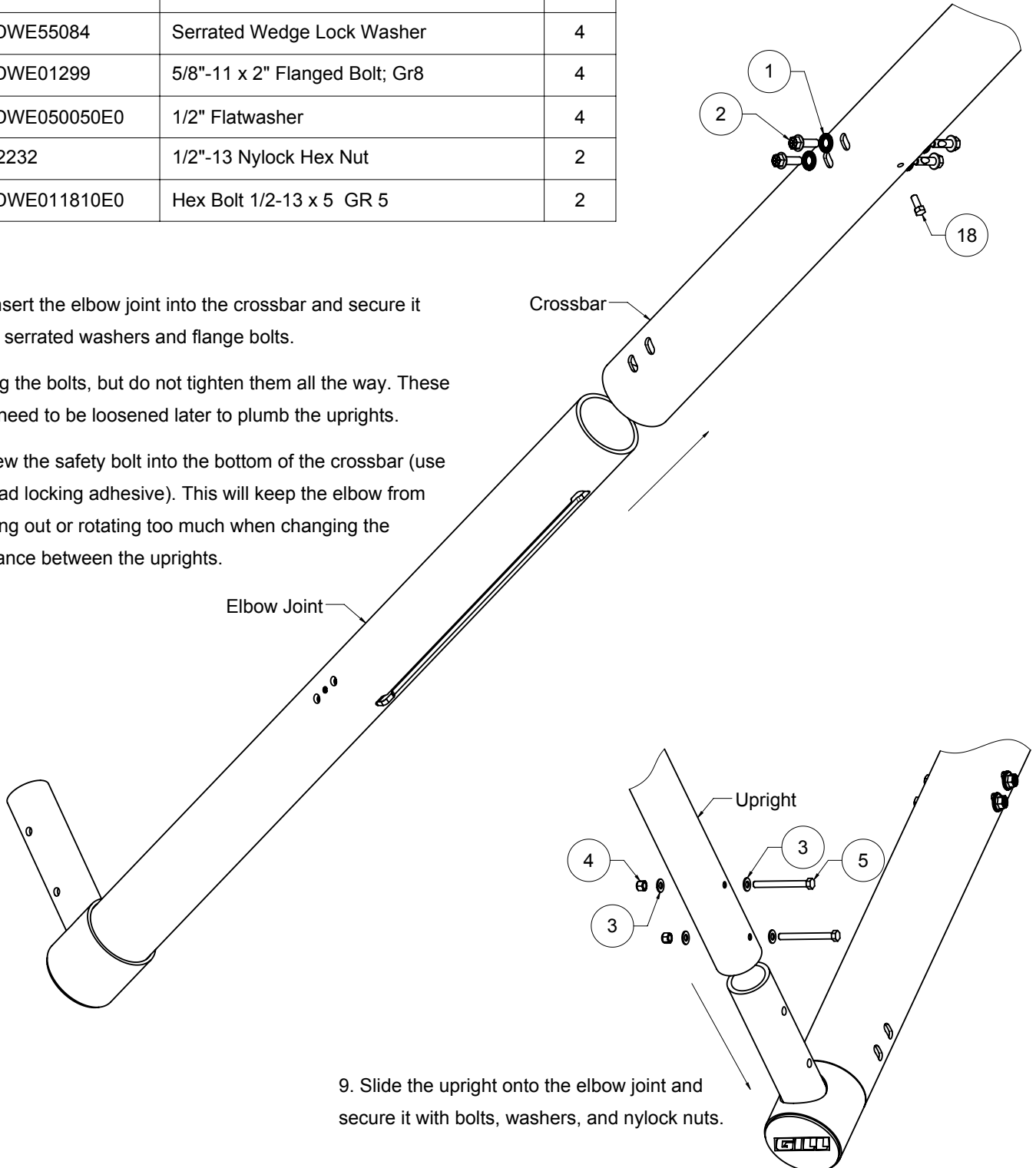
## ALUMINUM FOOTBALL GOAL INSTRUCTIONS CROSSBAR ASSEMBLY

	PART #	DESCRIPTION	QTY.
1	HDWE011540E0	Hex Bolt 1/2-13 x 1.25 Zinc Plated GR 5	1
2	HDWE55084	Serrated Wedge Lock Washer	4
3	HDWE01299	5/8"-11 x 2" Flanged Bolt; Gr8	4
4	HDWE050050E0	1/2" Flatwasher	4
5	M2232	1/2"-13 Nylock Hex Nut	2
6	HDWE011810E0	Hex Bolt 1/2-13 x 5 GR 5	2

8. Insert the elbow joint into the crossbar and secure it with serrated washers and flange bolts.

Snug the bolts, but do not tighten them all the way. These will need to be loosened later to plumb the uprights.

Screw the safety bolt into the bottom of the crossbar (use thread locking adhesive). This will keep the elbow from sliding out or rotating too much when changing the distance between the uprights.

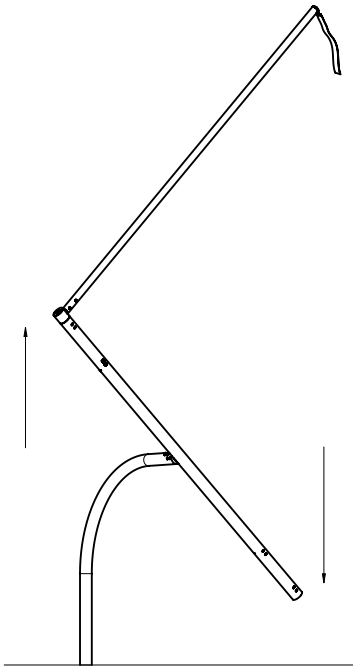


9. Slide the upright onto the elbow joint and secure it with bolts, washers, and nylock nuts.



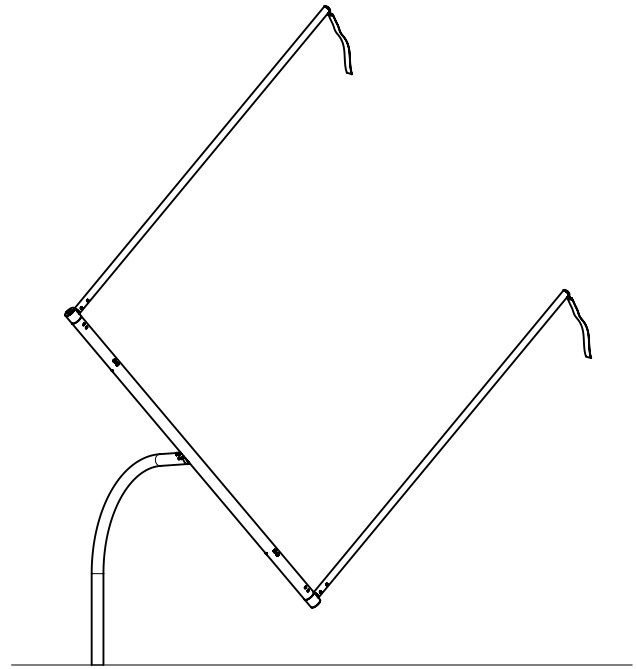
www.gillathletics.com  
800-637-3090

## ALUMINUM FOOTBALL GOAL INSTRUCTIONS CROSSBAR ASSEMBLY



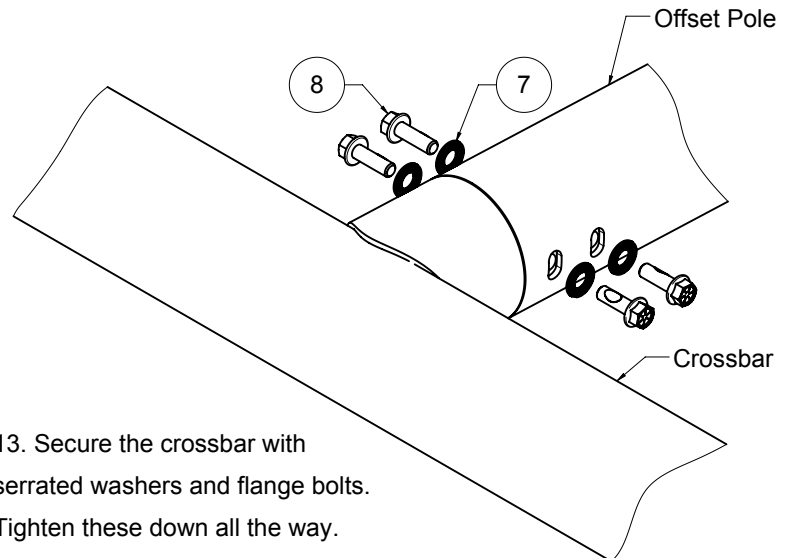
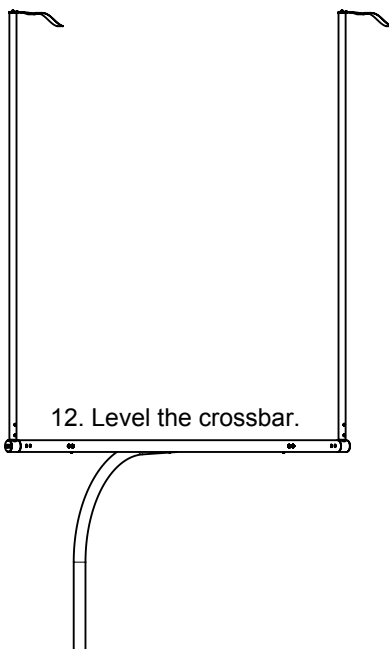
10. With caution tilt the crossbar to bring the other end down to a few feet above ground level.

Use extreme caution while performing these steps. Do not stand under the crossbar and watch the crossbar insert to make sure the joint is not slipping out.



11. Install the second elbow joint and upright the same way as the first one.

	PART #	DESCRIPTION	QTY
1	HDWE01299	5/8"-11 x 2" Flanged Bolt; Gr8	4
2	HDWE55084	Serrated Wedge Lock Washer	4



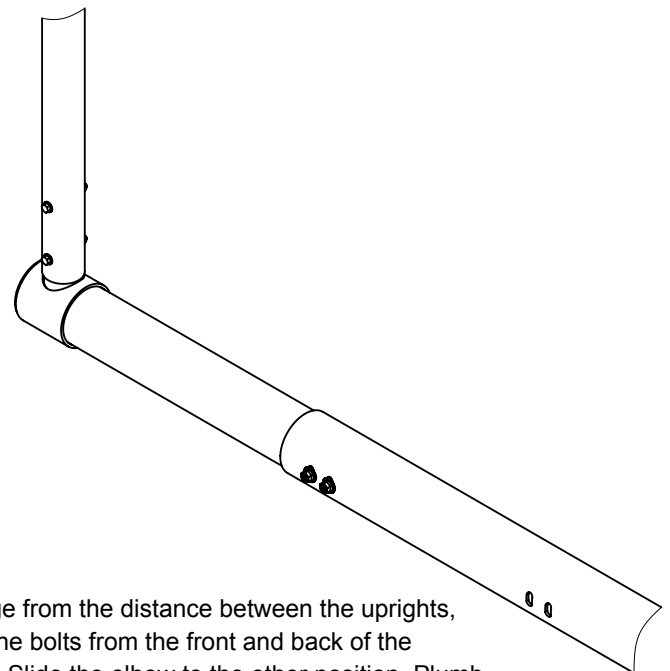
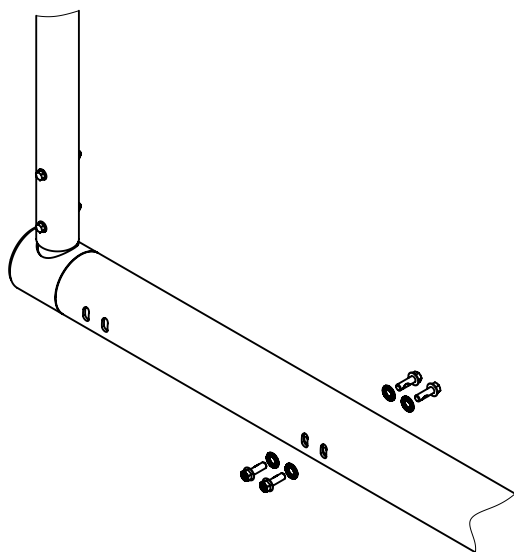
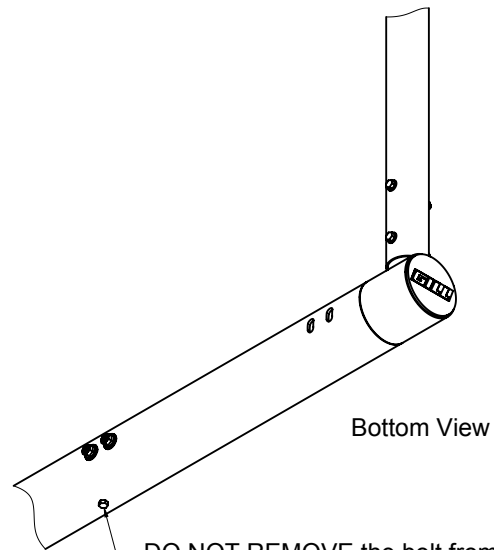
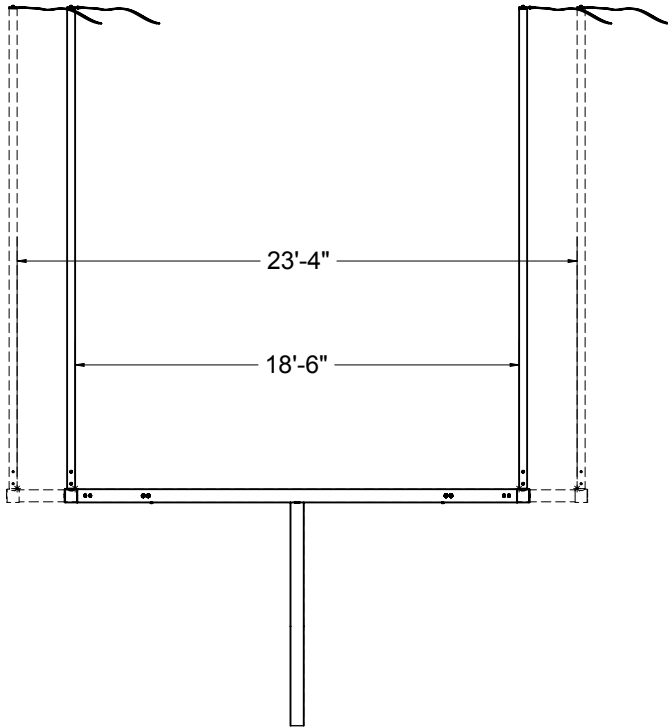
14. Plumb the uprights and tighten their bolts down all the way.





www.gillathletics.com  
800-637-3090

# ALUMINUM FOOTBALL GOAL INSTRUCTIONS EXPANDABLE GOAL OPERATION



To change from the distance between the uprights, remove the bolts from the front and back of the crossbar. Slide the elbow to the other position. Plumb the upright, and bolt it in place with the same hardware.