

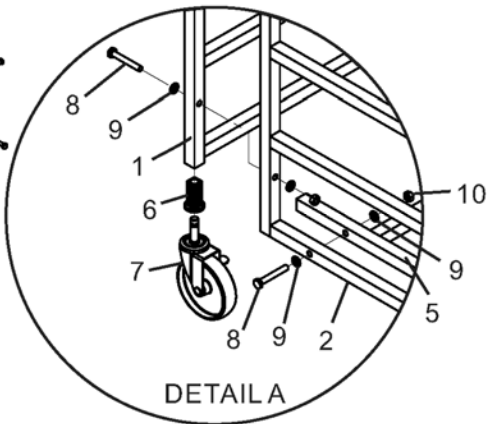
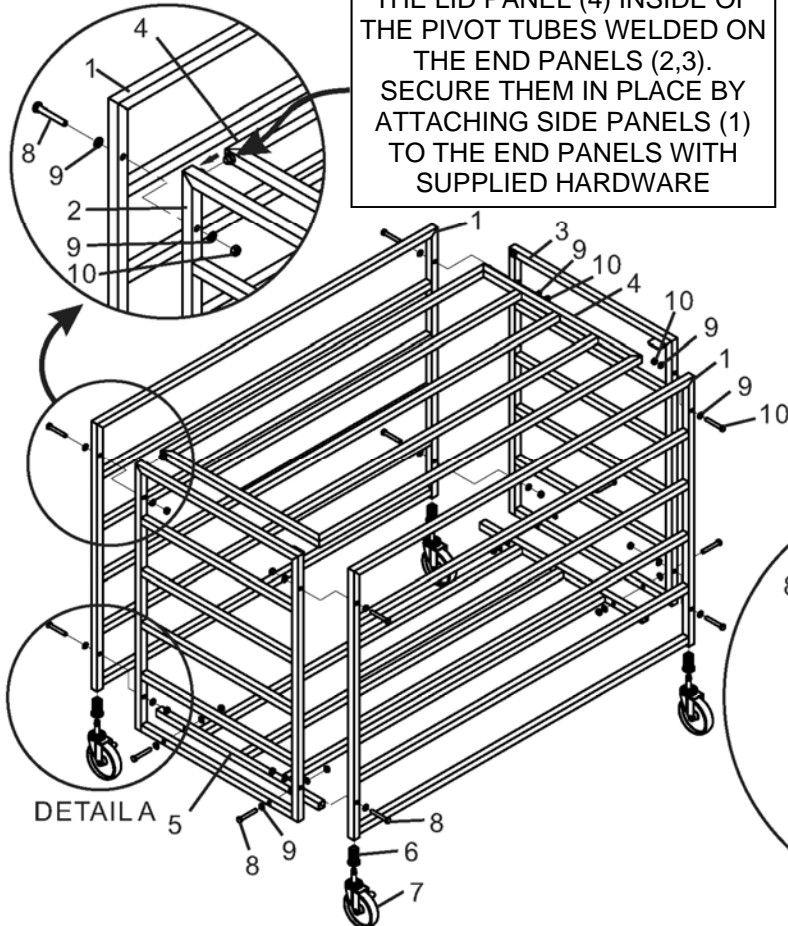


**93930—BALL CAGE; HEAVY DUTY; 30 BALLS  
INST93930**

www.porterathletic.com  
(888) 277-7778

PART #	DESCRIPTION	QTY
1	SIDE PANEL	2
2	LEFT END PANEL	1
3	RIGHT END PANEL	1
4	LID PANEL	1
5	BOTTOM PANEL	1
6	CASTER BUSHING	4
7	CASTER	4
8	M8x55mm HEX BOLT	12
9	M8 WASHER	24
10	M8 LOCK NUT	12

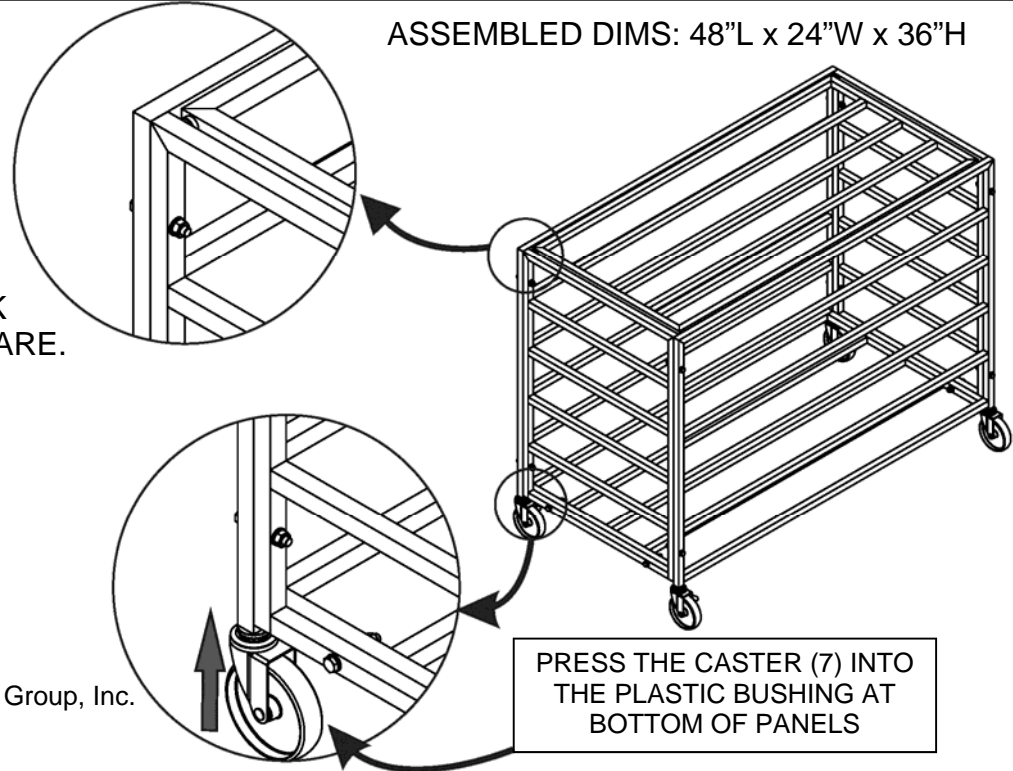
FIT THE SHAFT WELDED ON THE LID PANEL (4) INSIDE OF THE PIVOT TUBES WELDED ON THE END PANELS (2,3). SECURE THEM IN PLACE BY ATTACHING SIDE PANELS (1) TO THE END PANELS WITH SUPPLIED HARDWARE



ASSEMBLED DIMS: 48"L x 24"W x 36"H

ONCE ASSEMBLED, CHECK AND TIGHTEN ALL HARDWARE.

SOME PARTS MAY COME FACTORY-ASSEMBLED



PRESS THE CASTER (7) INTO THE PLASTIC BUSHING AT BOTTOM OF PANELS



**93930—BALL CAGE; HEAVY DUTY; 30 BALLS  
INST93930**

www.porterathletic.com  
(888) 277-7778

- REPL9393001 Wheel Kit:

PART DESCRIPTION	QTY.
CASTER	1
CASTER BUSHING	1

- REPL9393002 Hardware Kit:

PART DESCRIPTION	QTY.
M8x55mm HEX BOLT	12
M8 WASHER	24
M8 LOCK NUT	12