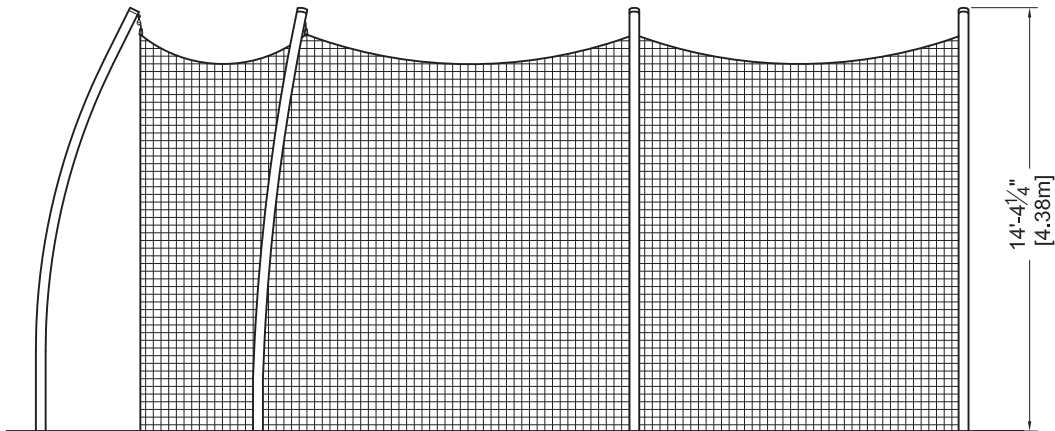
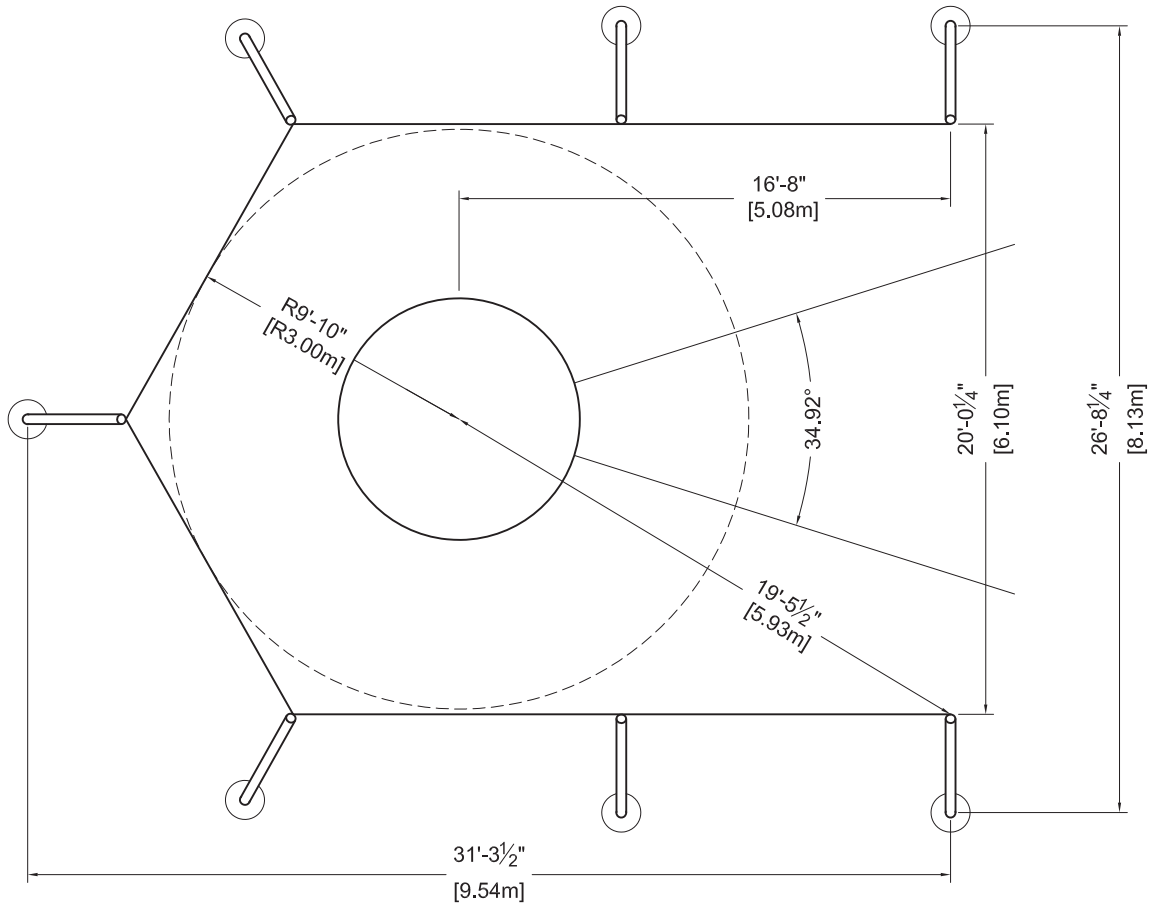




www.gillathletics.com
800-637-3090

9020 - HEAVY DUTY HIGH SCHOOL DISCUS CAGE SPECIFICATIONS



The 9020 Heavy Duty High School Discus Cage, consists of seven, 14' tall, rolled aluminum net poles with ground sleeves, a vinyl coated net support cable to reduce net sag, and a weather treated nylon net. Hinged net arms, at ground level, hold the net in place at the front of the cage. The poles are 4" OD, 0.218 wall, 6063-T6 aluminum tube. Each pole stands in a 36" deep ground sleeve. The net is 180 lb. test nylon which has been weather treated for extended service life.



www.gillathletics.com
800-637-3090

9020 - HEAVY DUTY HIGH SCHOOL DISCUS CAGE GROUND SLEEVE INSTALLATION

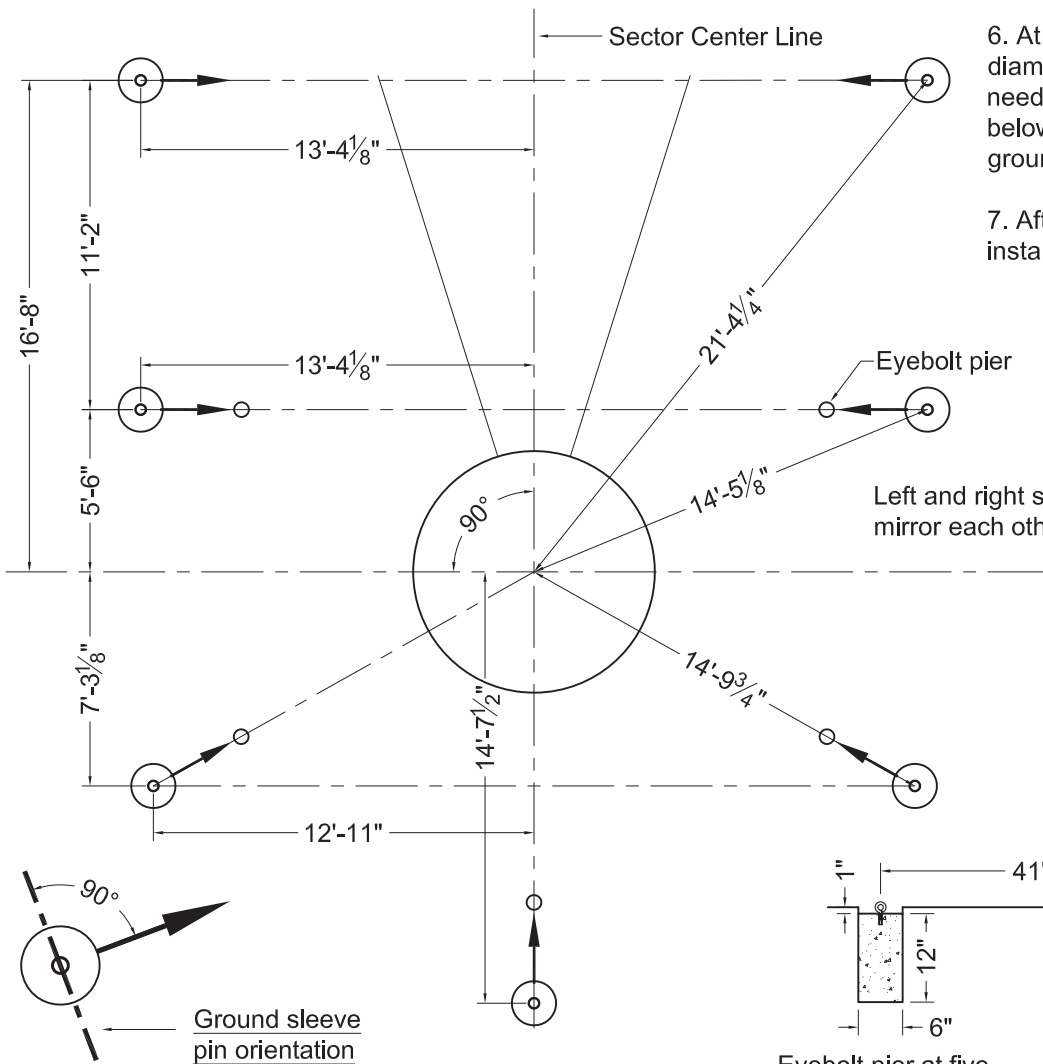
1. Stake out and mark with string the sector center line crossing the circle center. Stake out a second line perpendicular to the sector center line at the circle center. Measure and mark the sleeve centers for each post as shown below.

2. Dig seven 40" deep holes at marked locations. The minimum recommended diameter of these holes is 18". Soil conditions at your sight may require larger diameter concrete bases for each pole.

3. Place approximately 4" of rock in the bottom of each hole. The rock should support the sleeve at the proper height and allow water in the sleeve to drain away.

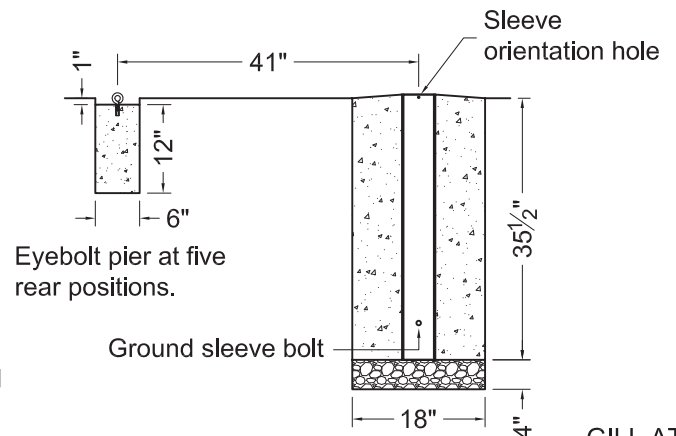
4. Mark the hole centers with crossed strings. Set each ground sleeve in place so the top edge is 1/2" above the surrounding ground level. Position the sleeves so the poles will face in the directions indicated by the arrows as shown. Note the detail showing the orientation of the sleeve pin to the pole axis arrow. As the sleeves must remain vertical, secure them in place with wire and short sections of rebar.

5. Carefully pour cement around the ground sleeves. Check with a level to ensure sleeves have remained vertical. The concrete should slope away from the top edges of the sleeves to ground level to help keep water and debris out of the sleeves.



6. At the rear pole positions, dig 6" diameter holes 13" deep. These holes need to be positioned as shown below. Pour concrete up to 1" below ground level.

7. After the concrete has hardened, install anchor and eyebolt.



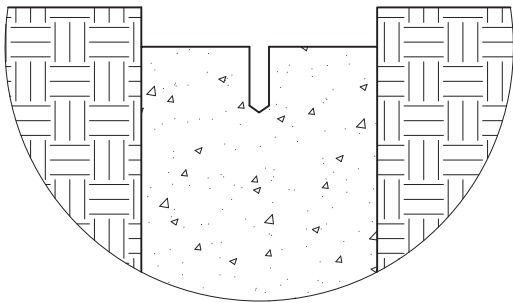
NOTICE: All installations should be conducted by experienced contractors and in accord with all applicable codes, laws and regulations. Suggested instructions herein are illustrative only and should be adapted to suit local requirements. Gill Athletics is not responsible for the manner in which these products are installed.



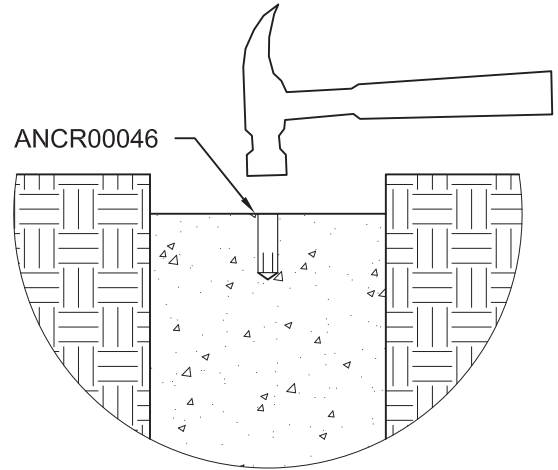
www.gillathletics.com
800-637-3090

DISCUS CAGE DROP IN CONCRETE ANCHOR INSTRUCTIONS

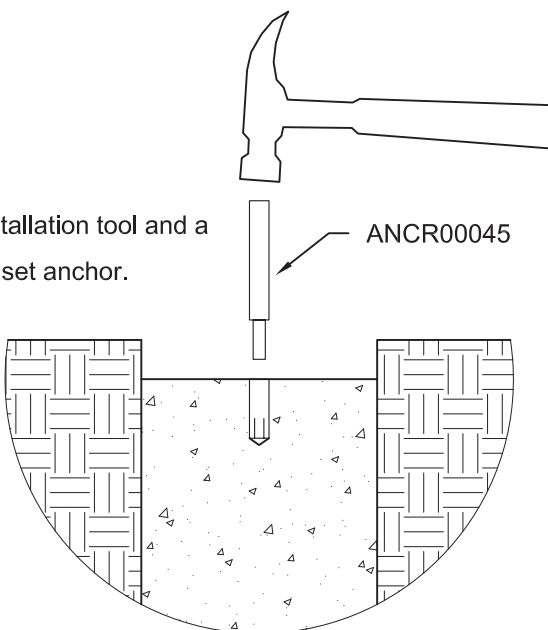
Drill a $\frac{1}{2}$ " diameter hole, $1\frac{1}{2}$ "
deep in the center of the pier.
Clean out hole with a vacuum.



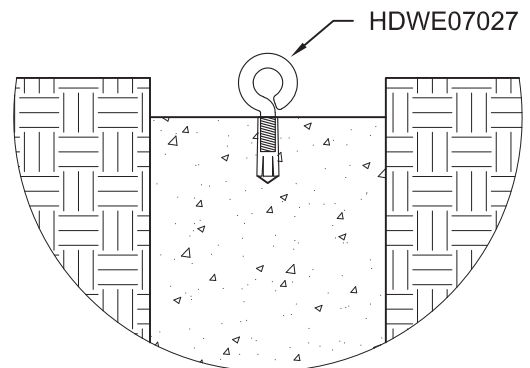
With the threaded opening pointing
up, insert the anchor into the hole.
Tap it down with a hammer.



Use the installation tool and a
hammer to set anchor.



Thread the eyebolt into the anchor.



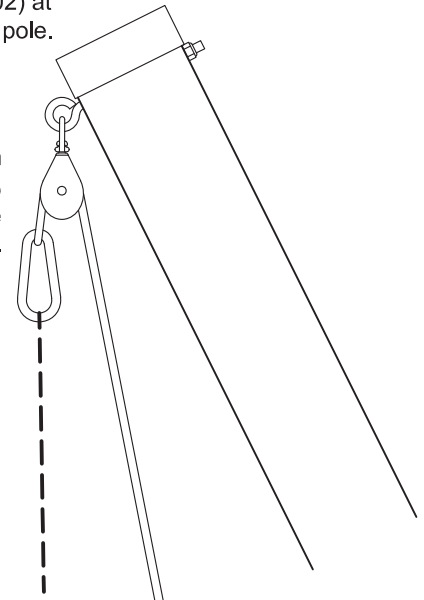


www.gillathletics.com
800-637-3090

901020 - HEAVY DUTY H.S. DISCUS CAGE NET POLE NET POLE INSTALLATION

Install the pipe cap (PCAP00158002) at the top of the net pole.

Install net pole pulley (73210042) with $\frac{5}{16}$ "-18 nylock hex nut (M1254) at the top of the net pole, install the eyebolt so the open end of the eye is up.

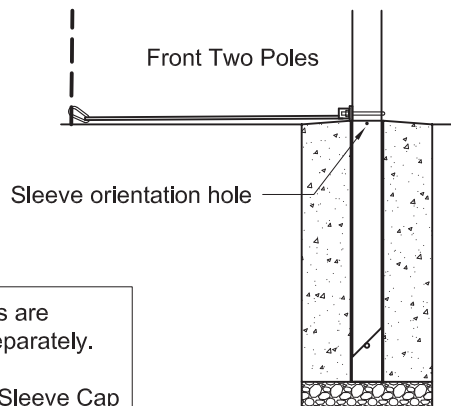
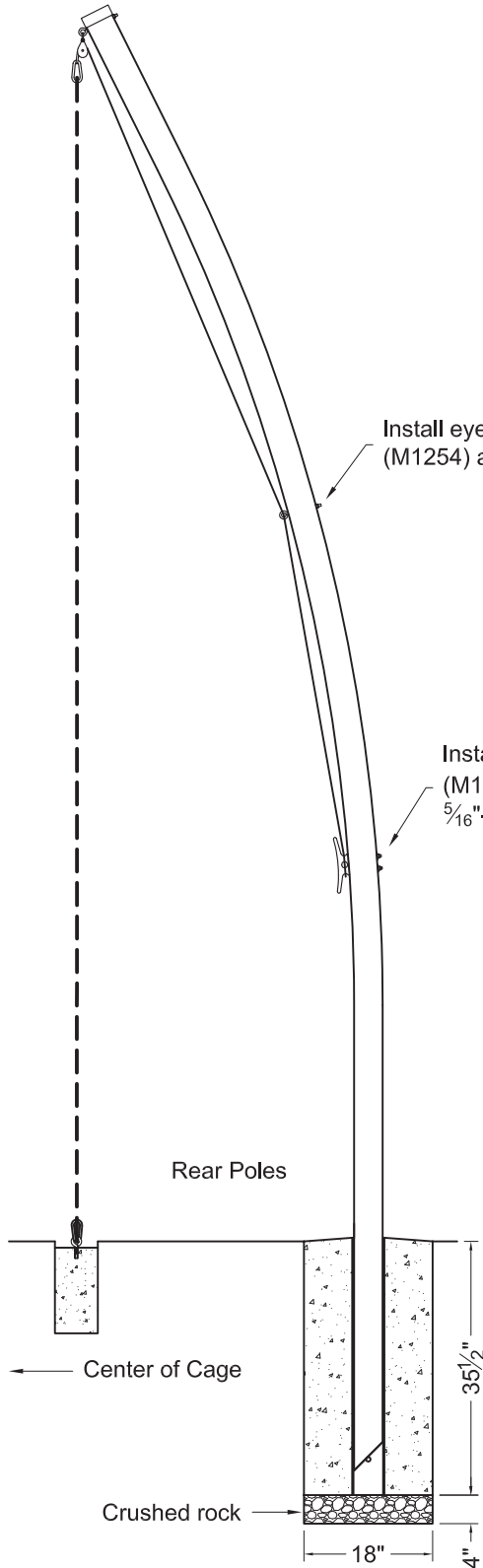


Install eyebolt (M2745) with nylock nut (M1254) at hole 8ft from the ground.

Install rope cleat (M2244) with nylock nuts (M1254), $\frac{5}{16}$ " washers (HDWE050020E0) and $\frac{5}{16}$ "-18 x 6" hex bolts (HDWE01314).

Install net flip arms (73210043) at ground level on the two front net pole with u-bolt (M2298), washers (M2263), and $\frac{1}{2}$ "-13 nuts (HDWE030030E0). Clip the rope edge of the net to the end of the net arm.

At the rear pole positions, clip the bottom of the net to the anchored eyebolts.



Ground Sleeve Caps are available but sold separately.

Works with Ground Sleeve Cap #73119021



www.gillathletics.com
800-637-3090

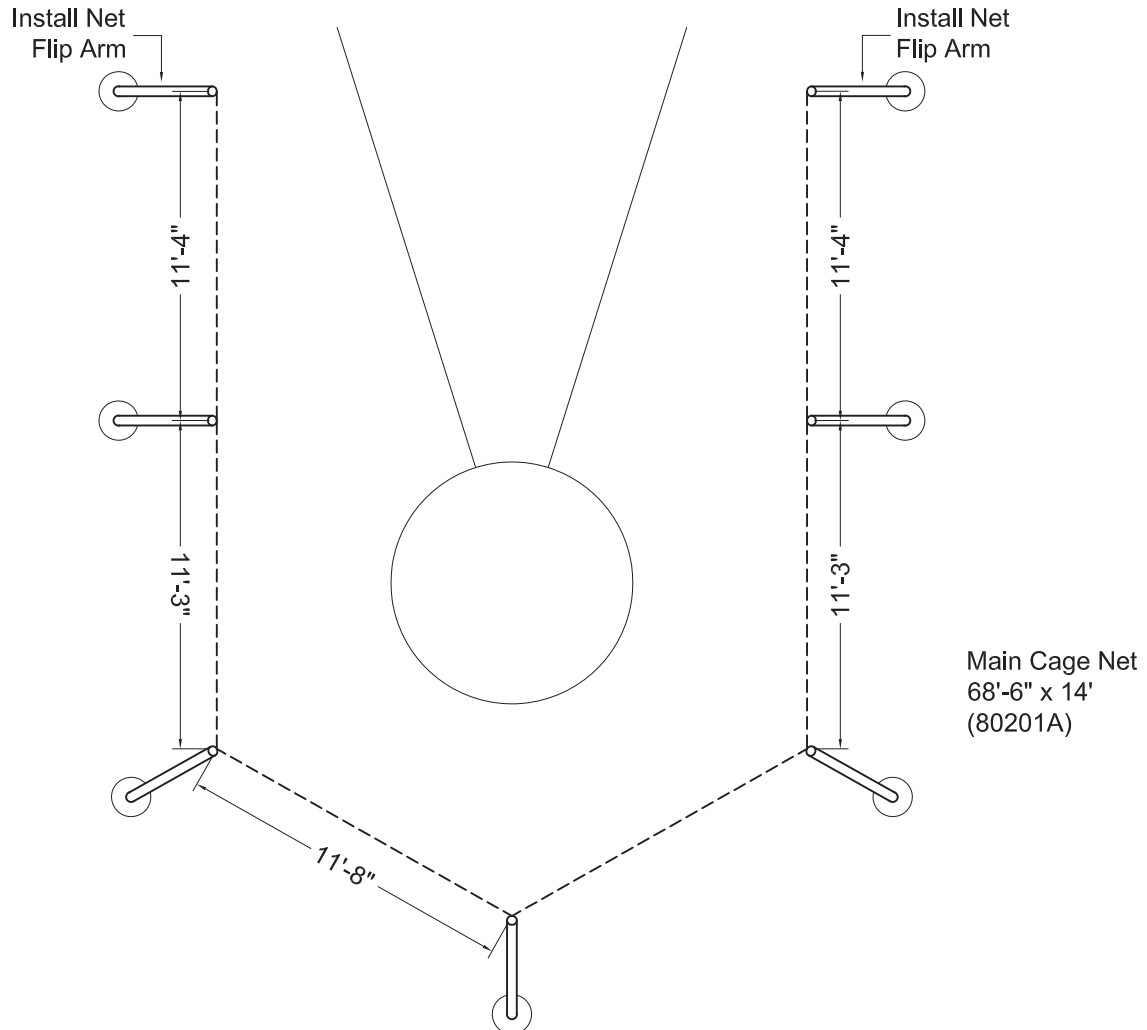
9020 - HEAVY DUTY HIGH SCHOOL DISCUS CAGE NET INSTALLATION

1. To minimize sag, the net is supported by a vinyl coated steel cable. To install the cable, weave it in and out through every 5th net opening just below the top edge of the net. When finished, the loops at each end of the cable should be even with the ends of the net.

2. To ensure the net is evenly spaced when it is installed, mark each hook position on the net according to the diagram below. Stretch the net out flat and stake one upper corner to the ground along with the end of a 100 ft. long measuring tape. Stretch the net and tape to 68' 6" and stake the corner to hold it's position next to the tape. Mark the top of net and the cable at the dimensions shown.

4. Lay out the net inside the cage poles with each marked position next to the appropriate net rope hook. At each position hook both the net binding and the cable. At each end be sure the hook is through the cable loop.

5. Raise the net to the top of the poles and tie off the ropes. At the base of the front poles, hook the bottom corner of the net to the flip arm. A sand bag or other weight can be placed on the arm to increase the arms resistance. If you desire, additional net flip arms can be purchased. At the rear poles, clip the net to the anchored eyebolts. The bottom 6" of the net is supposed to lay on the ground to help trap a discus.



WARNING: Cancer and Reproductive Harm –
For more information go to www.p65warnings.ca.gov

suggestions@gillathletics.com

Copyright ©2016 by Gill Athletics. All rights reserved.

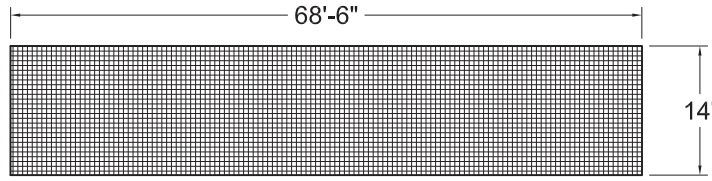
GILL ATH
06-08-16
9020_net



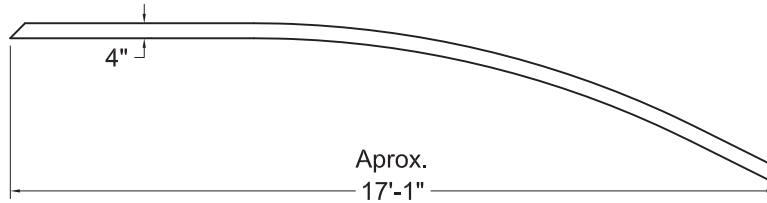
www.gillathletics.com
800-637-3090

9020 - HEAVY DUTY HIGH SCHOOL DISCUS CAGE SHIP LIST

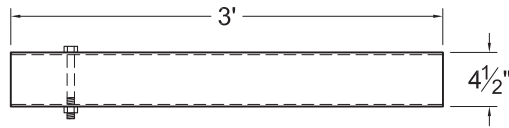
Main Net
80201A
x1



Aluminum Net Pole
901020
x7



Ground Sleeve
73215025
x7



Cage Components Box - 902040

Warning Sign
M2322
x3
Snap Ring
M1250
x12



Rope Cleat
M2244
x7



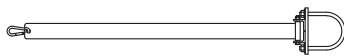
1/4" Polyester Rope
M2005
(25ft Sections)
x8 sections

Net Support Cable
68' Long
802048A
x1

Pipe Caps
PCAP00158002
x7



Net Arm
73210043
x2



HARDWARE BAG x 1:		
QTY.	M#	DESCRIPTION
7	73210042	Net Pole Pulley Assembly
7	M2745	3/16"-18 x 5" Eyebolt
28	M1254	5/16"-18 Nylock Hex Nut
14	HDWE01314	5/16"-18 x 6" Hex Bolt
14	HDWE050020E0	5/16" Washer
12	M2223	3/8" Snap Hook
1	ANCR00045	Installation Tool for Concrete Anchor
5	ANCR00046	Drop-In Concrete Anchor; 3/8"-16
5	HDWE07027	3/8"-16 X 7/8" Eyebolt; 2.5" Total Length

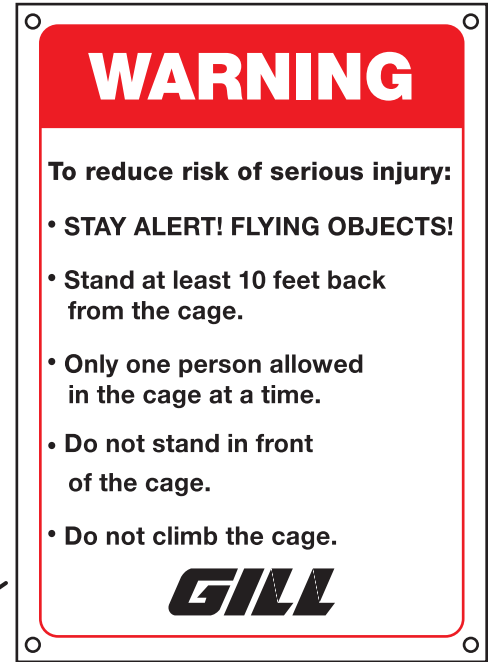


www.gillathletics.com
800-637-3090

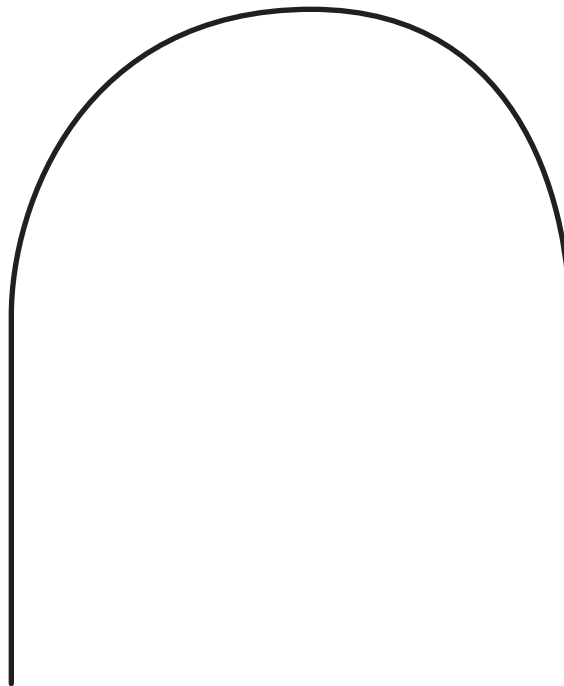
THROWING CAGE INSTALLATION OF WARNING SIGNS

For the protection of athletes, spectators, and coaches install warning signs according to the diagram below.

Attach signs (M2322) to the cage net with the included 1.25" rings (M1250) in each corner. Signs should face away from the cage toward spectators.



Center Back: Attach sign to the outside of the net at eye level in the middle of the back of the cage.



Left Front Side: Attach sign to the outside of the net at eye level near the front left side of the cage.



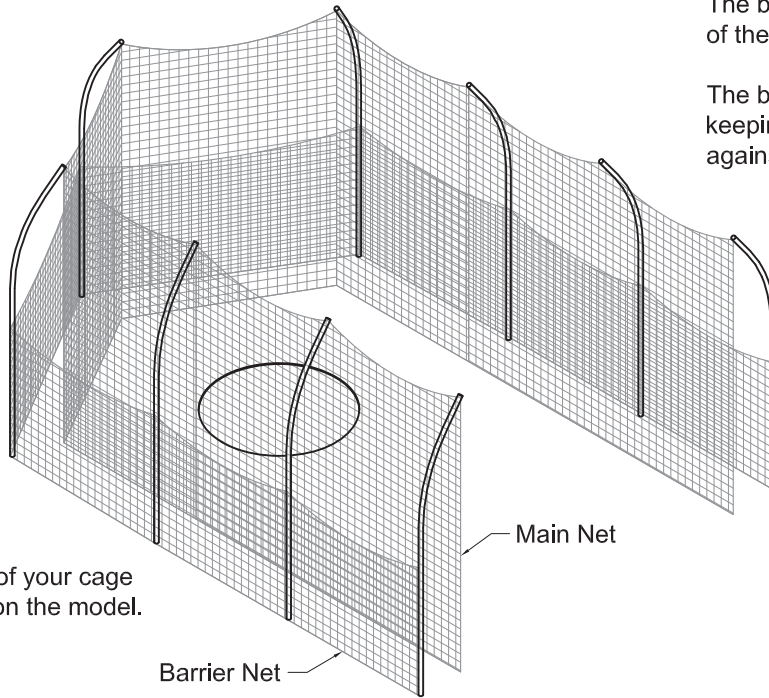
Right Front Side: Attach sign to the outside of the net at eye level near the front right side of the cage.





www.gillathletics.com
800-637-3090

DISCUS CAGE BARRIER NETS INSTALLATION



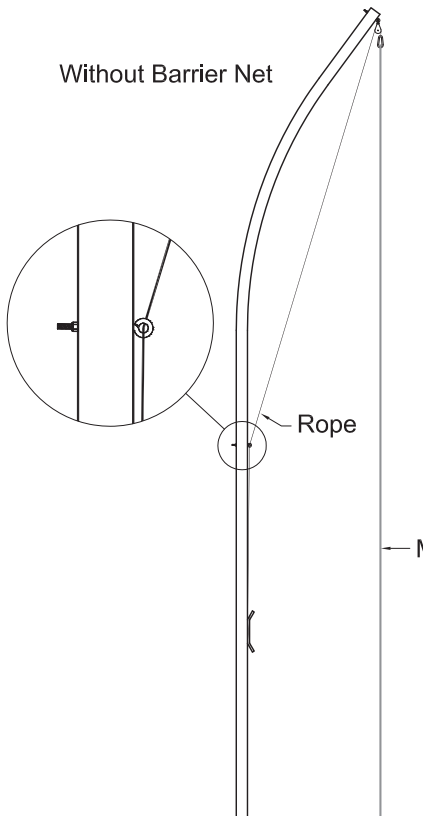
The barrier net wraps around the outside of the cage poles and is 8 feet tall.

The barrier net improves safety by keeping spectators from standing up against the outside of the main net.

The size and layout of your cage will vary depending on the model.

Main Net

Barrier Net

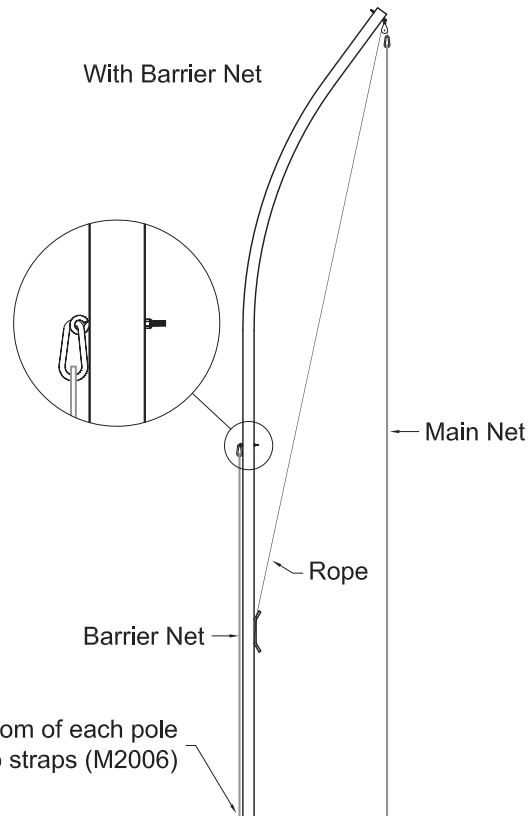


Without Barrier Net

Rope

Main Net

To install the barrier net remove the rope guide eye-bolts and re-install them reverse. You may have to move the bolt to a lower hole. Hang the barrier net from the eye-bolts using the snap hook (M2224).



With Barrier Net

Main Net

Rope

Barrier Net

Secure the net to the bottom of each pole using the 15" velcro straps (M2006)

GILL ATH
05/30/08