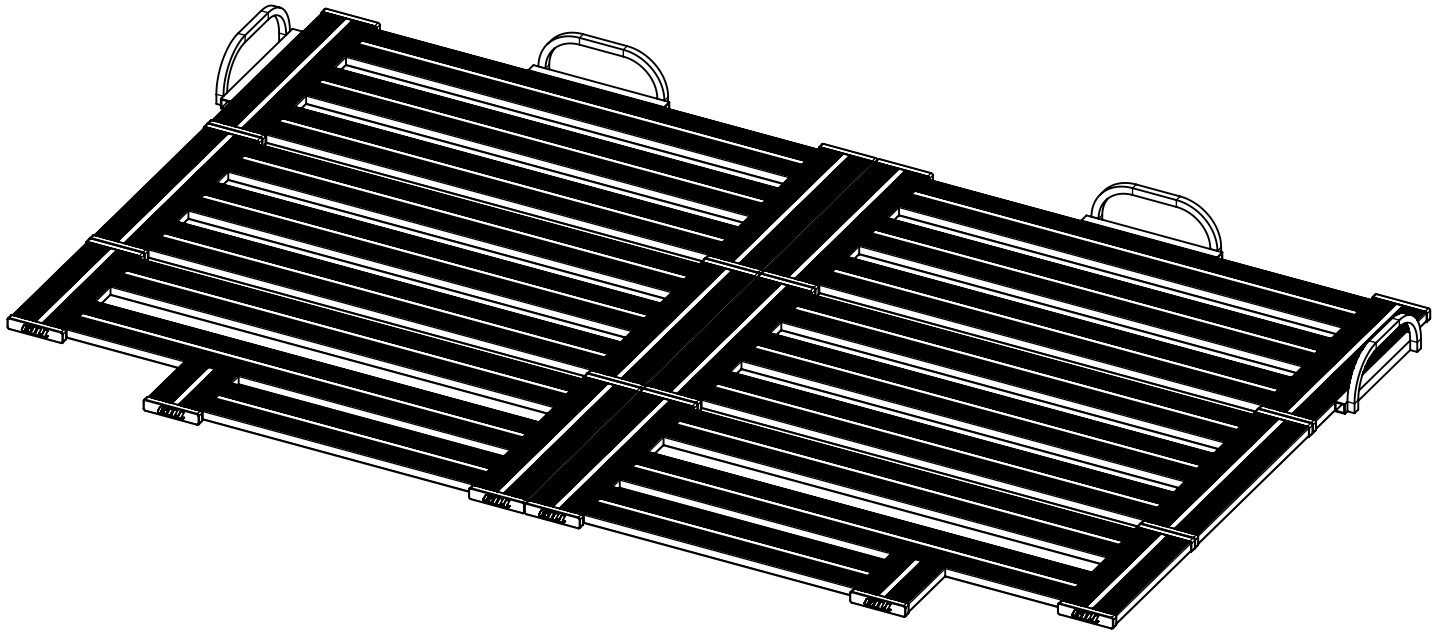


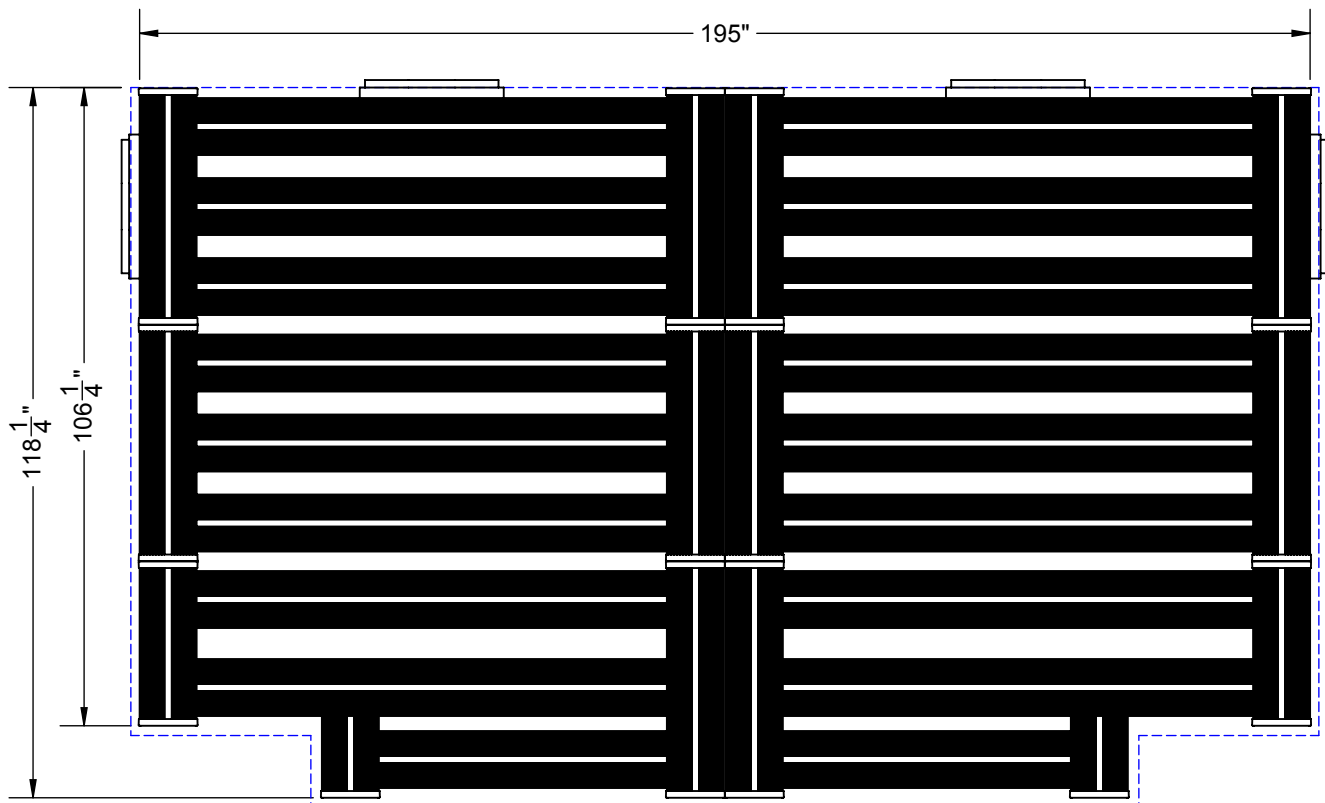


www.gillathletics.com  
800-637-3090

## 733642 - PIT PLATFORM CUSTOMER INSTRUCTIONS



Made of corrosion-resistant aluminum, this platform supports the 642 high jump landing systems above the ground to prevent water damage. The platform consist of individual, easy to carry and convenient to store pallets which are quickly assembled and disassembled.

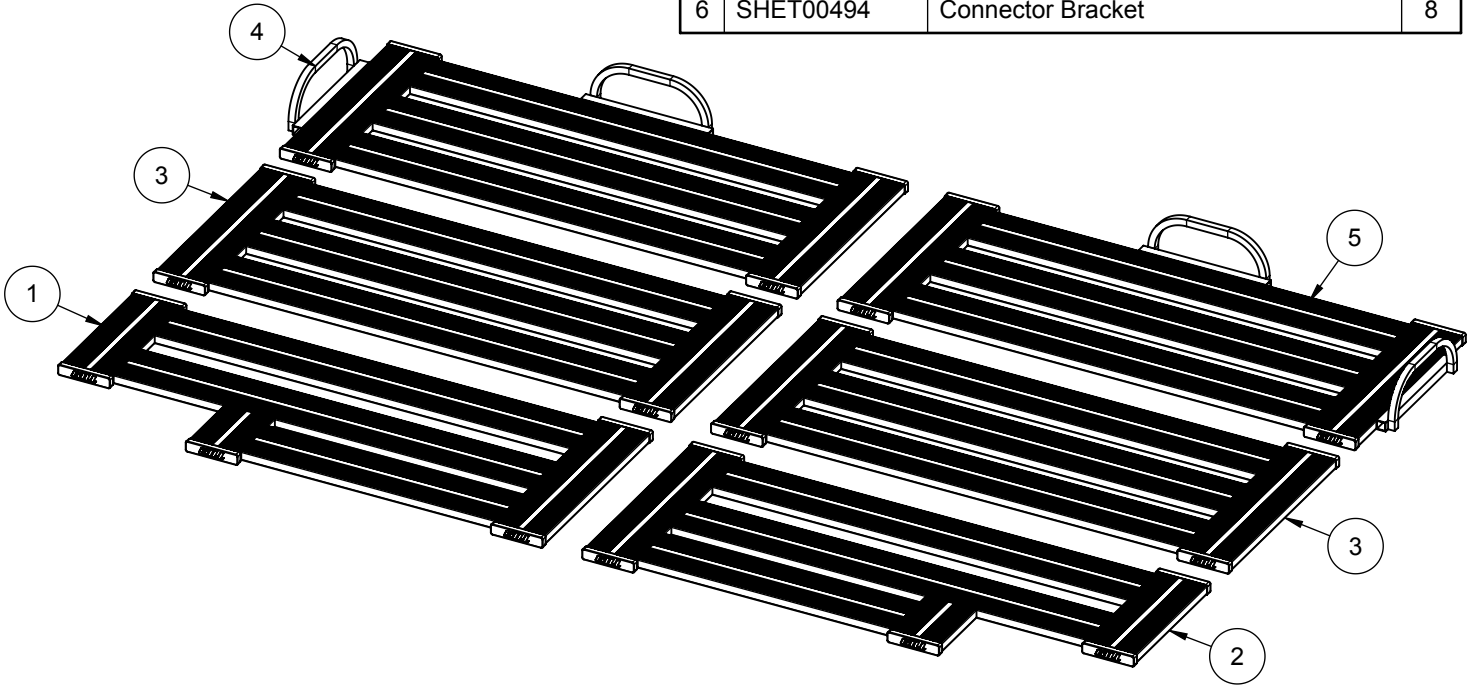




www.gillathletics.com  
800-637-3090

## 733642 - PIT PLATFORM CUSTOMER INSTRUCTIONS

	PART #	DESCRIPTION	QTY
1	73364210	733642 Front Left Section Assembly	1
2	73364220	733642 Front Right Section Assembly	1
3	73364230	733642 Middle Section Assembly	2
4	73364240	733642 Back Section Assembly	1
5	73364250	733642 Back Right Section Assembly	1
6	SHET00494	Connector Bracket	8



Position the front sections on the track.

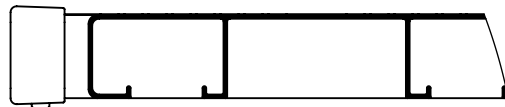
Lift up the back and place the Connector Brackets under the planking. Use two brackets per section; one at each end.

Now lay the middle sections down so that they engage the brackets.

Repeat the same procedure to attach the rear sections.

Lower the next section onto the bracket.

Position the bracket under the first section.





www.gillathletics.com  
800-637-3090

# 733642 - PIT PLATFORM CUSTOMER INSTRUCTIONS

