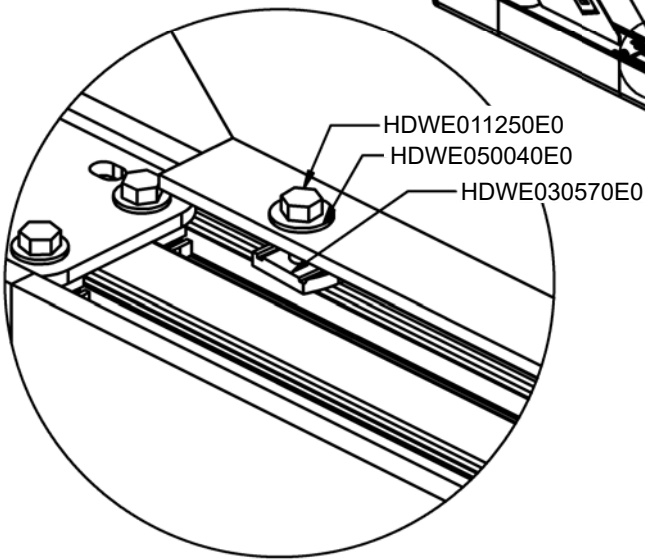
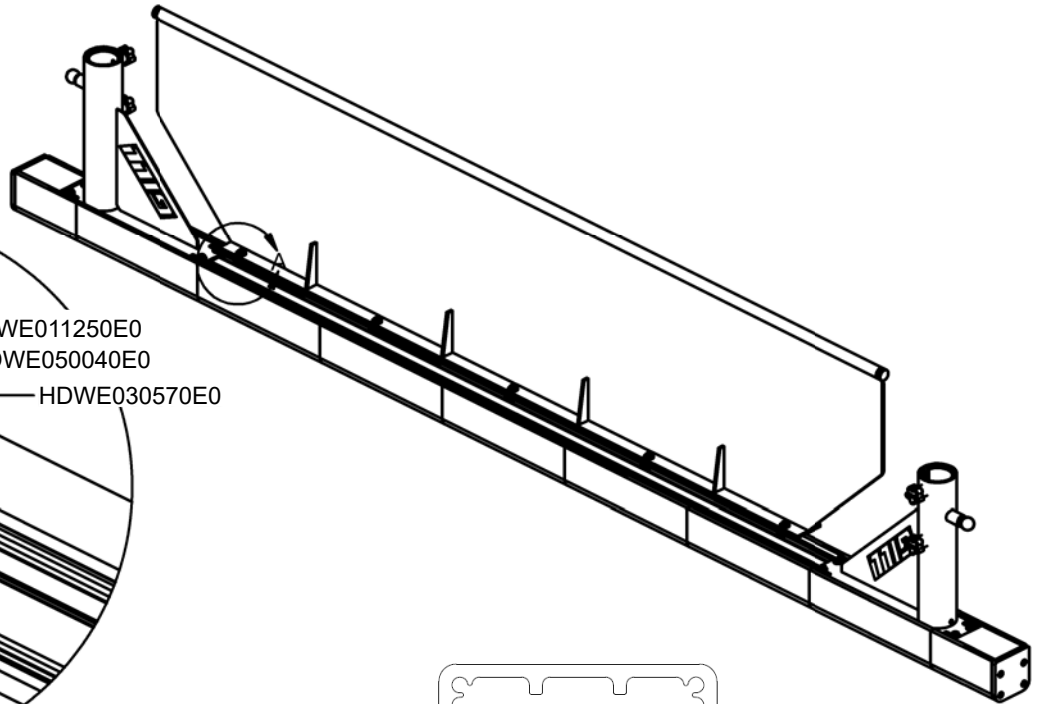
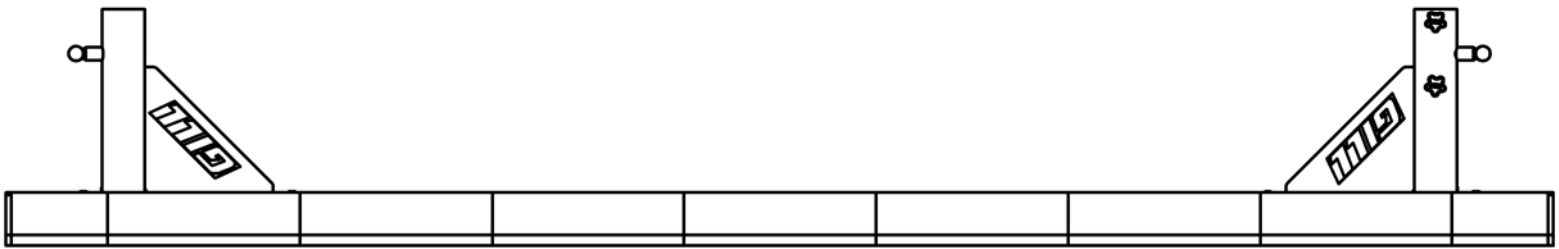


Assembly Instructions

- 1) Take the top of the Waterjump Steeplechase off of legs/sleeve.
- 2) Place upside down on ground (see below)



- 3) Pre assemble all of the hardware and install on the waterjump barrier seal
- 4) Slowly set in extrusion channels (2 people recommended for this step)
- 5) Use 9/16" socket to tighten barrier seal

