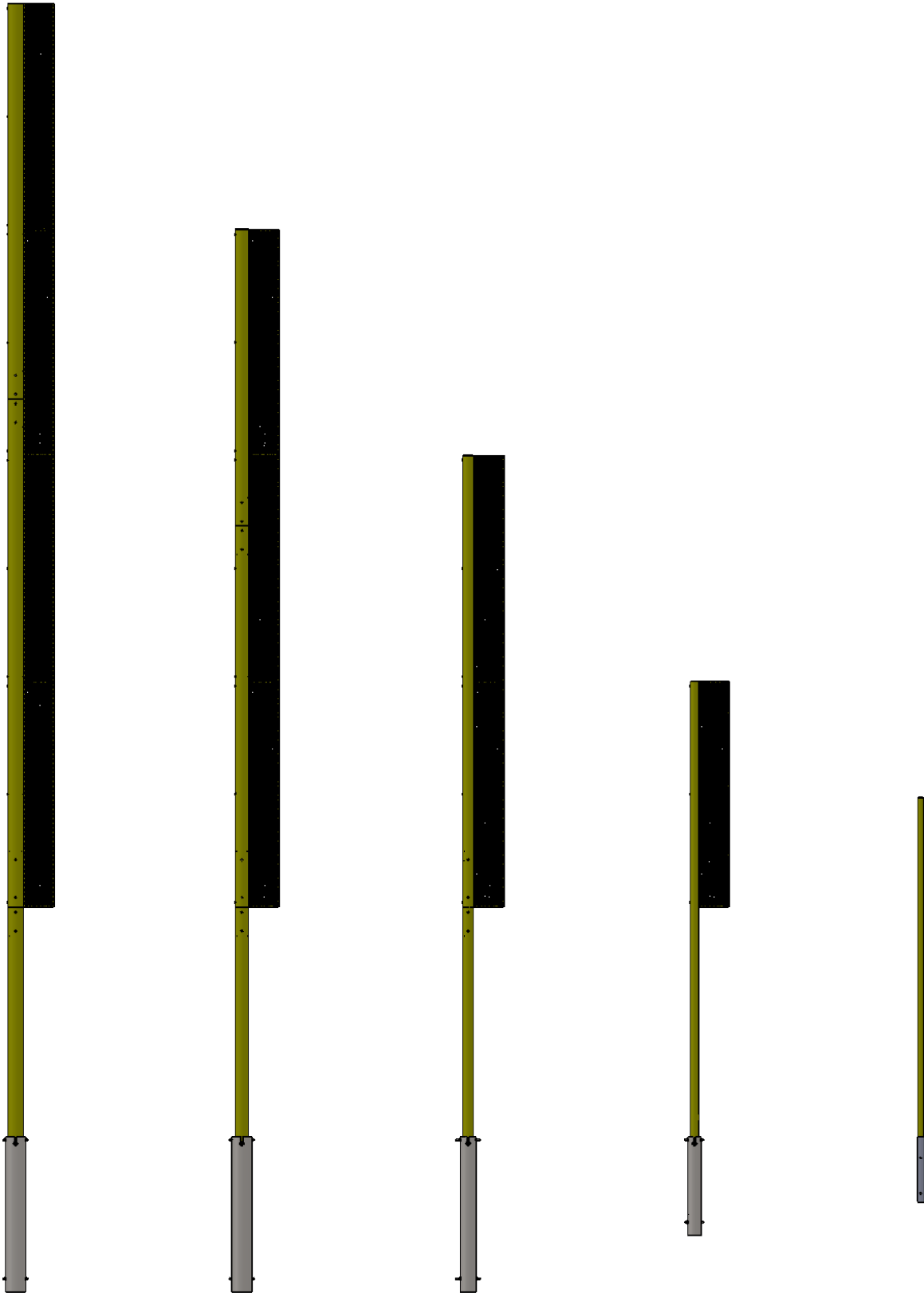




www.gillathletics.com
800-637-3090

GROUND SLEEVED FOUL POLE INSTALLATION INSTRUCTIONS



Copyright © 2018 by Gill Athletics.
All rights reserved.

⚠ WARNING: This product can expose you to Titanium Dioxide, which is known to the State of California to cause cancer. For more information go to www.p65warnings.ca.gov.

1/4/2019
INST3340XX_GS
Page 1 of 9

E

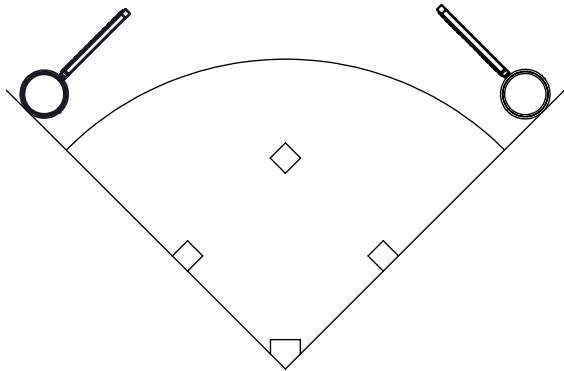


www.gillathletics.com
800-637-3090

GROUND SLEEVED FOUL POLE INSTALLATION INSTRUCTIONS

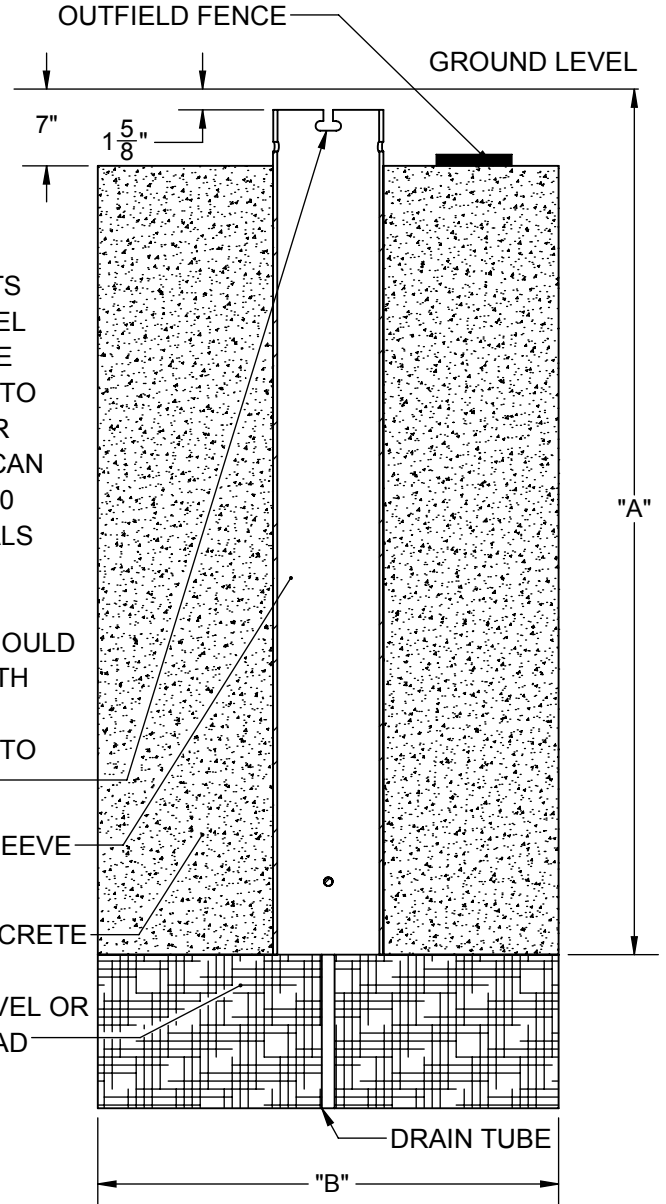
GROUND SLEEVE INSTALLATION

Ground Sleeve	Foul Pole Size	"A"	"B"
F39901	32' and 40'	67 5/8"	36"
F39902	24'	67 5/8"	36"
F39903	16'	43 5/8"	36"
00402000	12'	29 3/8"	24"

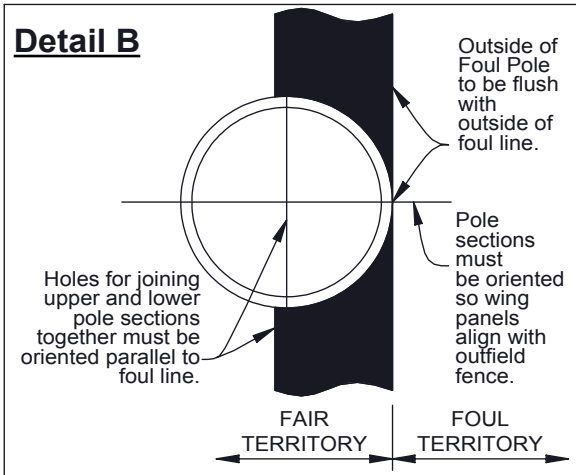


ONE SET OF SLOTS MUST BE PARALLEL AND ONE MUST BE PERPENDICULAR TO FOUL LINE. UPPER POLE SECTIONS CAN BE MOUNTED IN 90 DEGREE INTERVALS (24', 32', & 40')

16' FOUL POLE SHOULD BE INSTALLED WITH SHALLOW SLOTS PERPENDICULAR TO FOUL LINE.



Detail B



1. Locate the center of the footing (see **Detail B**).
2. **CAUTION** - Before digging, check for locations of buried power cables, drain tiles water lines, etc.
3. Dig hole to accommodate the purchased ground sleeve. Depth of footing will vary depending on which ground sleeve will be installed (see table above to help determine depth of footing).
4. At the bottom of the hole, pour a concrete base pad on a layer of packed gravel. Dimension of the top of the base pad to the playing surface "A" is crucial. Refer to illustration and table shown above. Note that it may be desirable in certain high-moisture soil conditions to provide a drainage tube through the concrete base pad into a sublayer of gravel for proper drainage.
5. Secure threaded rod to bottom of ground sleeve using locknuts (Hardware is supplied with ground sleeve). The deep slots on the upper end of the ground sleeve must be located parallel to the foul line (perpendicular to the fence).
6. After the concrete base pad has hardened, place the ground sleeve in the exact location for the second pour. Secure sleeve in place and fill hole to within 7" of the playing surface. Allow concrete to set up a minimum of 48 hours before installing foul pole.



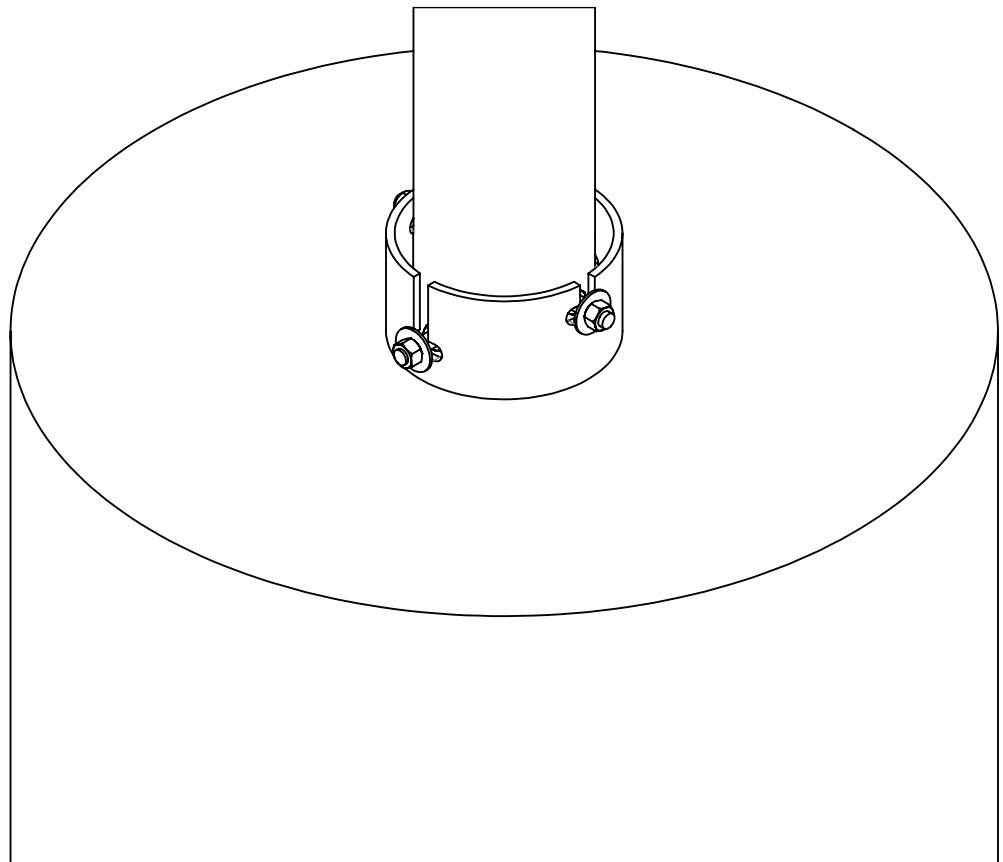
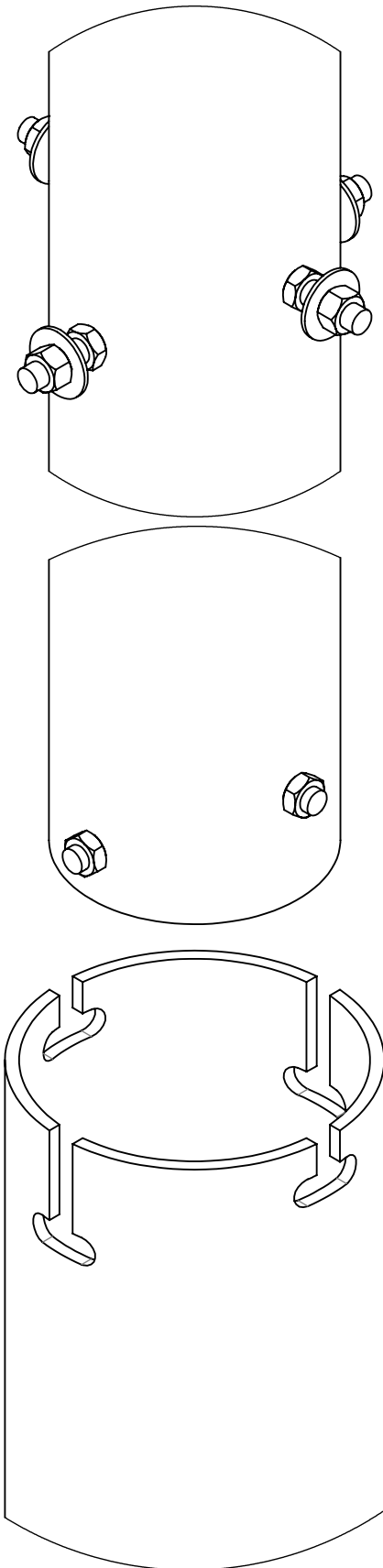
www.gillathletics.com
800-637-3090

GROUND SLEEVED FOUL POLE INSTALLATION INSTRUCTIONS

Install the smaller threaded centering rods through the two lower pairs of holes in the bottom pole. Secure the rods with 5/8"-11 jam nuts (M2292), leaving an equal amount of rod protruding from all four holes. These rods will keep the bottom of the foul pole from shifting in the ground sleeve during final adjustment. Install the longer threaded leveling rods in the same fashion through the upper holes in the foul pole, securing with 5/8"-11 jam nuts (M2292).

After the concrete foundation has fully cured, set the lower pole into the ground sleeve, inserting the leveling rods into the appropriate set of notches in the top of the sleeve. Install the washers (M2835) and 5/8"-11 hex nuts (M1237) onto the leveling rods to the outside of the ground sleeve. Visually check the offset pole within the ground sleeve and hand tighten the four nuts.

Using a 4' level, check to see if the foul pole is plumb. If it is, tighten the nuts around the ground sleeve securely at this time. If adjustment is required, loosen the appropriate outer nuts a small amount (a turn at a time) and tighten the opposing outer nuts until snug, then recheck. Continue this adjustment process until the foul pole is plumb. Securely tighten the four outer nuts.





www.gillathletics.com
800-637-3090

GROUND SLEEVED FOUL POLE INSTALLATION INSTRUCTIONS

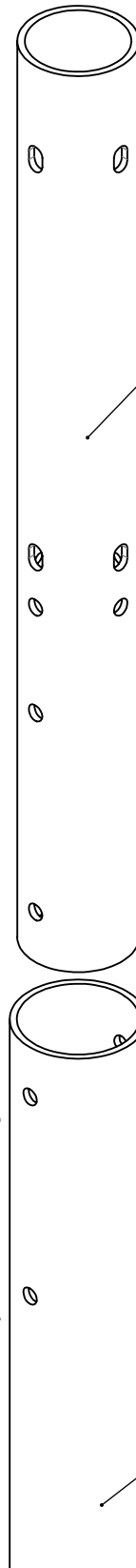
INSERT FOUL POLE SPLICE INTO THE LOWER UPRIGHT (24', 32', & 40').
NOTE THAT THE LOWER UPRIGHT HAS 12" HOLE SPACING AND ONLY ONE SIDE OF THE SPLICE WILL HAVE 12" HOLE SPACING TO MATCH (SLOTS IN THE SPLICE SHOULD BE ON TOP).

THIS SPLICE IS DEPENDANT ON THE SIZE FOUL POLE BEING INSTALLED (SEE LAST 2 PAGES). THERE WILL BE NO SPLICES FOR A 16' FOUL POLE.

1/2"-13 BOLT
LENGTH DEPENDS ON FOUL POLE
(SEE LAST 2 PAGES)

M2232

LOWER FOUL POLE UPRIGHT





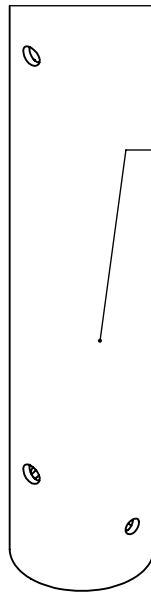
www.gillathletics.com
800-637-3090

GROUND SLEEVED FOUL POLE INSTALLATION INSTRUCTIONS

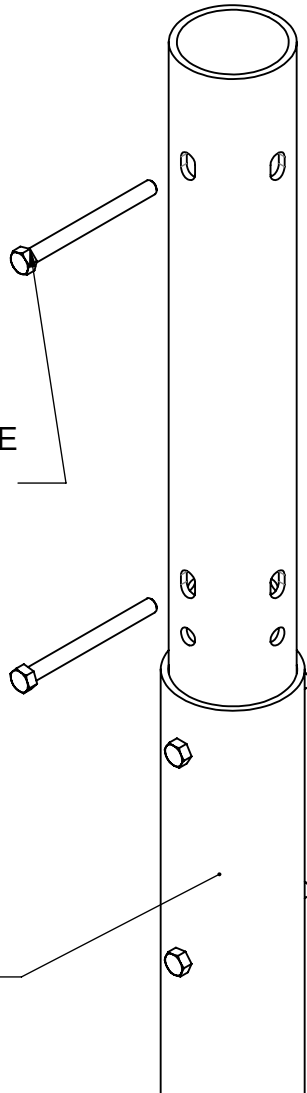
ATTACH THE UPPER (24') OR
MIDDLE (32' & 40') UPRIGHT
TO THE LOWER POLE. MAKE SURE
THE HOLES TO MOUNT THE WING
PANELS ARE PERPENDICULAR TO
THE FOUL LINE. THE UPPER
PORTION OF THE FOUL POLE CAN
BE MOUNTED IN 90 DEGREE
INTERVALS.

1/2"-13 BOLT
LENGTH DEPENDS ON FOUL POLE
(SEE LAST 2 PAGES)

LOWER FOUL POLE UPRIGHT



UPPER OR MIDDLE FOUL POLE UPRIGHT



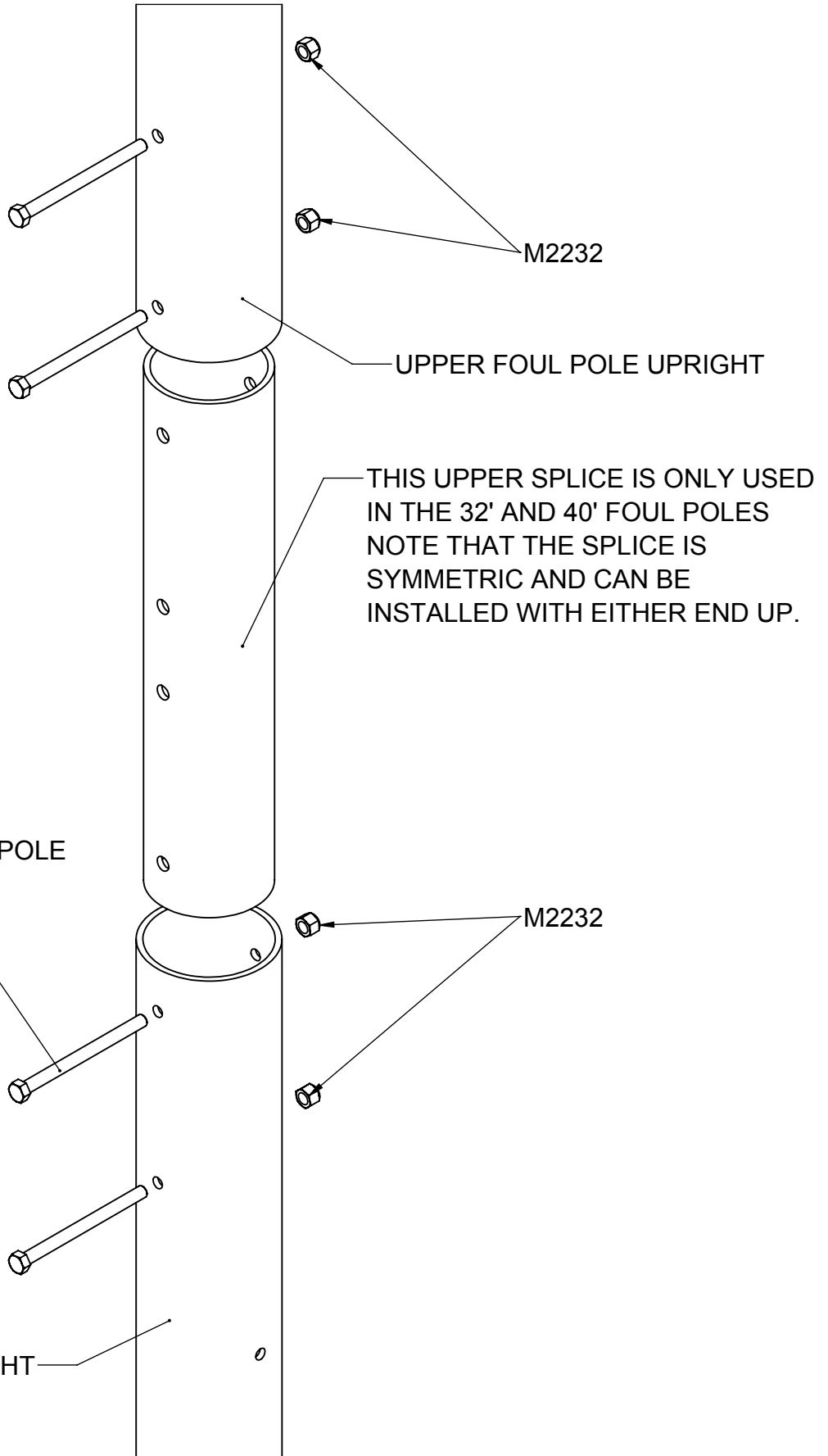
M2232



www.gillathletics.com
800-637-3090

GROUND SLEEVED FOUL POLE INSTALLATION INSTRUCTIONS

FOR THE 32' AND 40' FOUL POLES, ATTACH THE UPPER POLE USING THE SMALLER SPLICE. DEPENDING ON THE EQUIPMENT USED FOR INSTALLATION, IT MAY BE EASIER TO ATTACH THE UPPER AND MIDDLE POLE WHILE THEY ARE ON THE GROUND.



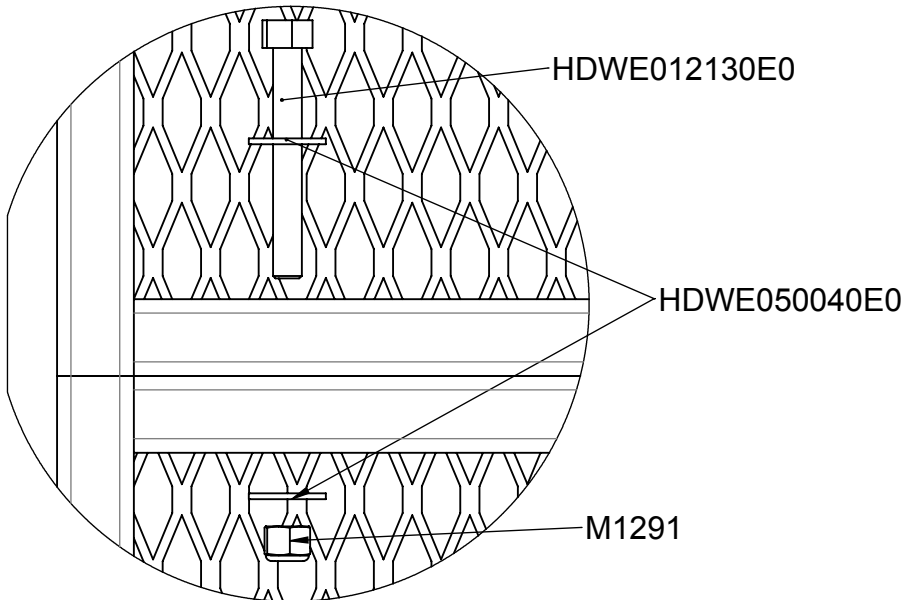
1/2"-13 BOLT
LENGTH DEPENDS ON FOUL POLE
(SEE LAST 2 PAGES)

MIDDLE FOUL POLE UPRIGHT

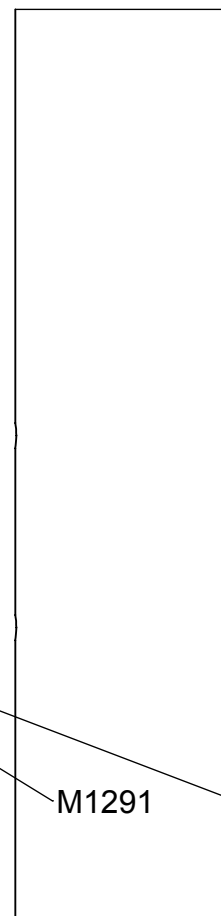
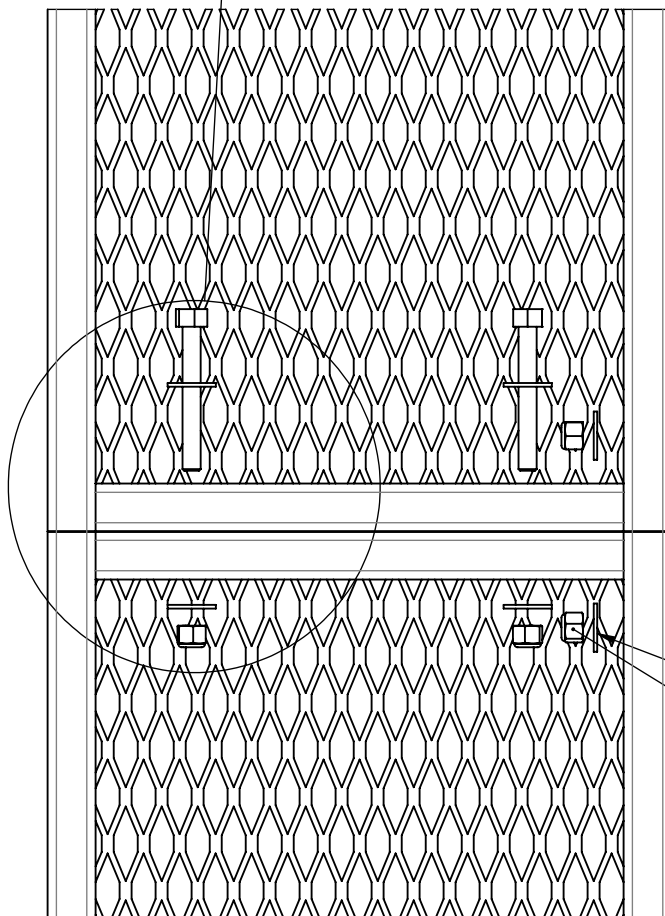


www.gillathletics.com
800-637-3090

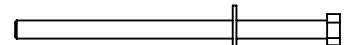
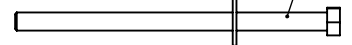
GROUND SLEEVED FOUL POLE INSTALLATION INSTRUCTIONS



ATTACH WING PANELS WITH THE LONGER 3/8"-16 BOLTS. EACH PANEL HAS 3 MOUNTING HOLES THAT WILL LINE UP WITH THE HOLES IN THE UPRIGHTS. FOR FOUL POLES WITH MORE THAN ONE PANEL (24', 32', & 40'), JOIN THE PANELS WITH THE SMALLER 3/8"-16 BOLTS. (DETAIL LEFT)



3/8"-16 BOLT
LENGTH DEPENDS ON
FOUL POLE
(SEE LAST 2 PAGES)



M1291

HDWE050040E0



www.gillathletics.com
800-637-3090

GROUND SLEEVED FOUL POLE INSTALLATION INSTRUCTIONS

12' FOUL POLE

#	Part #	Description	Qty.
1	POLE334012101	12' FOUL POLE UPRIGHT	1
2	PCAP00060002	INSIDE CAP PLUG - 2-3/8"	1

16' FOUL POLE

#	Part #	Description	Qty.
1	POLE334016101	16' FOUL POLE UPRIGHT	1
2	PANL00334	FOUL POLE WING PANEL	1
3	HDWE012250E0	HEX BOLT - 3/8-16 X 5-1/2"	3
4	HDWE050040E0	3/8" FLATWASHER	6
5	M1291	3/8"-16 NYLOCK HEX NUT	3
6	M2292	5/8"-11 JAM NUT	8
7	HDWE050070E0	5/8" FLATWASHER (USS)	4
8	HDWE03012000	5/8"-11 HEX NUT	4
9	F30013	POLE CENTERING PIN - 5/8" X 4 7/8"	2
10	F30011	POLE CENTERING PIN - 5/8" X 7 7/8"	2

24' FOUL POLE

#	Part #	Description	Qty.
1	POLE334024101	24' FOUL POLE UPRIGHT; LOWER	1
2	POLE334024201	24' FOUL POLE UPRIGHT; UPPER	1
3	PANL00334	FOUL POLE WING PANEL	2
4	SLVE00164	24' FOUL POLE UPRIGHT SPLICE	1
5	HDWE012270E0	HEX BOLT - 3/8"-16 X 6-1/2"	6
6	HDWE012130E0	HEX BOLT - 3/8"-16 X 3"	2
7	HDWE050040E0	3/8" FLATWASHER	16
8	M1291	3/8"-16 NYLOCK HEX NUT	8
9	HDWE011810E0	HEX BOLT- 1/2"-13 X 5-1/2"	4
10	M2232	1/2"-13 NYLOCK HEX NUT	4
11	M2292	5/8"-11 JAM NUT	8
12	HDWE050070E0	5/8" FLATWASHER (USS)	4
13	HDWE03012000	5/8"-11 HEX NUT	4
14	F33011	POLE CENTERING PIN 5/8" X 7 7/8"	2
15	F30012	POLE CENTERING PIN 5/8" X 10 3/4"	2



www.gillathletics.com
800-637-3090

GROUND SLEEVED FOUL POLE INSTALLATION INSTRUCTIONS

32' FOUL POLE

#	Part #	Description	Qty.
1	POLE334032101	32' FOUL POLE UPRIGHT; LOWER	1
2	POLE334032201	32' FOUL POLE UPRIGHT; MIDDLE	1
3	POLE334032301	32' FOUL POLE UPRIGHT; UPPER	1
4	PANL00334	FOUL POLE WING PANEL	3
5	SLVE00165	32' FOUL POLE SPLICE; UPPER	1
6	SLVE00167	32' FOUL POLE SPLICE; UPPER	1
7	HDWE050040E0	3/8" FLATWASHER	26
8	HDWE012290E0	HEX BOLT - 3/8"-16 x 7 1/2"	9
9	HDWE012150E0	HEX BOLT - 3/8"-16 X 3 1/4"	4
10	M1291	3/8"-16 NYLOCK HEX NUT	13
11	HDWE011840E0	HEX BOLT - 1/2"-13 X 6-1/2"	8
12	M2232	1/2"-13 NYLOCK HEX NUT	8
13	M2292	5/8"-11 JAM NUT	8
14	HDWE03012000	5/8"-11 HEX NUT	4
15	HDWE050070E0	5/8" FLAT WASHER (USS)	4
16	F30011	POLE CENTERING PIN 5/8" X 7 7/8"	2
17	F30012	POLE CENTERING PIN 5/8" X 10 3/4"	2

40' FOUL POLE

#	Part #	Description	Qty.
1	POLE334040101	40' FOUL POLE UPRIGHT; LOWER	1
2	POLE334040201	40' FOUL POLE UPRIGHT; MIDDLE	1
3	POLE334040301	40' FOUL POLE UPRIGHT; UPPER	1
4	PANL00334	FOUL POLE WING PANEL	4
5	SLVE00166	FOUL POLE SPLICE; LOWER	1
6	SLVE00168	FOUL POLE SPLICE; UPPER	1
7	HDWE012130E0	HEX BOLT - 3/8"-16 X 3"	6
8	HDWE012300E0	HEX BOLT - 3/8"-16 x 8 1/2"	12
9	HDWE050040E0	3/8" FLATWASHER	36
10	M1291	3/8"-16 NYLOCK HEX NUT	18
11	HDWE012820E0	HEX BOLT - 1/2"-13 X 7 1/2"	8
12	M2232	1/2"-13 NYLOCK HEX NUT	8
13	M2292	5/8"-11 JAM NUT	8
14	HDWE050070E0	5/8" FLATWASHER (USS)	4
15	HDWE03012000	5/8"-11 HEX NUT	4
16	F30011	POLE CENTERING PIN 5/8" X 7 7/8"	2
17	F30012	POLE CENTERING PIN 5/8" X 10 3/4"	2

HARDWARE QUANTITIES SHOWN ARE FOR ONE FOUL POLE