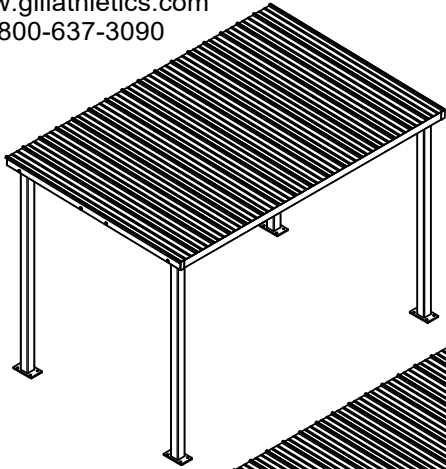


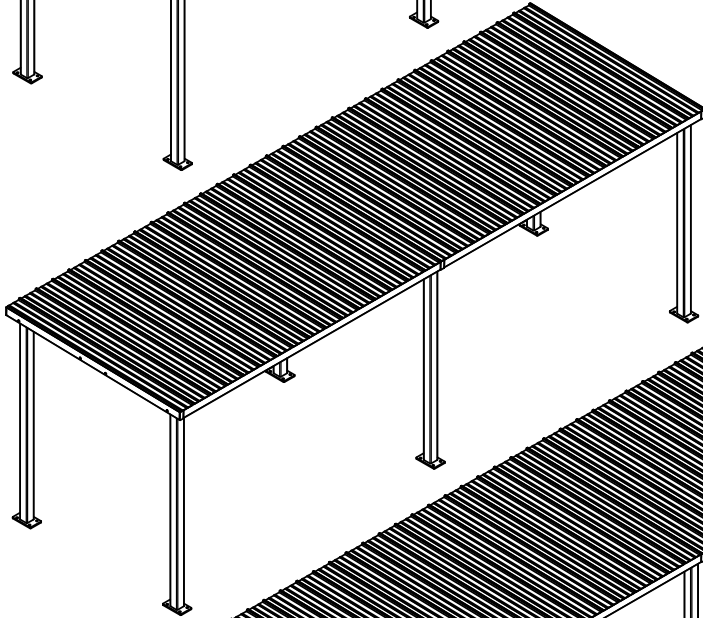


www.gillathletics.com  
800-637-3090

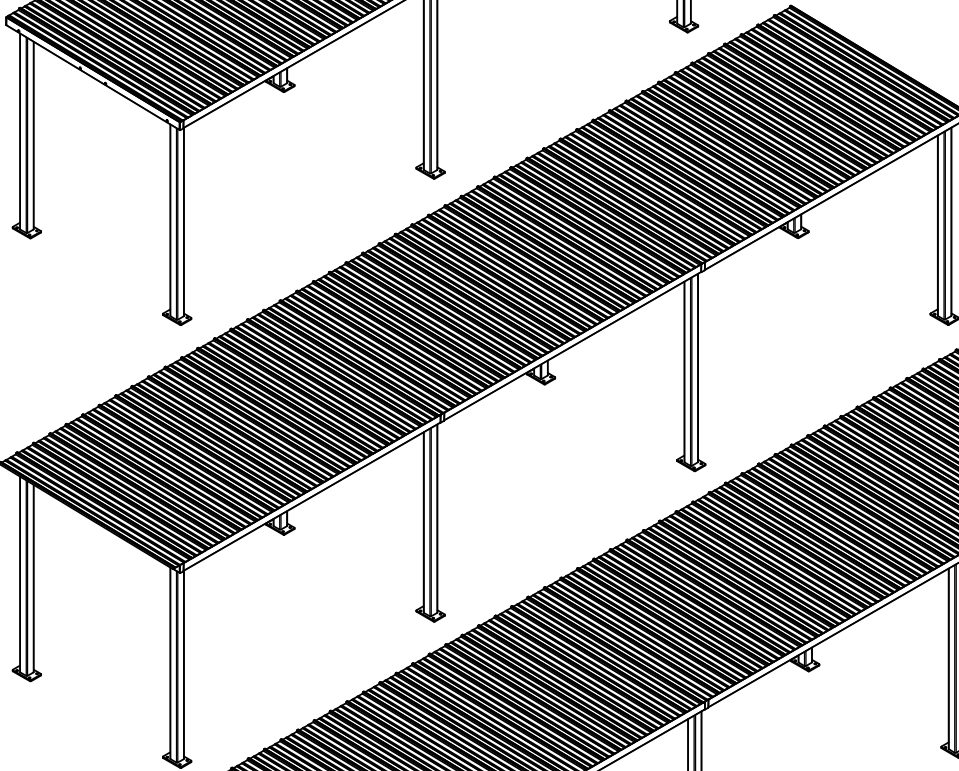
# FIELD SHELTER DUGOUT INSTRUCTIONS 3308XX



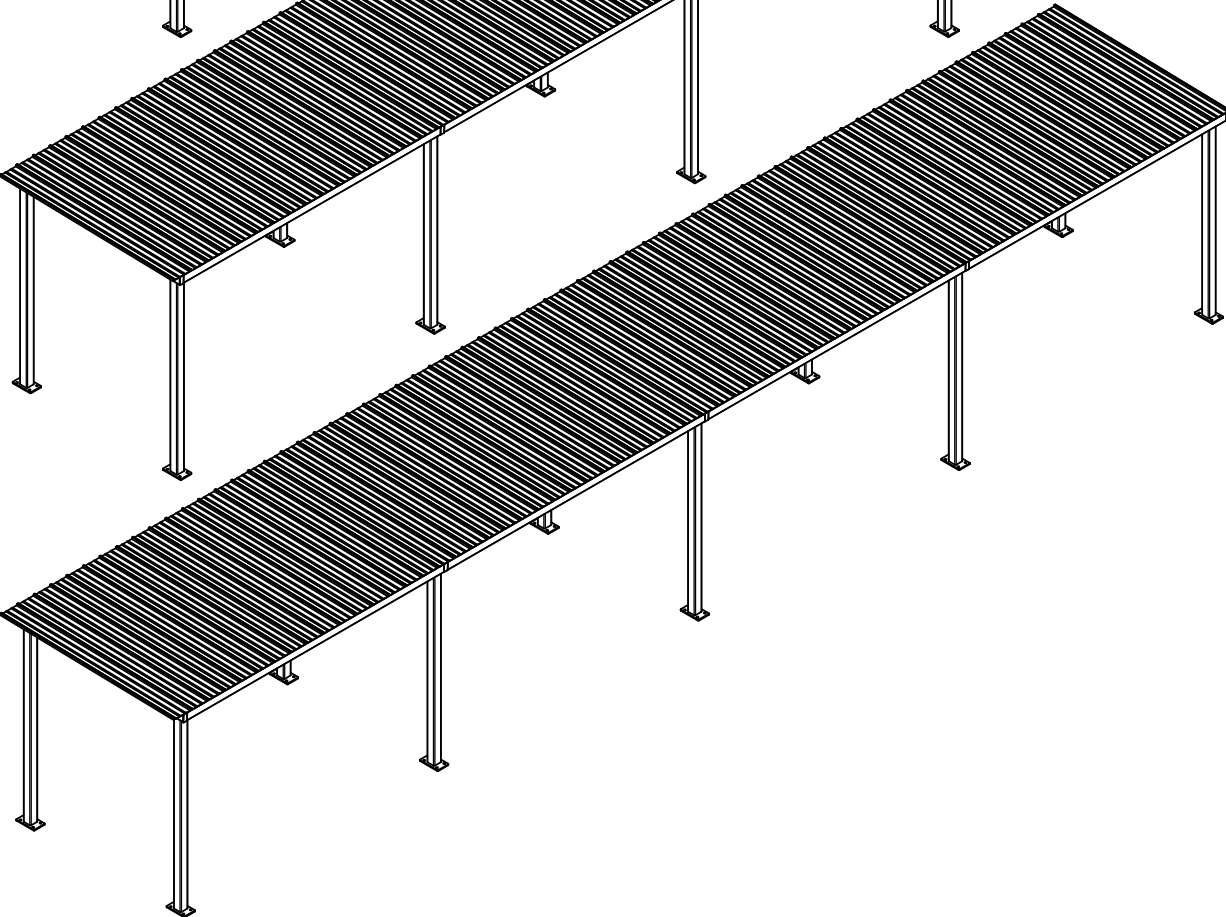
330812



330824



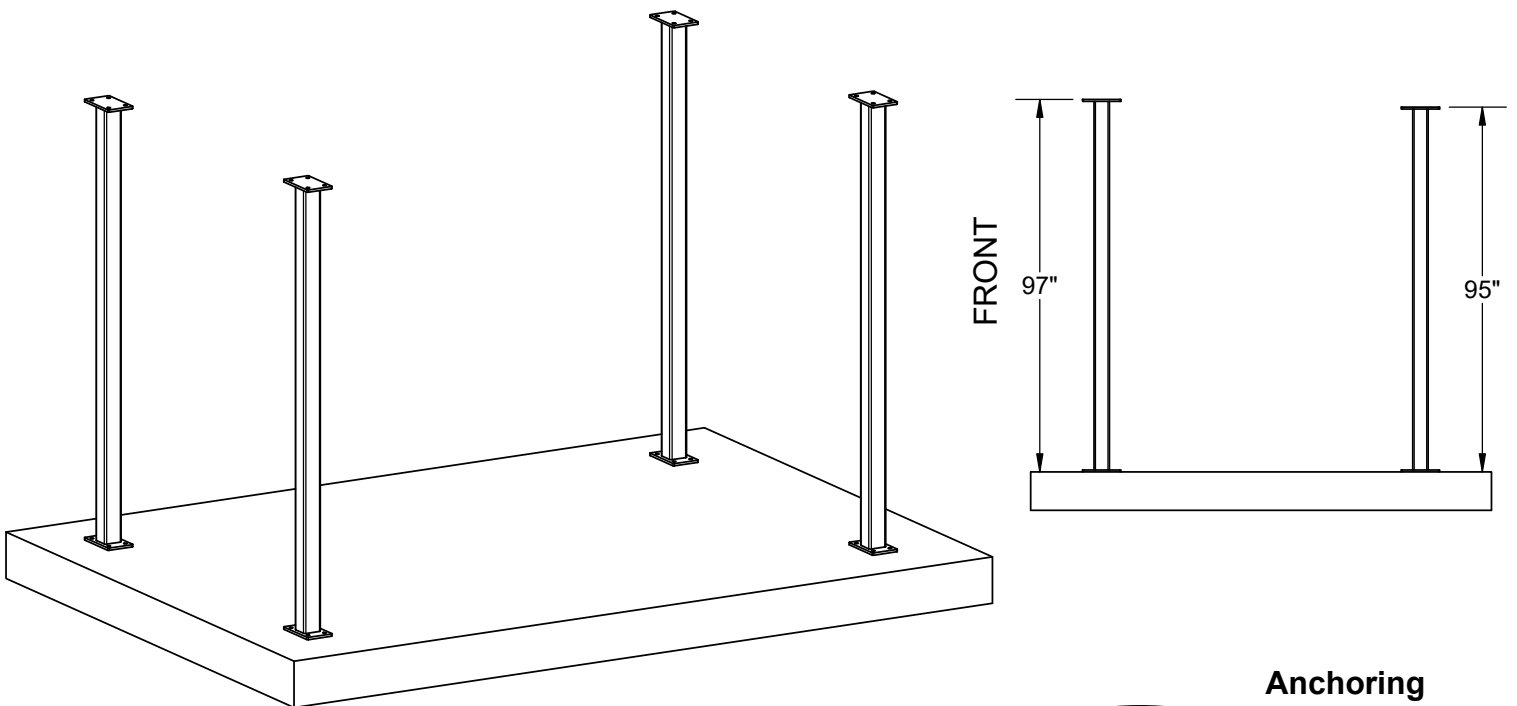
330836



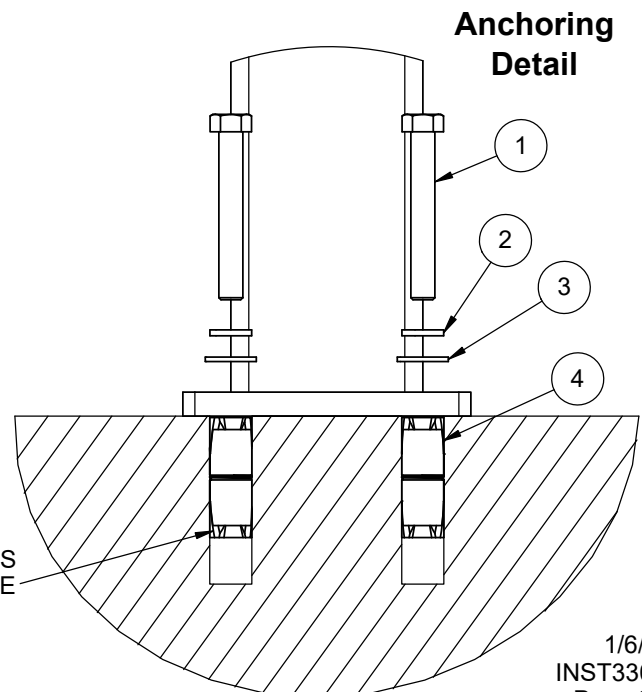
330848

### INSTALLATION INSTRUCTIONS

1. Drill holes in concrete for anchors (See pages 5-8). Clear as much dust as possible from hole. Concrete dust may cause anchors to jam up.
2. Drop anchors into holes, thread side down.
3. Place tall legs over the holes on the front side. Insert hardware to attach legs to anchors, do not tighten.
4. Place short legs over the holes on the back side. Insert hardware to attach legs to anchors, do not tighten.



PART #	DESCRIPTION
1 HDWE011490E0	Hex Head Cap Screw- 1/2-13 X3-1/2 GR 5
2 HDWE040030E0	1/2" Lock Washer
3 HDWE050050E0	1/2" Flatwasher
4 M2875	Concrete Anchor Two-Way Expansion 1/2-13

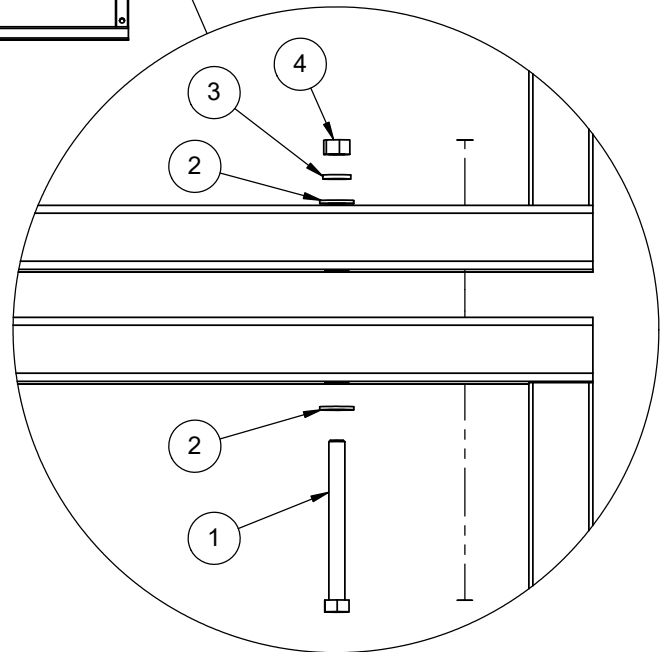
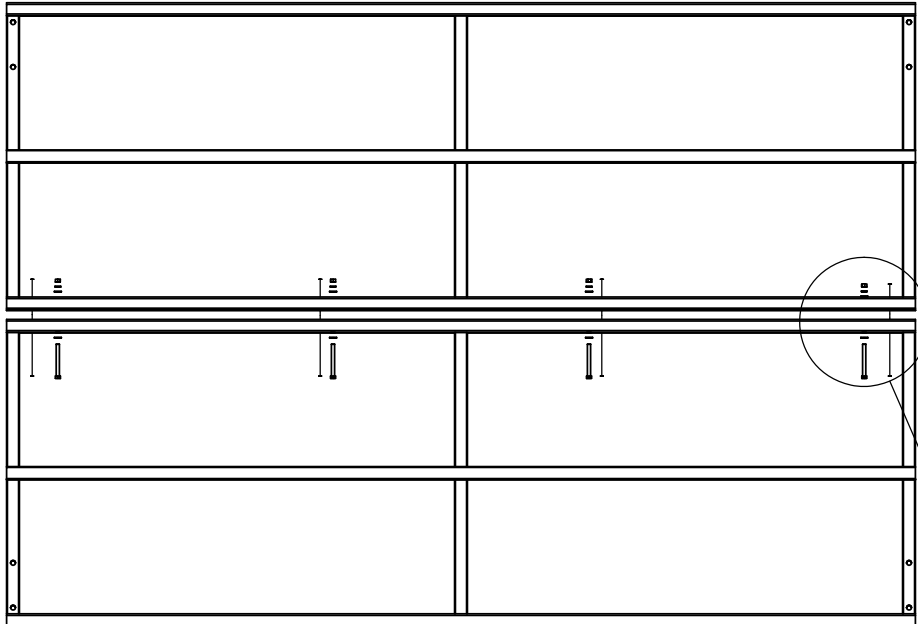




www.gillathletics.com  
800-637-3090

## INSTALLATION INSTRUCTIONS

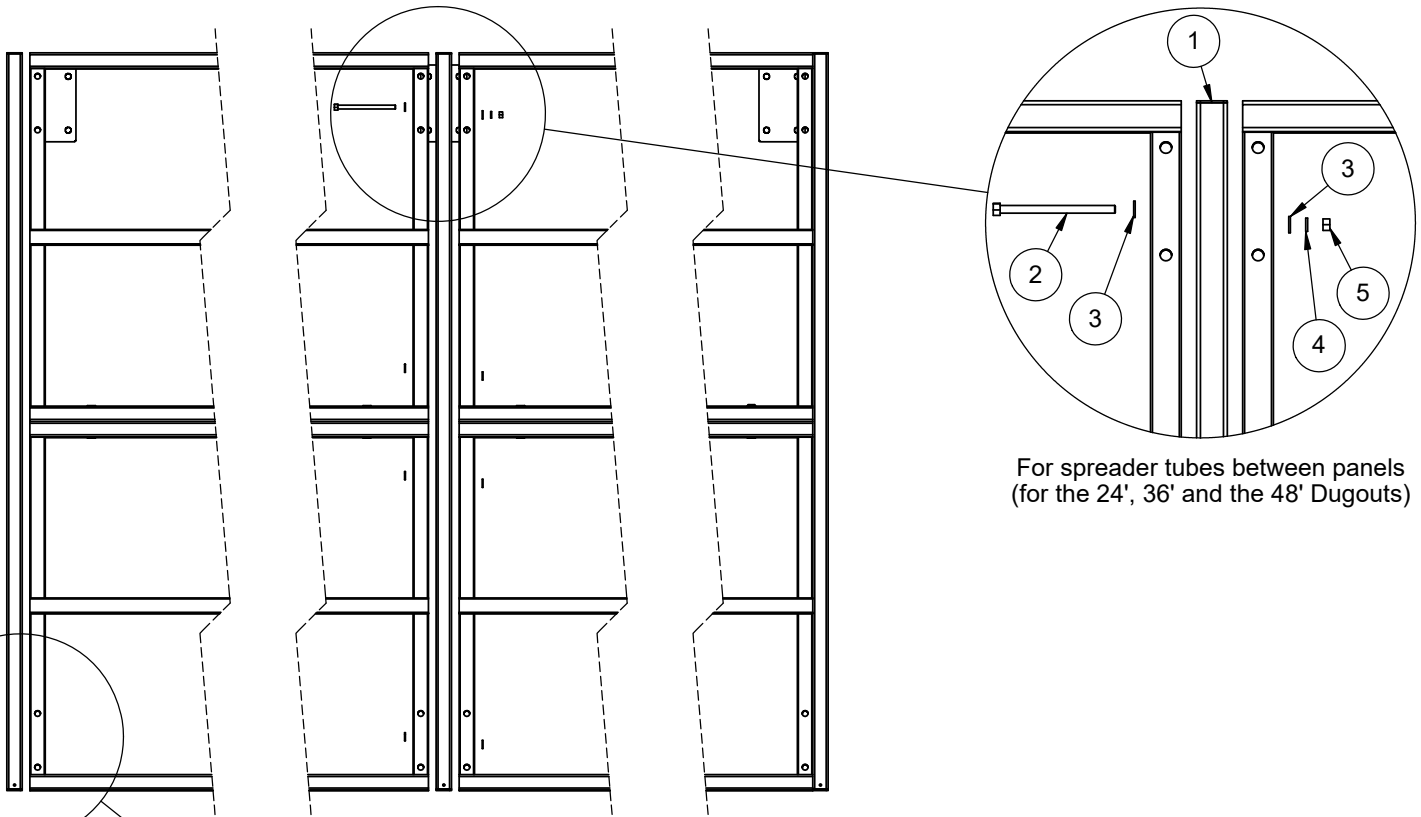
5. Lay out all roofing parts on ground and bolt together each of the panels.
6. Raise assembled panel to the top of the legs and bolt down. Do not tighten.



	PART #	DESCRIPTION
1	HDWE011810E0	Hex Bolt 1/2-13 x 5 GR 5
2	HDWE050050E0	1/2" Flatwasher
3	HDWE040030E0	1/2" Lock Washer
4	HDWE030030E0	Hex Nut 1/2-13

**INSTALLATION INSTRUCTIONS**

7. Position a spreader tube at each end of the panel bolted to the legs and raise a second panel on top of the legs.
8. Bolt panel to legs. Do not tighten.
9. Bolt spreader tubes as shown below
10. Repeat steps 7-9 for any remaining panels.
11. Tighten all bolts to secure dugout.



For spreader tubes between panels  
 (for the 24', 36' and the 48' Dugouts)

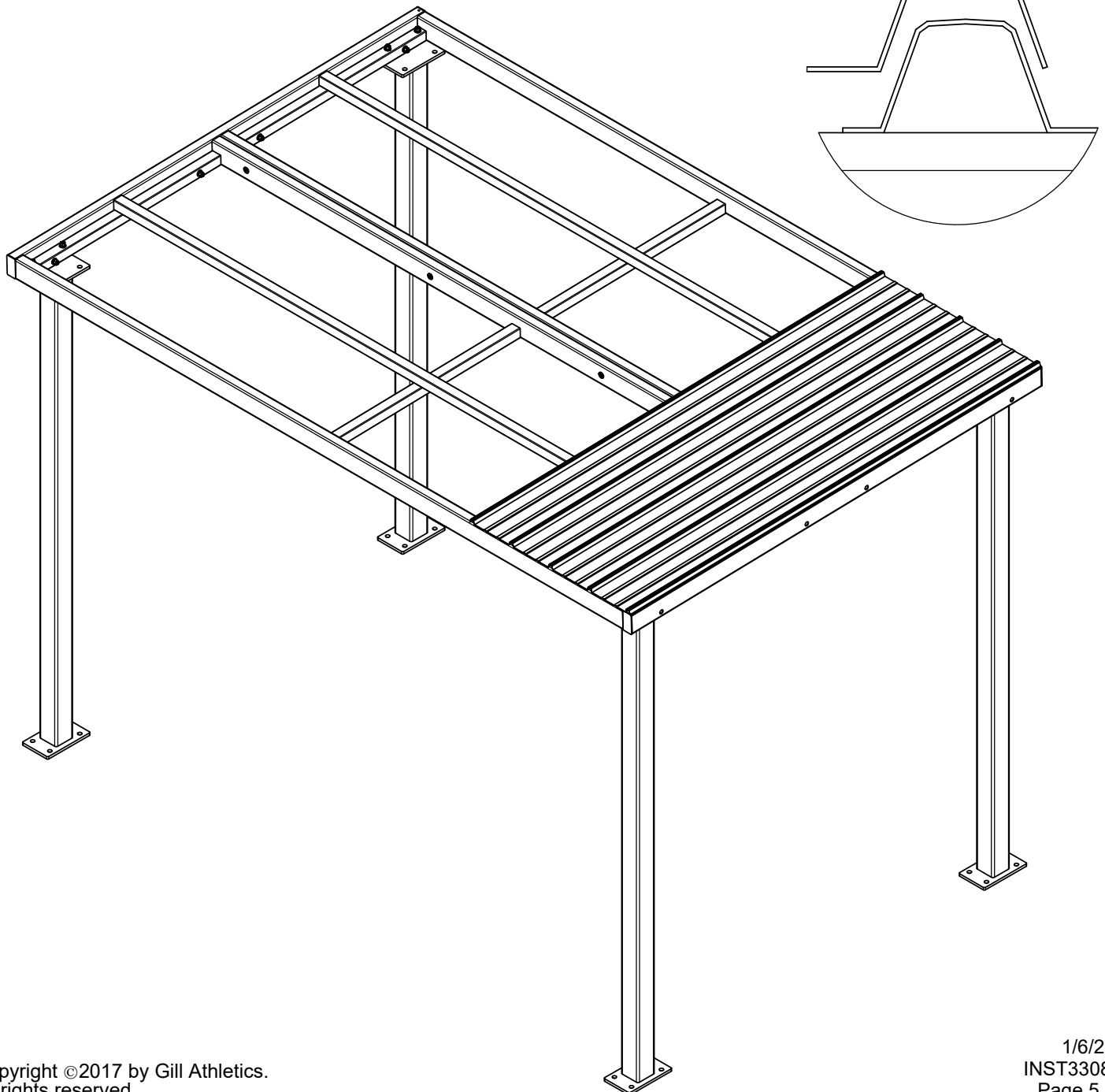
For spreader tubes at either end of the dugout.

	<b>PART #</b>	<b>DESCRIPTION</b>
1	330803	Spreader Tube
2	HDWE012820E0	1/2"-13 X 7-1/2" Hex Head Cap Screw
3	HDWE050050E0	1/2" Flatwasher
4	HDWE040030E0	1/2" Lock Washer
5	HDWE030030E0	Hex Nut 1/2-13
6	HDWE011810E0	Hex Bolt 1/2-13 x 5 GR 5

### **INSTALLATION INSTRUCTIONS**

12. Starting at one end of the dugout, attach the first roof sheet. The roof sheet should be centered between the front and back of the roof frame.
13. Secure the first sheet with the supplied self drilling screws.
14. Continue attaching sheets as you move across the roof frame. Each subsequent sheet should overlap the previous by one (1) rib\*\*.

\*\* ROOF SHEET OVERLAP DETAIL





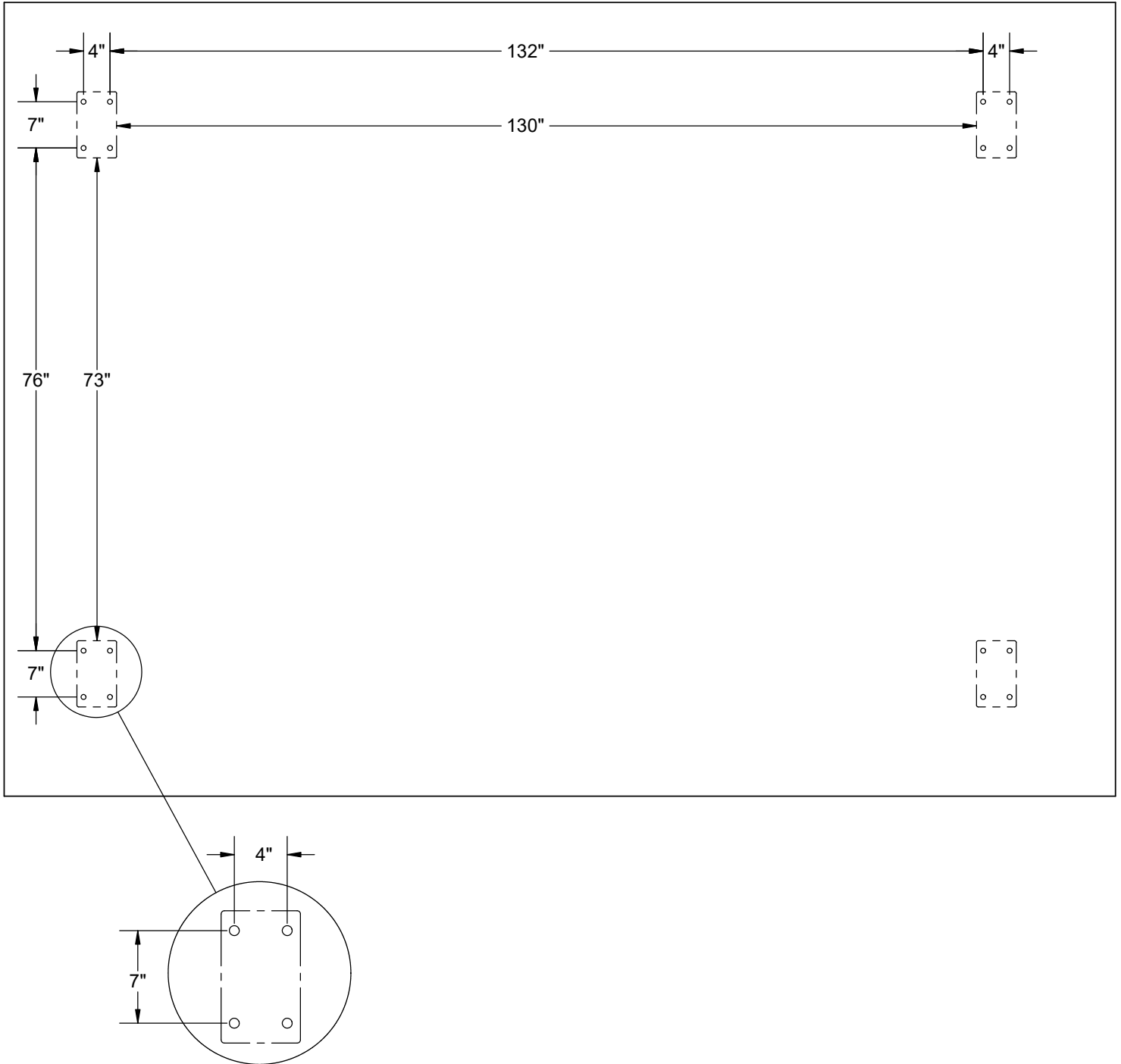
www.gillathletics.com  
800-637-3090

# FIELD SHELTER DUGOUT INSTRUCTIONS

## 3308XX

### 330812 - 12' Dugout

All holes are 7/8" DIA and 3 1/2" deep.



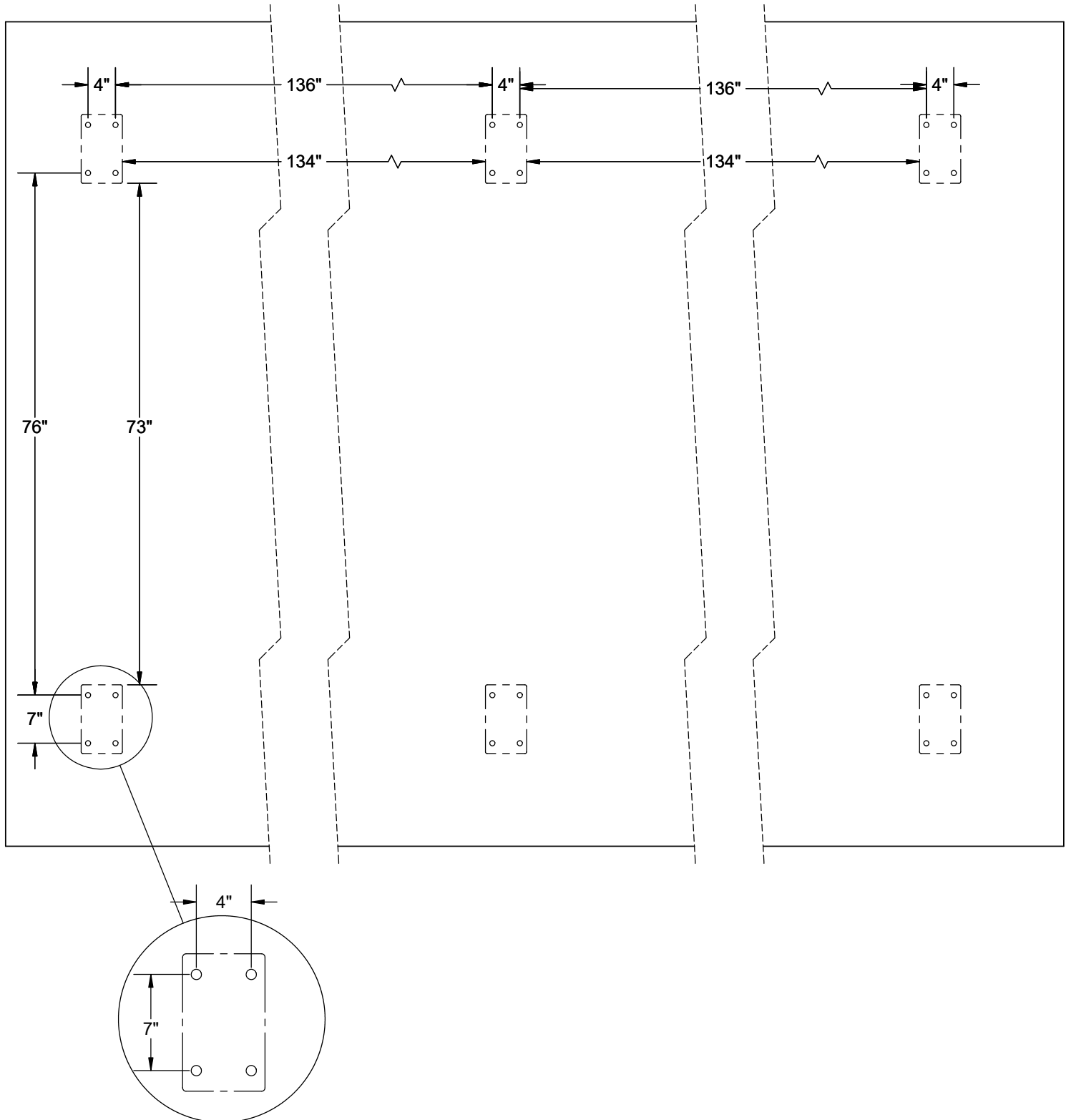


www.gillathletics.com  
800-637-3090

# FIELD SHELTER DUGOUT INSTRUCTIONS 3308XX

330824 - 24' Dugout

All holes are 7/8" DIA and 3 1/2" deep.



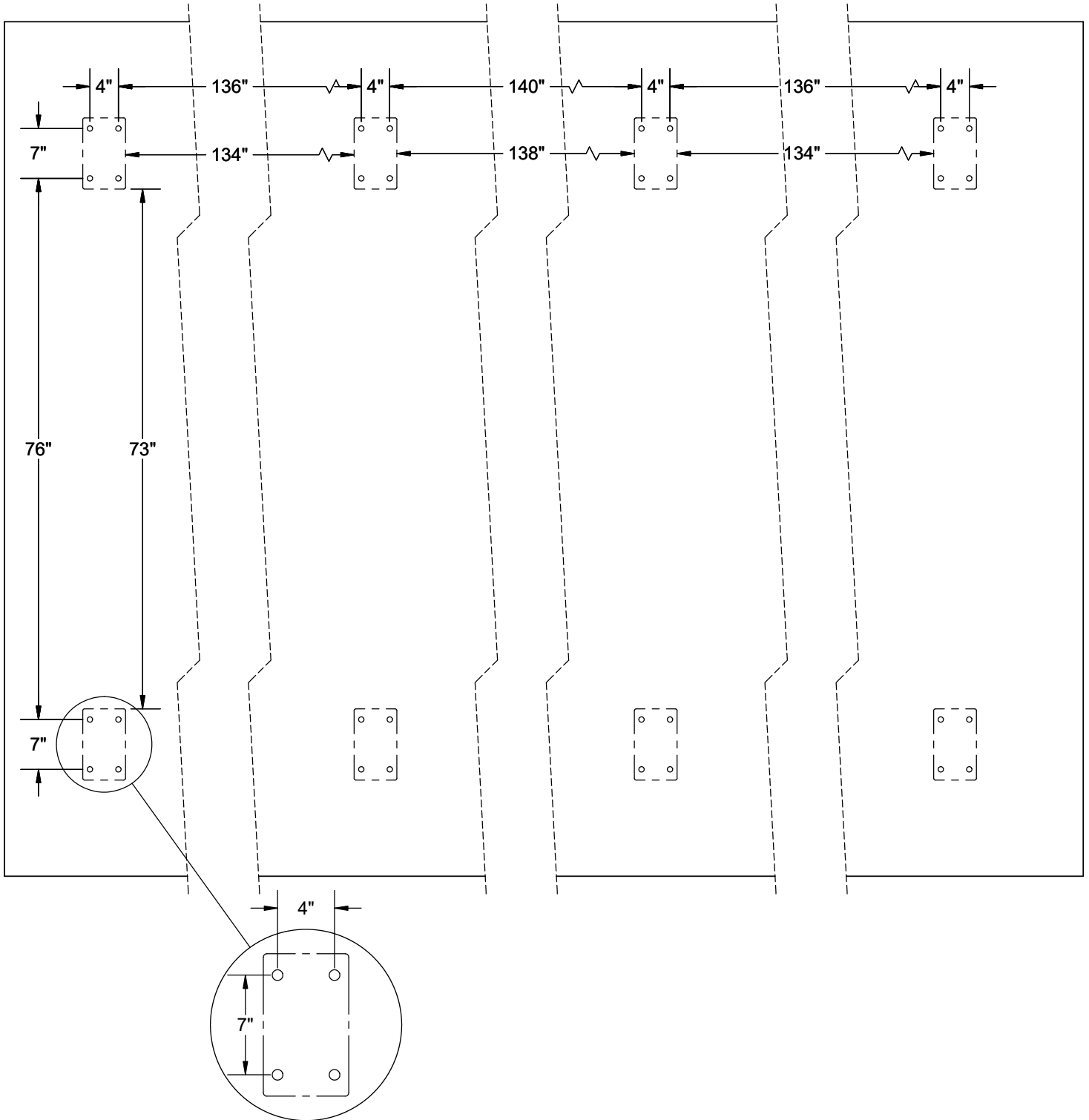


www.gillathletics.com  
800-637-3090

# FIELDHELTER DUGOUT INSTRUCTIONS 3308XX

330836 - 36' Dugout

All holes are 7/8" DIA and 3 1/2" deep.







www.gillathletics.com  
800-637-3090

# FIELD SHELTER DUGOUT INSTRUCTIONS 3308XX

330848 - 48' Dugout

All holes are 7/8" DIA and 3 1/2" deep.

