

NET HEIGHT SETTINGS

AGE GROUPS	FEMALE/REVERSE CO-ED	MALE/CO-ED
70 Years and Above	2.19m (7'-2 1/8")	2.29m (7'-6")
55 Years and Above	2.19m (7'-2 1/8")	2.38m (7-9 5/8")
45 Years and Above	2.19m (7'-2 1/8")	2.43m (7'-11 5/8")
15-18 Years and Under	2.24m (7'-4 1/8")	2.43m (7'-11 5/8")
13-14 Years and Under	2.24m (7'-4 1/8")	2.24m (7'-4 1/8")
11-12 Years and Under	2.13m (7'-0")	2.13m (7'-0")
10 Years and Under	1.98m (6'-6")	2.13m (7'-0")

VOLLEYBALL UPRIGHTS ARE UNIVERSALLY ADJUSTABLE AND
COME PRE-MARKED FOR MEN'S, WOMEN'S, AND 12s

NOTICE

BEFORE rolling this portable volleyball system onto any floor, check with the flooring manufacturer to ensure the finished floor will not be damaged due to the weight of this unit. Each portable can weigh as much as 1,300 pounds.

READ THESE ASSEMBLY AND OPERATING INSTRUCTIONS IN THEIR ENTIRETY BEFORE ATTEMPTING TO UNPACK OR OPERATE THESE PORTABLES.

ALL INSTRUCTIONS AND WARNINGS MUST BE FOLLOWED TO AVOID POSSIBLE INJURIES, OR DAMAGE TO THE EQUIPMENT.

SAFETY INSTRUCTIONS

- Read all instructions before use to avoid potential injury. While it cannot be eliminated, the risk of injuries can be greatly reduced by following proper safety guidelines and providing proper maintenance and safety inspections.
- Improper use of this product can result in serious injury.
- Read all product safety labels before use.
- Upon final set up and prior to use, show any individuals who will operate this unit how to properly operate it, and read the warning labels to them explaining the necessity to follow safe operating procedures. These instructions must be given to an official in charge of the facility for and retained for future reference.
- **IMPORTANT: DO NOT OVER TIGHTEN THE VOLLEYBALL NET, AS DAMAGE TO THE UPRIGHTS MAY OCCUR AND VOID ALL WRITTEN OR IMPLIED WARRANTIES.**

WARNING


- Serious injuries, including permanent paralysis, can occur in volleyball. Such injuries can be caused by falls on the head, neck, and other parts of the body, or by running into unpadded volleyball standards. APPROVED UPRIGHT PADDING IS MANDATORY.
- A high degree of injury potential and severe liability problems exist when players or spectators are allowed to hang, sit, or stand on the portables. UNDER NO CIRCUMSTANCES SHOULD ANYONE OTHER THAN THE REFEREE STAND ON THE PORTABLES. Only stand on the referee side portable; do not stand on the winch side portable.
- Never remove any ballast plates from the portables.

CAUTION

- Uprights are equipped with a spring counterbalance mechanism; release the Pressure-Lock Assembly ONLY WHEN UPRIGHT IS IN THE VERTICAL PLAY POSITION.
- Cable tension MUST be released before adjusting the net height; failure to do so may cause personal injury and/or damage to the equipment.
- Never attempt to release the Pressure-Lock Assembly if the net is under tension.
- When raising or lowering the portables, stand to one side and keep all other individuals clear. Keep hands and feet away from all pinch or crush points. CONFIRM THAT THE ADJUSTMENT PIN LOCKS INTO POSITION WHEN RAISING THE UNIT UP.

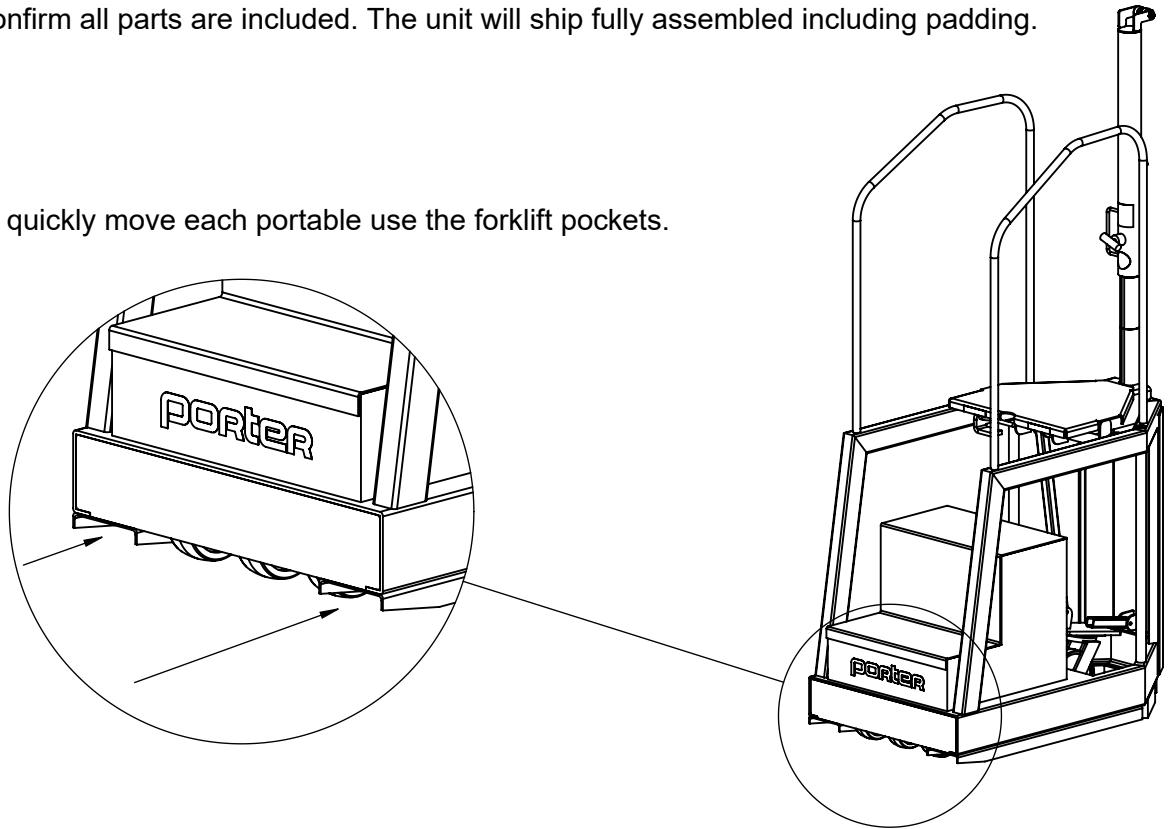
NOTICE

- Inspect this equipment for wear, loose fittings, damage, and proper stability before each use. REPLACE DEFECTIVE OR WORN PARTS IMMEDIATELY; IF IN DOUBT, DO NOT USE THIS EQUIPMENT UNTIL REPAIRED! Check the Pressure-Lock Assembly for wear and to ensure it is functioning properly.
- Lubricate the threaded studs on the Pressure-Lock Assembly and tension the winch periodically (at least twice a year) to minimize wear and to ensure proper operation.
- The operation and transport of these portables must be done by authorized personnel only.
- Under no circumstances should the portables be stored in the transport position. Prevent any use of the portables by unauthorized individuals while in storage.

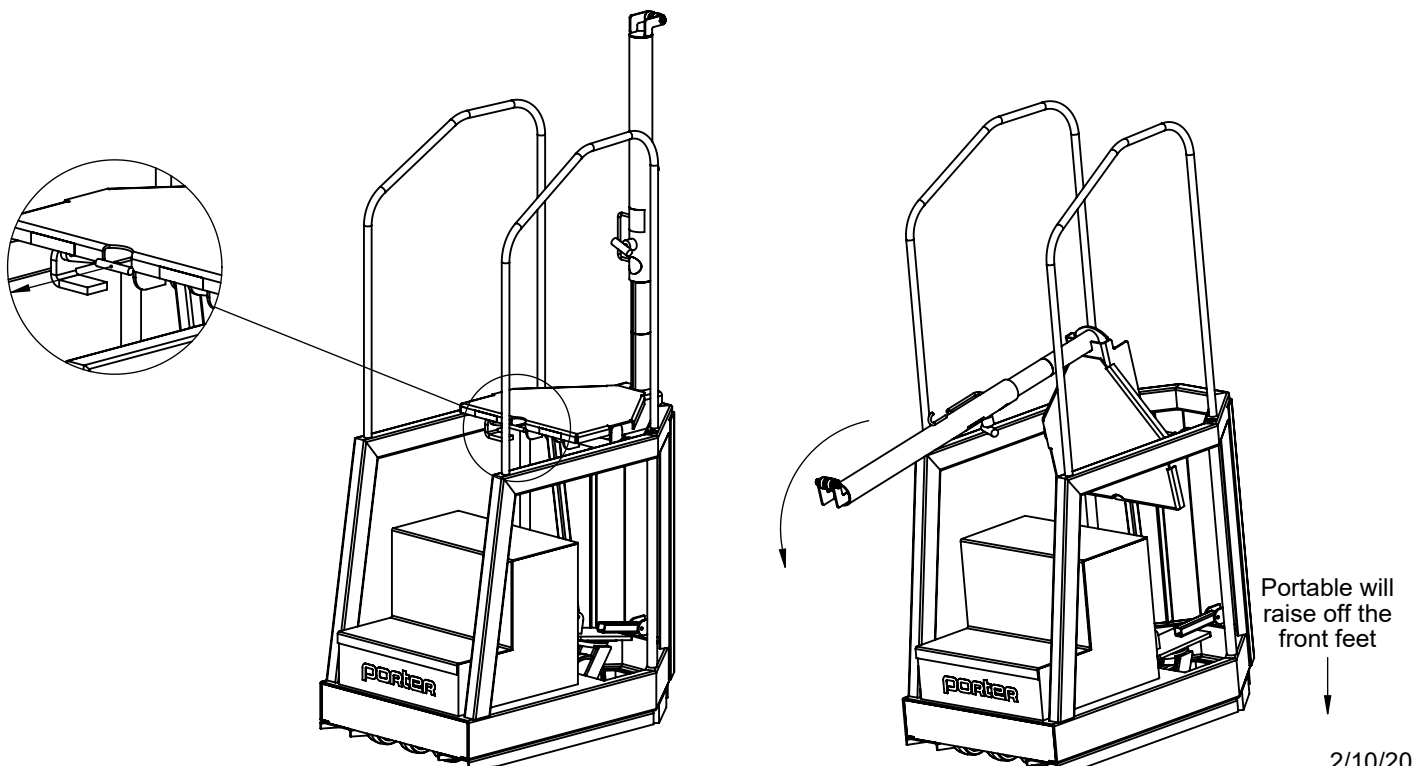
 **WARNING:** Cancer and Reproductive Harm –
For more information go to www.p65warnings.ca.gov

1. Unpack and confirm all parts are included. The unit will ship fully assembled including padding.

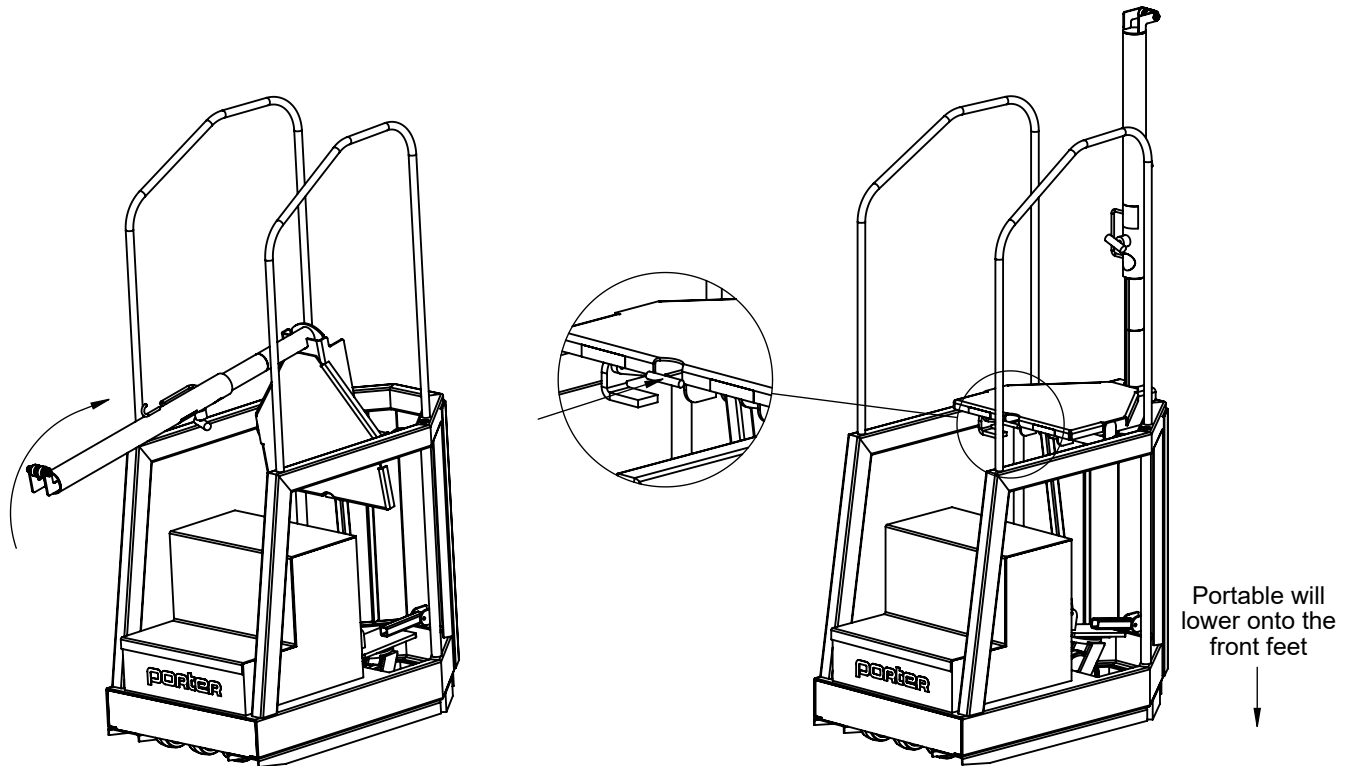
2. To unload and quickly move each portable use the forklift pockets.



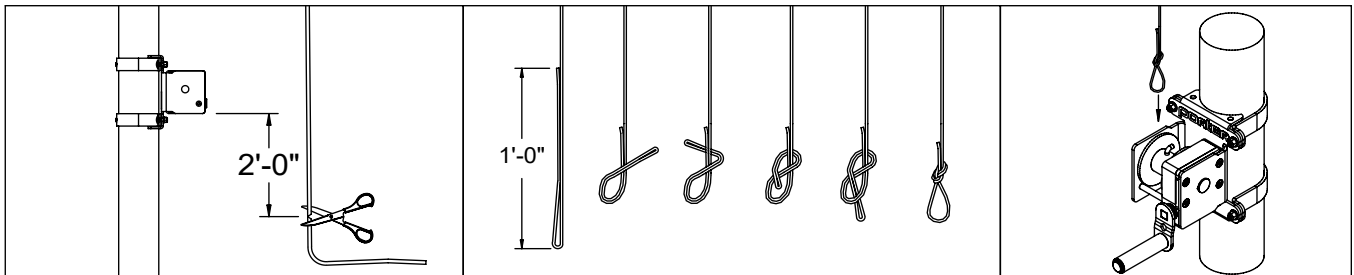
3. To move the portable from the play position to the transport position pull the adjustment pin and tip the upright pole back.



4. Once in position, rotate the upright pole back up. Confirm that the adjustment pin locks into position.



5. With the portables in place on the court, attach the net using the instructions provided in the net box.



6. Adjust net to the desired height with the pressure-locking T-handle.

