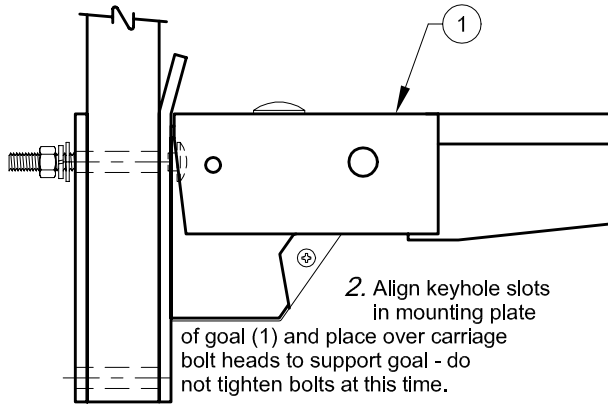
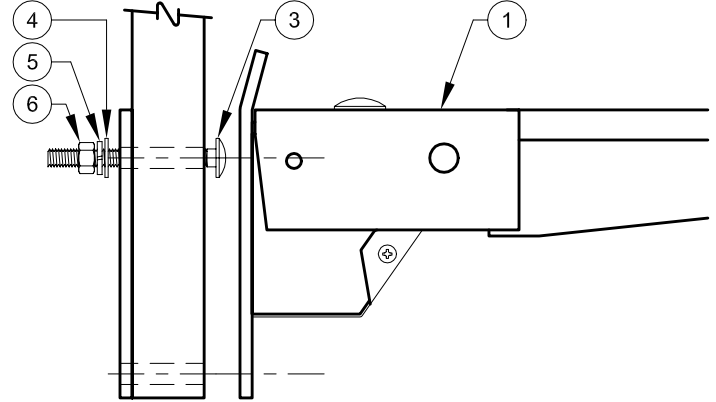


No. 245 ULTRA-FLEX® GOAL MOUNTING INSTRUCTIONS

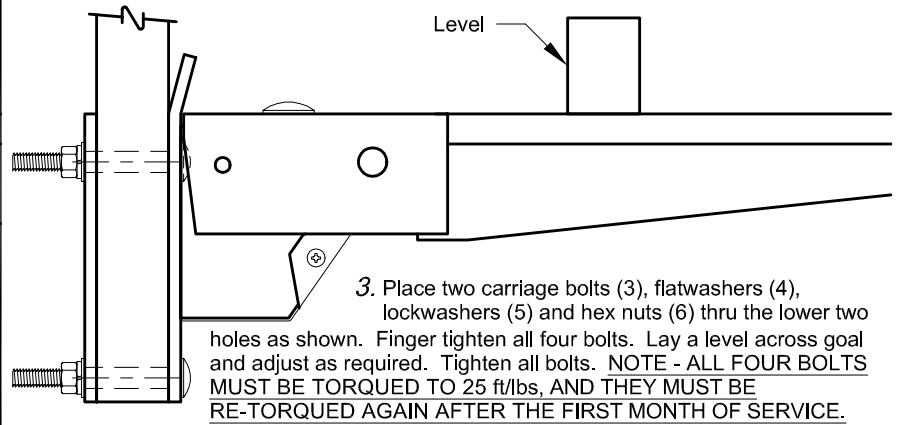
IMPORTANT NOTE - REMOVAL OF COVER IS NOT NECESSARY FOR INSTALLATION

PARTS LIST		
No.	Qty.	DESCRIPTION
1	1	GOAL ASSEMBLY
2	1	NET
3	4	3/8" x 3-1/2" Lg. CARRIAGE BOLT (Grade 5)
4	4	3/8" FLATWASHER
5	4	3/8" LOCKWASHER
6	4	3/8" HEX NUT
7	4	THREAD PROTECTOR
8	1	WIRE NET SUPPORT
9	1	1/4" x 1/2" Lg. MACHINE SCREW

1. Place two carriage bolts (3), flatwashers (4), lockwashers (5) and hex nuts (6) loosely as shown thru the upper two holes of the backboard (and direct-mount feature if applicable).

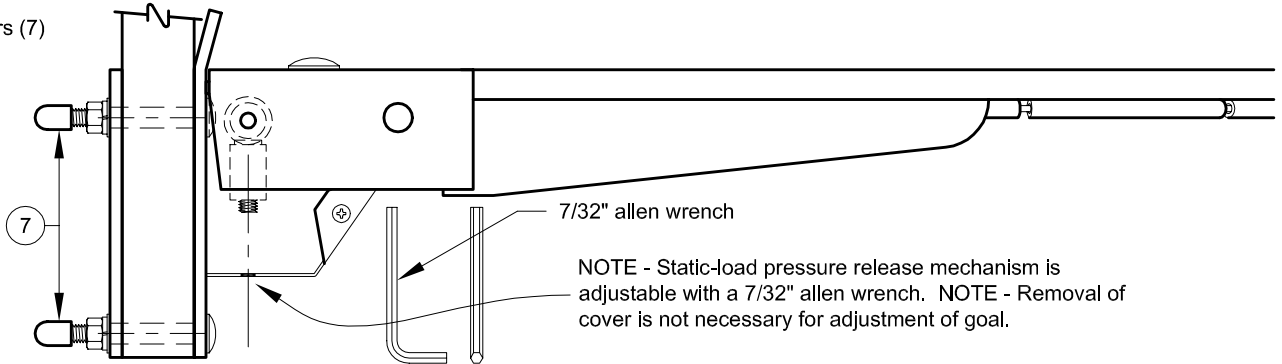


2. Align keyhole slots in mounting plate of goal (1) and place over carriage bolt heads to support goal - do not tighten bolts at this time.



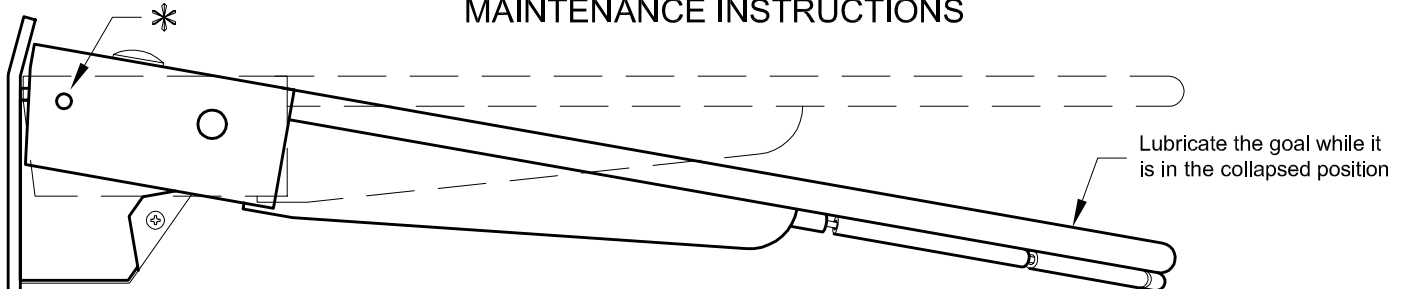
3. Place two carriage bolts (3), flatwashers (4), lockwashers (5) and hex nuts (6) thru the lower two holes as shown. Finger tighten all four bolts. Lay a level across goal and adjust as required. Tighten all bolts. **NOTE - ALL FOUR BOLTS MUST BE TORQUED TO 25 ft/lbs, AND THEY MUST BE RE-TORQUED AGAIN AFTER THE FIRST MONTH OF SERVICE.**

4. Place thread protectors (7) over all four bolt ends.



NOTE - Static-load pressure release mechanism is adjustable with a 7/32" allen wrench. NOTE - Removal of cover is not necessary for adjustment of goal.

MAINTENANCE INSTRUCTIONS

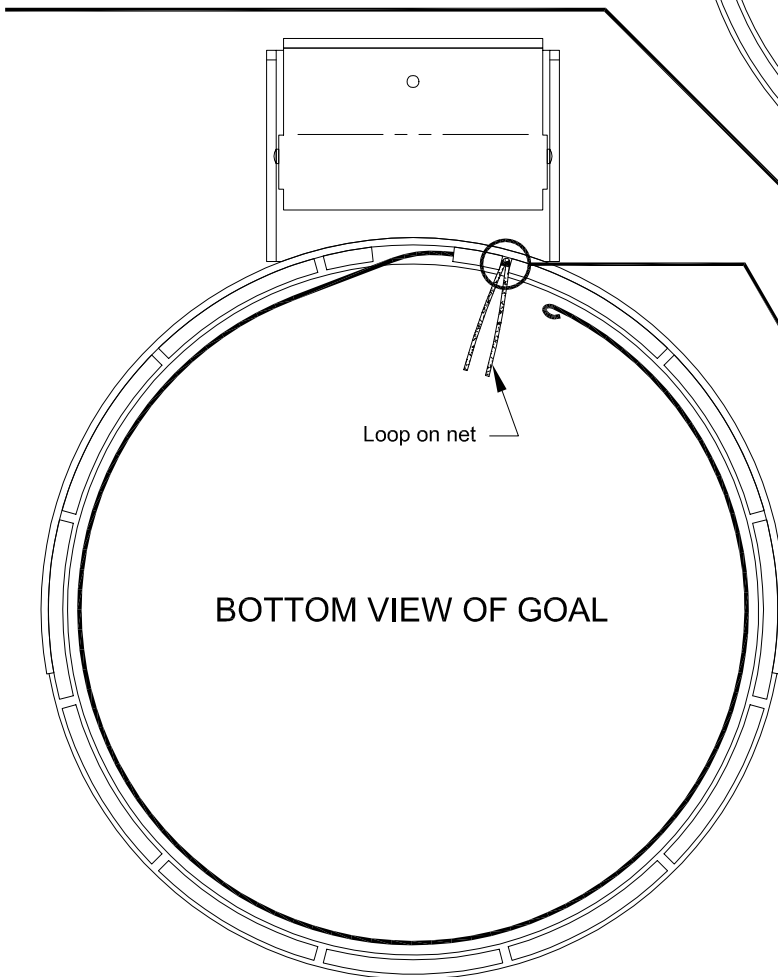
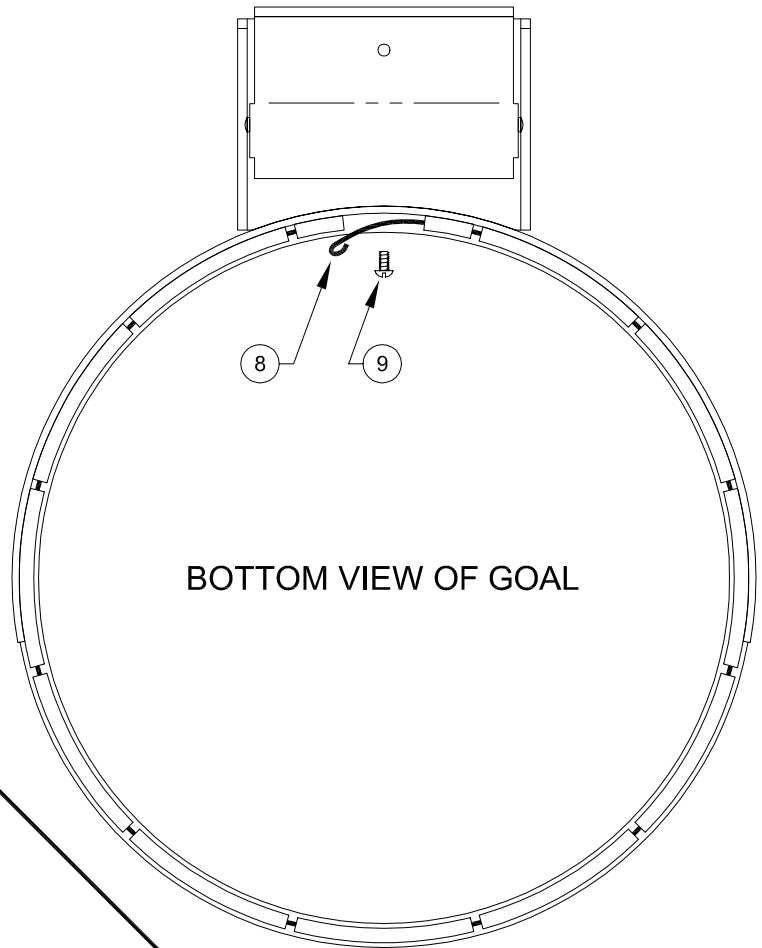


* At the beginning of each season, add a small amount of silicone gel lubricant to the ball bearing latches, located on each side of the goal as indicated. This should be done while the goal is in the collapsed position. Work the goal several times and remove any excess. Second, check all mounting bolts to ensure they are torqued to the proper tightness as indicated above, in Step No. 3.

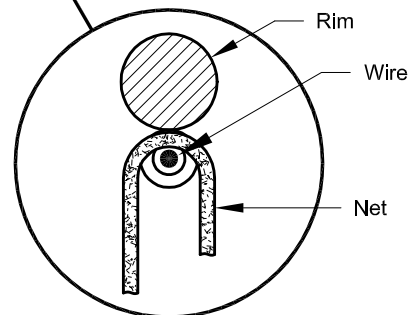
THE OWNER OF THIS EQUIPMENT MUST SAVE THESE INSTRUCTIONS FOR FUTURE REFERENCE

INSTALLATION OF NET ON No. 245 ULTRA-FLEX® GOALS

1. Remove machine screw (9) in front of goal housing and carefully pull formed wire net support (8) entirely out of rim (if required).



2. As net support wire is replaced, carefully insert net loops in corresponding notches in support tube so that wire passes through the net loops.
3. Replace machine screw loop in net support wire.



PORTER®

Porter Athletic Equipment Company

2500 South 25th Avenue, Broadview, IL U.S.A., 60155

Toll Free: (800) 947-6783 • Phone: (708) 338-2000 • Fax: (708) 338-2060

www.w.porter-ath.com