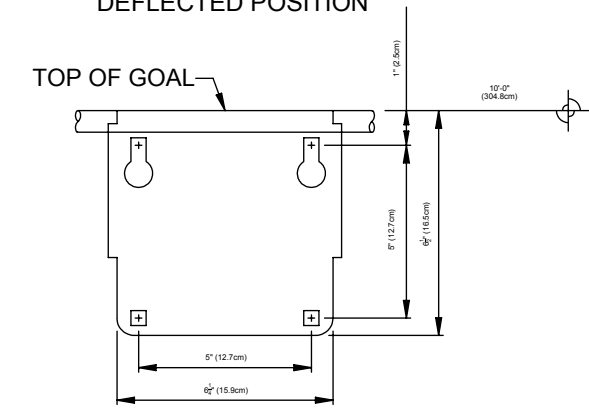
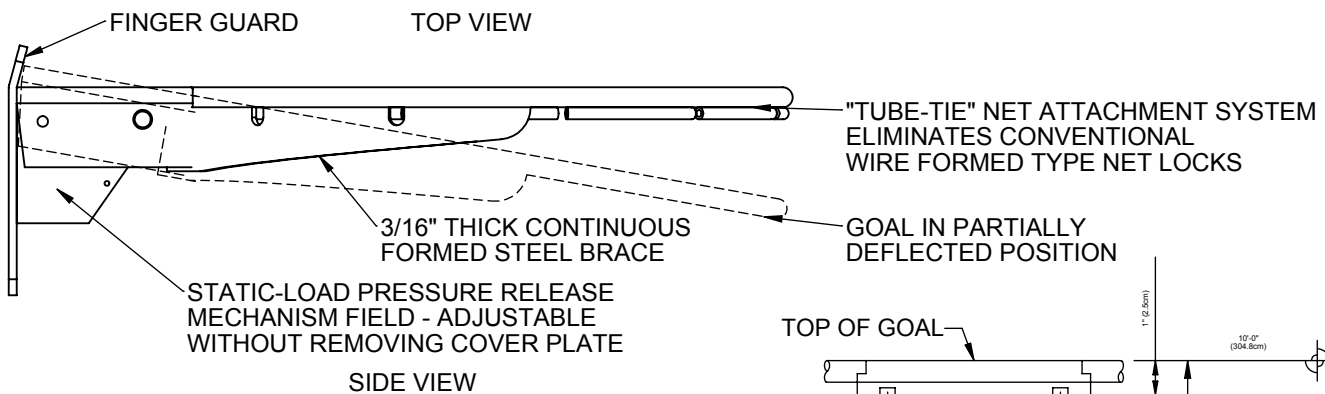
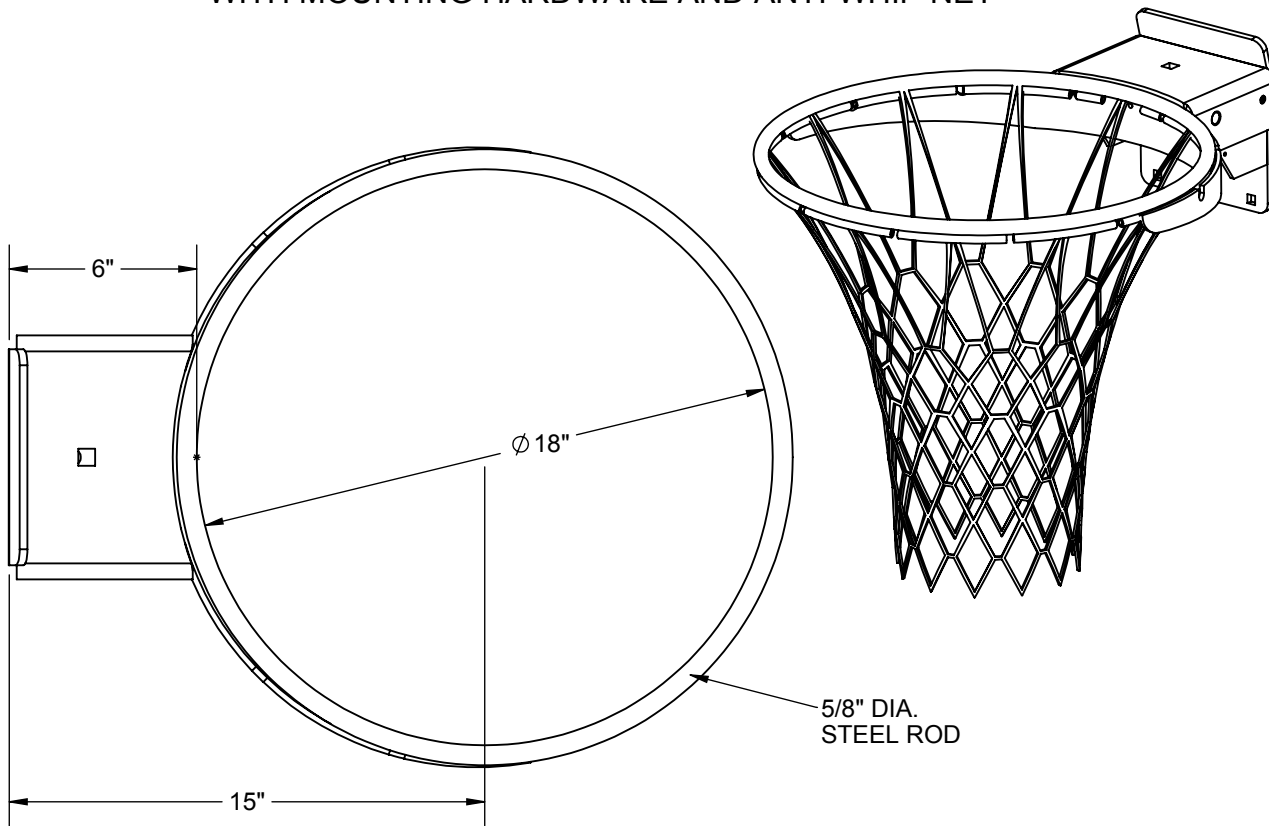


# 00245600 - ULTRA-FLEX GOAL

WITH MOUNTING HARDWARE AND ANTI-WHIP NET



**GOAL MOUNTING PLATE DETAIL  
(VIEW FROM BACKSIDE)**

NOTE: GOAL INSTALLS WITH MOUNTING HARDWARE PROVIDED, WITHOUT REMOVING COVER

PARTS LIST		
NO.	QTY.	DESCRIPTION
1	1	GOAL00057007 GOAL ASSEMBLY
2	1	09608000 ANTI-WHIP NET
3	4	HDWE020400E0 3/8"x 3 1/2" LG. CARRIAGE BOLT (GRADE 5)
4	4	HDWE050040E0 3/8" FLATWASHER
5	4	HDWE040020E0 LACKWASHER
6	4	HDWE030020E0 3/8" HEX NUT
7	4	PCAP00040002 3/8" THREAD PROTECTOR
8	1	ROND00123100 NET ATTACHMENT CABLE
9	1	HDWE060490E0 1/4" x 1/2" LG. MACHINE SCREW

- 00245600 WITH MOUNTING HARDWARE AND ANTI-WHIP NET  
SEE B-200 FOR COMPATABLE BACKBOARDS

# 00245600 - ULTRA-FLEX GOAL

WITH MOUNTING HARDWARE AND ANTI-WHIP NET

## SPECIFICATIONS

Goal shall be designed to absorb shock loads due to slam dunking or hanging on the rim.

Goal shall incorporate a positive lock, pressure release mechanism which is preset to provide rebound characteristics identical to those of a non-movable ring. Static-load pressure release mechanism shall be field-adjustable without removing the cover plate. After release and with the load no longer applied, the ring shall return automatically and instantaneously to the original, playing position.

Rim shall be fabricated from 5/8" diameter cold drawn alloy steel, round formed to an 18" inside diameter ring. Inside diameter of ring shall be positioned 6" from face of backboard by a heavy, formed steel, hinged type housing with a formed steel cover.

Rim shall be rigidly braced by means of a 3/16" thick steel formed and die cut steel brace welded in position on the underside of the rim for maximum support. Rim shall be provided with a unique "tube-tie" net attachment system to eliminate the conventional wire-formed type net locks for additional player safety.

Goal shall be finished in a durable, official orange powder-coat finish. Durable, anti-whip type net and attachment hardware included. Goal may be easily mounted to a backboard/direct mount system with a special slotted mounting system without removing the housing cover.

Goal to be provided with standard mounting centers for attachment to any 4'-0" x 6'-0" rectangular backboard, or fan-shaped backboard, with 5" x 5" goal mounting hole pattern.

For details on compatible backboards see B-200.

## WARRANTY

- 245 goals furnished with a 5-year limited warranty.

## OPTIONAL ITEMS (SEE SPECIFICATION SHEETS FOR DETAIL)

- Fair-Court<sup>®</sup> Basketball Rim Testing System (ERT2003NCAA or ERT2003FIBA)