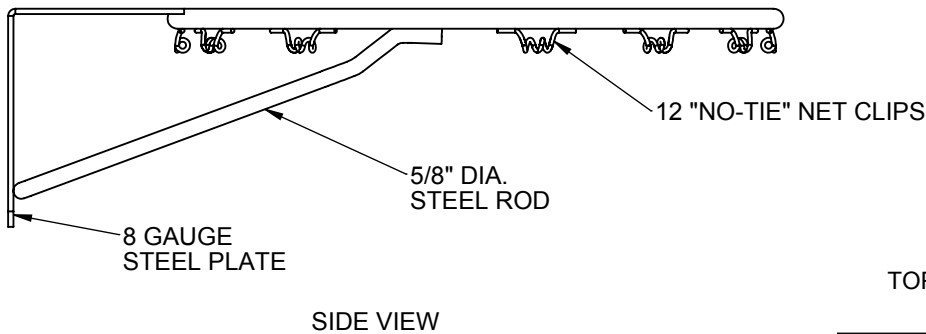
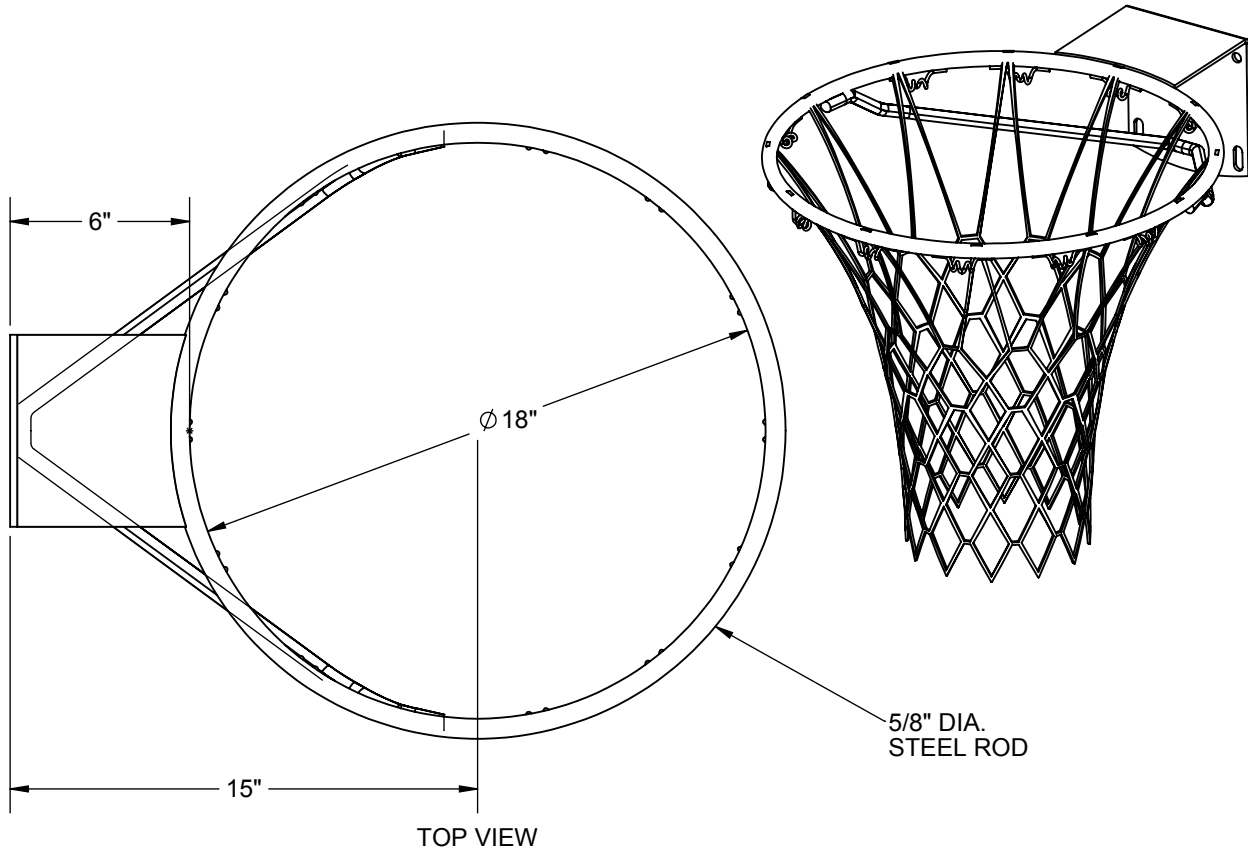
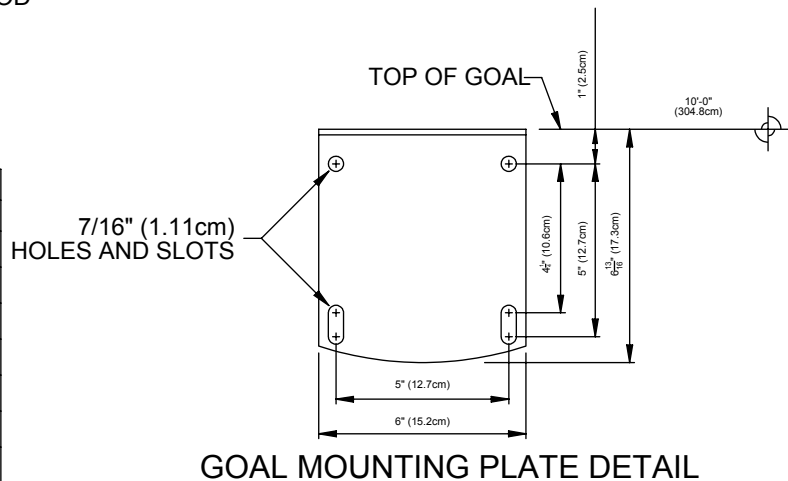


00235000 - SUPER GOAL (HIGH STRENGTH)

WITH MOUNTING HARDWARE AND NET



PARTS LIST		
NO.	QTY.	DESCRIPTION
1	1	GOAL00012007 GOAL - ORANGE
2	1	NETS00001000 WHITE NYLON NET
3	4	HDWE012170E0 3/8"x 3 1/2" LG. HEX HEAD TAP BOLT (GRADE 5)
4	4	HDWE050040E0 3/8" FLATWASHER
5	4	HDWE040020E0 LACKWASHER
6	4	HDWE030020E0 3/8" HEX NUT
7	4	PCAP00040002 3/8" THREAD PROTECTOR



- 00235000 WITH MOUNTING HARDWARE AND NET
SEE B-200 FOR COMPATABLE BACKBOARDS

00235000 - SUPER GOAL (HIGH STRENGTH)

WITH MOUNTING HARDWARE AND NET

SPECIFICATIONS

Rim shall be fabricated from 5/8" diameter high strength cold drawn alloy steel round formed to an 18" inside diameter ring. Inside of ring shall be positioned 6" from face of backboard by heavy, L-shaped, formed steel mounting plate with 5" x 5" mounting hole centers for front mounting on standard glass, wood and fiberglass type backboards.

Rim shall be rigidly braced by means of a 5/8" diameter high strength cold drawn alloy steel round formed and welded in position for maximum support. Rim shall be provided with twelve "no-tie" net attachment clips for net attachment.

Goal assembly shall be capable of supporting up to an 800 pound load on outer edge of the rim and under extreme dynamic loading shall flex or deflect downward up to 2-3/4" without permanent set or deformation.

Goal shall be finished in a durable, official orange powder-coat finish.

Goal shall be furnished complete with a high quality white nylon net and plated mounting hardware. Mounting bolts shall be SAE Grade 5.

For details on compatible backboards see B-200.

WARRANTY

- 235 goals furnished with a 1-year limited warranty.