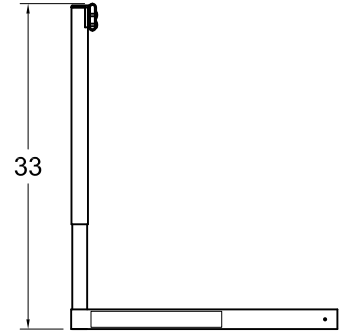
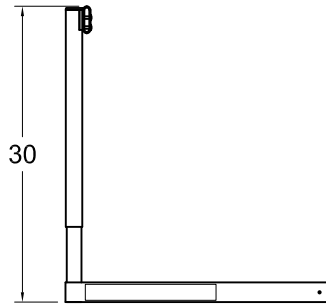
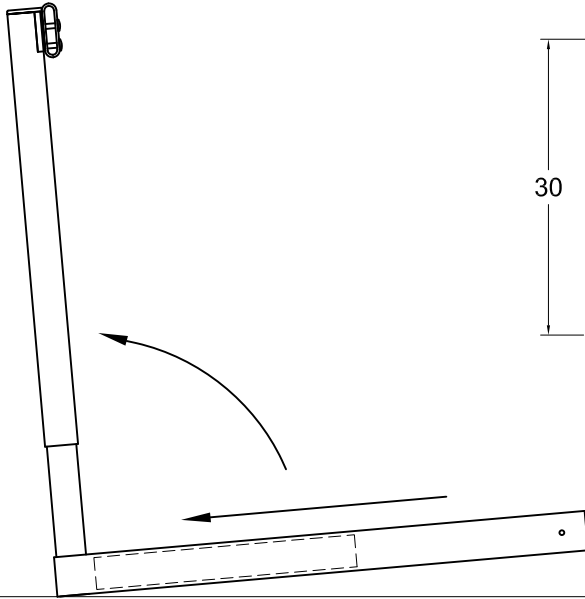


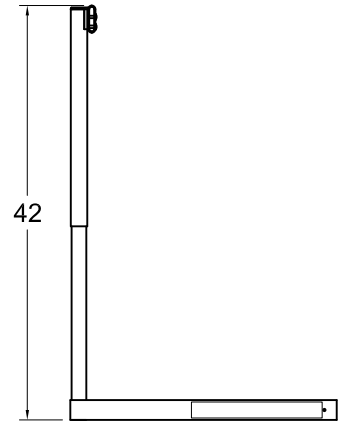
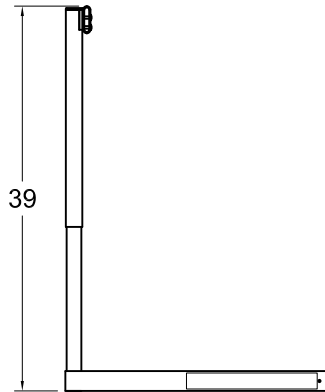
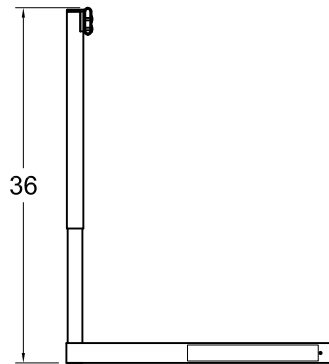
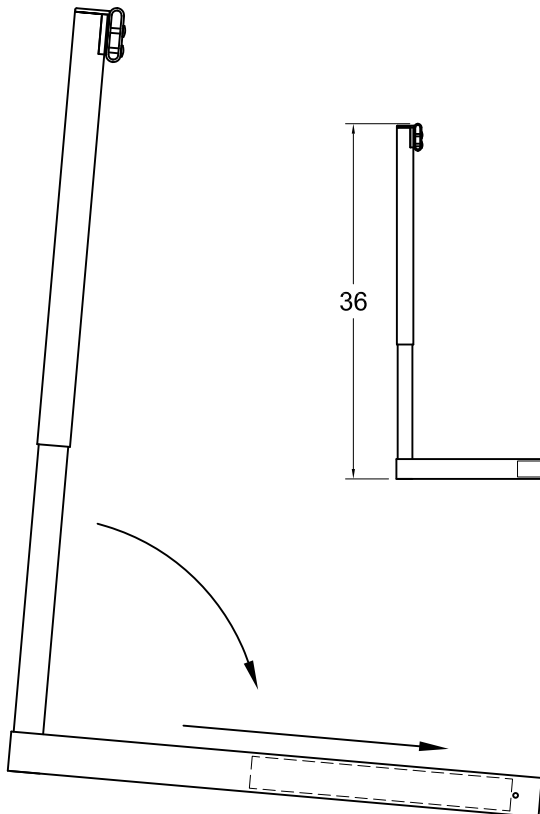


www.gillathletics.com  
800-637-3090

# 4060 - G4 HURDLE ASSEMBLY INSTRUCTIONS



At the two lowest height settings, 30" and 33", tip the hurdle forward so that the leg weights slide to the front of the hurdle.

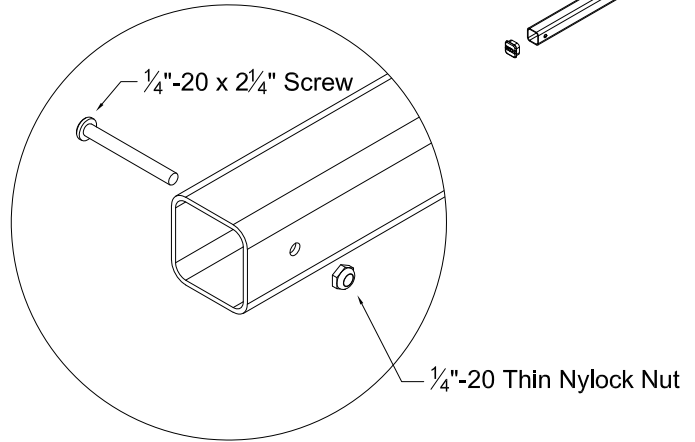
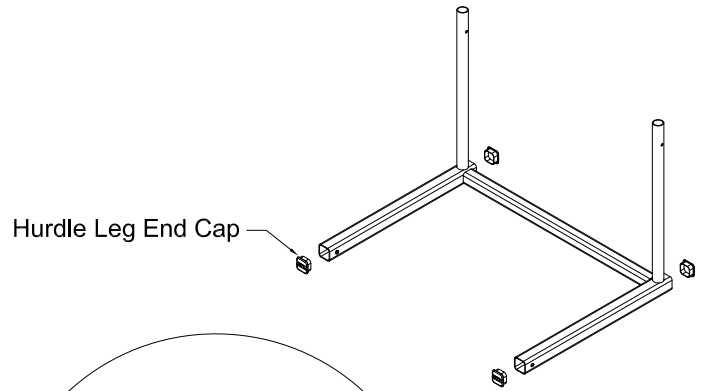
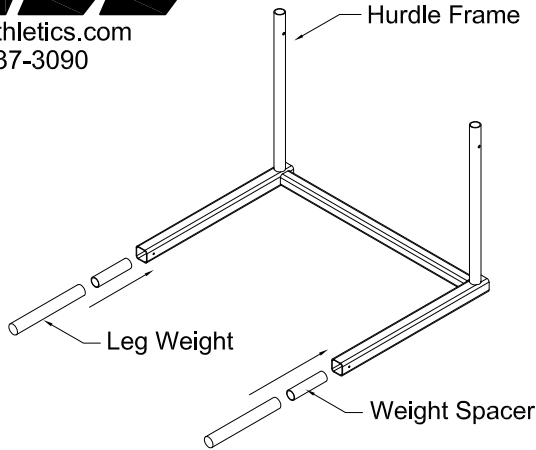


At the three highest height settings, 36", 39", and 42", tip the hurdle back so that the leg weights slide to the back of the hurdle.



www.gillathletics.com  
800-637-3090

# 4060 - G4 HURDLE ASSEMBLY INSTRUCTIONS



	Description	Qty	Part #	
1	Hurdle Frame	1	406070	
2	Leg Weight	2		
3	Hurdle Leg End Cap	2		
4	1/4"-20 x 2 1/4" Screw	2		
5	1/4"-20 Thin Nylock Nut	2		
6	Weight Spacer	2		
7	Gate Tube Cap	2	REPL00041	
8	Plastic Countersunk Washer	4		
9	1/4"-20 x 1 1/2" Flat Head Screw	4		
10	1/4"-20 Hex Nut	4		
11	Saddle Bracket	2		
12	Gate Tube	2		P40344
13	Spring Button, Hurdle	2		M1278
14	41" Gateboard	1		P40346

