

*LifeFitness*

**MANUFACTURED BY:**

Indoor Cycling Group GmbH  
Happurger Str. 86  
90482 NUERNBERG | Germany  
[info@indoorcycling.com](mailto:info@indoorcycling.com)  
[www.indoorcycling.com](http://www.indoorcycling.com)  
Phone: +49(0)911 / 54 44 50

# IC5

**MODEL NO:IC-LFIC5B2-01**



## CAUTION!

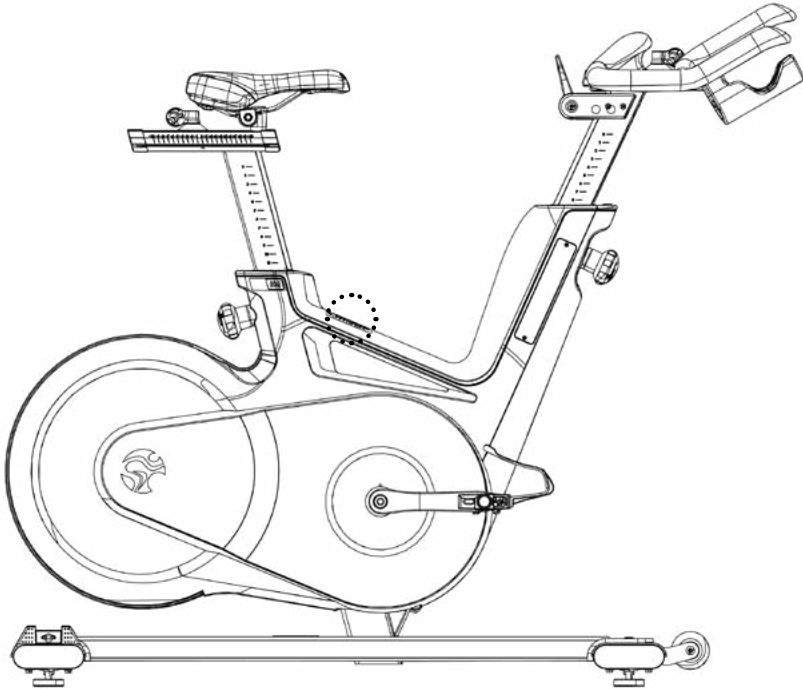
READ ALL PRECAUTIONS AND INSTRUCTIONS IN THIS MANUAL BEFORE YOU START USING THIS EQUIPMENT. PLEASE KEEP THIS MANUAL FOR FUTURE REFERENCE. IMPROPER ASSEMBLY, USE OR MAINTENANCE CAN VOID THE WARRANTY TERMS.

ADDITIONAL LANGUAGES AVAILABLE FOR DOWNLOAD AT [WWW.INDOORCYCLING.COM](http://WWW.INDOORCYCLING.COM)

Version 1.0 2017 IC-LFIC5B2-01 Copyright by Indoor Cycling Group GmbH 2017 | [www.indoorcycling.com](http://www.indoorcycling.com)



# ATTENTION



During the assembly process, the warning labels on the bikes must be replaced by warning labels in the native language of the country in which the indoor cycle is being used.



# ATTENTION



EN

To download the owners manual in your language, visit the IC5 support section at: [www.teamicg.com](http://www.teamicg.com)



DE

Um das Handbuch in Ihrer Sprache herunterzuladen, besuchen Sie bitte den IC5 Support Bereich auf unserer Webseite unter [www.teamicg.com](http://www.teamicg.com)



FR

Pour télécharger le manuel d'utilisation dans votre langue, consultez la section Assistance IC5 sur: [www.teamicg.com](http://www.teamicg.com)



IT

Per scaricare il manuale nella vostra lingua, visitate la sezione del supporto per IC5 su: [www.teamicg.com](http://www.teamicg.com)



NL

Ga om de gebruiksaanwijzing in uw taal te downloaden naar het IC5 supportgedeelte onder: [www.teamicg.com](http://www.teamicg.com)



ES

Para descargarse el manual de usuario en su idioma, por favor acceda a la sección de soporte técnico de la bici IC5 en: [www.teamicg.com](http://www.teamicg.com)



PT

Para transferir o manual de utilizador no seu idioma, visite a secção „Suporte“ da IC5 em: [www.teamicg.com](http://www.teamicg.com)



DK

Besøg IC5 supportafsnittet [www.teamicg.com](http://www.teamicg.com) for at downloade brugermanualen på dit sprog



FI

Lataa omistajan käsikirja omalla kielelläsi IC5-ohjeosiosta sivustolta: [www.teamicg.com](http://www.teamicg.com)



NO

Du kan laste ned bruksanvisningen på ditt eget språk ved å gå til IC5 støttesiden på: [www.teamicg.com](http://www.teamicg.com)



SE

Du kan hämta bruksanvisningen på ditt språk under IC5-stoppet på [www.teamicg.com](http://www.teamicg.com)



PL

Aby pobrać podręcznik użytkownika w swoim języku, należy wejść na zakładkę IC5 support na stronie: [www.teamicg.com](http://www.teamicg.com)



TR

Kullanıcı kılavuzunu kendi dilinizde indirmek için [www.teamicg.com](http://www.teamicg.com) sayfasının IC5 deste bölümünü ziyaret edebilirsiniz



CN

在IC5的客户服务网站，您可以下载各种语言的用户手册 [www.teamicg.com](http://www.teamicg.com)



JP

オーナーズマニュアルの各言語版は、以下サイトの IC5 サポートページからダウンロードいただけます。 [www.teamicg.com](http://www.teamicg.com)



KR

IC5 지원 센터([www.teamicg.com](http://www.teamicg.com))에서 해당 언어 버전의 사용설명서를 다운로드할 수 있습니다..

# TABLE OF CONTENTS

**IMPORTANT PRECAUTIONS P.5**  
**GETTING STARTED P.6**  
**HOW TO ASSEMBLE THE INDOOR CYCLE P.7-13**  
**INSTALLATION AND SETUP P.14**  
**INSTALLATION AND DISPOSAL OF BATTERIES P.15**  
**HOW TO ADJUST THE INDOOR CYCLE P.16-18**  
**HOW TO OPERATE THE INDOOR CYCLE P.19-21**  
**PREVENTIVE MAINTENANCE P.22-25**  
**MAINTENANCE ACTIVITY AND REQUIRED SCHEDULE P.26-27**  
**SPARE PARTS P.28**  
**WARRANTY P.29**

## **TECHNICAL SPECIFICATIONS:**

The LIFE FITNESS IC5 Bike is, according to EN ISO 20957 (1 & 10), a Class S product for use in a controlled environment such as sports or fitness facilities under the supervision of a trainer.

<b>WEIGHT OF BIKE:</b>	<b>51 KG</b>
<b>MAX USER WEIGHT:</b>	<b>150 KG</b>
<b>USER HEIGHT:</b>	<b>SUITABLE FOR USERS BETWEEN APPROX. 155 AND 215 CM</b>
<b>REQUIRED FOOT PRINT:</b>	<b>APPROX. 132 X 52 CM</b>
<b>MAX SADDLE &amp; HANDLEBAR HEIGHT:</b>	<b>APPROX. 120 CM</b>

## **WARNING!**

Electronic components adhere to the EMV Directive 204/108/EC, EMV Directive 99/519/EC, and DIN EN 60335-1 for electrical safety.

# IMPORTANT PRECAUTIONS

## WARNING!

To reduce the risk of serious injury due to improper use of the equipment, carefully read and adhere to the following important precautions and information before operating the indoor cycle!

1. It is the responsibility of the owner to ensure that all users are informed of all warnings and precautions for proper use, and are only authorized to use the bike independently after being successfully briefed by a qualified trainer or instructor.
2. Do not operate the bike until it has been properly assembled and inspected as described in this manual.
3. Keep the indoor cycle indoors, away from moisture and dust. Do not place the indoor cycle outdoors in a garage or covered patio or near water or pools. Operating temperature of the Indoor Cycle has to be between 15°C~40°C Celsius (59°~104°F) at max. humidity of 65%.
4. Always place the bike on a stable, level surface. If the bike is to be placed on a hardwood floor or carpet, it is recommended to place a floor mat beneath the bike, to protect the floor from becoming damaged.
5. The level of safety of the Indoor Bike can only be guaranteed if it is regularly checked for possible damage as well as wear and tear (e.g. fixing points, E-Brake, Pedals, toe straps, etc.). Consult an authorized service provider or the manufacturer direct to ensure the regular inspections are properly carried out.
6. Carry out all maintenance, care and service procedures as described in this manual on a regular basis. Defective parts must be replaced immediately, and the device must not be used until the repairs have been carried out.  
Only use original parts from the manufacturer. Repairs must only be carried out by manufacturer authorized service technicians.
7. Unsupervised children should be kept away from the training device at all times.
8. Children under the age of 14 shall only be allowed to use the indoor cycle with parental approval and supervision of a qualified Trainer or Instructor. Use of the bike by persons over the age of 14 only after they are briefed by a qualified trainer or instructor.
9. The indoor cycle must not be used by persons exceeding weight of 330 lbs/150 kg.
10. Always wear appropriate tight-fitting cycling or athletic attire and sturdy shoes, preferably cycling shoes, while operating the bike. Unfastened shoelaces may become caught in the drive system and lead to injury.
11. The bike does not have an independently-moving flywheel. The pedals will continue to move with the flywheel until the flywheel stops. The movement can only be stopped by using the emergency brake or by reducing the pedaling frequency in a controlled manner. Always ride with resistance load to ensure that your pedaling motion is controlled. Do not adjust handlebar or saddle during workout. Do not pedal backwards.
12. If you feel pain or dizziness while exercising, stop immediately. It is recommended that you consult a doctor if the pain does not subside for an extended period of time.
13. All data shown on the display, especially the Watt values generated by the integrated power sensor serve merely as information and to help guide training. Only exercise within your physical limitations.

## WARNING!

If you have pre-existing health problems or a disability, it is recommended that you consult your physician, in order to find the training method which is best suited to you. Incorrect or extensive training can result in serious health injuries.

The manufacturer expressly assumes no responsibility for health risks, personal injury, property damage or consequential damages sustained by or through the use of this device, unless it is a case of consequential damage which can be traced back to faulty material and/or manufacturing, and which come under the responsibility of the manufacturer.

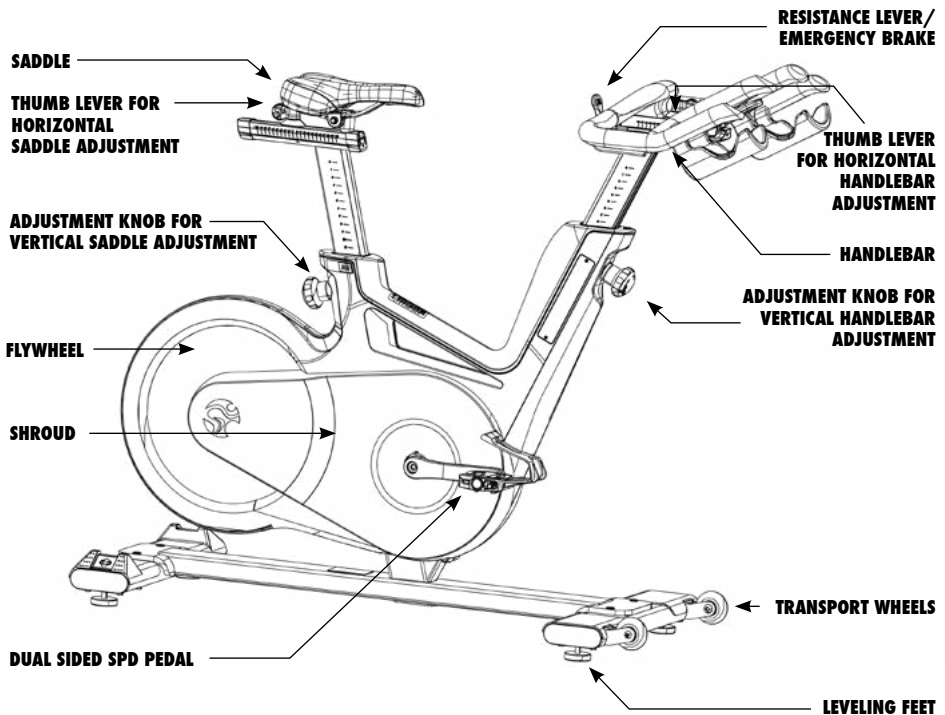
# GETTING STARTED

## DEAR CUSTOMER,

We would like to thank you for your confidence and purchase. With the LIFE FITNESS Indoor Cycle, you have chosen a high-quality product, which is designed according to the latest technical developments and thus fulfils the highest standards in quality and reliability.

This high level of reliability can however only be ensured with regular care and maintenance. Adhering to the maintenance procedures outlined in this manual will ensure a maximized stability and prolonged lifespan with a minimal maintenance effort. This will guarantee long-standing, interruption-free operation.

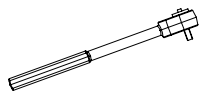
Instructions on operation and managing training for the WattRate® LCD Computer can be found in the computer user manual also included with delivery.



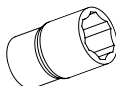
## WARNING!

You will find the production code for the Life Fitness IC5 Bike on the tag plate which is located on top of the lateral frame tube of the Indoor Bike. Please enter this production code into care and maintenance lists. It is a strict requirement to provide the production code in all warranty claims.

# HOW TO ASSEMBLE THE INDOOR CYCLE



**TORQUE WRENCH**



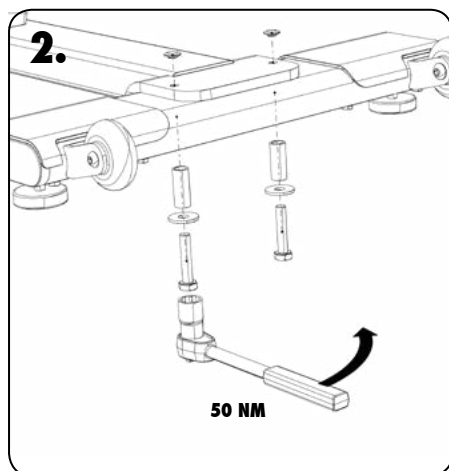
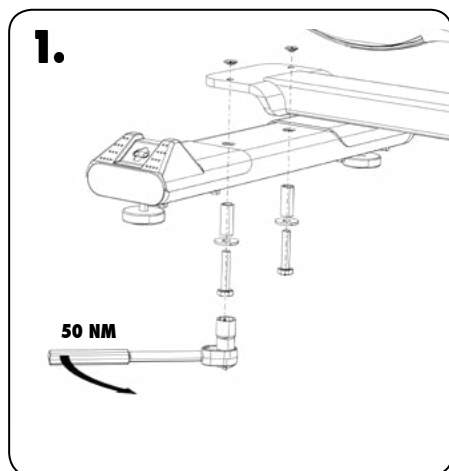
**17MM**



**2  
PEOPLE**

## **WARNING!**

Avoid high fluctuations in temperature whilst transporting the bike from the store to the installation site. If there are nevertheless large fluctuations in temperature, please allow the bike to acclimatize to the surrounding temperature before proceeding with assembly.



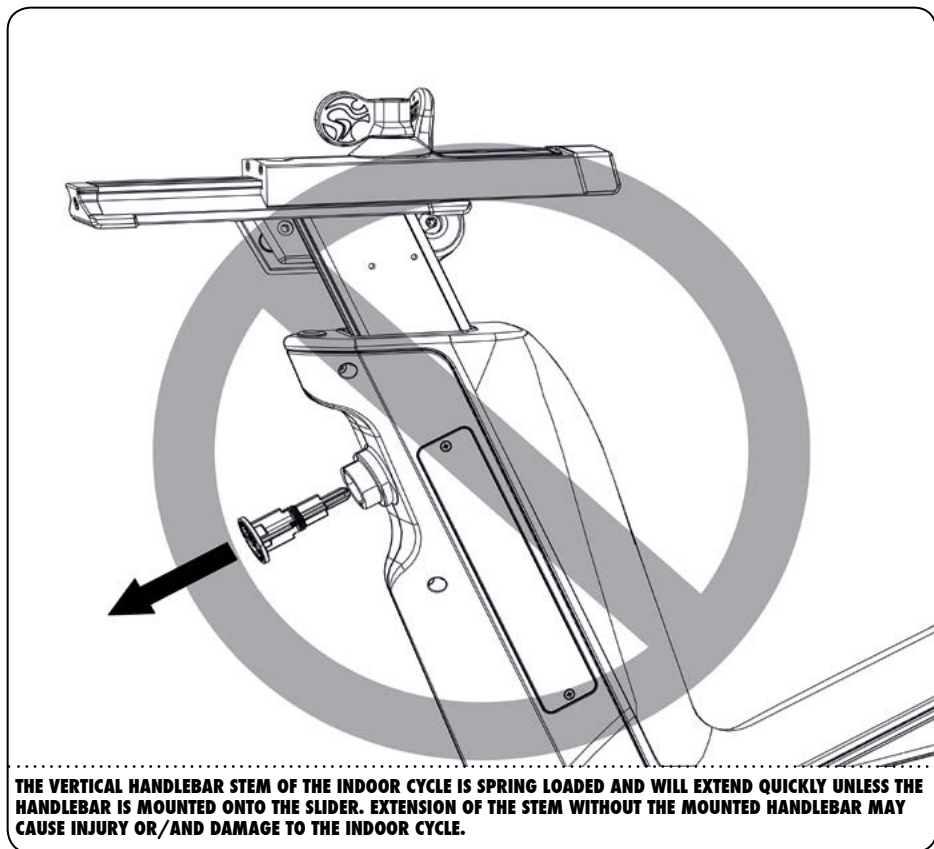
## **WARNING!**

Please ensure that bolts are tightened with the specified force to minimize loosening during use. If bolts are loosened after initial assembly, we recommend using medium-strength LOCTITE® 243 when reassembling.

# HOW TO ASSEMBLE THE INDOOR CYCLE

**DANGER OF INJURY!**

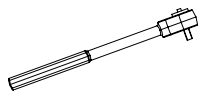
**DO NOT REMOVE THE SAFETY PIN BEFORE THE HANDLEBAR HAS BEEN MOUNTED ON THE UPPER HORIZONTAL HANDLE BAR SLIDER!**



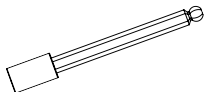
**THE VERTICAL HANDLEBAR STEM OF THE INDOOR CYCLE IS SPRING LOADED AND WILL EXTEND QUICKLY UNLESS THE HANDLEBAR IS MOUNTED ONTO THE SLIDER. EXTENSION OF THE STEM WITHOUT THE MOUNTED HANDLEBAR MAY CAUSE INJURY OR/AND DAMAGE TO THE INDOOR CYCLE.**



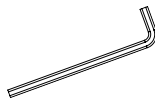
# HOW TO ASSEMBLE THE INDOOR CYCLE



TORQUE WRENCH



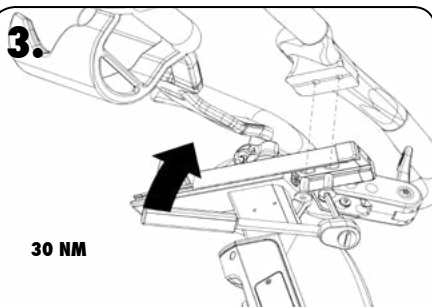
6 MM BALL HEX SOCKET



3 MM

2  
PEOPLE

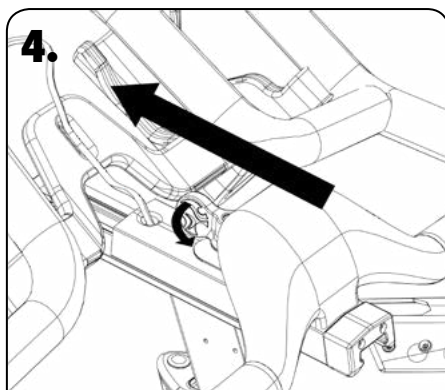
3.



30 NM

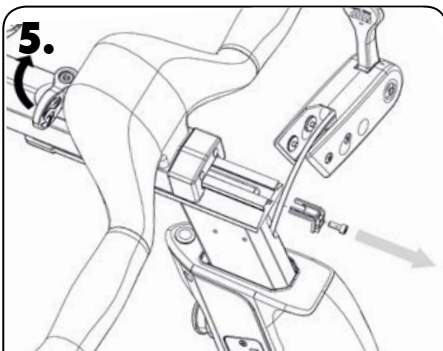
**MOUNT THE HANDLEBAR TO THE STEM WITH 2 COUNTER SUNK HEX BOLTS. TIGHTEN TO 30 NM WITH A TORQUE WRENCH. THE BOLTS ARE PRE-COATED WITH A THREAD LOCK WHEN TIGHTENED FOR THE FIRST TIME. IF THE BOLTS SHOULD LOOSEN, GLUE BOLTS WITH LOCKTITE (R) 2701 UPON RETIGHTENING.**

4.



**LOOSEN THE THUMB LEVER AND PUSH THE HORIZONTAL SLIDER TO THE FORWARD POSITION.**

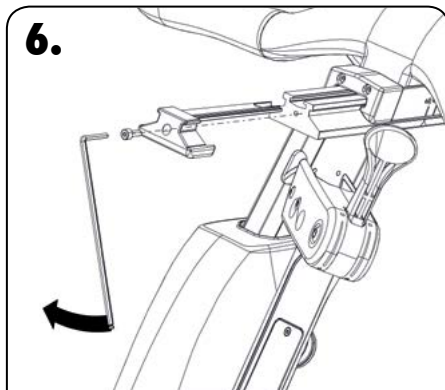
5.



**LOCK THE THUMB LEVER.  
REMOVE THE LIMIT STOP WITH A 3 MM HEX KEY.**

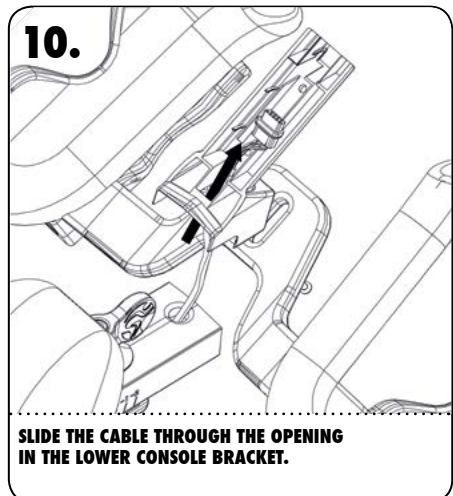
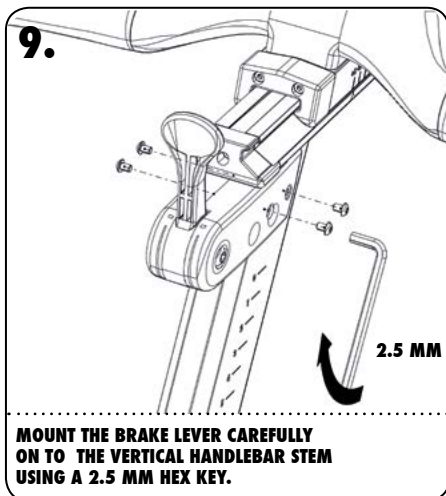
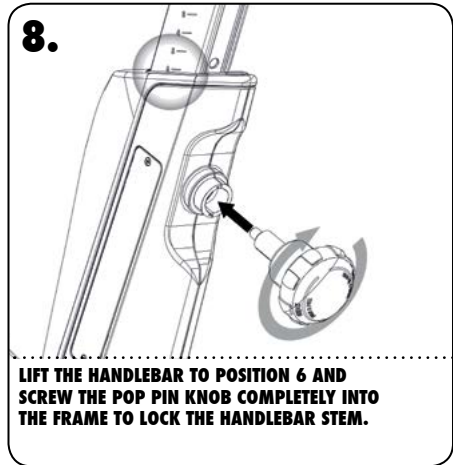
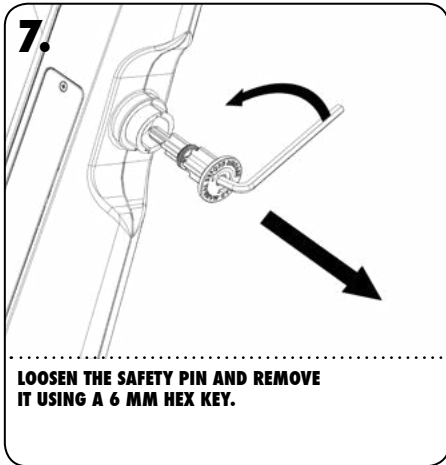
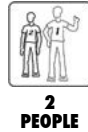
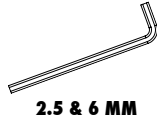
**NEVER PULL THE HANDLEBAR TOWARD THE SEAT WHEN THE LIMIT STOP IS REMOVED. THIS WILL DAMAGE THE INTERNAL CABLE!**

6.

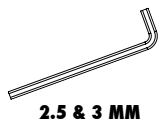


**INSERT AND FASTEN THE END CAP WITH A CAP HEAD SCREW AND 3 MM HEX KEY.**

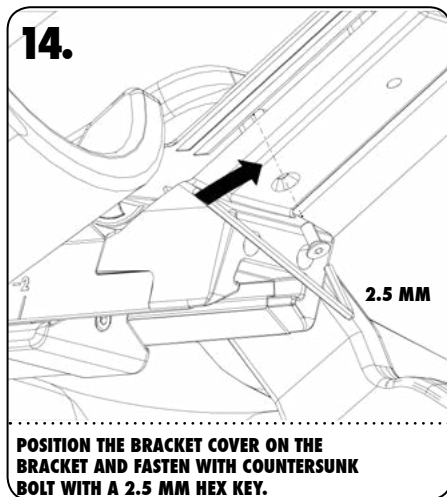
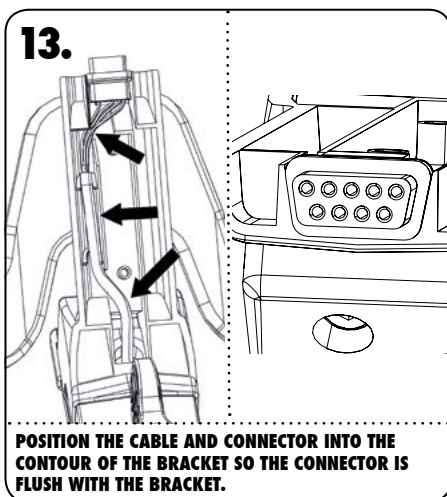
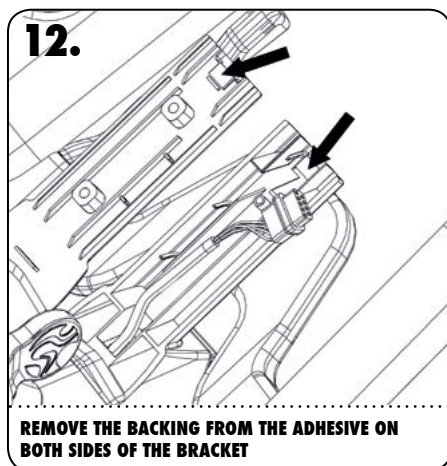
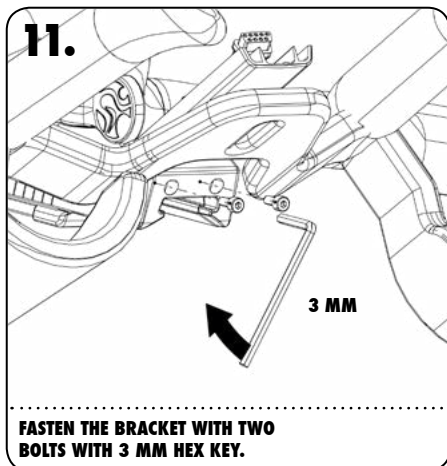
# HOW TO ASSEMBLE THE INDOOR CYCLE



# HOW TO ASSEMBLE THE INDOOR CYCLE



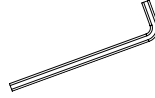
2  
PEOPLE



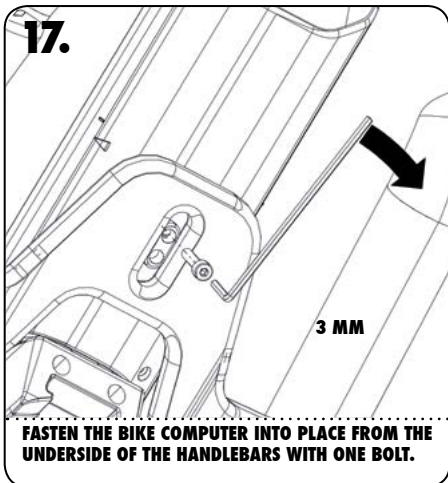
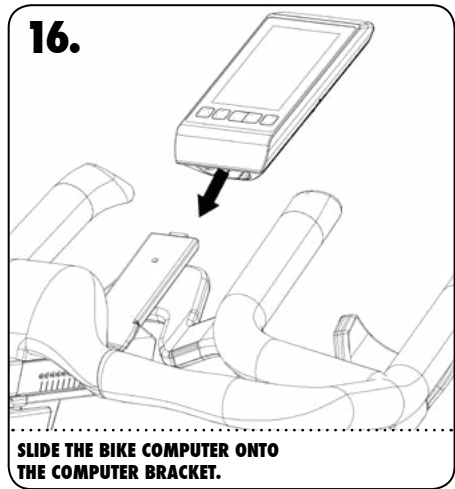
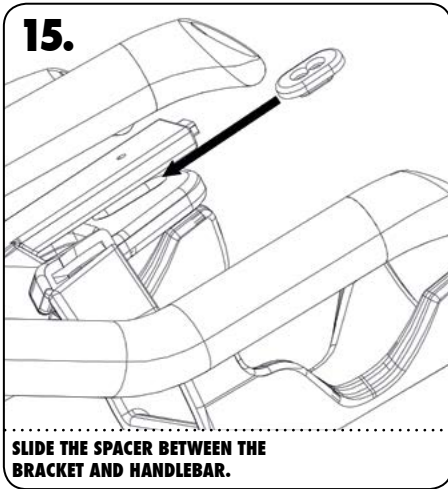
# HOW TO ASSEMBLE THE INDOOR CYCLE



2  
PEOPLE



3 MM



The computer user manual is enclosed separately and contains information for setup and operation.

# HOW TO ASSEMBLE THE INDOOR CYCLE



**15 MM PEDAL WRENCH**

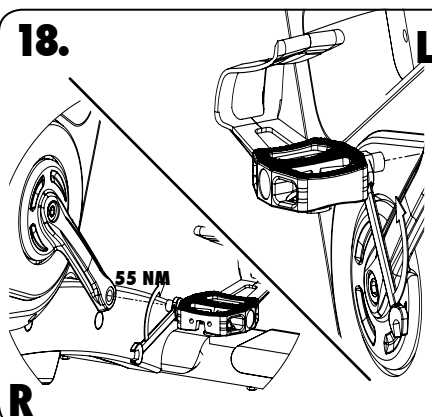


**HAND TIGHT**



**2 PEOPLE**

**18.**

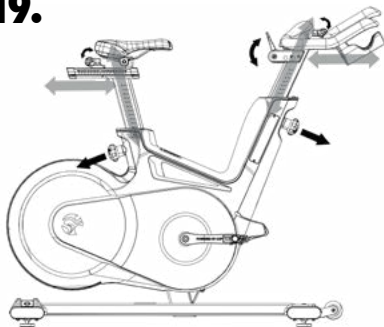


## **WARNING!**

Attach the pedal marked **R** on the right crank and tighten by turning clockwise (standard right-hand thread). Attach the pedal marked **L** on the left crank and tighten by turning counter-clockwise (left-hand thread). Please make sure that both pedals are fastened with sufficient force (55 NM), to ensure that the bolt does not become loose during use.

**The threads are provided with TufLok® at the factory to prevent them from becoming loose during use. If bolts are loosened after initial assembly, we recommend using medium-strength LOCTITE® 243 when reassembling.**

**19.**



**Test the function of the adjustable handlebar and seat.**

**Move the resistance/brake lever up and down multiple times.**

**Move the handlebars and seat up and down and the back and forth. Test the function of the thumb levers on the sliders and the function of the pop pin knobs.**

**TEST FUNCTION OF HANDLEBAR AND SEAT HEIGHT ADJUSTMENT, HORIZONTAL SLIDERS AND EMERGENCY BRAKE.**

# INSTALLATION AND SETUP

Instructions stated in this manual must be performed during initial installation of the LIFE FITNESS Indoor Cycle in order to ensure optimal performance and a long lifespan. Please read and follow the following instructions carefully. If the Indoor Cycles are not installed and configured as described, the components may be subjected to excessive wear and tear and the bike may become damaged. If you have any questions regarding installation, please contact [service@indoorcycling.com](mailto:service@indoorcycling.com).

**Please note:** Lubricants are required for some maintenance procedures. Please only use an **acid- and solvent-free spray lubricant** and white lithium grease.

- 1.** Make sure the bike is level. If bike rocks on the floor, turn the levelling feet underneath the front and/or rear stabilizer until the rocking motion is eliminated. Make sure that the levelling feet are not screwed out further than 10 mm
- 2.** Verify emergency brake function to make sure that it is working properly.
- 3.** Check that both crank arm Allen bolts, with which the cranks (on the right and left side of the bottom bracket) are fastened, are secure (tightening torque 60 NM). These bolts are provided with TufLok® at the factory to prevent them from becoming loose during use.

If the bolts become loose, we recommend applying medium-strength LOCTITE® 243 and then reattaching the crank fixing bolts with a tightening torque of 60 NM.

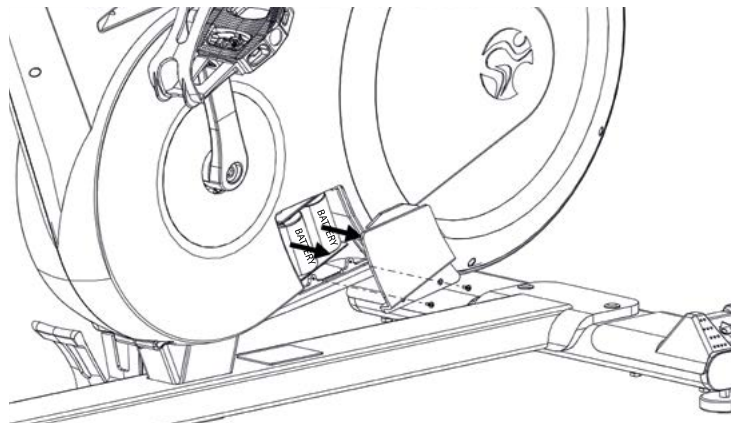
- 4.** Wipe down bike frame with a rag moistened with acid and solvent-free spray lubricant.
- 5.** Some parts of the bike may become loose during shipment. Check crank arms and all exposed screws, bolts and nuts, and make sure that they are all secure and properly tightened.

## CUSTOMER SERVICE

- 1.** Provide the customer with basic maintenance instructions, and direct them to detailed maintenance instructions.
- 2.** Have the sign-off sheet for the manual, explanation of maintenance procedures and verification of impeccable condition of the bikes confirmed by the customer when handing over the goods. A copy of the confirmation should be counter signed by yourself and a copy of the confirmation should also be left with the customer.
- 3.** Repairs must only be carried out by manufacturer authorised service technicians.

# INSTALLATION AND DISPOSING OF BATTERIES

**YOUR LIFE FITNESS IC5 REQUIRES TWO D SIZE BATTERIES.**



## **BATTERIES MAY NOT:**

- Come into contact with fire
- Come into contact with coins or other metallic objects

Products or batteries labelled with this symbol may not be disposed of along with normal household refuse. For proper disposal, please find out about the applicable laws or guidelines on disposing of electrical devices and batteries in your local area and adhere to them.

Signed products or batteries with this symbol may not be disposed of in normal domestic refuse. Please familiarize yourself with relevant local laws or guidelines for the disposal of electrical devices and batteries and act accordingly.

If possible, please use rechargeable batteries to help save the environment. When doing so, please make sure they deliver 1,5 V output. Before disposing of the console, please remove the batteries.



# HOW TO ADJUST THE INDOOR CYCLE

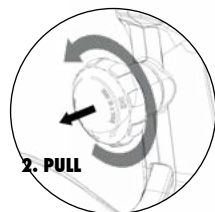
The Life Fitness Indoor Cycle can be very easily adjusted, depending on the requirements of various user groups. This enables maximum riding comfort to be ensured whilst achieving optimal training results. The configurations described in the following paragraphs demonstrate just a few of the most often used adjustment variations of which the Indoor Cycle is capable. It is up to the user to adjust the Indoor Cycle to a riding position best suited to their requirements.

## ADJUSTING THE SEAT HEIGHT:

Sit on the saddle and ensure that your hip is not tilted to one side when the pedal has assumed the position as shown in the picture. Place your shoes in the toe clips (cages) on the pedals, or in the SPD cleats if you are using cycling shoes.

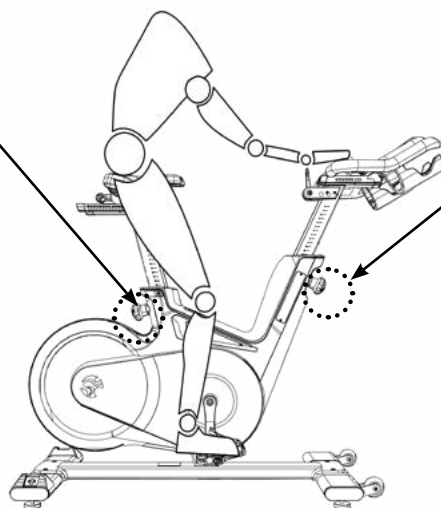
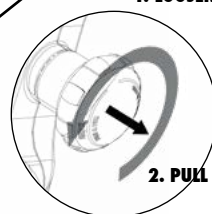
### VERTICAL SADDLE ADJUSTMENT

#### 1. LOOSEN



### VERTICAL HANDLEBAR ADJUSTMENT

#### 1. LOOSEN



## WARNING!

Do not adjust seat and handlebar during exercise. Ensure that the pop-pin-knobs used for the height adjustment of the handlebar and seat are properly tightened and the thumb levers for horizontal adjustment are closed, before you sit on the bike. Always step off the bike when making adjustments to the handlebars and/or saddle.

Start pedaling slowly, until the pedal has reached the position as shown in the picture. The saddle height should be adjusted so that your knees are always slightly bent when the pedal is at its lowest position without dropping your hip to one side. Rule of thumb: When standing next to the bike, the upper edge of the saddle should be a hand's width/four fingers below your iliac crest. Please avoid cycling with your knees fully extended or your hip tilted to one side.



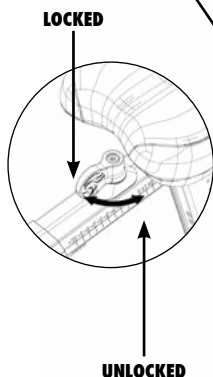
# HOW TO ADJUST THE INDOOR CYCLE

## ADJUSTING THE SADDLE HORIZONTALLY:

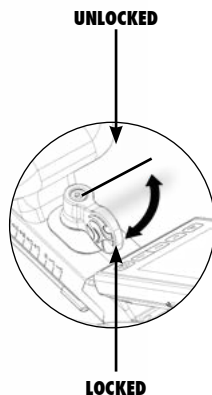
Properly positioning the saddle horizontally is very important in order to avoid injury to the knees. Sit on the saddle and move the pedals until the crank arms are in the horizontal position.

The knee of your forward-facing leg should be positioned directly above the center of the pedal. If this does not correspond to your bike's setting, please align the horizontal saddle adjustment to the front or rear in order to attain this seat position.

### HORIZONTAL SADDLE ADJUSTMENT



### HORIZONTAL HANDLEBAR ADJUSTMENT



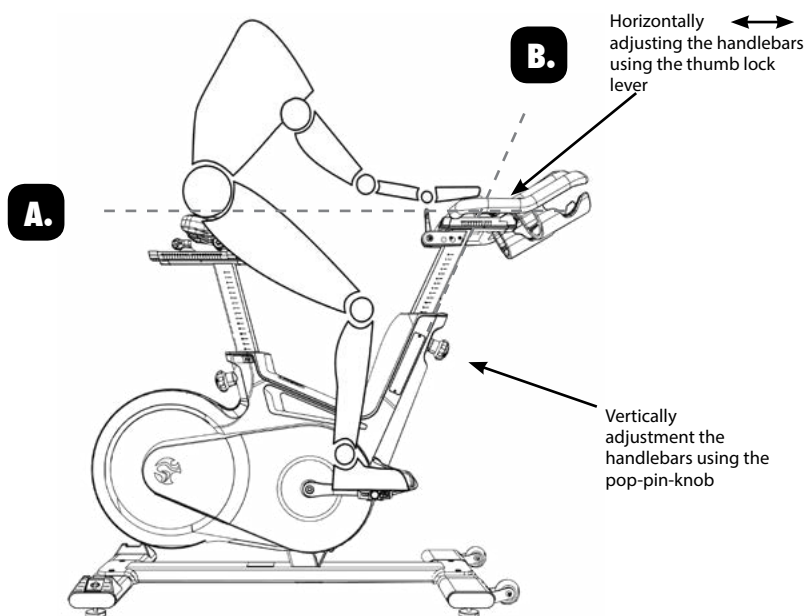
## WARNING!

Ensure that the pop-pin-knobs used for the height adjustment of the handlebar and seat are properly tightened and the thumb levers for horizontal adjustment are closed, before you sit on the bike. Always step off the bike when making adjustments to the handlebars and/or saddle.

# HOW TO ADJUST THE INDOOR CYCLE

## HANDLEBAR POSITIONING:

Begin with the top of the handlebars at approximately the same height as the saddle (**dotted horizontal line A in the drawing below**) for inexperienced users set to the "0" marking (**see dotted vertical line B in the drawing below**). If your knees touch the handlebars or if you experience back discomfort when pedalling in the standing riding position for extended periods, the handlebars should first be adjusted slightly higher.



The next step is to adjust the horizontal position of the handlebars as precisely as possible to your height. An ideal and comfortable seating position for inexperienced riders is achieved if your back assumes an inclination angle of  $45^\circ$  in reference to the horizontal line (A).

The handlebars offer a wide variety of hand positions and adjustment possibilities, which provide the experienced rider with every possibility to find his/her ideal seating and hand positioning.

It is recommended to change hand positions frequently during extended workouts in order to minimise one-sided and monotonous exertions on your muscles, ligaments and joints.

# HOW TO OPERATE THE INDOOR CYCLE

## RESISTANCE ADJUSTMENT:

The resistance adjustment can be set precisely and regulated in fine increments according to the requirements of the cyclist by moving the resistance/emergency lever up or down. The adjustment lever has 110° range of motion. When the lever is up, the resistance is 0% and when it is in the down position, 100%. When moved beyond 100%, the brake will engage. The training resistance is displayed accurately on the Indoor cycle computer. This Indoor Cycle is fitted with a magnetic brake system and therefore, the resistance increases with the pedaling frequency.

Never pedal backwards under resistance, as this can loosen the screws connecting the pedals to the crank arm and the two may even become detached. To stop the flywheel during use, the resistance/emergency brake lever must be pressed down. During training, please make sure your shoes are placed in the toe clips (cages) provided or if you are using cycling shoes, that they are connected with the SPD cleats.

The Indoor Bike does not have a free-moving flywheel. The flywheel is firmly connected to the pedals and does not stop independently if the user stops pedalling. Please always check your movements and reduce speed in a controlled manner to stop or simply press the resistance/emergency brake lever down to quickly slow down the movement and in so doing bring the flywheel to a stop and suspend the training session.

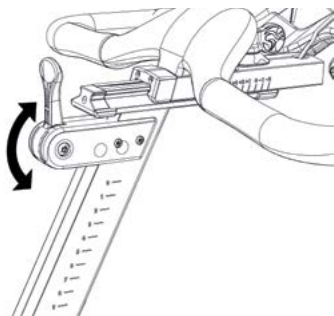
**Emergency brake = press down red resistance/emergency lever.**

## WARNING!

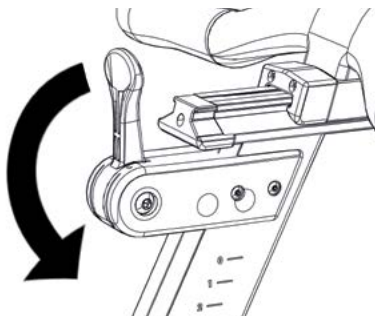
The Indoor Cycle shall only be operated in forward pedaling motion. The emergency brake functionality is limited when pedaling backwards. Do not attempt to adjust seat and handlebar in vertical or horizontal position while riding or seated.

# HOW TO OPERATE THE INDOOR CYCLE

## RESISTANCE ADJUSTMENT LEVER



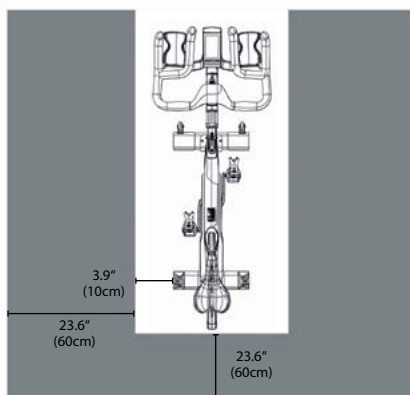
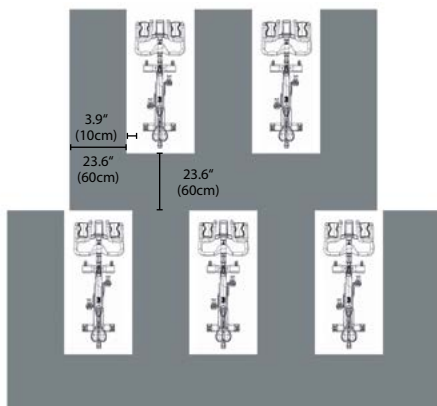
## EMERGENCY BRAKE (PUSH RESISTANCE ADJUSTMENT LEVER DOWN)



For safety reasons, please always make sure you pedal in a controlled manner and adjust your pedalling frequency to your own cycling capabilities.

## MOVING THE INDOOR CYCLE:

It is recommended that two people move the Indoor Cycle. In order to prevent accidents and damage to the plug-in sockets of the handlebars it is necessary to firmly fix the vertical handlebar adjustment before the wheel is tilted. Please take extra care when moving the Indoor Cycle over uneven surfaces. A second person is advisable here, to prevent the cycle from tilting to one side. **Allow a minimum safety distance away from the nearest equipment, objects or walls as illustrated below.**

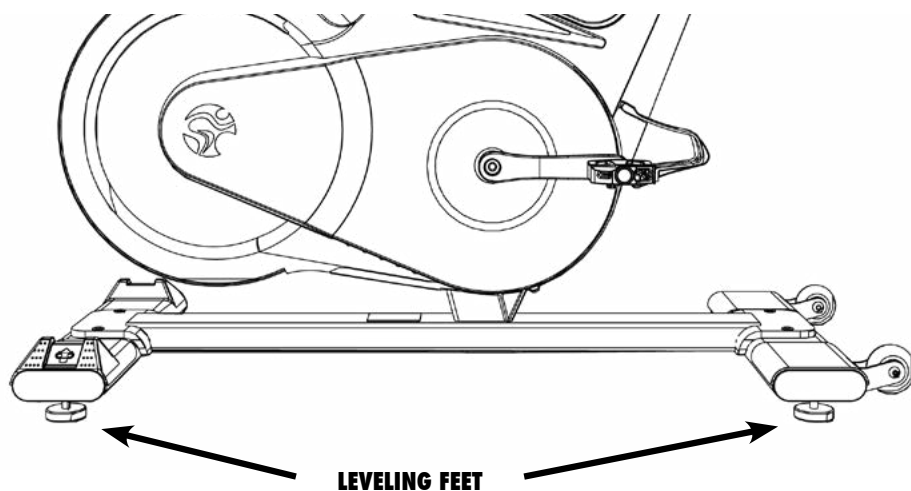


# HOW TO OPERATE THE INDOOR CYCLE

Check the stability of the Indoor Cycle where it is to be operated and if necessary adjust the levelling feet underneath the front or rear stabilizers to ensure the desired stability.

## **IMPORTANT!**

Please do not unscrew the levelling feet more than 10 mm! The free standing Indoor cycle shall only be installed and operated on a stable and leveled floor.



# PREVENTATIVE MAINTENANCE

## WARNING!

Please carefully observe the following instructions. The maintenance and care procedures must be performed in the regularity set out, to ensure maximum operating safety and lifespan. Irregularly observed maintenance and care procedures will lead to increased wear to the product and will void the warranty. If you have any further questions on this topic, please contact our technical support.

Please only use the acid- and solvent-free maintenance and care agent recommended by us to prevent damage to components of the Indoor Cycle.

## DAILY MAINTENANCE:

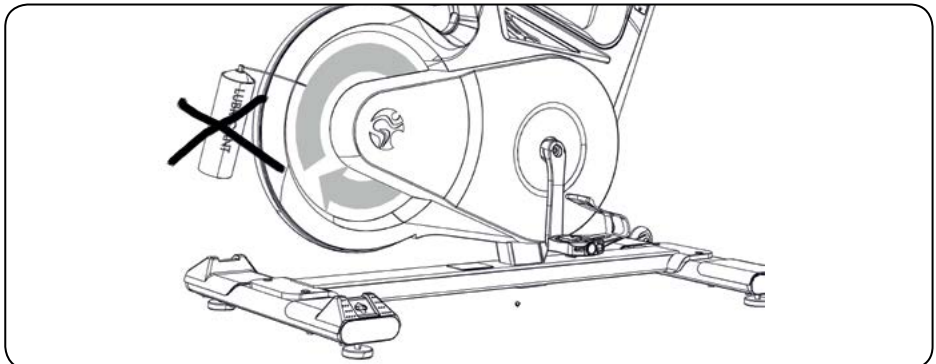
**1.** Make sure that the Indoor Cycle is **leveled and does not rock** (if necessary adjust as described on p. 21).

**2. Cleaning:** The Indoor Cycle must be regularly cleaned after each use for reasons of hygiene. Ensure that there are sufficient soft cloths or paper towels and maintenance and disinfection agent available. First disinfect the saddle and handlebars with a suitable agent and then wipe all bodily residues off the entire Indoor Cycle.

## WEEKLY MAINTENANCE:

**1. Cleaning:** Depending on how often the Indoor Cycle is used, it must be extensively cleaned once a week. To do this, spray a maintenance spray onto a soft cloth and clean all plastic parts, the entire flywheel, exposed framework parts including stabilizers and the plastic casing.

Never spray maintenance spray or anything else directly onto the flywheel or pedal to ease cleaning, as this could cause the drive belt to slip during use, reduce braking performance or damage internal components.



# PREVENTATIVE MAINTENANCE

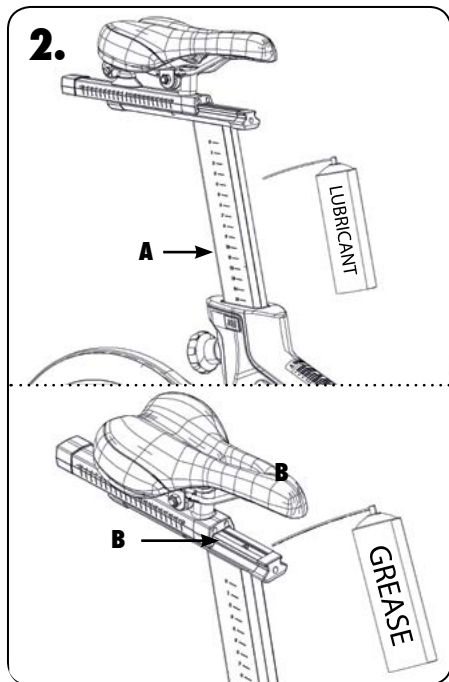
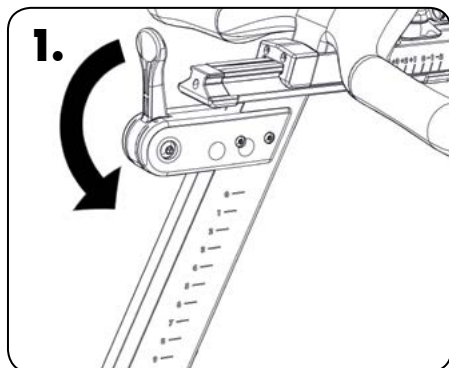
## BI-WEEKLY MAINTENANCE:

**1. Emergency brake:** To ensure operating safety, the emergency brake must be regularly checked to make sure it is functioning properly. To do this, completely press down the resistance/brake lever whilst pedalling. When functioning optimally, it should produce an immediate braking effect and bring the flywheel to a complete standstill.

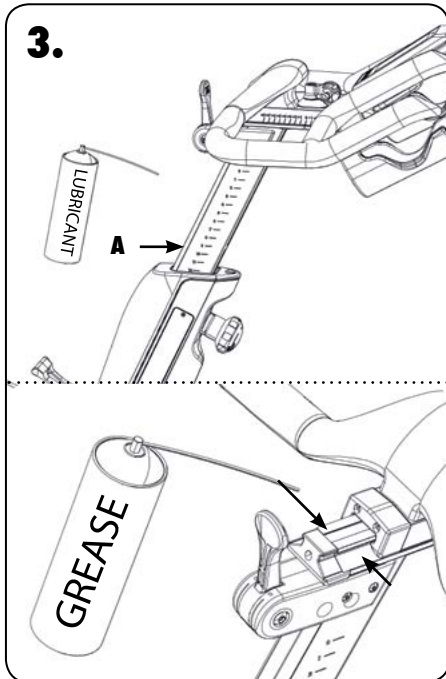
The flywheel is only released again by the emergency braking function after coming to a complete standstill and when the pressure is removed from the pedals.

**2. Saddle adjustments:** To maintain the easy adjustment, the vertical and horizontal saddle posts must be regularly cleaned and lubricated. To do this, position the vertical saddle post (A) in the uppermost position, spray with maintenance spray and rub down the entire exterior surfaces including the horizontal post with a soft cloth.

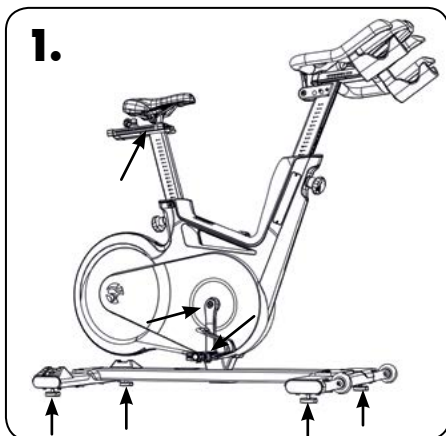
Clean sweat residues off the contact surfaces (B) of the horizontal saddle post beforehand and if necessary apply a small amount of lithium grease.



# PREVENTATIVE MAINTENANCE



**3. Handlebars:** To maintain the easy adjustment of the handlebar posts, the vertical and horizontal handlebar posts must be regularly cleaned and lubricated. To do this, position the handlebars (**A**) in the uppermost position, spray the handlebar posts with maintenance spray and rub down the entire exterior surfaces including the horizontal post with a soft cloth. Clean sweat residues off the contact surfaces of the horizontal handlebar post (**B**) beforehand and if necessary apply a small amount of lithium grease.



## MONTHLY MAINTENANCE:

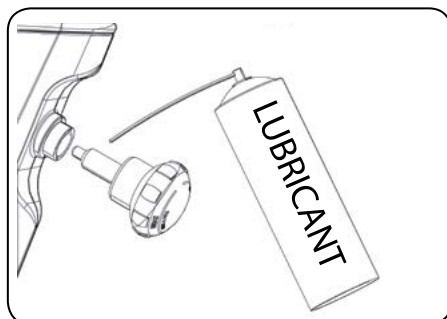
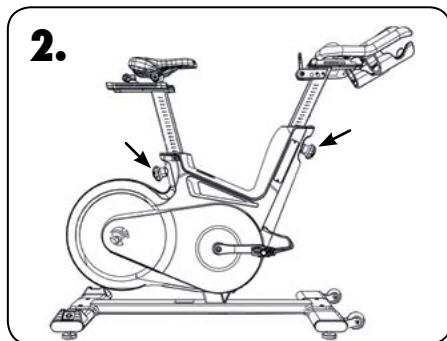
**1. Connecting elements:** During the course of regular maintenance and care procedures, all bolts, nuts etc. on the Indoor Cycle must be checked to ensure that they are properly tightened and function correctly. Parts showing wear or damage (saddle, pedal teeth, pedals, SPD system) must be replaced.



# PREVENTATIVE MAINTENANCE

## 2. Vertical adjusting of the handlebar and saddle:

To ensure the easy adjustment of the vertical handlebar and saddle posts, the thread on the pop-pin-knob must be lubricated. We recommend lithium grease.



# MAINTENANCE SCHEDULE AND CHECKLIST

<b>ACTIVITY</b>	<b>ROTATION</b>	<b>DETAILS</b>
<b>FEET LEVELLING, DISINFECTION &amp; CLEANING OF THE BIKE</b>	<b>DAILY</b>	<b>P 21-22</b>
<b>DETAILED CLEANING OF THE ENTIRE BIKE</b>	<b>WEEKLY</b>	<b>P 22</b>
<b>CHECK EMERGENCY BRAKE FUNCTION</b>	<b>BI-WEEKLY</b>	<b>P 23</b>
<b>CLEAN AND LUBRICATE SADDLE &amp; HANDLEBAR SLIDERS / STEMS</b>	<b>BI-WEEKLY</b>	<b>P 23-24</b>
<b>CHECK ALL CONNECTIONS AND FIXINGS</b>	<b>MONTHLY</b>	<b>P 24</b>
<b>VERTICALLY ADJUSTING THE HANDLEBAR AND SADDLE</b>	<b>MONTHLY</b>	<b>P 25</b>

## EXAMPLES OF MAINTENANCE PLAN CHARTS FOR IN-HOUSE SERVICE TECHNICIANS:

<b>WEEKLY MAINTENANCE CHECKLIST</b>					
<b>BIKE NO.</b>	<b>PRODUCTION CODE</b>	<b>OBSERVATIONS</b>	<b>ACTION TAKEN</b>	<b>RESULT</b>	<b>NAME / DATE</b>

# MAINTENANCE SCHEDULE AND CHECKLIST

BI-WEEKLY MAINTENANCE CHECKLIST					
BIKE NO.	PRODUCTION CODE	OBSERVATIONS	ACTION TAKEN	RESULT	NAME / DATE

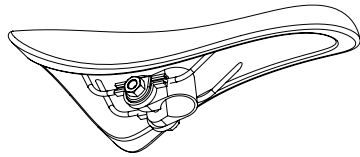
MONTHLY MAINTENANCE CHECKLIST					
BIKE NO.	PRODUCTION CODE	OBSERVATIONS	ACTION TAKEN	RESULT	NAME / DATE

# SPARE PARTS

Due to revisions, spare part order no. and specifications may be subject to change.  
For further information please contact your local distributor or visit [www.indoorcycling.com](http://www.indoorcycling.com).

**120-01-00015-02**

**SPORT SADDLE  
BLACK & RED INCL. SADDLE CLAMP**



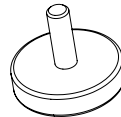
**320-00-00010-01**

**WATTRATE® LCD COMPUTER INCLUDING  
FASTENING MATERIAL FOR IC5**



**900-10-00003-01**

**LEVELING FEET, RUBBER 75° SHORE**



**150-01-00005-03**

**COMBI PEDAL SET,  
SPD COMPATIBLE**



**150-03-00048-01**

**TOE STRAP SET**



# WARRANTY

ICG warrants that all new equipment will be free of manufacturing defects in workmanship and materials, effective on the date of original assembly at its production facility. Parts repaired or replaced under the terms of this warranty will be warranted for the remainder of the original warranty period only. ICG is obligated to uphold its manufacturer warranty obligation so long as the product is used in the closed environment it was designed for, Temperature range between 15°C~40°C Celsius (59°F~104°F) and max. 65% humidity (not near a swimming pool or outdoors). Defects caused by obvious deliberate mechanical impact, inappropriate use or undo handling of the product may cause the manufacturer's warranty to become void. In order for the manufacturer to uphold the warranty coverage, the customer (fitness facility) is obligated to maintain and service the product as per the manufacturer's specifications stated in the owner manual of each product.

## 5 YEARS WARRANTY:

## 3 YEARS WARRANTY:

## 1 YEAR WARRANTY:

## FRAME CONSTRUCTION AND WELDING

### POWDER COATING (PAINT CRACKS, CORROSION)

### HANDLEBAR AND SEAT POST ASSEMBLY (ALUMINUM PARTS AND PVC COATING)

### DUAL BELT DRIVE SYSTEM

### POWER SENSOR

### BOTTOM BRACKET ASSEMBLY

### FLYWHEEL AND HUB ASSEMBLY

### CRANKS

### PEDALS (EXCLUDED BINDING SYSTEMS AND STRAPS)

### INSERT SLEEVES FOR HANDLE BAR AND SEAT POST

### BOWDEN CABLES (BRAKE ADJUSTMENT)

### BRAKE SYSTEM

### GAS SPRING

### LEVELING FEET

### SHROUD AND TOP COVERS

### ELECTRONIC COMPONENTS

### (COMPUTER, CABLE HARNESS, PCBs AND SENSORS, GENERATOR)

### SADDLE CONSTRUCTION (EXCLUDED STITCHING AND SADDLE SURFACE)

## THE FOLLOWING WEAR ITEMS ARE EXCLUDED FROM WARRANTY:

Pedal straps, pedal binding systems, saddle surface.





## **CAUTION.**

READ ALL PRECAUTIONS AND INSTRUCTIONS IN THIS MANUAL BEFORE YOU BEGIN USING THIS EQUIPMENT. PLEASE KEEP THIS MANUAL FOR FUTURE REFERENCE. IMPROPER ASSEMBLY, SET UP, USE OR MAINTENANCE MAY VOID THE WARRANTY.

*LifeFitness*

**EMAIL:** [INFO@INDOORCYCLING.COM](mailto:INFO@INDOORCYCLING.COM)  
**WEBSITE:** [WWW.INDOORCYCLING.COM](http://WWW.INDOORCYCLING.COM)

© 2017 Indoor Cycling Group

Manufactured by: Indoor Cycling Group® GmbH  
Happurger Str. 86 90482 Nuernberg Germany