

LETTERCUT

House Number Template 6 inch THIN MODERN

INSTALLATION INSTRUCTIONS:

1. Print template pages at full size for accuracy.
2. Assemble template.
3. Tape the template in place.
Use a level to ensure your template is straight.
4. Predrill the screw holes - using house numbers as a guide.
5. Fasten with screws through the number and spacer.



Get your numbers straight:

1. **Horizontal:** This solid horizontal line marks the center. Tape pages together so these lines match.
2. **Vertical and centered:** Tape the pages together so the solid center lines on the top and bottom of each page match.
3. **Vertical and right aligned:** Use the small dotted line to the right of each number to align your numbers.

Get even spaces between numbers:

Fold template on the dotted line and tape pages together where the dotted lines meet. **Easily adjust spacing by adding or decreasing the same amount between each number.*

Suggested spacing between 6" tall numbers:
For horizontal placement is 1 - 1.5" between numbers.
For vertical placement - allow 1 - 2" between numbers.

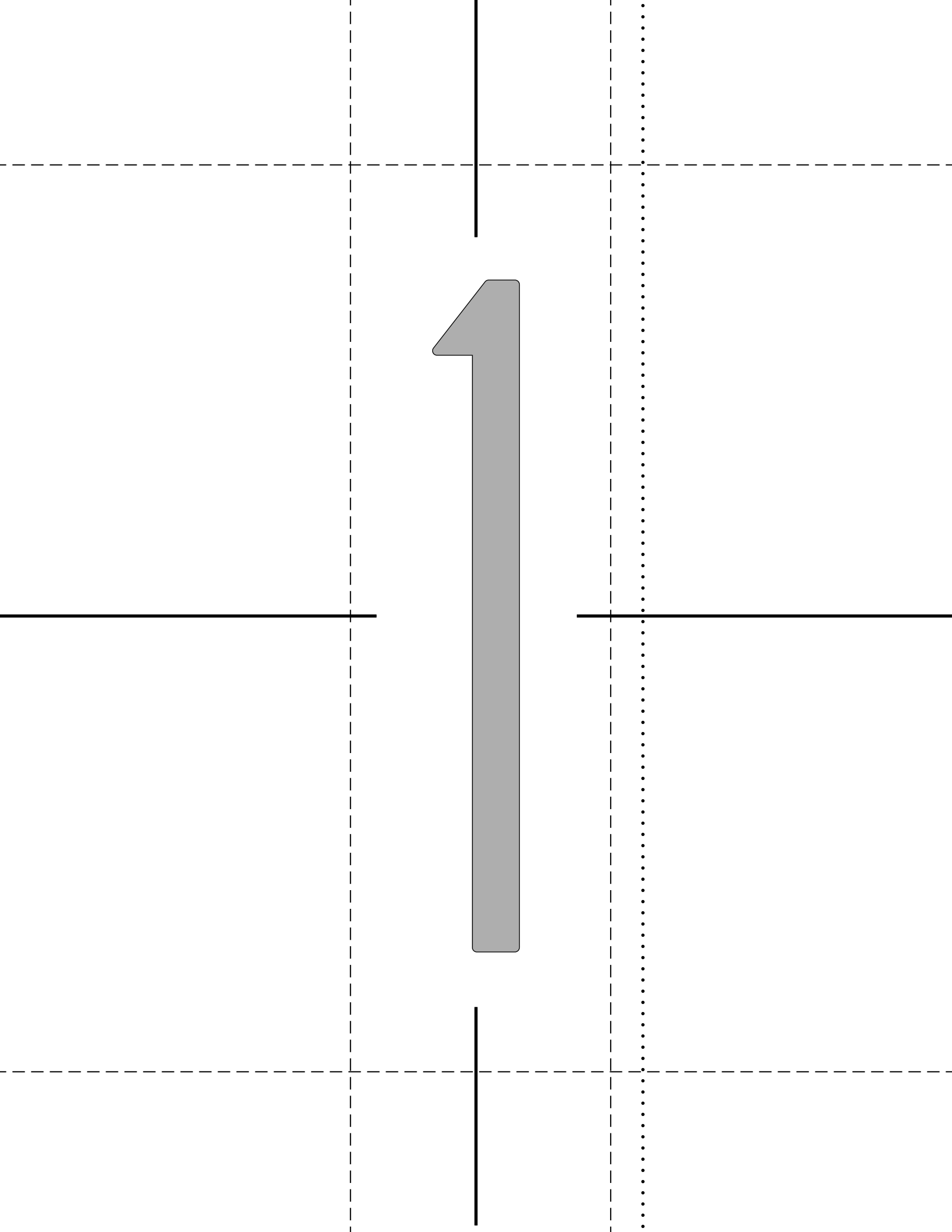
Heights vary slightly - Numbers and letters are all designed for visual appeal. A slight variation in number height and width is intentional.

LETTERCUT

For number - print page:

- 1 - page 3
- 2 - page 4
- 3 - page 5
- 4 - page 6
- 5 - page 7
- 6 - page 8
- 7 - page 9
- 8 - page 10
- 9 - page 11
- 0 - page 12

Send Jane an email: Jane@MyLettercut.com
if this template does not work for you



2

3

4

5

