

# ADJUSTABLE ROTARY CUTTER INSTRUCTION SHEET

Please read all instructions before operating.

**Caution: Sharp Blade - Adult Use Only!**

Cutter will adjust from 2 1/4" to 7 1/4" in diameter.

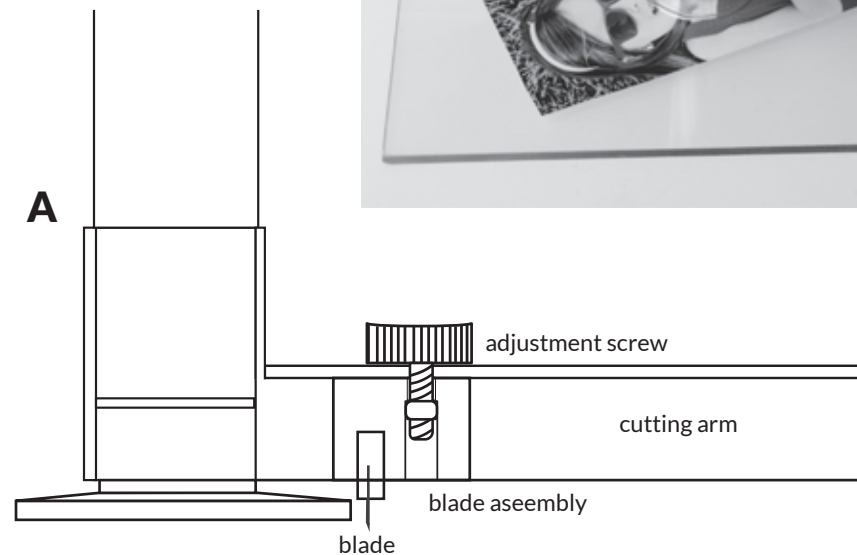
## Cutting a Circle

1. Remove masking tape from blade and arm.
2. Turn adjusting screw and move to desired diameter. Practice with scrap paper to make sure size is correct.
3. Place photo or paper on glass base and then place cutter on center of image. Note: Only cut on glass, blade will bind on other materials.
4. Hold cutter down with left hand on center tube. Place right hand on outer-end of the cutting arm and apply a slight downward pressure as you turn it clock wise one full turn. (see photo)

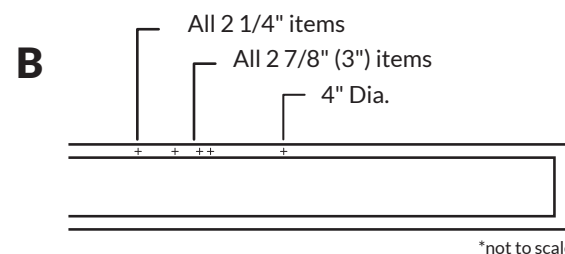
## Blade Replacement

1. Remove top of tube to reach blade dispenser.
2. Remove black end cap of blade dispenser. Note slot for breaking off a blade.
3. Expose one blade from dispenser and lock into place.
4. Slip end cap slot over blade and snap off.
5. Remove/Insert new blade into assembly, with a pliers. Press into place. Make sure blade is set in proper direction or it will tear your photo or paper.

\*Remove blade holder assembly and replace so blade is on outside. (see illustration C)



Normal blade assembly  
for cutting 2 1/4" - 6 3/8" Dia.



\*not to scale

