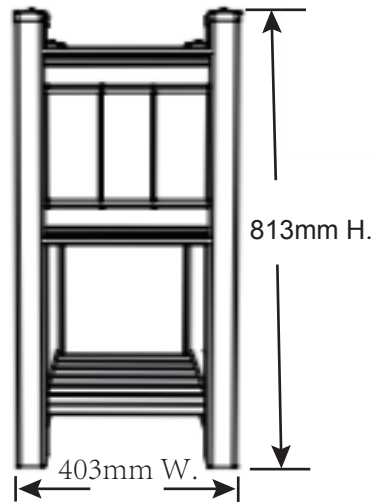
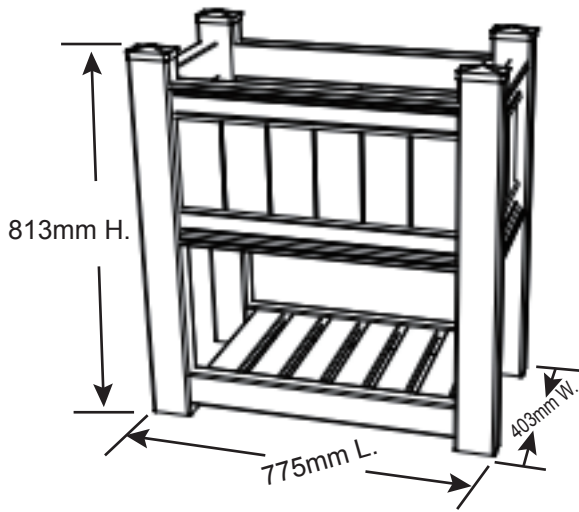


INSTALLATION INSTRUCTIONS



LIVING CULTURE



Tool Required

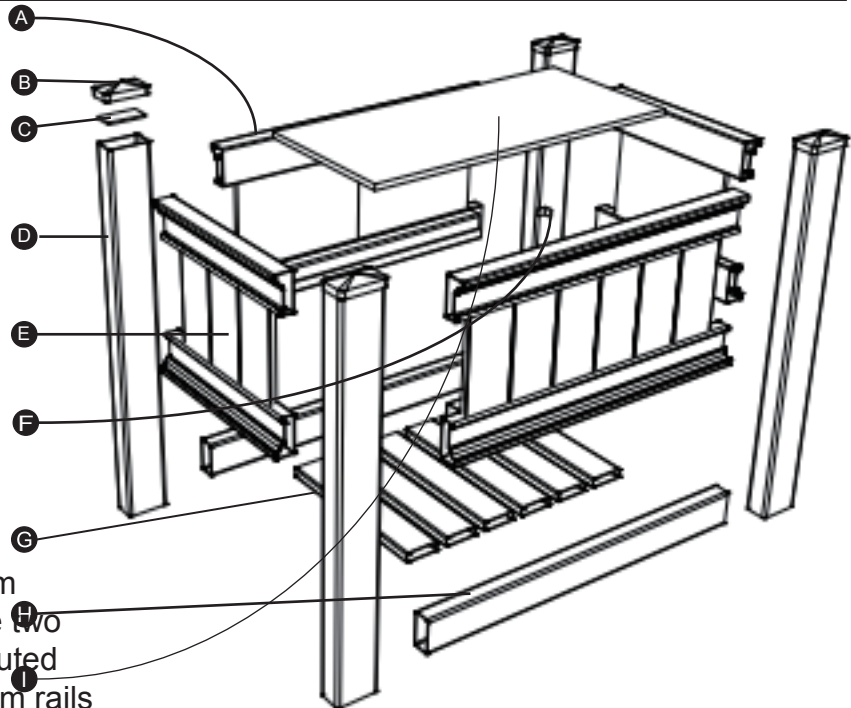


Cordless Drill

Please read through before assembly

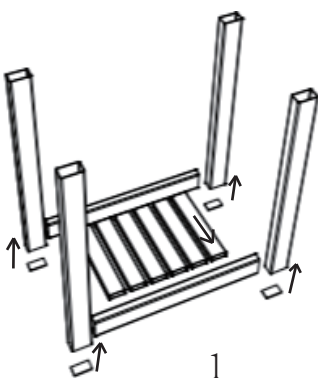
PART LISTS:

- A. Pre-assembled Front Longer Panel (2)
- B. Federation cap for Post (4)
- C. Rail Tie for top and bottom of the post (8)
- D. Pre-routed Post 50.8 x 88.9 x 813mm (4)
- E. Pre-assembled Side Shorter Panel (2)
- F. Corner Connector (4)
- G. Bottom Picket 76.2 x 22.23 x 384mm (6)
- H. Pre-routed Bottom Rail 76.2 x 38.1 x 767mm (2)
- I. PVC foam board for bottom of the top main box of the planter box

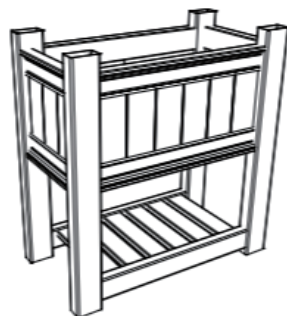


Assembly Steps

1. Stand the 4 posts correctly, insert the 6 bottom pickets into the bottom rail, and then insert the two bottom rail into the bottom holes of the pre-routed posts. Use screws and rail ties to fix the bottom rails
2. Insert the 2 front longer panels and the two side shorter panels into the top holes of the posts. Use screws and rail ties to fix the top rails of the front and side panels. Use 4 corner connectors to connect posts with both sides of the bottom rail of the two side shorter panels
3. Put the PVC foam board into the top main box of the planter box.
4. Put the four federation caps on the posts



1



2



3



4