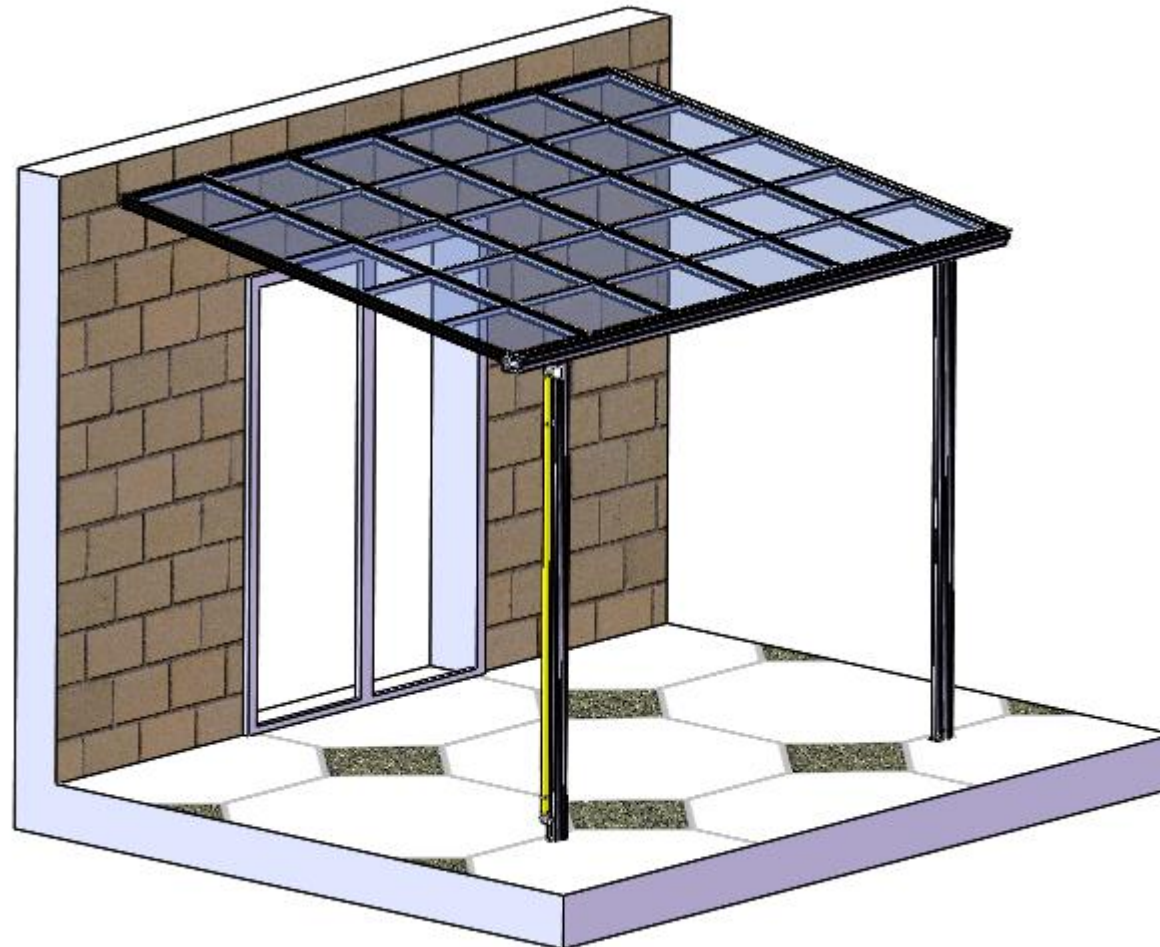


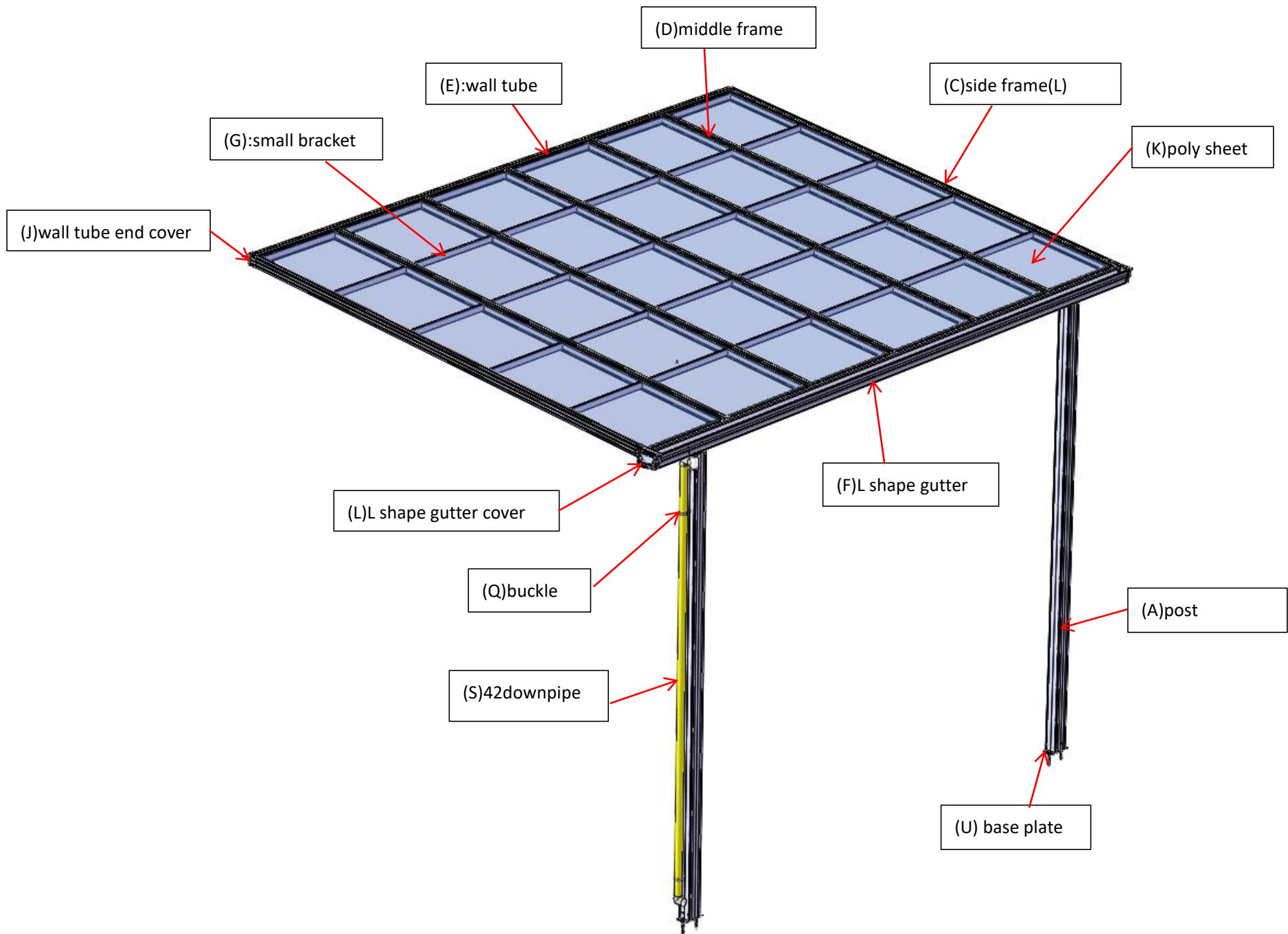


Urban Wall Mounted Patio Cover Collection Installation instruction

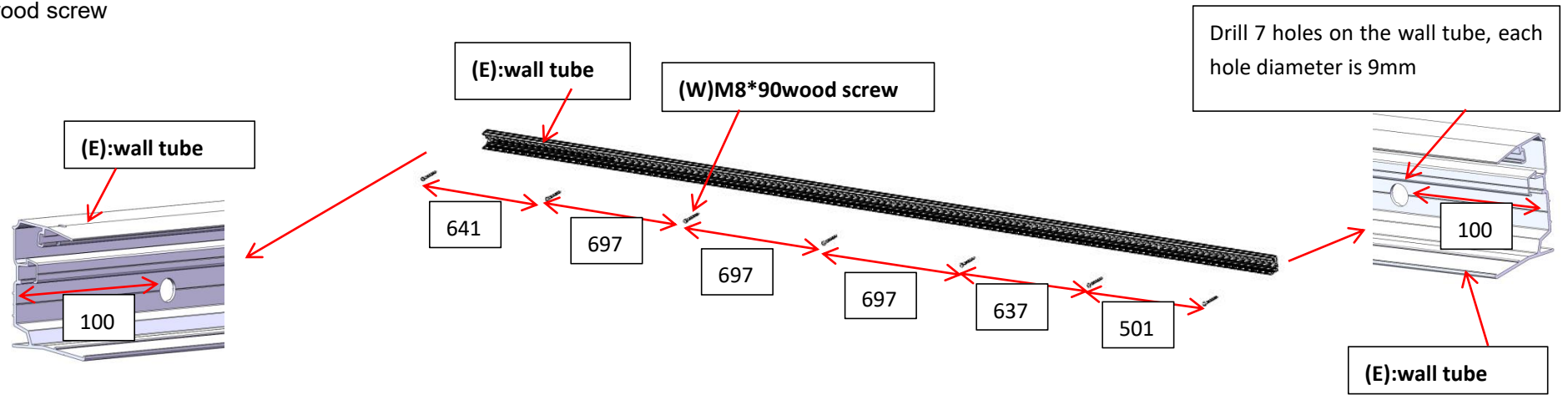


Main Components(canopy: 4M*3M)

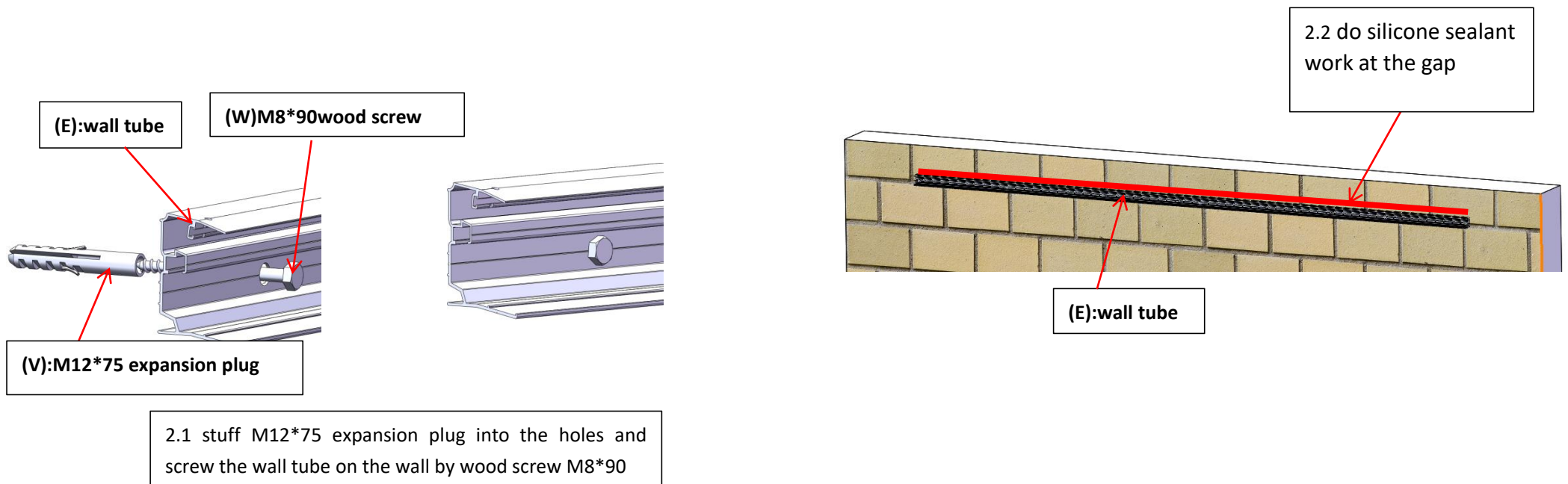
Item code	Photo	Item name	Quantity	Item code	Photo	Item name	Quantity	Item code	Photo	Item name	Quantity
A		post	2	L		L shape gutter end cover	1 pair	W		M8*90 wood screw	11
B		Cover	4	M		Downpipe connector	2	X		Screw 4.2*16	108
C		Side frame	2	N		T connector	2	Y		Screw 4.2*16	4
D		Middle frame	5	O		Water Tube Soft Glue Cushion	2	Z		Hex screw M8*16 (include gasket)	22
E		Wall tube	1	P		downPipe Holder	6	A1		Screw M4*38	6
F		L shape gutter	1	Q		downpipe Clamps	6	B1		M6 expanded plug	4
G		Small bracket	30	R		elbow	6	C1		Screw M4*30	4
H		Hard rubber bush	17	S		42 down pipe	2				
I		M8 bolt cap	10	T		Gutter connector plate	2				
J		Wall tube end cover	One pair	U		Connector	4				
K		Poly sheet	6	V		12*75 expansion plug	11				



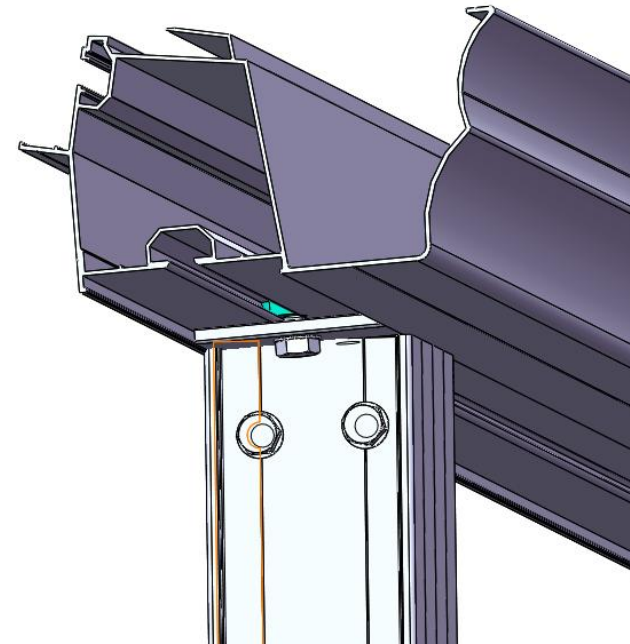
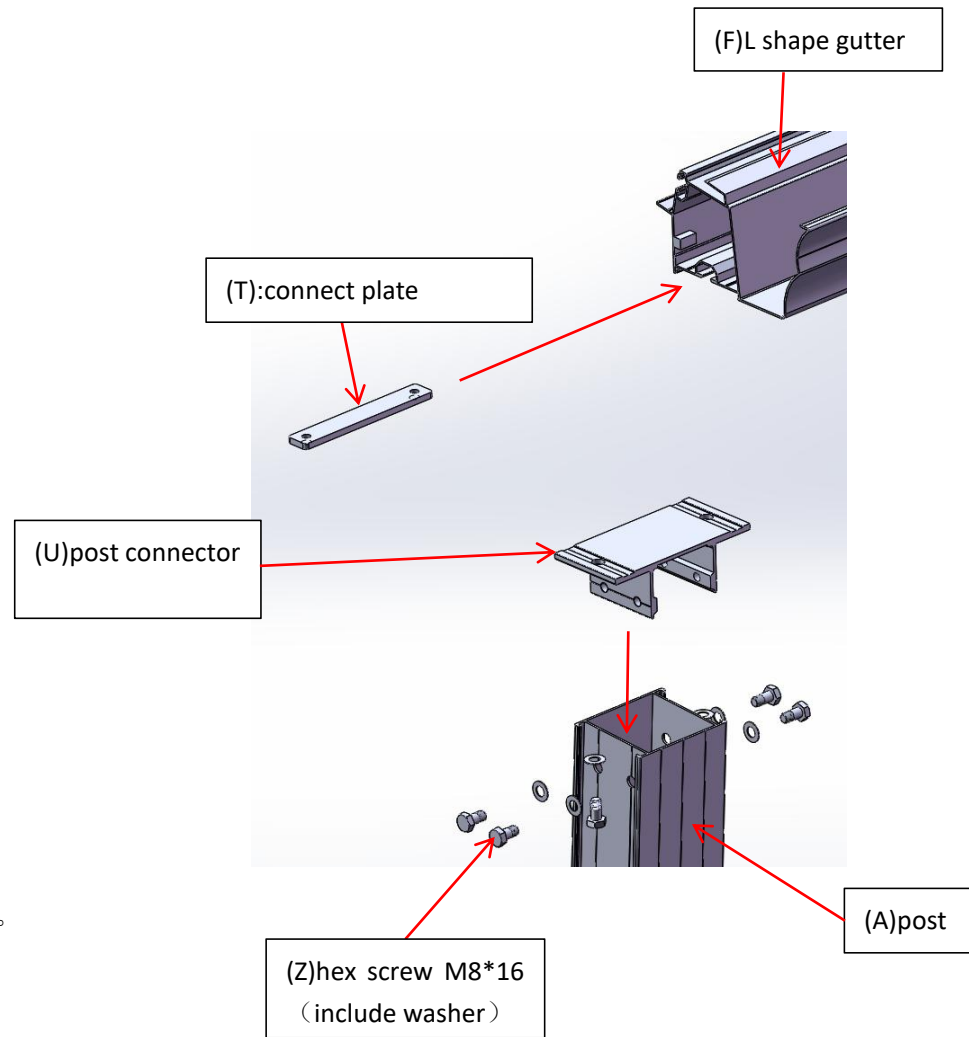
1. Drill the holes on the wall tube and start to screw it on the wall by M8*90 wood screw



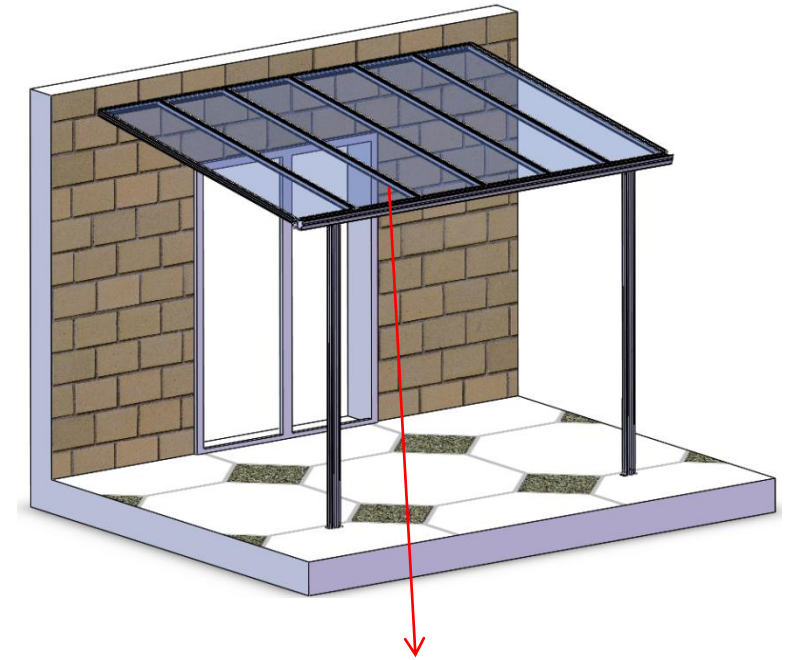
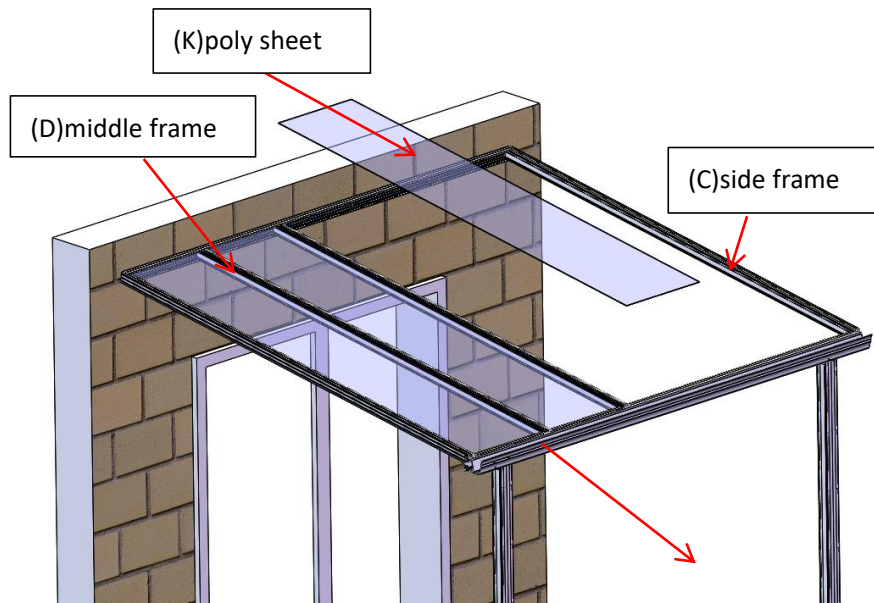
2. drill diameter 12mm holes on the wall tube, depth is 10mm. stuff M12*75 expansion plug into the holes and screw the wall tube on the wall by wood screw M8*90. Don't forget do silicone sealant work at the gap



3. Inset the gutter connector plate into the gutter groove at bottom. Tight the gutter with post by connector and hex M8*16 screw. The other post has same connection



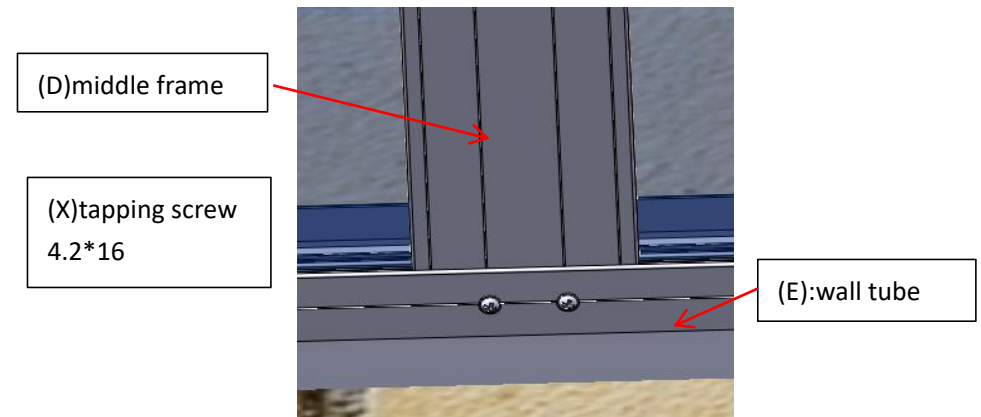
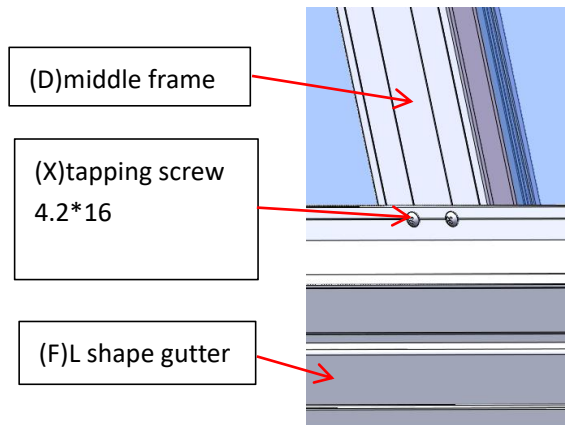
8. Install side frame, middle frame, poly sheet.



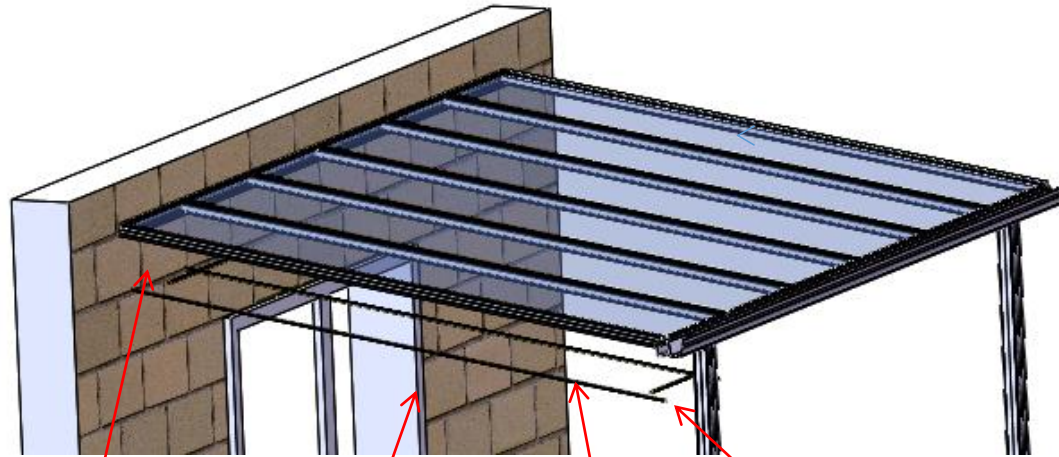
9. install per piece poly sheet and middle frame step by step. When you install the final poly sheet, you can tear part the side frame and put the poly sheet into the groove

9.1 use tapping screw 4.2*16 fix the middle frame with gutter the screw is fixed at the intersectional point

9.2 use tapping screw 4.2*16 assemble the middle frame with wall tube ,the screw is at the intersectional point



10. Inset the Hard Rubber Bush into the gap between poly sheet and middle beam, the bar should be in correct direction and not loosen during using



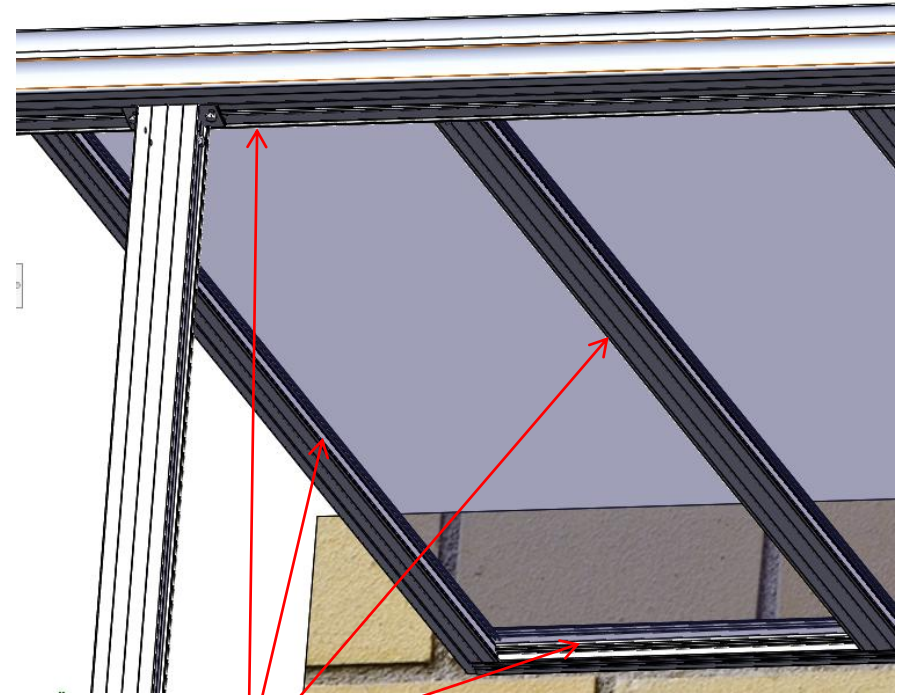
(H) Hard Rubber Bush

(H) Hard Rubber Bush

(H) Hard Rubber Bush

(H) Hard Rubber Bush

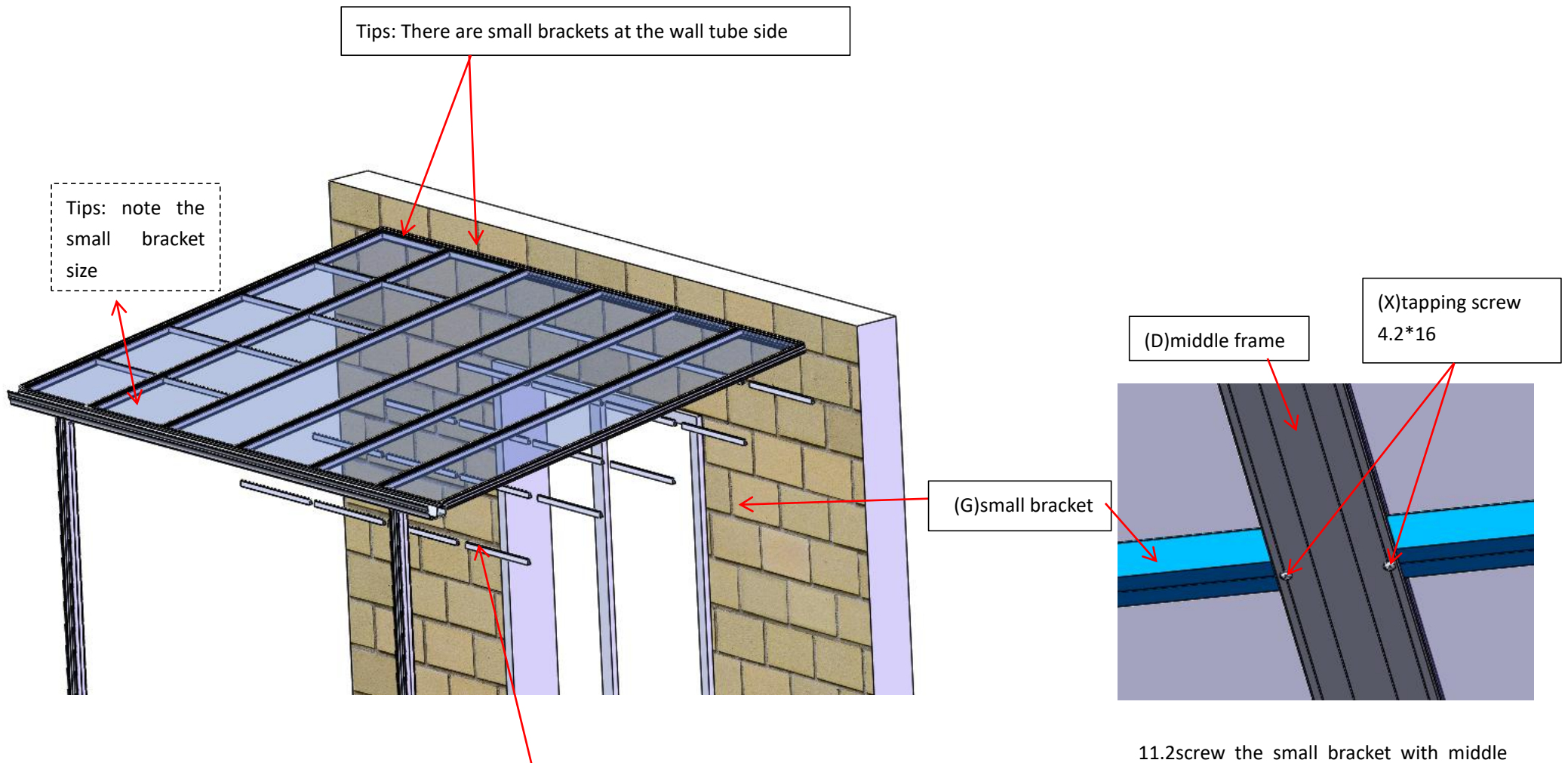
Tips: Hard Rubber Bush should be in correct direction and not loosen during using



Stuff the hard rubber bush from inside

Tips: use rubber hammer and : 100mm*100mm*5mm rubber block

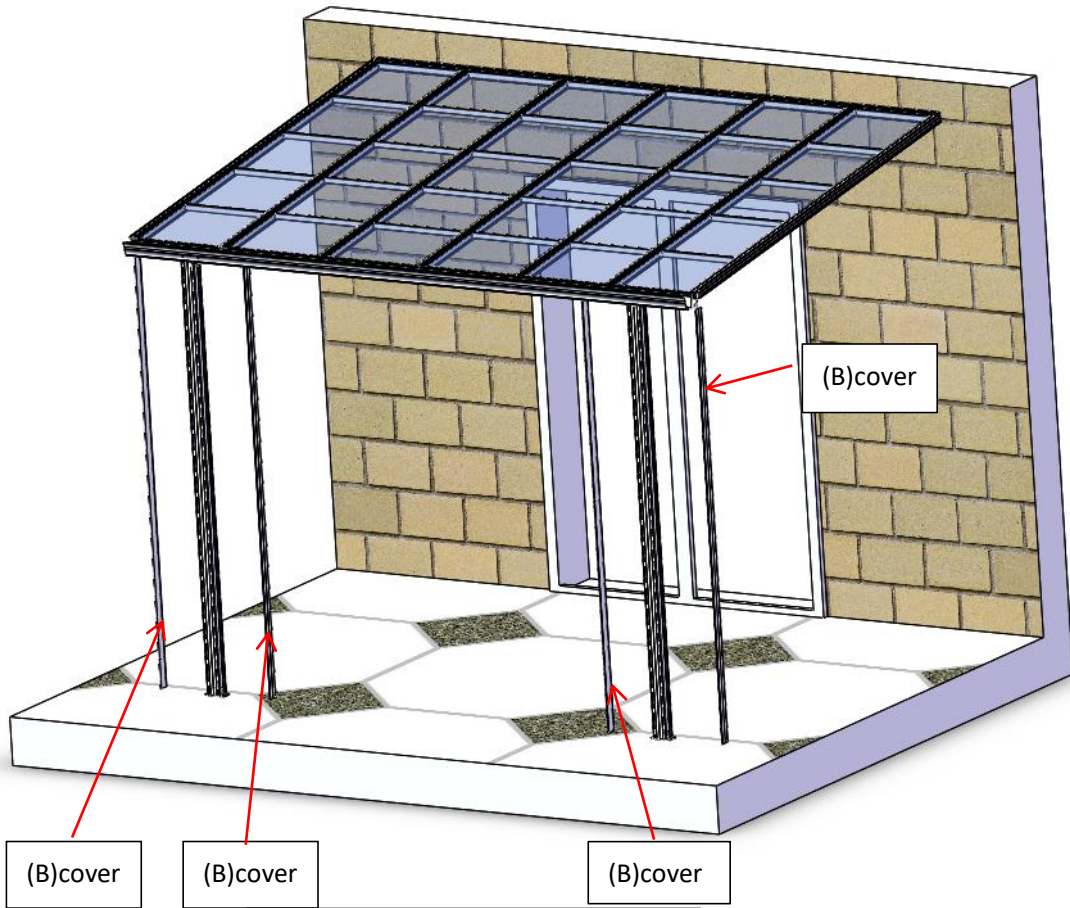
11.install small brackets



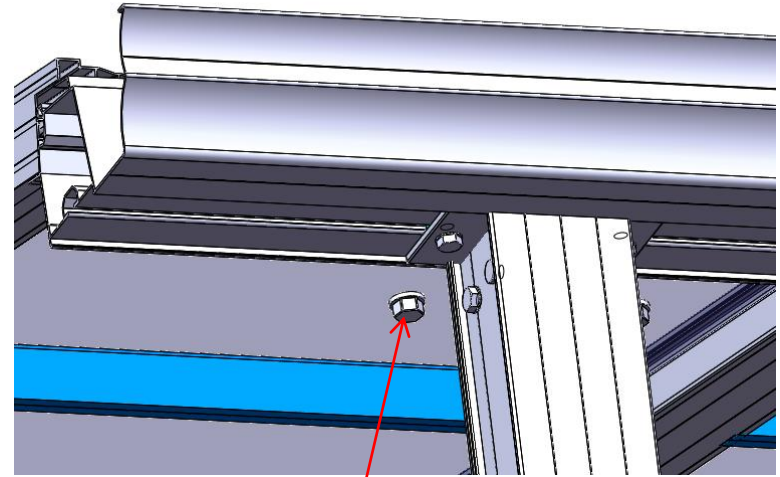
11.1install the small bracket

11.2screw the small bracket with middle frame and side frame

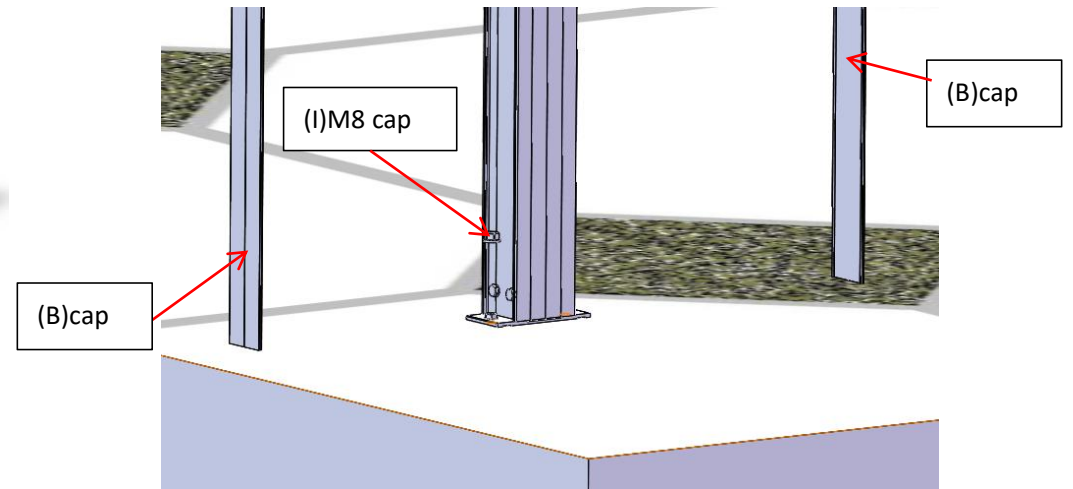
12. Install the post cover



12.1 Install the post cover before the M8 cap



(I)M8 cap

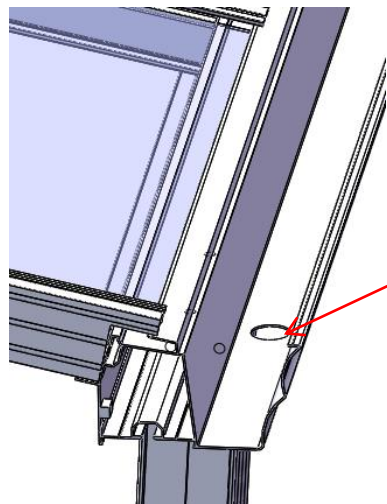
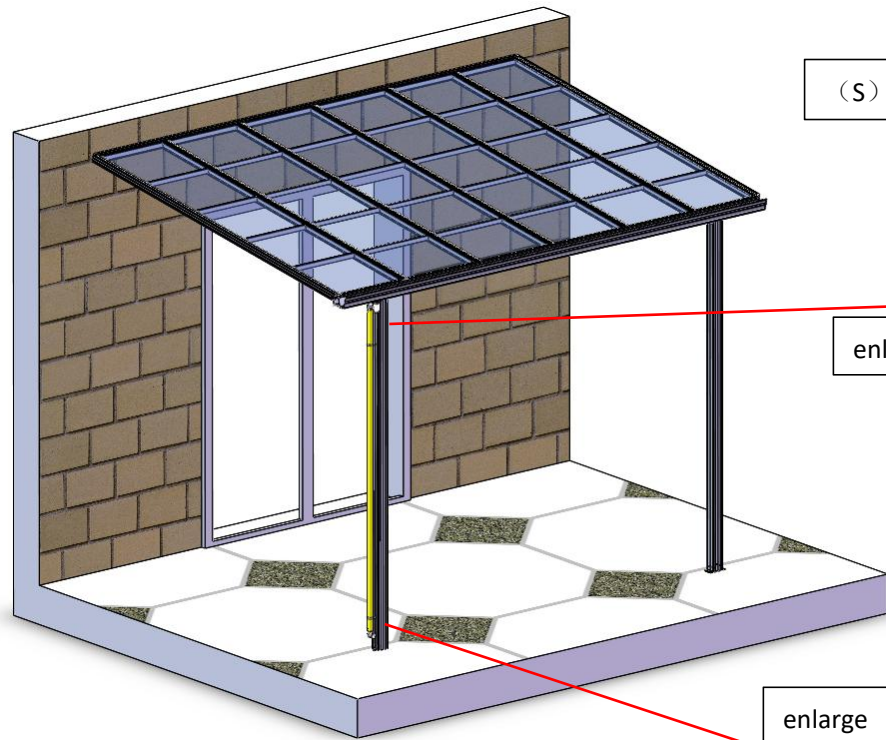


(B)cap

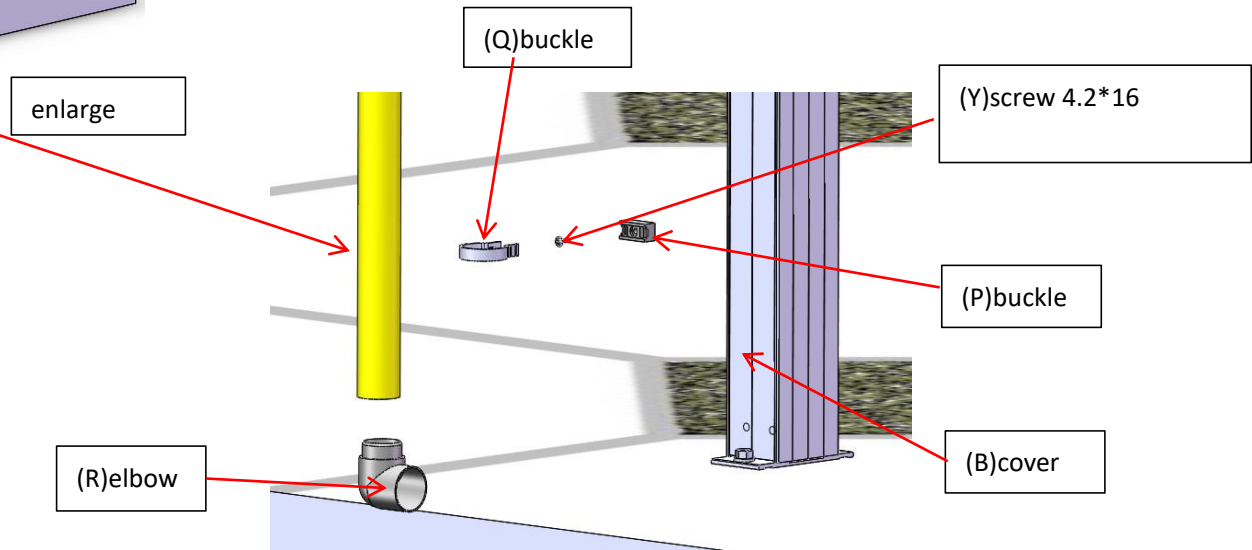
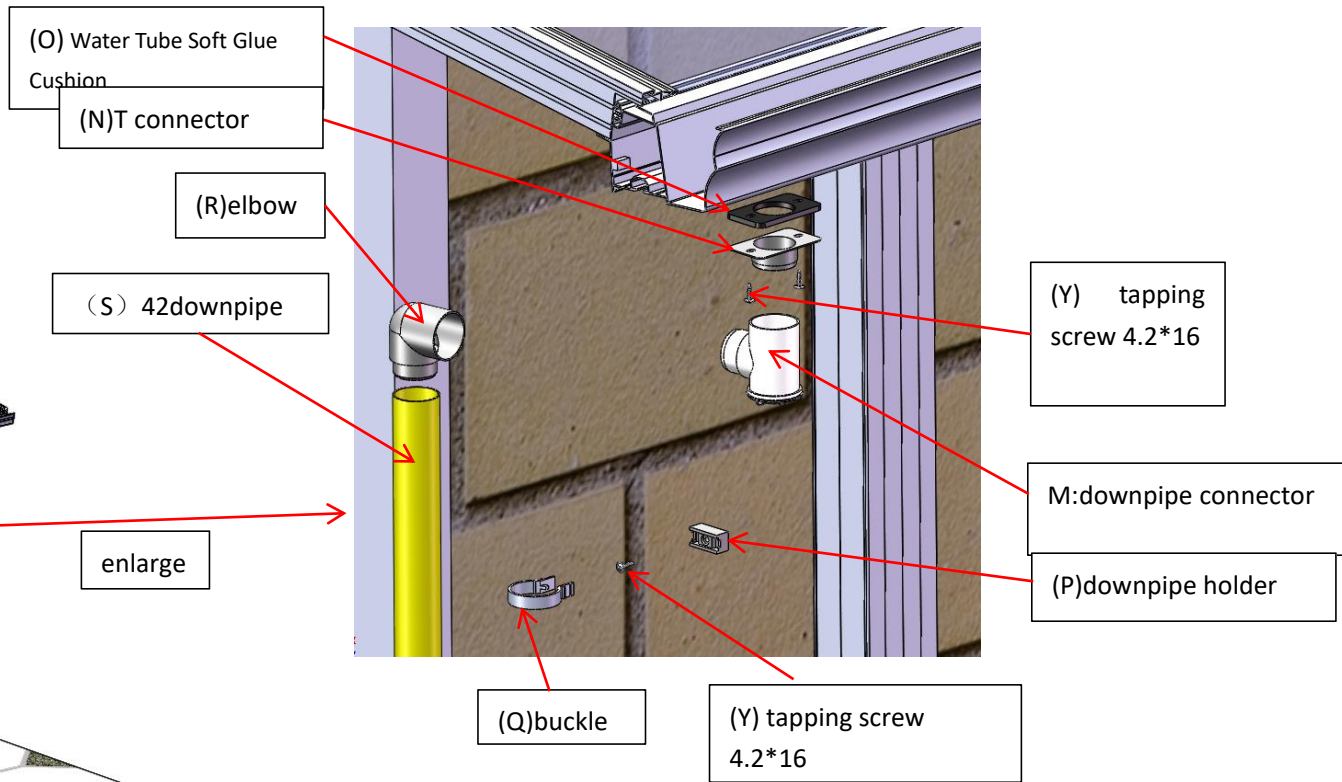
(I)M8 cap

(B)cap

13.You can install the downpipe as your request

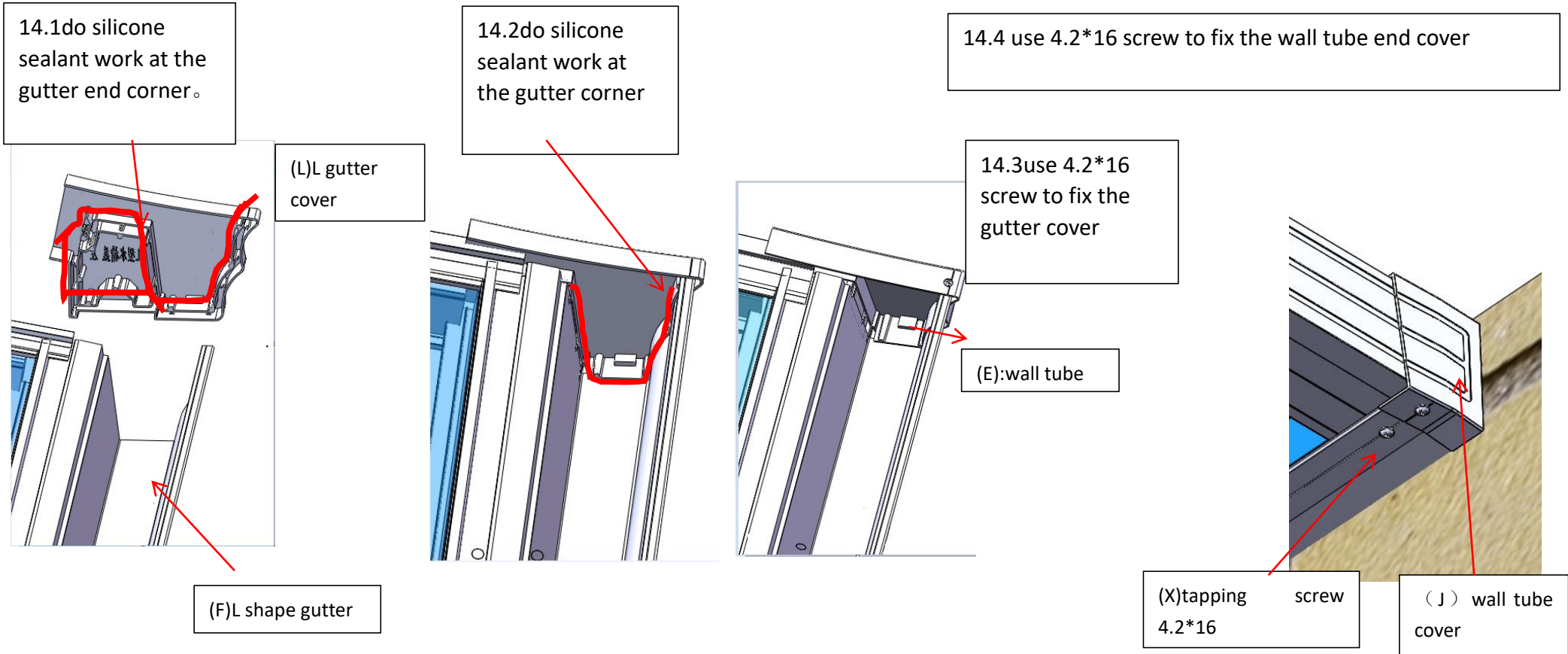


13.1.drill diameter 35mm downpipe hole as your request



13.2usetapping screw 4.2*16 fix the downpipe holder on the post cover

14. Install wall tube cover and gutter end cover



15.complete.

