

## CS19037-2

Customer Name

Qualimax LTD

Length

4.5m

Width

2m

Wall Height

1.2m

Apex Height

2m

Arch Distance

1.0m

# Greenhouse Pack you






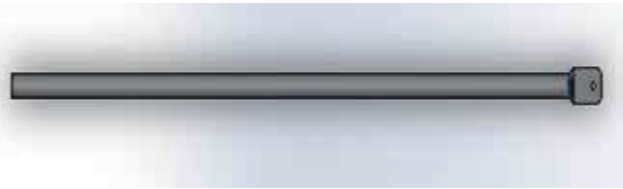

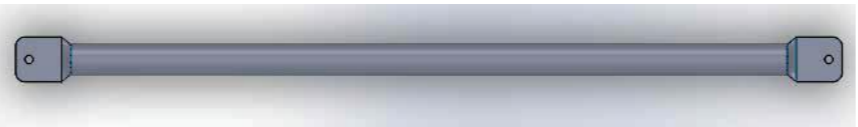
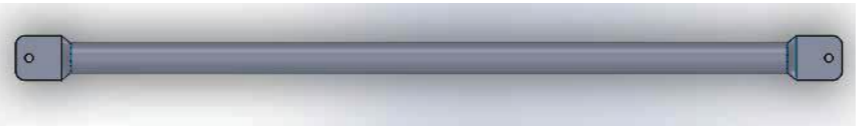
Unpack →





# Material List for one set

LIVING CULTURE

Item NO.	Commodity	Picture	Dimension	Length(m)	Quantity
1	Half arch-1		25*1.2mm	1.0m	6
2	Half arch-2		25*1.2mm	0.73m	12
3	Column		25*1.2mm	2.57m	12
4	End Post-1		25*1.2mm	1m	4
5	End Post-2		25*1.2mm	0.94m	4
6	End side horizontal bar-1		25*1.2mm	0.56m	4
7	End side horizontal bar-2		25*1.2mm	0.8m	1



# Material List for one set

8	Strengthen Bars		25*1.2mm	1.5m	2
9	Head of the Purlin Pole		25*1.2mm	1.5m	5
10	Purlin Pole		25*1.2mm	1.5m	5
11	End of Purlin Pole		25*1.2mm	1.6m	5
12	Aluminum Basement -End-1		25*1.2mm	1.0m	2
13	Aluminum Basement -End-2		25*1.2mm	1.05m	2
14	Aluminum Basement -side		25*1.2mm	1.5m	2
15	Tube Clip		Φ25		200



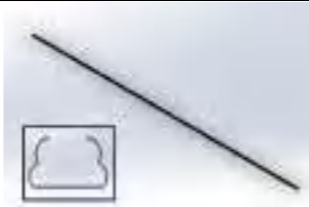







# Material List for one set

16	Clamp 25		Φ25		40
17	Spring clip 25-25				20
18	Sliding door		25*1.2mm	0.8m*1.8m	1
19	Self Screw		5.5*20		120
20	Self Screw		5.5*40		12
21	Bolt Nut M6*30				40
22	Locking Profile-1		1.5m/pc	1.5m	6
23	Locking Profile-2		1.8m/pc	1.8m	4



# Material List for one set

LIVING CULTURE

24	Locking Profile-3		0.8m/pc	0.8m	4
25	Wire for locking profile		1.5m/pc	1.5m	6
26	Wire for locking profile		1.8m/pc	1.8m	4
27	Wire for locking profile		0.8m/pc	0.8m	4
28	Expansion Nuts and Screws		M6		8
29	Expansion Nuts and Screws				4
30	Roof Film		150μm	5.6*3.5m	1
31	End Side Film		150μm	2.5*2.5m	2














# Material List for one set

32	Tube Clip	 Can be in the place of Black Clamp	Φ25		40
33	Connector of the Locking Profile				6
34	Basement Fixer				4



# Tools (by yourself)

Spanner		Tape Measure	
Safety Gloves		Ladder	
Shovel			
Razor Knives			
Pliers			
Hammer		Drilling machine	
Power Drill			
Angle Grinder			





# Installation of half arch ,the top of arch

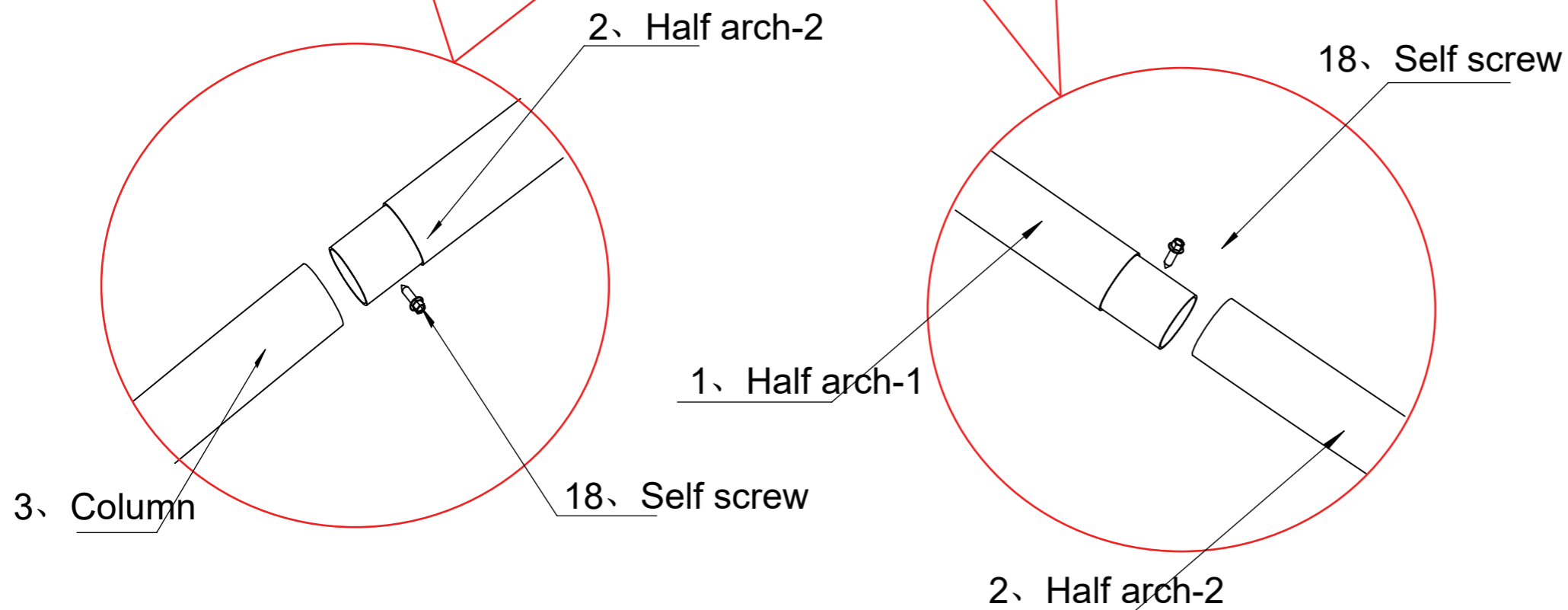
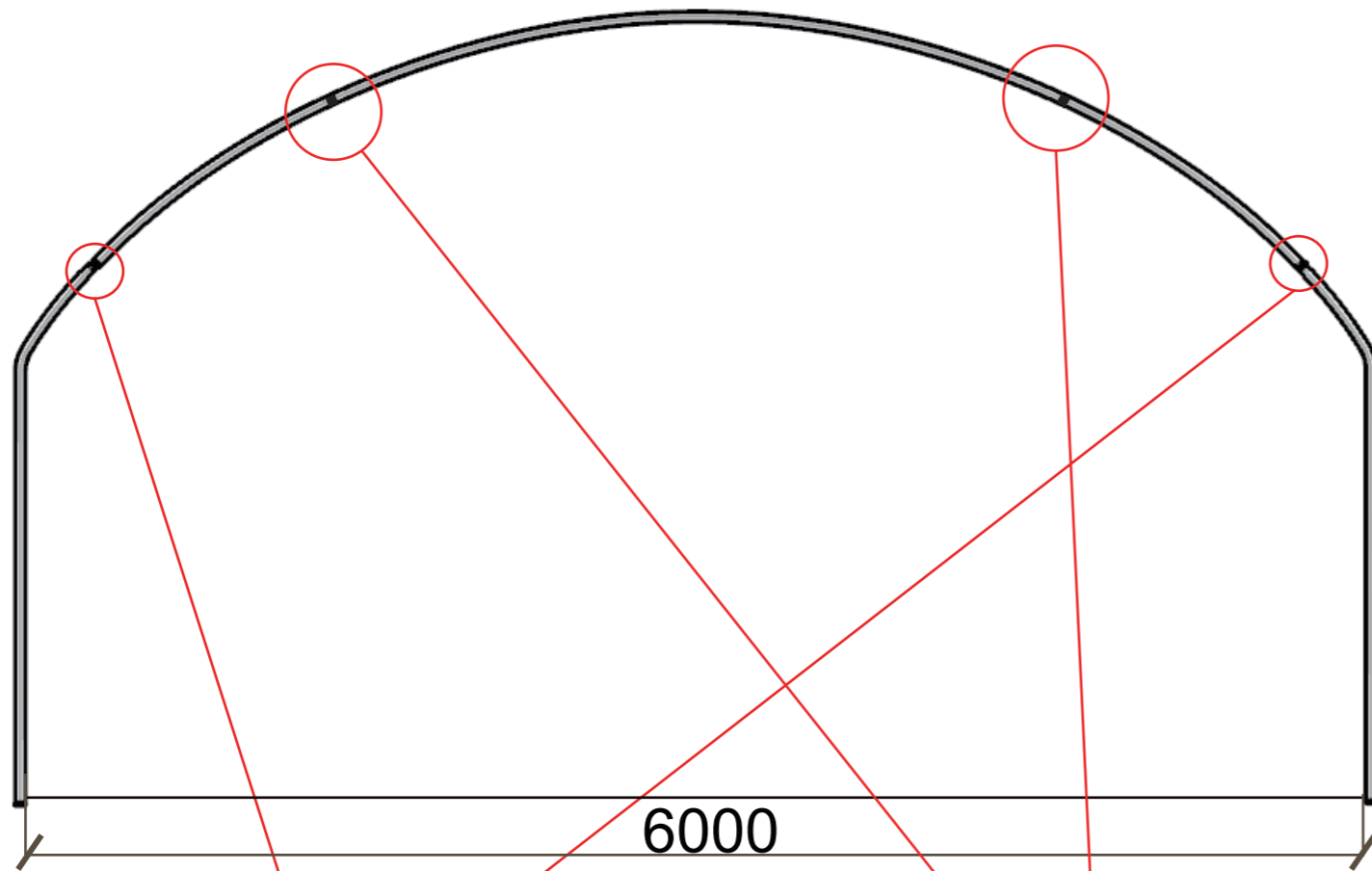


PHOTO AS REFERENCE

Using self screw for connecting of half arch and the top of arch . see the picture.



Company	Qualimax LTD
Designer	LUCY
Auditor	LEO
Scale	1:1000
Date	2021/1/25



# Installation of head of purlin pole

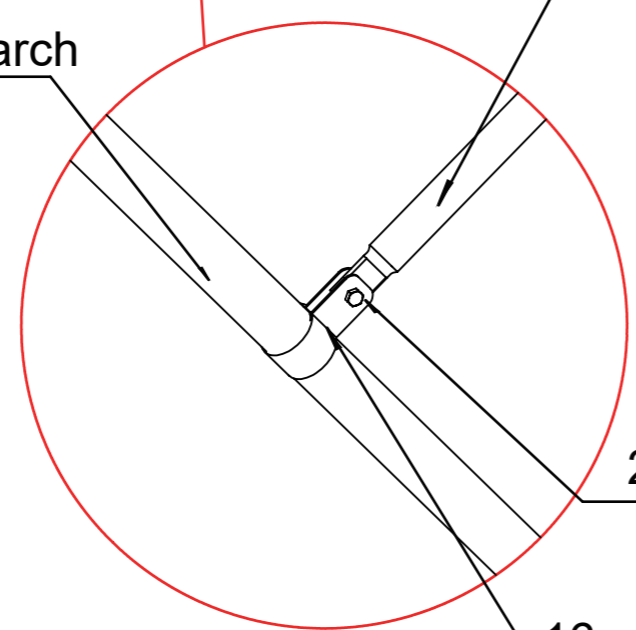


1、 Half arch

9、 Head of the Purlin Pole

21、 Bolt Nut M6

16、 Clamp 25



The head of purlin pole is connected to the arch by Clamp 25.

## PHOTO AS REFERENCE



Company	Qualimax LTD
Designer	LUCY
Auditor	LEO
Scale	1:1000
Date	2021/1/25



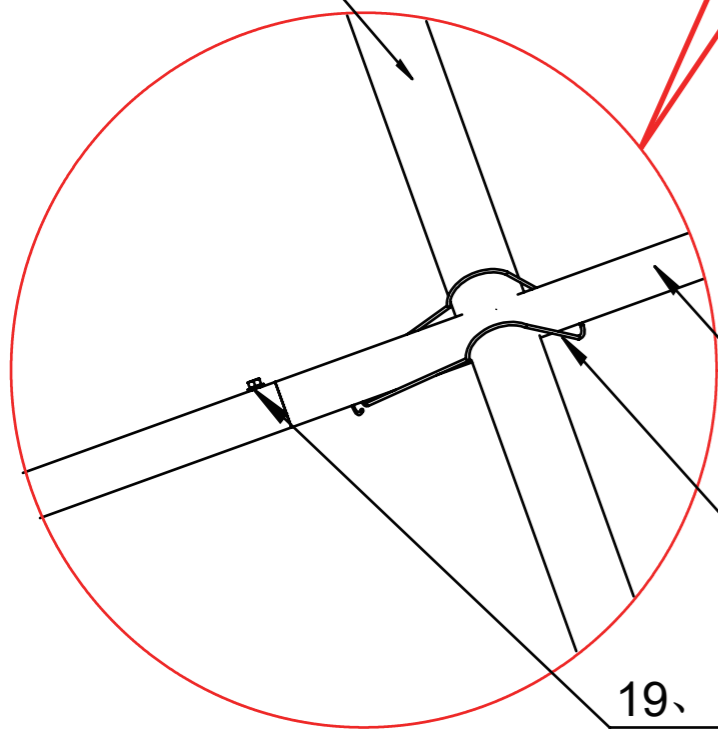
# Installation of Spring clip



## PHOTO AS REFERENCE



1、 Half Arch



9、 Head of the Purlin Pole  
16、 Spring clip 25-25

19、 Self Screw

9、 Head of the Purlin Pole

10、 Purlin Pole

11、 End of Purlin Pole



1.5m



1.5m



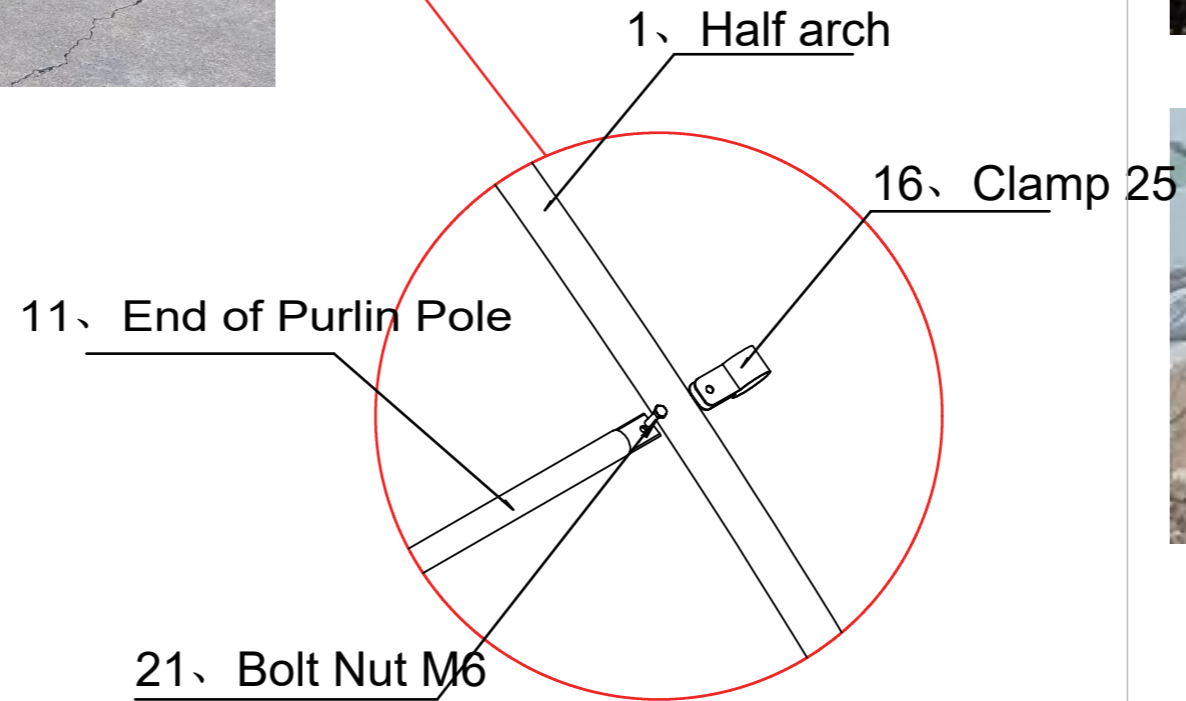
1.6m

1. The purlin pole is connected to the arch by spring clip.

Company	Qualimax LTD
Designer	LUCY
Auditor	LEO
Scale	1:1000
Date	2021/1/25



# Installation of end of purlin pole



## PHOTO AS REFERENCE

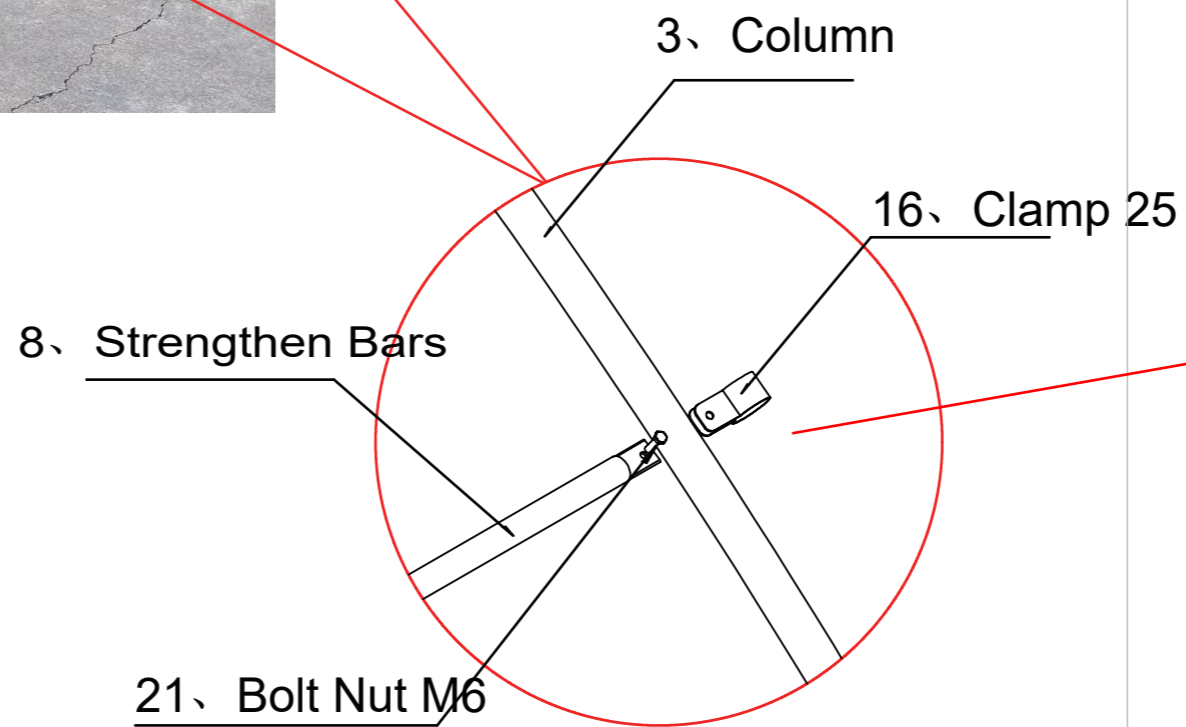


The end of purlin pole is connected to the last arch by clamp 25 and bolt nut M6.

Company	Qualimax LTD
Designer	LUCY
Auditor	LEO
Scale	1:1000
Date	2021/1/25



# Installation of Strengthen Bars



## PHOTO AS REFERENCE



The end of purlin pole is connected to the last arch by clamp 25 and bolt nut M6.

Company	Qualimax LTD
Designer	LUCY
Auditor	LEO
Scale	1:1000
Date	2021/1/25



### Installation of End Post

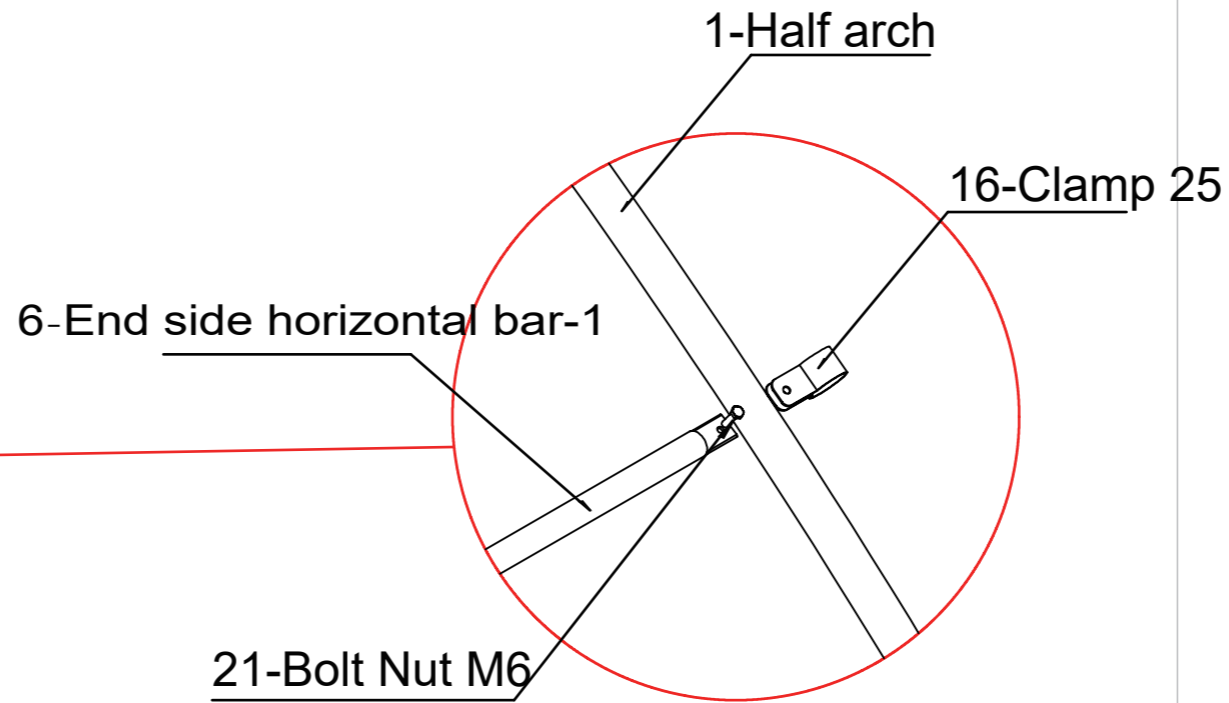
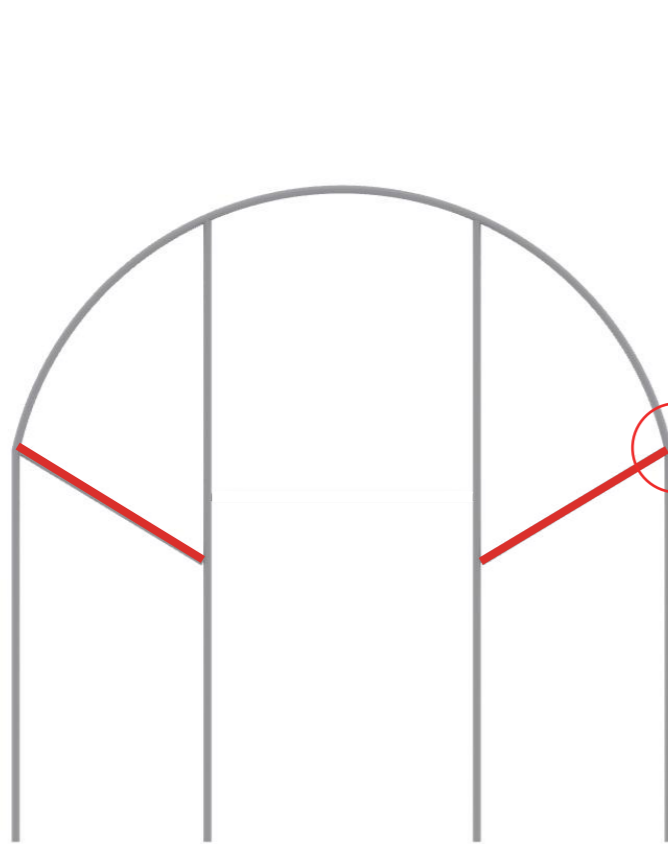
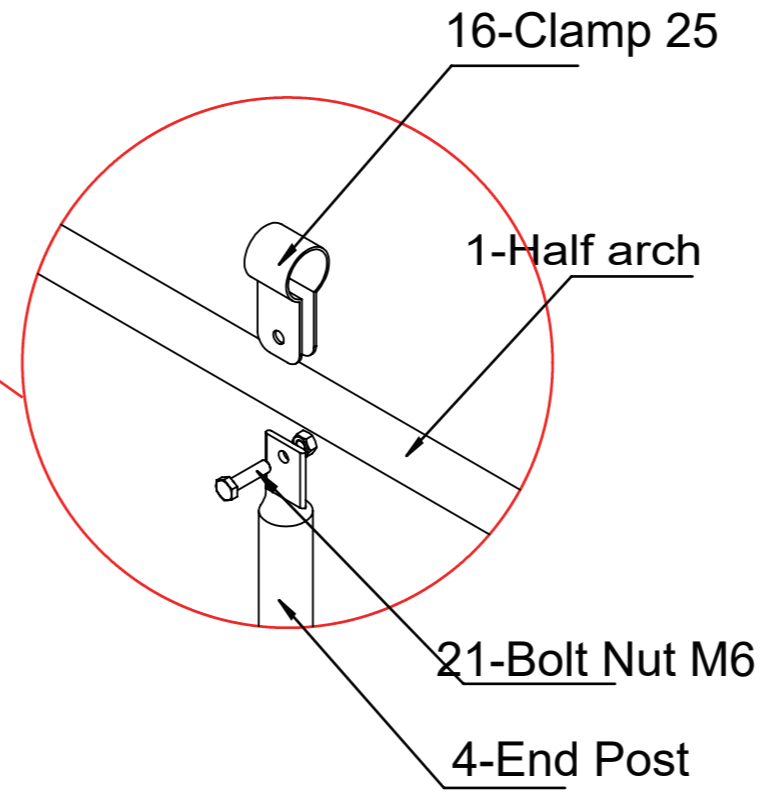
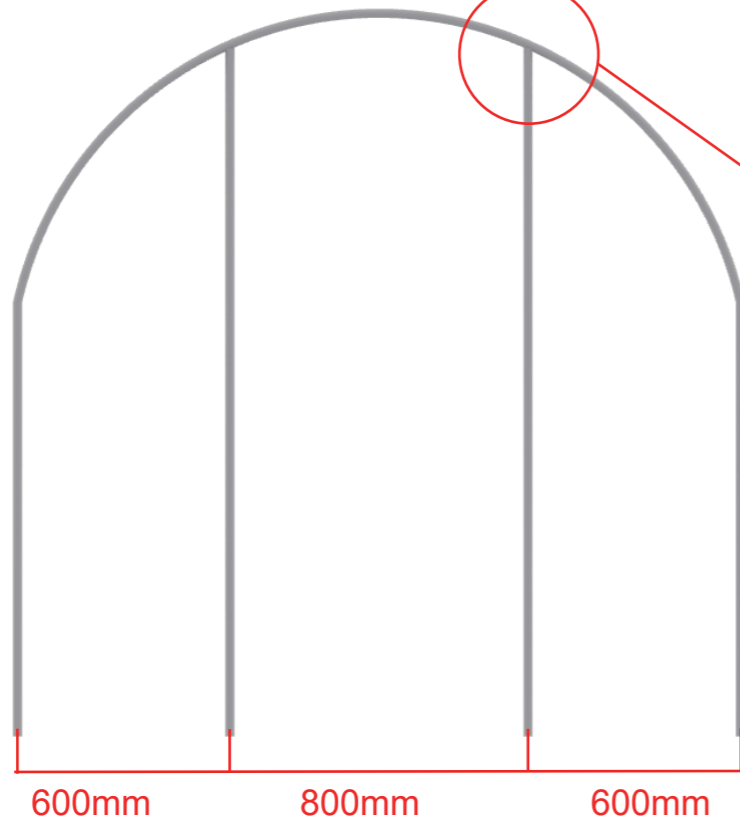
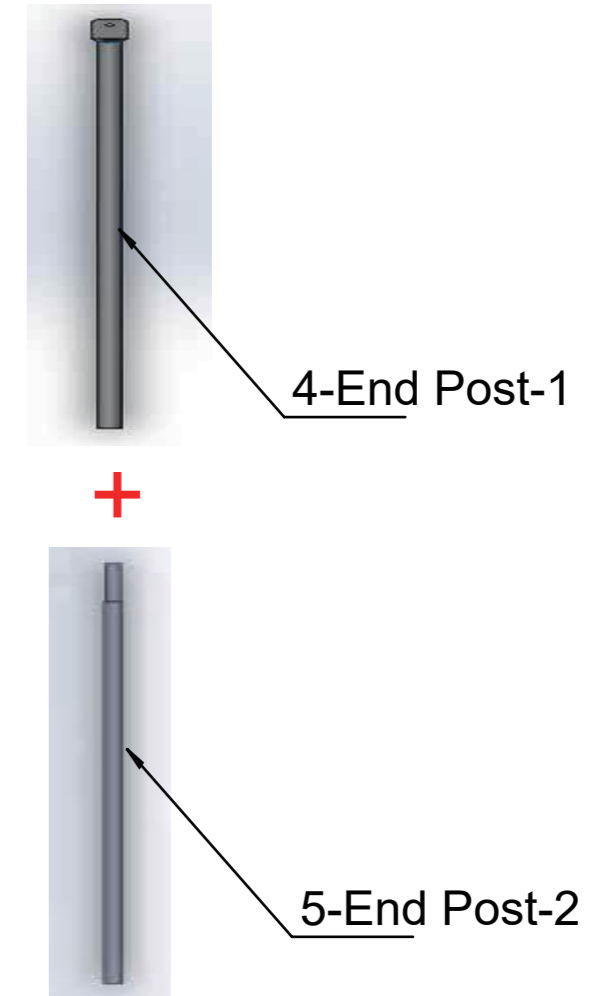


PHOTO AS REFERENCE



Using clamp 25 and bolt nut when connecting half arch and end post.

Company	Qualimax LTD
Designer	LUCY
Auditor	LEO
Scale	1:1000
Date	2021/1/25



LIVING CULTURE

### Installation of End Post (Without door)

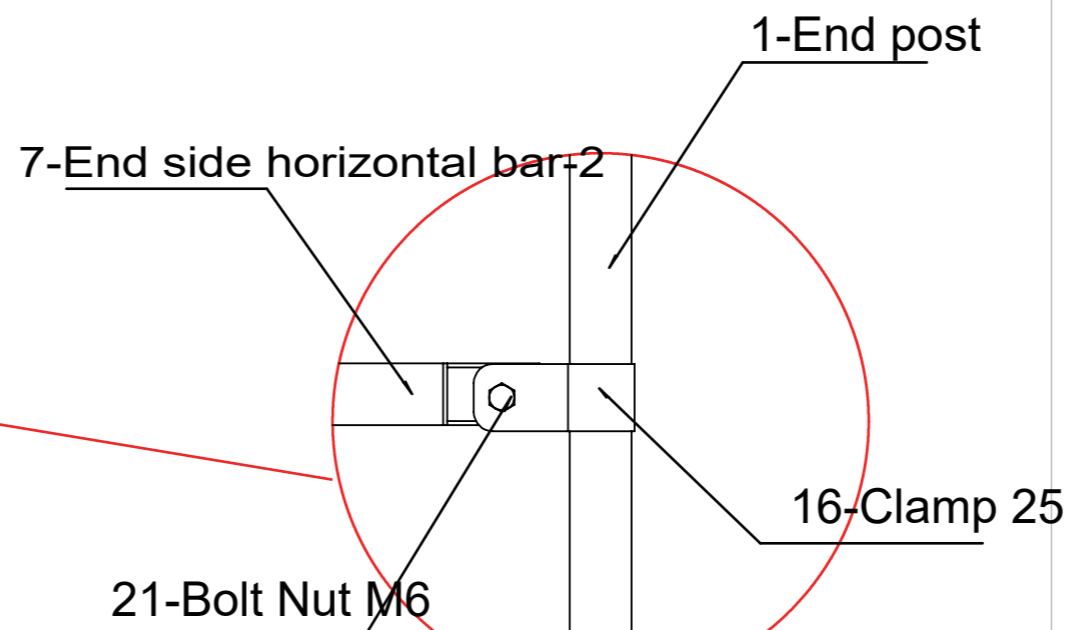
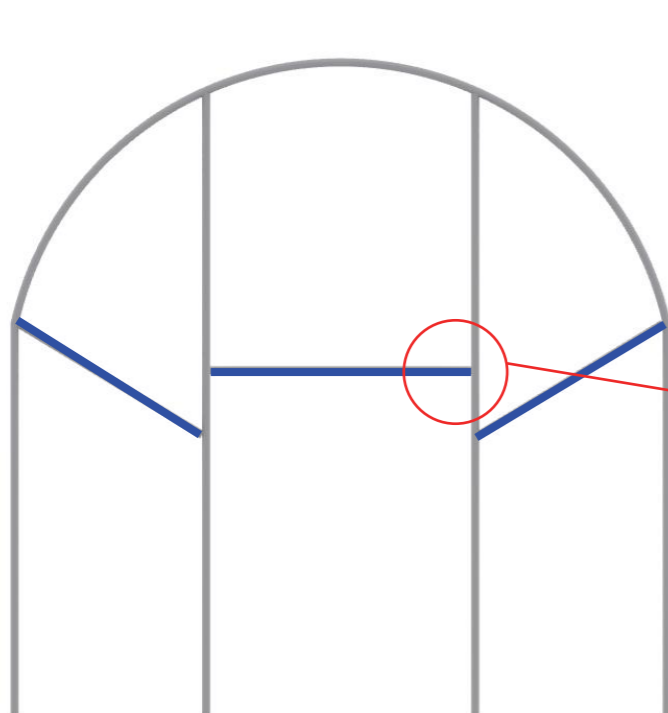
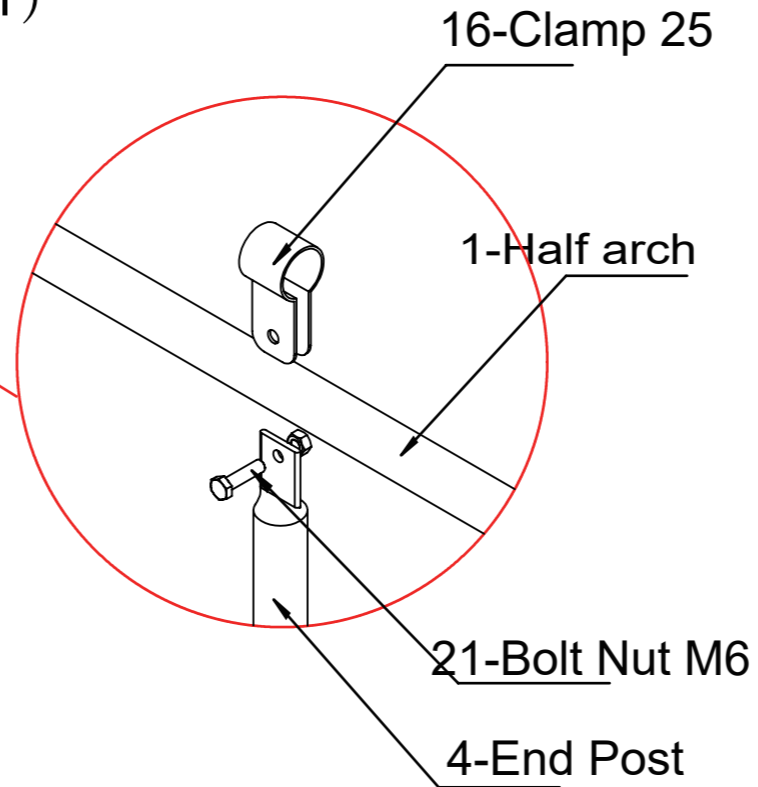
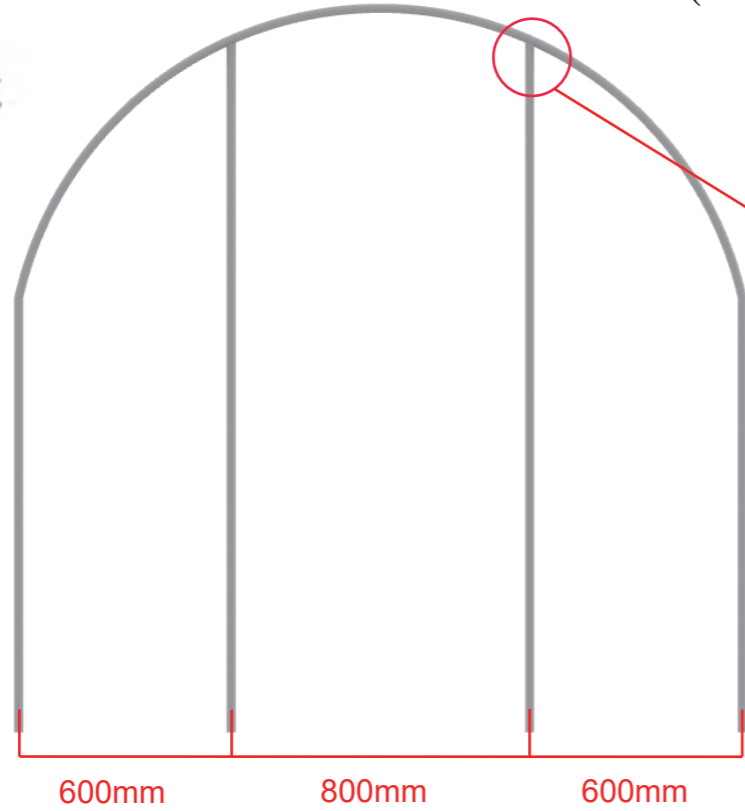
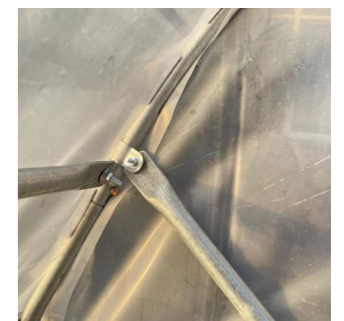
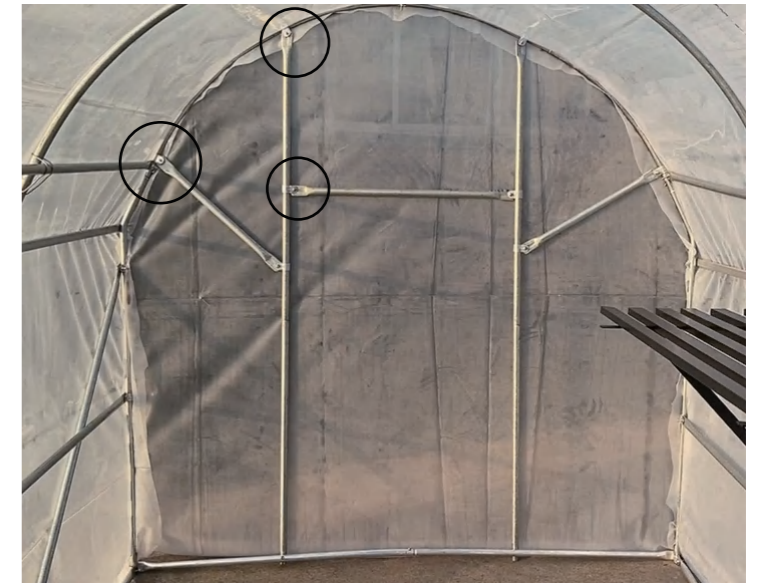
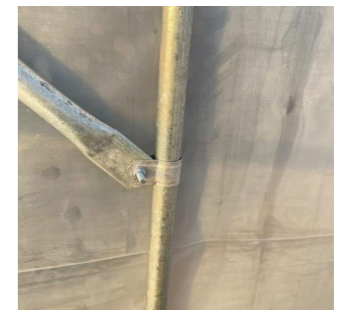
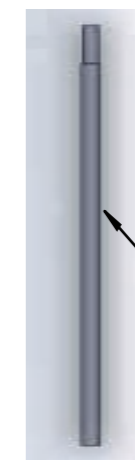


PHOTO AS REFERENCE



4-End Post-1

+



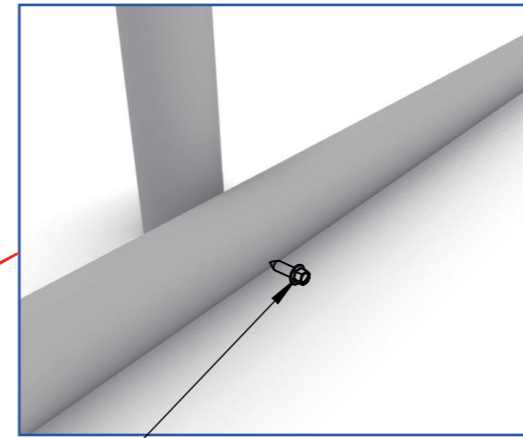
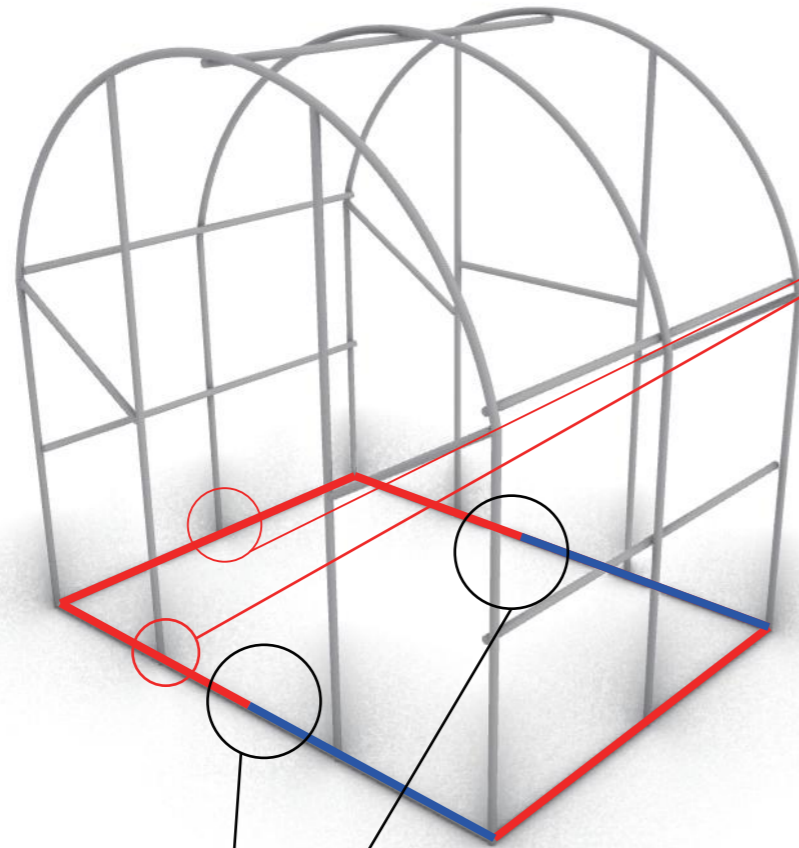
5-End Post-2

Company	Qualimax LTD
Designer	LUCY
Auditor	LEO
Scale	1:1000
Date	2021/1/25



LIVING CULTURE

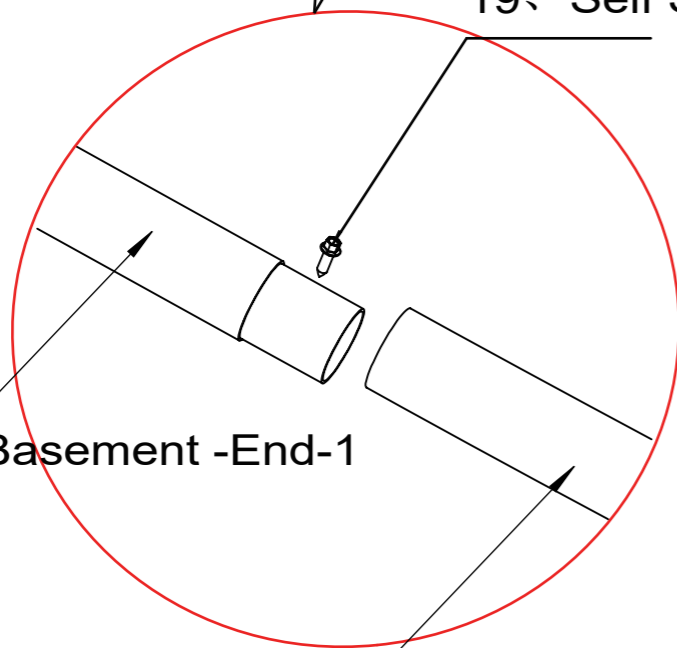
# Install the bottom frame



20、 Self Screw



19、 Self Screw



12、 Aluminum Basement -End-1

13、 Aluminum Basement -End-2

Suggestions: Use basement fixer install the greenhouse Base onto concrete floor or Wood Frame for better stability.

## PHOTO AS REFERENCE



Company	Qualimax LTD
Designer	LUCY
Auditor	LEO
Scale	1:1000
Date	2021/1/25





# Installation of locking profile

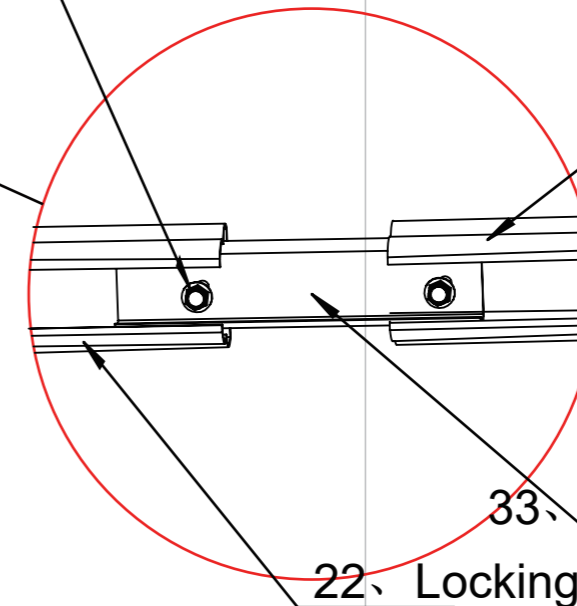


PHOTO AS REFERENCE



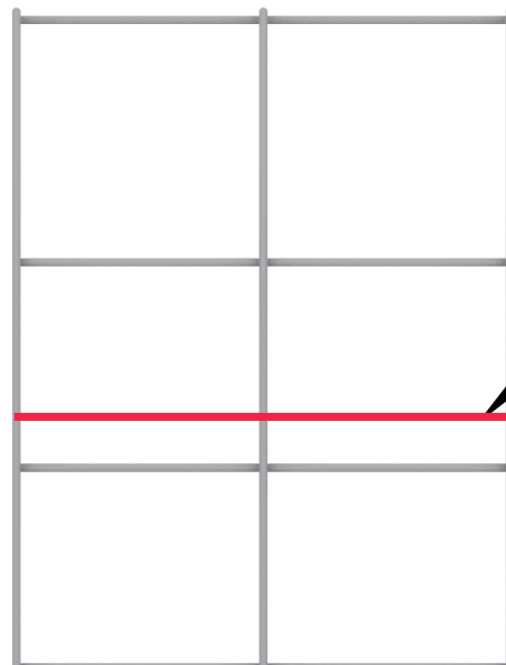
20、 Self Screw

22、 Locking profile-1



33、 Connector of the locking profile

22、 Locking profile-1



22、 Locking Profile-1

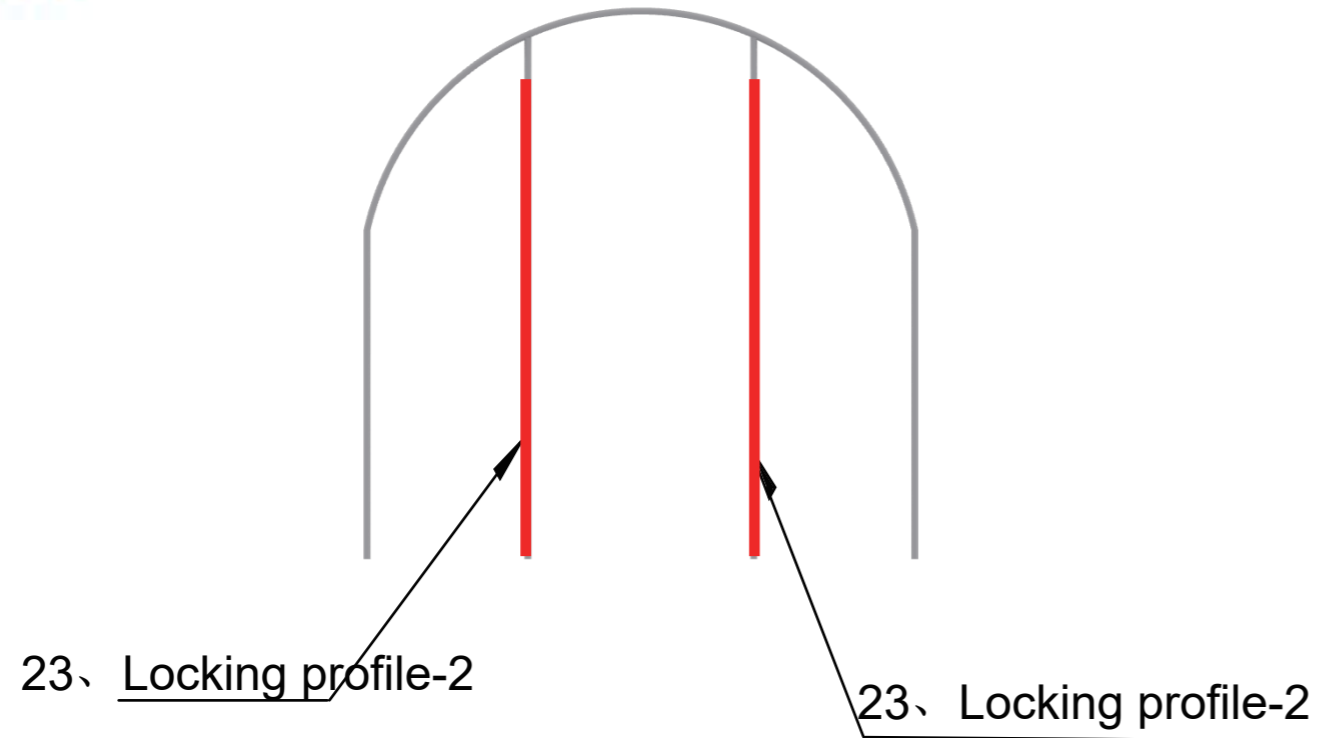


Company	Qualimax LTD
Designer	LUCY
Auditor	LEO
Scale	1:1000
Date	2021/1/25



LIVING CULTURE

# Installation of locking profile for end side



Front



## PHOTO AS REFERENCE

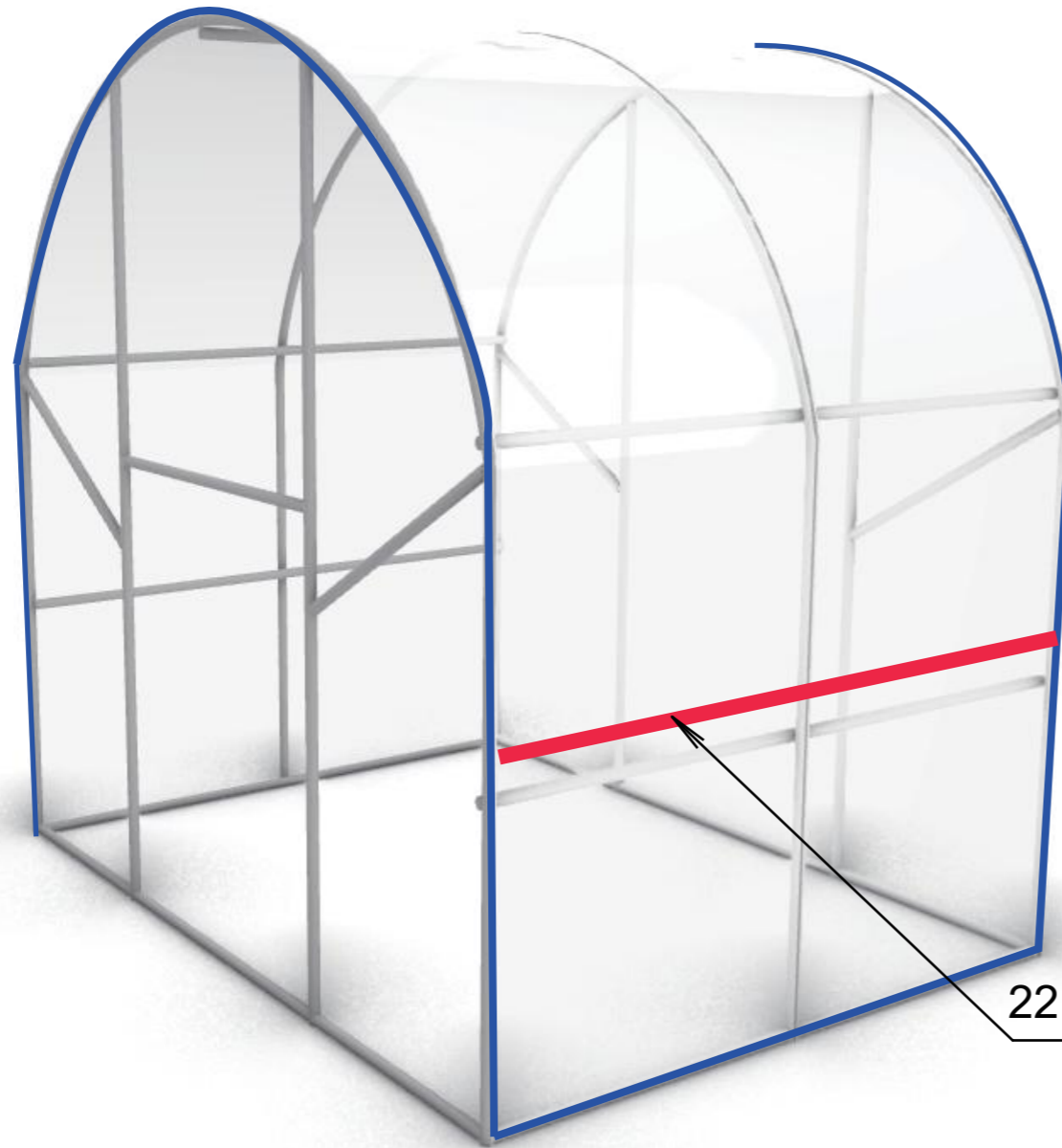


Company	Qualimax LTD
Designer	LUCY
Auditor	LEO
Scale	1:1000
Date	2021/1/25



LIVING CULTURE

# Installation of roof film



22、 Locking Profile-1



OR

## PHOTO AS REFERENCE



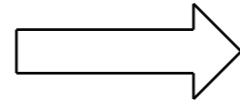
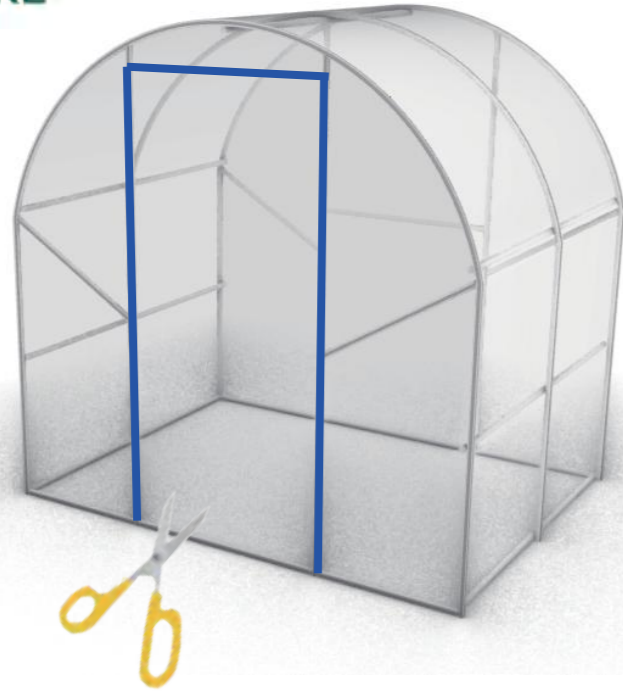
Use a clamp to snap the top membrane to the arches at both ends

Company	Qualimax LTD
Designer	LUCY
Auditor	LEO
Scale	1:1000
Date	2021/1/19



LIVING CULTURE

# Installation of End Side Film



Front



Behind



PHOTO AS REFERENCE

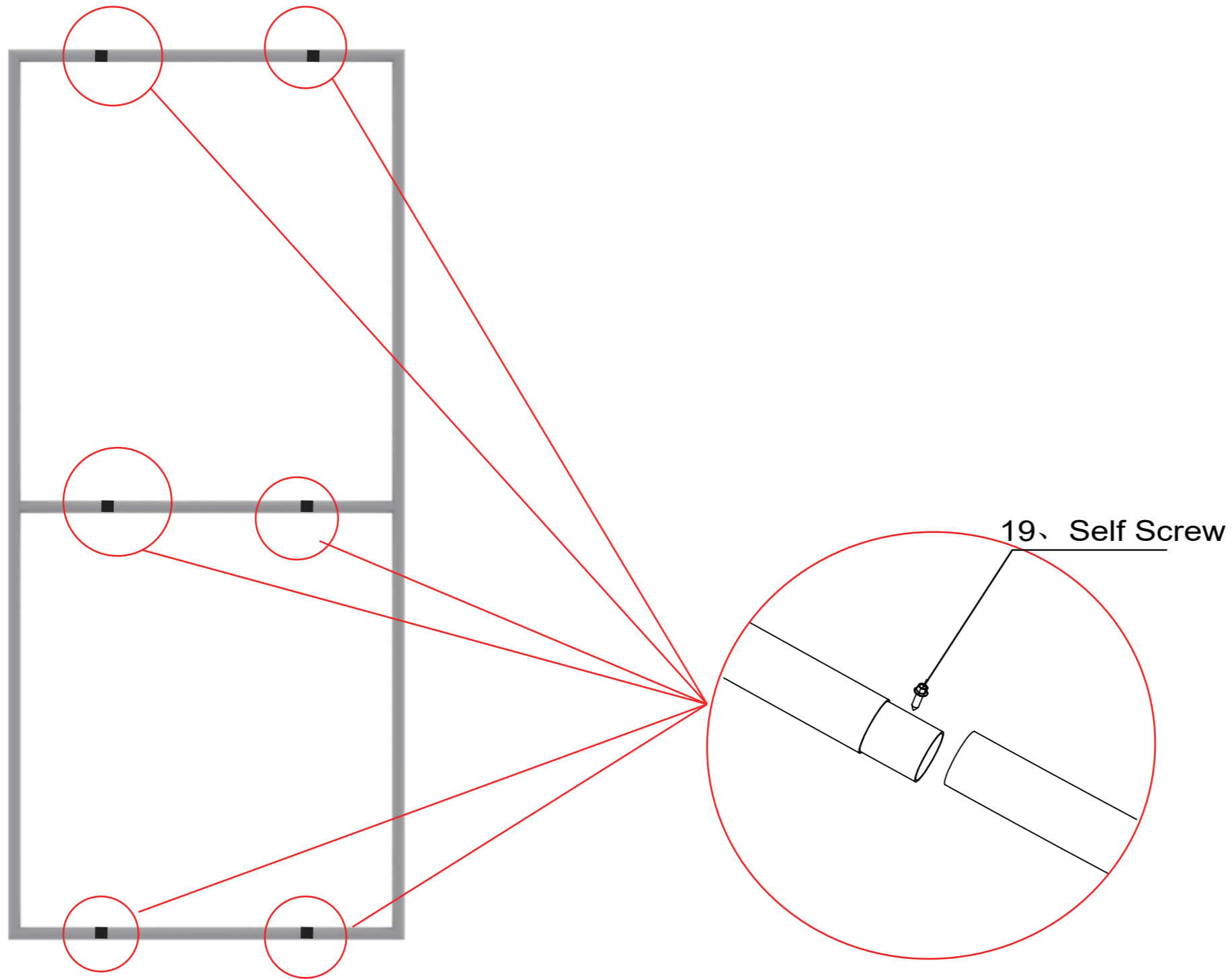


Can be in the place of White Clamp

Company	Qualimax LTD
Designer	LUCY
Auditor	LEO
Scale	1:1000
Date	2021/1/25



# .Installation of door



## PHOTO AS REFERENCE



Company	Qualimax LTD
Designer	LUCY
Auditor	LEO
Scale	1:1000
Date	2021/1/25