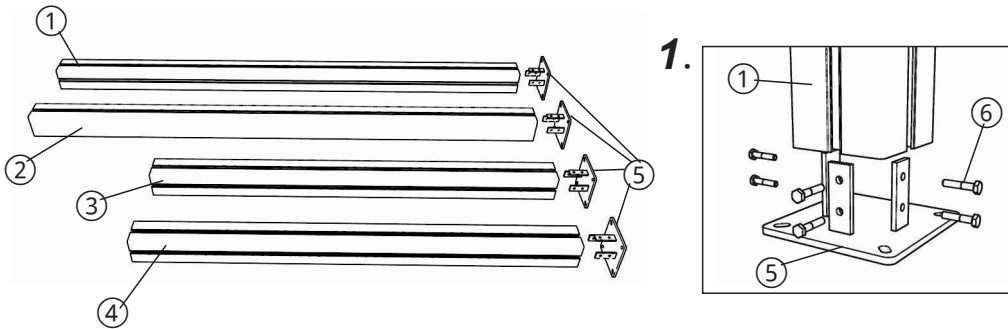


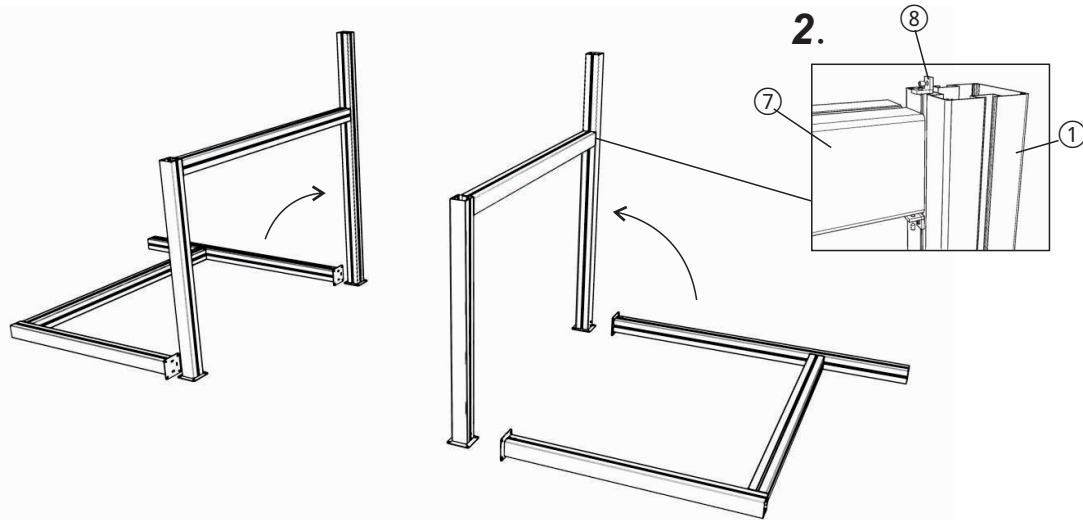
Assembly Instructions

Parts in step 1: Front post ① ② ,Back post③ ④ ,basepart⑤ ,screw ⑥



1.Put the four posts into the basepart and screw them.

Parts in step 2 : Beam⑦ ,L-Shape Bracket

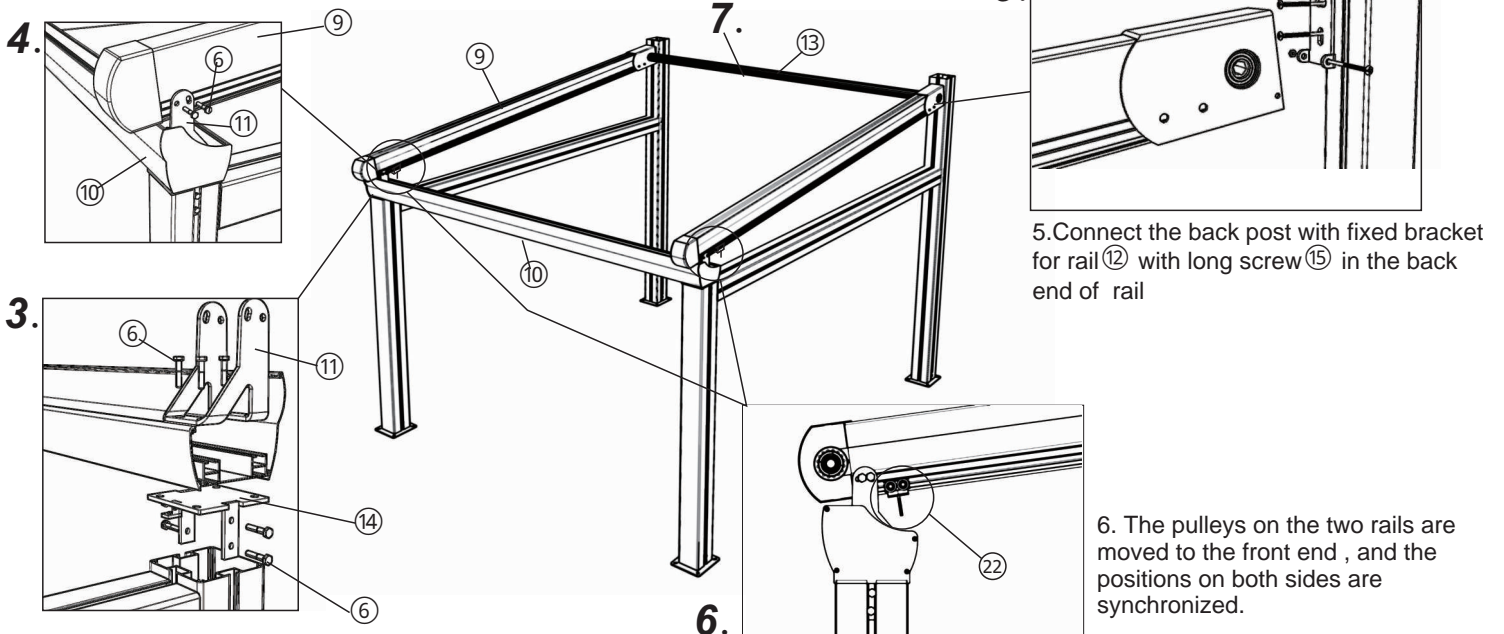


2.Connect the front post and back post with beam by L-Shape Bracket

Parts in step 3 : Rail⑨ , Gutter⑩ , Support Bracket for Rail ⑪ , Fixed Bracket for Rail⑫ , screw⑥ , Motor Shaft ⑬,Gutter Connecting Part⑭ ,Long screws⑮ ,Pulley Wheel ⑰

4.Install the rail ,connect the support bracket for rail ⑪ and gutter ⑩ in the front end of rail

7.Insert the motor shaft ⑬ into the two holes of the back end of the rail

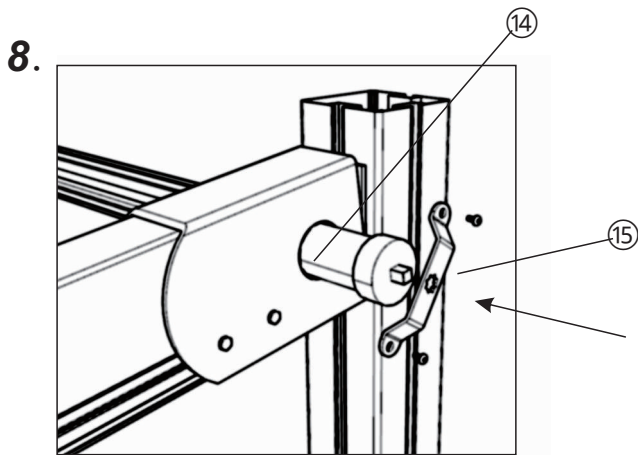


5.Connect the back post with fixed bracket for rail ⑫ with long screw ⑮ in the back end of rail

3.Install the gutter , connect the gutter and front post with gutter connecting part ⑭

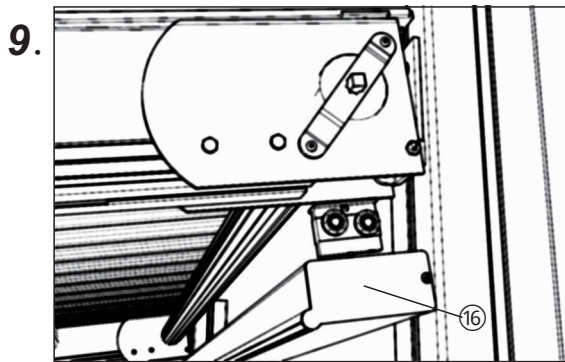
6. The pulleys on the two rails are moved to the front end , and the positions on both sides are synchronized.

Parts in step 4 : Motor¹⁴ Fixed part for motor¹⁵

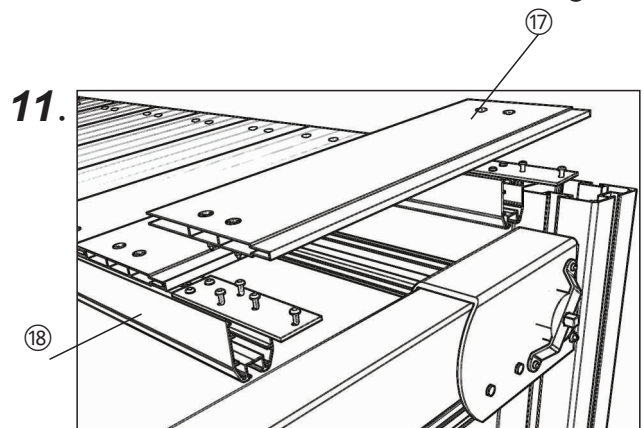


8. Put the motor¹⁴ into the motor shaft from the side and fixed it with the fixed part for motor¹⁵

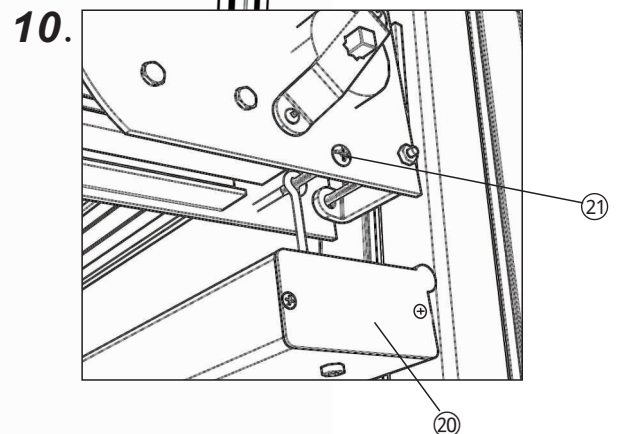
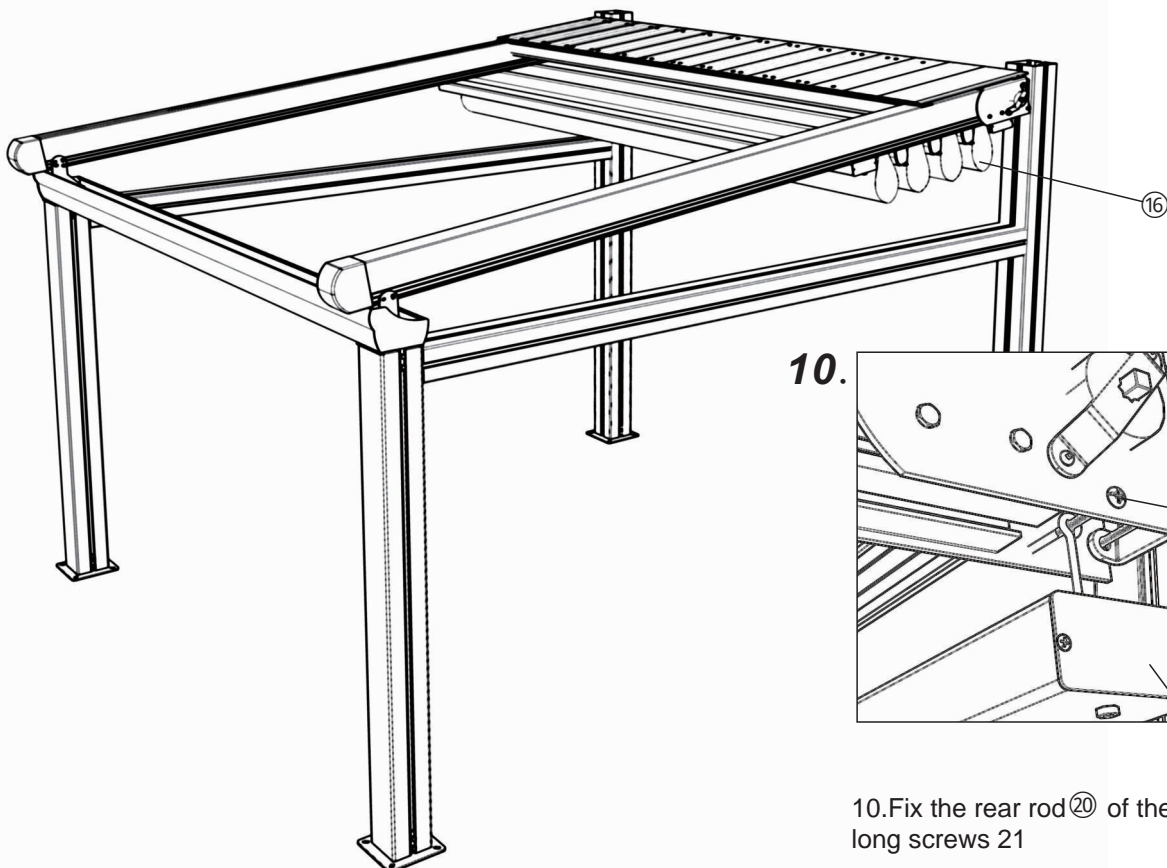
Parts in step 5 : PVC fabric¹⁶, Water baffle¹⁷, Cross bar¹⁸, Screw¹⁹, Rear Rod²⁰, Long screws 21



9. Install the PVC fabric , Insert the pulley from the below of the back end of the rail



11. Install the water baffle¹⁷ , first fix the cross bar¹⁸ between the two rail , then fix the water baffle¹⁷ in sequence



10. Fix the rear rod²⁰ of the PVC fabric with long screws 21