

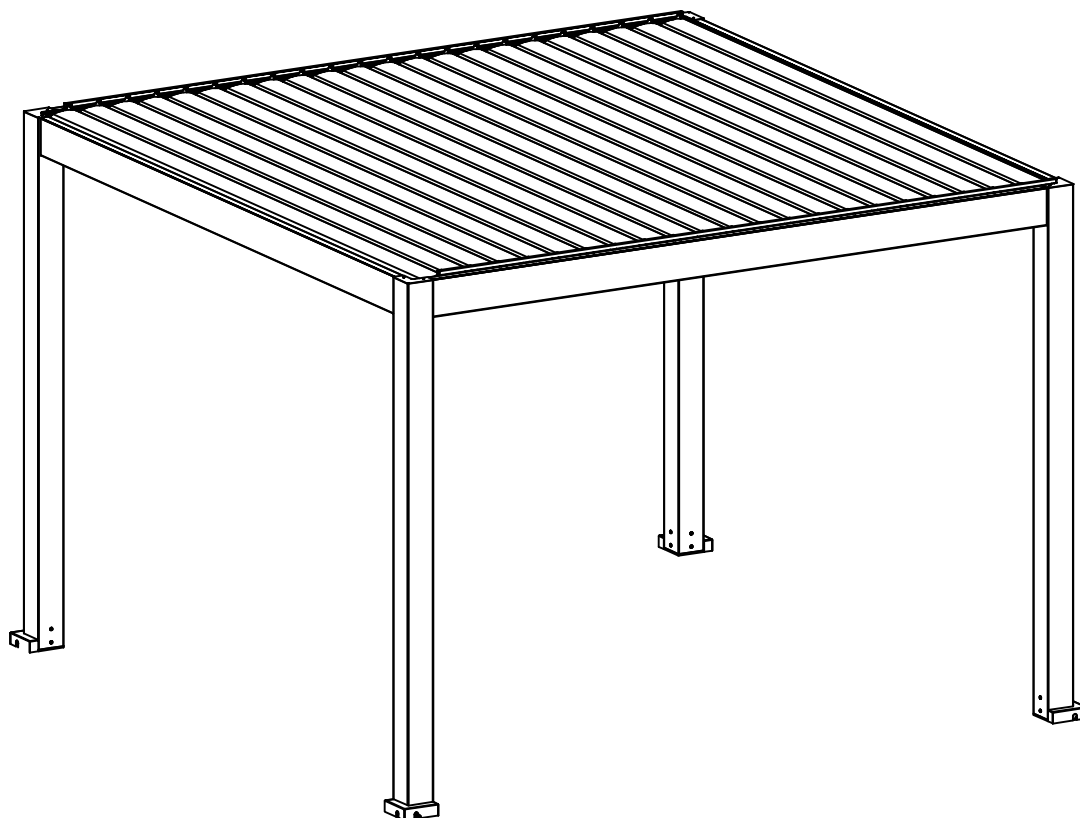


LIVING CULTURE

TASMAN & NORFOLK ALUMI NUM PERGOLA

MANUAL

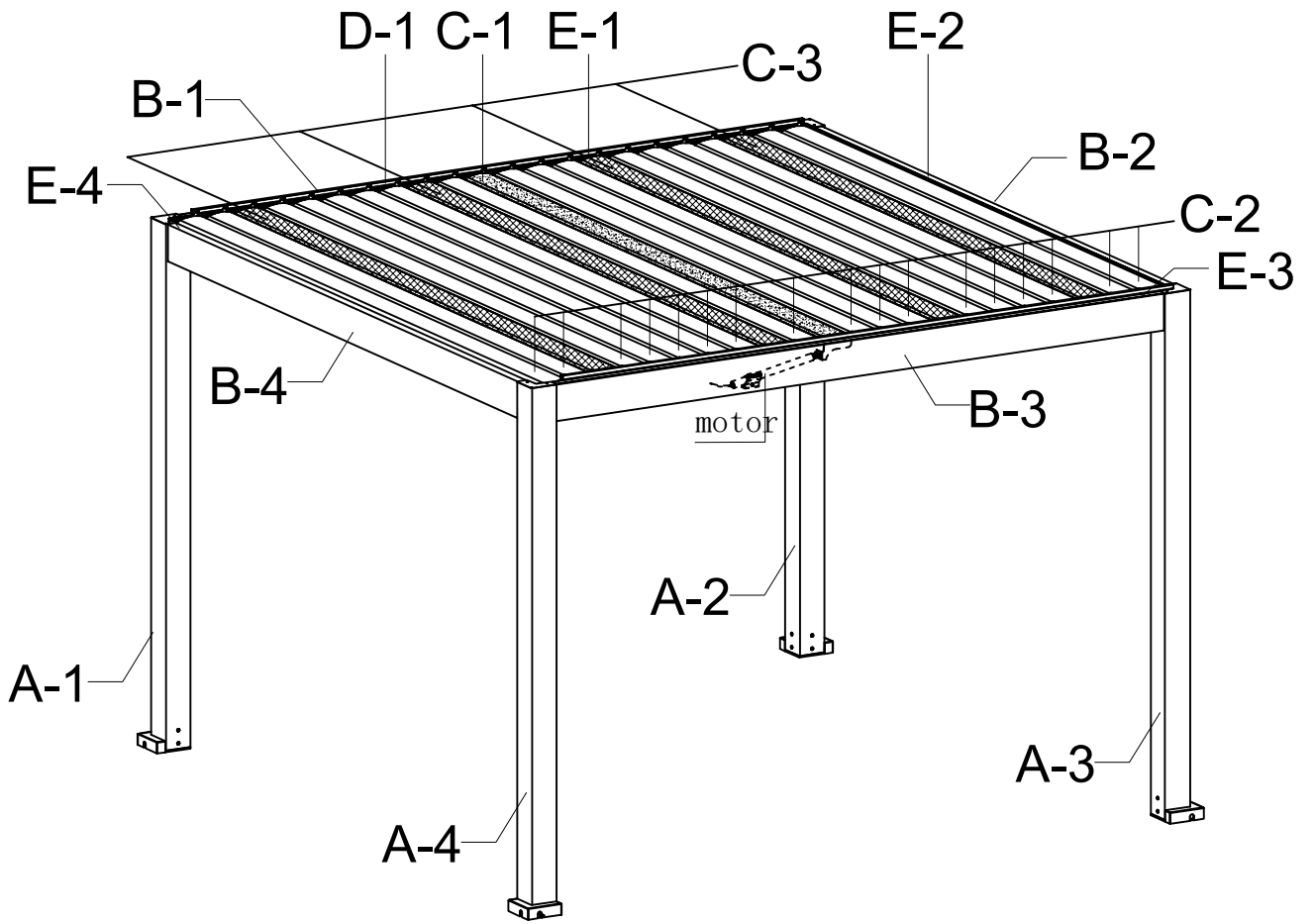
5X3 5X4 6X3 6X4



INSTALLATION NOTES

Before you start to install product ,please read below notes:


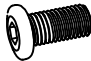


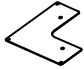


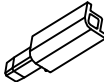
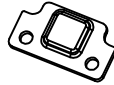






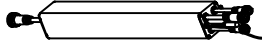



- 1.This is a general version manual .Please make sure that you review original design when place an order and read this manual several times before start to assemble the pergola .These installation steps can be referred to in this manual ,However ,other specific details such as motor position ,drainage direction ect. should be accord to the drawing of the order placed
- 2.Please check the package list and confirm all items on the list ! Do not throw away any package until the pergola is installed successfully
- 3.Minimum 3 people are required during the installation
- 4.It needs 2 people to lift the product parts from the package ,please put the product very gentle ,it is better to cover a carpet or hard paper box on the floor to protect it from scratching
- 5.You may screw the pergola on a flat concrete floor or do pre-embedded into the floor when its height up to 2800mm.
- 6.You should remove the film coated on the aluminum profiles entirely during the installation because it is difficult to remove them after explosion under hot temperature.
- 7.Please do not DIY our product and take use of the other alternative accessories when you change the original design ,that will void your warranty
- 8.We hold no responsibility for any damage caused due to human factor ,especially incorrect assembly
- 9.During the installation process, if you encounter any uncertainties, please refer to the installation instructions on the product page of the website.



code	name	section	photo
A-1	post		
A-2	post		
A-3	post		
A-4	post		
B-1	beam & gutter		
B-2	beam & gutter		
B-3	beam & gutter		
B-4	beam & gutter		

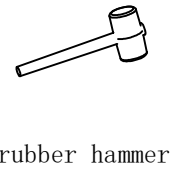
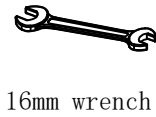
code	name	section	photo
C-1	motor connecting louvre		
C-2	louvre		
C-3	led light louvre		
D-1	control rod		
E-1	gutter cover		
E-2	gutter cover		
E-3	gutter cover		
E-4	gutter cover		

HARDWARE

code	name	photo
①	base plate	
②	SUS hex screw (M8*16)	
③	M8 washer	
④	SUS hex expansion bolt (M10*100)	
⑤	L post end cover	
⑥	cross tapping screw (4.2*16)	
⑦	cross drilling screw 4.2*19)	
⑧	post corner extension piece	
⑨	louvre pivot cover	
⑩	4*14 cross drilling screw	
⑪	φ8*M6*5 hex thumb screw	
⑫	motor connecting louvre cover (R)	
⑬	cross drilling screw(4*20)	
⑭	wrench (5mm)	
⑮	remote	
⑯	control system (single motor and led light)	
⑰	M5 hex bolt nut	
⑱	M5*16 cross hex screw	
⑲	decoration cover	

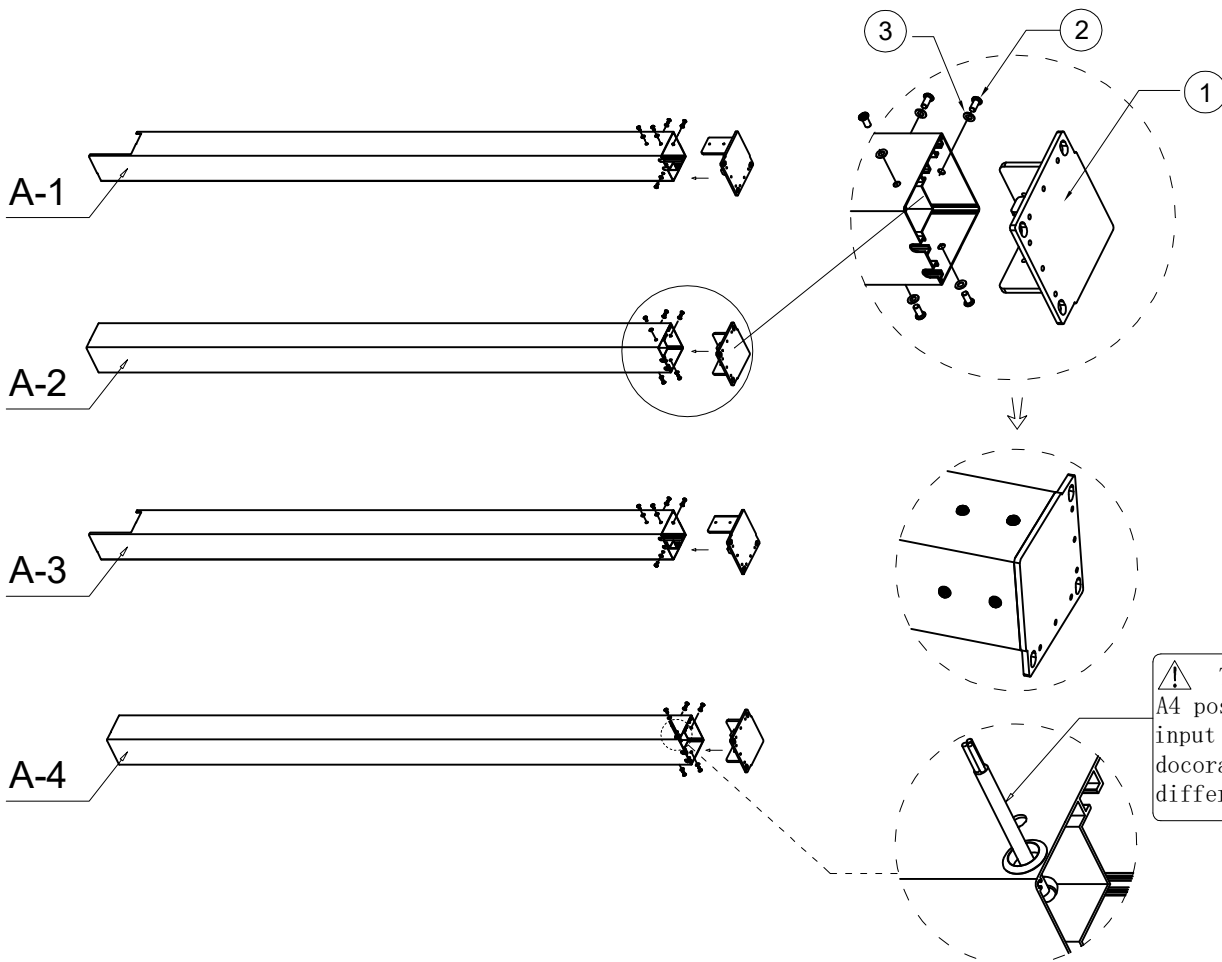
Note:The silicone sealant is not offered, please purchase it in local

TOOLS



INSTALLATION

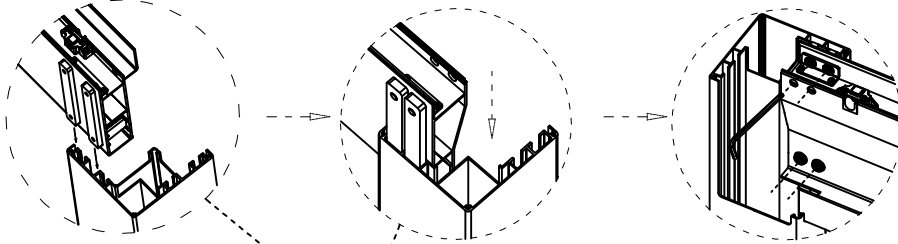
STEP 1: Assemble the posts with base plates



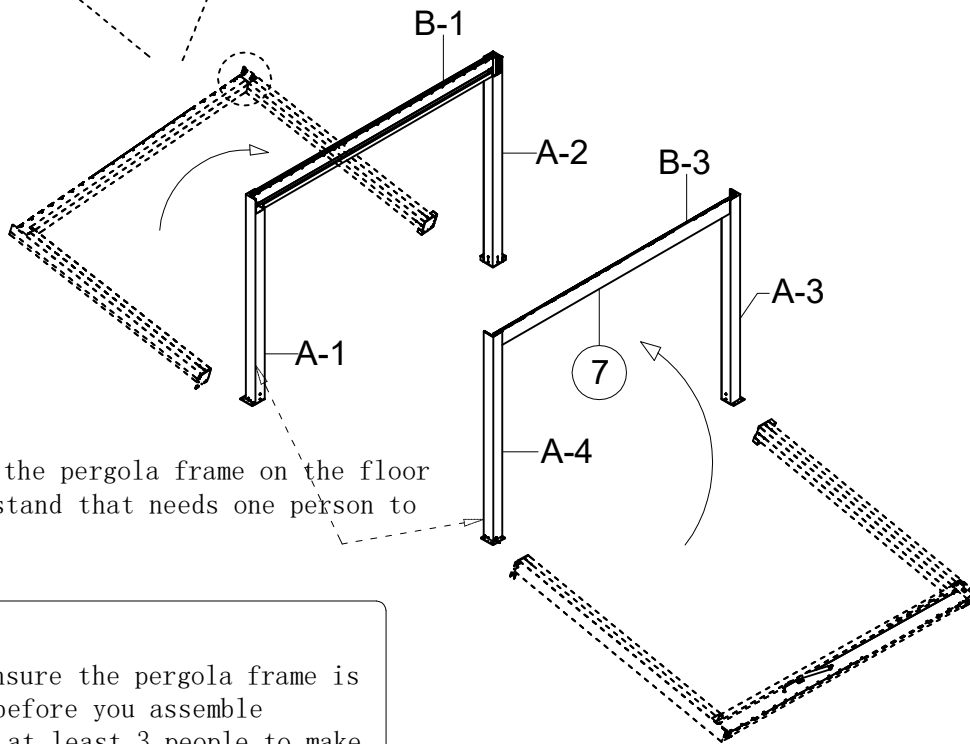
STEP 2: Assemble the beam & gutter (with pivot holder)with post

2.1 Insert the two gutter beams into the post grooves and screw it

⚠ Tip:
use soft sponge to clean the surface treatment



2.2 Fasten the screw from inside at the connection

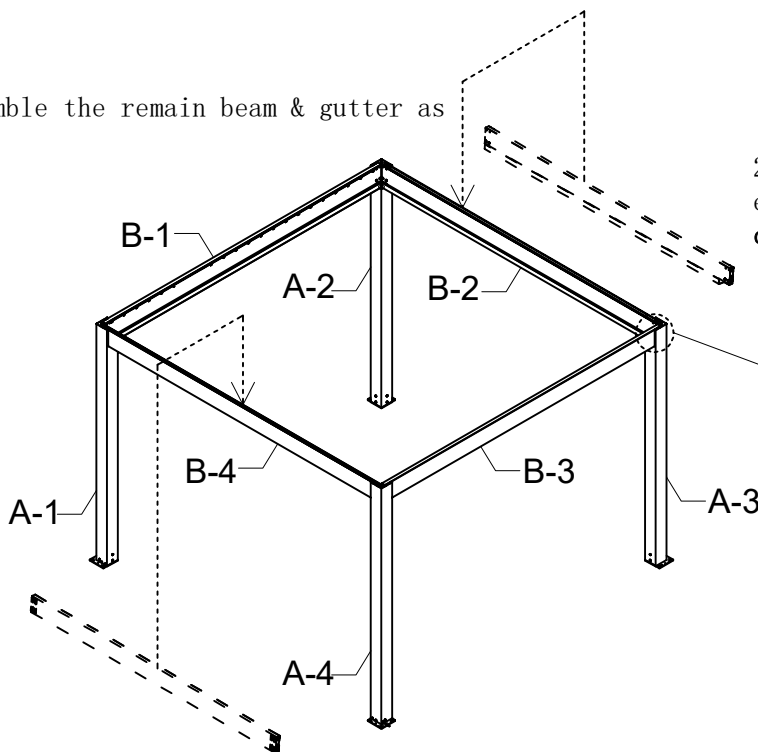


2.3 Assemble the pergola frame on the floor and make it stand that needs one person to hold it

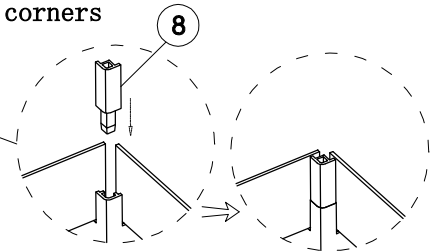
⚠ Tips:

1. Please ensure the pergola frame is correct before you assemble
2. It needs at least 3 people to make the post stand

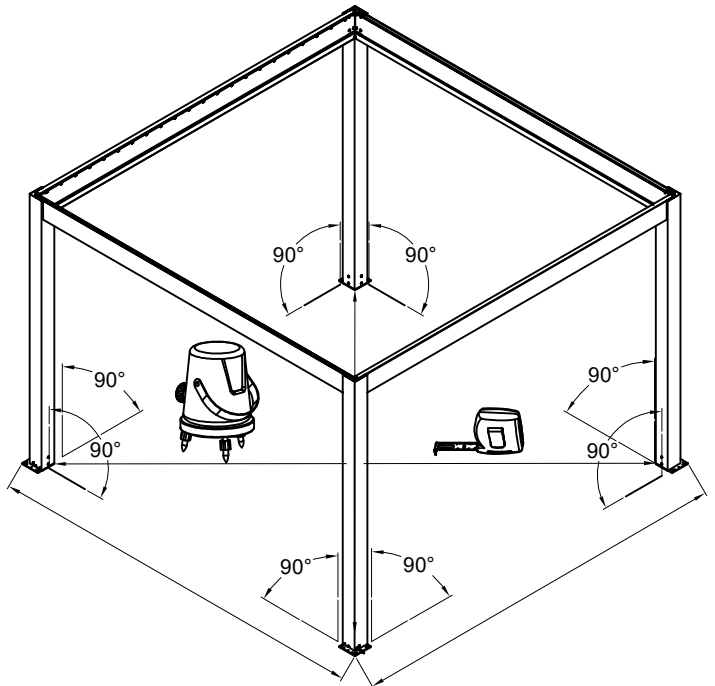
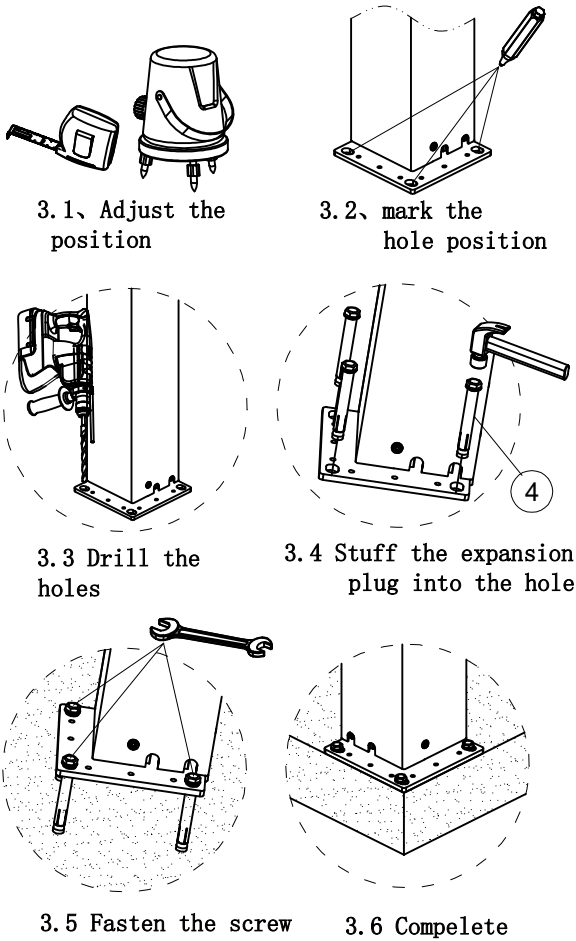
2.4 Assemble the remain beam & gutter as same



2.5 Put the post corner extension piece at gutter four corners



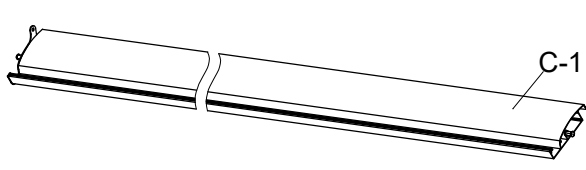
STEP 3 :Adjust the pergola position and fix the posts on the floor



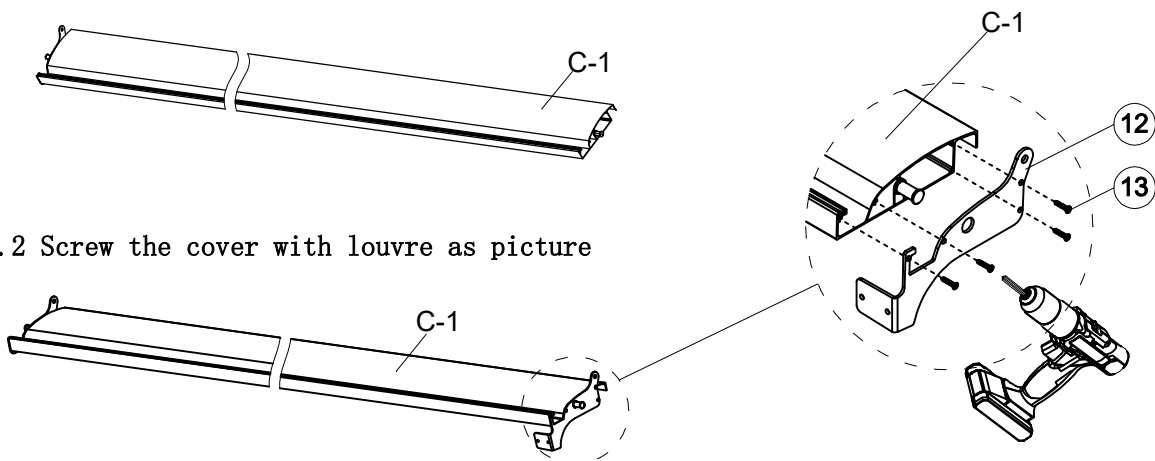
⚠ Tip:
1. Ensure the post in correct position , and stand 90 degree with floor.
2. Before you fasten the screws ,you should double check the pergola position .

STEP 4: Settle the louvres

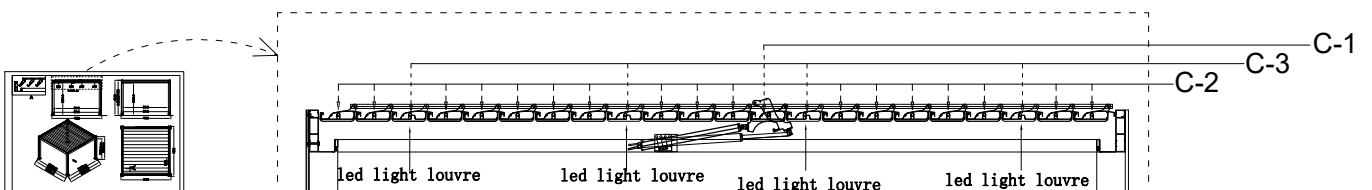
4.1 Take out the motor connecting louvre C-1 without cover from the package



4.2 Screw the cover with louvre as picture

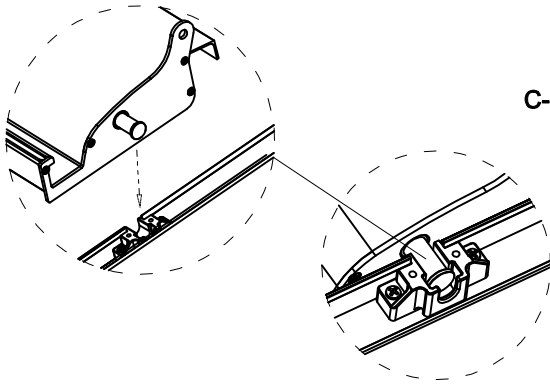


4.3 Check the drawing and mark the position of led light louvre and motor connecting louvre



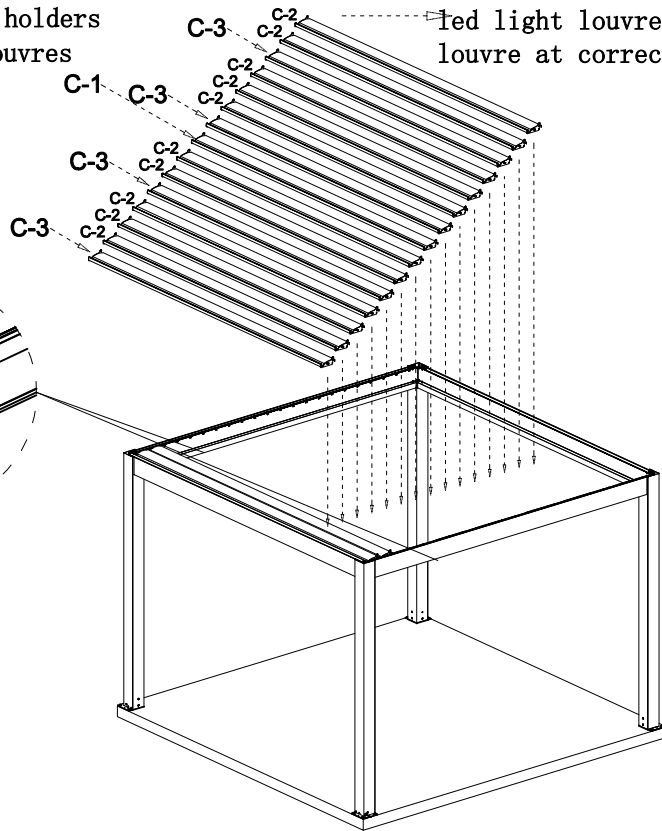
4.4 Confirm each louvre position , then start to settle louvres as design A version showed

4.4-1 Settle the louvres in the pivot holders at both sides (fasten them when all louvres settled with no fault)

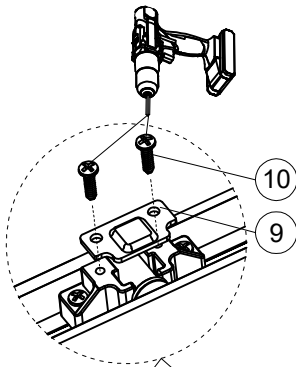


Tip:
Settle the louvres at correct position

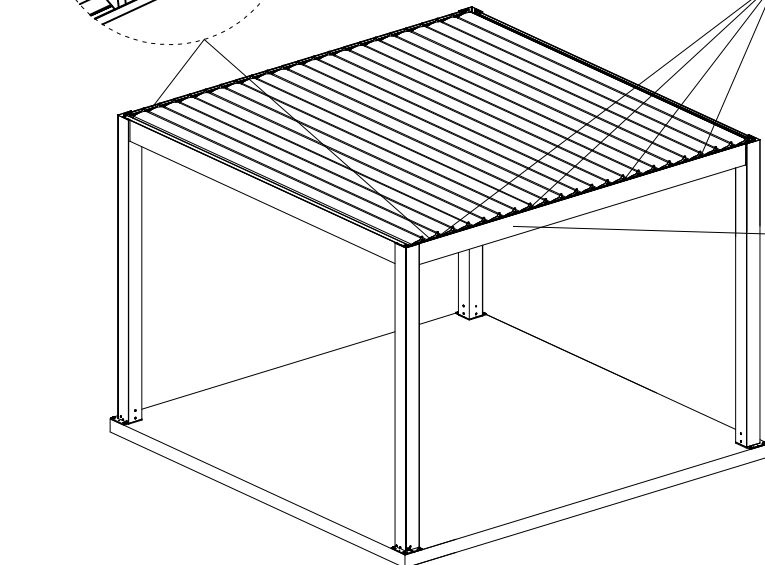
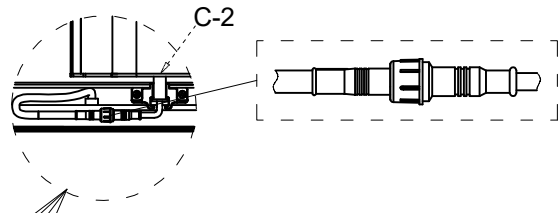
4.4-2 Settle the louvres ,keep the led light louvre and motor connecting louvre at correct position



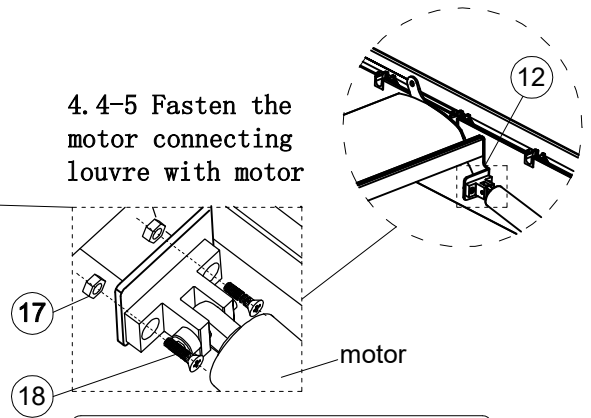
4.4-3 When all louvres settled , then fasten the pivot covers



4.4-4 Connect the LED light louvre cable to electric cable in beam & gutter



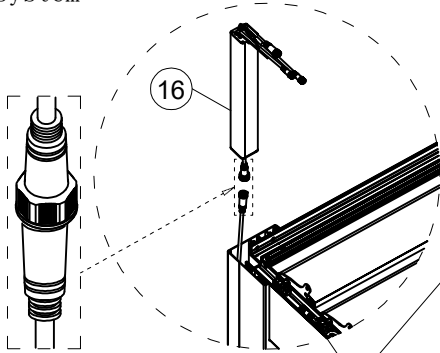
4.4-5 Fasten the motor connecting louvre with motor



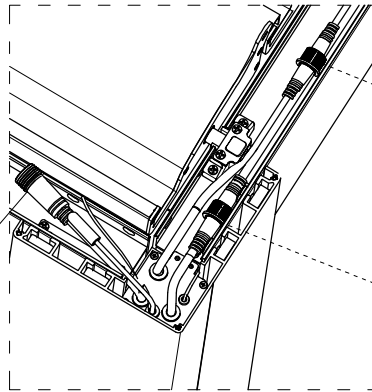
Tip:
screw the motor with motor connecting louvre is essential part

STEP 5: Connect to the power

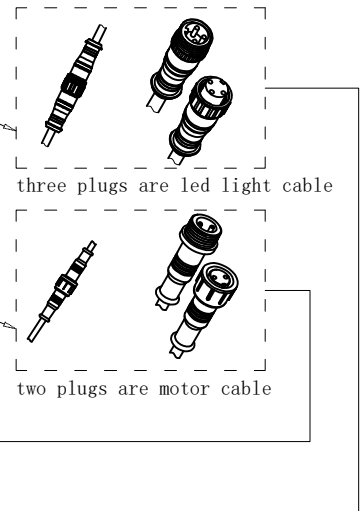
5.1 You should connect the voltage cable before insert the control system



5.2 Insert the control system into the post A1 please

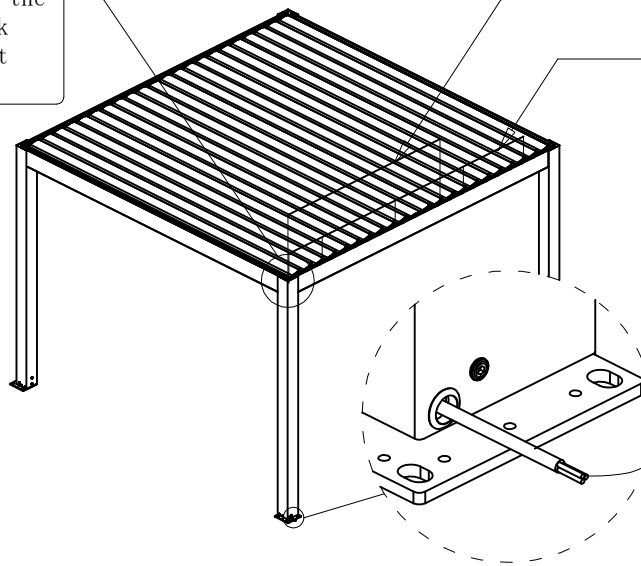


5.3 Connect the cables



⚠ Tips:
there are remain plugs at the control system ,please ask electric worker to seal it professional

5.4 Connect the cable to local voltage cable, you should purchase a local plug in advance

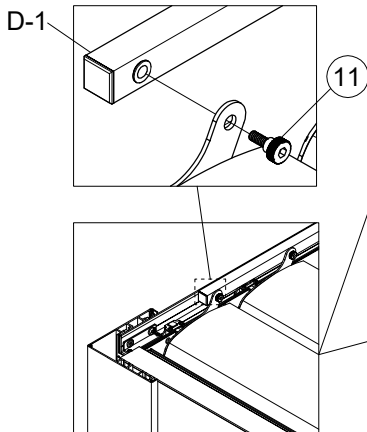


- brown: live wire (L)
- blue: neutral wire (N)
- yellow: earth wire (E)

⚠ Tips:
1、 connect the cable as design
2、 earth wire is essential
3、 RCCB is essential when you install this product

STEP 6: Install the control rods and check the electric cables

6.1 Install the control rod: Fasten the control rod with louvres from inside to screw

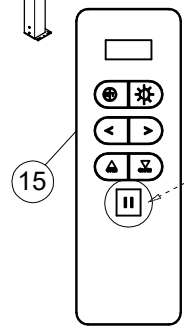


6.2、 learn to remote control system



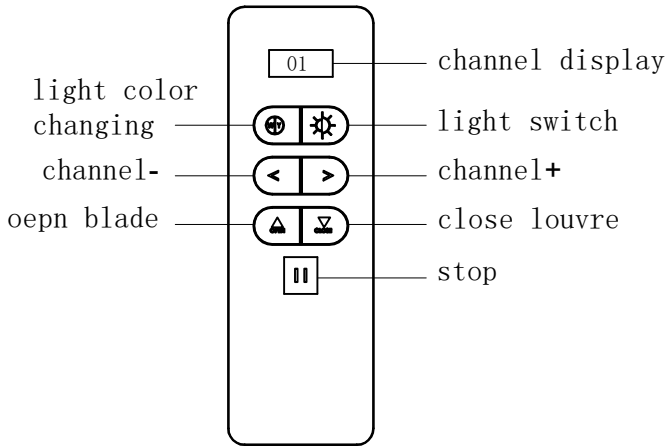
6.2-1 Press and hold this button until the light starts to flash

⚠ Tips:
1、 Install the control rod at outward side or the louvre can not be opened fully
2、 fasten the hex thumb screw by electric drill , in case it is loosen during using



6.2-2 Press and hold the stop button on remote until led light stop flashing

6.2-3 Check the remote function



There are two procedures of remote , one is simple procedure without any zip screen , the other is procedure 2 , you can remote the pergola and zip screen at one remote .The remote was pre-setted procedure 1 . and press channel to exchange to procedure 2 by yourself

procedure 1

channel 01: motor
the channel display show "01"

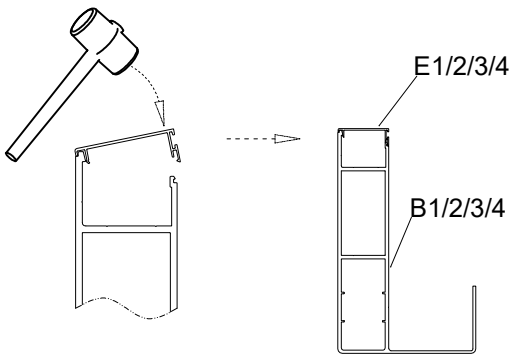
procedure 2

channel 01: louvre switch
channel 02: the first zip screen
channel 03: the second zip screen
channel 04: the third zip screen
channel 05: the fourth zip screen
channel C1: louvre switch
channel C2: all zip screen controlled together
channel C3: all devices controlled together

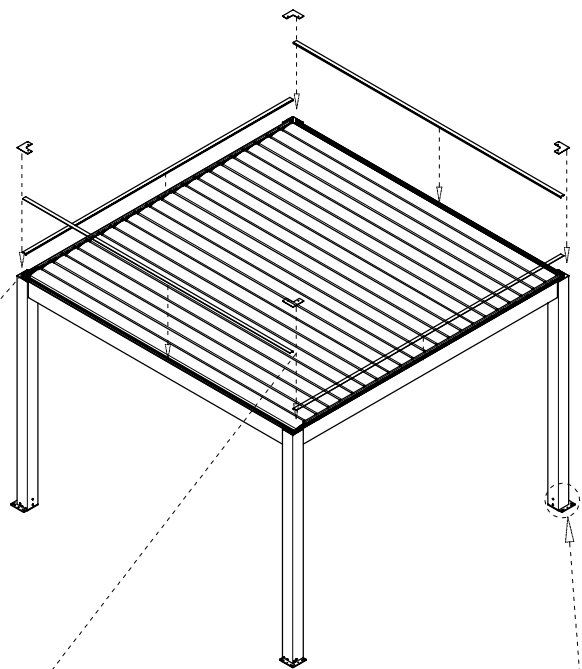
STEP 7: If there is a zip screen device on the pergola you should install it as its manual , then go ahead STEP 8 when all cables connected

STEP 8: Install the gutter cover and L post end cover

(Tip: It is easy to knock the cover when the louvers are opened)

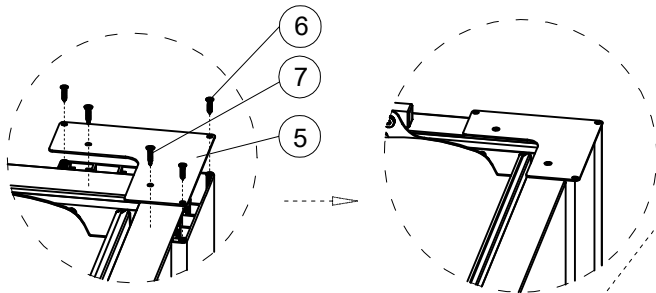


7.1 Use rubber hammer to knock the gutter cover into groove, note wide hook is inner side

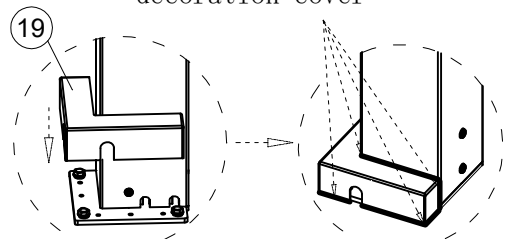


spread silicone sealant on the decoration cover

Tips:
1. Ensure the pergola function is well before you install the cover
2. Settle all cable in the gutter groove and knock the cover gently or broken the cables to cause electric leakage issue



7.2 Install L post end cover



7.3. Install the decoration cover (if there is no this part please skip this step)

note:
Silicone is not offered , you should purchase in local

STEP 9 : Check the pergola function

9.1、 the PCCB is essential during installation

9.2、 check the motor function

9.3、 check the remote function

9.3、 check the louver movement and noise

9.4、 check the led light function

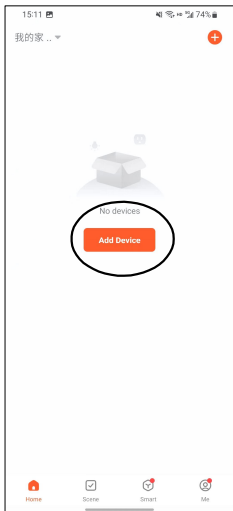
9.5、 check the other device function

HOW TO USE TUYA APP

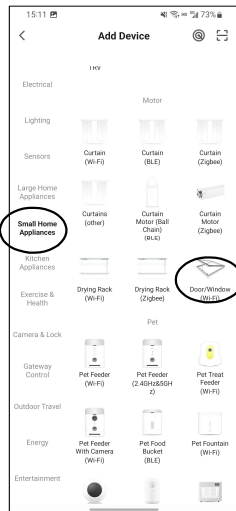
STEP1 :Open TUYA app

1. Prepare a common wifi for the pergola
2. Open the phone bluetooth and TUYA app

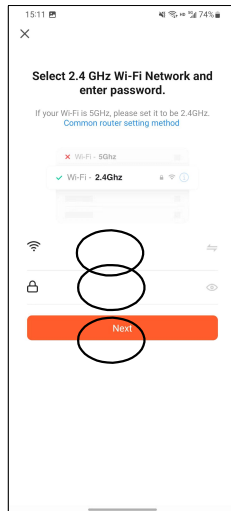
⚠ Tip:
it needs 2.4GHz wifi



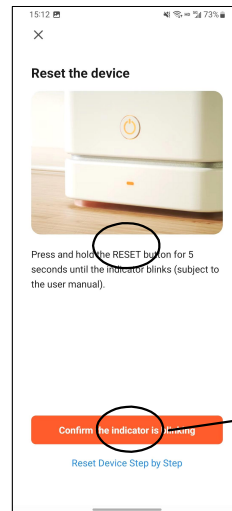
1. Open tuya app and click add device



2. Search door window (WIFI) in the category



3. Input the wifi password



4. Start to link

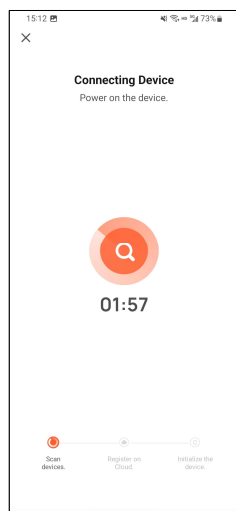


5. Press and hold the button until the blue indicate light is blinking

6. Click confirm



7. Select quick blinking



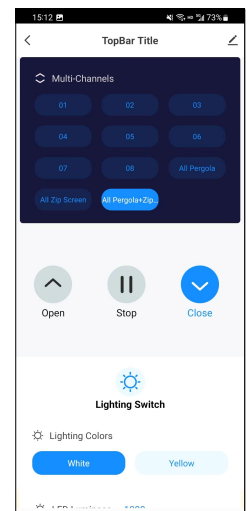
8 Wait for link



9. Success



10. Select pergola to control it

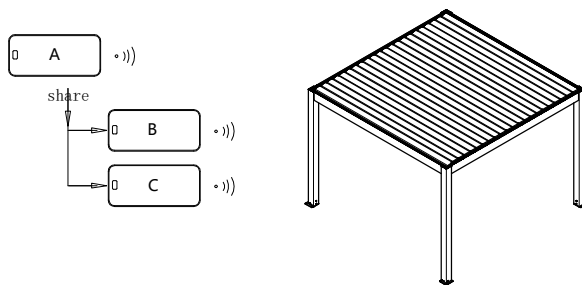


11. Operation panel

How to authorize account to family members

一、 TUYA APP

When you connect to tuya app successfully ,you can share the account to your family members



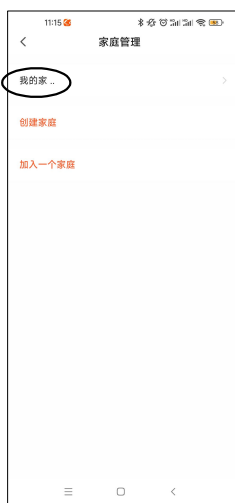
Tips:

- 1.the owner's phone (A) connect to pergola , he can operate the pergola by his phone A,
- 2.the family members also download TUYA app and sign in

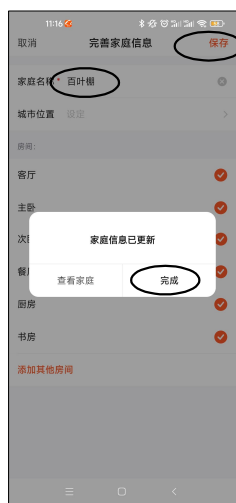
1. Create a family group in the phone A



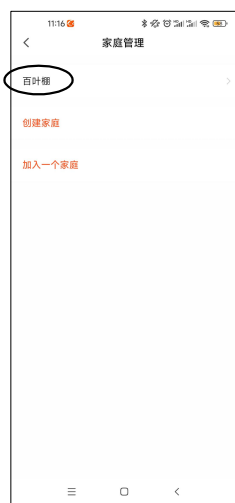
1 Creat a family group



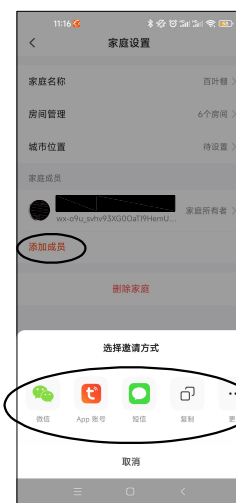
2 Click my family



3 Name the faily group



4 Click into the goup and link to pergola as before



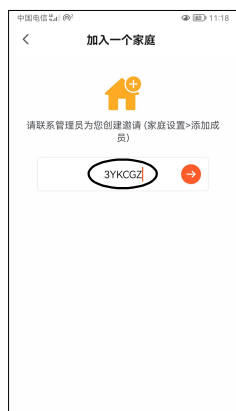
5 Share to the other family members



6 Click into family group



7. Join this family group



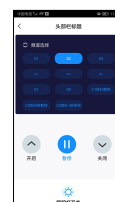
8. Input the invite code



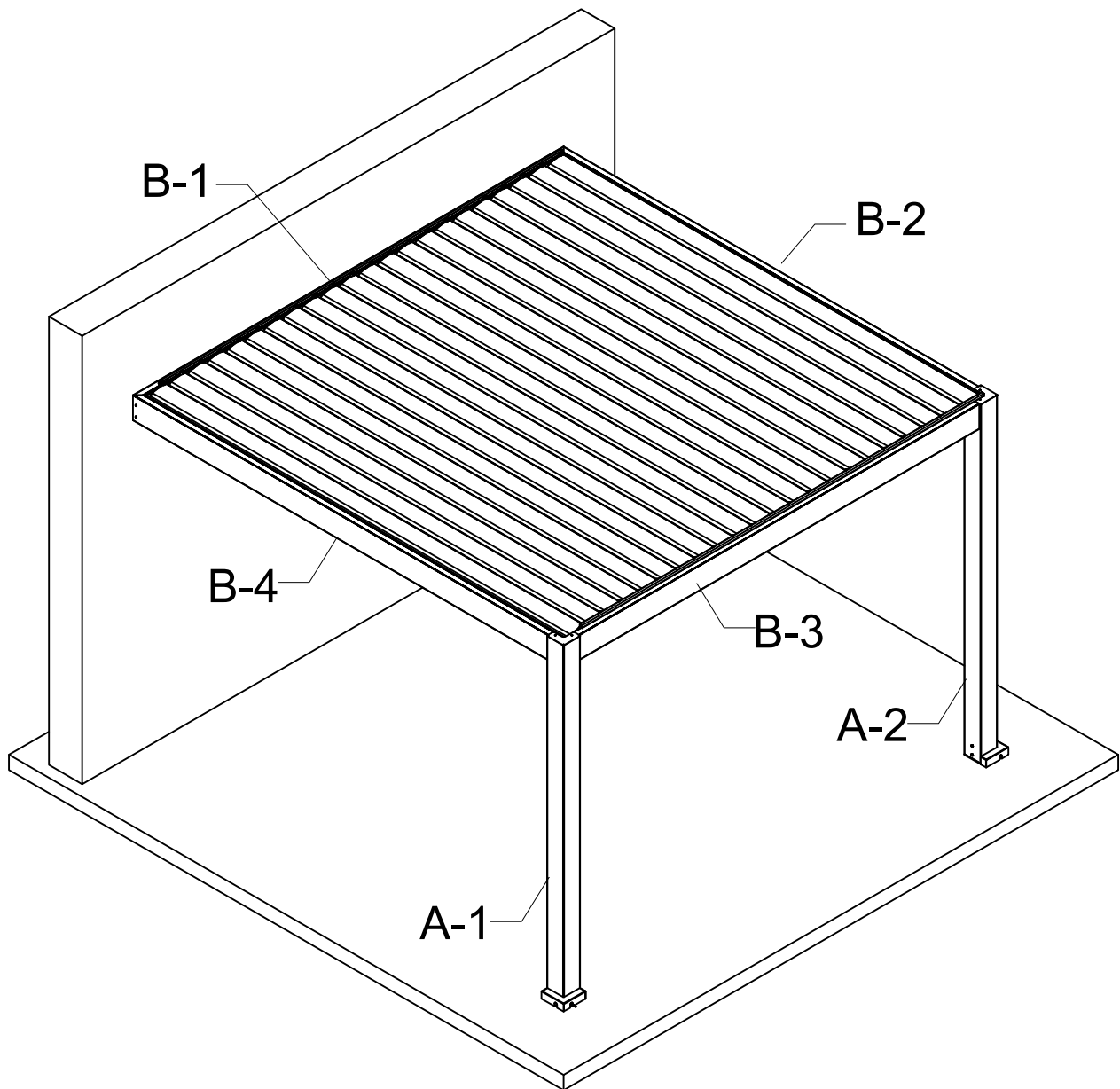
9. Confirm and successfully join







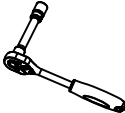
10. You can try to operate the pergola on the phone



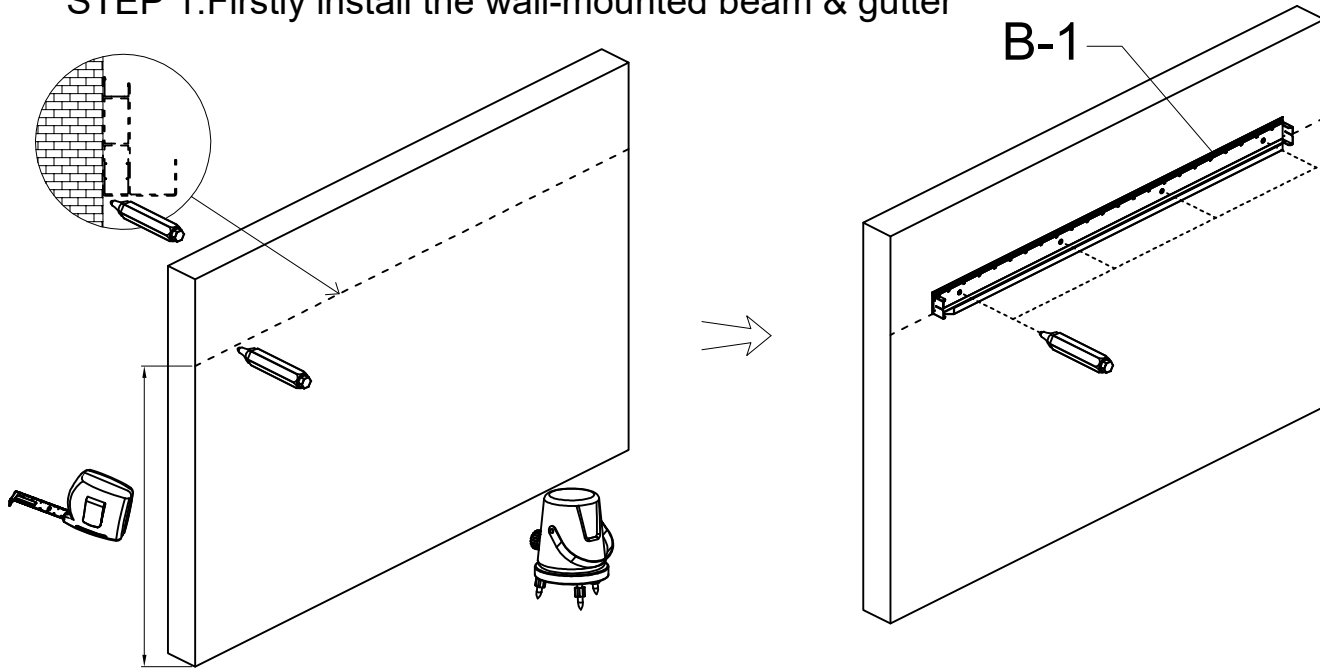
WALL-MOUNTED INSTALLATION INSTRUCTION



Hardware list

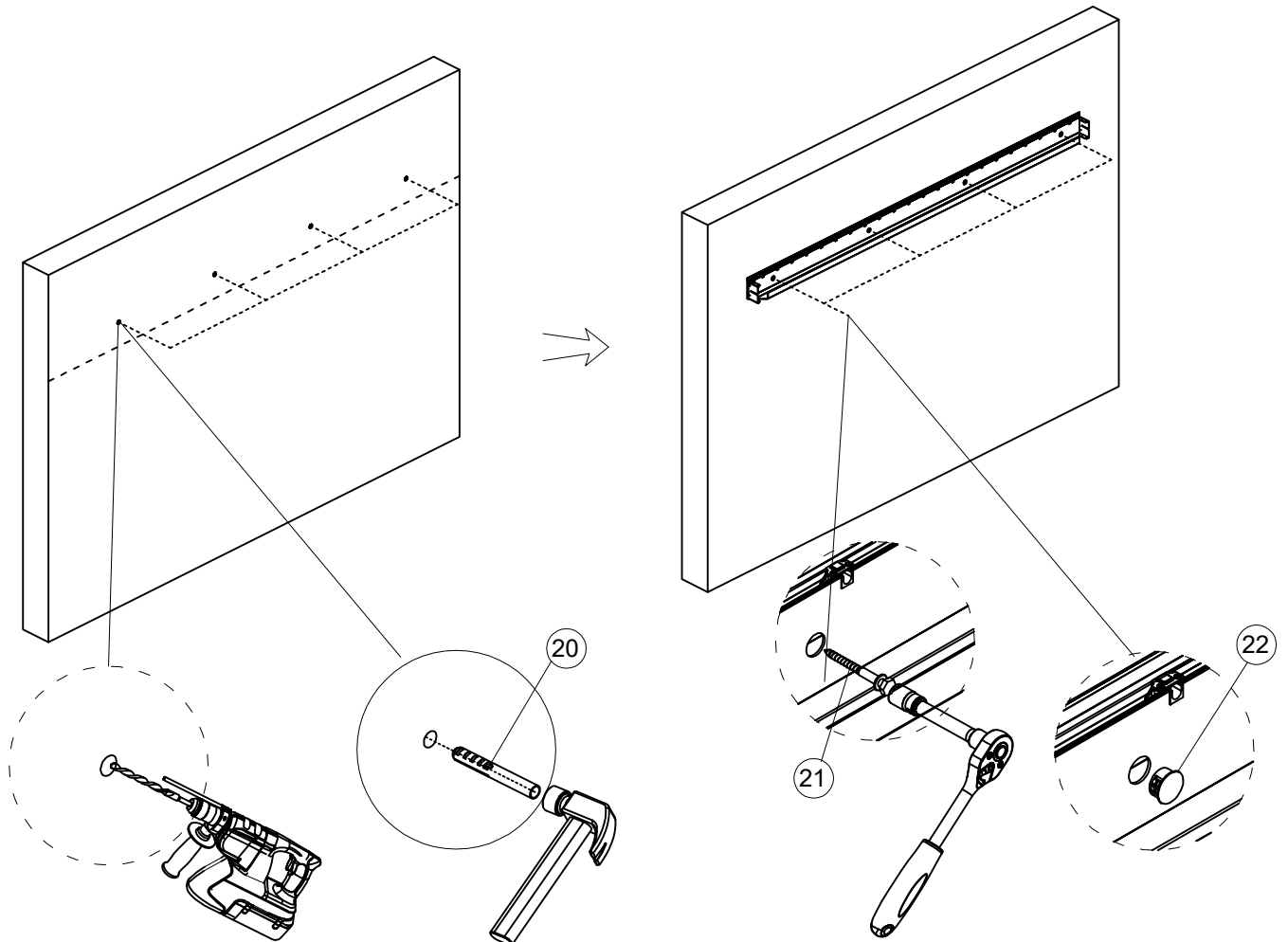
②0	expansion plug (M14*75)	
②1	wood screw (M10*100)	
②2	30 mm cap	
②3	SUS hex screw (M8*12)	
	17mm wrench	

STEP 1: Firstly install the wall-mounted beam & gutter



2.1 Take use of electric spirit level to mark the beam & gutter position

2.2 Mark the holes position through the pre-drill holes on the gutter



2.3 Drill $\varnothing 14$ mm holes on the wall

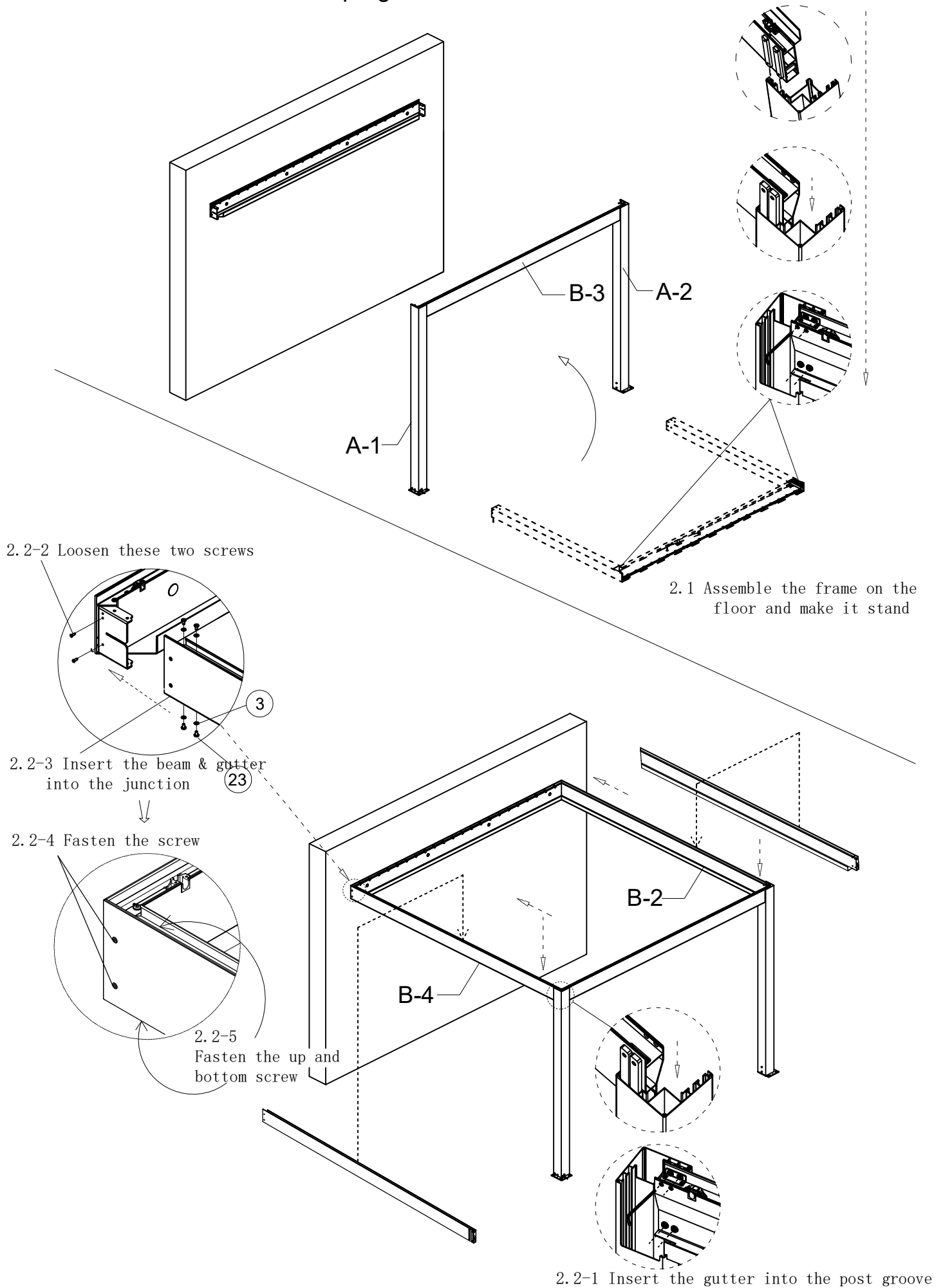
2.4 Stuff the expansion plug into the holes

2.5 Use wrench to screw the beam & gutter on the wall

2.6 Stuff the cap

⚠ Tip:
check the gutter position
before you fasten the screw

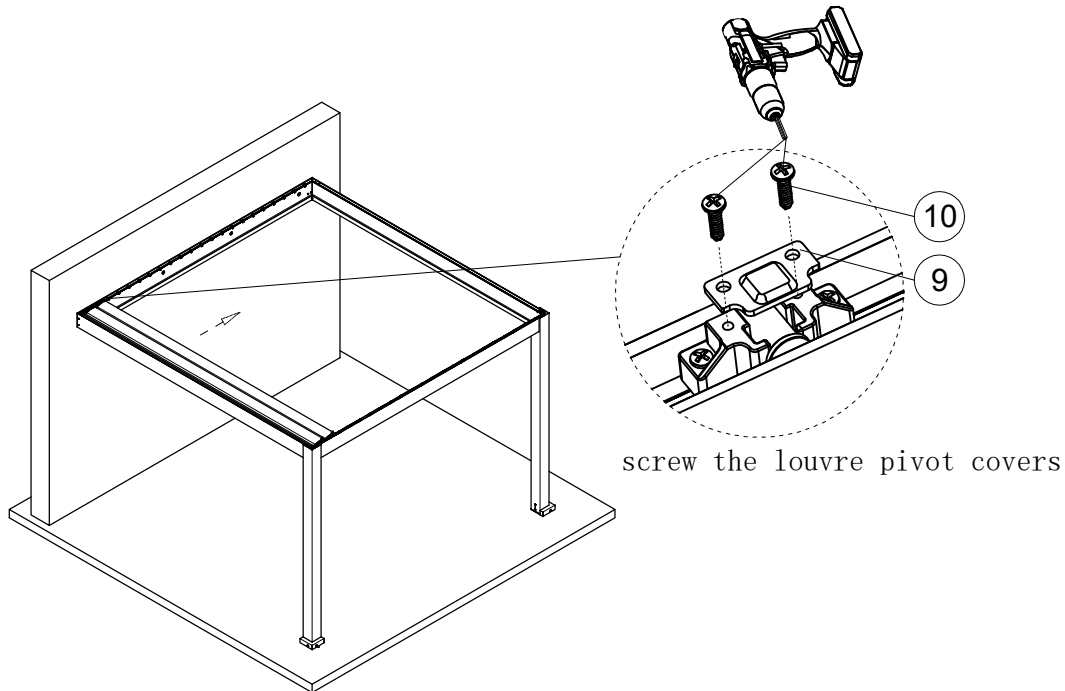
STEP 2 : Assemble the pergola frame



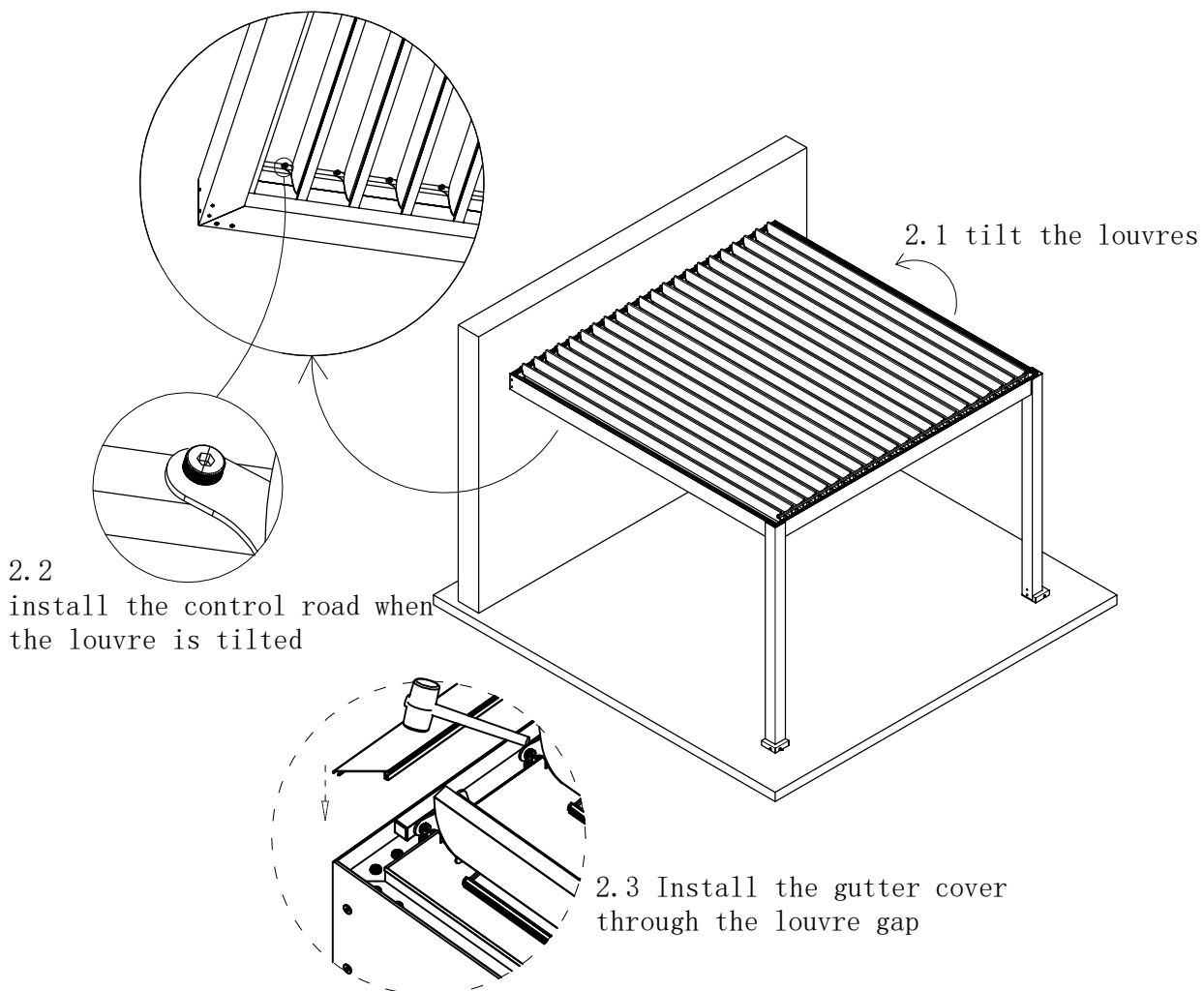
The remain installation are as same as the previous steps

Tips:

1. When you settle the louvres ,you should fasten the louvre pivot covers by each 3 pcs of louvres settled


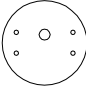
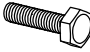




2. When the louvre vertical to wall ,you should install the again wall side control rod first. and input power to open the louvres to fix the wall-mounted side control rod
Attention :power must be cut down suring installation



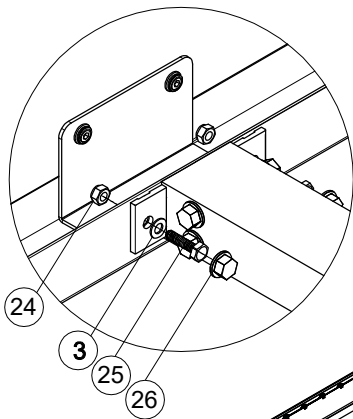
Ceiling Fan beam manual

Hardware

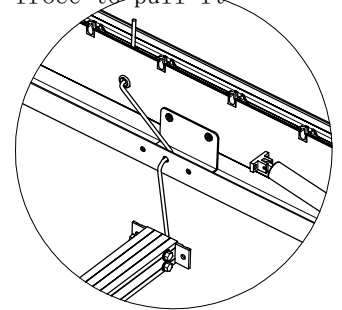
24	M8 screw nut		27	fan beam plate	
25	M8X30 hex screw		28	M6x70 hex screw (2washers 2 +gasket+1 nut)	
26	M8 hex cap				
29	fan beam				

Installation

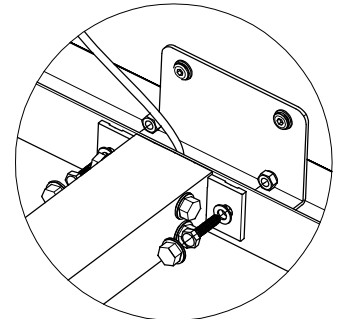
1.3 Fix one side as picture



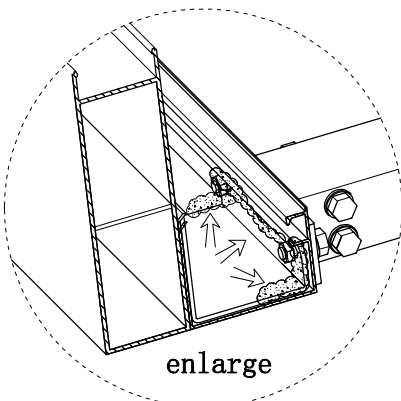
1.1 Pull the ceiling fan beam cable into the beam & gutter groove, don't force to pull it



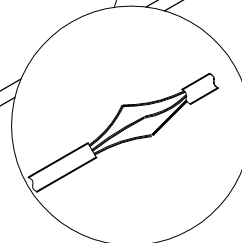
1.2 Fasten the screw




1.4 Spread silicone sealant on any gap



1.5 Connect the ceiling fan beam cable with your local voltage power input



 Tip:
do silicone work at any connection gap

Trouble shooting

malfunction	solutions
motor and led lights don't work	<ol style="list-style-type: none">1. check the cables connect if correct2. check if there is an available voltage for pergola : 110V or 220V3. check the remote if learn to match the control system4. check the remote battery is work or not5. check the control system has power output or not
can not open the blades	<ol style="list-style-type: none">1. check the motor is working or not2. check the control rod if installed successfully3. check the motor connecting blade connected the motor or not
water leak at fan beam position	<ol style="list-style-type: none">1. check the connection if do silicone sealant dealing
remote doesn't work	<ol style="list-style-type: none">1. press the learn button within 5 seconds when the motor input power2. check the remote battery is available
can not link to APP	<ol style="list-style-type: none">1. ensure you read the manual of tuya app link2. you should remove the previous phone record then you can connect again

Care and Maintenance

CARING FOR YOUR PERGOLA

Structure surface coated with the thermosetting powder coating must be cleaned once a year to maintain their original appearance

Thermosetting powders are sensitive to :

1. Physical friction ,hard impact ,extrusion ,chemicals including alkaline solvent and acidic solvent.
2. Natural elements such wind,rain ,snow ,and prolonged sunlight .The exterior of the pergola may deteriorate over time and this will not be covered under the warranty.

CLEANING YOUR PERGOLA

1. Do not use a scouring pad ,cream cleaner ,abrasive sponge ,iron wire ball ,or colored cloths.
2. Recommended : soft sponge , soft sand-free cloth ,cotton wool , cotton ,or-non-woven paper (white only)
3. Do not use corrosive products such as acidic or alkaline cleaners , It is recommended to wash with neatral PH detergent water and then wipw it with a cloth to keep it try.
4. When cleaning with high -pressure equipment, the same precautions must be taken when cleaning the car body :distance ,nozzle type ,water temperature ,and pressure should all be considered.

USE REMINDER

After the installation is complete ,check that the screw are tight, Remember to check the screws at least once per year

1. Regularly check the sealing consitions to ensure the seals or other companents don not leak.
2. Regularly cean up debris sich as fallen leaves on the pergola to prevent blockage of the drain.
3. Restrictions on use :Watertigh systes ,although effective ,are not designed to ensure complete water proofing ,Heavy rain and strong winds may damage the pergola ,Any damage incurred will not be covered under the warranty.

Letter of thanks

Dear customer

I would like to take the opportunity to thank you for your patronage and purchasing our products .I assure you have purchased the perfect louvre pergola for you.Our team hopes you love our louvre pergola and share happy time with your family members and friends .

We are a customer-centric company . You are always welcomed to give us feedback ,suggestion and request .Your feedback and comments are very important for us because they help us improve our service.We will be delighted to know what you think about our products. Please feel free to leave reviews on our website or call us directly .

Thanks again and we are pleasure to serve you , if there is anything is not clear to you ,please contact us .

Gratefully

LIVING CULTURE