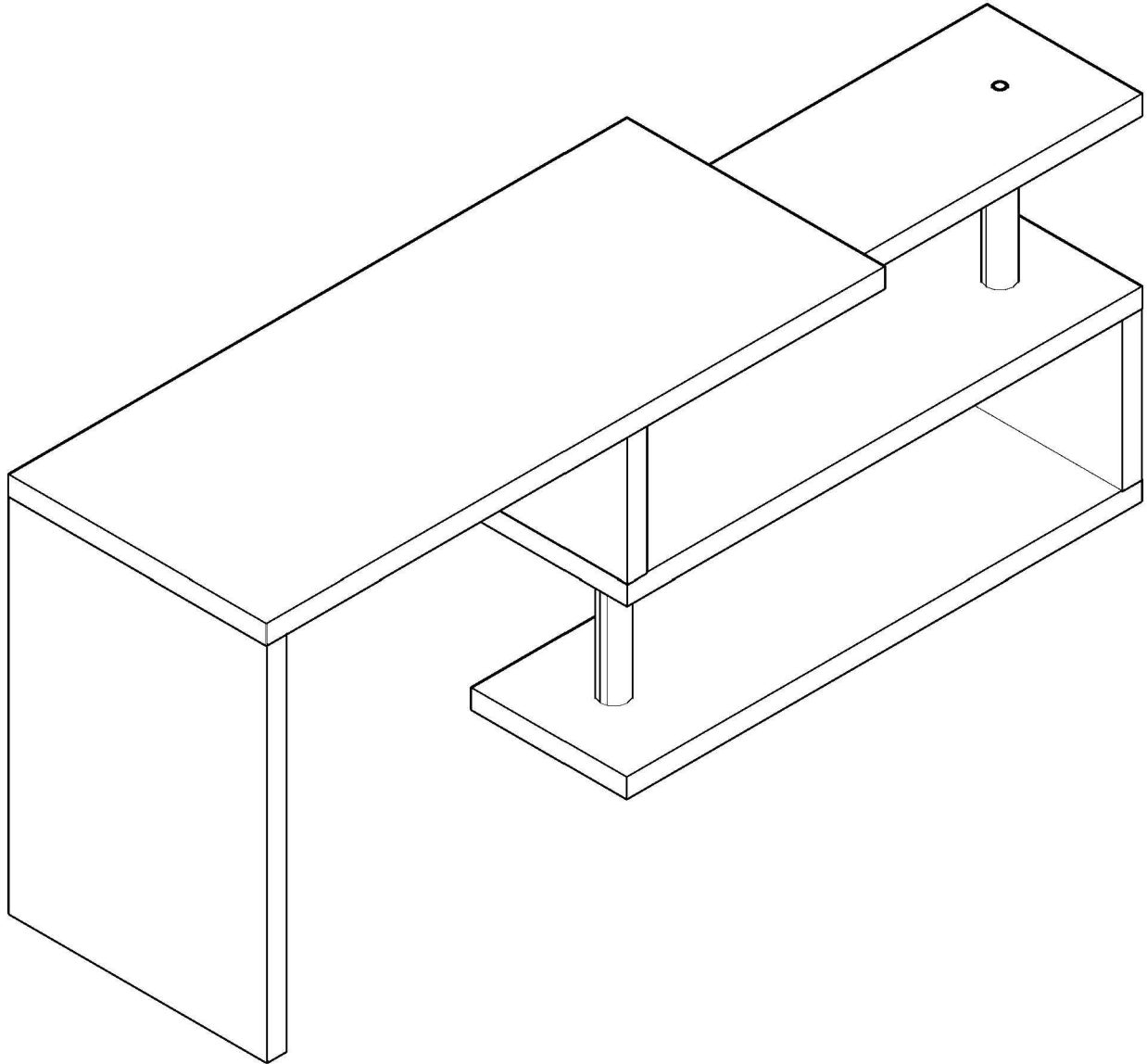
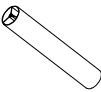
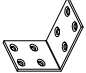










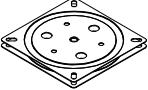


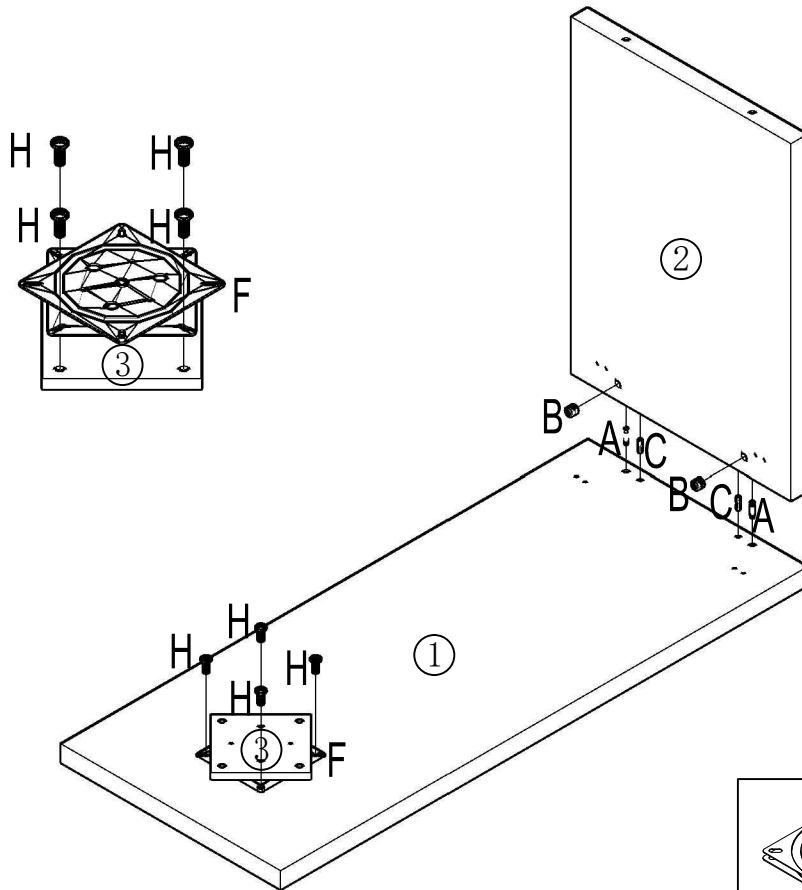
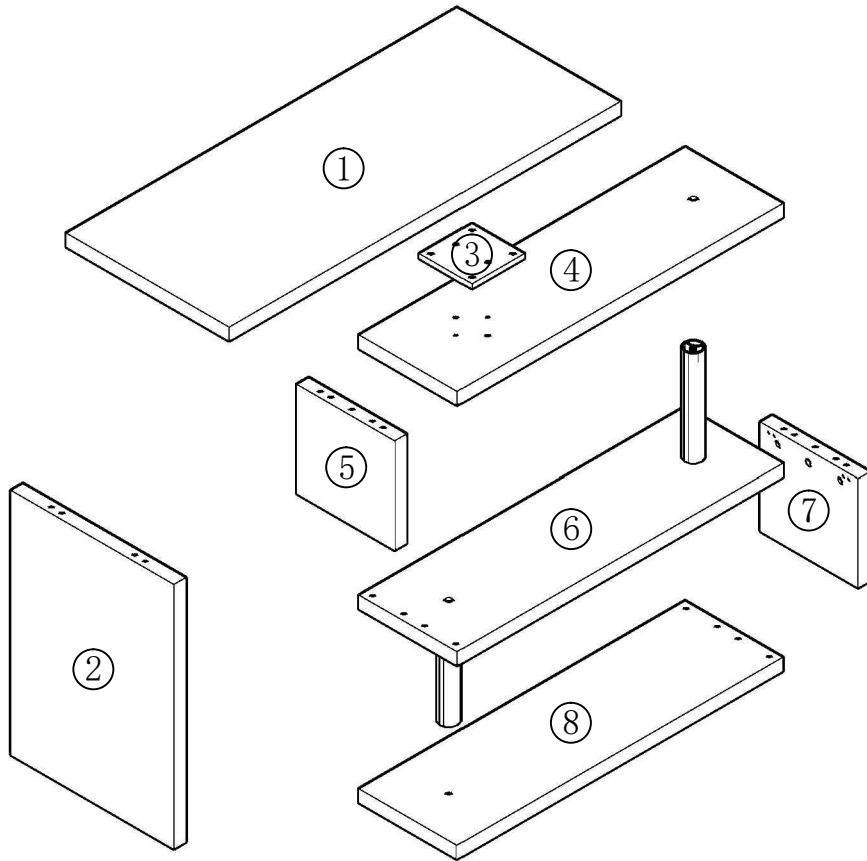


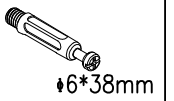
# Assembly Instruction



															
J	2 PCS	K	2 PCS	L	4 PCS	M	2 PCS	N	2 PCS	P	2 PCS	Q	2 PCS		
															
	φ6*38mm		φ15*11mm		φ8*40mm		ST3.5*14mm		M7*70mm						
A	8 PCS	B	8 PCS	C	6 PCS	D	24 PCS	E	8 PCS	F	1 PCS	G	4 PCS	H	8 PCS



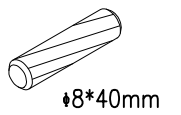
1



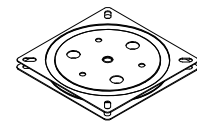
A 2 PCS



B 2 PCS



C 2 PCS

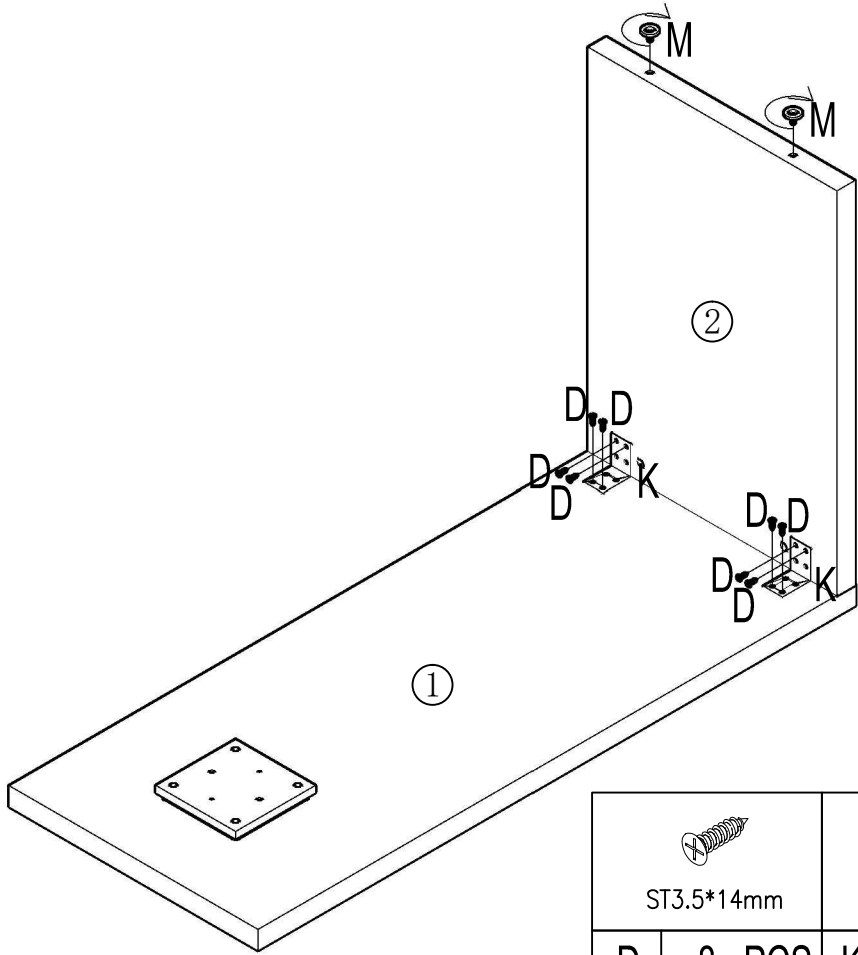



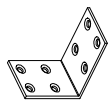
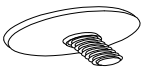
F 1 PCS



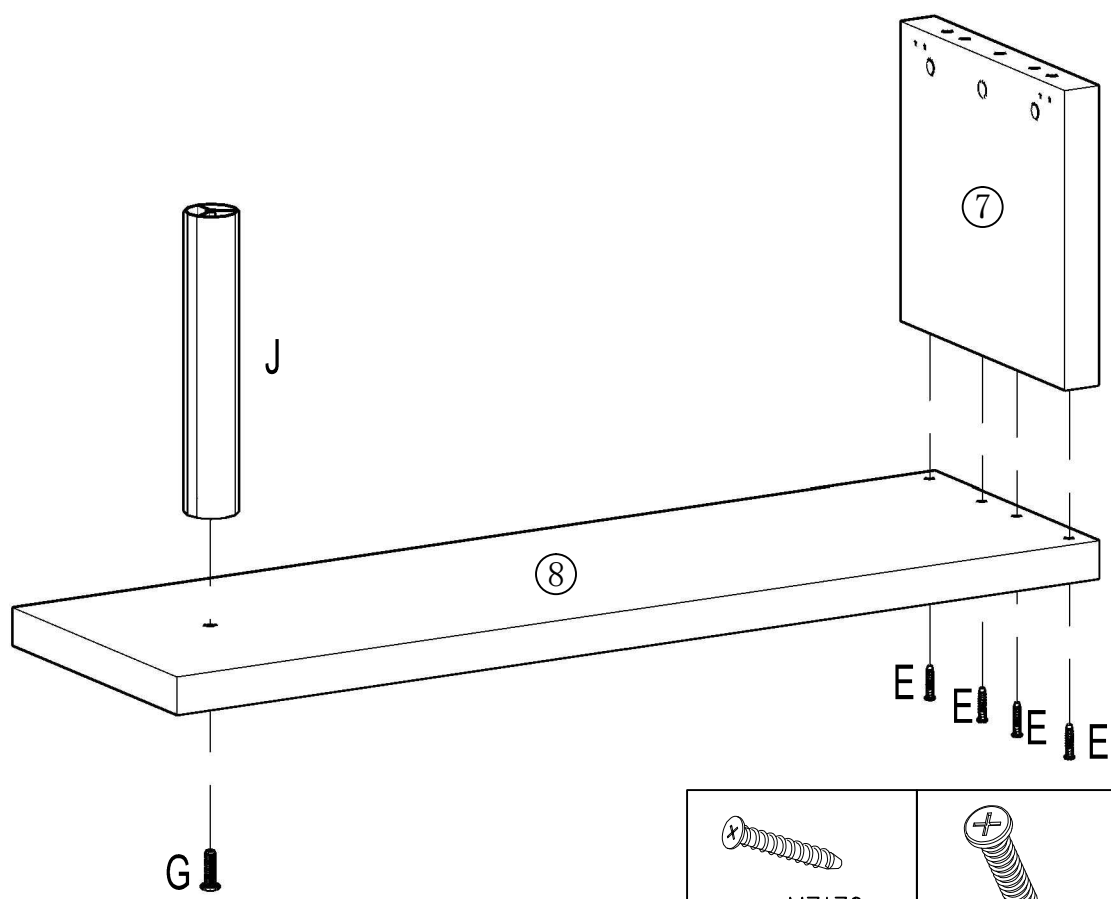
H 8 PCS

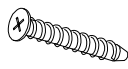

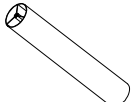
2



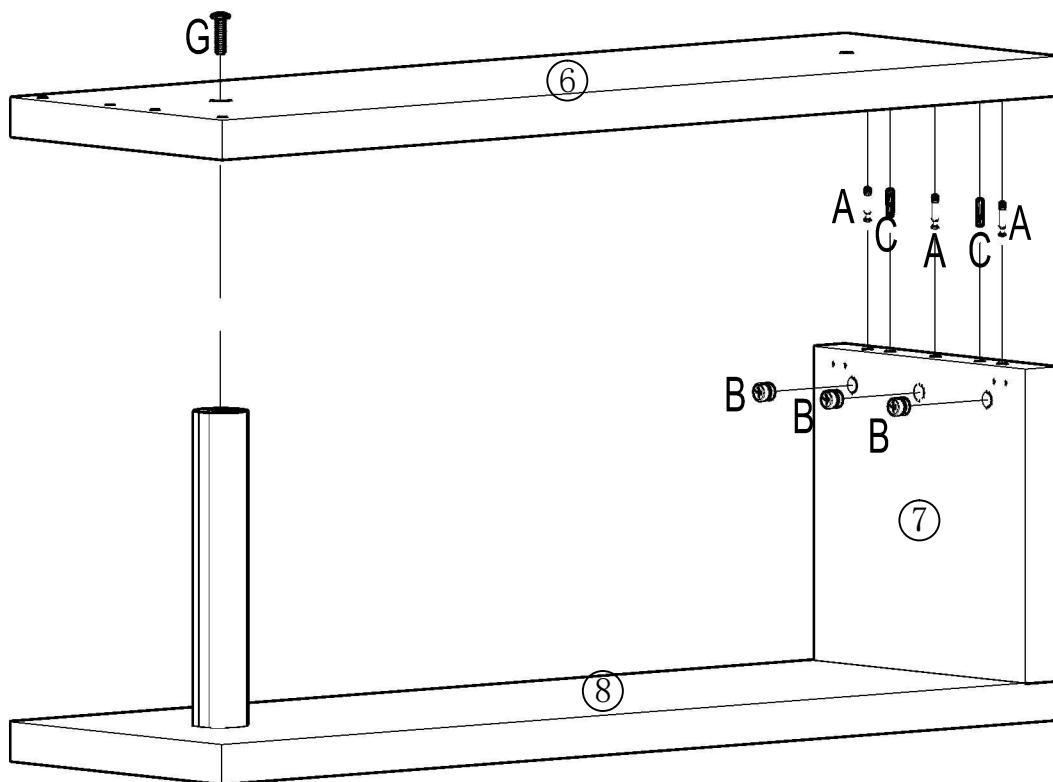
					
ST3.5*14mm					
D	8 PCS	K	2 PCS	M	2 PCS

3



					
M7*70mm	M6*45mm				
E	4 PCS	G	1 PCS	J	1 PCS

4



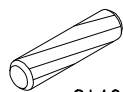
#6\*38mm

A | 3 PCS



#15\*11mm

B | 3 PCS



#8\*40mm

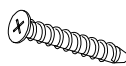
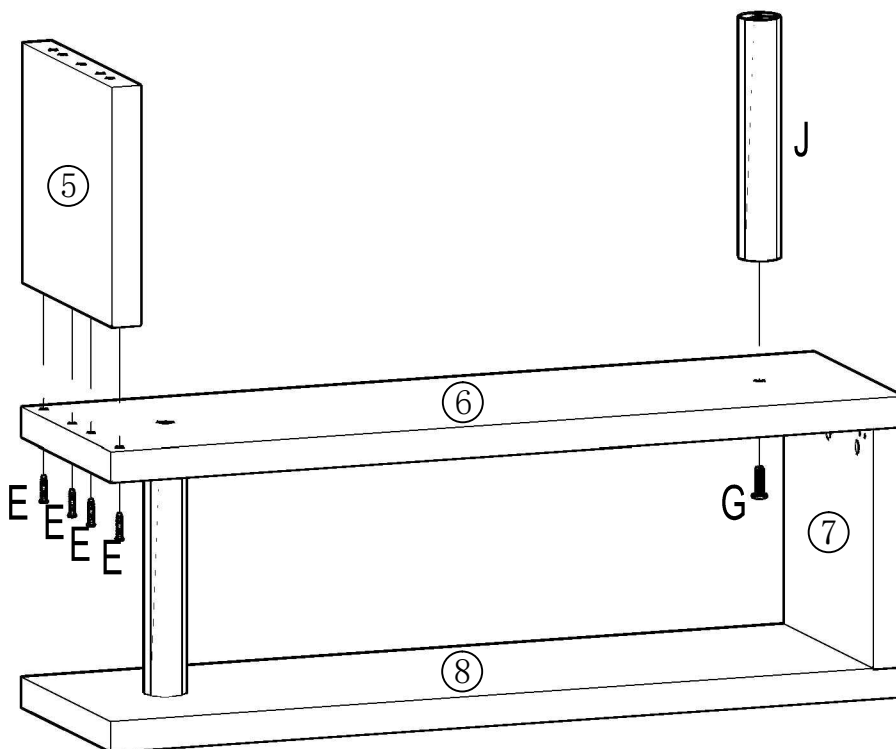
C | 2 PCS



M6\*45mm

G | 1 PCS

5



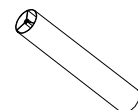
M7\*70mm

E | 4 PCS



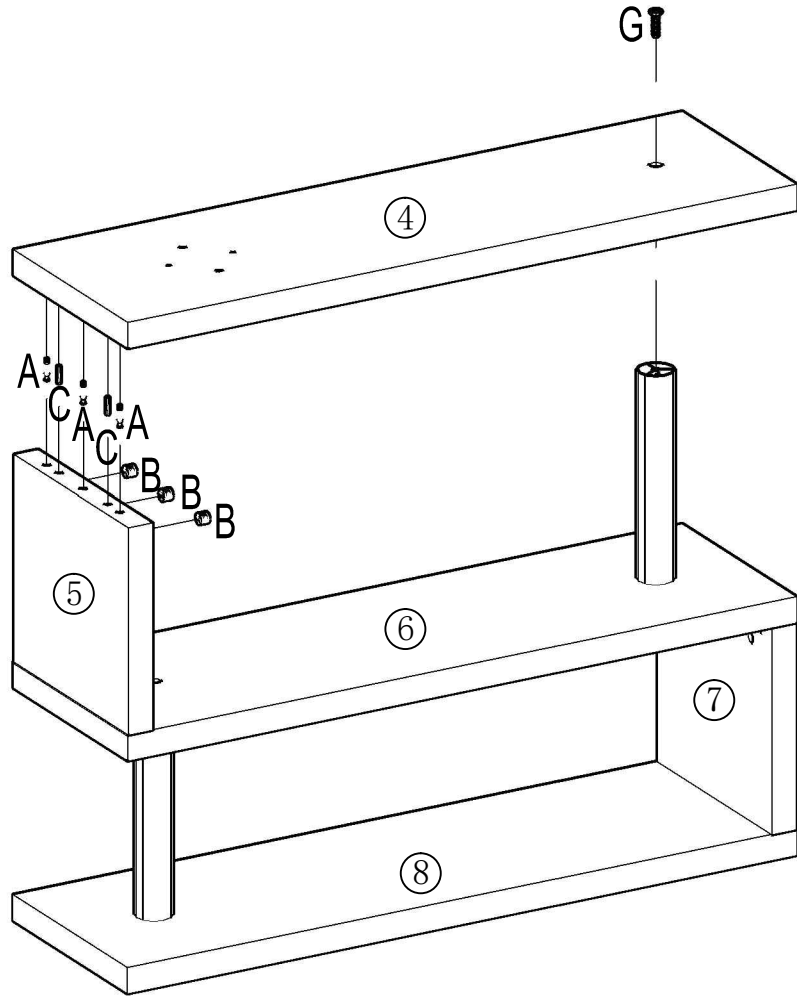
M6\*45mm

G | 1 PCS



J | 1 PCS

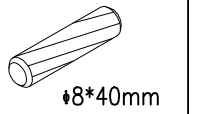
6



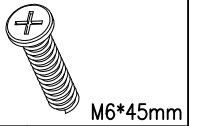
A 3 PCS



B 3 PCS

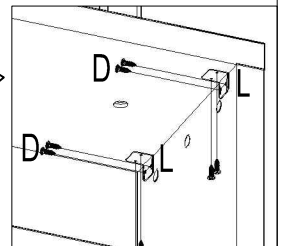
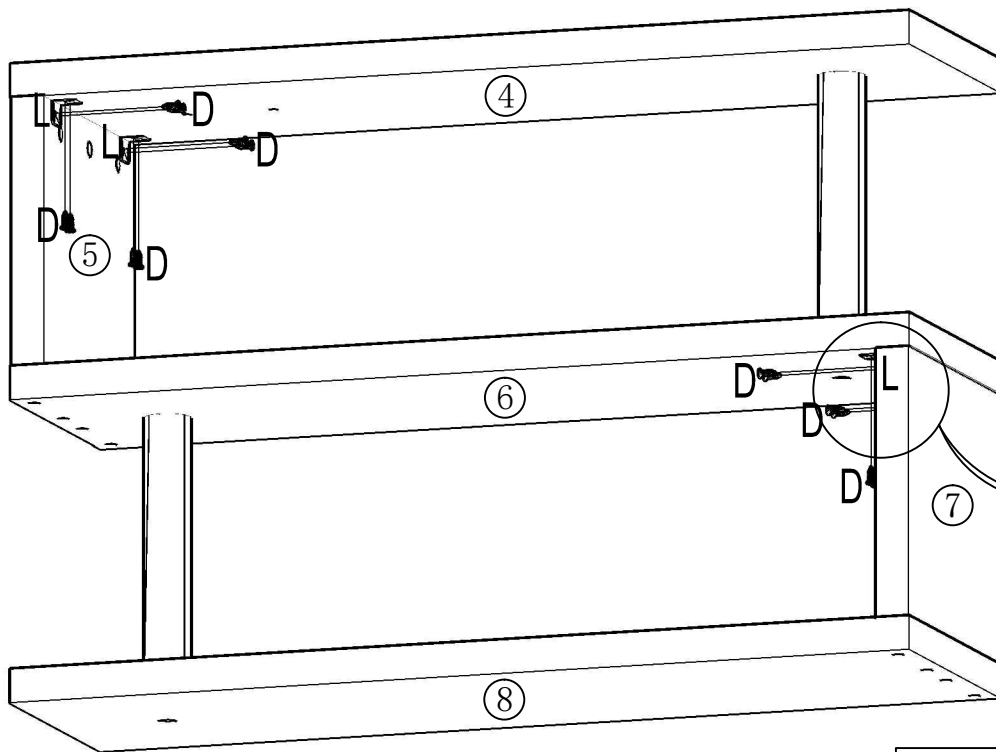


C 2 PCS



G 1 PCS

7



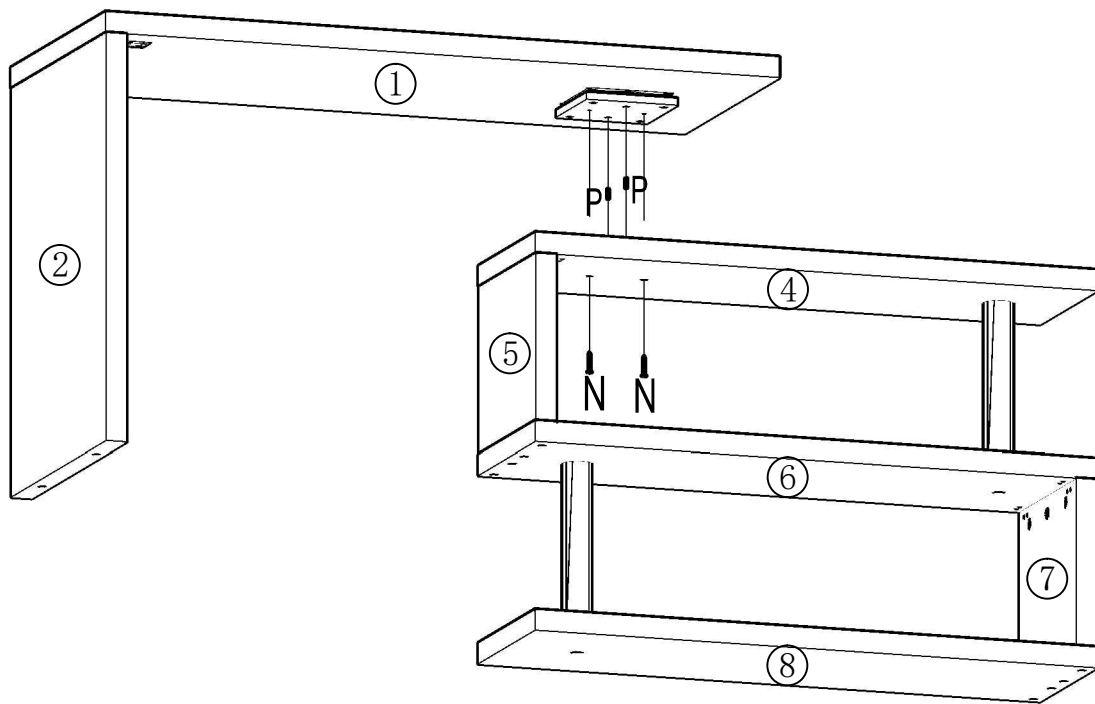
ST3.5\*14mm


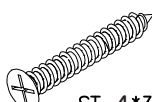


D 16 PCS

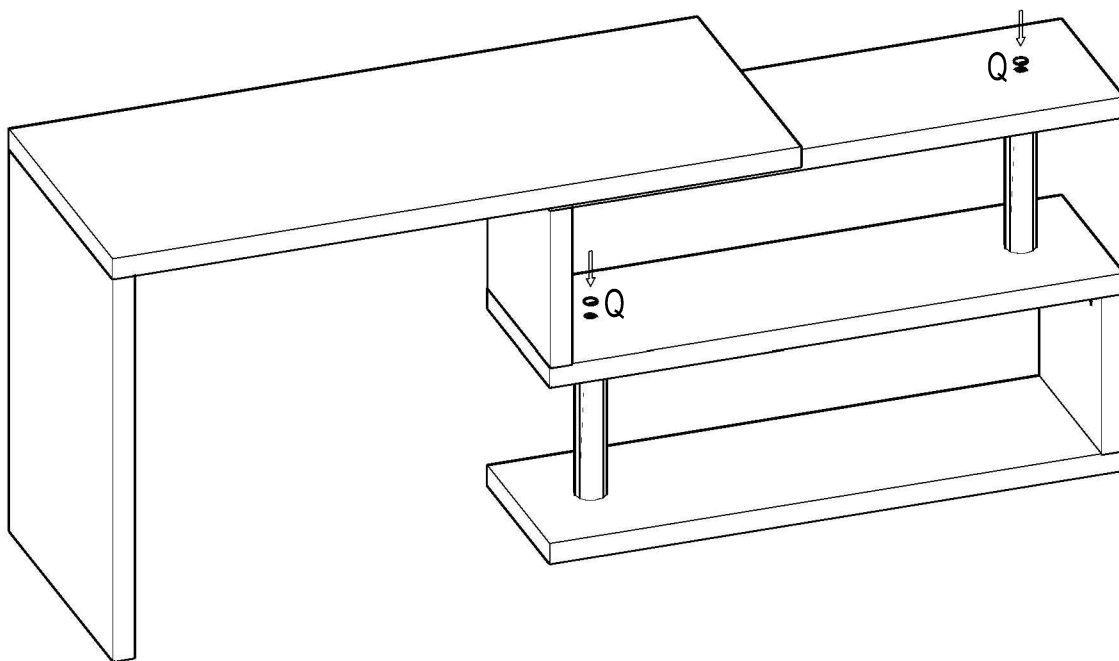
L 4 PCS


8



 M8*20mm		 ST 4*35mm	
P	2 PCS	N	2 PCS

9



	
Q	2 PCS