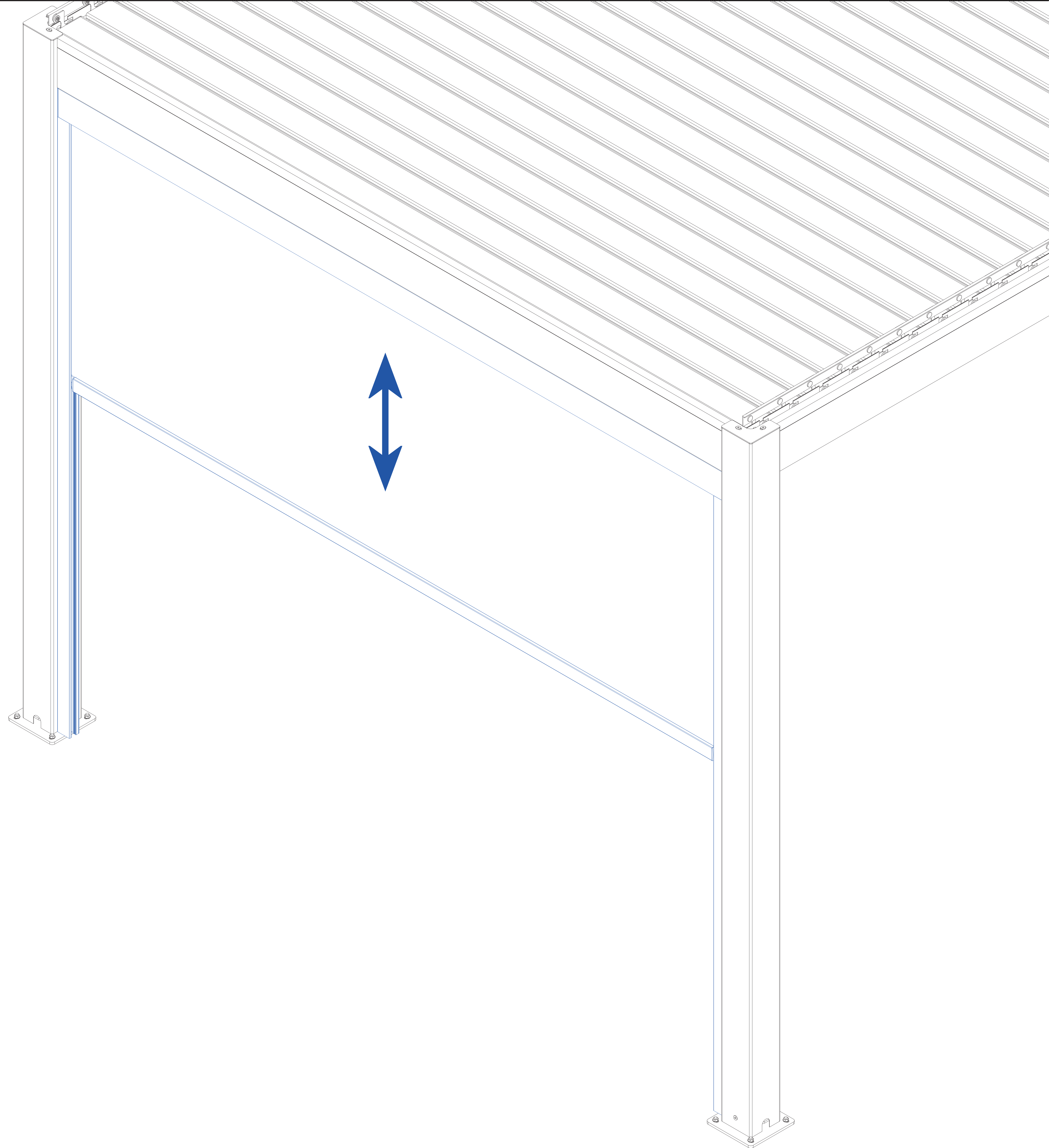




LIVING CULTURE

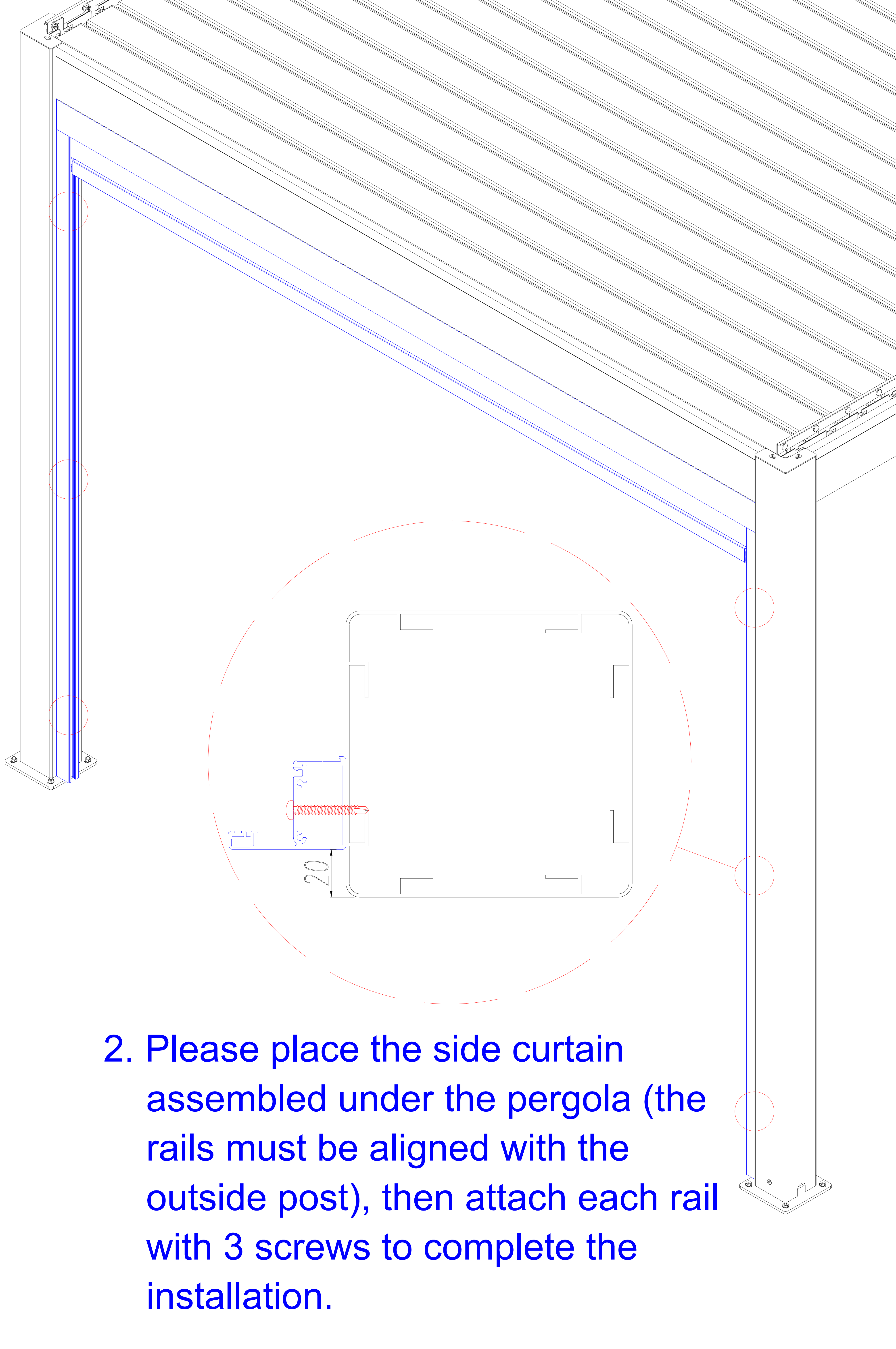


Manual ZipScreen Blinds





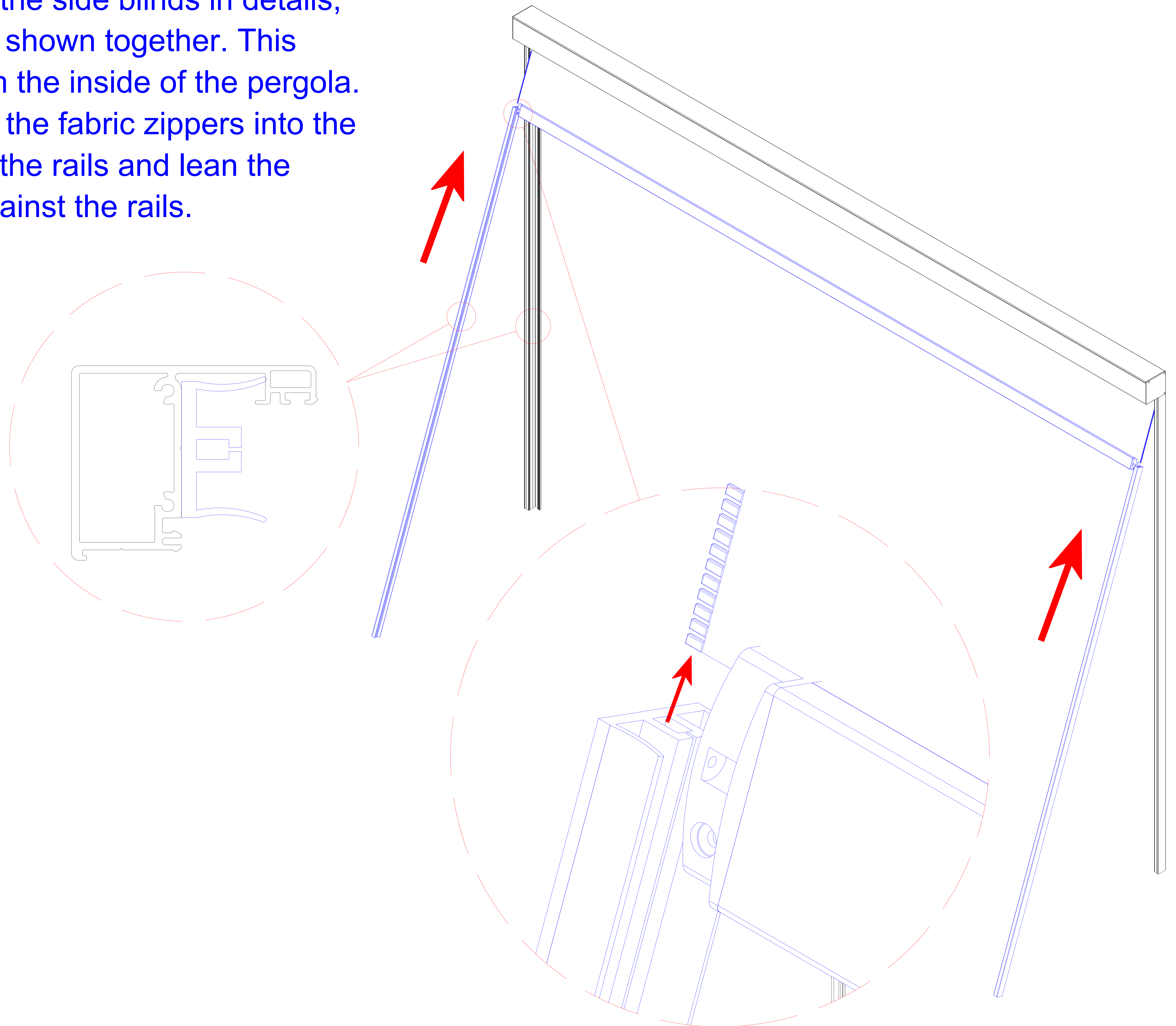
1. Please lift the support bar and the side curtain cover and insert the plastic part at both ends of the support bar in the rail.



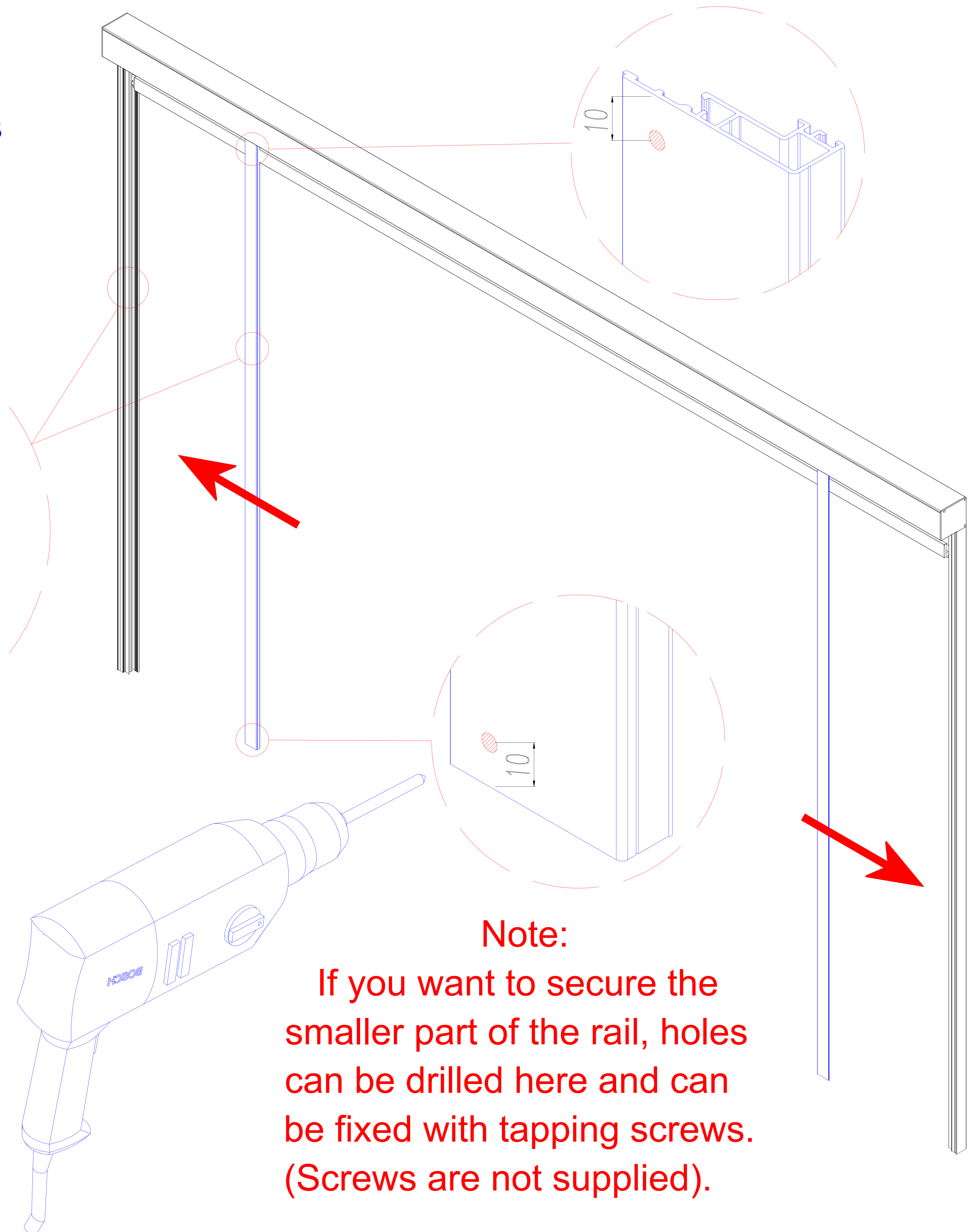
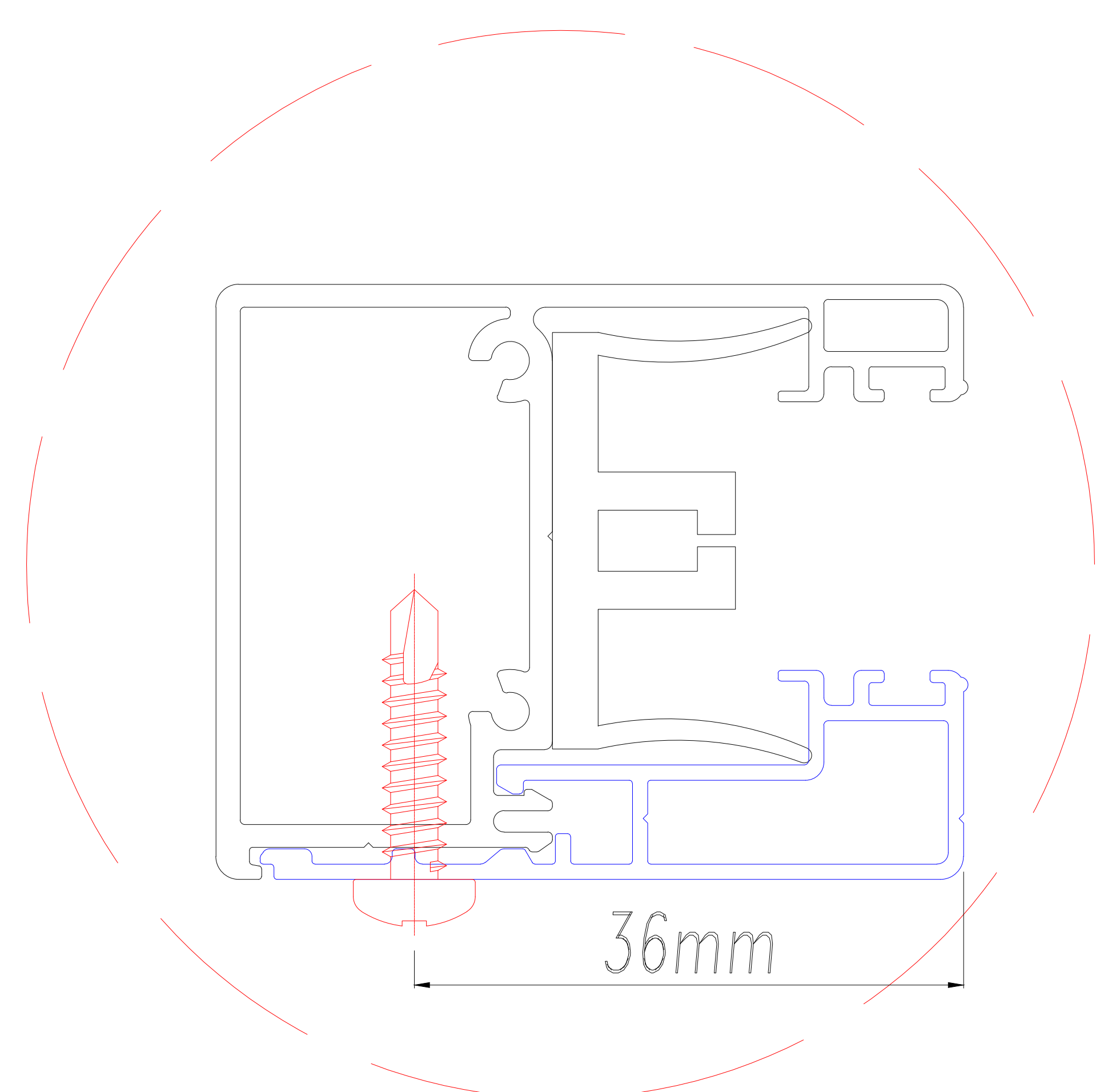
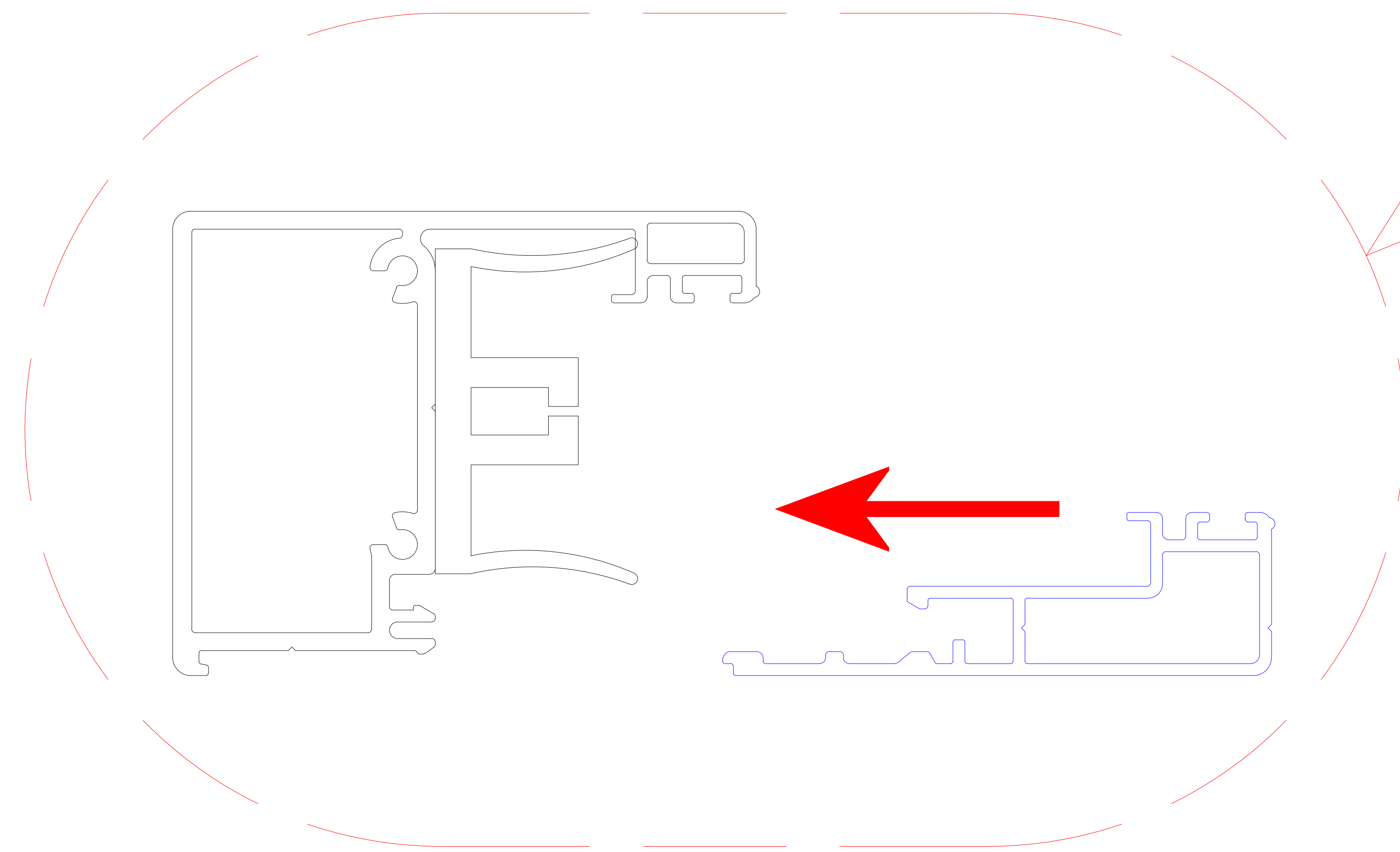
2. Please place the side curtain assembled under the pergola (the rails must be aligned with the outside post), then attach each rail with 3 screws to complete the installation.



3. In order to show the side blinds in details, pergola won't be shown together. This sight view is from the inside of the pergola.
4. As shown, insert the fabric zippers into the plastic runner of the rails and lean the plastic runner against the rails.



5. As shown, buckle the smaller part of the rail into the other bigger part of the rail.
6. Please do silicone sealant to all the gaps between the pergola frames and side screen frames so to ensure waterproof.



**Note:**  
If you want to secure the smaller part of the rail, holes can be drilled here and can be fixed with tapping screws. (Screws are not supplied).