



LIVING CULTURE

LASER CUT SCREEN FOR PERGOLA



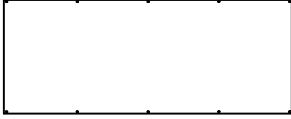
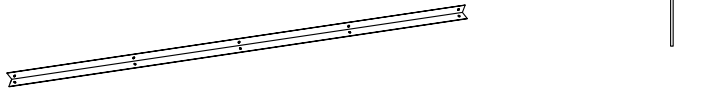
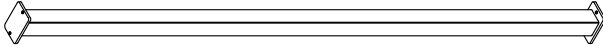

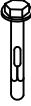

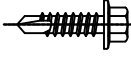


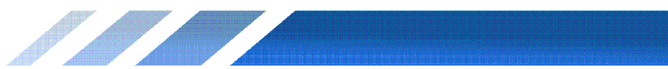
LIVING CULTURE

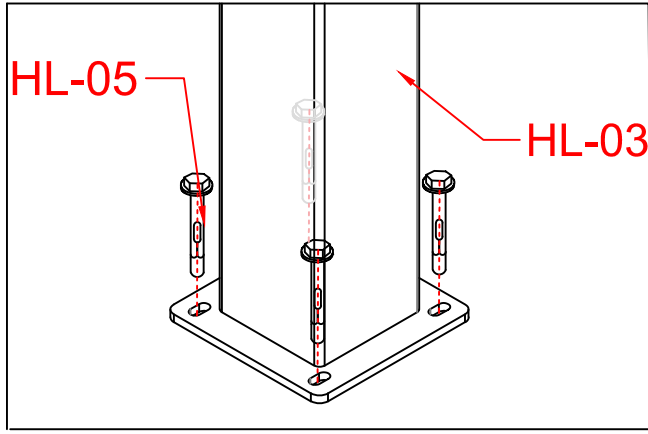
LASER CUT SCREEN FOR PERGOLA



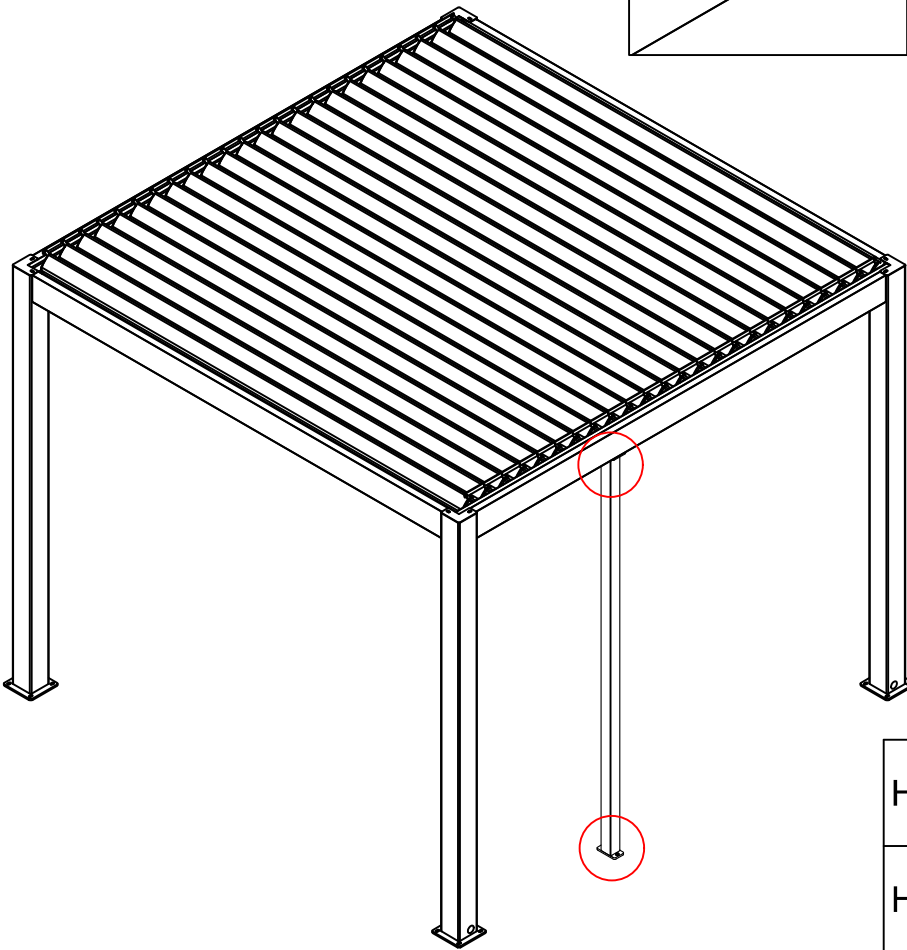
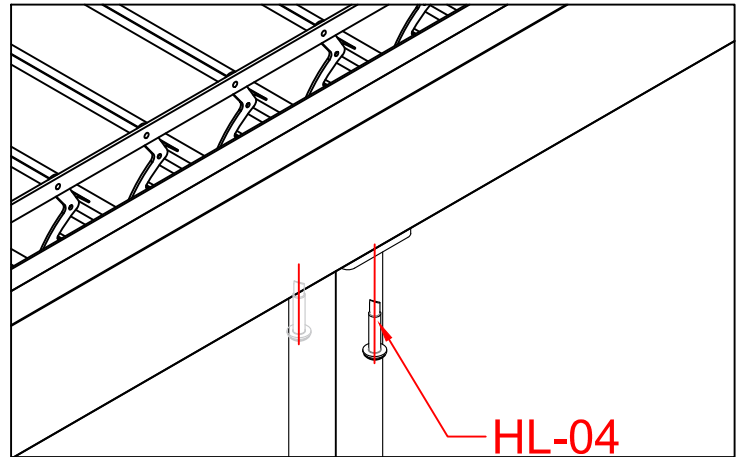





Item	Drawings
HL-01	
HL-02	
HL-03	
HL-04	
HL-05	
HL-06	
HL-07	

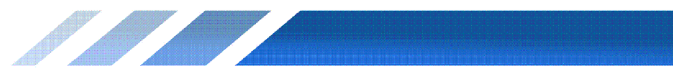




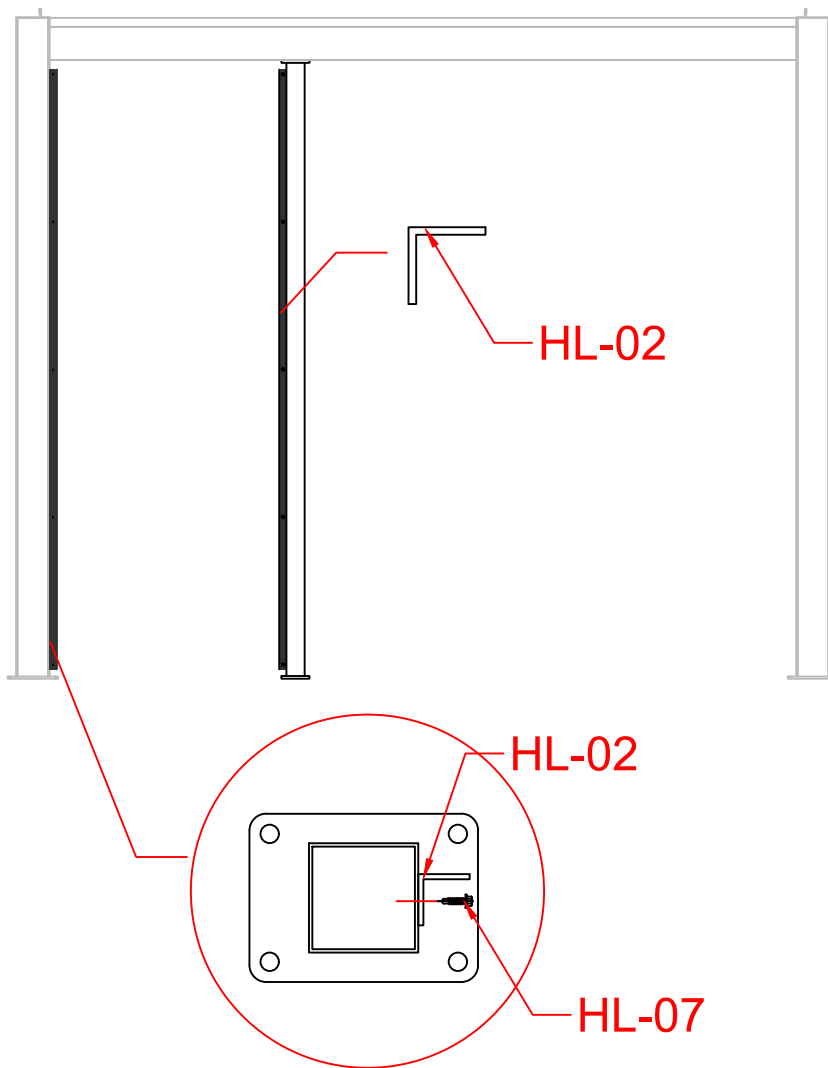
INSTALL POST



HL-03		1
HL-04		2
HL-05		4

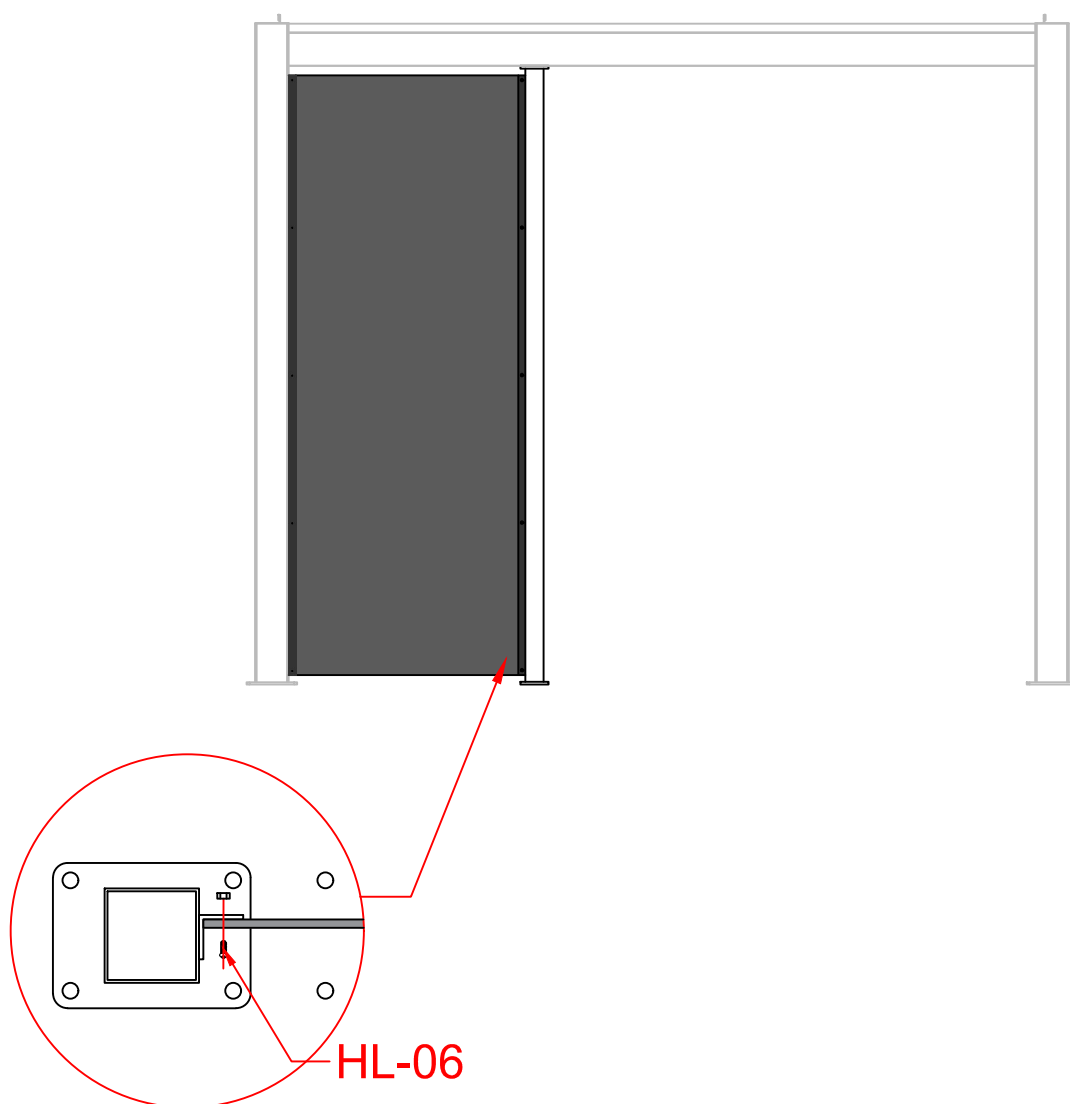


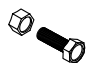
Screw aluminium angle to post.



HL-02		2
HL-07		X

Install panel to aluminum angle.



HL-06		X
-------	---	---